



**Count on it.**

**Parts Catalog**

**SnowMaster 724 QXE  
Snowthrower**

Model No. 36002—Serial No. 316000001 and Up



# Ordering Replacement Parts

To order replacement parts, please supply the part number, the quantity, and the description of each part desired.

## Understanding Reference Numbers

Each identified part in an illustration has a reference number. The reference number for a part also appears in the parts list, along with other information about the part.

This catalog uses two special reference number formats, one to indicate parts in a service assembly and another to indicate the quantity of a given part in an illustration.

## Service Assembly Reference Numbers

Parts in service assemblies have reference numbers in the form a:b. The a represents the reference number of the entire service assembly and the b represents a sequential number unique to each part within the service assembly.

For example, a wheel assembly might be identified by reference number 6, the tire by 6:1, the valve by 6:2, and the wheel by 6:3. When you order the assembly identified by reference number 6, you receive all parts identified by reference numbers 6:1, 6:2, and 6:3. However, you may also order any part individually. Reference numbers of this type appear in illustration and in parts lists.

## Reference Numbers Indicating Quantity

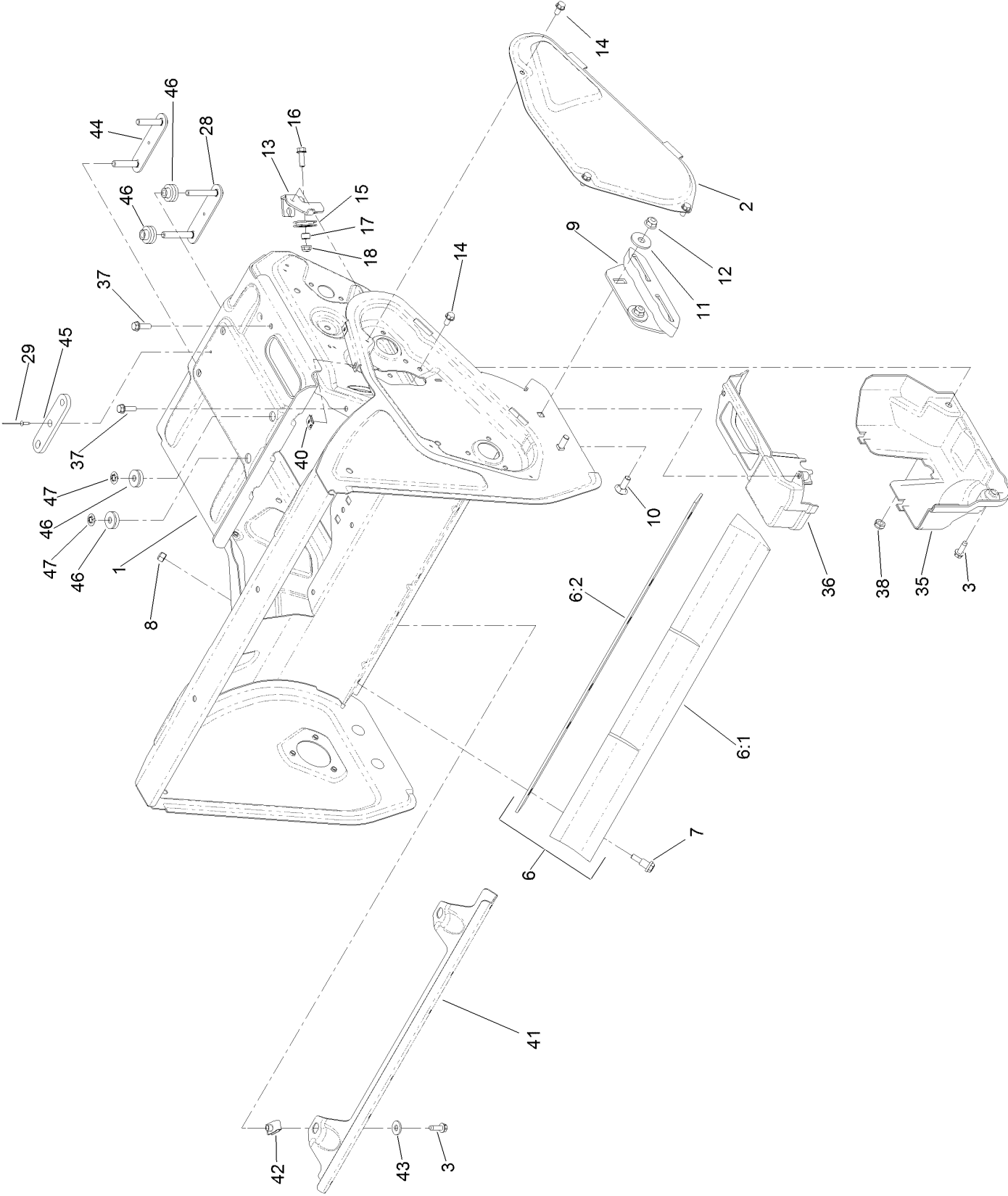
In an illustration, if a reference number indicates more than one part, the reference number has the form nX y. The n represents the quantity of the part, the X is the multiplication symbol, and the y represents the reference number.

For example, in an illustration, the reference number 2X 37 means that two of the parts identified by reference number 37 are indicated.

# Contents

Main Frame Assembly .....	4
Rotor Assembly .....	6
Rotor Drive Assembly .....	8
Transmission, Drive and Tire Assembly .....	10
Engine Assembly .....	12
Fuel System and Carburetor Assembly .....	14
Intake and Exhaust Assembly .....	16
Ignition and Electrical Assembly .....	18
Crankcase Assembly .....	20
Governor Assembly .....	22
Piston and Head Assembly .....	24
Blower Housing and Shrouds Assembly .....	26
Engine Decal Assembly .....	28
Chute Assembly .....	30
Chute Control Lever Assembly .....	32
Handle and Control Assembly .....	34
Attachments and Accessories .....	36

# Main Frame Assembly

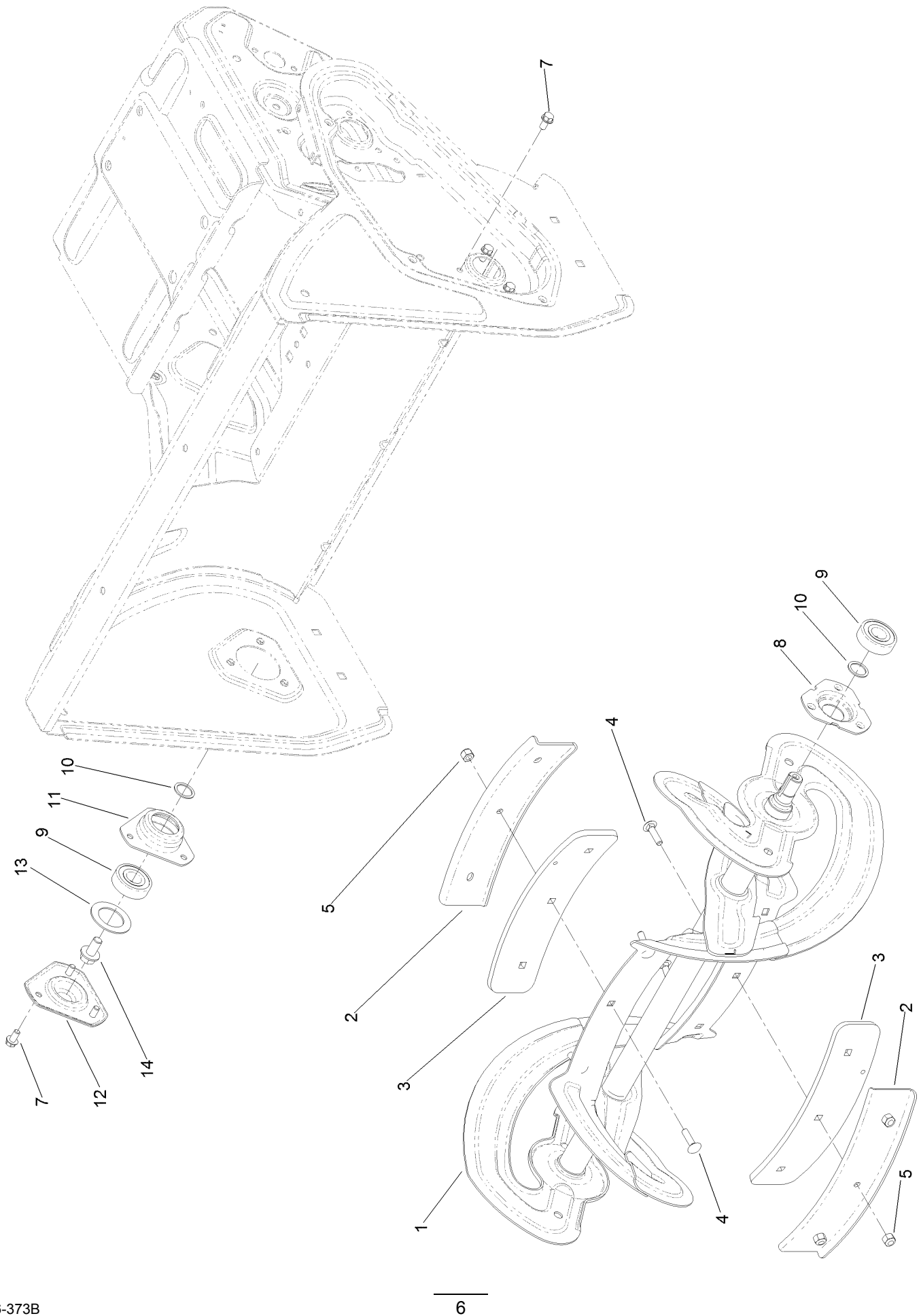


## Main Frame Assembly (continued)

<i>Ref.</i>	<i>Part Number</i>	<i>Qty.</i>	<i>Description</i>	<i>Ref.</i>	<i>Part Number</i>	<i>Qty.</i>	<i>Description</i>
1	130-9550-01	1	Frame	17	55-9370	1	Spacer-Blade, Rotor
2	130-9581-01	1	Cover-Belt	18	104-7201	1	Nut-HF
3	49-2040	3	Screw-HWHTF	28	130-9641	1	Plate-Stud, Front
6	130-9628	1	Scraper ASM	29	923786	1	Rivet
6:1		1	Blade-Scraper ●	35	131-1763	1	Cover-Belt, Lower
6:2		1	Foam-Scraper ●	36	131-1764	1	Cover-Belt, Upper
7	104-0858	6	Bolt-Shoulder	37	46-8091	2	Screw-HWH
8	3296-42	6	Nut-Lock, NI	38	3296-47	1	Nut-Lock, NI
9	130-9619	2	Skid ASM	40	107-1013	2	Nut-Speed, U-Type
10	3230-16	4	Screw-CARR	41	131-1797-01	1	Support-Frame, Lower
11	52-2861	4	Washer	42	107069	2	Clip
12	104-8300	4	Nut-HF, NI	43	3256-2	2	Washer-Flat
13	131-1793-03	1	Bracket-Cable	44	131-5947	1	Plate-Stud, Rear
14	32144-4	4	Screw-HWH	45	131-5944-01	1	Plate-Spacer
15	95-7949	1	Cable-Pulley	46	131-5945	2	Isolator-Engine
16	115-5103	1	Screw-HHF	47	109-5667	2	Ring-Retaining, Bolt

● Not serviced separately

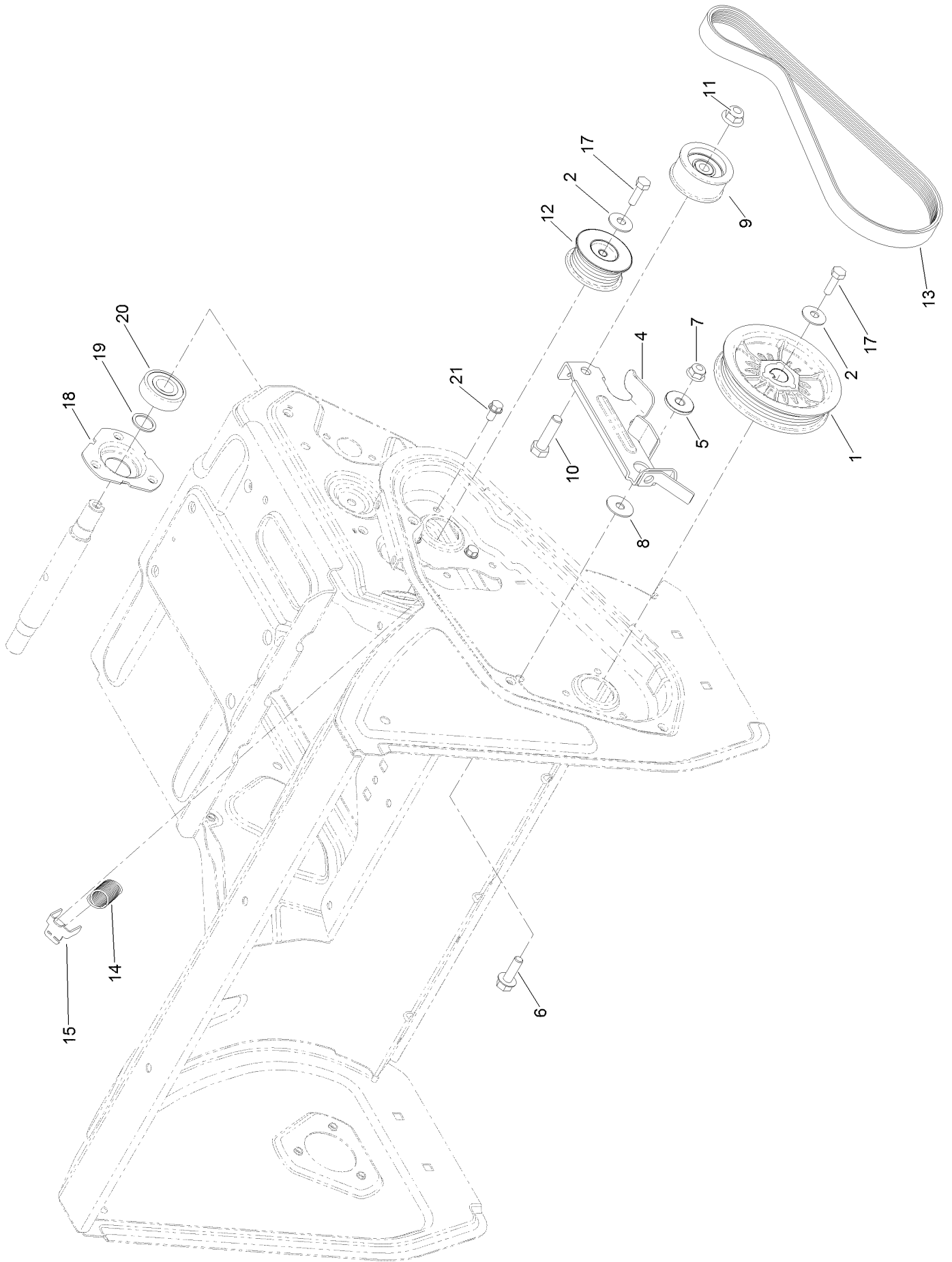
# Rotor Assembly



## Rotor Assembly (continued)

<i>Ref.</i>	<i>Part Number</i>	<i>Qty.</i>	<i>Description</i>	<i>Ref.</i>	<i>Part Number</i>	<i>Qty.</i>	<i>Description</i>
1	130-9571-03	1	Rotor ASM	9	100-1048	2	Bearing-Ball
2	130-9568-03	2	Support-Center, Rotor	10	52-7280	2	Washer-Thrust
3	130-9569	2	Paddle-Center	11	130-9557	1	Bearing-Retainer
4	3229-2	6	Screw-CARR	12	130-9558-01	1	Cap-Bearing
5	3296-42	6	Nut-Lock, NI	13	131-5905	1	Washer-Rubber
7	32144-4	6	Screw-HWH	14	110-9380	1	Screw-HWH
8	108-4943	1	Flange-Bearing				

# Rotor Drive Assembly

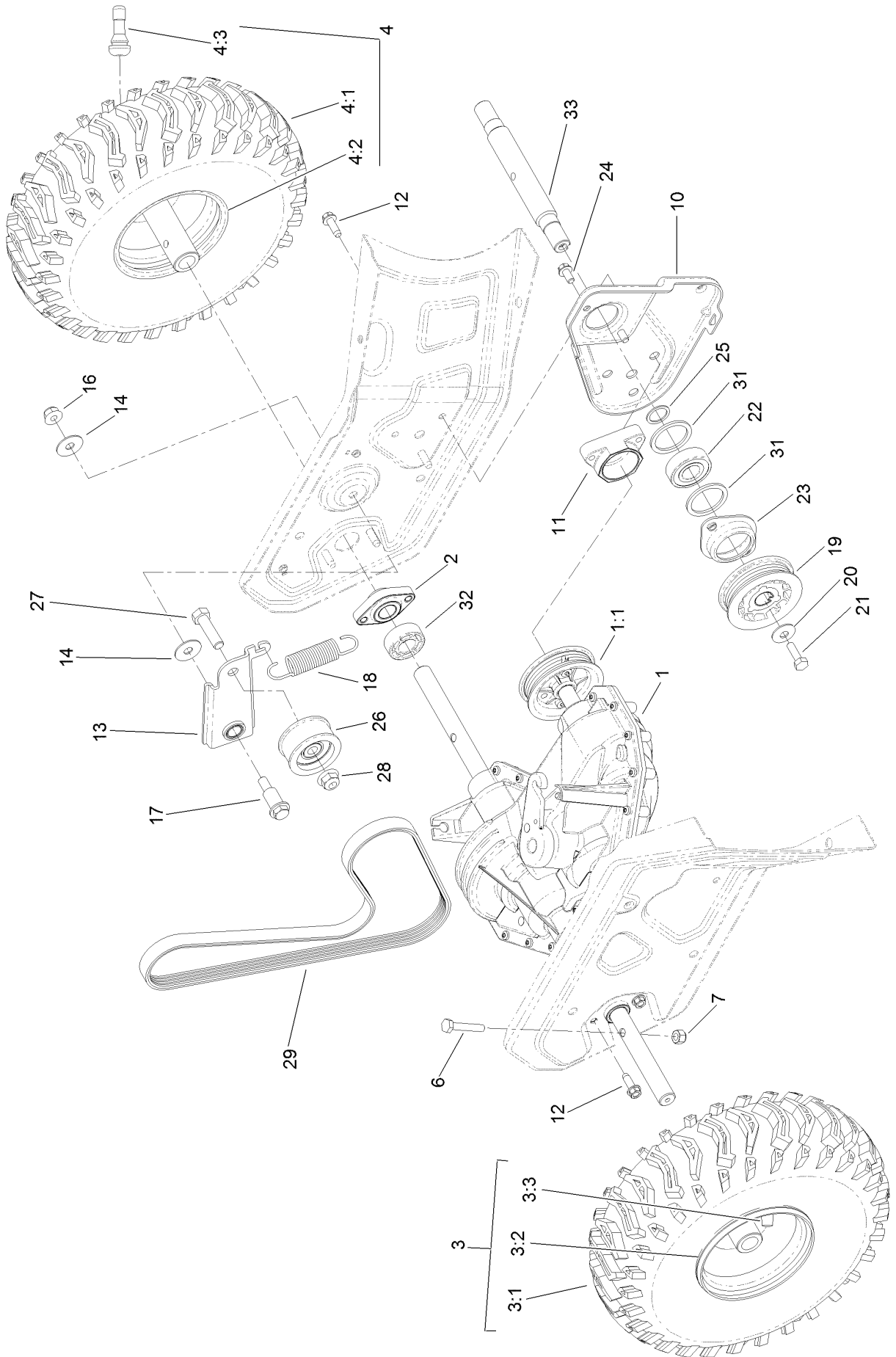




## Rotor Drive Assembly (continued)

<i>Ref.</i>	<i>Part Number</i>	<i>Qty.</i>	<i>Description</i>	<i>Ref.</i>	<i>Part Number</i>	<i>Qty.</i>	<i>Description</i>
1	130-9574	1	Pulley-Rotor	12	130-9577	1	Pulley-Jackshaft, Rotor
2	3290-456	2	Washer-Belleville	13	130-9615	1	Belt-V
4	131-5958	1	Arm-Clutch, Rotor	14	130-9572	1	Spring-Extension
5	117-7711	1	Bushing-Idler	15	108-4938	1	Clip-Spring, Brake
6	3234-29	1	Screw-HHF	17	9080046	2	Screw-HH
7	104-8300	1	Nut-HF, NI	18	108-4943	1	Flange-Bearing
8	108-4925	1	Washer	19	52-7280	1	Washer-Thrust
9	131-5929	1	Pulley-Idler, Flat	20	100-1048	1	Bearing-Ball
10	323-29	1	Screw-HH	21	32144-4	3	Screw-HWH
11	104-8301	1	Nut-HF, NI				

# Transmission, Drive and Tire Assembly



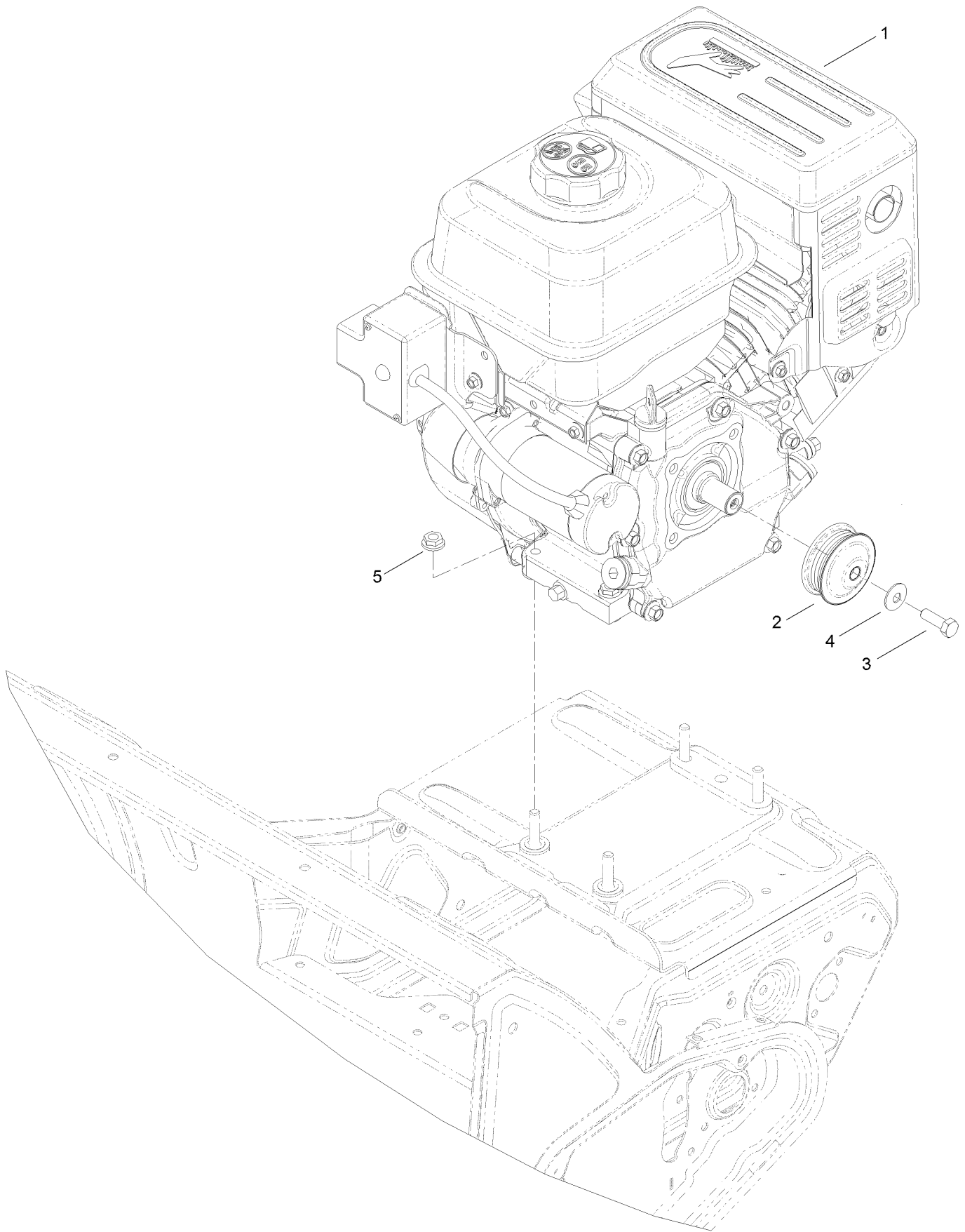
## Transmission, Drive and Tire Assembly (continued)

<i>Ref.</i>	<i>Part Number</i>	<i>Qty.</i>	<i>Description</i>	<i>Ref.</i>	<i>Part Number</i>	<i>Qty.</i>	<i>Description</i>
1	130-9642	1	Transmission	14	108-4925	2	Washer
1:1	131-5973	1	Pulley Repair Kit	16	104-8300	1	Nut-HF, NI
1:2	131-5984	1	Plug-Oil ●	17	131-1789	1	Bolt-Shoulder, HHF
2	130-9643	2	Bearing-Axle	18	130-9645	1	Spring-Extension
3		1	RH Wheel And Tire ASM ■	19	130-9583	1	Pulley-Jackshaft
3:1	130-9559	1	Tire	20	3290-456	1	Washer-Belleville
3:2	130-9560	1	Wheel	21	9080046	1	Screw-HH
3:3	232-27	1	Stem-Valve	22	100-1048	1	Bearing-Ball
4		1	LH Wheel And Tire ASM ■	23	130-9623	1	Retainer-Bearing
4:1	130-9559	1	Tire	24	32144-4	2	Screw-HWH
4:2	130-9560	1	Wheel	25	52-7280	1	Washer-Thrust
4:3	232-27	1	Stem-Valve	26	131-5929	1	Pulley-Idler, Flat
6	321-9	2	Screw-HH	27	323-29	1	Screw-HH
7	3296-42	2	Nut-Lock, NI	28	104-8301	1	Nut-HF, NI
10	130-9586-03	1	Plate-Support, Jackshaft	29	131-1750	1	Belt-V
11	131-1794	1	Support-Bearing	31	131-5904	2	Washer-Rubber
12	49-2040	7	Screw-HWHTF	32	131-5910	1	Spacer-Axle
13	131-1795	1	Idler-Traction	33	130-9585	1	Jackshaft

● Not illustrated

■ Not serviced separately

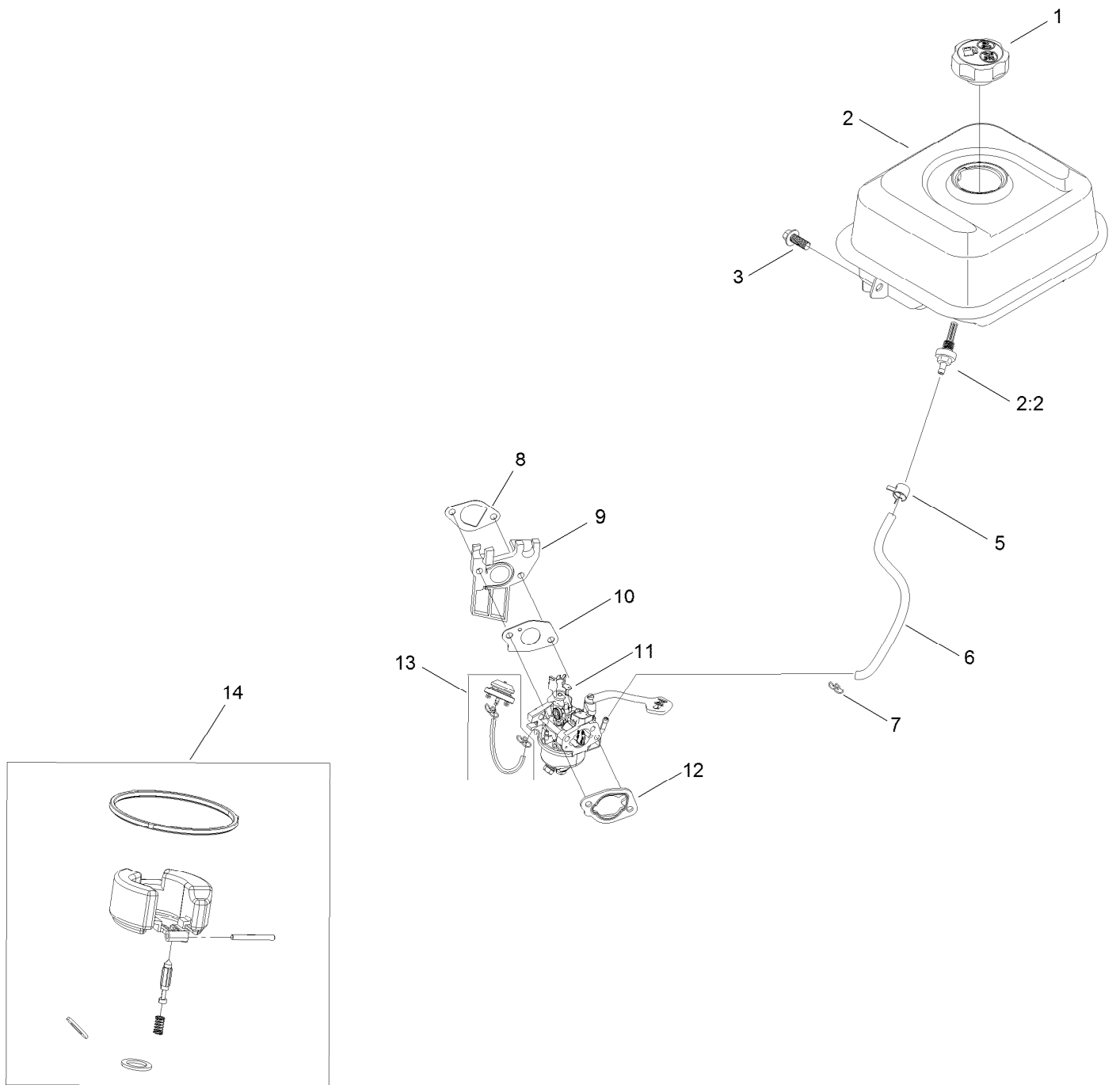
# Engine Assembly



## Engine Assembly (continued)

<i>Ref.</i>	<i>Part Number</i>	<i>Qty.</i>	<i>Description</i>	<i>Ref.</i>	<i>Part Number</i>	<i>Qty.</i>	<i>Description</i>
1	127-9171	1	Engine-G210Fds-2	4	3290-456	1	Washer-Belleville
2	131-5908	1	Pulley-Engine	5	32128-20	4	Nut-HF
3	131-5919	1	Screw-HH, Patch				

# Fuel System and Carburetor Assembly

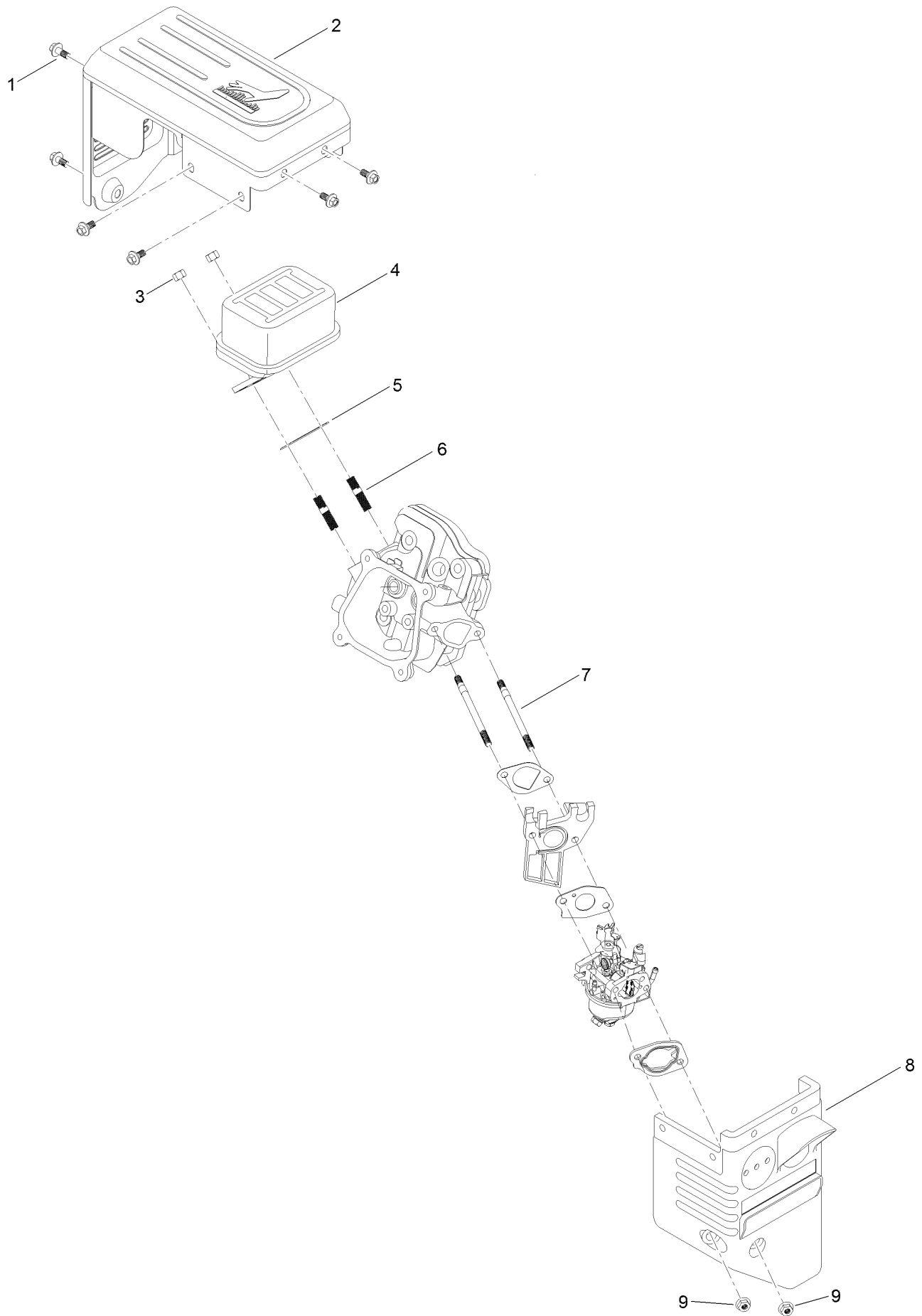


## Fuel System and Carburetor Assembly (continued)

<i>Ref.</i>	<i>Part Number</i>	<i>Qty.</i>	<i>Description</i>	<i>Ref.</i>	<i>Part Number</i>	<i>Qty.</i>	<i>Description</i>
1	127-9365	1	Cap-Fuel (Phase 3)	9	121-0077	1	Insulator-Carburetor
2	127-9497	1	Fuel Tank And Filter ASM	10	121-0078	1	Gasket-Carburetor
2:2	127-9065	1	Filter-Fuel	11	127-9111	1	Carburetor ASM
3	121-0294	1	Screw-HHF	12	121-0080	1	Gasket-Carburetor
5	127-9120	1	Clamp-Hose	13	127-9079	1	Primer Kit
6	127-9403	1	Hose-Fuel	14	127-9394	1	Internal Carb Service Kit
7	121-0087	1	Clamp-Hose	99	127-9301	1	High Altitude Kit - G210 ●
8	121-0076	1	Gasket-Carburetor				

● Not illustrated

# Intake and Exhaust Assembly

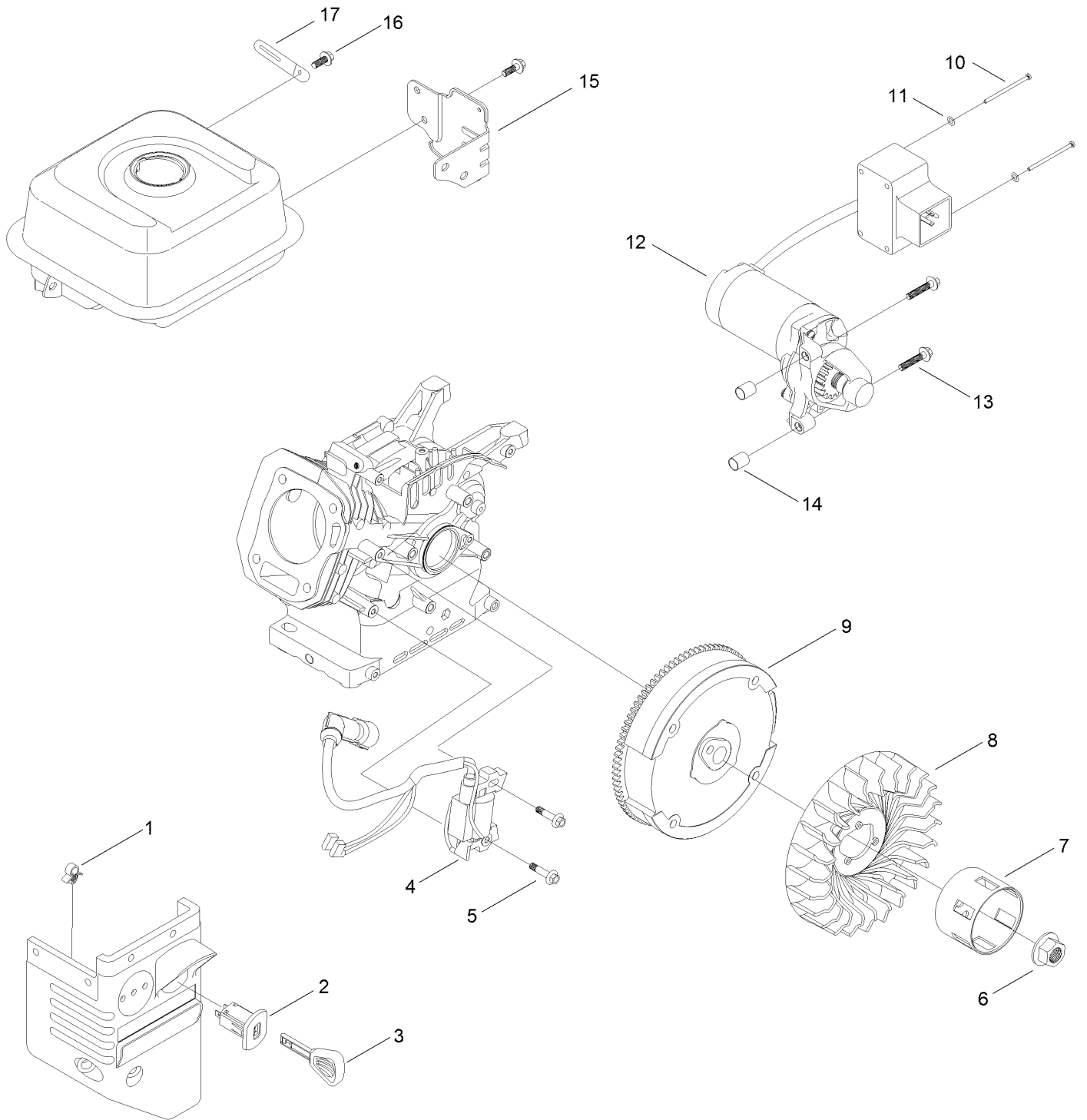




## Intake and Exhaust Assembly (continued)

<i>Ref.</i>	<i>Part Number</i>	<i>Qty.</i>	<i>Description</i>	<i>Ref.</i>	<i>Part Number</i>	<i>Qty.</i>	<i>Description</i>
1	121-0294	6	Screw-HHF	6	121-0464	2	Stud-Exhaust
2	127-9405	1	Guard-Muffler	7	121-4112	2	Stud-Intake
3	121-0199	2	Nut-HH	8	127-9112	1	Box-Heater
4	127-9404	1	Muffler ASM	9	121-0308	2	Nut-Flange
5	121-0167	1	Gasket-Exhaust				

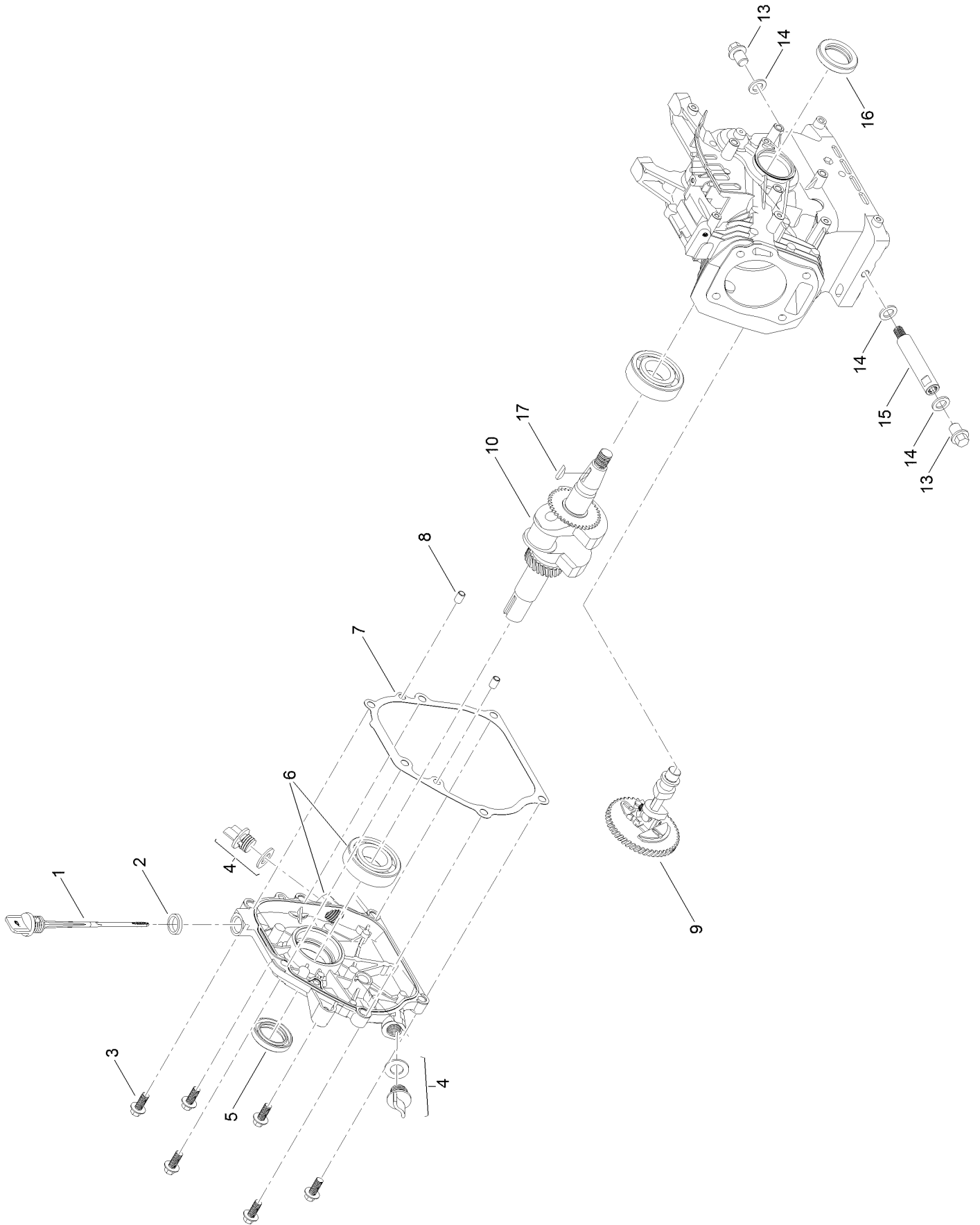
# Ignition and Electrical Assembly



## Ignition and Electrical Assembly (continued)

<i>Ref.</i>	<i>Part Number</i>	<i>Qty.</i>	<i>Description</i>	<i>Ref.</i>	<i>Part Number</i>	<i>Qty.</i>	<i>Description</i>
1	121-0326	1	Clip	10	121-0306	2	Screw-Bhp
2	121-0283	1	Switch-Key	11	121-0312	2	Washer-Plain
3	117-7728	1	Key	12	127-9122	1	Motor-Starter
4	127-9105	1	Ignition Coil ASM	13	127-9382	2	Screw-HHF
5	121-0097	2	Screw-HHF	14	121-0055	2	Pin-Dowel
6	121-0047	1	Nut-Flange	15	127-9407	1	Bracket-Box, Switch
7	127-9106	1	Cup-Starter	16	127-9123	2	Screw-HHF
8	127-9002	1	Fan	17	121-0017	1	Clip-Harness, Wire
9	127-9005	1	Flywheel				

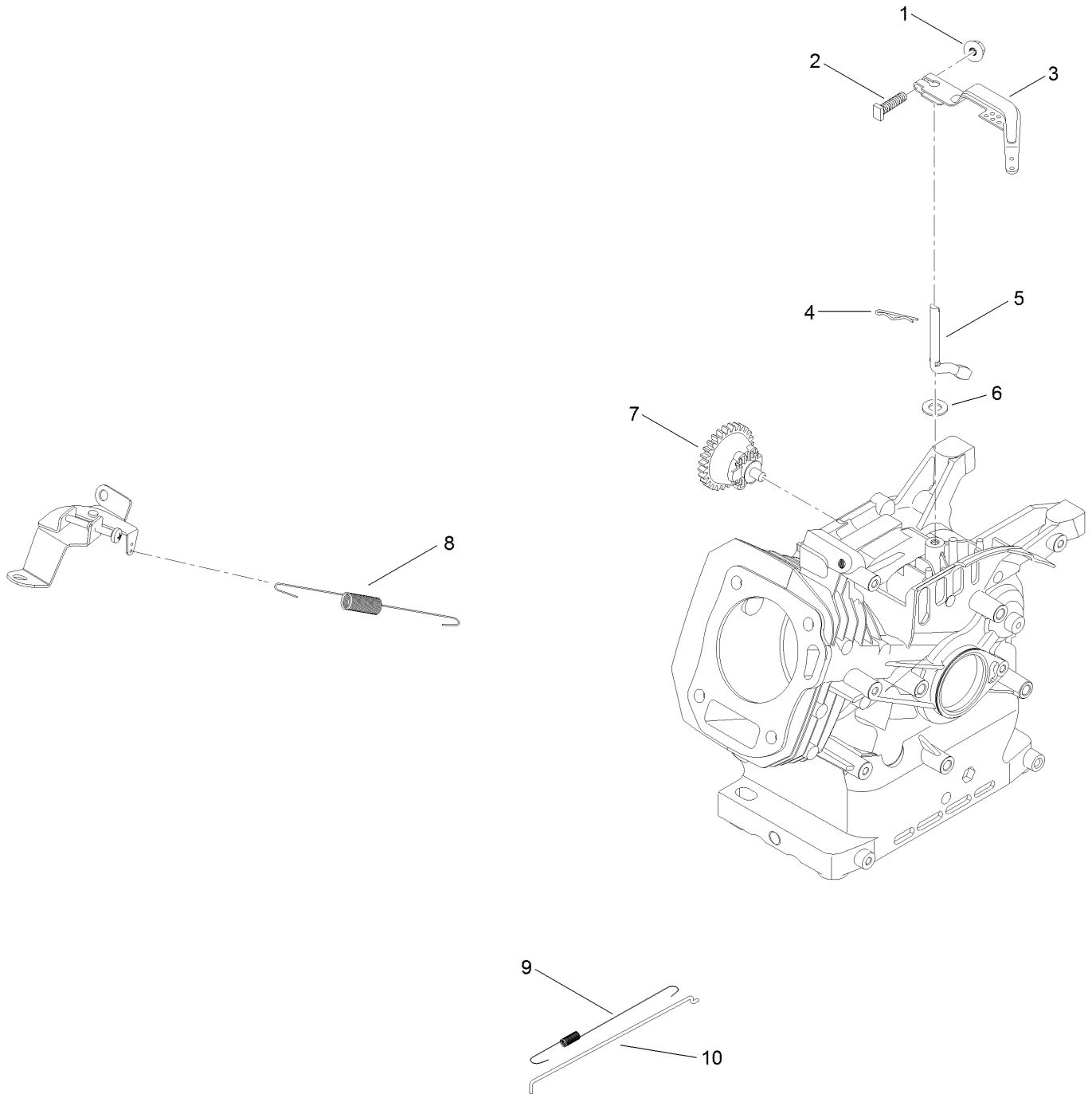
# Crankcase Assembly



## Crankcase Assembly (continued)

<i>Ref.</i>	<i>Part Number</i>	<i>Qty.</i>	<i>Description</i>	<i>Ref.</i>	<i>Part Number</i>	<i>Qty.</i>	<i>Description</i>
1	127-9409	1	Dipstick-Oil	9	127-9377	1	Camshaft
2	127-9492	1	Gasket-Dipstick, Rubber	10	127-9399	1	Crankshaft
3	121-4114	6	Screw-HHF	13	121-0030	2	Screw-HHF
4	127-9099	2	Oil Cap ASM	14	121-0048	3	Washer-Plain
5	121-0209	1	Seal-Oil	15	127-9104	1	Tube-Drain, Oil
6	133-1561	1	Crankcase Cover ASM	16	121-0208	1	Seal-Oil
7	121-0105	1	Gasket-Cover, Crankcase	17	120-4320	1	Key-Woodruff
8	121-0054	2	Pin-Dowel				

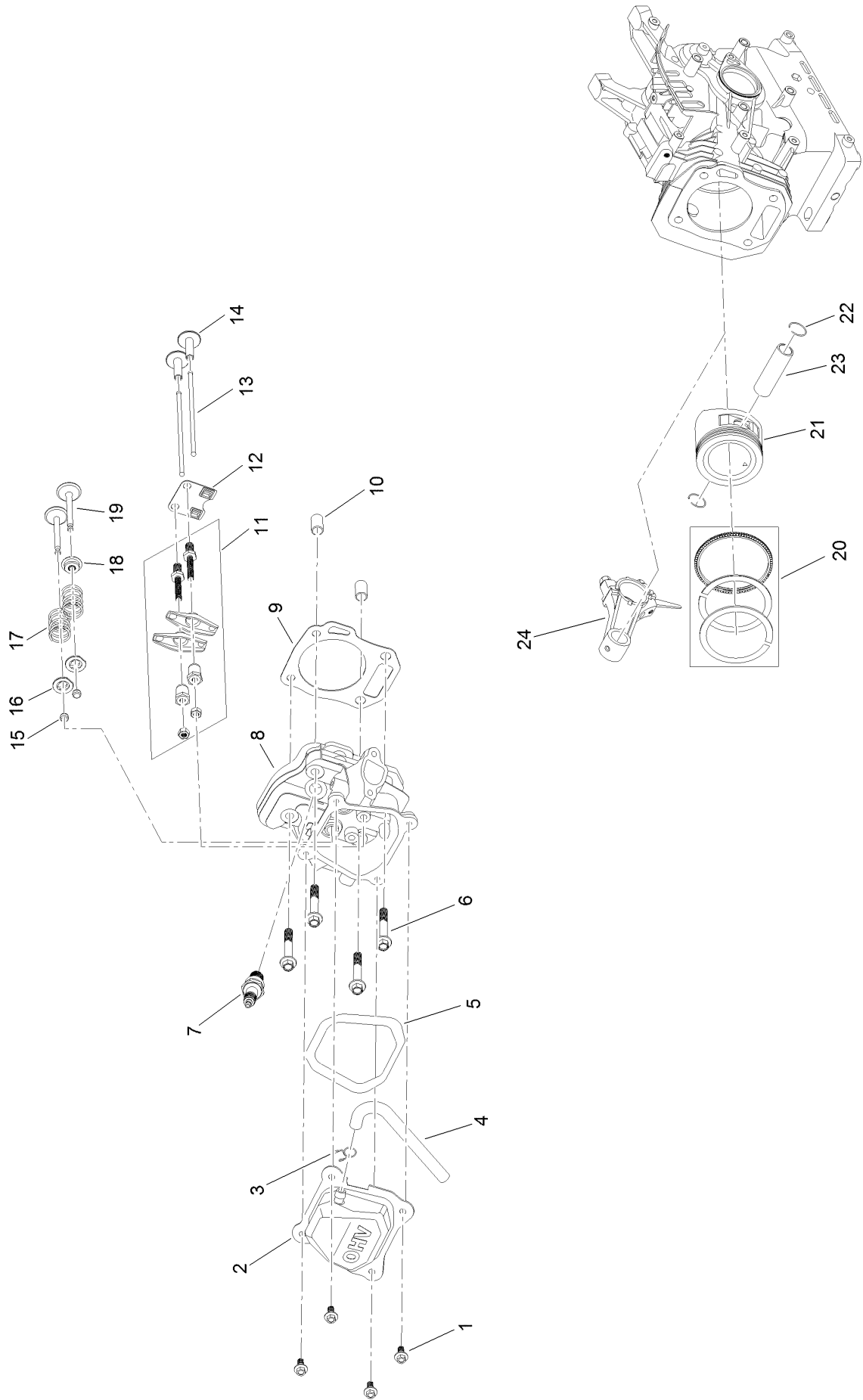
# Governor Assembly



## Governor Assembly (continued)

<i>Ref.</i>	<i>Part Number</i>	<i>Qty.</i>	<i>Description</i>	<i>Ref.</i>	<i>Part Number</i>	<i>Qty.</i>	<i>Description</i>
1	120-4236	1	Nut-Flange	6	121-0498	1	Washer-Plain
2	120-4238	1	Bolt-Arm, Governor	7	127-9101	1	Governor Gear ASM
3	121-0155	1	Arm-Governor	8	127-9398	1	Spring-Governor
4	120-4256	1	Pin-Hair	9	121-0153	1	Spring-Return, Throttle
5	121-4131	1	Shaft-Governor	10	121-0148	1	Rod-Governor

# Piston and Head Assembly

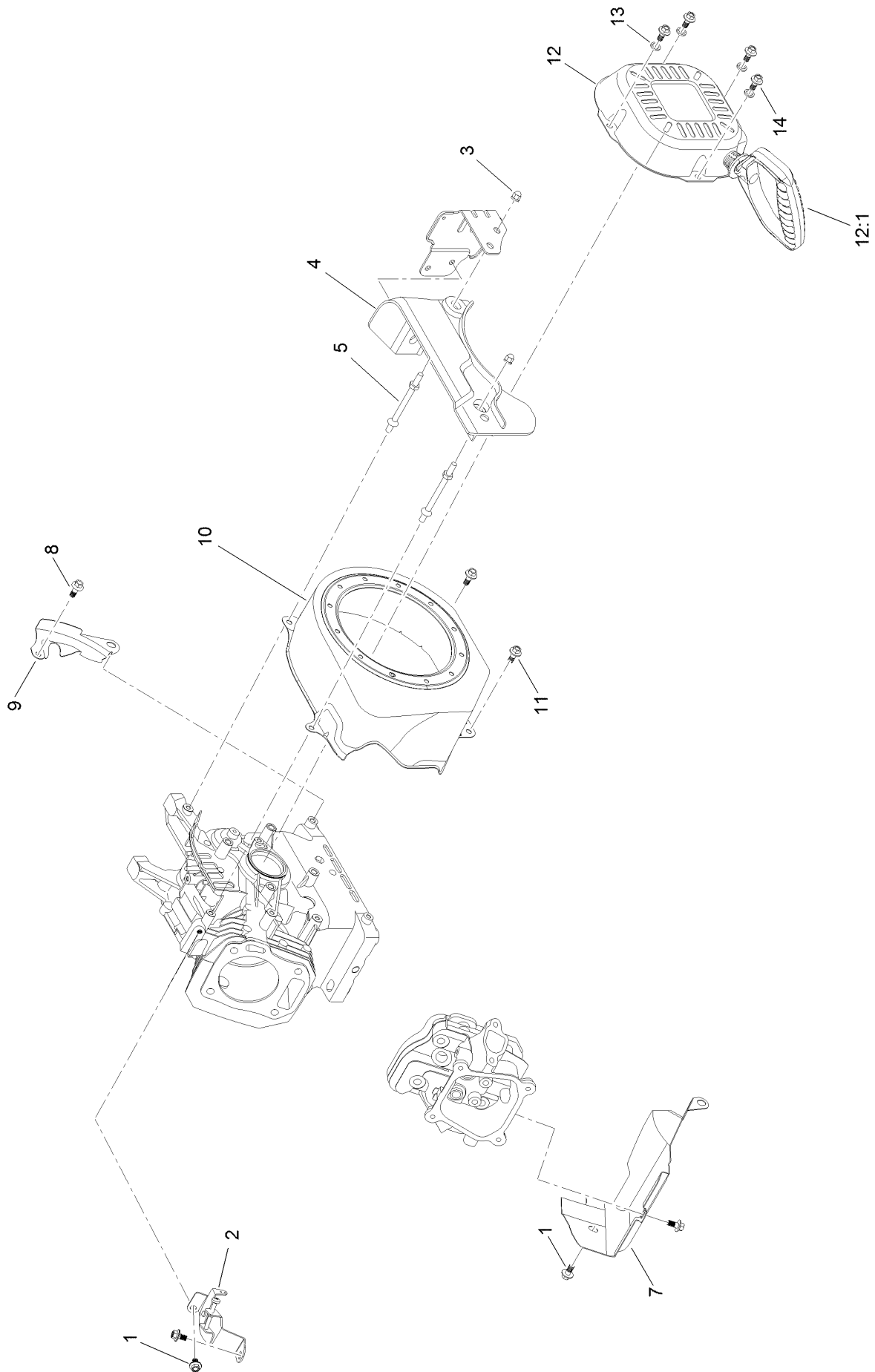




## Piston and Head Assembly (continued)

<i>Ref.</i>	<i>Part Number</i>	<i>Qty.</i>	<i>Description</i>	<i>Ref.</i>	<i>Part Number</i>	<i>Qty.</i>	<i>Description</i>
1	120-4454	4	Screw-HHF	13	121-4121	1	Rod-Push
2	127-9094	1	Cover-Valve	14	127-9015	2	Tappet-Valve
3	127-9408	1	Clamp-Hose	15	121-4116	2	Rotator-Valve
4	127-9095	1	Tube-Breather	16	121-4117	2	Retainer-Spring, Valve
5	121-0109	1	Gasket-Cover, Valve	17	127-9014	2	Spring-Valve
6	121-4110	4	Screw-HHF	18	121-4202	1	Seal-Stem, Valve
7	81-3250	1	Spark Plug	19	127-9016	1	Valve Set
8	127-9013	1	Head-Cylinder	20	121-4295	1	Ring Set, Piston
9	127-9000	1	Gasket-Head, Cylinder	21	121-4293	1	Piston
10	121-0053	2	Pin-Dowel	22	121-0313	2	Clip-Pin, Piston
11	120-4475	1	Rocker Arm ASM	23	121-4128	1	Pin-Piston
12	121-4120	1	Plate-Guide, Push Rod	24	127-9017	1	Connecting Rod ASM

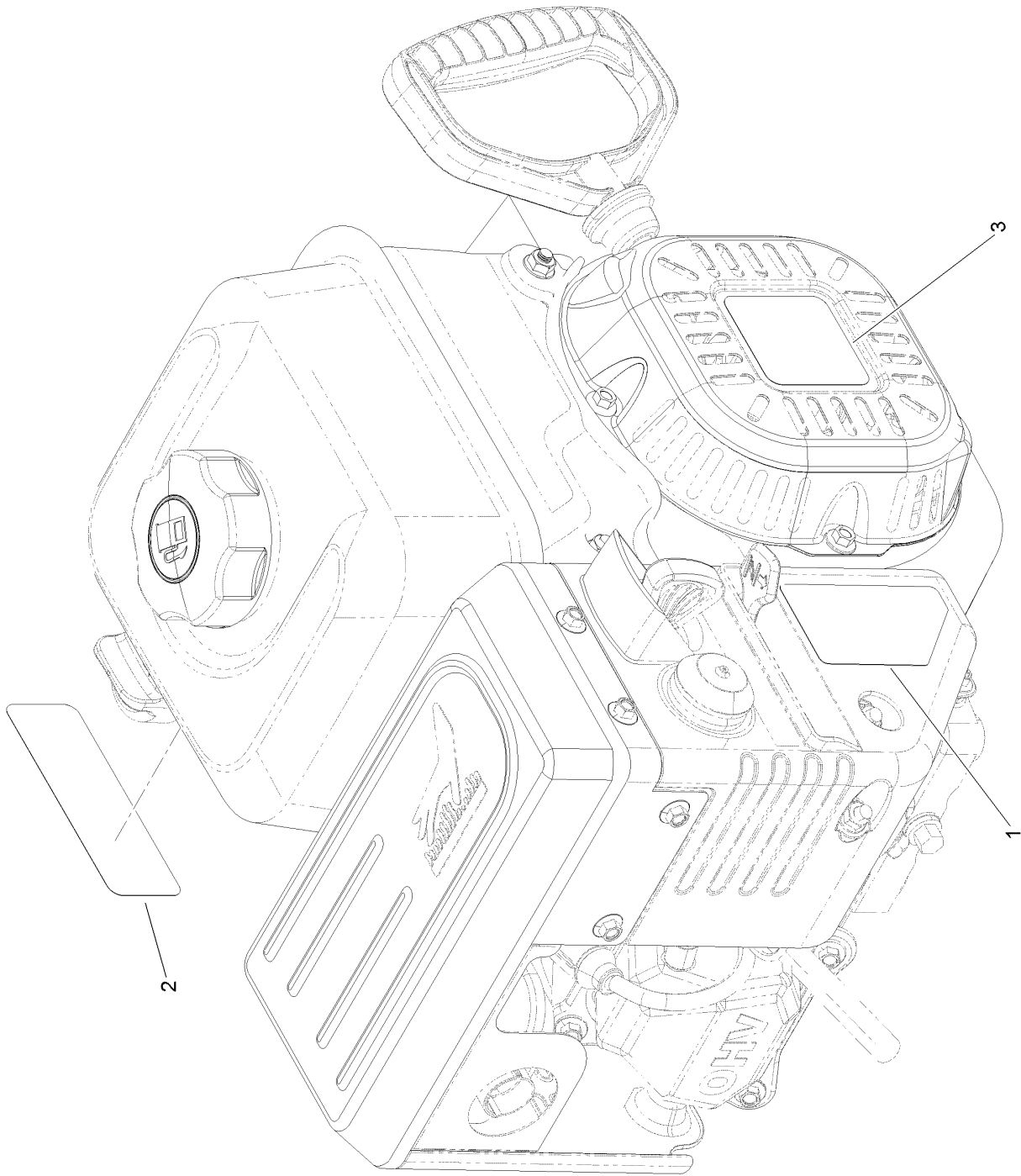
# Blower Housing and Shrouds Assembly



## Blower Housing and Shrouds Assembly (continued)

<i>Ref.</i>	<i>Part Number</i>	<i>Qty.</i>	<i>Description</i>	<i>Ref.</i>	<i>Part Number</i>	<i>Qty.</i>	<i>Description</i>
1	121-0118	4	Screw-HHF	9	127-9121	1	Shield-Flywheel
2	127-9396	1	Speed Control ASM	10	127-9401	1	Shroud-Blower
3	127-9383	2	Nut-Acorn	11	121-0294	2	Screw-HHF
4	127-9406	1	Panel-Front	12	127-9402	1	Recoil Starter ASM
5	127-9110	2	Stud-Mount	12:1	121-0287	1	Handle-Recoil
7	127-9096	1	Shroud-Lower	13	127-9380	4	Washer-Plain
8	120-4454	1	Screw-HHF	14	127-9031	4	Screw-HHF

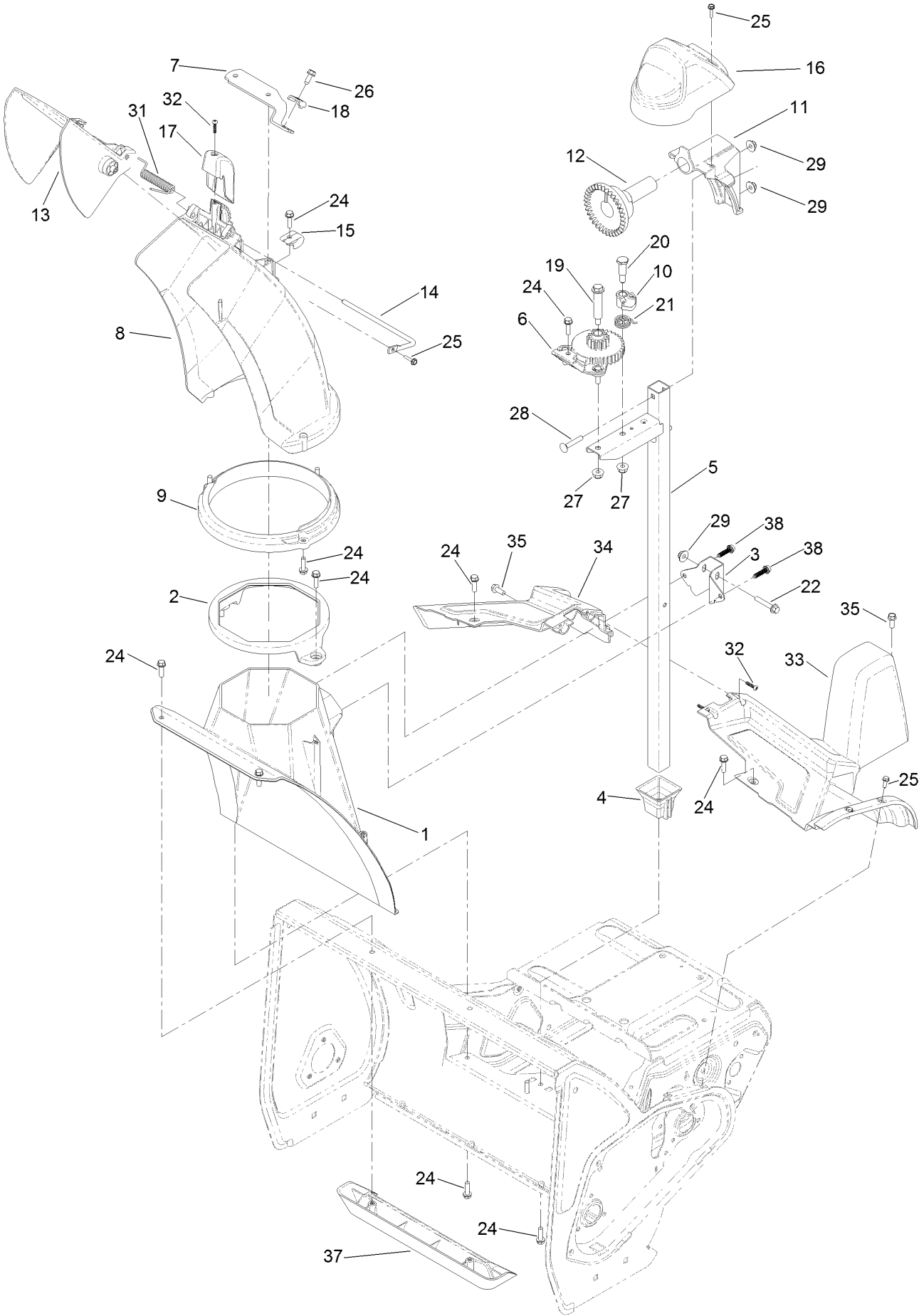
# Engine Decal Assembly



## Engine Decal Assembly (continued)

<i>Ref.</i>	<i>Part Number</i>	<i>Qty.</i>	<i>Description</i>
1	120-9805	1	Decal-Control, Engine
2	120-9806	1	Decal-Engine, Series G210
3	120-9809	1	Decal-Recoil, G210

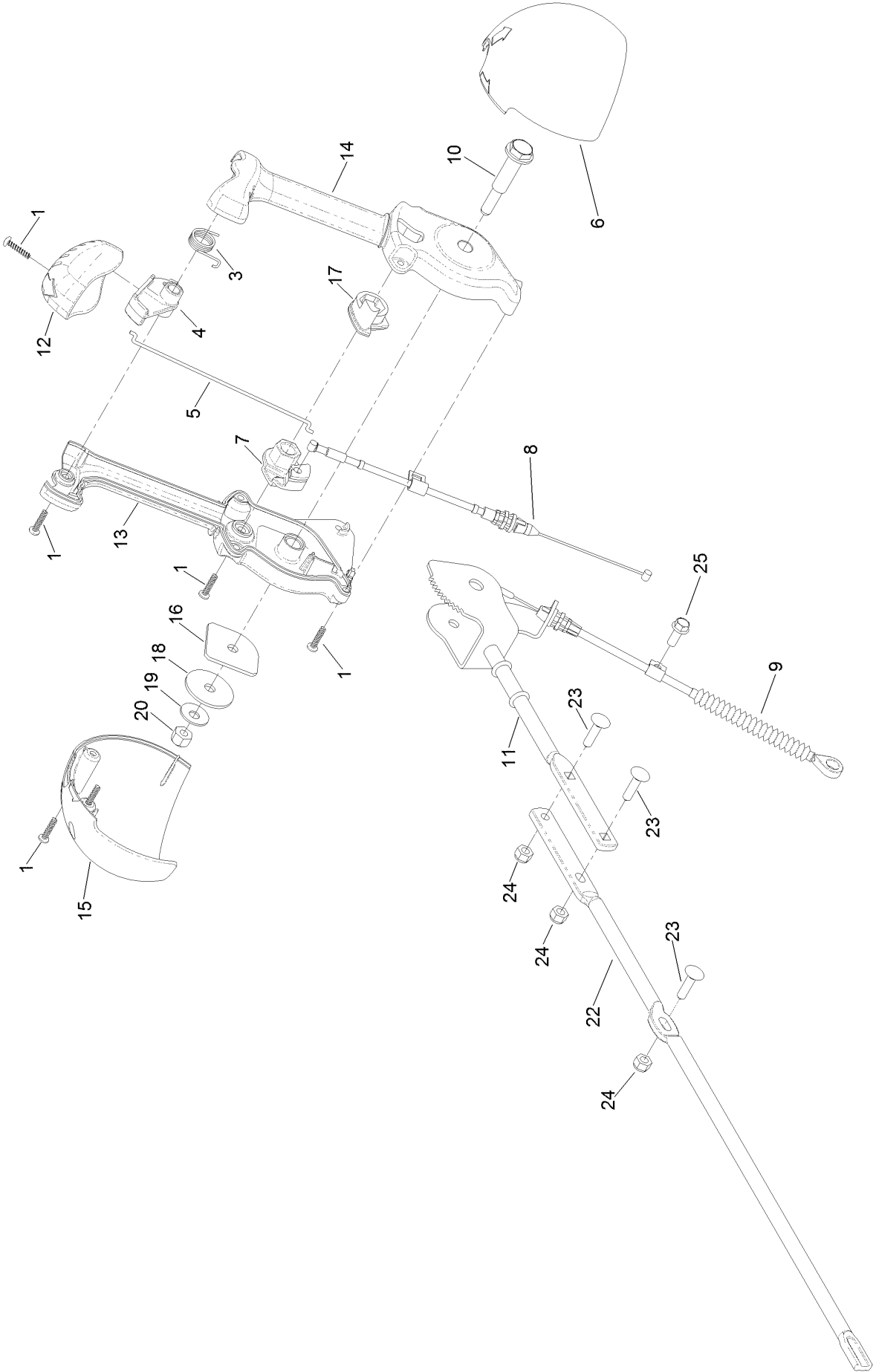
# Chute Assembly



## Chute Assembly (continued)

<i>Ref.</i>	<i>Part Number</i>	<i>Qty.</i>	<i>Description</i>	<i>Ref.</i>	<i>Part Number</i>	<i>Qty.</i>	<i>Description</i>
1	130-9587	1	Chute-Lower	19	100-9880	1	Bolt-Shoulder
2	130-9588	1	Guide-Chute	20	63-2650	1	Screw-Shoulder
3	130-9589-03	1	Bracket-Post, Support (Chute)	21	130-9616	1	Spring-Torsion, Latch (Chute)
4	130-9590	1	Retainer- Post, Chute	22	131-5927	1	Screw-HHF
5	130-9603-03	1	Post-Chute	24	46-8091	17	Screw-HWH
6	130-9605	1	Gear-Chute	25	98-1375	5	Screw-HWH
7	130-9606	1	Bracket-Cable	26	32144-10	1	Screw-HWH
8	130-9595	1	Chute-Snow, ASM	27	104-8300	2	Nut-HF, NI
9	130-9596	1	Ring-Chute	28	108-0988	2	Screw-CARR
10	130-9607	1	Latch-Chute	29	114-3778	3	Nut-HF
11	130-9608	1	Mount-Gear, Chute	31	120-9298	1	Spring-Torsion
12	106-4471	1	Gear-Face	32	94-4496	3	Screw-PPH
13	131-5915	1	Deflector-Chute	33	131-1754	1	Shroud-Upper, LH
14	121-6826	1	Rod-Deflector	34	131-1765	1	Shroud-Lower, RH
15	130-9609	1	Guide-Cable	35	32144-85	2	Screw-HWH
16	130-9611	1	Cover-Gear, Chute	37	131-1768	1	Kicker-Housing
17	120-9299	1	Chute-Cover	38	130-6658	2	Screw-Flange, Plastic
18	106-7297	1	Clamp-Cable				

# Chute Control Lever Assembly

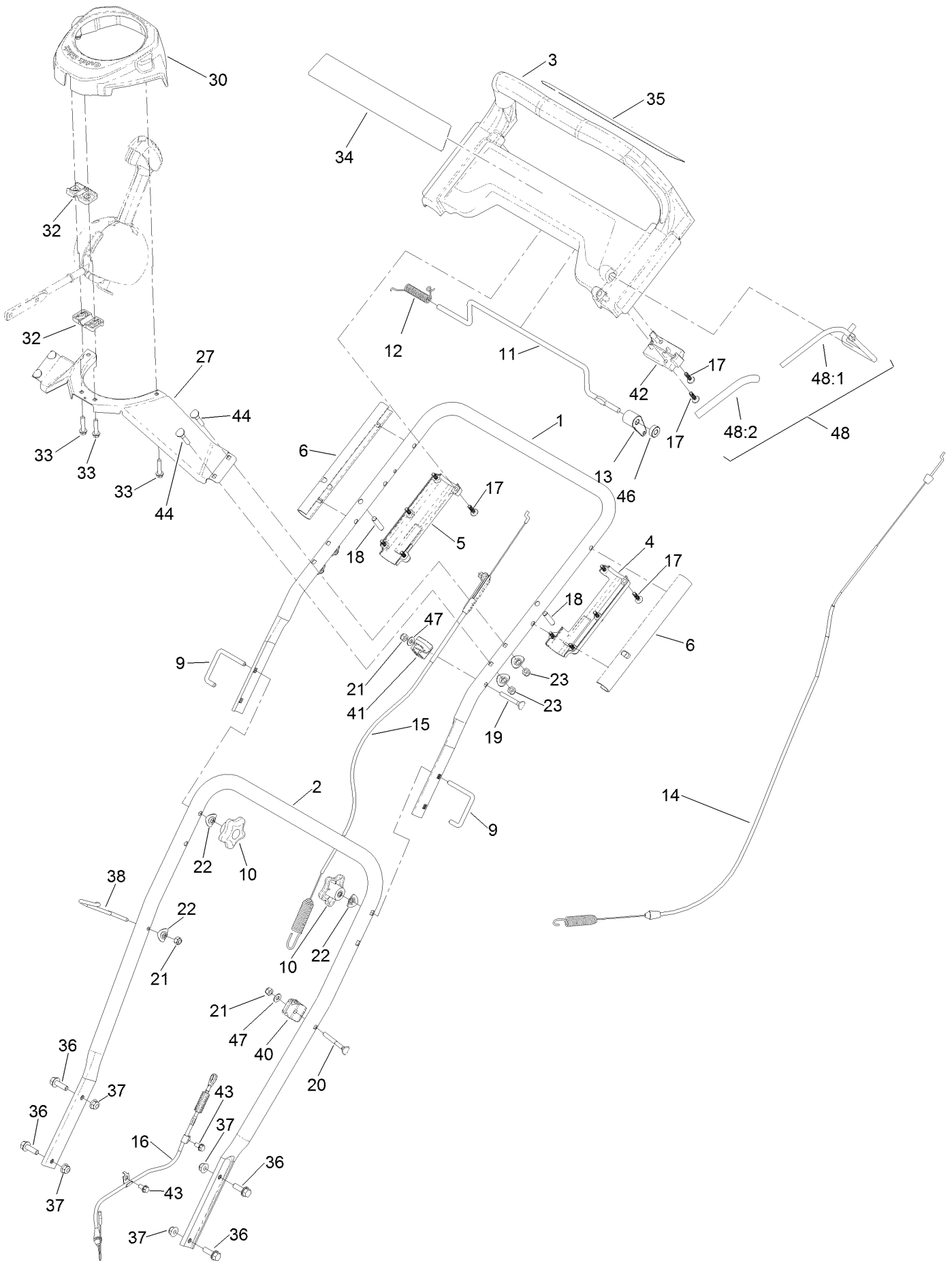




## Chute Control Lever Assembly (continued)

<i>Ref.</i>	<i>Part Number</i>	<i>Qty.</i>	<i>Description</i>	<i>Ref.</i>	<i>Part Number</i>	<i>Qty.</i>	<i>Description</i>
1	94-4496	6	Screw-PPH	14	106-7282	1	Lever-Control, Chute (LH)
3	105-9982	1	Spring-Torsion	15	106-7292	1	Cover-Lever, Chute (RH)
4	105-9984	1	Trigger-Latch	16	106-7295	1	Plate-Friction
5	105-9985	1	Link-Latch	17	106-7310	1	Pawl-Latch
6	105-9986	1	Cover-Lever, Chute (LH)	18	107-3002	1	Washer-Nylon
7	105-9988	1	Lever-Cable, Deflector	19	3290-456	1	Washer-Belleville
8	130-9614	1	Cable-Release, Chute	20	3296-29	1	Nut-Lock, NI
9	130-9613	1	Cable-Control, Deflector	22	120-2348	1	Rod-Chute
10	105-9995	1	Screw-Shoulder	23	3229-30	3	Screw-CARR
11	106-4479	1	Rod-Control, Chute	24	3296-73	3	Nut-Lock, NI
12	106-7280	1	Cap-Lever	25	32144-85	1	Screw-HWH
13	106-7281	1	Lever-Control, Chute (RH)				

# Handle and Control Assembly



## Handle and Control Assembly (continued)

<i>Ref.</i>	<i>Part Number</i>	<i>Qty.</i>	<i>Description</i>	<i>Ref.</i>	<i>Part Number</i>	<i>Qty.</i>	<i>Description</i>
1	120-2333-03	1	Handle-Upper	23	3296-73	4	Nut-Lock, NI
2	120-2334-03	1	Handle-Lower	27	120-2342-03	1	Bracket-Chute, Control
3	131-5921	1	Handle	30	131-5906	1	Cover Top
4	120-2336	1	Handle-Bottom, LH	32	105-9987	2	Support-Rod
5	131-1770	1	Handle-Bottom, RH	33	46-8092	4	Screw-Plastite
6	120-2343	2	Sleeve Handle	34	131-1787	1	Decal-Display
9	108-4887	2	Lock-Handle	35	131-1785	1	Decal-Control, Panel
10	106-4161	2	Knob-Handle	36	3234-29	4	Screw-HHF
11	99-1588	1	Bar-Control, Traction	37	104-8300	4	Nut-HF, NI
12	121-9118	1	Spring-Torsion	38	131-5913	1	Guide-Rope
13	131-5917	1	Lever-Traction	40	92-7729	1	Anchor-Cable, Upper
14	131-5924	1	Cable-Transmission	41	131-5903	1	Cable-Guide
15	120-2338	1	Cable-Rotor, Upper	42	131-5901	1	Bail-Mount
16	131-1753	1	Cable-Rotor, Lower	43	32144-4	2	Screw-HWH
17	120-2349	12	Screw	44	117-7737	4	Screw-Handle
18	131-1771	2	Pin-Dowel	46	130-2343	1	Spacer
19	95-4453	1	Screw	47	3256-1	2	Washer-Flat
20	92-2269	1	Screw-Handle	48	131-5943	1	Bail ASM
21	3296-73	3	Nut-Lock, NI	48:1	120-2345-03	1	Bail-Auger
22	107-3844	7	Washer	48:2	131-5902	1	Cover-Bail

# Attachments and Accessories

## For 36002 SnowMaster 724 QXE Snowthrower

<b>Product Name</b>	<b>Model/Part</b>
Engine Maintenance Kit.....	138-0700
Case of 24 20-Ounce Bottles 5W30 Winter Oil .....	38908
Toro Snow Oil 0W30 Synthetic 20-Ounce Bottle .....	38913
Toro 2-Stage Cover.....	490-7466

**Notes:**

**Notes:**

**Notes:**



**Count on it.**