



Count on it.

Parts Catalog

**SnowMaster 824 QXE
Snowthrower**

Model No. 36003—Serial No. 402082000 and Up



Ordering Replacement Parts

To order replacement parts, please supply the part number, the quantity, and the description of each part desired.

Understanding Reference Numbers

Each identified part in an illustration has a reference number. The reference number for a part also appears in the parts list, along with other information about the part.

This catalog uses two special reference number formats, one to indicate parts in a service assembly and another to indicate the quantity of a given part in an illustration.

Service Assembly Reference Numbers

Parts in service assemblies have reference numbers in the form a:b. The a represents the reference number of the entire service assembly and the b represents a sequential number unique to each part within the service assembly.

For example, a wheel assembly might be identified by reference number 6, the tire by 6:1, the valve by 6:2, and the wheel by 6:3. When you order the assembly identified by reference number 6, you receive all parts identified by reference numbers 6:1, 6:2, and 6:3. However, you may also order any part individually. Reference numbers of this type appear in illustration and in parts lists.

Reference Numbers Indicating Quantity

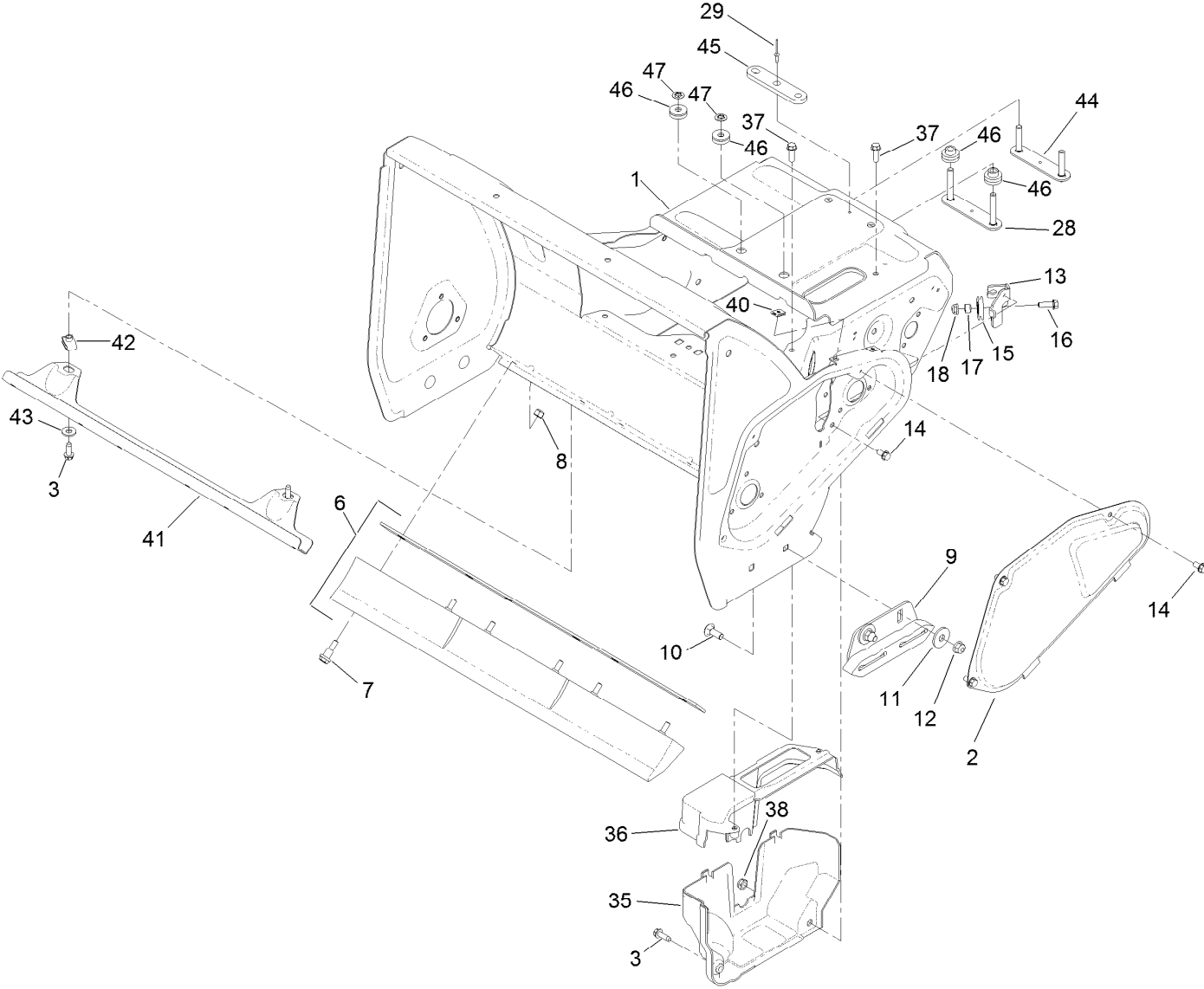
In an illustration, if a reference number indicates more than one part, the reference number has the form nX y. The n represents the quantity of the part, the X is the multiplication symbol, and the y represents the reference number.

For example, in an illustration, the reference number 2X 37 means that two of the parts identified by reference number 37 are indicated.

Contents

Main Frame Assembly	4
Rotor Assembly	6
Rotor Drive Assembly	8
Transmission, Drive and Tire Assembly	10
Engine Assembly	12
Fuel System and Carburetor Assembly	14
Intake and Exhaust Assembly	16
Ignition and Electrical Assembly	18
Crankcase Assembly	20
Governor Assembly	22
Piston and Head Assembly	24
Blower Housing and Shrouds Assembly	26
Engine Decal Assembly	28
Chute Assembly	30
Chute Control Lever Assembly	32
Handle and Control Assembly	34
Attachments and Accessories	36

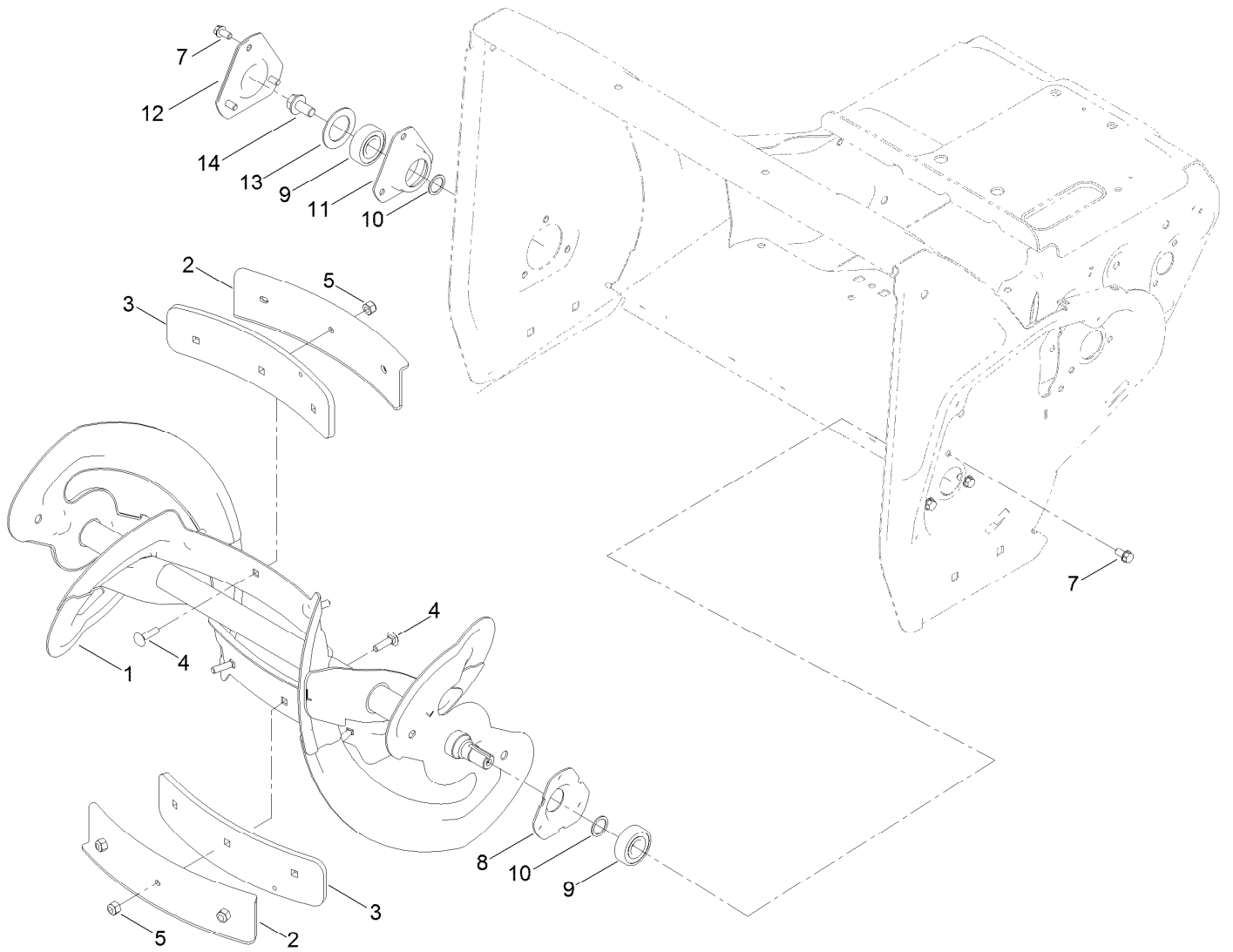
Main Frame Assembly



Main Frame Assembly (continued)

<i>Ref.</i>	<i>Part Number</i>	<i>Qty.</i>	<i>Description</i>	<i>Ref.</i>	<i>Part Number</i>	<i>Qty.</i>	<i>Description</i>
1	130-9550-01	1	Frame	18	104-7201	1	Nut-HF
2	130-9581-01	1	Cover-Belt	28	136-7172	1	Plate-Stud, Front
3	49-2040	3	Screw-HWHTF	29	923786	1	Rivet
6	130-9628	1	Scraper ASM	35	131-1763	1	Cover-Belt, Lower
7	104-0858	6	Bolt-Shoulder	36	131-1764	1	Cover-Belt, Upper
8	3296-42	6	Nut-Lock, NI	37	46-8091	2	Screw-HWH
9	130-9619	2	Skid ASM	38	3296-47	1	Nut-Lock, NI
10	3230-16	4	Screw-CARR	40	107-1013	2	Nut-Speed, U-Type
11	52-2861	4	Washer	41	131-1797-01	1	Support-Frame, Lower
12	104-8300	4	Nut-HF, NI	42	107069	2	Clip
13	131-1793-03	1	Bracket-Cable	43	3256-2	2	Washer-Flat
14	32144-4	4	Screw-HWH	44	136-7177	1	Plate-Stud, Rear
15	95-7949	1	Cable-Pulley	45	131-5944-01	1	Plate-Spacer
16	115-5103	1	Screw-HHF	46	131-5945	2	Isolator-Engine
17	55-9370	1	Spacer-Blade, Rotor	47	109-5667	2	Ring-Retaining, Bolt

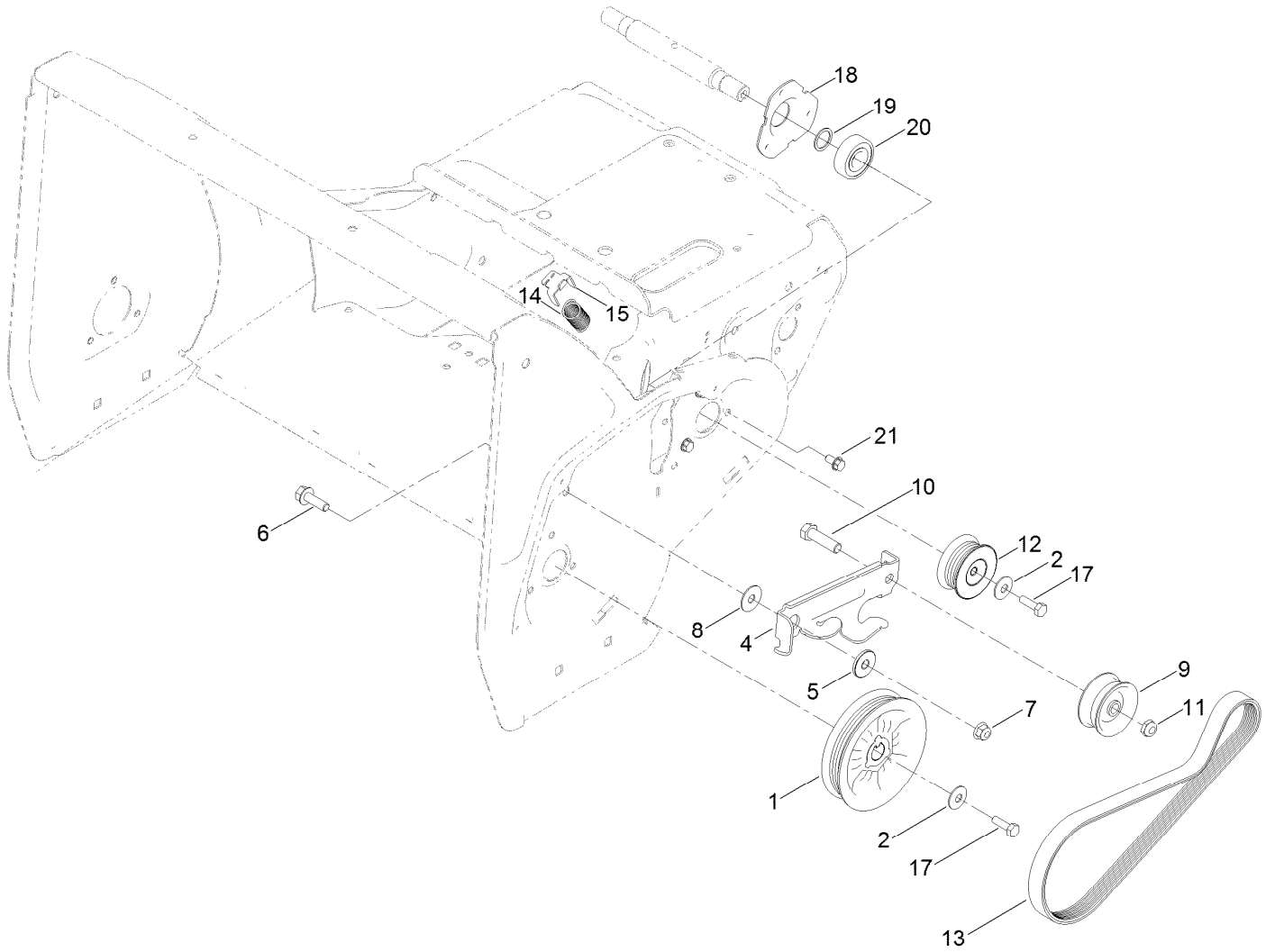
Rotor Assembly



Rotor Assembly (continued)

<i>Ref.</i>	<i>Part Number</i>	<i>Qty.</i>	<i>Description</i>	<i>Ref.</i>	<i>Part Number</i>	<i>Qty.</i>	<i>Description</i>
1	130-9571-03	1	Rotor ASM	9	38-7820	2	Bearing-Ball
2	130-9568-03	2	Support-Center, Rotor	10	52-7280	2	Washer-Thrust
3	130-9569	2	Paddle-Center	11	136-7169	1	Flange-Bearing
4	3229-2	6	Screw-CARR	12	130-9558-01	1	Cap-Bearing
5	3296-42	6	Nut-Lock, NI	13	131-5905	1	Washer-Rubber
7	32144-4	6	Screw-HWH	14	110-9380	1	Screw-HWH
8	136-7134	1	Flange-Bearing				

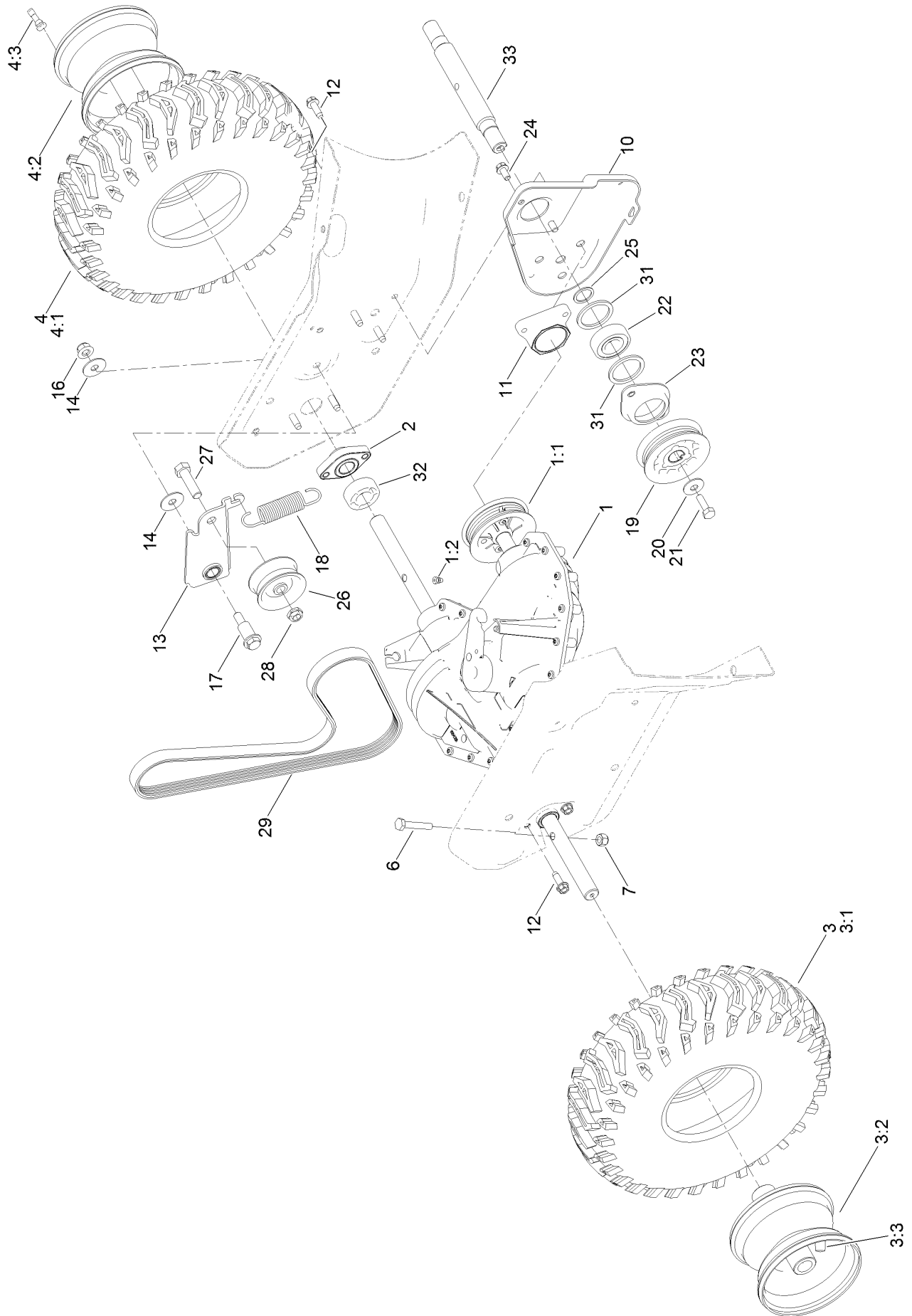
Rotor Drive Assembly



Rotor Drive Assembly (continued)

<i>Ref.</i>	<i>Part Number</i>	<i>Qty.</i>	<i>Description</i>	<i>Ref.</i>	<i>Part Number</i>	<i>Qty.</i>	<i>Description</i>
1	130-9574	1	Pulley-Rotor	12	130-9577	1	Pulley-Jackshaft, Rotor
2	3290-456	2	Washer-Belleville	13	131-5967	1	Belt-Poly V
4	136-7179	1	Arm-Engagement, Rotor	14	130-9572	1	Spring-Extension
5	117-7711	1	Bushing-Idler	15	136-7133	1	Clip-Spring
6	3234-29	1	Screw-HHF	17	9080046	2	Screw-HH
7	104-8300	1	Nut-HF, NI	18	136-7134	1	Flange-Bearing
8	108-4925	1	Washer	19	52-7280	1	Washer-Thrust
9	131-5988	1	Pulley-Idler, Flat	20	38-7820	1	Bearing-Ball
10	323-29	1	Screw-HH	21	32144-4	3	Screw-HWH
11	3296-59	1	Nut-Lock, NI				

Transmission, Drive and Tire Assembly

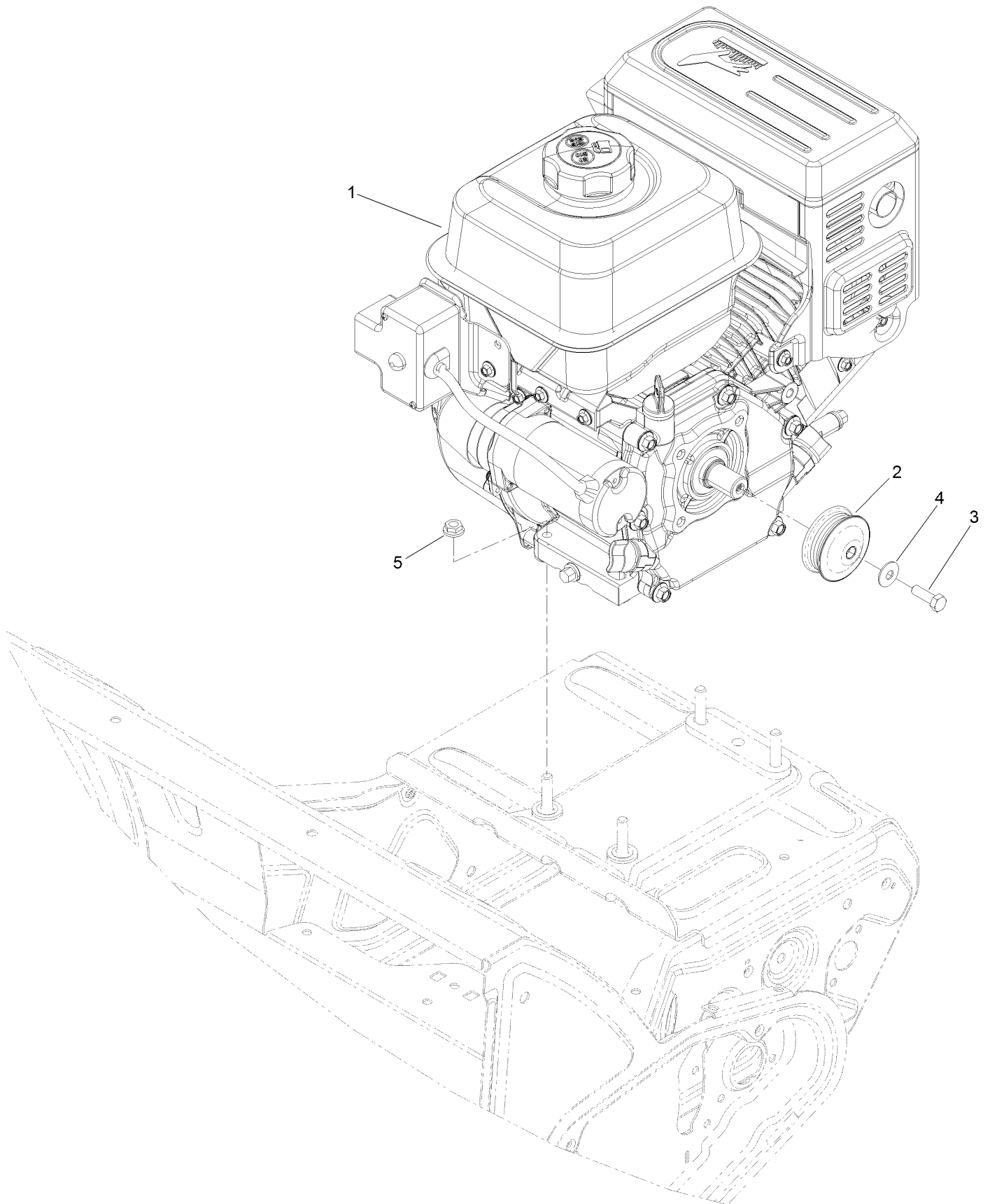


Transmission, Drive and Tire Assembly (continued)

<i>Ref.</i>	<i>Part Number</i>	<i>Qty.</i>	<i>Description</i>	<i>Ref.</i>	<i>Part Number</i>	<i>Qty.</i>	<i>Description</i>
1	130-9642	1	Transmission	14	108-4925	2	Washer
1:1	131-5973	1	Pulley Repair Kit	16	104-8300	1	Nut-HF, NI
1:2	131-5984	1	Plug-Oil	17	136-7192	1	Bolt-Shoulder, HHF
2	130-9643	2	Bearing-Axle	18	130-9645	1	Spring-Extension
3		1	RH Wheel And Tire ASM ●	19	130-9583	1	Pulley-Jackshaft
3:1	130-9559	1	Tire	20	3290-456	1	Washer-Belleville
3:2	130-9560	1	Wheel	21	9080046	1	Screw-HH
3:3	232-27	1	Stem-Valve	22	38-7820	1	Bearing-Ball
4		1	LH Wheel And Tire ASM ●	23	136-7171	1	Retainer-Bearing
4:1	130-9559	1	Tire	24	32144-4	2	Screw-HWH
4:2	130-9560	1	Wheel	25	52-7280	1	Washer-Thrust
4:3	232-27	1	Stem-Valve	26	131-5988	1	Pulley-Idler, Flat
6	321-9	2	Screw-HH	27	323-29	1	Screw-HH
7	3296-42	2	Nut-Lock, NI	28	3296-59	1	Nut-Lock, NI
10	130-9586-03	1	Plate-Support, Jackshaft	29	131-5968	1	Belt-Poly V
11	131-1794	1	Support-Bearing	31	131-5904	2	Washer-Rubber
12	49-2040	7	Screw-HWHTF	32	131-5910	1	Spacer-Axle
13	131-1795	1	Idler-Traction	33	130-9585	1	Jackshaft

● Not serviced separately

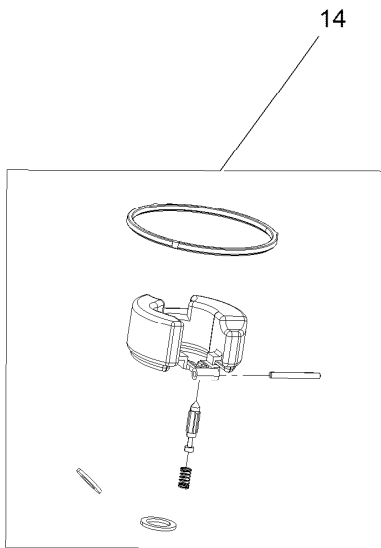
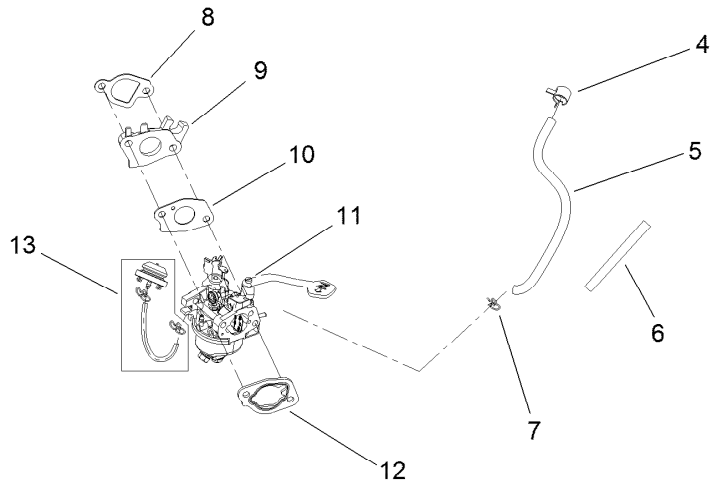
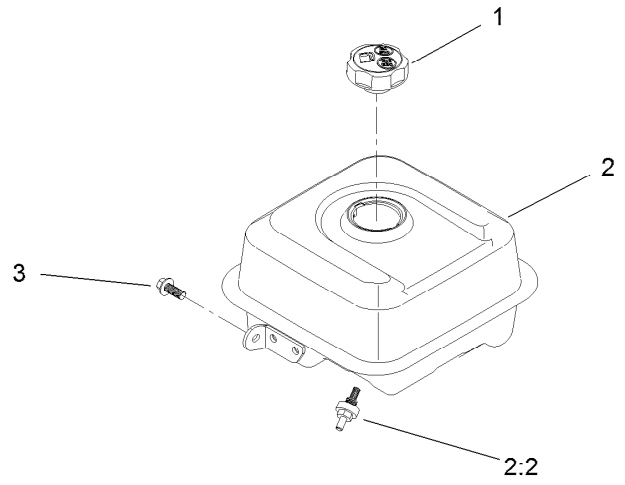
Engine Assembly



Engine Assembly (continued)

<i>Ref.</i>	<i>Part Number</i>	<i>Qty.</i>	<i>Description</i>	<i>Ref.</i>	<i>Part Number</i>	<i>Qty.</i>	<i>Description</i>
1	136-7760	1	Engine-G250Fds-2	4	3290-456	1	Washer-Belleville
2	131-5908	1	Pulley-Engine	5	32128-20	4	Nut-HF
3	131-5919	1	Screw-HH, Patch				

Fuel System and Carburetor Assembly

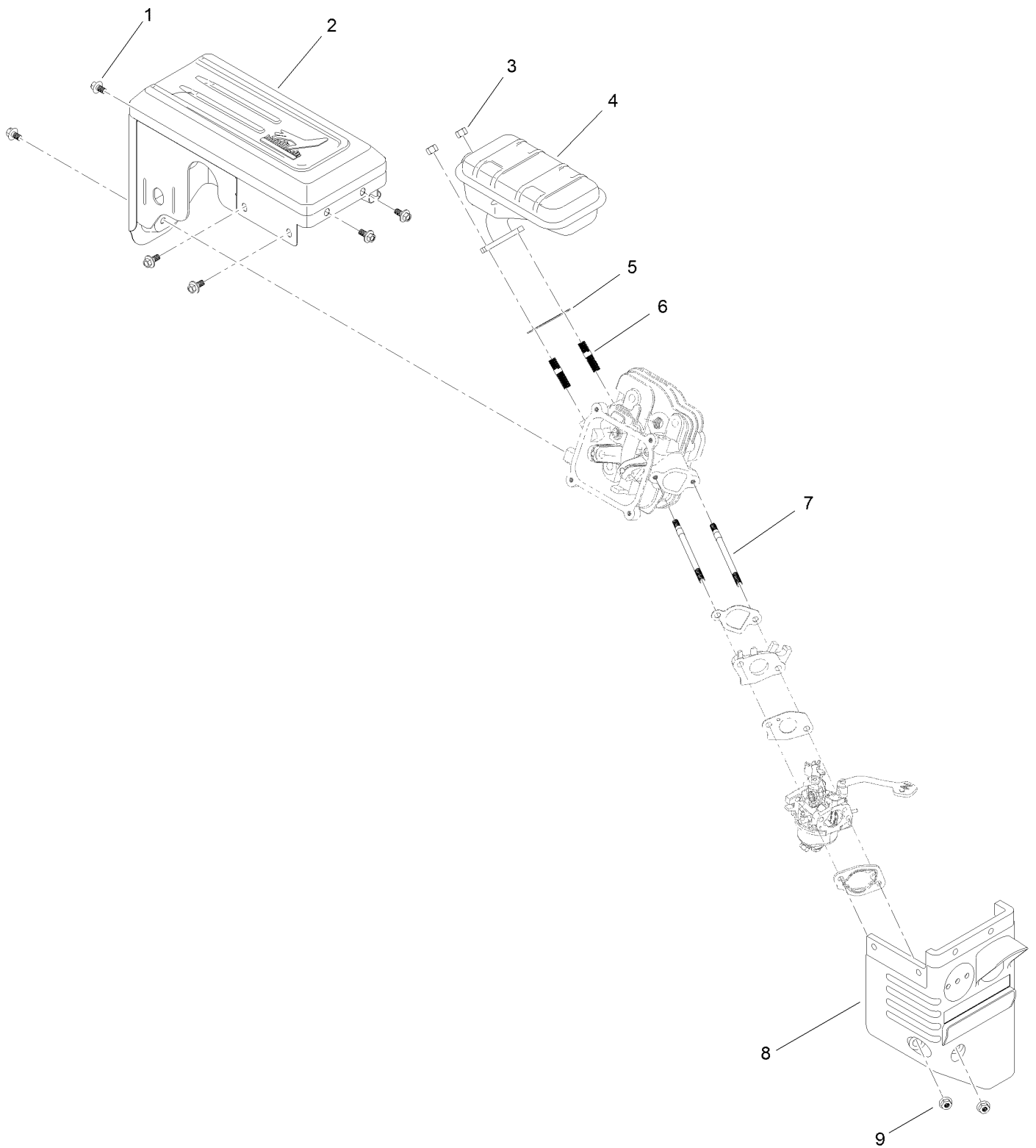


Fuel System and Carburetor Assembly (continued)

<i>Ref.</i>	<i>Part Number</i>	<i>Qty.</i>	<i>Description</i>	<i>Ref.</i>	<i>Part Number</i>	<i>Qty.</i>	<i>Description</i>
1	133-9823	1	Cap-Fuel	8	133-1531	1	Gasket-Carburetor
2	133-1553	1	Fuel Tank And Filter ASM	9	133-1532	1	Insulator-Carburetor
2:2	127-9065	1	Filter-Fuel	10	133-1533	1	Gasket-Carburetor
3	121-0294	1	Screw-HHF	11	133-1534	1	Carburetor ASM
4	127-9120	1	Clamp-Hose	12	121-0080	1	Gasket-Carburetor
5	133-1537	1	Hose-Fuel	13	127-9079	1	Primer Kit
6	133-9997	1	Sleeve-Abrasion	14	127-9395	1	Internal Carb Service Kit
7	121-0087	1	Clamp-Hose	99	133-9937	1	High Altitude Kit ●

● Not illustrated

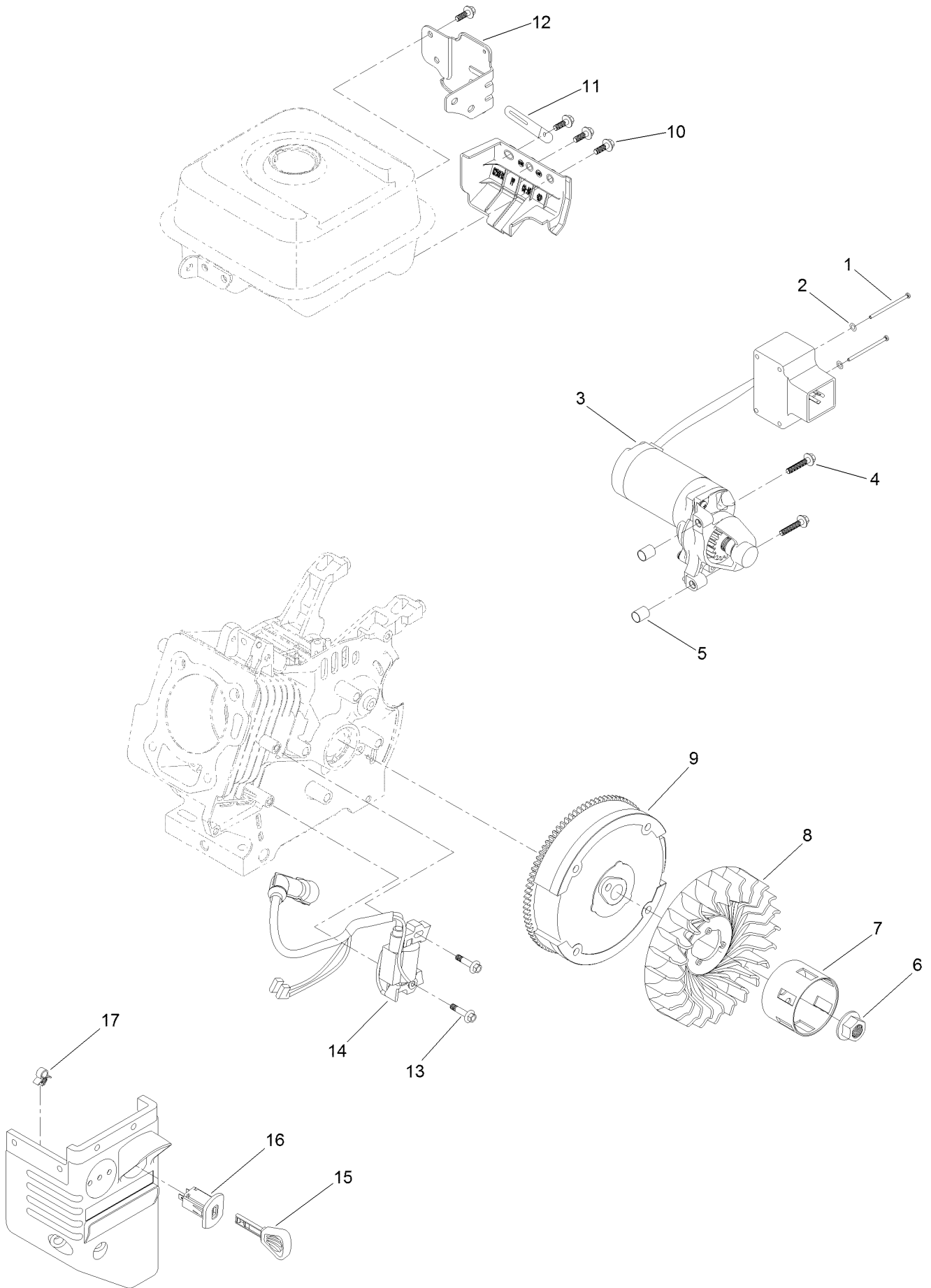
Intake and Exhaust Assembly



Intake and Exhaust Assembly (continued)

<i>Ref.</i>	<i>Part Number</i>	<i>Qty.</i>	<i>Description</i>	<i>Ref.</i>	<i>Part Number</i>	<i>Qty.</i>	<i>Description</i>
1	121-0294	6	Screw-HHF	6	121-0464	2	Stud-Exhaust
2	133-1541	1	Muffler Shroud ASM	7	121-4112	2	Stud-Intake
3	121-0199	2	Nut-HH	8	127-9112	1	Box-Heater
4	133-1540	1	Muffler ASM	9	121-0308	2	Nut-Flange
5	133-1539	1	Gasket-Exhaust				

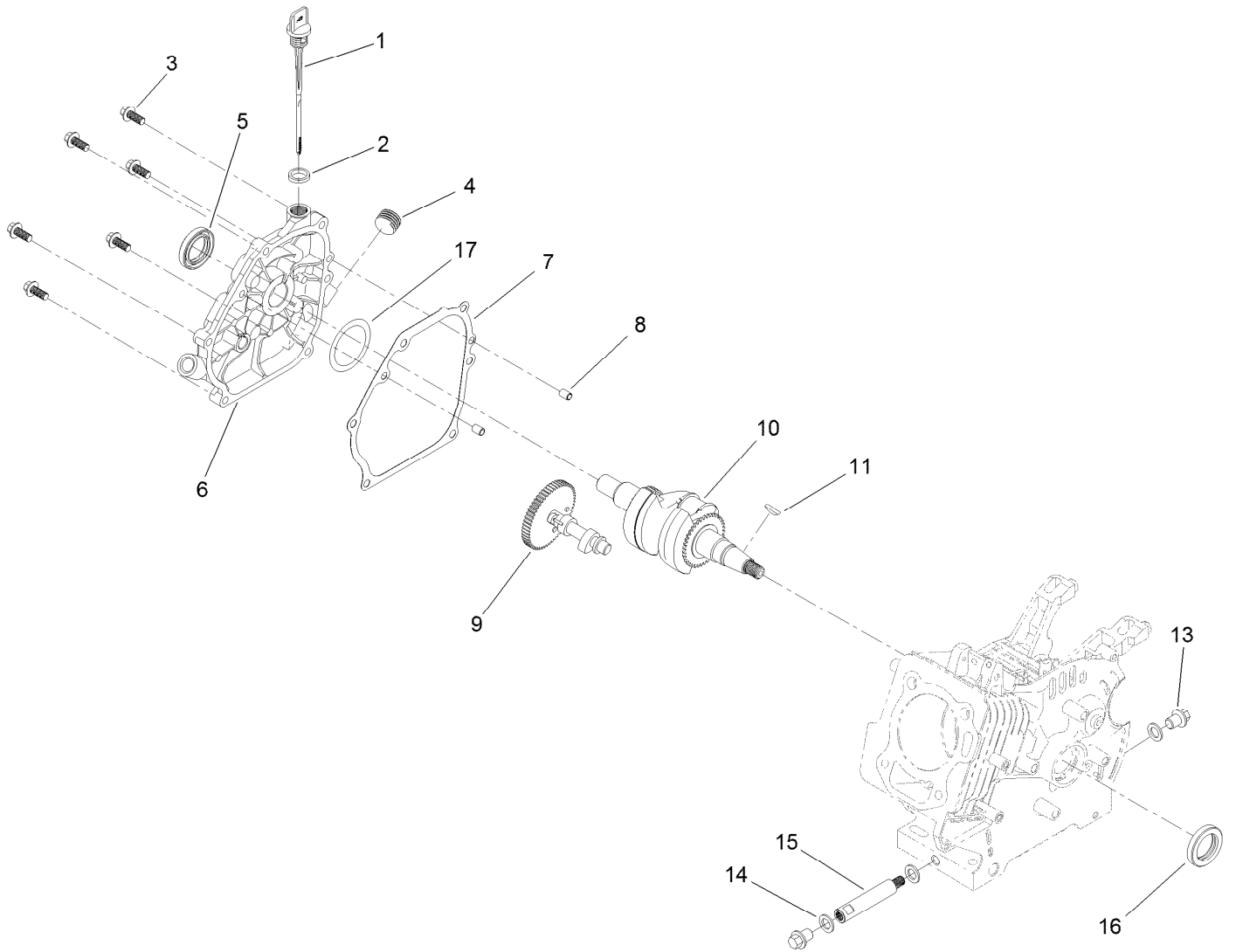
Ignition and Electrical Assembly



Ignition and Electrical Assembly (continued)

<i>Ref.</i>	<i>Part Number</i>	<i>Qty.</i>	<i>Description</i>	<i>Ref.</i>	<i>Part Number</i>	<i>Qty.</i>	<i>Description</i>
1	121-0306	2	Screw-Bhp	10	127-9123	4	Screw-HHF
2	121-0312	2	Washer-Plain	11	121-0017	1	Clip-Harness, Wire
3	133-9998	1	Motor-Starter	12	133-1554	1	Bracket-Switchbox, Starter
4	133-1546	2	Screw-Flange	13	121-0097	2	Screw-HHF
5	121-0055	2	Pin-Dowel	14	136-7769	1	Ignition Coil ASM
6	121-0047	1	Nut-Flange	15	117-7728	1	Key
7	133-1527	1	Cup-Starter	16	121-0283	1	Switch-Key
8	133-1526	1	Fan-Cooling	17	121-0326	1	Clip
9	133-1525	1	Flywheel And Ring Gear ASM				

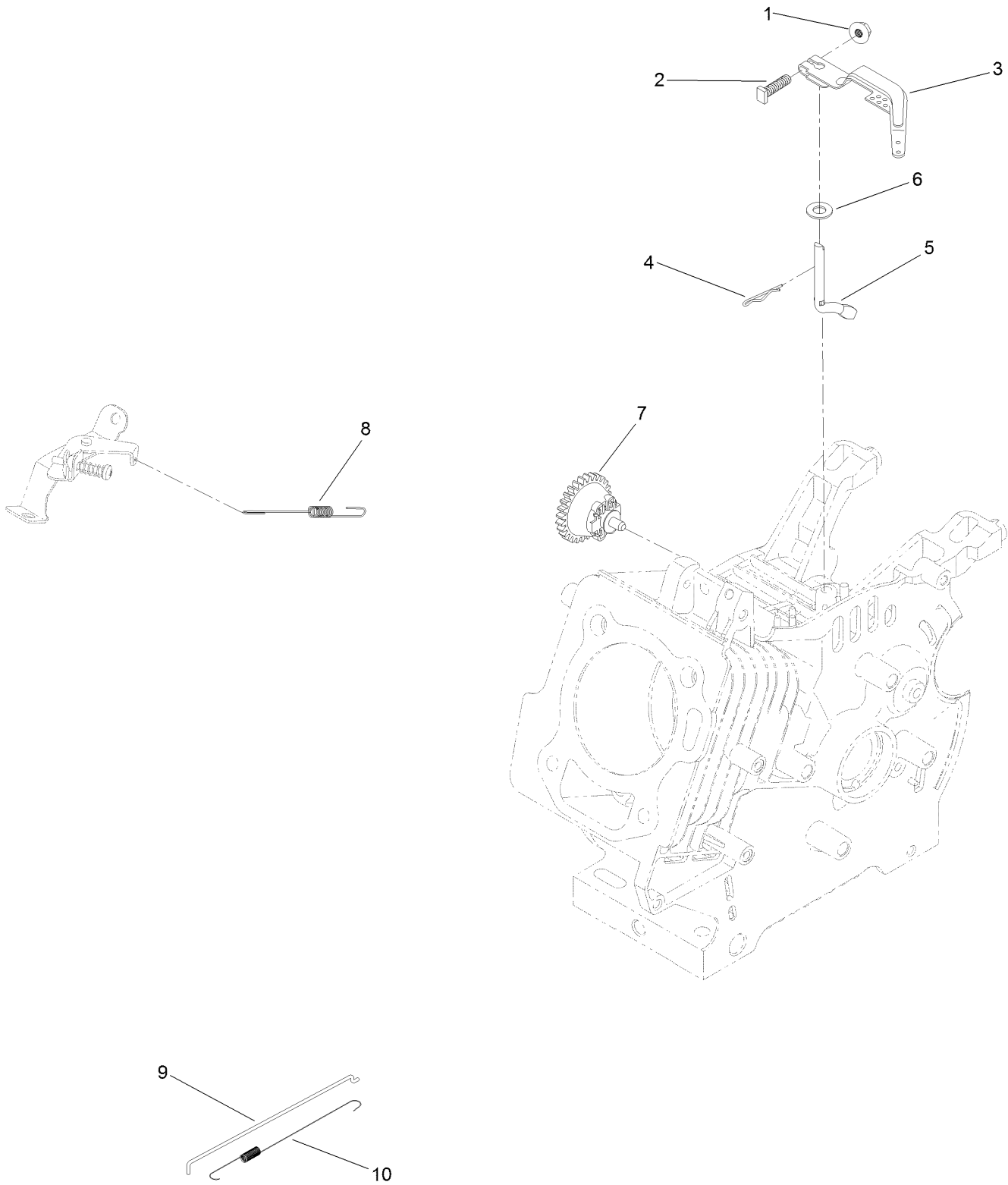
Crankcase Assembly



Crankcase Assembly (continued)

<i>Ref.</i>	<i>Part Number</i>	<i>Qty.</i>	<i>Description</i>	<i>Ref.</i>	<i>Part Number</i>	<i>Qty.</i>	<i>Description</i>
1	127-9409	1	Dipstick-Oil	9	133-9991	1	Camshaft ASM
2	127-9492	1	Gasket-Dipstick, Rubber	10	133-1517	1	Crankshaft
3	121-4114	6	Screw-HHF	11	120-4320	1	Key-Woodruff
4	133-9805	1	Plug-Drain	13	121-0030	2	Screw-HHF
5	133-1516	1	Seal-Oil	14	121-0048	3	Washer-Plain
6	133-9862	1	Cover-Crankcase	15	127-9104	1	Tube-Drain, Oil
7	127-9493	1	Gasket-Cover, Crankcase	16	133-9864	1	Seal-Oil
8	121-0054	2	Pin-Dowel	17	133-9863	1	Washer-Thrust

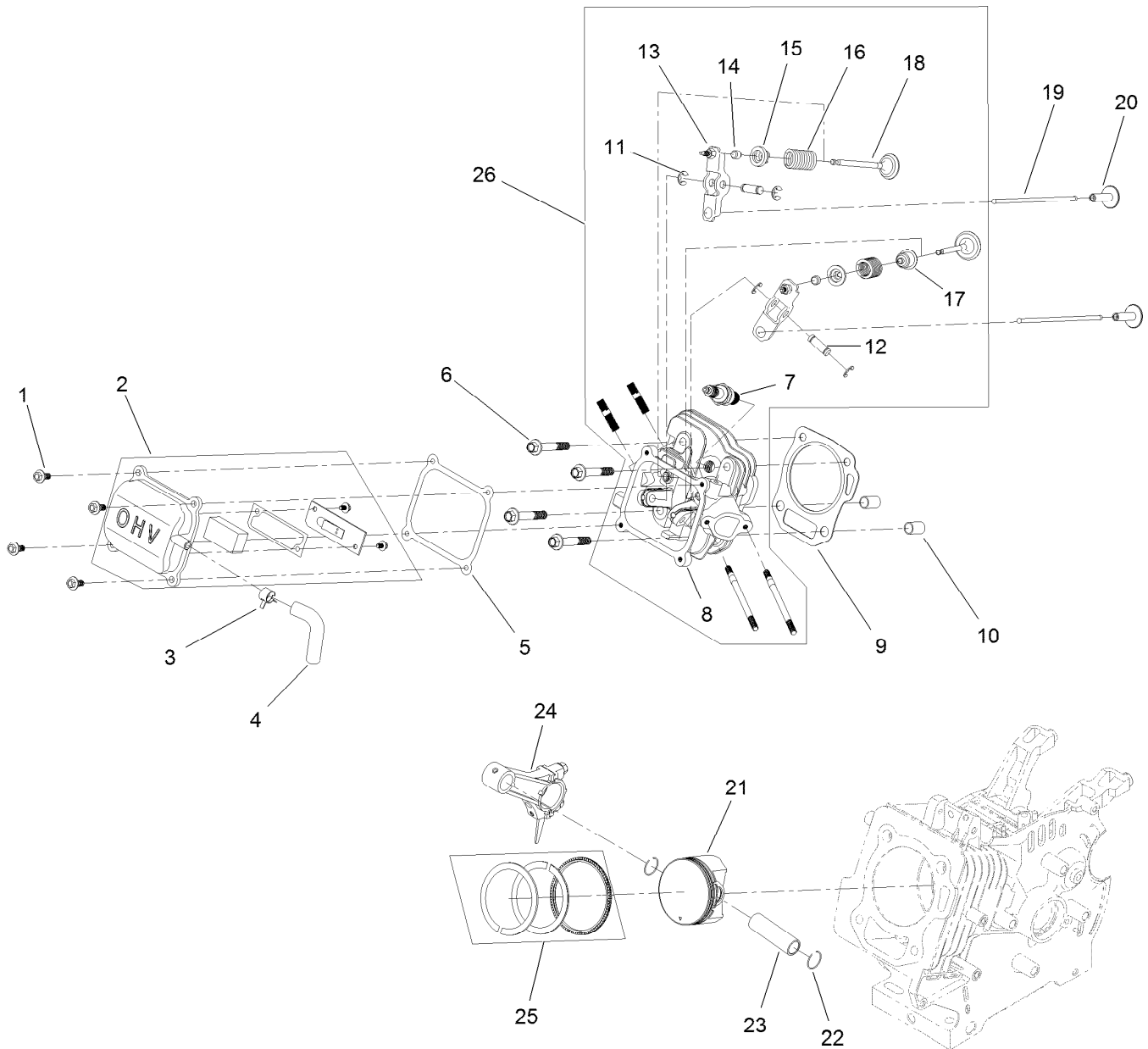
Governor Assembly



Governor Assembly (continued)

<i>Ref.</i>	<i>Part Number</i>	<i>Qty.</i>	<i>Description</i>	<i>Ref.</i>	<i>Part Number</i>	<i>Qty.</i>	<i>Description</i>
1	120-4236	1	Nut-Flange	6	121-0498	1	Washer-Plain
2	120-4238	1	Bolt-Arm, Governor	7	133-9994	1	Governor Gear ASM
3	121-0155	1	Arm-Governor	8	127-9398	1	Spring-Governor
4	120-4256	1	Pin-Hair	9	133-1535	1	Rod-Governor
5	133-9995	1	Shaft-Governor	10	133-1536	1	Spring-Return, Throttle

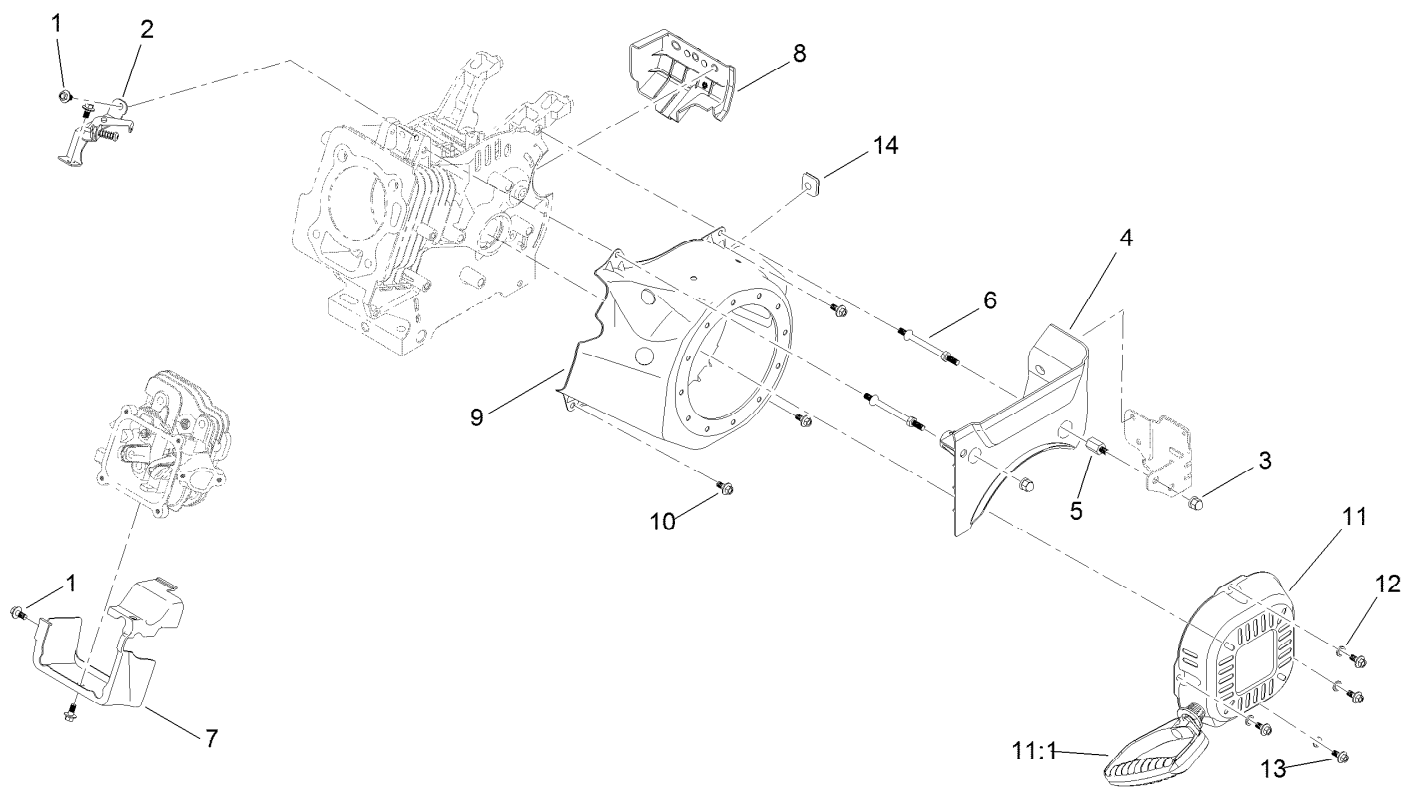
Piston and Head Assembly



Piston and Head Assembly (continued)

<i>Ref.</i>	<i>Part Number</i>	<i>Qty.</i>	<i>Description</i>	<i>Ref.</i>	<i>Part Number</i>	<i>Qty.</i>	<i>Description</i>
1	120-4454	4	Screw-HHF	14	121-4116	2	Rotator-Valve
2	133-1500	1	Valve Cover ASM	15	121-4117	2	Retainer-Spring, Valve
3	133-1558	1	Clamp-Hose	16	127-9014	2	Spring-Valve
4	133-9990	1	Tube-Breather	17	121-4202	1	Seal-Stem, Valve
5	133-1507	1	Gasket-Cover, Valve	18	133-1515	1	Set-Valve
6	133-1508	4	Screw-Flange	19	133-1514	2	Rod-Push
7	81-3250	1	Spark Plug	20	127-9015	2	Tappet-Valve
8	133-1509	1	Head-Cylinder	21	133-1522	1	Piston
9	133-1510	1	Gasket-Head	22	121-0313	2	Clip-Pin, Piston
10	120-4200	2	Pin-Dowel	23	121-4128	1	Pin-Piston
11	133-1511	4	E-Clip	24	121-4123	1	Connecting Rod ASM
12	133-1512	2	Pin-Arm, Rocker	25	133-1521	1	Set-Ring, Piston
13	133-1513	2	Rocker Arm ASM	26	133-9867	1	Complete Head ASM

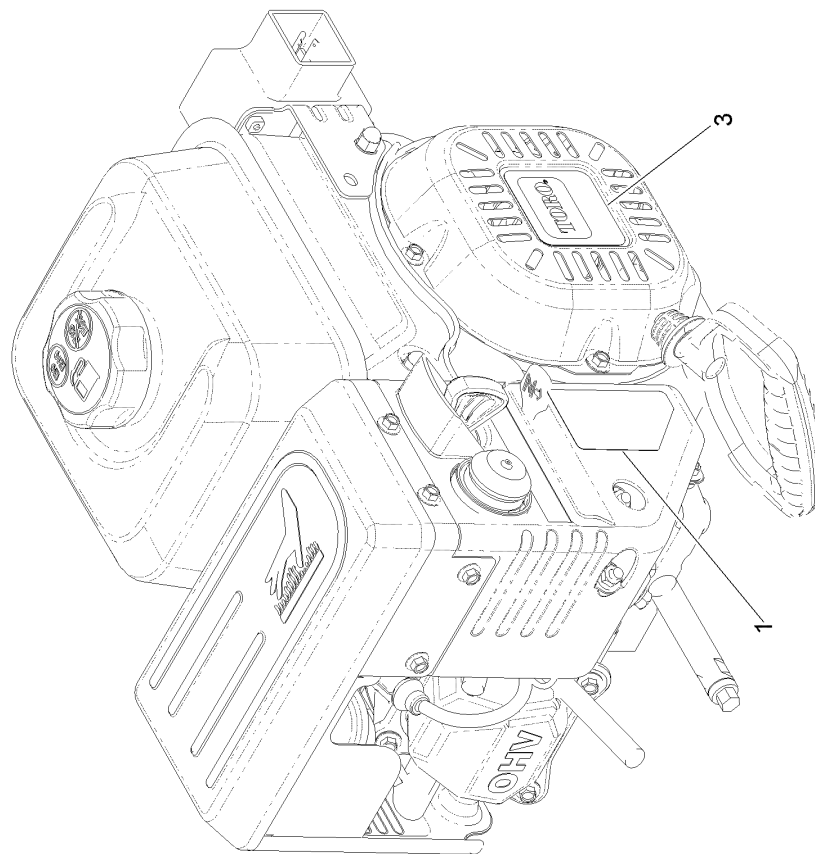
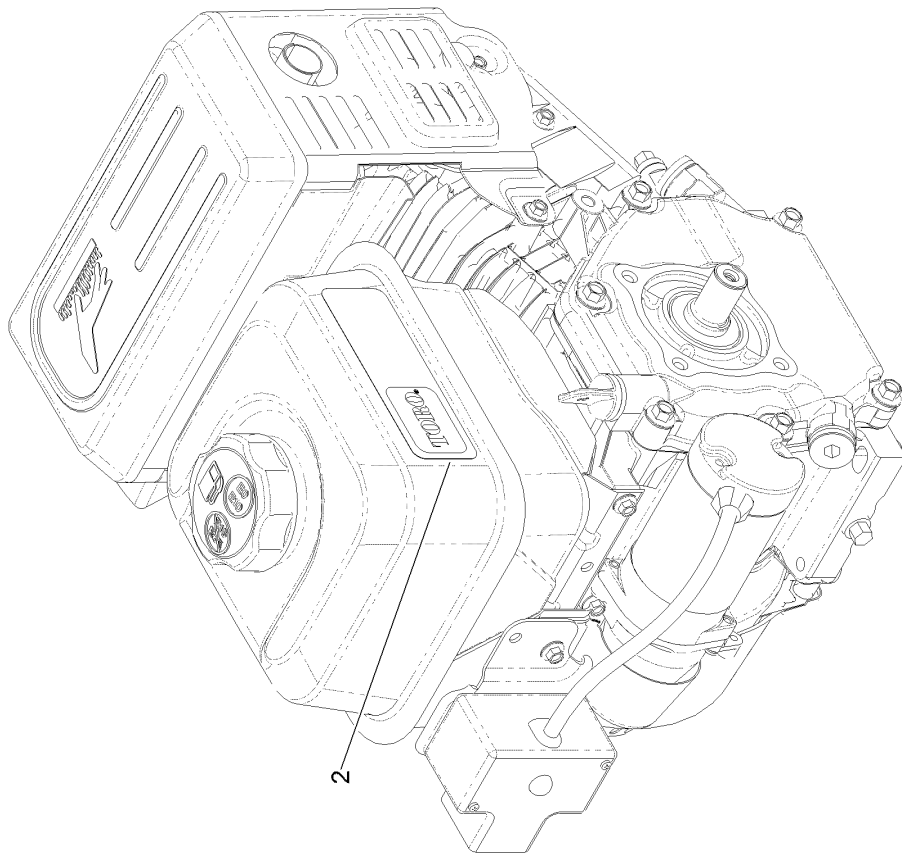
Blower Housing and Shrouds Assembly



Blower Housing and Shrouds Assembly (continued)

<i>Ref.</i>	<i>Part Number</i>	<i>Qty.</i>	<i>Description</i>	<i>Ref.</i>	<i>Part Number</i>	<i>Qty.</i>	<i>Description</i>
1	121-0116	4	Screw-HHF	9	133-1528	1	Shroud-Flywheel
2	133-1520	1	Throttle Control ASM	10	121-0294	3	Screw-HHF
3	127-9383	2	Nut-Acorn	11	133-1529	1	Recoil ASM
4	133-1544	1	Panel-Front	11:1	121-0287	1	Handle-Recoil
5	133-1545	1	Spacer-Stud, Threaded	12	127-9380	4	Washer-Plain
6	127-9110	2	Stud-Mount	13	127-9031	4	Screw-HHF
7	133-1530	1	Shroud-Head	14	133-1548	1	Grommet-Rubber
8	133-1543	1	Panel-Side, Engine				

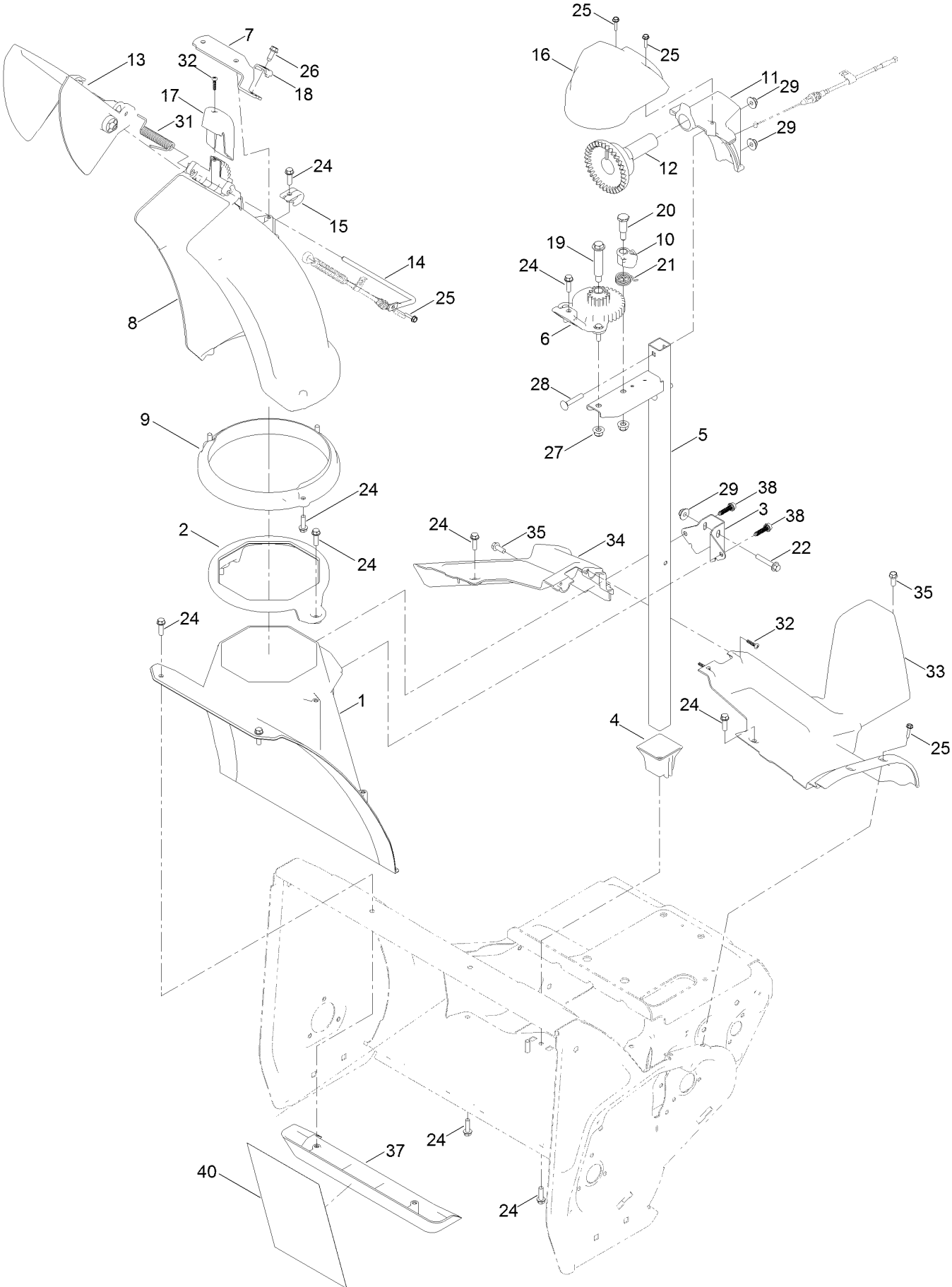
Engine Decal Assembly



Engine Decal Assembly (continued)

<i>Ref.</i>	<i>Part Number</i>	<i>Qty.</i>	<i>Description</i>
1	120-9805	1	Decal-Control, Engine
2	131-5911	1	Decal-Engine Series, G250
3	131-5912	1	Decal-Recoil, G250

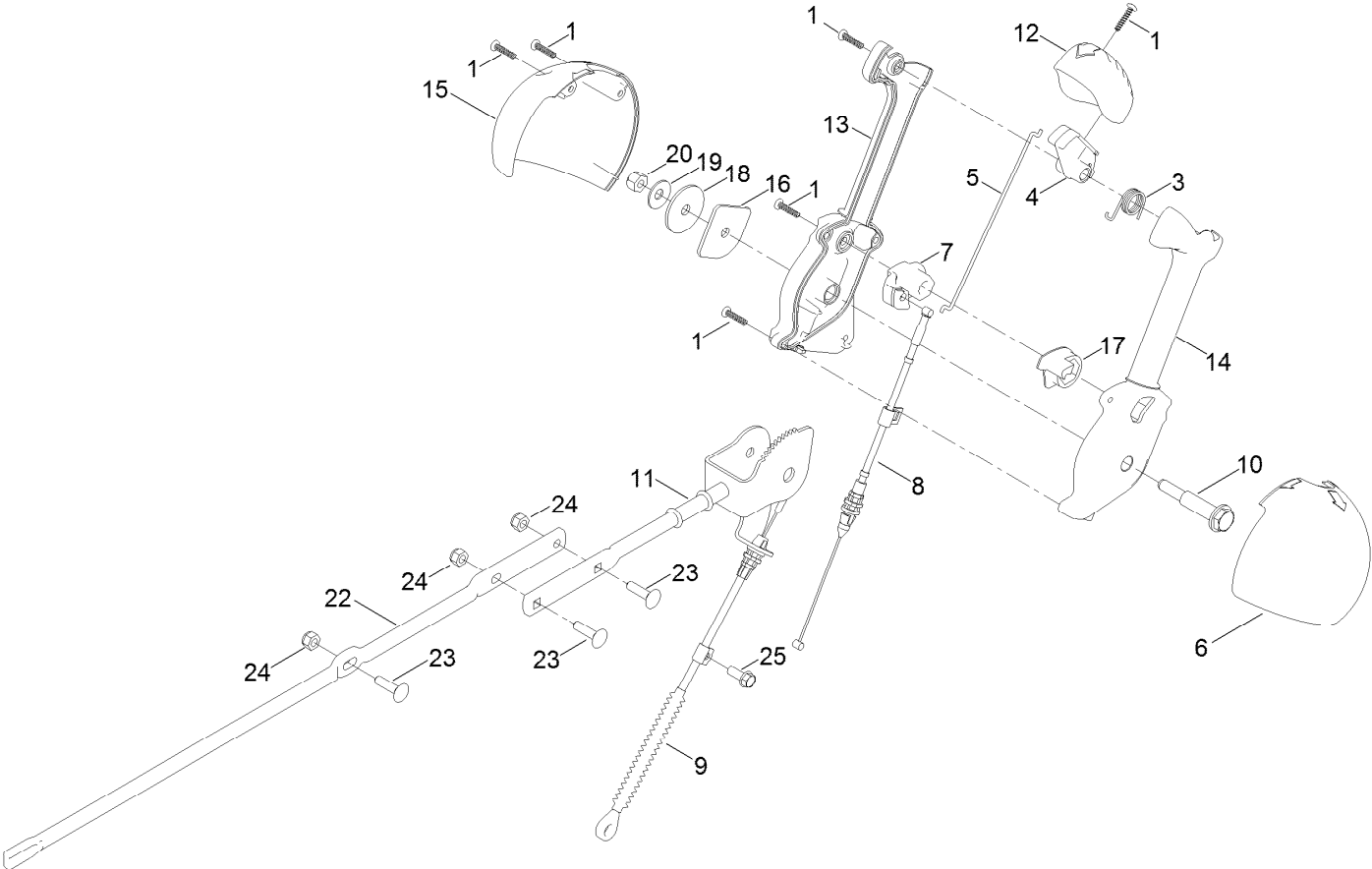
Chute Assembly



Chute Assembly (continued)

<i>Ref.</i>	<i>Part Number</i>	<i>Qty.</i>	<i>Description</i>	<i>Ref.</i>	<i>Part Number</i>	<i>Qty.</i>	<i>Description</i>
1	130-9587	1	Chute-Lower	19	136-7199	1	Bolt-Shoulder
2	130-9588	1	Guide-Chute	20	63-2650	1	Screw-Shoulder
3	130-9589-03	1	Bracket-Post, Support (Chute)	21	130-9616	1	Spring-Torsion, Latch (Chute)
4	130-9590	1	Retainer- Post, Chute	22	131-5927	1	Screw-HHF
5	130-9603-03	1	Post-Chute	24	46-8091	17	Screw-HWH
6	130-9605	1	Gear-Chute	25	98-1375	5	Screw-HWH
7	136-7170	1	Bracket-Cable	26	32144-10	1	Screw-HWH
8	133-5591	1	Chute-Discharge	27	104-8300	2	Nut-HF, NI
9	130-9596	1	Ring-Chute	28	108-0988	2	Screw-CARR
10	130-9607	1	Latch-Chute	29	114-3778	3	Nut-HF
11	130-9608	1	Mount-Gear, Chute	31	136-7143	1	Spring-Torsion
12	106-4471	1	Gear-Face	32	94-4496	3	Screw-PPH
13	131-5915	1	Deflector-Chute	33	131-1754	1	Shroud-Upper, LH
14	136-7145	1	Rod-Deflector	34	131-1765	1	Shroud-Lower, RH
15	130-9609	1	Guide-Cable	35	32144-85	2	Screw-HWH
16	130-9611	1	Cover-Gear, Chute	37	131-1768	1	Kicker-Housing
17	120-9299	1	Chute-Cover	38	130-6658	2	Screw-Flange, Plastic
18	136-7191	1	Clamp-Cable	40	133-5592	1	Decal

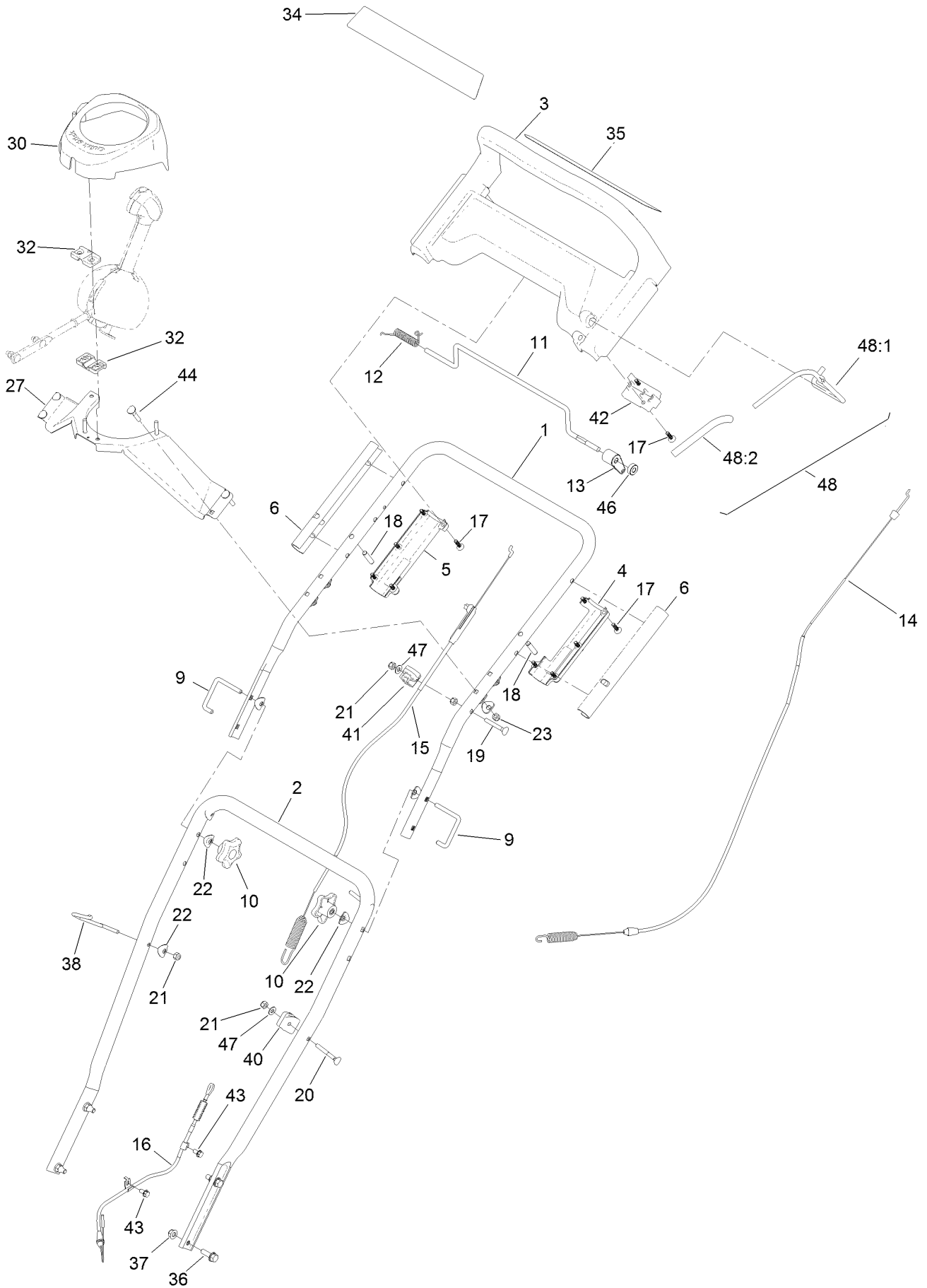
Chute Control Lever Assembly



Chute Control Lever Assembly (continued)

<i>Ref.</i>	<i>Part Number</i>	<i>Qty.</i>	<i>Description</i>	<i>Ref.</i>	<i>Part Number</i>	<i>Qty.</i>	<i>Description</i>
1	94-4496	6	Screw-PPH	14	106-7282	1	Lever-Control, Chute (LH)
3	105-9982	1	Spring-Torsion	15	106-7292	1	Cover-Lever, Chute (RH)
4	105-9984	1	Trigger-Latch	16	136-7129	1	Plate-Friction
5	136-7127	1	Link-Latch	17	106-7310	1	Pawl-Latch
6	105-9986	1	Cover-Lever, Chute (LH)	18	107-3002	1	Washer-Nylon
7	105-9988	1	Lever-Cable, Deflector	19	3290-456	1	Washer-Belleville
8	130-9614	1	Cable-Release, Chute	20	3296-29	1	Nut-Lock, NI
9	130-9613	1	Cable-Control, Deflector	22	120-2348	1	Rod-Chute
10	136-7190	1	Screw-Shoulder	23	3229-30	3	Screw-CARR
11	136-7128	1	Chute Control Rod	24	3296-73	3	Nut-Lock, NI
12	106-7280	1	Cap-Lever	25	32144-85	1	Screw-HWH
13	106-7281	1	Lever-Control, Chute (RH)				

Handle and Control Assembly



Handle and Control Assembly (continued)

<i>Ref.</i>	<i>Part Number</i>	<i>Qty.</i>	<i>Description</i>	<i>Ref.</i>	<i>Part Number</i>	<i>Qty.</i>	<i>Description</i>
1	120-2333-03	1	Handle-Upper	23	3296-73	4	Nut-Lock, NI
2	120-2334-03	1	Handle-Lower	27	120-2342-03	1	Bracket-Chute, Control
3	131-5921	1	Handle	30	131-5906	1	Cover Top
4	120-2336	1	Handle-Bottom, LH	32	105-9987	2	Support-Rod
5	131-1770	1	Handle-Bottom, RH	34	131-1788	1	Decal-Display
6	120-2343	2	Sleeve Handle	35	131-1785	1	Decal-Control, Panel
9	136-7130	2	Lock-Handle	36	3234-29	4	Screw-HHF
10	106-4161	2	Knob-Handle	37	104-8300	4	Nut-HF, NI
11	136-7150	1	Bar-Traction Control	38	136-7147	1	Guide-Rope
12	136-7166	1	Spring-Torsion	40	92-7729	1	Anchor-Cable, Upper
13	131-5917	1	Lever-Traction	41	131-5903	1	Cable-Guide
14	131-5924	1	Cable-Transmission	42	131-5901	1	Bail-Mount
15	120-2338	1	Cable-Rotor, Upper	43	32144-4	2	Screw-HWH
16	131-1753	1	Cable-Rotor, Lower	44	117-7737	4	Screw-Handle
17	120-2349	12	Screw	46	130-2343	1	Spacer
18	131-1771	2	Pin-Dowel	47	3256-1	2	Washer-Flat
19	95-4453	1	Screw	48	131-5943	1	Bail ASM
20	92-2269	1	Screw-Handle	48:1		1	Bail-Auger ●
21	3296-73	3	Nut-Lock, NI	48:2	131-5902	1	Cover-Bail
22	107-3844	7	Washer				

● Not serviced separately

Attachments and Accessories

For 36003 SnowMaster 824 QXE Snowthrower

Product Name	Model/Part
Center Paddle Replacement Kit.....	130-9569P
Skid Replacement Kit	130-9619P
Scraper Kit.....	130-9628P
Rotor Belt.....	131-5967P
Engine Maintenance Kit.....	138-0700
Case of 24 20-Ounce Bottles 5W30 Winter Oil	38908
Toro Snow Oil 0W30 Synthetic 20-Ounce Bottle	38913
Toro 2-Stage Cover.....	490-7466

Notes:

Notes:

Notes:



Count on it.