



**Count on it.**

**Parts Catalog**

**Z Master® Professional 5000  
Series Riding Mower**

**with 60in TURBO FORCE® Side Discharge  
Mower**

Model No. 74933—Serial No. 401000000 and Up



# Ordering Replacement Parts

To order replacement parts, please supply the part number, the quantity, and the description of each part desired.

## Understanding Reference Numbers

Each identified part in an illustration has a reference number. The reference number for a part also appears in the parts list, along with other information about the part.

This catalog uses two special reference number formats, one to indicate parts in a service assembly and another to indicate the quantity of a given part in an illustration.

## Service Assembly Reference Numbers

Parts in service assemblies have reference numbers in the form a:b. The a represents the reference number of the entire service assembly and the b represents a sequential number unique to each part within the service assembly.

For example, a wheel assembly might be identified by reference number 6, the tire by 6:1, the valve by 6:2, and the wheel by 6:3. When you order the assembly identified by reference number 6, you receive all parts identified by reference numbers 6:1, 6:2, and 6:3. However, you may also order any part individually. Reference numbers of this type appear in illustration and in parts lists.

## Reference Numbers Indicating Quantity

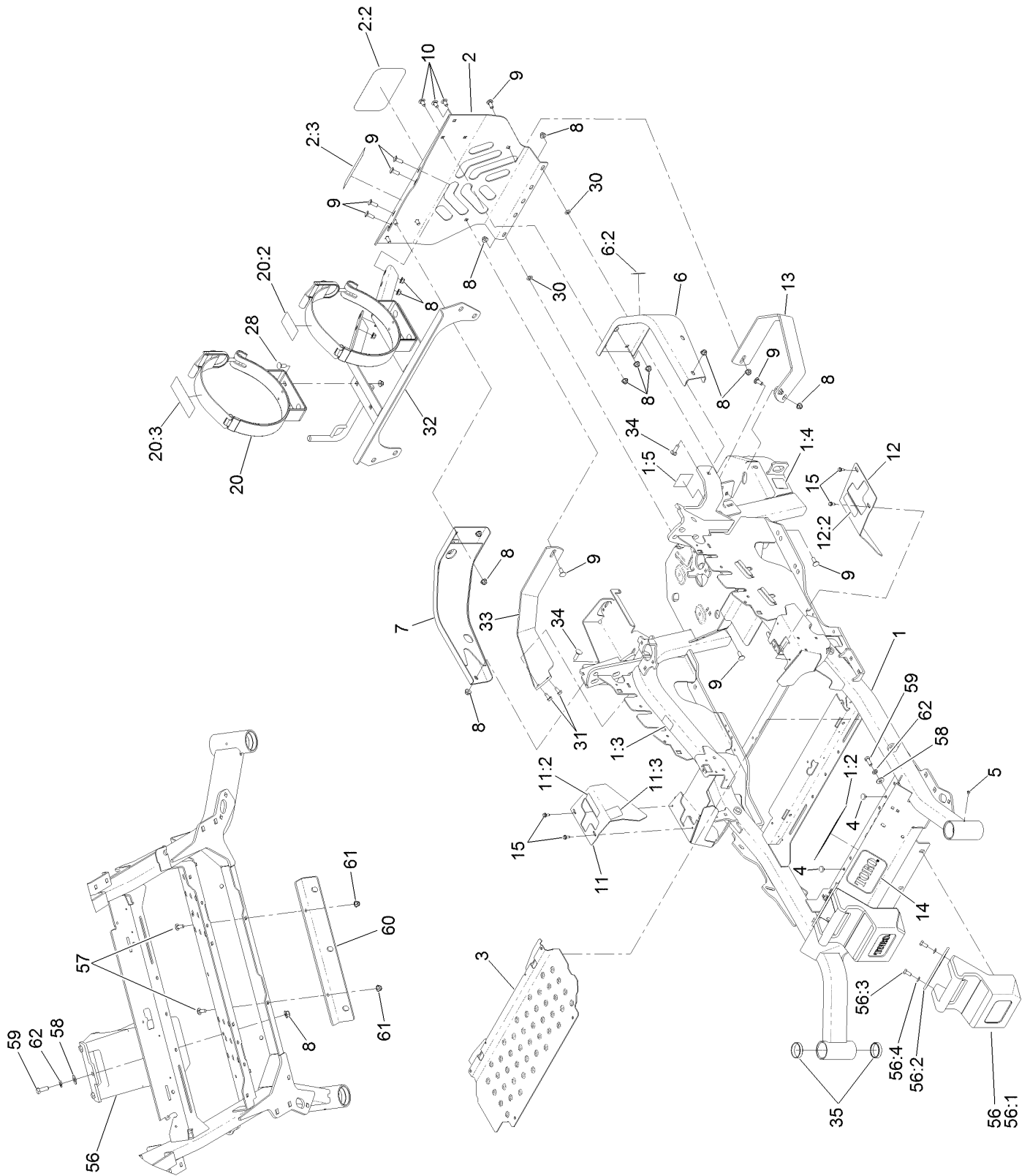
In an illustration, if a reference number indicates more than one part, the reference number has the form nX y. The n represents the quantity of the part, the X is the multiplication symbol, and the y represents the reference number.

For example, in an illustration, the reference number 2X 37 means that two of the parts identified by reference number 37 are indicated.

# Contents

Frame Assembly	4
Roll-Over Protection System Assembly	6
Roll-Over Protection System Assembly No. 116-0231	8
Caster Fork and Wheel Assembly	10
Hydraulic Drive Assembly	12
Pump Idler Assembly No. 116-1255	14
LH Hydro Assembly No. 126-1323	16
RH Hydro Assembly No. 126-1324	18
Rear Wheel Assembly	20
Park Brake Assembly	22
LPG Valve and Tank Assembly	24
Seat Mount Assembly	26
Seat Assembly No. 125-3107	28
Motion Control Assembly	30
Control Console Assembly	32
Electrical Assembly	34
Wire Harness Assembly No. 126-5875	36
Deck Lift Assembly	38
Height-of-Cut Assembly No. 109-7438	40
Engine, Clutch and Muffler Assembly	42
Deck Assembly	44
Deck Decal Assembly No. 136-8639	46
Idler Arm Assembly	48
Spindle Assembly No. 127-0560	50
Rubber Deflector Assembly No. 108-2792	52
Frame Decal Assembly	54
Attachments and Accessories	56

# Frame Assembly

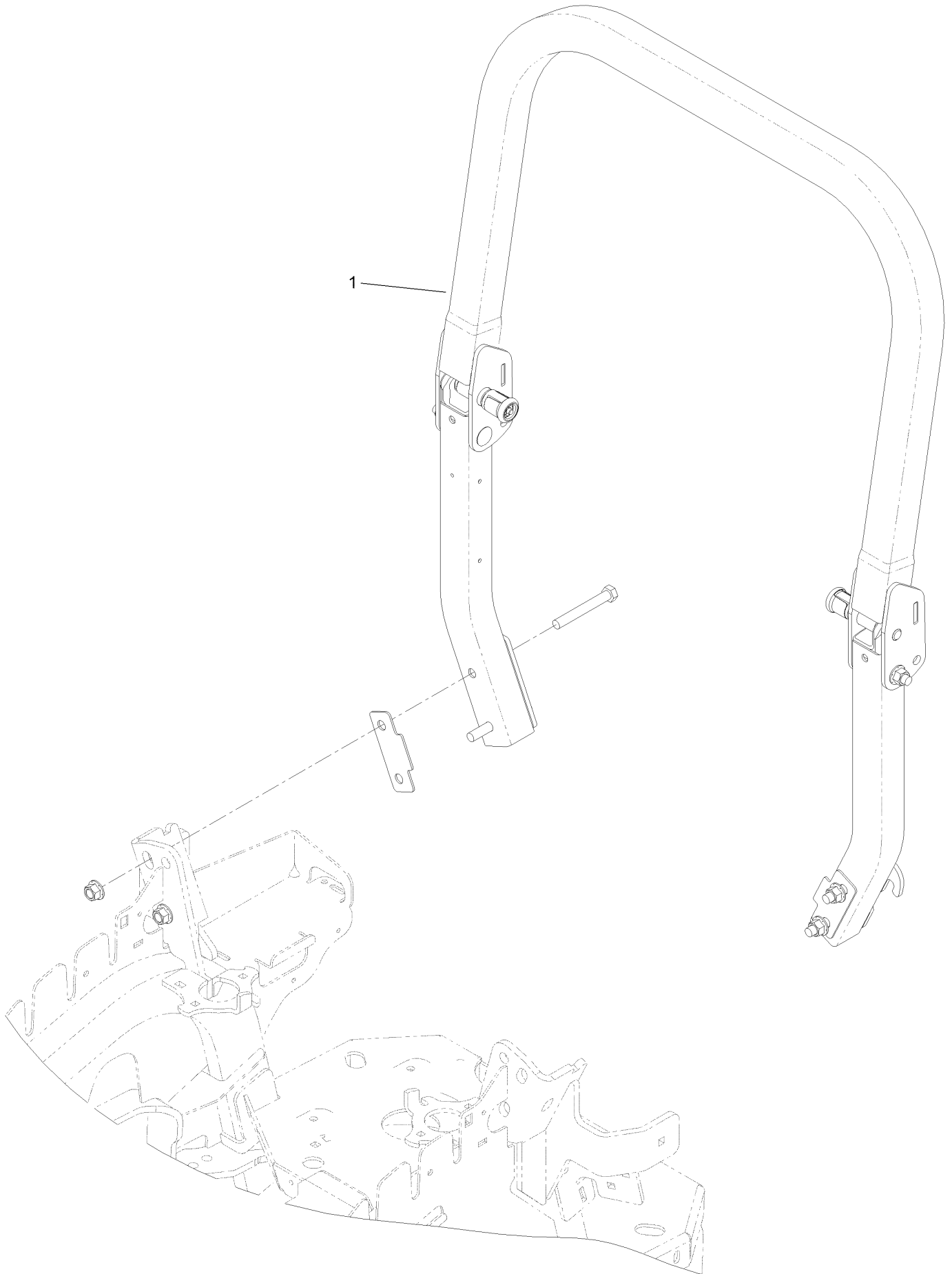


## Frame Assembly (continued)

<i>Ref.</i>	<i>Part Number</i>	<i>Qty.</i>	<i>Description</i>	<i>Ref.</i>	<i>Part Number</i>	<i>Qty.</i>	<i>Description</i>
1	116-5902	1	Mainframe ASM	12:2	99-8936	1	Decal-Control, Motion
1:2	132-0871	1	Decal-Danger	13	126-2067-03	1	Guard-Muffler
1:3	106-5517	2	Decal-Warning	14	68-3640	1	Decal
1:4	106-2655	2	Decal-Hazard, Pinched Finger	15	32144-10	4	Screw-HWH
1:5	116-4858	1	Decal-Spark Arrester	20	116-2817	1	Tank Bracket ASM (Set)
2	127-0306	1	LPG Rear Guard ASM	20:2	126-3275	1	Decal-LPG Warning
2:2	67-7320	1	Decal	20:3	126-4553	1	Decal-LPG Tank Spec
2:3	126-3277	1	Decal-LPG Fuel Tank Replacement	28	3231-2	4	Bolt-CARR
3	116-8898-01	1	Floorpan	30	107-3154	2	Nut-Push
4	1-513658	2	Bumper	31	32144-70	2	Screw-Thd Roll, HWH
5	1-811010	2	Plug	32	116-3558-03	1	Support-LPG Tank
6	116-0180	1	LH Bumper ASM	33	116-1432-03	1	Strap-Guard
6:2	106-5517	1	Decal-Warning	34	3231-25	2	Bolt-CARR
7	116-0057-03	1	Bumper-RH	35	1-543508	4	Cup-Bearing
8	104-8301	24	Nut-HF, NI	56		2	Weight ASM ●
9	3231-22	11	Screw-CARR	56:1	120-7881	1	Weight-43 Lb
10	3231-21	5	Screw-CARR	56:2	115-3616-01	1	Tab-Support, Weight
11	116-5899	1	RH Motion Control Cover ASM	56:3	323-4	2	Screw-HH
11:2	99-8936	1	Decal-Control, Motion	56:4	3253-5	2	Washer-Lock
11:3	116-5988	1	Decal-Park Brake, CE	57	3230-23	2	Screw-CARR
12	116-0580	1	LH Motion Control Cover ASM	58	3256-4	4	Washer-Flat
				59	323-6	4	Screw-HH
				60	115-3615-01	1	Bracket-Mount, Weight
				61	104-8300	2	Nut-HF, NI
				62	3253-5	4	Washer-Lock

● Not serviced separately

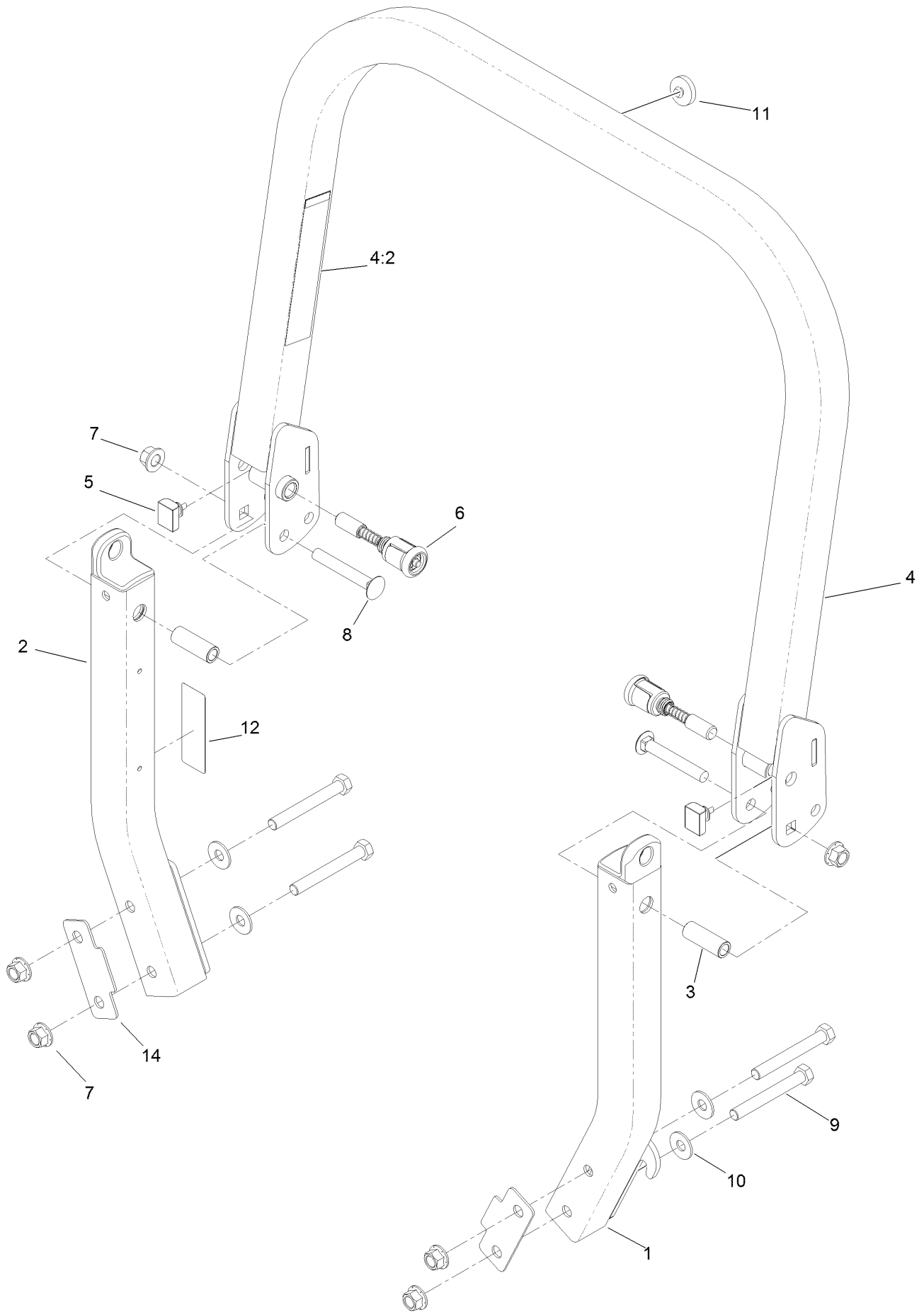
# Roll-Over Protection System Assembly



# Roll-Over Protection System Assembly (continued)

<i>Ref.</i>	<i>Part Number</i>	<i>Qty.</i>	<i>Description</i>
1	116-0231	1	ROPS ASM

# Roll-Over Protection System Assembly No. 116-0231





# Roll-Over Protection System Assembly No. 116-0231 (continued)

<i>Ref.</i>	<i>Part Number</i>	<i>Qty.</i>	<i>Description</i>	<i>Ref.</i>	<i>Part Number</i>	<i>Qty.</i>	<i>Description</i>
1		1	Leg-ROPS, LH ●	7	99-5107	6	Nut-Lock
2		1	Leg-ROPS, RH ●	8	3233-10	2	Screw-CARR
3	109-6653	2	Spacer	9	325-35	4	Screw-HH
4		1	Upper ROPS ASM ●	10	109-9505	4	Washer-Spring
4:2	107-3069	1	Decal-Warning	11	109-9233	1	Bumper-Push-In, Rubber
5	109-5337	2	Bumper-ROPS	12	117-0346	1	Decal-Caution, Fuel Vent
6	116-0104	2	Pin-Spring	14	116-0960	2	Spacer

● Not serviced separately

# Caster Fork and Wheel Assembly



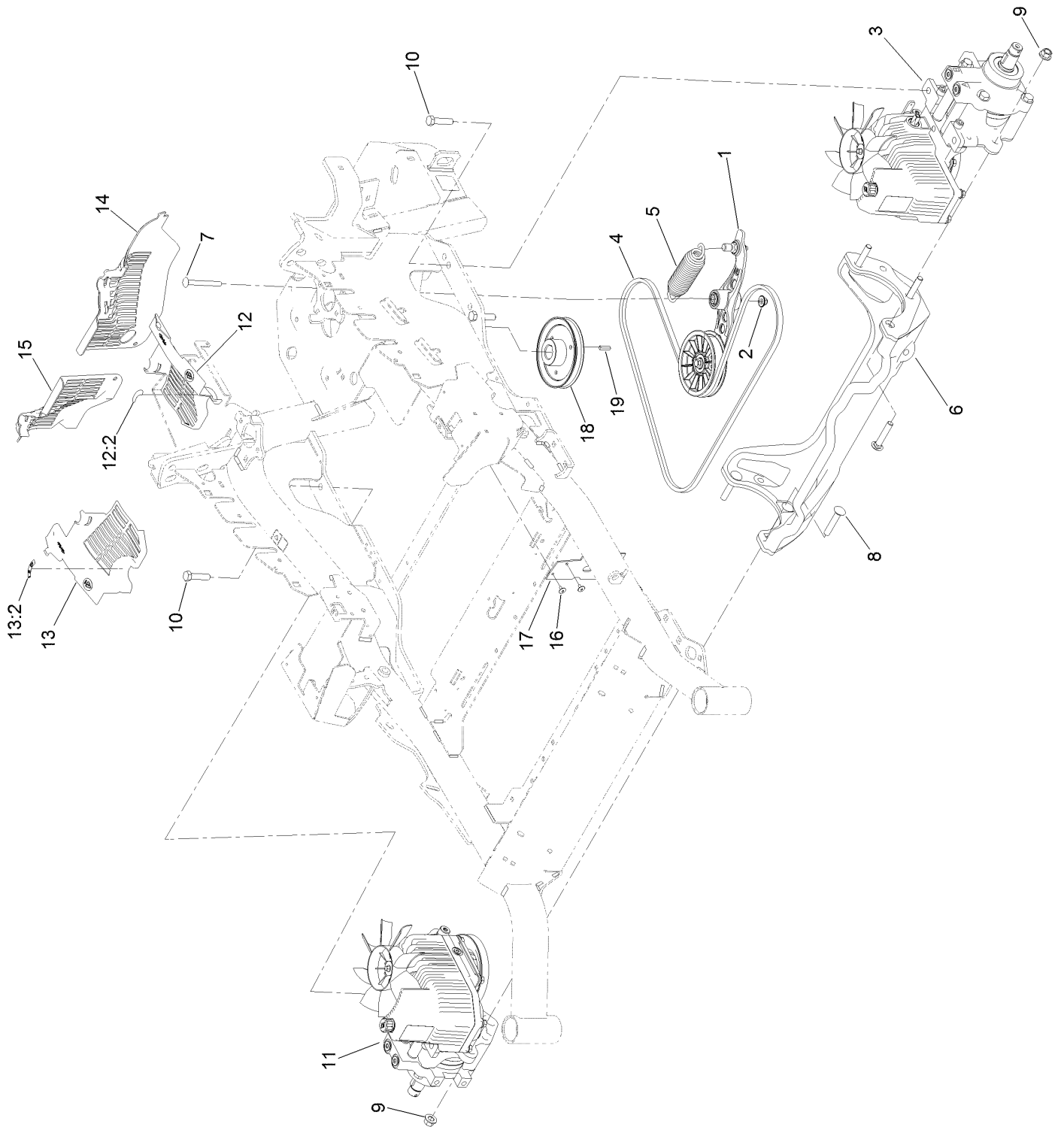
## Caster Fork and Wheel Assembly (continued)

<i>Ref.</i>	<i>Part Number</i>	<i>Qty.</i>	<i>Description</i>	<i>Ref.</i>	<i>Part Number</i>	<i>Qty.</i>	<i>Description</i>
1	1-543509	2	Bearing-Roller, Tapered	5:2:3	103-3051	1	Spacer-Nut ■
2	116-5647	1	Seal-Grease	5:2:4	126-5361	1	Axle Caster ASM
3	1-633508	3	Washer-Bellville	5:2:5		1	Wheel And Tire ASM ●
4	116-6707-01	1	Caster	5:2:5:1	1-633584	2	Bearing-Cup
5	127-9528	1	Wheel And Axle ASM	5:3	325-39	1	Screw-HH
5:1	103-2768	2	Guard-Seal	5:4	3296-23	1	Nut-Lock, NI
5:2		1	Wheel And Bearing ASM ●	6	103-4882	1	Cap-Grease
5:2:1	1-633585	2	Bearing-Cone, Taper	7	3296-51	1	Nut-Lock, NI
5:2:2	103-0063	2	Seal-Caster				

● Not serviced separately

■ Use Pro-Lock, Nut Type (P/N 1-840022, .5ml tube) on threads.

# Hydraulic Drive Assembly

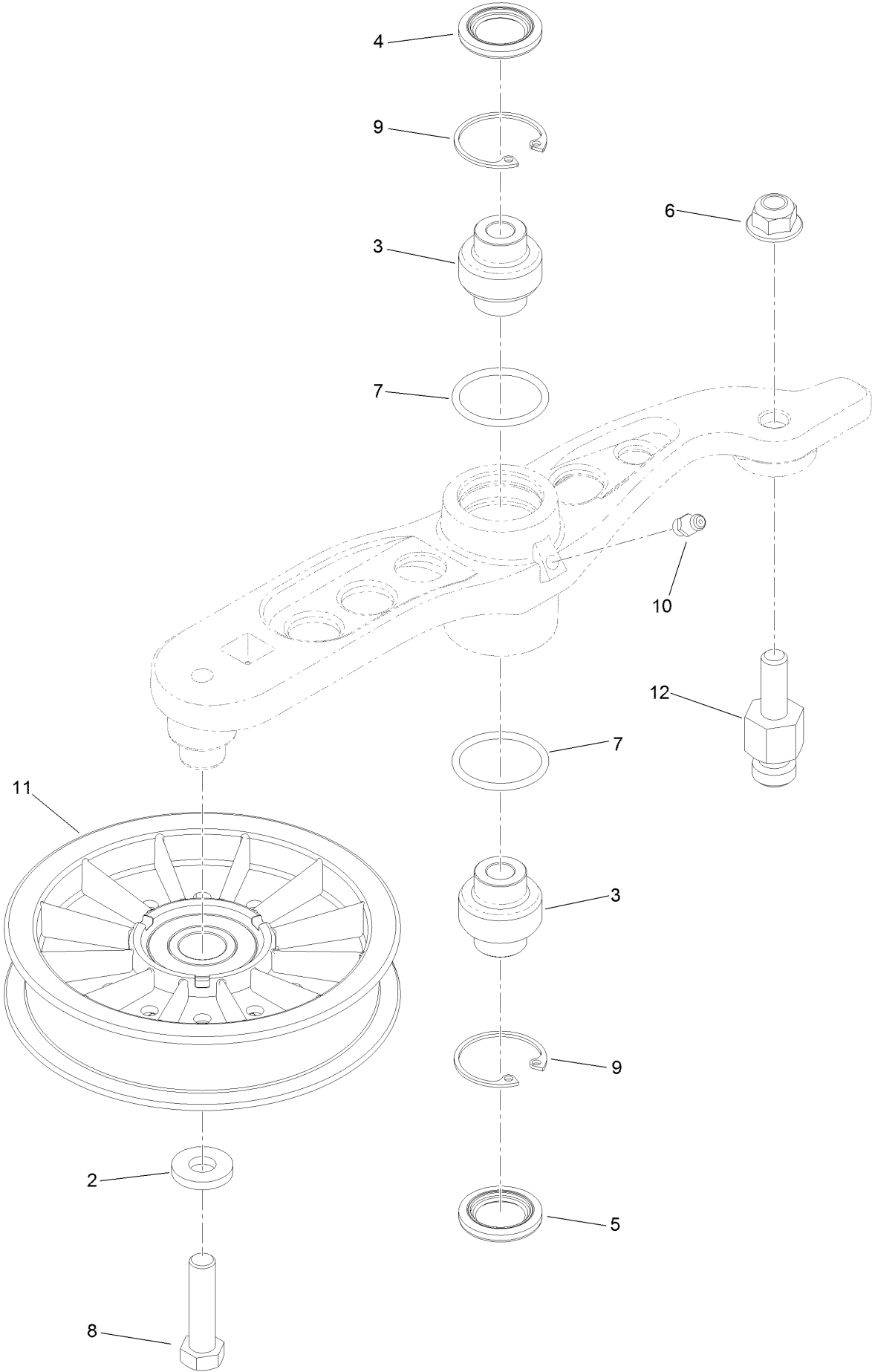


## Hydraulic Drive Assembly (continued)

<i>Ref.</i>	<i>Part Number</i>	<i>Qty.</i>	<i>Description</i>	<i>Ref.</i>	<i>Part Number</i>	<i>Qty.</i>	<i>Description</i>
1	116-1255	1	Pump Idler ASM	12:2	116-8726	1	Decal-Oil, Hydro
2	109-6658	1	Nut-Flange, NI	13	116-0171	1	RH Hydro Guard ASM
3	126-1323	1	LH Hydro ASM (12Cc W/ Shock)	13:2	116-8726	1	Decal-Oil, Hydro
4	109-3388	1	Belt	14	109-9057	1	Guard-Hydro, Rear (LH)
5	116-6317	1	Spring-Extension	15	109-9058	1	Guard-Hydro, Rear (RH)
6	116-7558	1	Cradle-Hydro	16	1-803035	2	Rivet-Pop
7	116-1502	1	Bolt-Shoulder, Carriage	17	116-2362	1	Deflector-Air Flow
8	126-0095	6	Screw-CARR	18	109-9905	1	Sheave
9	99-5107	6	Nut-Lock	19	1-807259	1	Key
10	325-8	4	Screw-HH	99	114-4713	1	Hypr-Oil 500 (Quart) ●
11	126-1324	1	RH Hydro ASM (12Cc W/ Shock)	99	114-4714	1	Hypr-Oil 500 (Gallon) ●
12	116-0170	1	LH Hydro Guard ASM	99	114-4715	1	Hypr-Oil 500-5 (5 Gallon) ●
				99	117-0390	1	Filter-Hydro ●

● Not illustrated

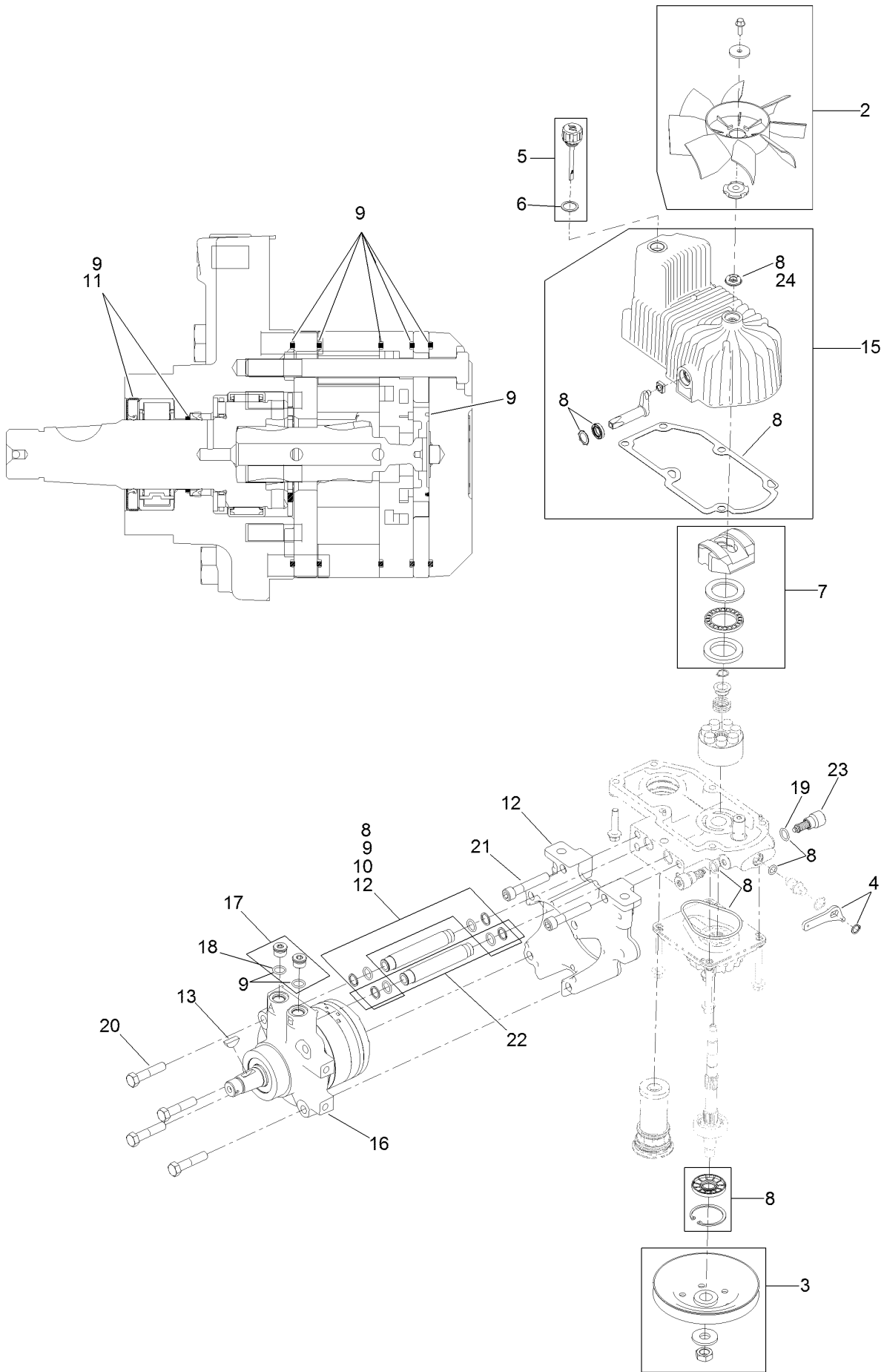
# Pump Idler Assembly No. 116-1255



## Pump Idler Assembly No. 116-1255 (continued)

<i>Ref.</i>	<i>Part Number</i>	<i>Qty.</i>	<i>Description</i>	<i>Ref.</i>	<i>Part Number</i>	<i>Qty.</i>	<i>Description</i>
2	43-0940	1	Spacer	8	323-8	1	Screw-HH
3	103-3504	2	Bearing-Spherical	9	32120-10	2	Ring-Snap
4	103-3505	1	Seal-Lip, Double	10	302-19	1	Fitting-Grease
5	103-3506	1	Seal-Lip, Single	11	109-8076	1	Pulley-Idler
6	109-6658	1	Nut-Flange, NI	12	132-4724	1	Pin-Anchor, Spring
7	106-7159	2	O-Ring				

# LH Hydro Assembly No. 126-1323



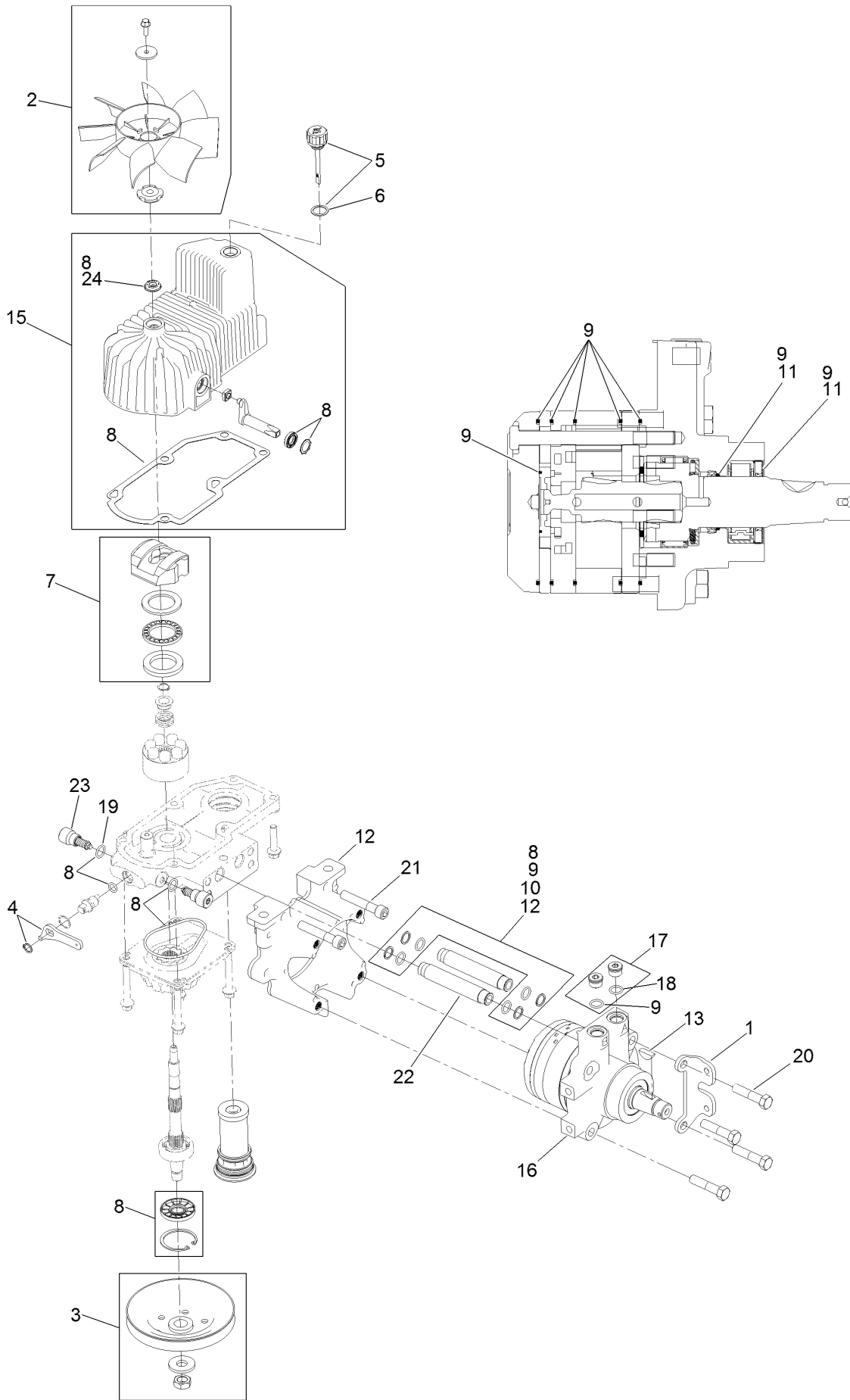


## LH Hydro Assembly No. 126-1323 (continued)

<i>Ref.</i>	<i>Part Number</i>	<i>Qty.</i>	<i>Description</i>	<i>Ref.</i>	<i>Part Number</i>	<i>Qty.</i>	<i>Description</i>
2	116-0233	1	Fan Kit	15	116-3287	1	Housing-LH
3	116-0234	1	Pulley Kit	16	116-8915	1	Motor-Hydraulic LH 240Cc
4	116-0235	1	Handle-Bypass Valve, Hydro	17	116-7901	1	Magnetic Plugs Service Kit
5	116-0236	1	Dipstick-Hydro W/Gasket	18	76-1900	2	O-Ring
6	116-0237	1	Gasket-Dipstick, Hydro	19	116-8662	2	O-Ring-Check Valve
7	116-1367	1	Swash Block Kit	20	116-8974	4	Screw HH
8	116-1368	1	Pump Seal Kit	21	116-8975	2	Screw-HSH
9	116-1369	1	Motor Seal Kit	22	116-9922	2	Hydraulic Tube Kit
10	116-1370	1	Tube Seal Kit	23	126-7466	2	Shock Valve, 12Cc Hydro
11	116-1371	1	Output Shaft Seal Kit	24	126-7711	1	Seal-Fan Drive
12	116-5469	1	Nose Cup-Uht	99	116-4245	1	Puller-Pulley ●
13	3257-42	1	Key-Woodruff	99	116-1373	1	Flow Test Kit ●

● Not illustrated

# RH Hydro Assembly No. 126-1324

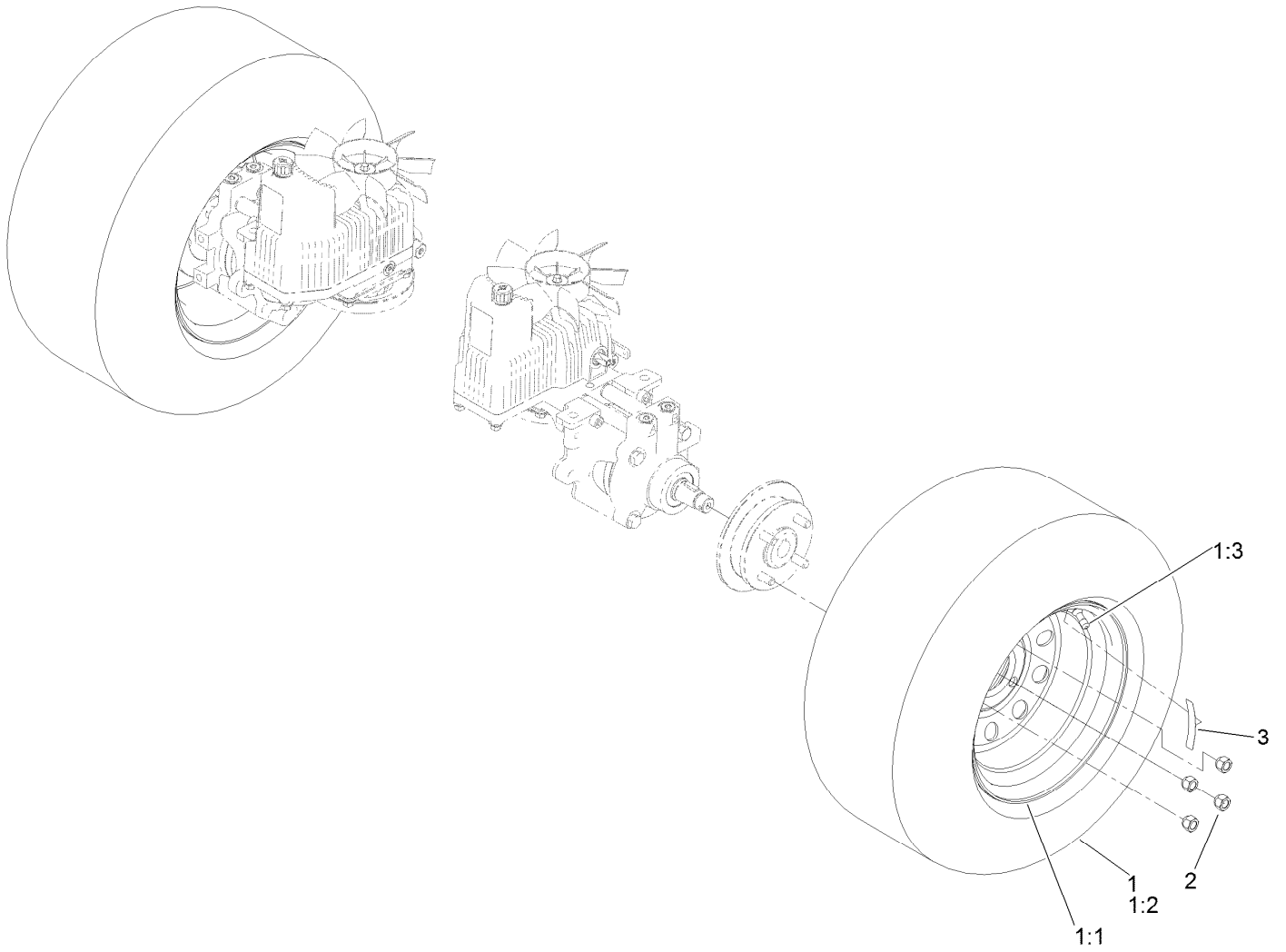


## RH Hydro Assembly No. 126-1324 (continued)

<i>Ref.</i>	<i>Part Number</i>	<i>Qty.</i>	<i>Description</i>	<i>Ref.</i>	<i>Part Number</i>	<i>Qty.</i>	<i>Description</i>
1	116-9063	1	Mount-Shoe, Horse	13	3257-42	1	Key-Woodruff
2	116-0233	1	Fan Kit	15	116-3288	1	Housing-RH
3	116-0234	1	Pulley Kit	16	116-8916	1	Motor-Hydraulic RH 240Cc
4	116-0235	1	Handle-Bypass Valve, Hydro	17	116-7901	1	Magnetic Plugs Service Kit
5	116-0236	1	Dipstick-Hydro W/Gasket	18	76-1900	2	O-Ring
6	116-0237	1	Gasket-Dipstick, Hydro	19	116-8662	2	O-Ring-Check Valve
7	116-1367	1	Swash Block Kit	20	116-8974	4	Screw HH
8	116-1368	1	Pump Seal Kit	21	116-8975	2	Screw-HSH
9	116-1369	1	Motor Seal Kit	22	116-9922	2	Hydraulic Tube Kit
10	116-1370	1	Tube Seal Kit	23	126-7466	2	Shock Valve, 12Cc Hydro
11	116-1371	1	Output Shaft Seal Kit	24	126-7711	1	Seal-Fan Drive
12	116-5469	1	Nose Cup-Uht	99	116-4245	1	Puller-Pulley ●
				99	116-1373	1	Flow Test Kit ●

● Not illustrated

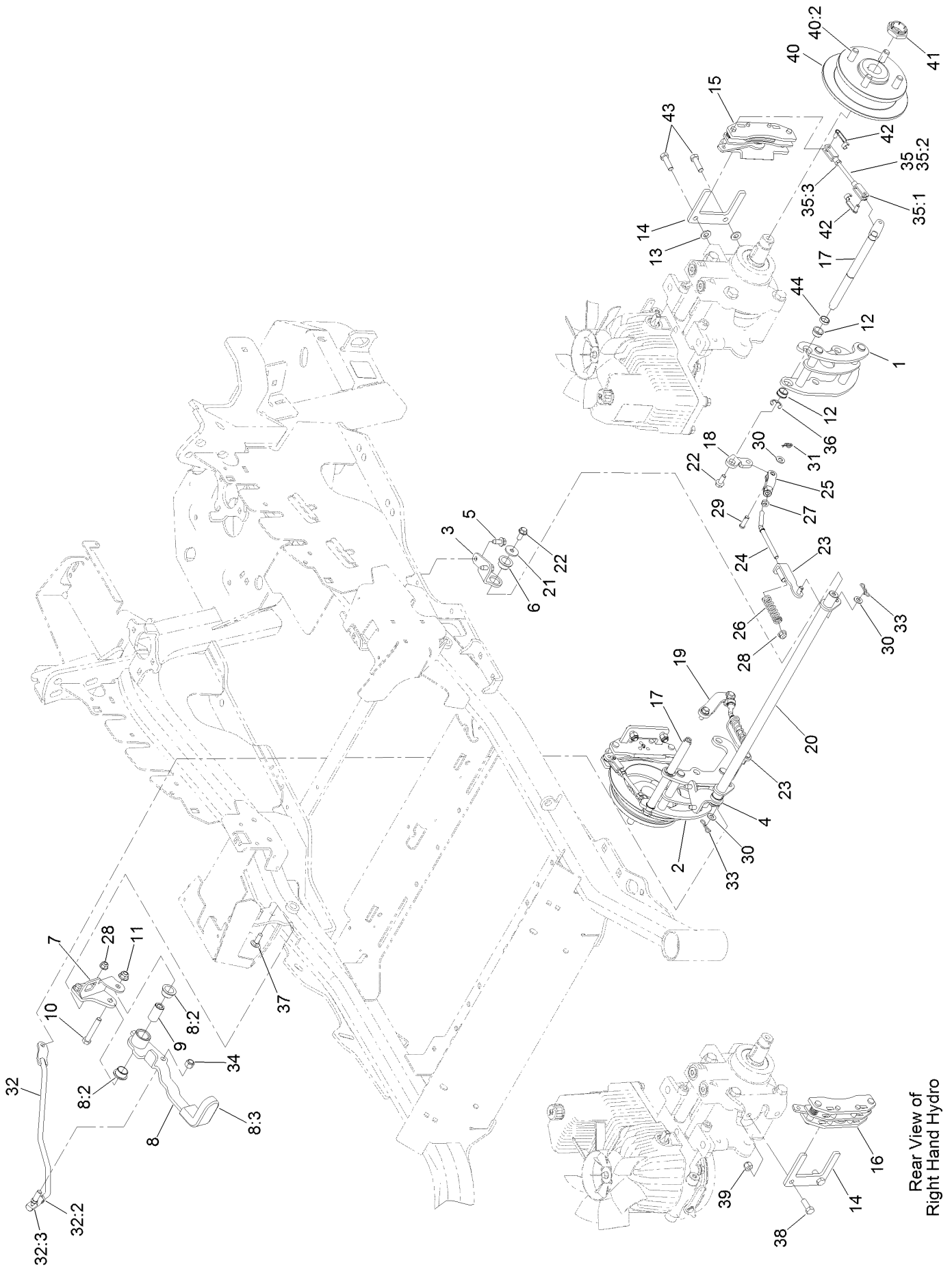
# Rear Wheel Assembly



## Rear Wheel Assembly (continued)

<i>Ref.</i>	<i>Part Number</i>	<i>Qty.</i>	<i>Description</i>	<i>Ref.</i>	<i>Part Number</i>	<i>Qty.</i>	<i>Description</i>
1	127-9520	2	Wheel And Tire ASM	2	242-50	8	Nut-Lug
1:1	127-9517	1	Wheel	3	126-2055	2	Decal-Torque, Wheel Hub
1:2	1-633993	1	Tire				Lug
1:3	232-27	1	Stem-Valve				

# Park Brake Assembly

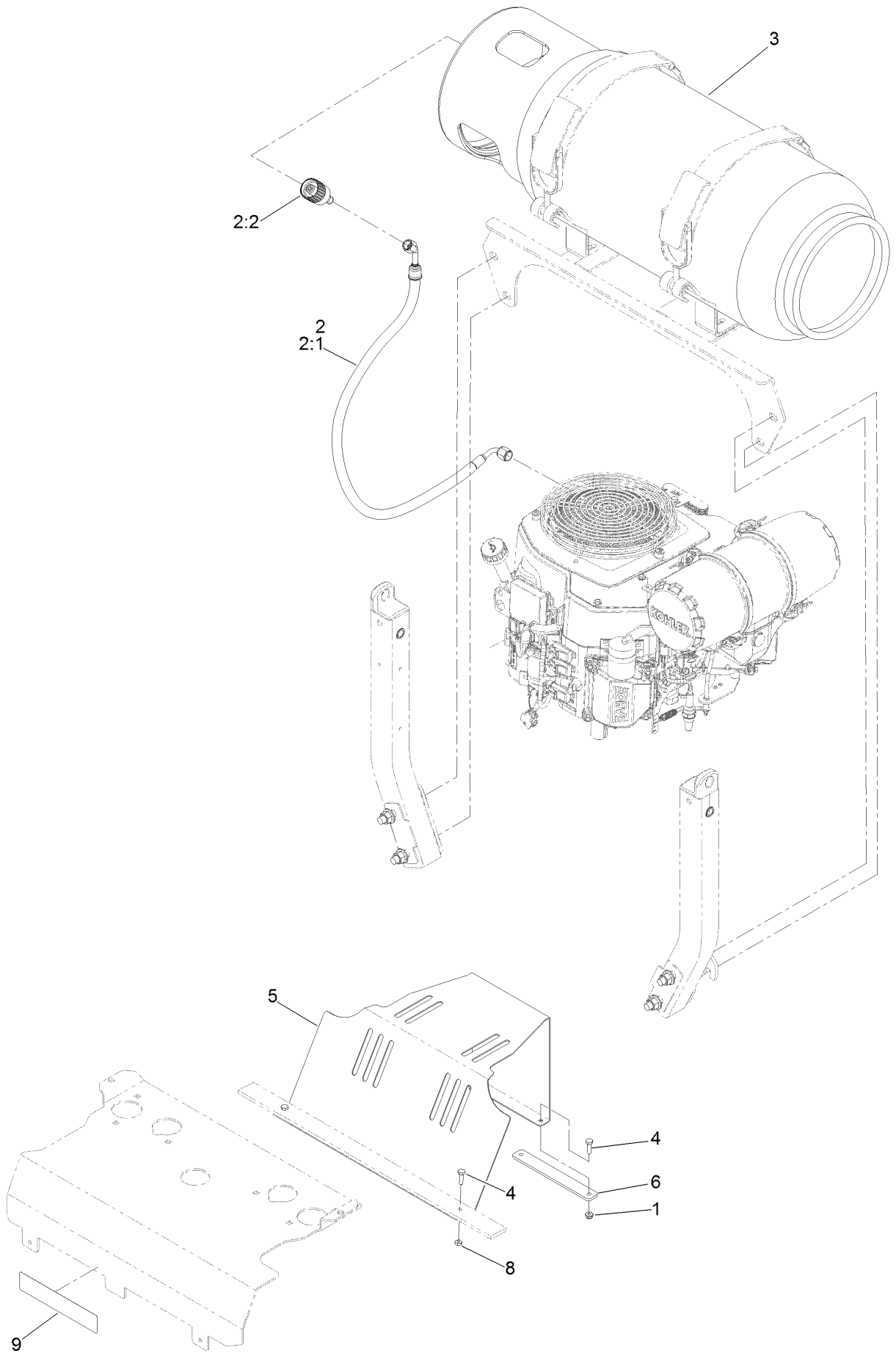


Rear View of  
Right Hand Hydro

## Park Brake Assembly (continued)

<i>Ref.</i>	<i>Part Number</i>	<i>Qty.</i>	<i>Description</i>	<i>Ref.</i>	<i>Part Number</i>	<i>Qty.</i>	<i>Description</i>
1	126-4248	1	Mount-Bellcrank, LH	25	126-3693	2	Yoke-Offset
2	126-4249	1	Mount-Bellcrank, RH	26	116-9085	2	Spring-Compression
3	116-9681	1	Mount-Pivot, LH	27	3220-2	2	Nut-Jam
4	116-9682	1	Mount-Pivot, RH	28	104-8300	4	Nut-HF, NI
5	32144-70	4	Screw-Thd Roll, HWH	29	1-808280	2	Pin-Clevis
6	109-8054	2	Bushing-Flange	30	3256-23	4	Washer-Plain
7	116-9096-01	1	Bracket-Mount	31	116-6639	2	Pin-Cotter, Locking
8	132-9406	1	Brake Lever ASM W/ Grip	32	116-9102	1	Front Linkage ASM
8:2	109-8054	2	Bushing-Flange	32:2	94-7572	1	End-Tie Rod, RH
8:3	132-4749	1	Grip-Lever	32:3	3220-3	1	Nut-HJ
9	116-9117	1	Handle-Pivot, Brake	33	119-1415	2	Pin-Cotter, Locking
10	323-11	1	Screw-HH	34	3296-6	1	Nut-Lock
11	104-8301	1	Nut-HF, NI	35	126-7587	2	Rear Linkage ASM
12	126-6199	4	Bushing	35:1	126-7588	2	Yoke
13	3256-24	2	Washer-Flat	35:2	116-9069	1	Linkage, Rear
14	109-0958	2	Plate-Mount, Brake	35:3	3220-1	1	Nut-Jam
15	109-2889	1	Caliper-Brake	36	32120-19	2	E-Ring
16	116-9103	1	Caliper-Brake, RH	37	3230-2	2	Bolt-CARR
17	126-4251	2	Bellcrank	38	323-6	2	Screw-HH
18	126-3715	1	Arm-Inner, LH	39	3296-39	2	Nut-Lock, NI
19	126-3716	1	Arm-Inner, RH	40	116-1746	2	Wheel Hub ASM
20	116-9080	1	Shaft-Cross	40:2	116-1696	4	Stud-Wheel
21	115-7109	2	Washer-Flat	41	116-1399	2	Locknut
22	98-9940	4	Screw	42	126-6395	4	Pin-Clevis, Spring
23	116-9609	2	Bracket-L	43	92-5727	2	Screw-Lock, Patch
24	116-9086	2	Linkage-Mid	44	126-6200	2	Spacer

# LPG Valve and Tank Assembly

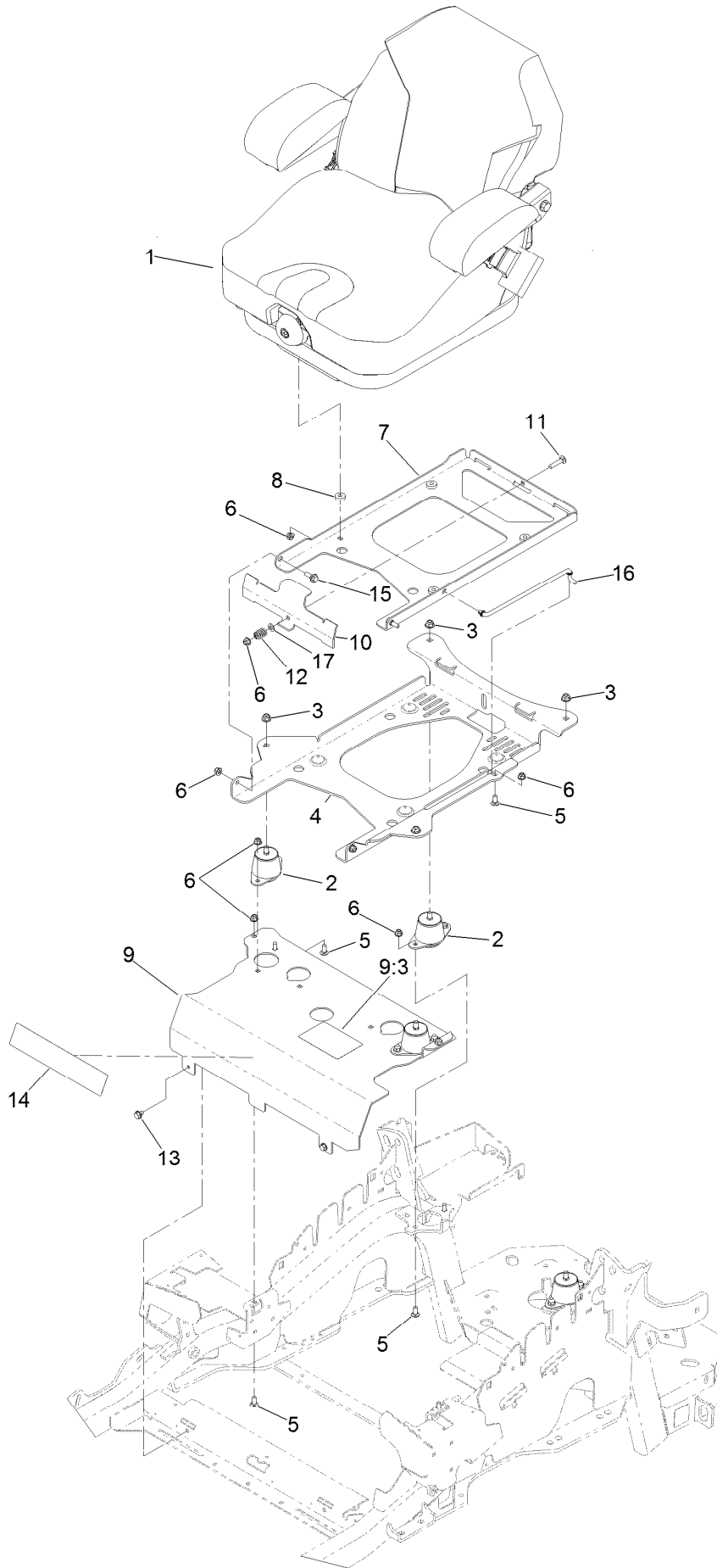




## LPG Valve and Tank Assembly (continued)

<i>Ref.</i>	<i>Part Number</i>	<i>Qty.</i>	<i>Description</i>	<i>Ref.</i>	<i>Part Number</i>	<i>Qty.</i>	<i>Description</i>
1	104-7201	2	Nut-HF	4	321-5	4	Screw-HH
2	126-8402	1	LPG Hose ASM	5	116-3358-03	1	Shield-Fan
2:1	126-6314	1	Hose ASM, LPG	6	116-3359-03	1	Strap
2:2	126-6204	1	Connector-LP, Straight	8	3218-1	2	Nut-Jam
3	126-4507	1	Tank-LPG	9	127-0308	1	Decal-Efi Propane

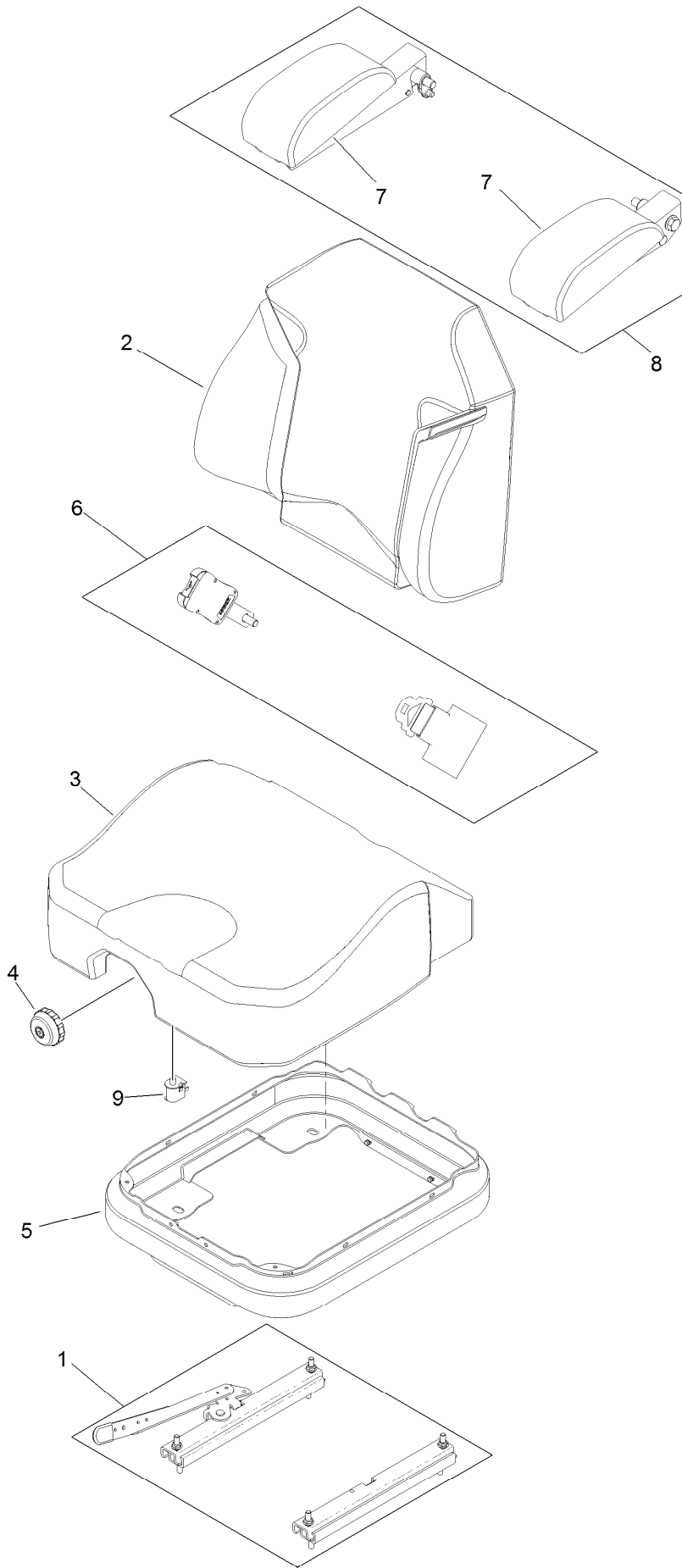
# Seat Mount Assembly



## Seat Mount Assembly (continued)

<i>Ref.</i>	<i>Part Number</i>	<i>Qty.</i>	<i>Description</i>	<i>Ref.</i>	<i>Part Number</i>	<i>Qty.</i>	<i>Description</i>
1	125-3107	1	Suspension Seat ASM	9:3	125-9383	1	Decal-Service Aid
2	109-9034	4	Isolator-Seat	10	109-9881-03	1	Plate-Latch, Seat
3	104-8301	4	Nut-HF, NI	11	3230-4	1	Bolt-CARR
4	116-3860-03	1	Plate-Tilt, Seat Support	12	107-3017	1	Spring-Compression
5	3230-23	11	Screw-CARR	13	9266934	2	Screw
6	104-8300	18	Nut-HF, NI	14	119-2507	1	Decal
7	116-3859-03	1	Plate-Frame, Seat	15	116-1297	2	Screw-Shoulder
8	26-4840	4	Spacer-Pin, Mounting	16	116-0070	1	Rod-Prop
9	127-0320	1	Seat Mount ASM	17	3256-23	1	Washer-Plain

# Seat Assembly No. 125-3107



## Seat Assembly No. 125-3107 (continued)

<i>Ref.</i>	<i>Part Number</i>	<i>Qty.</i>	<i>Description</i>	<i>Ref.</i>	<i>Part Number</i>	<i>Qty.</i>	<i>Description</i>
1	116-8910	1	Seat Track Set	6	126-2061	1	Seat Belt Service Kit
2	125-3112	1	Cover-Back	7	109-9802	1	Arm Rest Pad Set
3	125-3111	1	Cover-Cushion	8	109-9803	1	Arm Rest Set
4	116-8911	1	Knob-Adjuster	9	82-2190	1	Switch-Bail
5	116-5659	1	Cover-Suspension Bellows				

# Motion Control Assembly

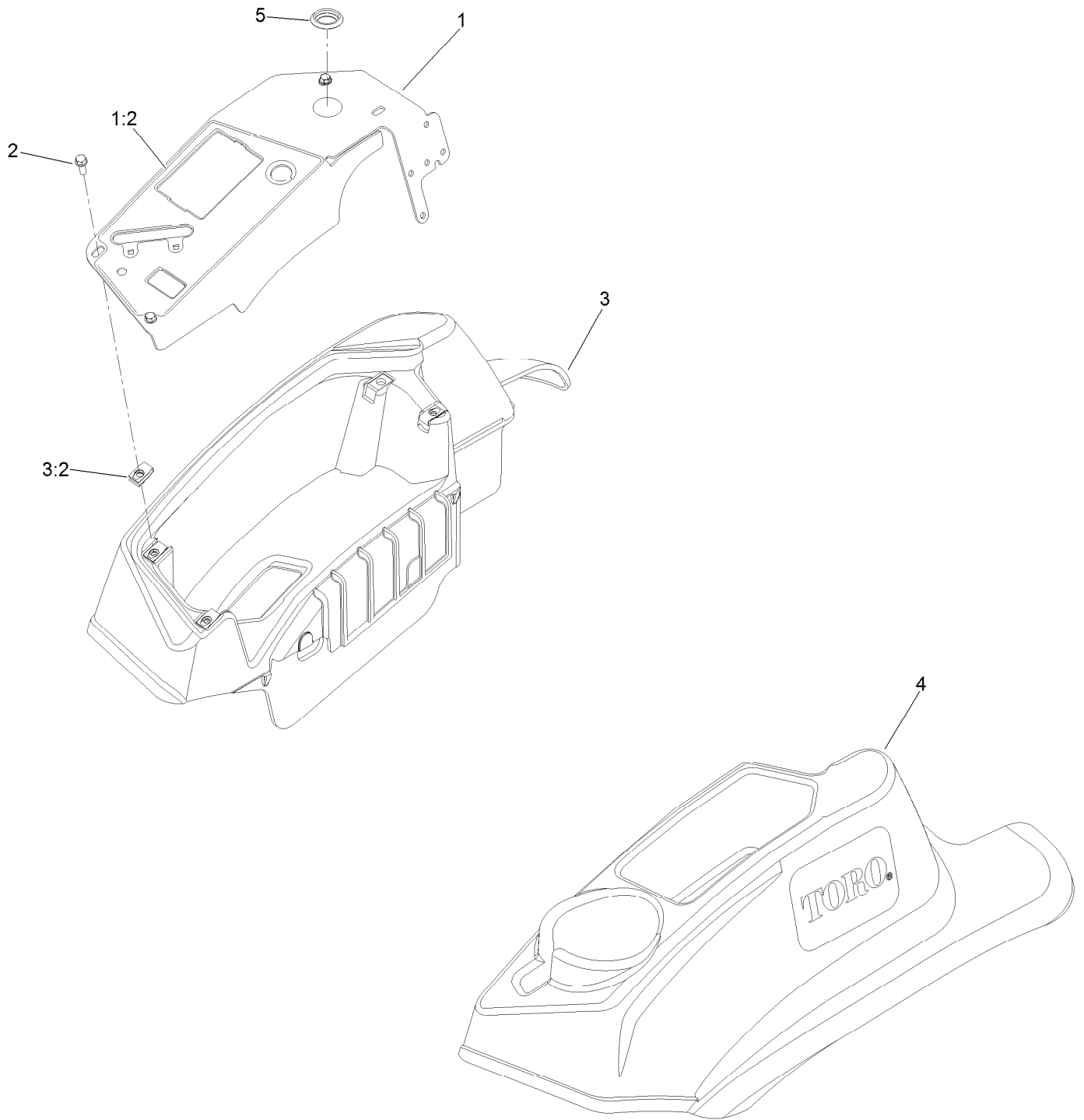


## Motion Control Assembly (continued)

<i>Ref.</i>	<i>Part Number</i>	<i>Qty.</i>	<i>Description</i>	<i>Ref.</i>	<i>Part Number</i>	<i>Qty.</i>	<i>Description</i>
1	116-0880	1	RH Motion Control And Bushing ASM	14	109-6589	1	RH Steering Handle ASM
1:2	109-8054	4	Bushing-Flange	14:1	109-5668	1	Grip-Control, Lever
2	116-0881	1	LH Motion Control And Bushing ASM	15	109-6590	1	LH Steering Handle ASM
2:2	109-8054	4	Bushing-Flange	15:1	109-5668	1	Grip-Control, Lever
3	116-0648	2	Screw-HH, Thread Locking ●	16	104-8301	4	Nut-HF, NI
4	109-4581	2	Arm-Control, Pump	17	323-7	4	Screw-HH
5	9080046	2	Screw-HH ●	18	109-5575	2	Spring-Leaf
6	1-303435	2	Washer-Spring	19	109-8106	2	Front Pump Linkage ASM
7	116-0027	2	Damper-Control, Motion	19:2	3219-2	2	Nut-Hex
8	104-8300	8	Nut-HF, NI	19:3	1-323245	2	Spring-Compression
9	3230-2	2	Bolt-CARR	19:4	1-633152	1	Balljoint-LH
10	109-5891	2	Hub-Threaded	19:5	1-543017	1	Balljoint-RH
11	325-12	2	Screw-HH	20	109-9505	4	Washer-Spring
12	116-0039	1	Lever-Control Motion, RH	21	3256-6	2	Washer-Flat
13	116-0040	1	Lever-Control Motion, LH	22	32128-56	2	Nut-HF
				23	3256-23	2	Washer-Plain
				24	3218-5	2	Nut-Jam
				25	115-1794	2	Screw-HHF

● Use Pro-Lock, Nut Type (P/N 1-840022, .5ml tube) on threads.

# Control Console Assembly

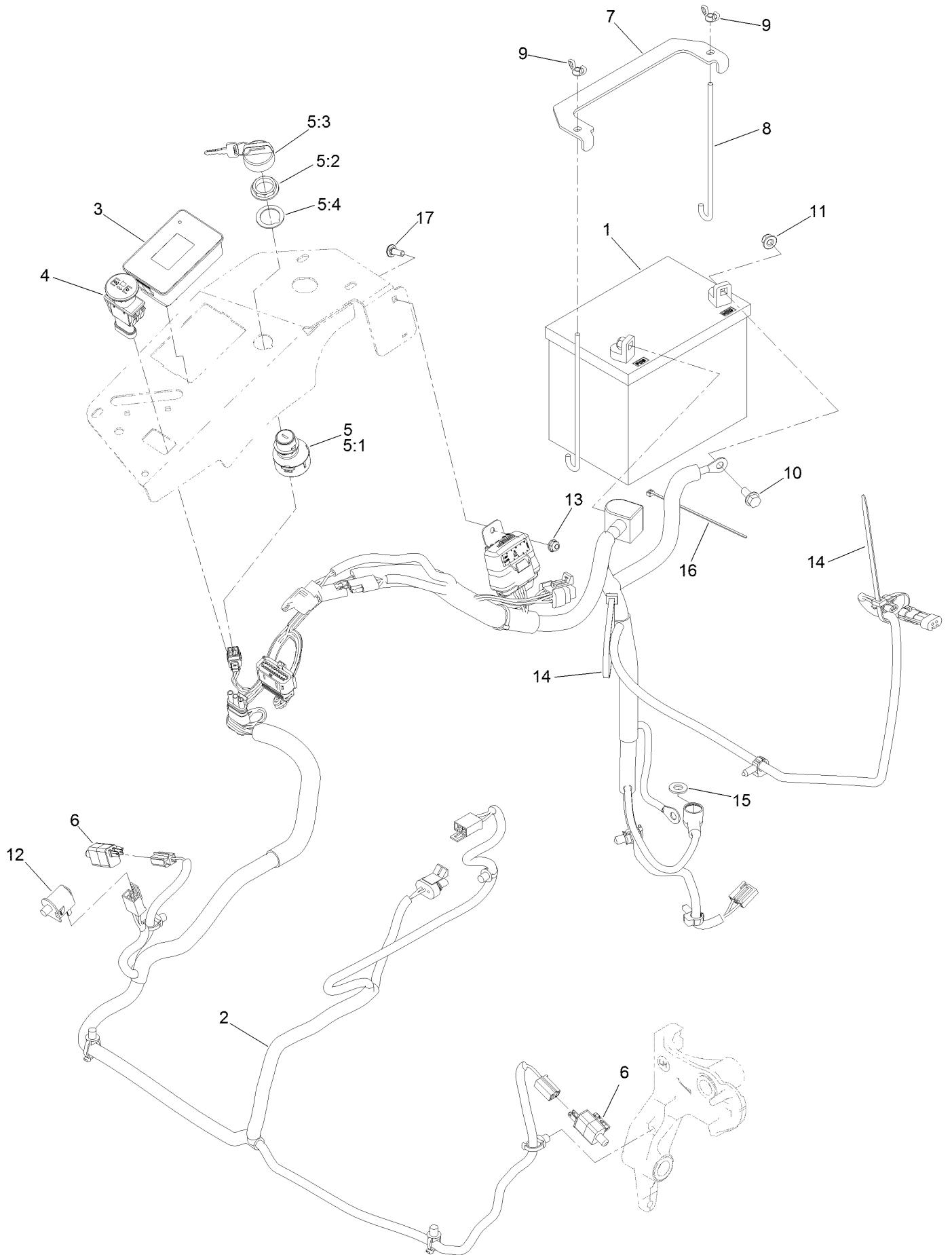




## Control Console Assembly (continued)

<i>Ref.</i>	<i>Part Number</i>	<i>Qty.</i>	<i>Description</i>	<i>Ref.</i>	<i>Part Number</i>	<i>Qty.</i>	<i>Description</i>
1	137-9200	1	Control Panel ASM	3:2	107069	4	Clip
1:2	137-9208	1	Decal-Panel, Control	4	119-2602	1	Console-LH
2	32105-15	4	Screw-HWH	5	116-1875	1	Plug-Plastic
3	119-2603	1	RH Console ASM				

# Electrical Assembly

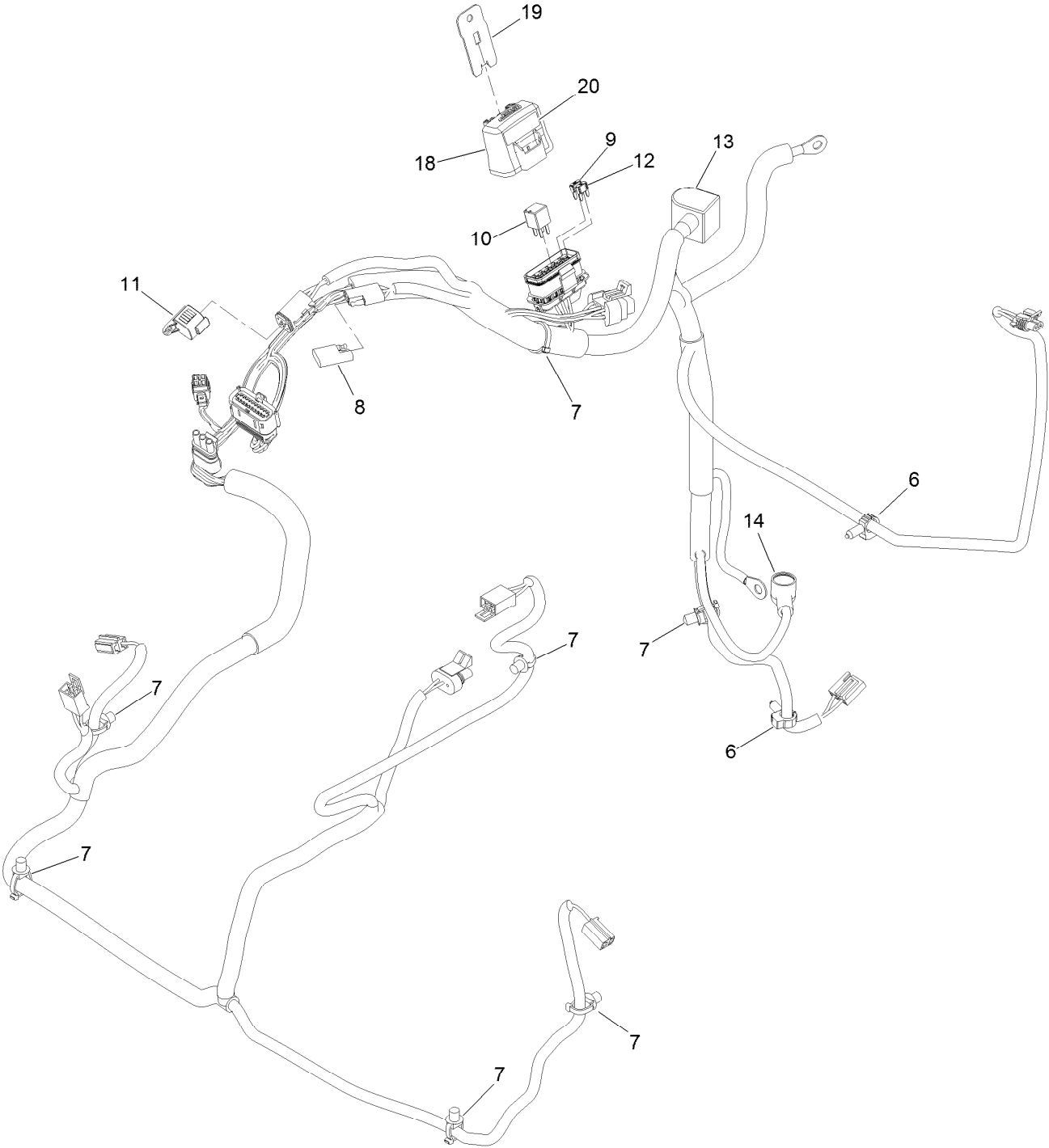


## Electrical Assembly (continued)

<i>Ref.</i>	<i>Part Number</i>	<i>Qty.</i>	<i>Description</i>	<i>Ref.</i>	<i>Part Number</i>	<i>Qty.</i>	<i>Description</i>
1	104-8162	1	Battery-Dry	8	1-633651	2	Bolt-Holddown
2	126-5875	1	Wire Harness ASM	9	1-543792	2	Wingnut
3	135-2471	1	Meter-Hour	10	3234-5	2	Screw-HHF
4	126-6187	1	Switch-PTO, Sealed	11	104-8300	2	Nut-HF, NI
5	126-6285	1	Ignition Switch ASM	12	82-2190	1	Switch-Bail
5:1		1	Switch-Ignition ●	13	104-7201	1	Nut-HF
5:2	108-8660	1	Nut-Mounting	14	1-303335	2	Tie-Plastic
5:3	106-5270	1	Ignition Key Set	15	3256-24	1	Washer-Flat
5:4	108-8659	1	Washer-Backup	16	1-303287	1	Tie-Cable
6	110-6765	2	Switch	17	1-807512	1	Bolt-CARR
7	116-0042-03	1	Strap-Tie Down, Battery				

● Not serviced separately

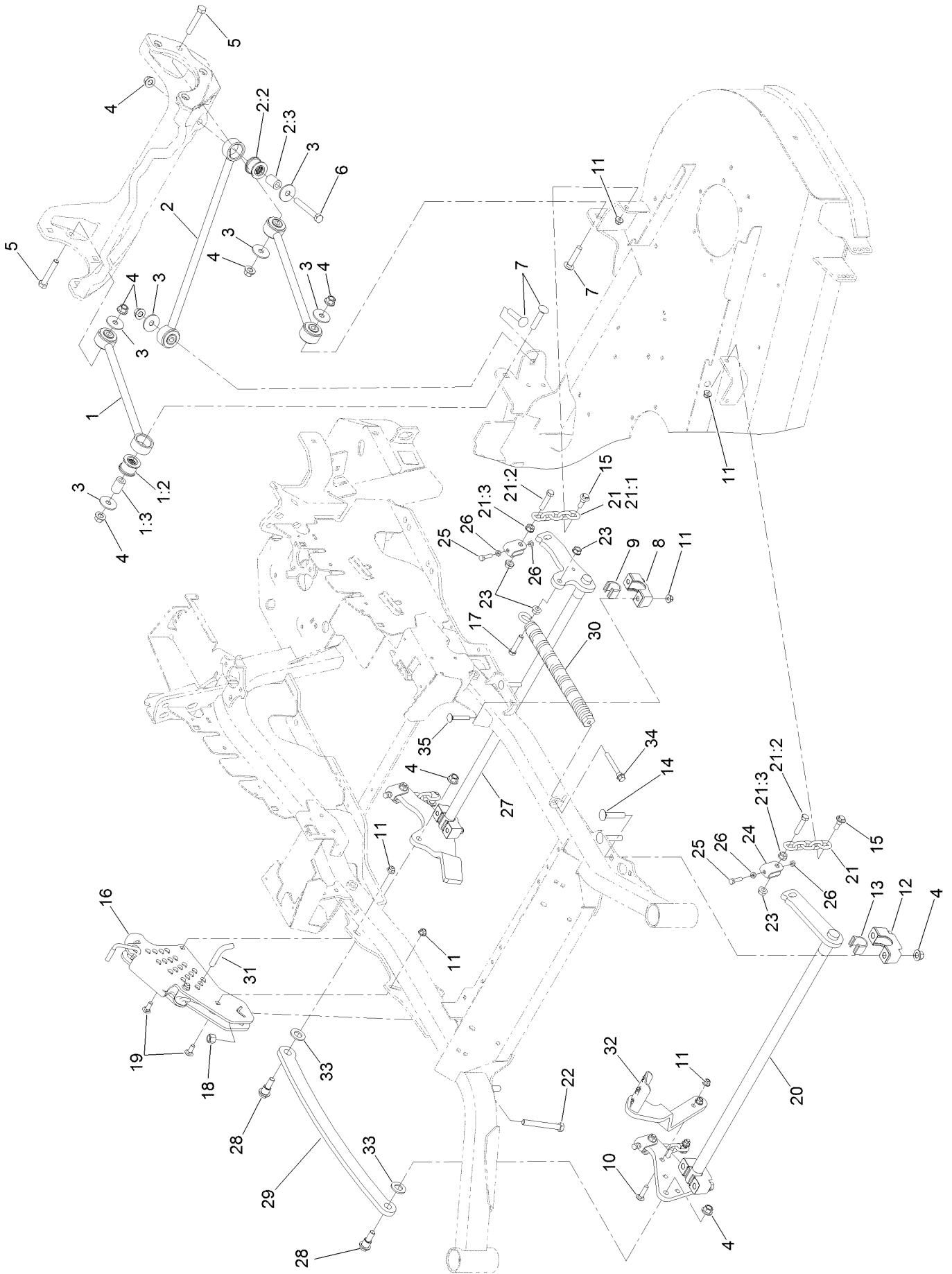
# Wire Harness Assembly No. 126-5875



## Wire Harness Assembly No. 126-5875 (continued)

<i>Ref.</i>	<i>Part Number</i>	<i>Qty.</i>	<i>Description</i>	<i>Ref.</i>	<i>Part Number</i>	<i>Qty.</i>	<i>Description</i>
6	32180-037	3	Clip-Harness	12	121-8867	1	Fuse-Mini Blade, 15 Amp
7	32180-030	6	Clip-Tie	13	126-8876	1	Insulator-Battery
8	32180-197	1	Cap-Plug	14	1-543393	1	Insulator-Solenoid
9	121-8868	1	Fuse-Mini Blade, 20 Amp	18	32180-176	1	Cover-Block, Fuse
10	126-3991	1	Relay-Micro	19	32180-177	1	Clip-Mounting
11	32180-156	1	Cap-Plug, 6 Way	20	126-7875	1	Decal-Fuse

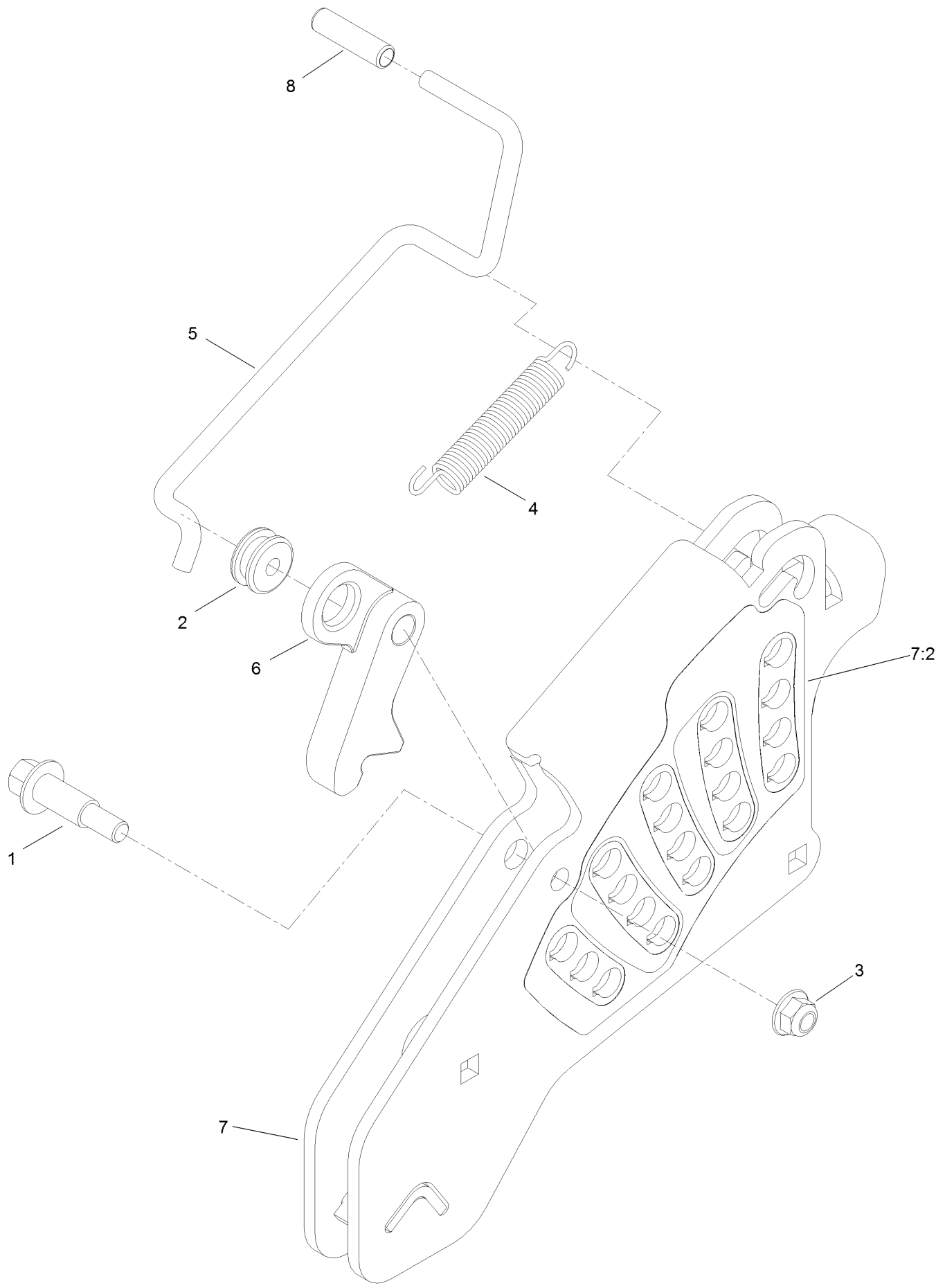
# Deck Lift Assembly



## Deck Lift Assembly (continued)

<i>Ref.</i>	<i>Part Number</i>	<i>Qty.</i>	<i>Description</i>	<i>Ref.</i>	<i>Part Number</i>	<i>Qty.</i>	<i>Description</i>
1	109-7952	2	Deck Strut ASM	16	109-7438	1	HOC ASM
1:2	109-5009	2	Bushing-Suspension, Rubber	17	109-9065	1	Screw-HH
1:3	109-5010	2	Spacer	18	3296-23	1	Nut-Lock, NI
2	109-5013	1	Panhard Rod ASM	19	3231-2	2	Bolt-CARR
2:2	109-5009	2	Bushing-Suspension, Rubber	20	126-2475-03	1	Decklift-Front
2:3	109-5010	2	Spacer	21	116-0756	4	Deck Lift Chain ASM
3	86-1990	6	Washer-Thrust	21:1	1-633447	1	Chain-Lift, Deck
4	99-5107	12	Nut-Lock	21:2	109-9065	1	Screw-HH
5	325-12	2	Screw-HH	21:3	32128-37	1	Nut-HF
6	325-17	1	Screw-HH	22	116-0559	1	Bolt-TAP
7	3233-34	3	Screw-CARR	23	32128-37	6	Nut-HF
8	127-0553	2	Support-Cross Shaft, Bearing Rear	24	109-9066	4	Yoke-Adjust, Deck
9	109-7173	2	Bearing-Cross Shaft, Rear	25	322-47	4	Screw-HH
10	3231-4	2	Screw-CARR	26	3218-2	8	Nut-Jam
11	104-8301	12	Nut-HF, NI	27	116-0459-03	1	Lift-Deck, Rear
12	109-9409	2	Support-Cross Shaft, Bearing	28	116-0780	2	Screw-Shoulder, HHF
13	109-9410	2	Bearing-Cross Shaft, Front	29	116-0797-03	1	Link-Lift, Deck
14	116-1700	4	Bolt-CARR	30	116-0000	1	Spring-Extension
15	109-9840	4	Screw-Shoulder, HHF	31	116-5584	1	Pin-HOC
				32	116-1919-01	1	Lever-Foot
				33	3256-28	2	Washer-Flat
				34	92-7674	1	Bolt-Shoulder
				35	3231-7	4	Screw-CARR

# Height-of-Cut Assembly No. 109-7438

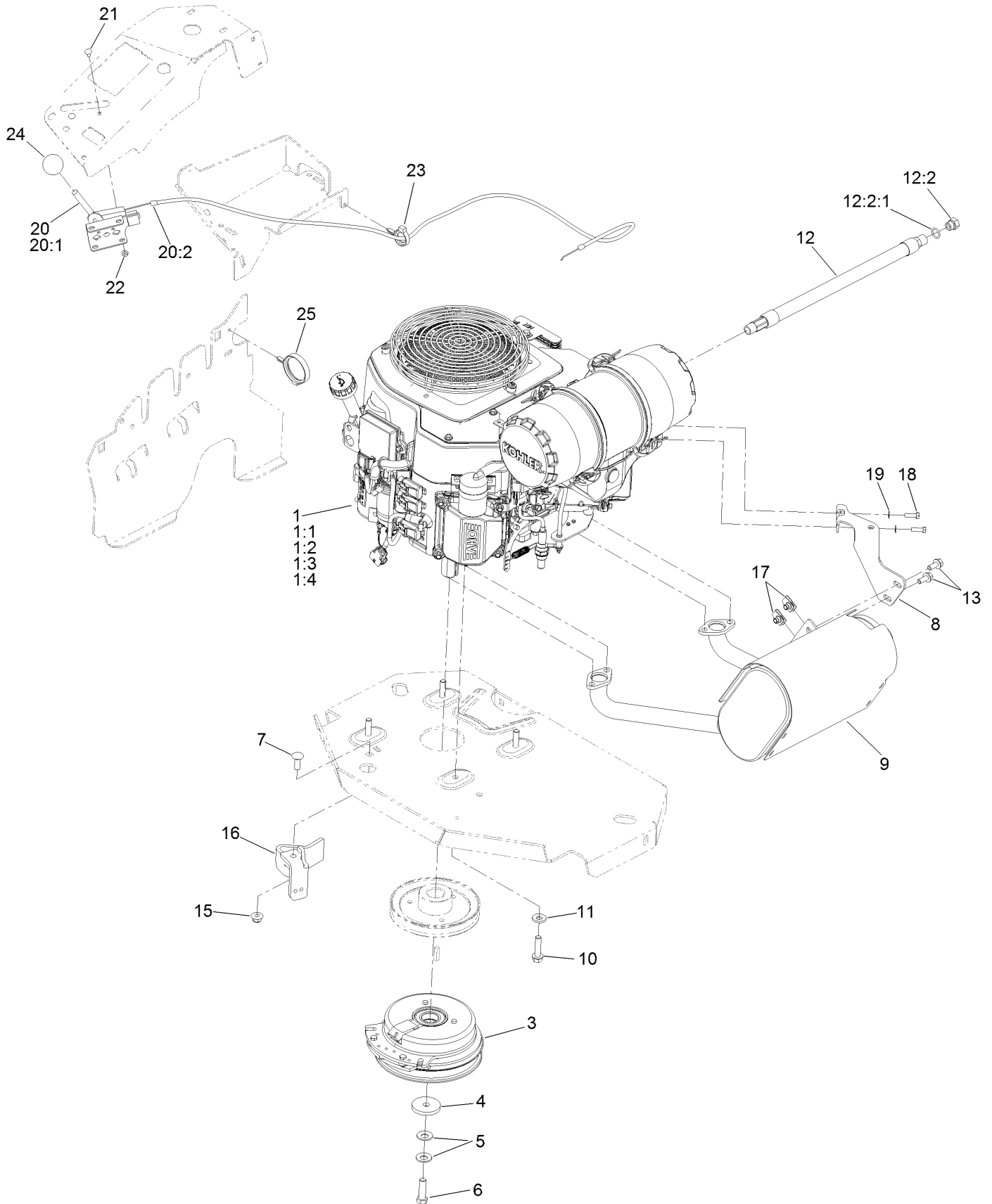




## Height-of-Cut Assembly No. 109-7438 (continued)

<i>Ref.</i>	<i>Part Number</i>	<i>Qty.</i>	<i>Description</i>	<i>Ref.</i>	<i>Part Number</i>	<i>Qty.</i>	<i>Description</i>
1	62-1330	1	Bolt-Shoulder	6	116-0118	1	Pawl-Transport, HOC
2	109-7130	1	Grommet	7	109-7335	1	HOC Plate ASM
3	104-8301	1	Nut-HF, NI	7:2	126-4398	1	Decal-HOC
4	109-7124	1	Spring-Extension	8	109-8250	1	Grip-Lever
5	109-7128	1	Rod-Lock, Transport				

# Engine, Clutch and Muffler Assembly



## Engine, Clutch and Muffler Assembly (continued)

<i>Ref.</i>	<i>Part Number</i>	<i>Qty.</i>	<i>Description</i>	<i>Ref.</i>	<i>Part Number</i>	<i>Qty.</i>	<i>Description</i>
1		1	Engine-Kohler Pcv740 ■▲	12	116-5316	1	Oil Drain Hose ASM
1:1	135-0337	1	Kohler 52 050 02-S Engine Oil Filter	12:2	353-508	1	Plug-HH ●
1:2	135-0338	1	Kohler 25 083 01-S Engine Air Filter	12:2:1	237-42	1	O-Ring
1:3	135-0339	1	Kohler 25 083 04-S Safety Filter	13	3234-5	2	Screw-HHF
1:4	135-3814	1	Kohler 25 050 50-S Propane Fuel Filter	15	104-8301	1	Nut-HF, NI
3	116-1620	1	Clutch Kit	16	116-2612-01	1	Clutch-Anchor
4	109-6919	1	Washer-Clutch	17	94-2413	2	Nut-U
5	1-603610	2	Washer-Spring	18	116-4295	2	Screw-HH
6	109-9761	1	Screw-HH ◆	19	1-303435	2	Washer-Spring
7	3231-22	1	Screw-CARR	20	115-2752	1	Throttle Control ASM
8	116-4297	1	Muffler Bracket Kit	20:1	112-2334	1	Lever-Throttle
9	135-2127	1	Muffler Kit	20:2	115-3868	1	Cable-Throttle
10	32144-102	4	Screw-HWH	21	1-807513	2	Bolt-CARR
11	98-5975	4	Washer-Belleville	22	3296-2	2	Nut-Lock, NI
				23	105-1853	1	Clamp-Hose
				24	1-603175	1	Knob-Ball
				25	117-7817	1	Clamp-Harness

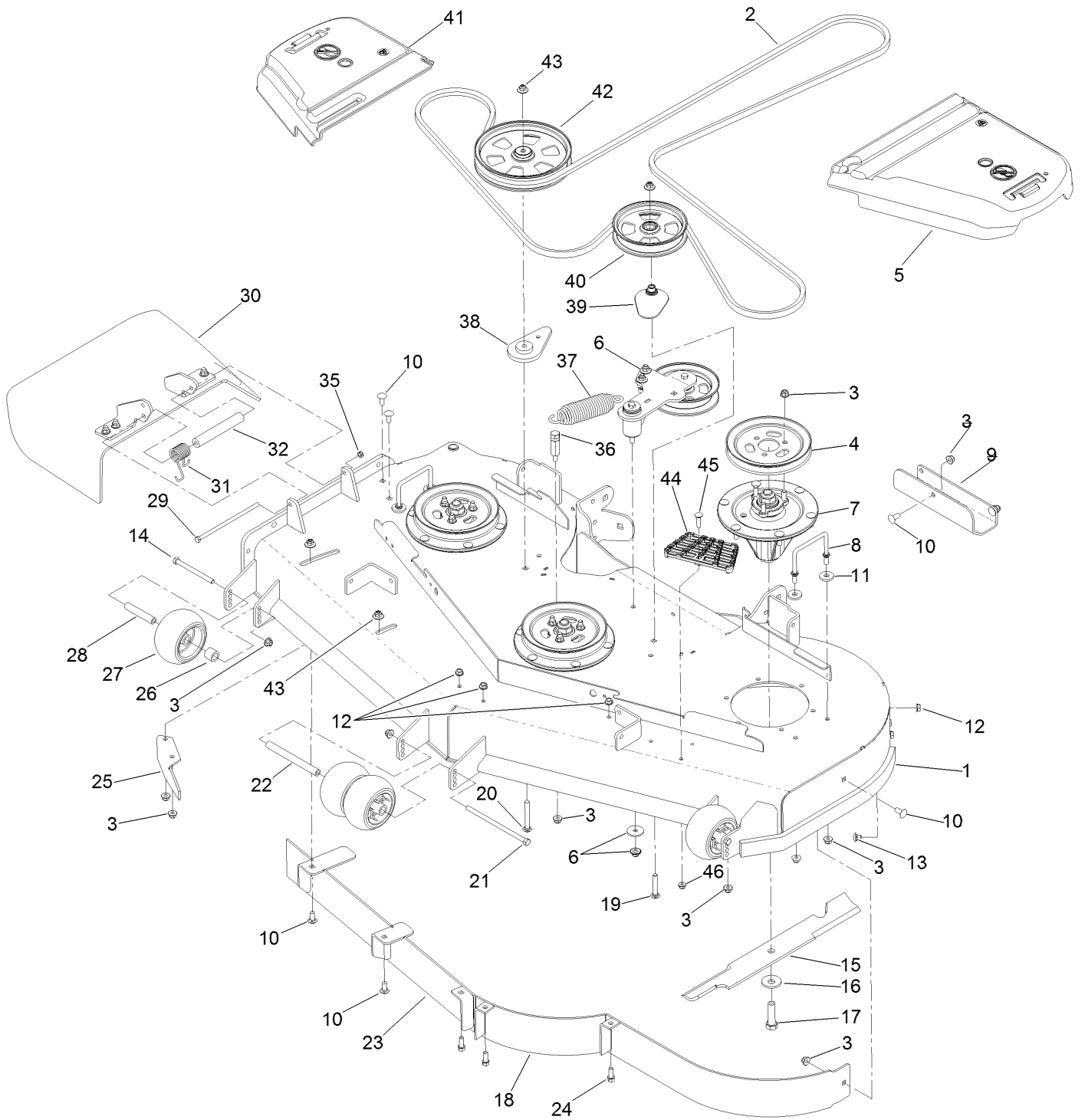
● Torque to 24-26 ft-lb

▲ Obtain parts from [www.kohlerplus.com](http://www.kohlerplus.com)

◆ Use Pro-Lock, Nut Type (P/N 1-840022, .5ml tube) on threads.

■ Not serviced separately

# Deck Assembly

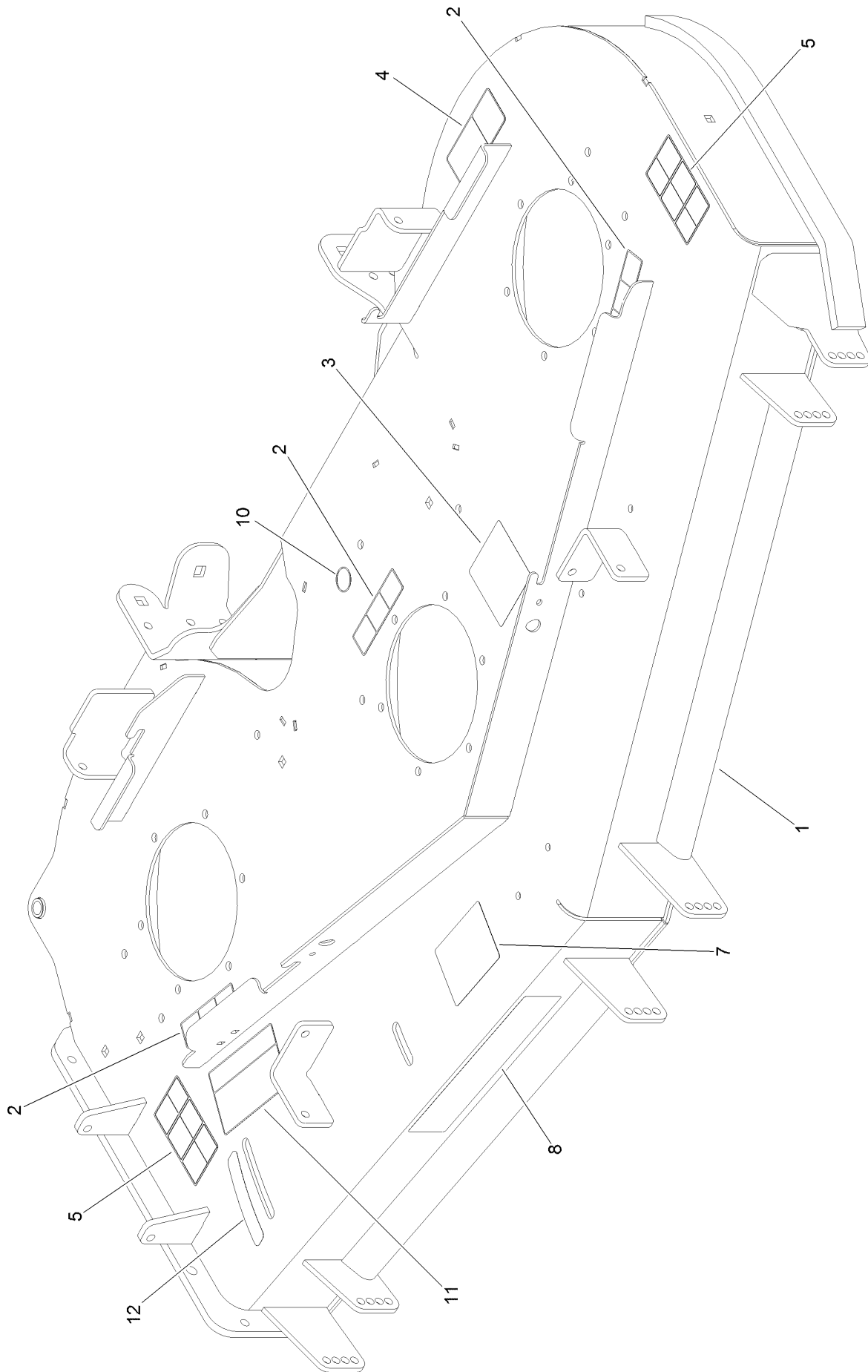


## Deck Assembly (continued)

<i>Ref.</i>	<i>Part Number</i>	<i>Qty.</i>	<i>Description</i>	<i>Ref.</i>	<i>Part Number</i>	<i>Qty.</i>	<i>Description</i>
1	136-8639	1	Deck Decal ASM	24	92-1624	3	Screw-HWH
2	114-5858	1	Belt-V	25	106-3216-01	1	Baffle-Discharge
3	104-8301	42	Nut-HF, NI	26	98-7913	2	Tube-Spacer
4	105-7734	3	Pulley	27	1-603299	4	Roller-Scalp, Anti
5	109-6938	1	Cover-Belt, LH	28	98-7912	2	Tube-Spanner
6		1	Idler Arm ASM ●	29	322-50	1	Screw-HH
7	127-0560	3	Spindle ASM	30	108-2792	1	Rubber Deflector ASM
8	109-6982	2	Wireform-Cover	31	108-4052	1	Spring-Torsion
9	121-8031-01	1	Plate-Skid	32	105-4622	1	Spacer
10	3231-27	9	Screw-CARR	35	3296-47	1	Nut-Lock, NI
11	1-373034	4	Washer	36	114-5867	1	Anchor-Spring, Tall
12	3290-357	6	Nut-HHF, Whiz	37	116-6317	1	Spring-Extension
13	108-5387	3	Screw-CARR	38	109-9416	1	Spacer-Idler
14	323-23	2	Screw-HH	39	109-2872	1	Spacer-Pulley
15	105-7718-03	3	Blade-Hi Flow	40	136-5404	1	Pulley-Idler, Flat
16	103-0865	3	Washer-Blade Bolt, Heavy	41	116-0094	1	Cover-Belt, RH
17	51-4060	3	Screw-Blade	42	132-4734	1	Pulley-Idler, Flat
18	114-5842-01	1	Baffle	43	109-6658	4	Nut-Flange, NI
19	3231-40	1	Bolt-CARR, Short Neck	44	126-4781-03	1	Step-Deck
20	3231-42	1	Screw-CARR	45	3230-3	1	Screw-CARR
21	108-5388	1	Screw-HH	46	104-8300	1	Nut-HF, NI
22	98-5967	1	Spacer-Wheel				
23	115-7465-01	1	Baffle				

● Not serviced separately

# Deck Decal Assembly No. 136-8639

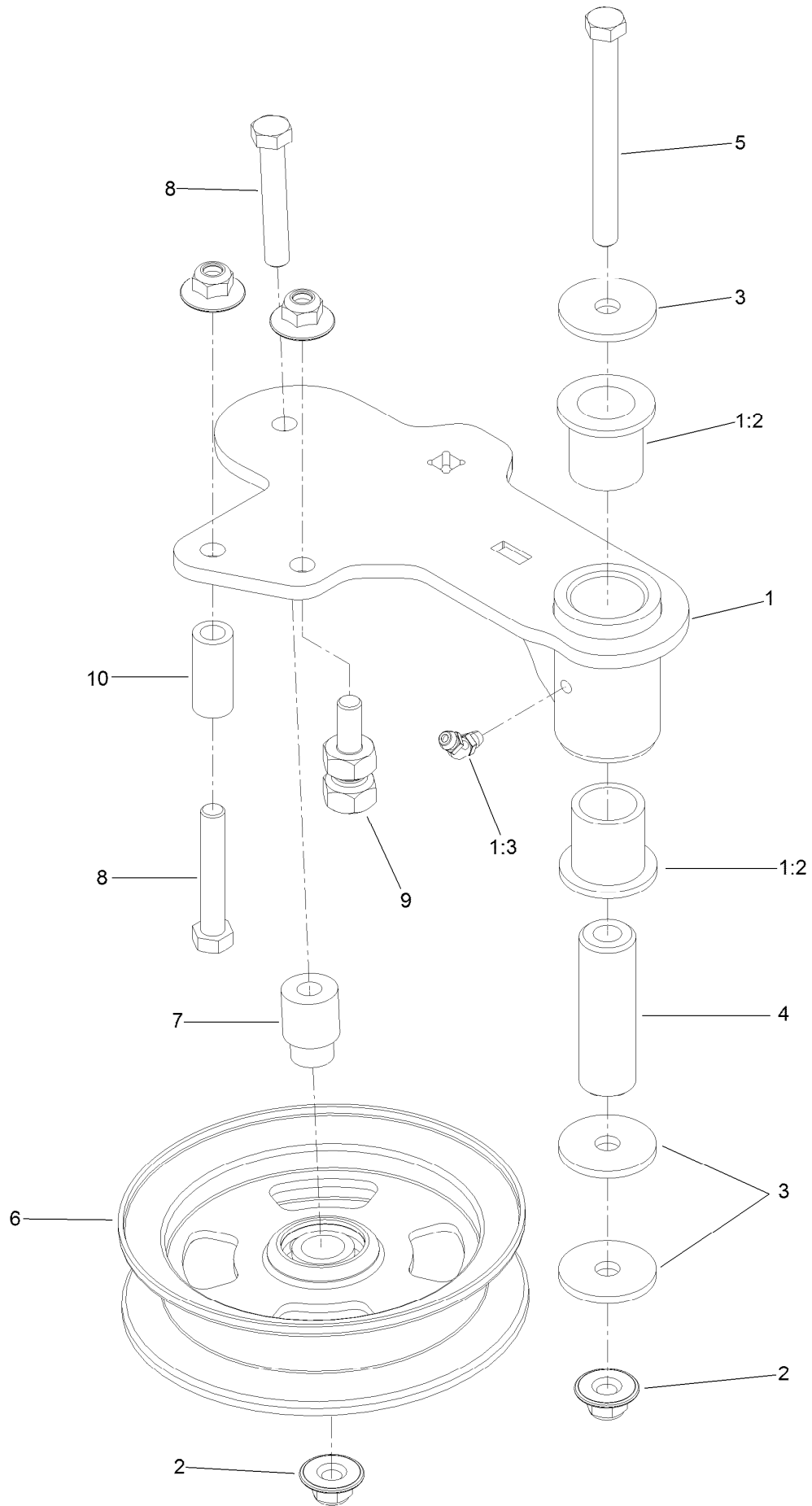


## Deck Decal Assembly No. 136-8639 (continued)

<i>Ref.</i>	<i>Part Number</i>	<i>Qty.</i>	<i>Description</i>	<i>Ref.</i>	<i>Part Number</i>	<i>Qty.</i>	<i>Description</i>
1		1	Deck Decal ASM ●	7	127-0326	1	Decal-Scalp, Anti
2	112-9028	3	Decal-Cover, Missing	8	107-1619	1	Decal
3	136-5508	1	Decal-Routing, Deck Belt	10	58-6520	1	Decal-Grease
4	93-7818	1	Decal-Torque, Blade Bolt	11	110-2068	1	Decal-Adjustment, Baffle
5	117-3848	2	Decal-Danger	12	110-2067	1	Decal-Setting, Baffle

● Not serviced separately

# Idler Arm Assembly

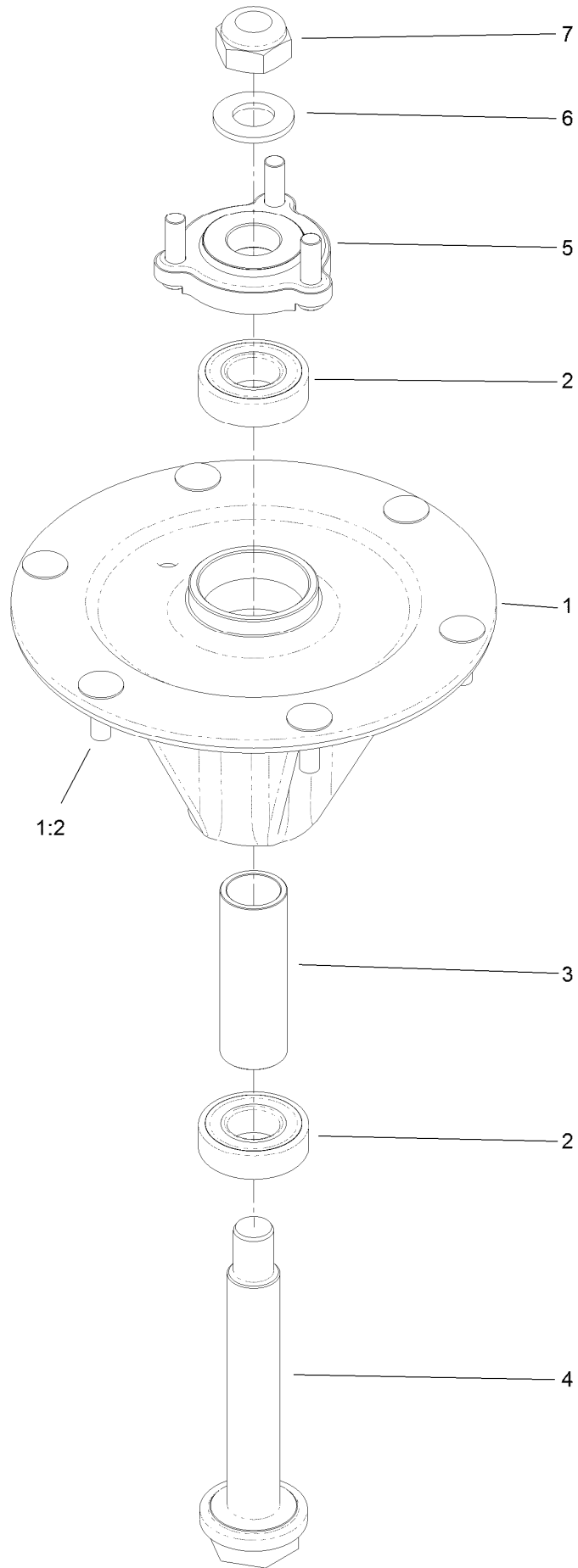




## Idler Arm Assembly (continued)

<i>Ref.</i>	<i>Part Number</i>	<i>Qty.</i>	<i>Description</i>	<i>Ref.</i>	<i>Part Number</i>	<i>Qty.</i>	<i>Description</i>
1	114-5870	1	Idler Arm ASM	5	98-5961	1	Screw-HH
1:2	1-303514	2	Bearing-Flanged	6	132-9425	1	Pulley-Idler, Flat
1:3	1481	1	Fitting-Grease	7	112-4212	1	Mount-Pulley
2	109-6658	4	Nut-Flange, NI	8	323-11	2	Screw-HH
3	1-213069	3	Washer	9	132-4729	1	Anchor-Spring, Short
4	114-5848	1	Spacer-Plain	10	104-0151	1	Spacer

# Spindle Assembly No. 127-0560

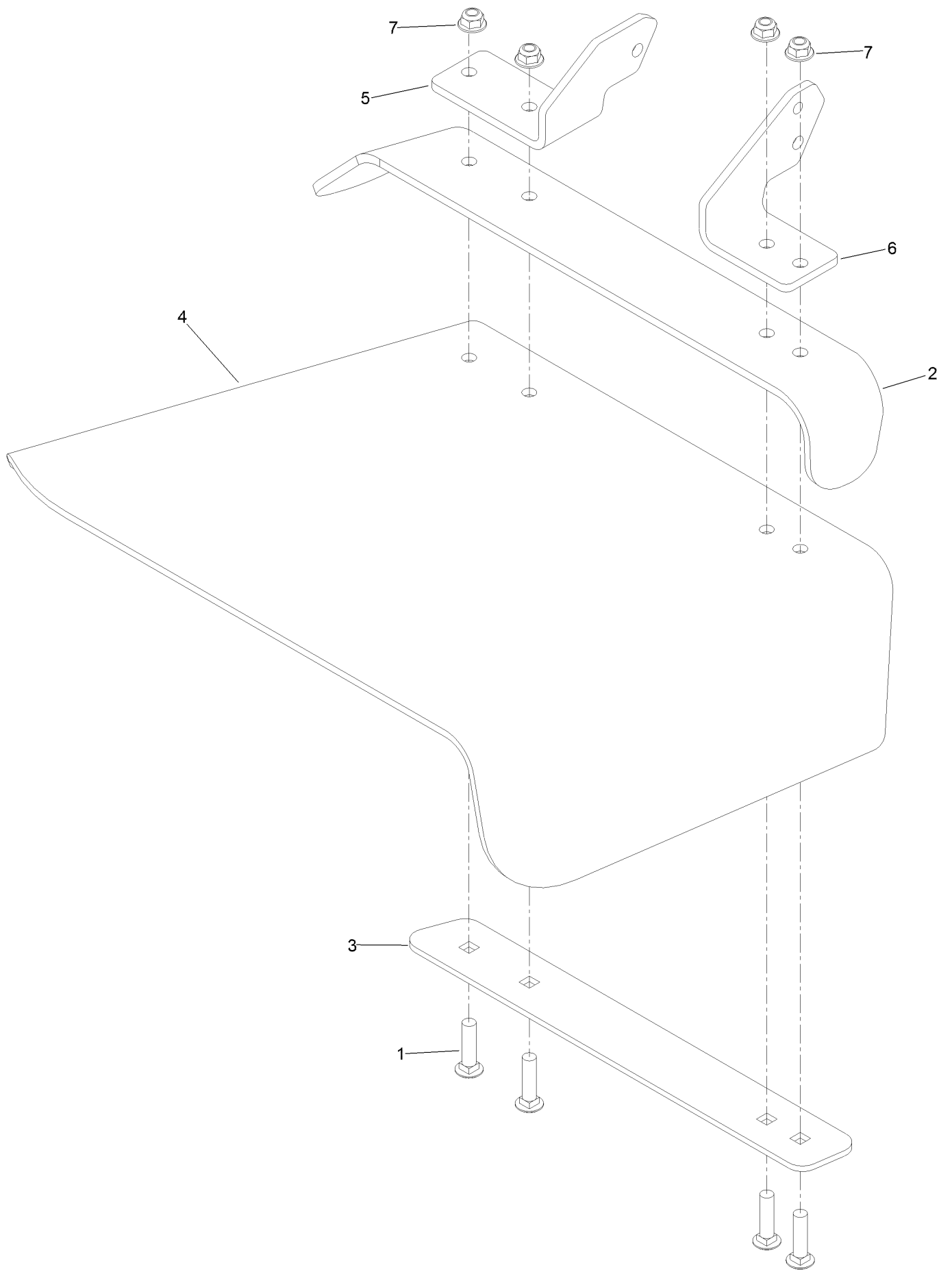


## Spindle Assembly No. 127-0560 (continued)

<i>Ref.</i>	<i>Part Number</i>	<i>Qty.</i>	<i>Description</i>	<i>Ref.</i>	<i>Part Number</i>	<i>Qty.</i>	<i>Description</i>
1		1	Spindle Housing ASM W/Studs ●	4	127-0556	1	Shaft-Spindle, Ball Bearing
1:2	114-8195	6	Bolt-Ribbed Neck	5	127-0557	1	Hub-Spindle (W/Studs)
2	116-0720	2	Bearing-Ball	6	92-5836	1	Washer
3	127-0554	1	Spacer-Bearing	7	3296-67	1	Nut-Lock, NI

● Not serviced separately

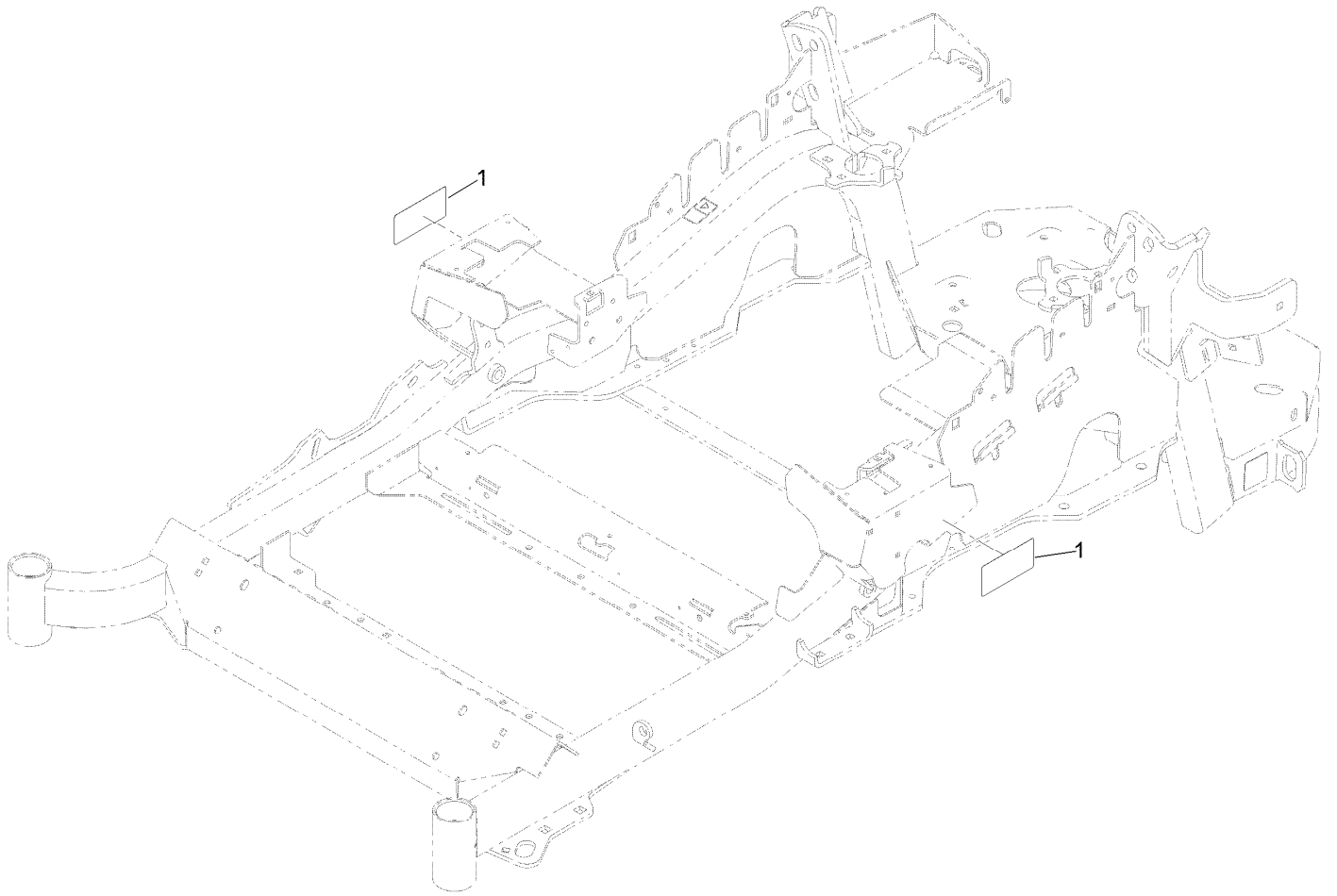
# Rubber Deflector Assembly No. 108-2792



# Rubber Deflector Assembly No. 108-2792 (continued)

<i>Ref.</i>	<i>Part Number</i>	<i>Qty.</i>	<i>Description</i>	<i>Ref.</i>	<i>Part Number</i>	<i>Qty.</i>	<i>Description</i>
1	3231-4	4	Screw-CARR	5	108-4059-01	1	Plate-Hinge, Rear
2	106-3246-01	1	Deflector	6	106-3253-01	1	Plate-Hinge, Front
3	106-3248-03	1	Strap-Discharge	7	104-8301	4	Nut-HF, NI
4	108-5029	1	Deflector-Rubber				

# Frame Decal Assembly



## Frame Decal Assembly (continued)

<i>Ref.</i>	<i>Part Number</i>	<i>Qty.</i>	<i>Description</i>
1	120-5894	2	Decal

# Attachments and Accessories

## For 74933 Z Master Professional 5000 Series Riding Mower with 60in TURBO FORCE Side Discharge Mower

<b>Product Name</b>	<b>Model/Part</b>
Deluxe Seat Kit.....	121-7595
Recycler Kit .....	115-7468
Operator Controlled Discharge Chute Kit.....	117-3600
Bimini Folding Shade Assembly .....	115-4510
Z Stand Kit.....	121-4811
Seat Cover W/arm rest .....	117-0095
Power Deck Lift Kit .....	132-5986
Light Kit.....	116-1154
Hitch Kit .....	109-9487
Trash Holder Kit.....	TC26
Jack Kit.....	127-6666
Spark Arrestor Screen .....	75-6880
Blade-Hi Flow, 20.5in.....	105-7718-03
Blade-Mid Flow, 20.5in .....	105-7715-03
Blade-Lo Flow, 20.5in .....	105-7716-03
Blade-Atomic, 20.5in .....	105-8777-03
Blade-Recycler, 20.5in.....	105-7777-03
6 Pack Blade, 20.5in Hi-Flow .....	108-1114
6 Pack Blade, 20.5in Mid-Flow .....	108-1123
6 Pack-Blade, 20.5in Lo Flow .....	108-1128
6 Pack-Blade, 20.5in Atomic.....	108-1115
6 Pack-Blade, 20.5in Recycler.....	110-0405
Roller Striper Kit.....	115-7470
Filter Minder Gauge .....	99-4664
Anti-Scalp Kit (Trim Side).....	108-4140
Turbo Baffle Kit .....	107-1634
Seat Tilt Frame And Iso Mount Kit.....	121-7596
Jack Mount Kit.....	127-6665
Toro Deluxe Rider Cover.....	490-7319
Hypr-Oil 500 (quart).....	114-4713
Hypr-Oil 500 (gallon).....	114-4714
Hypr-Oil 500-5 (5 gallon).....	114-4715



**Notes:**

**Notes:**

**Notes:**



**Count on it.**