

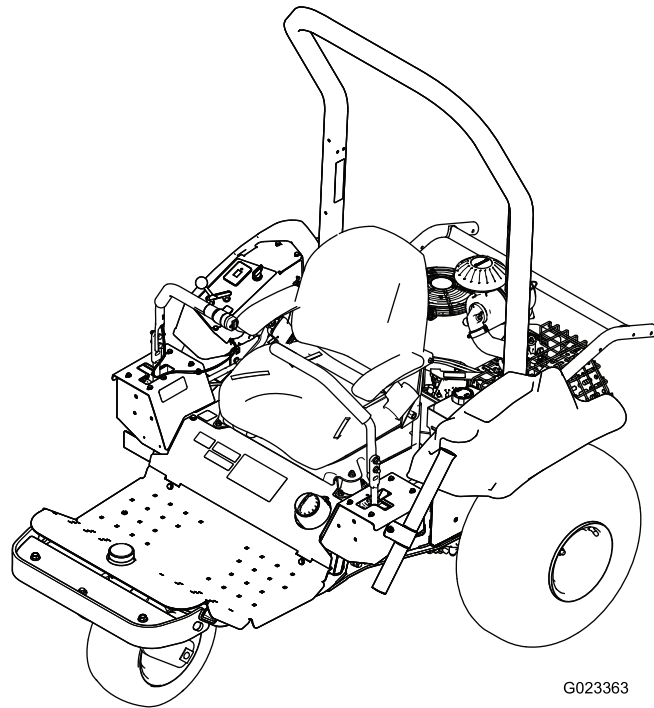


Count on it.

Operator's Manual

Sand Pro® 2040Z Traction Unit

Model No. 08706—Serial No. 400800001 and Up



G023363



This product complies with all relevant European directives. For details, please see the separate product specific Declaration of Conformity (DOC) sheet.

⚠ WARNING

CALIFORNIA

Proposition 65 Warning

This product contains a chemical or chemicals known to the State of California to cause cancer, birth defects, or reproductive harm.

The engine exhaust from this product contains chemicals known to the State of California to cause cancer, birth defects, or other reproductive harm.

This spark ignition system complies with Canadian ICES-002.

Because in some areas there are local, state, or federal regulations requiring that a spark arrester be used on the engine of this machine, a spark arrester is available as an option. If you require a spark arrester, contact your Authorized Toro Service Dealer.

Genuine Toro spark arresters are approved by the USDA Forestry Service.

Important: It is a violation of California Public Resource Code Section 4442 to use or operate the engine on any forest-covered, brush-covered, or grass-covered land without a spark arrester muffler maintained in working order, or the engine constricted, equipped, and maintained for the prevention of fire. Other states or federal areas may have similar laws.

The enclosed engine owner's manual is supplied for information regarding the US Environmental Protection Agency (EPA) and the California Emission Control Regulation of emission systems, maintenance, and warranty. Replacements may be ordered through the engine manufacturer.

Introduction

This machine is a ride-on piece of utility equipment intended to be used by professional, hired operators in commercial applications. It is primarily designed for conditioning sand traps on well-maintained golf courses and commercial grounds.

Important: To maximize the safety, performance, and proper operation of this machine, carefully read and fully understand the contents of this *Operator's Manual*. Failing to follow these operating instructions or to receive proper training may result in injury. For more information on safe operating practices, including safety tips and training materials, go to www.Toro.com.

Whenever you need service, genuine Toro parts, or additional information, contact an Authorized Service Dealer or Toro Customer Service and have the model and serial numbers of your product ready. **Figure 1** identifies the location of the model and serial numbers on the product. Write the numbers in the space provided.

Important: With your mobile device, you can scan the QR code (if equipped) on the serial number decal to access warranty, parts, and other product information.

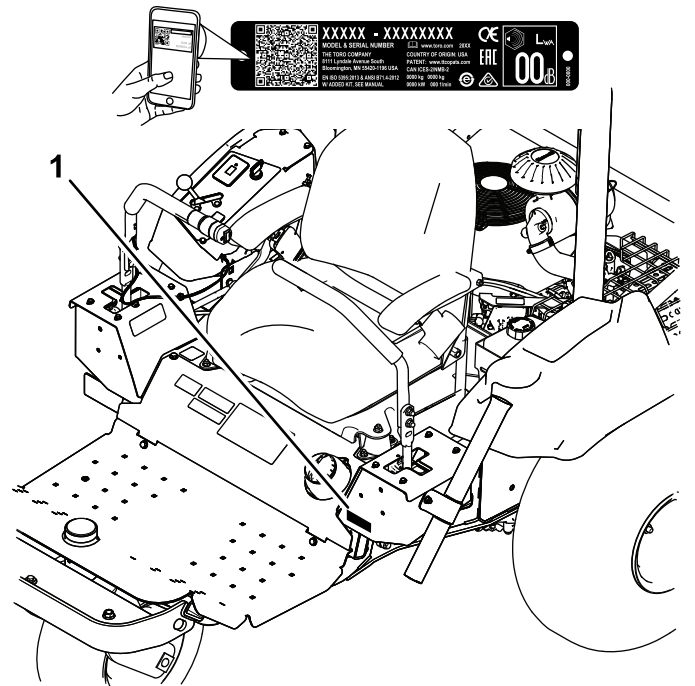


Figure 1

1. Model and serial number location

Model No. _____
Serial No. _____

Contents

- Safety 4
 - General Safety 4
 - Safety and Instructional Decals 5
- Setup 10
 - 1 Removing the Shipping Board.....11
 - 2 Installing an Attachment.....11
 - 3 Installing the Front Weights.....11
 - 4 Connecting the Battery 12
 - 5 Applying the CE Service Decal (CE Only) 12
 - 6 Installing the Roll Bar 13
- Product Overview 14
 - Controls 14
 - Specifications 16
 - Attachments/Accessories 16
- Operation 16
 - Before Operation Safety 16
 - Installing and Removing the Weights 17
 - Checking the Level of the Engine Oil 17
 - Filling the Fuel Tank..... 19
 - Checking the Level of the Hydraulic Fluid..... 19
 - Checking the Tire Pressure..... 20
 - Torquing the Wheel Lug Nuts..... 20
 - Using the Parking Brake 21
 - During Operation Safety 21
 - Starting and Shutting Off the Engine 22
 - Using the Safety Interlock System 23
 - Driving the Machine 24
 - Raking a Sand Trap 25
 - After Operation Safety 26
 - Breaking in the Machine 26
 - Pushing or Towing the Machine 26
 - Transporting the Machine 27
 - Loading the Machine 28
 - Installing a Wireless Hour Meter 29
 - Operating Tips 29
- Maintenance 30
 - Recommended Maintenance Schedule(s) 30
 - Daily Maintenance Checklist..... 31
 - Pre-Maintenance Procedures 32
 - Pre-Maintenance Safety 32
 - Lifting the Machine 32
 - Lubrication 33
 - Greasing the Machine..... 33
 - Engine Maintenance 34
 - Engine Safety 34
 - Servicing the Engine Oil and Filter 34
 - Servicing the Air Cleaner 36
 - Servicing the Spark Plugs..... 36
 - Checking and Adjusting the Valve Clearance 37
 - Cleaning and Lapping the Valve-Seating Surface 37
 - Fuel System Maintenance 37
 - Replacing the Carbon-Canister Filter 37

This manual identifies potential hazards and has safety messages identified by the safety-alert symbol (Figure 2), which signals a hazard that may cause serious injury or death if you do not follow the recommended precautions.



Figure 2

g000502

1. Safety-alert symbol

This manual uses 2 words to highlight information. **Important** calls attention to special mechanical information and **Note** emphasizes general information worthy of special attention.

Safety

This machine has been designed in accordance with directive 2006/42/EC and ANSI B71.4-2017. However, when you install attachments on the machine, you must add additional weight to the machine, as specified, to comply to the standards.

General Safety

This product is capable of causing personal injury. Always follow all safety instructions to avoid serious personal injury.

Using this product for purposes other than its intended use could prove dangerous to you and bystanders.

- Read and understand the contents of this *Operator's Manual* before starting the engine. Ensure that everyone using this product knows how to use it and understands the warnings.
- Do not put your hands or feet near moving components of the machine.
- Do not operate the machine without all guards and other safety protective devices in place and working on the machine.
- Keep the machine a safe distance away from bystanders while it is moving.
- Keep children out of the operating area. Never allow children to operate the machine.
- Stop the machine and shut off the engine before servicing or fueling the machine.

Improperly using or maintaining this machine can result in injury. To reduce the potential for injury, comply with these safety instructions and always pay attention to the safety-alert symbol, which means Caution, Warning, or Danger—personal safety instruction. Failure to comply with these instructions may result in personal injury or death.

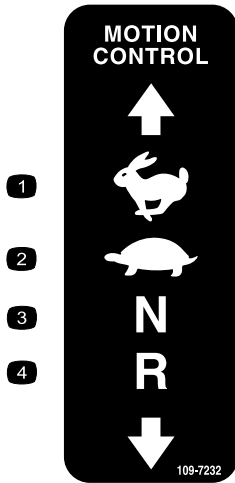
You can find additional safety information where needed throughout this *Operator's Manual*.

Replacing the Fuel Filter	38
Electrical System Maintenance	39
Electrical System Safety	39
Jump-Starting the Machine	39
Replacing the Fuses	40
Servicing the Battery.....	40
Drive System Maintenance	42
Checking the Tracking	42
Adjusting the Tracking	42
Replacing the Drive Belt and the Tensioner Pulley	43
Controls System Maintenance	44
Adjusting the Control-Handle Position	44
Adjusting the Control-Handle Linkage.....	44
Adjusting the Control-Handle Dampers.....	45
Adjusting the Neutral-Lock Resistance	46
Adjusting the Engine Controls.....	46
Hydraulic System Maintenance	48
Hydraulic System Safety.....	48
Checking the Hydraulic System	48
Changing the Hydraulic Fluid and Filters	49
Checking the Hydraulic Lines and Hoses.....	50
Cleaning	51
Inspecting and Cleaning the Machine	51
Storage	51
Storing the Machine.....	51
Troubleshooting	53

Safety and Instructional Decals



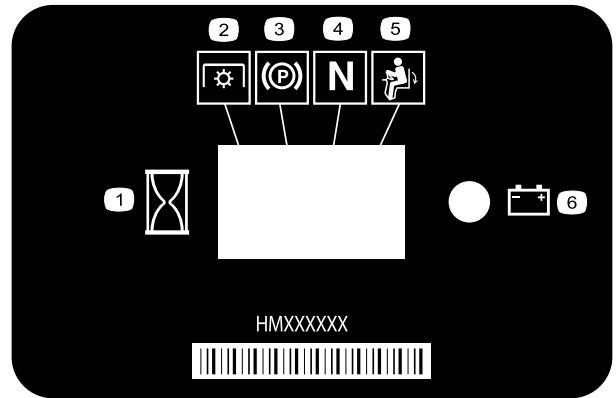
Safety decals and instructions are easily visible to the operator and are located near any area of potential danger. Replace any decal that is damaged or missing.



109-7232

decal109-7232

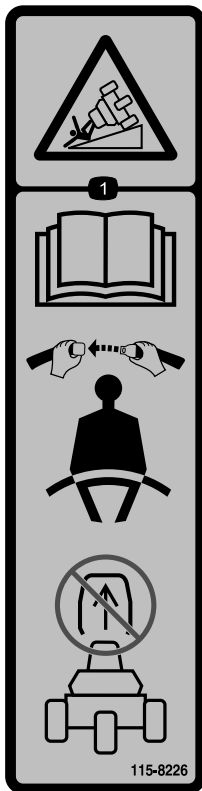
- 1. Fast
- 2. Slow
- 3. Neutral
- 4. Reverse



116-5610

decal116-5610

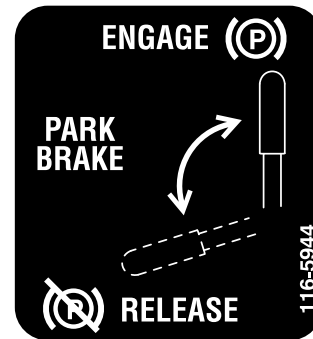
- 1. Hour meter
- 2. Power take-off (PTO)
- 3. Parking brake
- 4. Neutral
- 5. Operator-presence switch
- 6. Battery



115-8226

decal115-8226

- 1. Tipping hazard—read the *Operator's manual*; always wear a seat belt when operating; do not remove the rollover protection system (ROPS).



116-5944

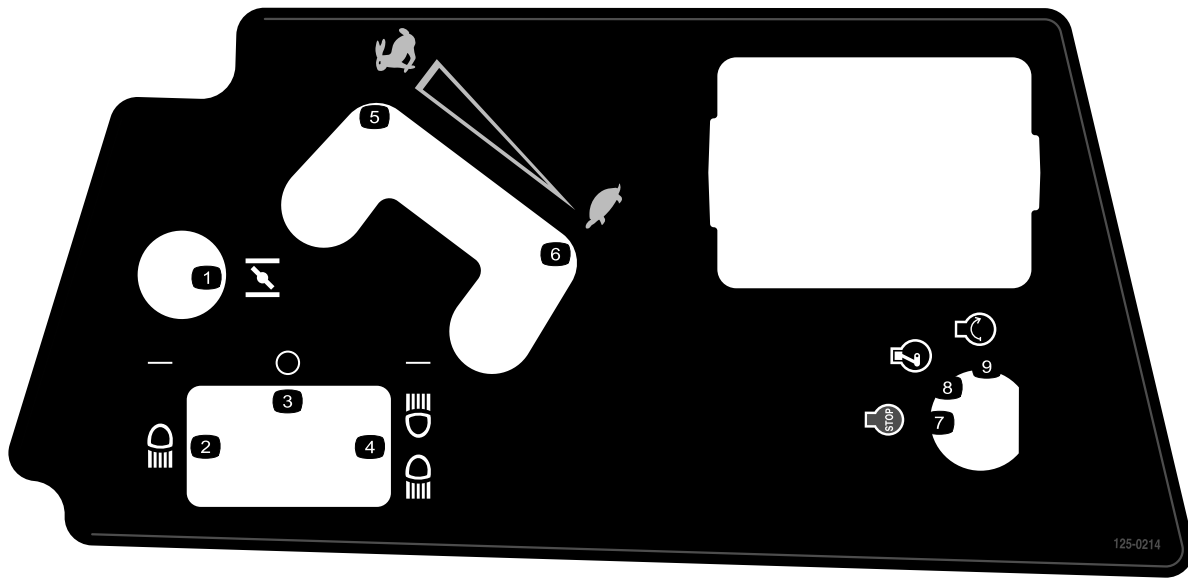
decal116-5944

CALIFORNIA SPARK ARRESTER WARNING

Operation of this equipment may create sparks that can start fires around dry vegetation. A spark arrester may be required. The operator should contact local fire agencies for laws or regulations relating to fire prevention requirements. 117-2718

decal117-2718

117-2718

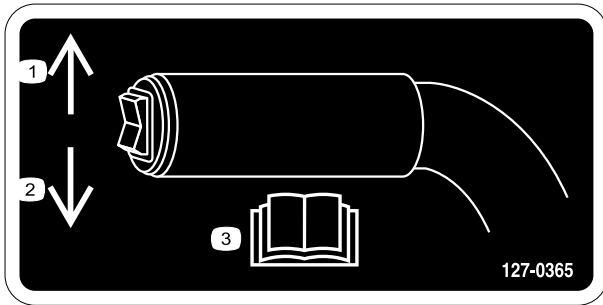


125-0214

decal125-0214

125-0214

- | | |
|----------------------------|-----------------|
| 1. Choke | 6. Slow |
| 2. Headlight | 7. Engine—stop |
| 3. Off | 8. Engine—run |
| 4. Headlight and taillight | 9. Engine—start |
| 5. Fast | |



127-0365

decal127-0365

127-0365

- | | |
|--|--|
| 1. Press up to raise the attachment. | 3. Read the <i>Operator's Manual</i> . |
| 2. Press down to lower the attachment. | |

SAND PRO 2040Z QUICK REFERENCE AID

CHECK/SERVICE (DAILY)

1. OIL LEVEL, ENGINE
2. OIL LEVEL, HYDRAULIC TANK
3. NEUTRAL INTERLOCK SWITCH
4. AIR FILTER
5. ENGINE COOLING FINS
6. TIRE PRESSURE (7 psi / .48 bar)
7. WHEEL NUT TORQUE (80±10 FT-LBS / 108±14 N·m)
8. BATTERY
9. FUEL - GAS ONLY
10. SEAT INTERLOCK SWITCH
11. LUBRICATION EVERY 100 HRS
12. CARBON CANISTER FILTER (115-7854)

BELT ROUTING

1. DRIVE PULLEY
2. RH DRIVEN PULLEY
3. LH DRIVEN PULLEY
4. BELT TENSIONER

REPLACE BELT (120-5772) & BELT TENSIONER (109-8076) AT 800 HRS.

FLUID SPECIFICATION / CHANGE INTERVALS

SEE OPERATOR'S MANUAL FOR INITIAL CHANGE	FLUID TYPE	CAPACITY	CHANGE INTERVALS		FILTER PART NO.
			FLUID	FILTER	
ENGINE OIL	SAE30	* 1.75 QTS.	100 HRS.	100 HRS.	119-5852 (A)
HYDRAULIC OIL	MOBILFLUID 424	2 QTS. (L) 2.1 QTS. (R)	400 HRS.	400 HRS.	114-3494 (B) 127-0381 (B2)
AIR CLEANER				**200 HRS.	125-6438 (C)
FUEL TANK/FILTER	UNLEADED GAS	4.5 GAL.		+800 HRS.	94-2690 (D)

(*) INCLUDING FILTER (**) INSPECT EVERY 50 HRS., MORE OFTEN UNDER DUSTY CONDITIONS. CHANGE CARBON CANISTER FILTER WITH AIR FILTER. (+) OR YEARLY, WHICH EVER IS LESS

15A

10A

25A

20A

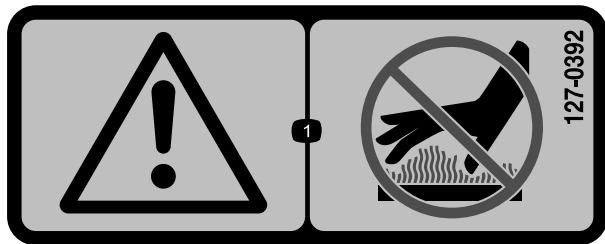
SEE OPERATOR'S MANUAL FOR ADDITIONAL DETAILS.

127-0371

127-0371

decal127-0371

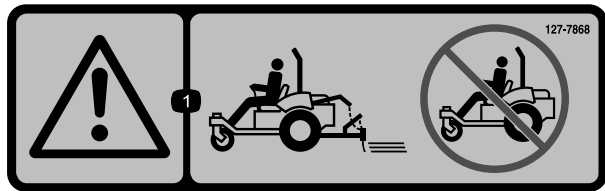
1. Read the *Operator's Manual* for information on fuses—Headlights 15A; Attachment 10A; Engine start 25A; Battery 20A.
2. Read the *Operator's Manual*.



127-0392

decal127-0392

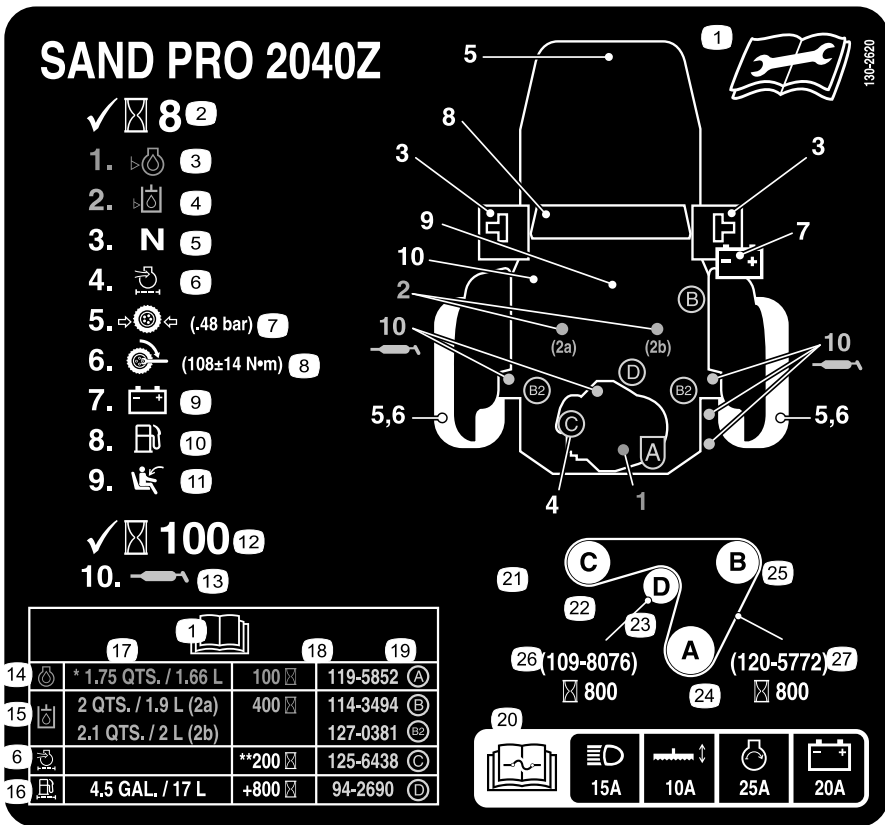
1. Warning—keep away from hot surfaces.



127-7868

decal127-7868

1. Warning—do not operate the machine without the attachment installed.

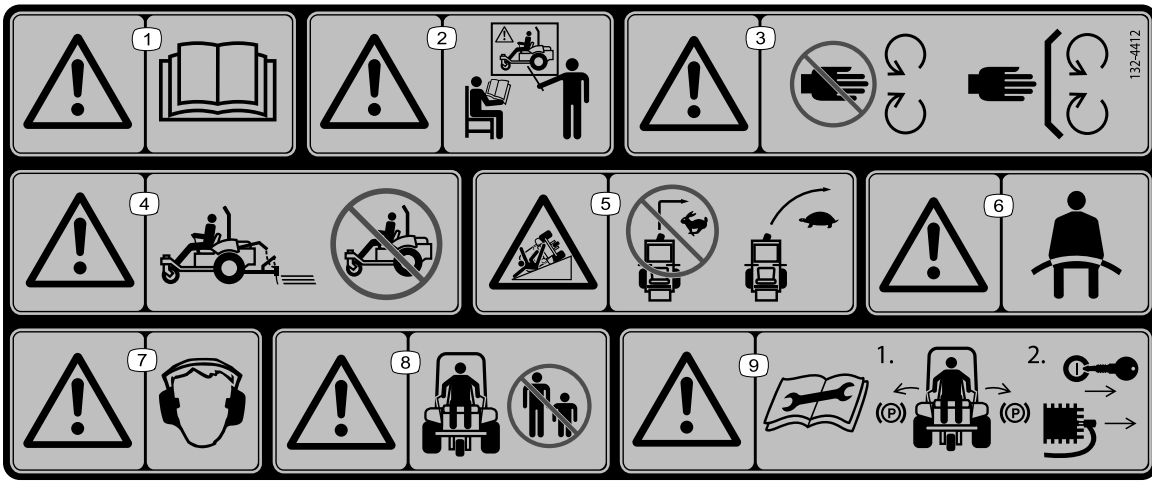


130-2620

CE only

decal130-2620

- | | |
|--|---|
| <ol style="list-style-type: none"> 1. Read the <i>Operator's Manual</i> for information on maintenance. 2. Check every 8 operating hours. 3. Oil level—engine 4. Oil level—hydraulic tank 5. Neutral interlock switch 6. Air filter
 7. Tire pressure (0.48 bar) 8. Wheel nut torque (61 to 75 N·m) 9. Battery 10. Fuel—gasoline only 11. Seat interlock switch 12. Check every 100 operating hours.
 13. Lubrication 14. Engine oil | <ol style="list-style-type: none"> 15. Hydraulic oil 16. Fuel tank/filter 17. Capacity 18. Service interval 19. Filter part number 20. Read the <i>Operator's Manual</i> for information on fuses—Headlights 15A; Attachment 10A; Engine start 25A; Battery 20A. 21. Belt routing 22. Left driven pulley 23. Belt tensioner 24. Drive pulley 25. Right driven pulley 26. Belt tensioner—part number (replace every 800 operating hours) 27. Belt—part number (replace every 800 hours) |
|--|---|



132-4412

decal132-4412

1. Warning—read the *Operator's Manual*.
2. Warning—do not operate the machine unless you are trained.
3. Warning—keep away from moving parts; keep all guards and shields in place.
4. Warning—do not operate the machine without the attachment installed.
5. Tipping hazard, slopes—do not turn at high speed; slow down and turn gradually.
6. Warning—wear a seat belt.
7. Warning—wear hearing protection.
8. Warning—keep bystanders away.
9. Warning—read the *Operator's Manual* before performing maintenance; 1) Engage the parking brakes; 2) Remove the key from the ignition and remove the wire from the spark plug.



Battery Symbols

Some or all of these symbols are on your battery

1. Explosion hazard
2. No fire, open flame, or smoking
3. Caustic liquid/chemical burn hazard
4. Wear eye protection.
5. Read the *Operator's Manual*.
6. Keep bystanders a safe distance away from the battery.
7. Wear eye protection; explosive gases can cause blindness and other injuries.
8. Battery acid can cause blindness or severe burns.
9. Flush eyes immediately with water and get medical help fast.
10. Contains lead; do not discard; recycle

Setup

Loose Parts

Use the chart below to verify that all parts have been shipped.

Procedure	Description	Qty.	Use
1	No parts required	–	Remove the shipping board.
2	Attachment and related parts (sold separately)	–	Install an attachment.
3	Front weights (as needed per attachment)	–	Install the front weights.
4	Bolt (5/16 x 3/4 inch) Nut (5/16 inch)	1 2	Connect the battery.
5	Service decal (130-2620)	1	Apply the CE service decal, if required (CE only).
6	Roll bar Bolt Flange locknut Spring washer Bracket	1 4 4 4 2	Install the roll bar.

Media and Additional Parts

Description	Qty.	Use
Operator's Manual Engine owner's manual Pre-delivery inspection sheet	1 1 1	Read the sheet before operating.
Certificate of Compliance	1	The certificate indicates CE compliance.
Key	2	Start the engine.

Note: Determine the left and right sides of the machine from the normal operating position.

Note: Remove and discard all the shipping brackets and fasteners.

1

Removing the Shipping Board

No Parts Required

Procedure

⚠ WARNING

If you drive the machine without the shipping board or an attachment installed, the machine can tip over and injure someone or damage property.

Drive the machine only if the shipping board or an approved attachment is installed.

Before you can install an attachment on the machine, you must remove the shipping board.

1. Park the machine on a level surface, move the control handles to the neutral-locked position, engage the parking brake, shut off the engine, and remove the key.
2. Remove the nuts, bolts, and washers securing the shipping board to the rear of the machine (Figure 3).

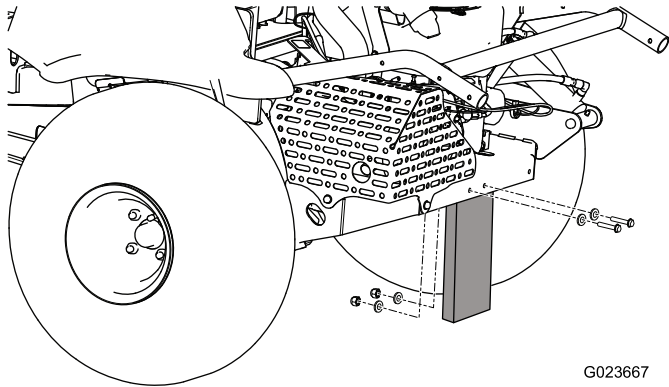


Figure 3

G023667
g023667

3. Discard the fasteners and the shipping board.

2

Installing an Attachment

Parts needed for this procedure:

-	Attachment and related parts (sold separately)
---	--

Procedure

⚠ WARNING

If you drive the machine without an attachment installed, it can tip over and injure someone or damage property.

Drive the machine only if there is an approved attachment installed.

Park the machine on a level surface, move the control handles to the neutral-locked position, engage the parking brake, shut off the engine, and remove the key.

Refer to the attachment *Installation Instructions* for information on installing the attachment.

3

Installing the Front Weights

Parts needed for this procedure:

-	Front weights (as needed per attachment)
---	--

Procedure

This machine has been designed in accordance with 2006/42/EC, EN ISO 5395:2013 (when appropriate decals are applied), and ANSI B71.4-2012. However, when you install attachments on the machine, you must add additional weight to the machine, as specified, to comply to the standards.

Use the chart below to determine the additional weight required. The machine comes with 4 weights. Each attachment comes with the necessary additional weights, if required.

Attachment	Number of weights required
Flex tooth rake	4
Flex tooth rake with finish brush	6

Attachment	Number of weights required
Nail drag	6
Nail drag with finish drag mat	8

Refer to [Installing and Removing the Weights](#) (page 17).

4

Connecting the Battery

Parts needed for this procedure:

1	Bolt (5/16 x 3/4 inch)
2	Nut (5/16 inch)

Procedure

1. Cut the cable tie securing the battery cables to the frame, and discard the cable tie ([Figure 4](#)).

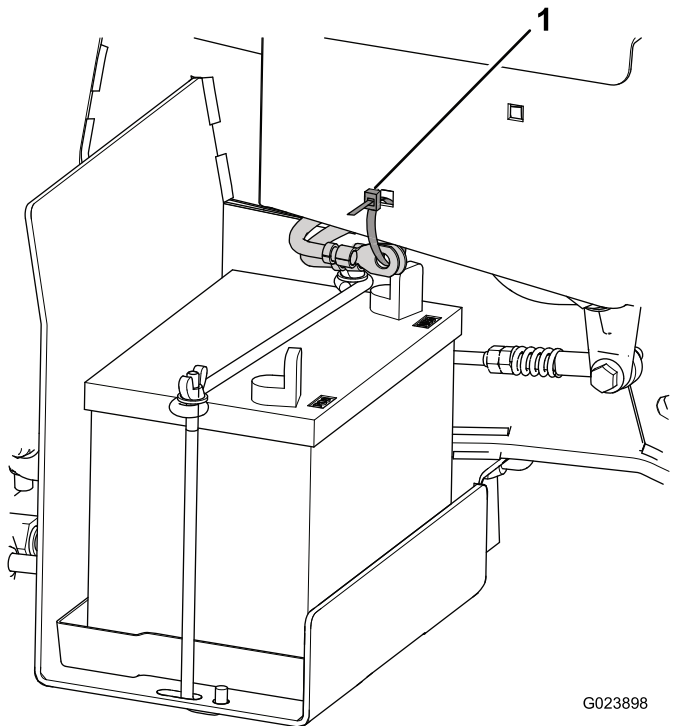


Figure 4

1. Cable tie

2. Remove the red plastic cover from the positive battery terminal ([Figure 5](#)).

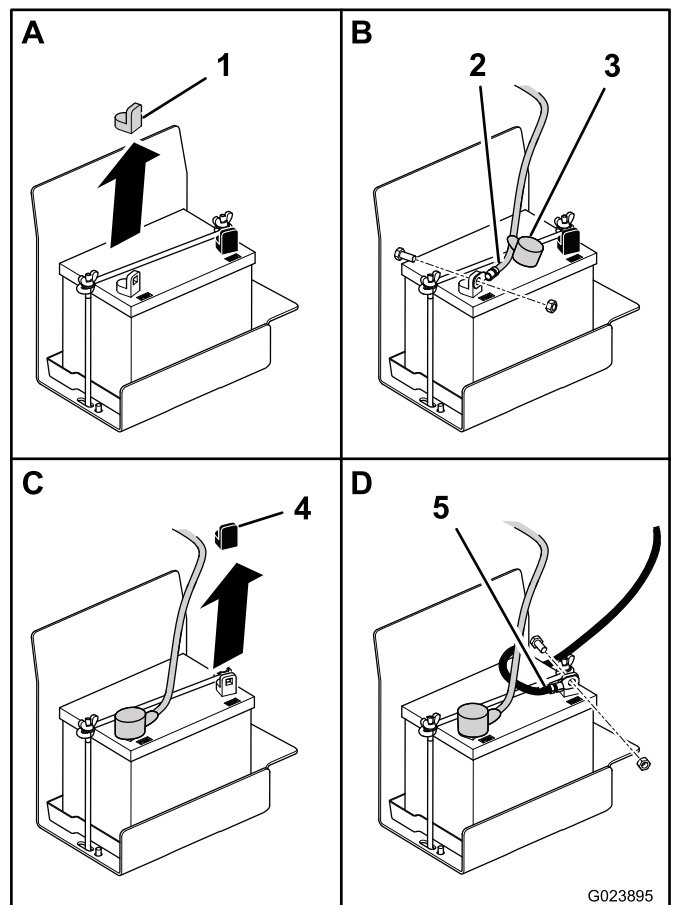


Figure 5

1. Red cover
2. Positive cable
3. Boot
4. Black cover
5. Negative cable

3. Slide the red boot away from the end of the positive battery cable, and use a bolt (5/16 x 3/4 inch) and a nut (5/16 inch) to mount the positive cable to the positive battery terminal.
4. Slide the red boot over the terminal and the fasteners.
5. Remove the black plastic cover from the negative battery terminal.
6. Use a bolt (5/16 x 3/4 inch) and a nut (5/16 inch) to mount the negative cable to the negative battery terminal.

5

Applying the CE Service Decal (CE Only)

Parts needed for this procedure:

1	Service decal (130-2620)
---	--------------------------

Procedure

If this machine must be CE compliant (Europe), apply the CE service decal (130-2620) over the existing service decal (127-0371).

6

Installing the Roll Bar

Parts needed for this procedure:

1	Roll bar
4	Bolt
4	Flange locknut
4	Spring washer
2	Bracket

Procedure

1. Remove the roll bar from the crate.
2. Place the roll bar on the machine as shown in [Figure 6](#).

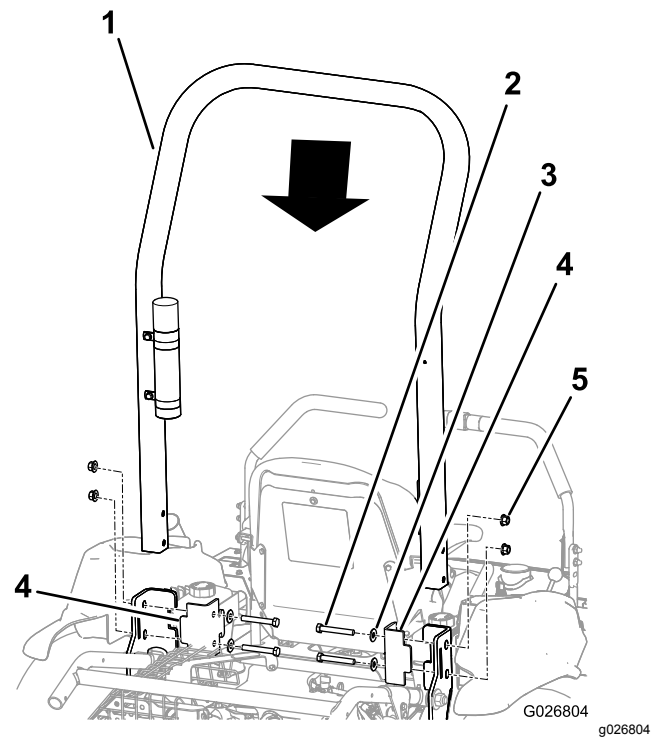


Figure 6

1. Roll bar
2. Bolt (4)
3. Spring washer (4)
4. Bracket (2)
5. Flange locknut (4)

3. Install the brackets on the frame of the machine.

Important: Ensure that the throttle cable and the choke cable are out of the way, so that they do not get pinched by the roll bar or a bracket.

4. Align the holes in the brackets, the roll bar, and the frame.
5. Install a bolt, with a spring washer, through each hole.

Important: Ensure that each spring washer is positioned so that the convex side faces the bolt head as shown in [Figure 7](#).

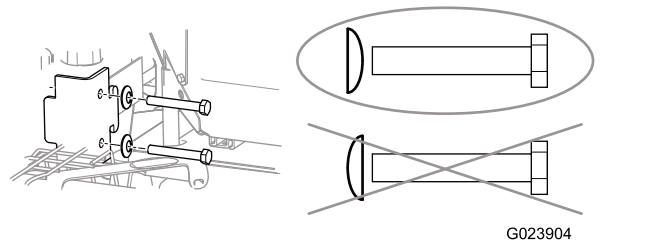
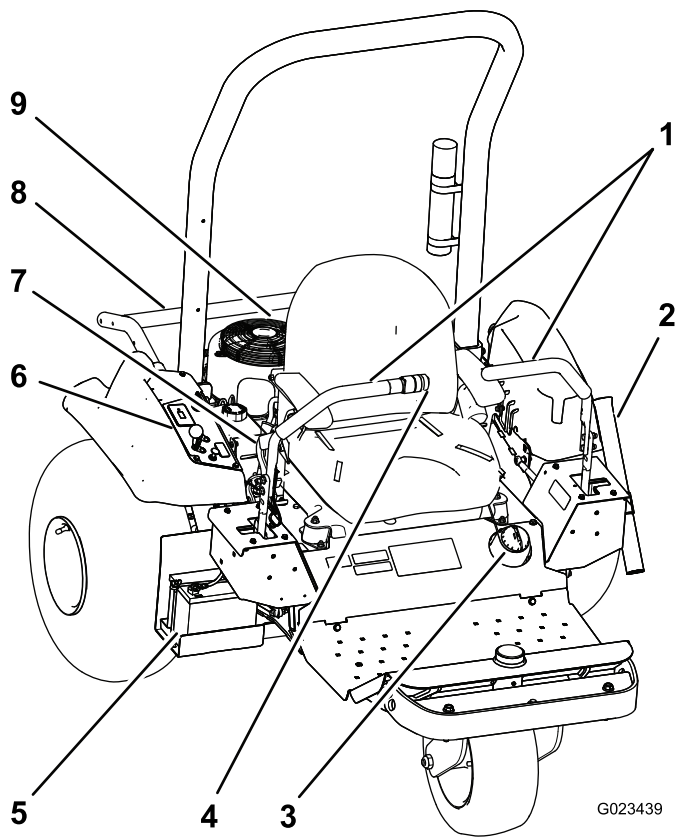


Figure 7

6. Install a flange locknut on each bolt, and torque each of them to 102 N·m (75 ft·lb).

Product Overview



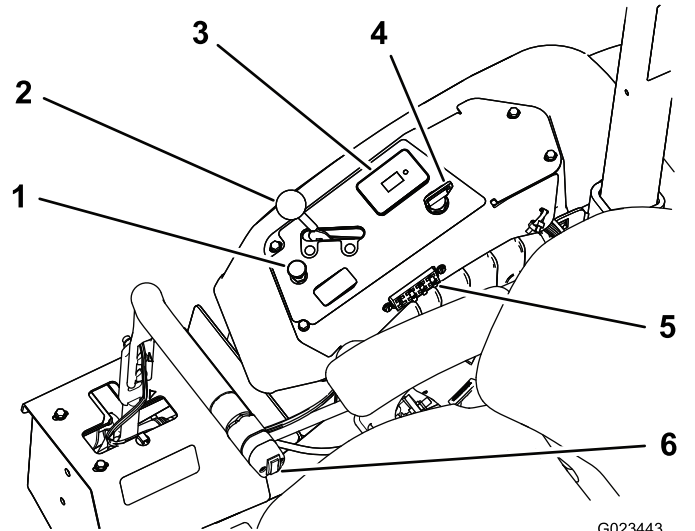
G023439

g023439

Figure 8

- | | | |
|--------------------|----------------------|--------------------|
| 1. Control handles | 4. Attachment switch | 7. Parking brake |
| 2. Rake tube | 5. Battery | 8. Attachment lift |
| 3. Fuel-tank cap | 6. Control panel | 9. Engine |

Controls



G023443
g023443

Figure 9

- | | |
|--|----------------------|
| 1. Choke control | 4. Ignition switch |
| 2. Throttle lever | 5. Fuses |
| 3. Hour meter;
safety-interlock display | 6. Attachment switch |

Control Handles

Use the control handles ([Figure 8](#)) to drive the machine forward and backward, and to turn in either direction.

Ignition Switch

The ignition switch ([Figure 9](#)), used to start and shut off the engine, has 3 positions: OFF, RUN, and START. Rotate the key clockwise to the START position to start the engine. Release the key when the engine starts. The key will move automatically to the RUN position. To shut off the engine, rotate the key counterclockwise to the OFF position.

Choke Control

To start a cold engine, close the carburetor choke by pulling the choke control ([Figure 9](#)) up to the CLOSED position. After the engine starts, regulate the choke to keep the engine running smoothly. As soon as possible, open the choke by pushing the control down to the OPEN position.

Note: A warm engine requires little or no choking.

Throttle Lever

The throttle lever (Figure 9) controls the speed of the engine. Moving the throttle lever forward toward the FAST position increases the engine speed. Moving it backward toward the SLOW position decreases the engine speed.

Note: The throttle lever cannot shut off the engine.

Attachment Switch

To raise the attachment, press the upper part of the attachment switch (Figure 10); to lower the attachment, press the lower part of the attachment switch.

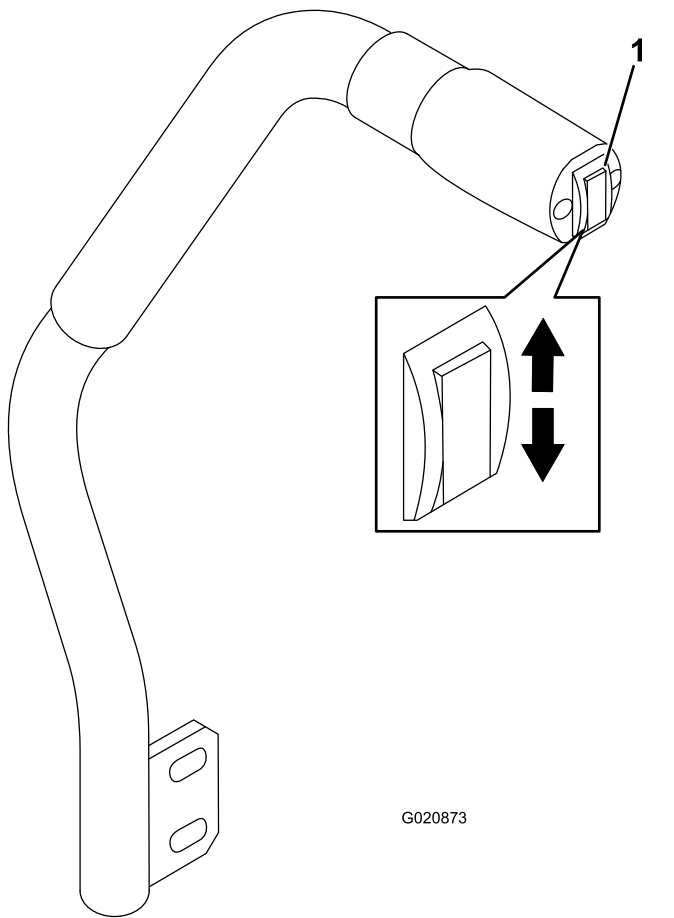


Figure 10

1. Attachment switch

Note: The machine has a double-acting lift cylinder. You can apply down pressure to the attachment for certain operating conditions.

Parking Brake

To engage the parking brake (Figure 8), pull back on the lever of the parking brake. To disengage it, push the lever forward.

Hour Meter

The hour meter (Figure 9) indicates the total hours of machine operation. The hour meter runs whenever the ignition switch is in the ON position, as long as the battery is fully charged (13.8 V or more) or you are sitting in the seat, thereby activating the seat switch.

An optional wireless hour meter is available through your Authorized Toro Distributor. To install it, refer to [Installing a Wireless Hour Meter \(page 29\)](#).

Seat-Adjustment Lever

While sitting on the seat, move the lever in front of the seat (Figure 11) to the left, and slide the seat to the desired position. Release the lever to lock the seat into position.

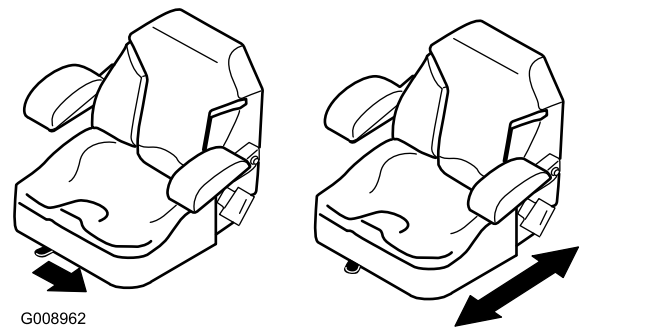


Figure 11

Specifications

Note: Specifications and design are subject to change without notice.

	Machine only	With flex tooth rake	With nail drag	With nail drag and finish mat
Weight	399 kg (880 lb)*	417 kg (920 lb)**	439 kg (970 lb)**	445 kg (980 lb)**
Width	147 cm (58 inches)	213 cm (84 inches)	182 cm (71.5 inches)	198 cm (78 inches)
Length	186 cm (73.3 inches)	226 cm (89.0 inches)	215 cm (84.8 inches)	297 cm (117 inches)
Height	185 cm (73 inches)			
Wheelbase	147 cm (58 inches)			

* with 4 weights, empty fuel tank, and no operator

** with the attachment and weights, empty fuel tank, and no operator

Attachments/Accessories

A selection of Toro approved attachments and accessories is available for use with the machine to enhance and expand its capabilities. Contact your Authorized Service Dealer or Distributor or go to www.Toro.com for a list of all approved attachments and accessories.

To best protect your investment and maintain optimal performance of your Toro equipment, count on Toro genuine parts. When it comes to reliability, Toro delivers replacement parts designed to the exact engineering specification of our equipment. For peace of mind, insist on Toro genuine parts.

Operation

Note: Determine the left and right sides of the machine from the normal operating position.

Before Operation Safety

General Safety

- Never allow children or untrained people to operate or service the machine. Local regulations may restrict the age of the operator. The owner is responsible for training all operators and mechanics.
- Become familiar with the safe operation of the equipment, operator controls, and safety signs.
- Know how to stop the machine and engine quickly.
- Check that operator-presence controls, safety switches, and shields are attached and functioning properly. Do not operate the machine unless they are functioning properly.
- Before operating, always inspect the machine to ensure that the components and fasteners are in good working condition. Replace worn or damaged components and fasteners.
- Inspect the area where you will use the machine and remove all objects that the machine could throw.

Fuel Safety

- Use extreme care in handling fuel. It is flammable and its vapors are explosive
- Extinguish all cigarettes, cigars, pipes, and other sources of ignition.
- Do not remove the fuel cap or fill the fuel tank while the engine is running or hot.
- Do not add or drain the fuel in an enclosed space.

- Do not store the machine or fuel container where there is an open flame, spark, or pilot light, such as on a water heater or other appliance.
- If you spill fuel, do not attempt to start the engine; avoid creating any source of ignition until the fuel vapors have dissipated.

Installing and Removing the Weights

The machine complies with the ANSI B71.4-2012 standards at the time of production. However, when the following attachments are installed on the machine, additional weight is required to comply to the standards. Use the chart below to determine the additional weight required. The machine comes with 4 weights. Each attachment comes with the necessary additional weights, if required.

Attachment	Number of weights required
Flex tooth rake	4
Flex tooth rake with finish brush	6
Nail drag	6
Nail drag with finish drag mat	8

1. Remove the 2 bolts and 2 nuts securing the existing weights on the front of the machine (Figure 12).

Note: If the machine is equipped with the light kit, remove the nut and the bolt securing the front light to the machine. Retain all of the parts; refer to the *Light Kit Installation Instructions*.

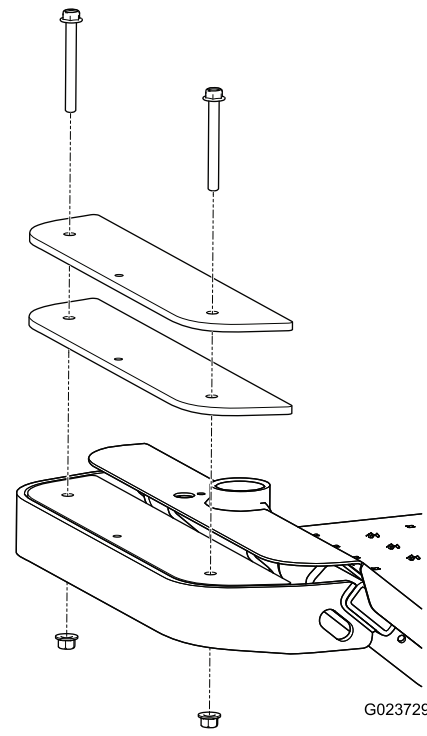


Figure 12

2. Add or remove weights as necessary.
3. Secure the weights with the 2 bolts and the 2 nuts.
 - For most of the attachments, use the existing bolts.
 - The finish drag mat includes 2 longer bolts to accommodate the additional weights that it requires.

Note: If the machine is equipped with the light kit, install the front light by inserting the bolt through the weights and securing it with the nut; refer to the *Light Kit Installation Instructions*.

Checking the Level of the Engine Oil

Service Interval: Before each use or daily—Check the level of the engine oil.

Toro Premium Engine Oil is available from your Authorized Toro Distributor.

Crankcase Capacity: 1.8 L (1.7 US qt) with filter change

Use 4-cycle engine oil that meets or exceeds the following requirements:

- **API service category:** SJ, SL, SM, or higher
- **Viscosity:** SAE 30; refer to the following chart for other viscosities (Figure 13):

Important: Using multi-viscosity oils, such as 10W-30, increases oil consumption. Check the oil level more frequently when using them.

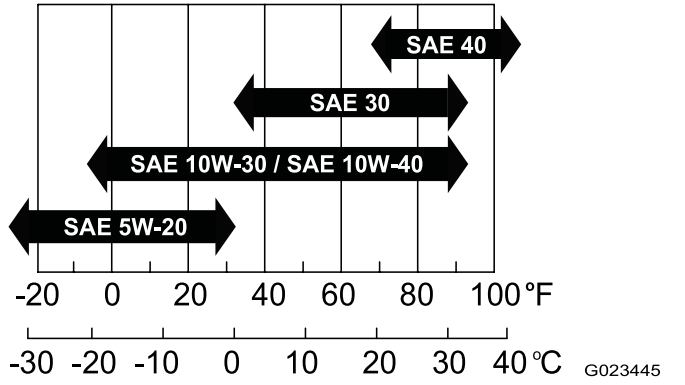


Figure 13

1. Park the machine on a level surface, lower the attachment, move the control handles to the neutral-locked position, engage the parking brake, shut off the engine, and remove the key.
2. Remove the dipstick (Figure 14) and wipe it with a clean cloth (Figure 15).

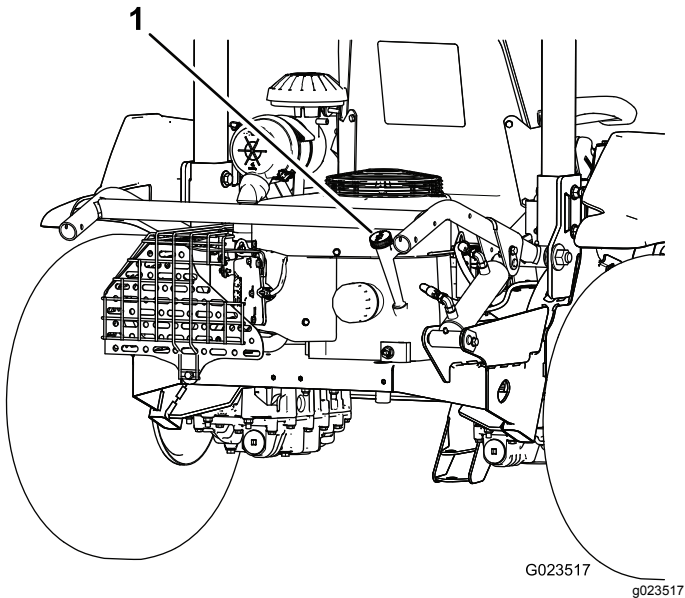


Figure 14

1. Dipstick

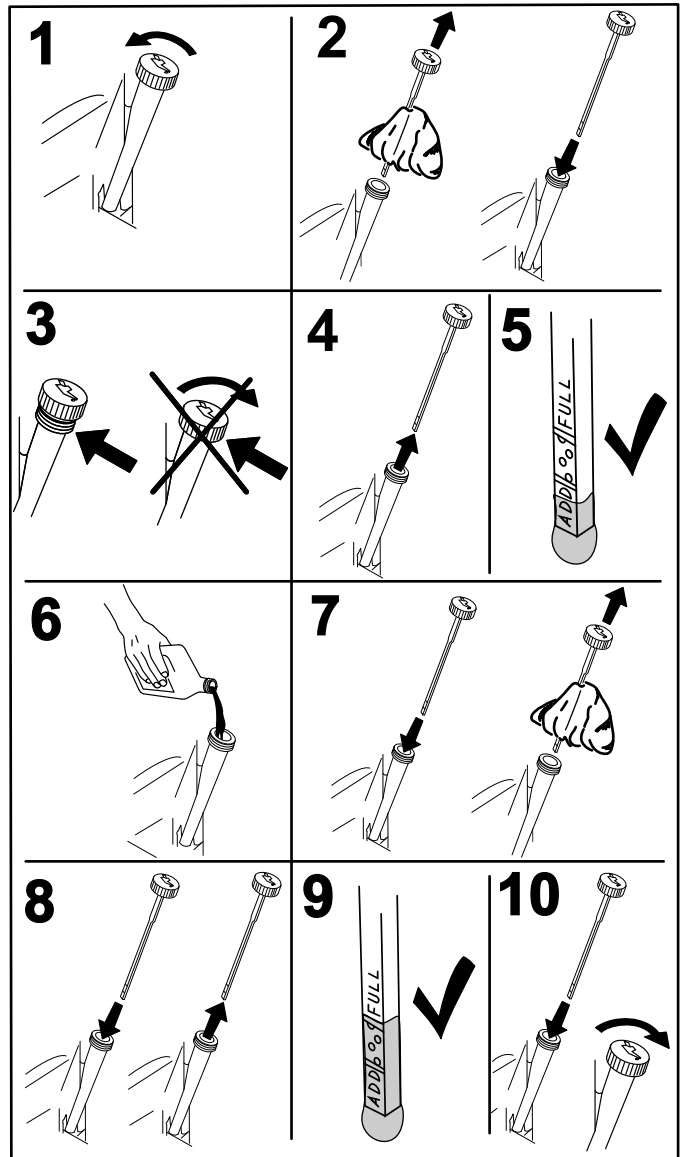


Figure 15

3. Insert the dipstick into the fill tube without threading it into the port.
4. Remove the dipstick from the tube and check the oil level. If the oil level is low, slowly pour only enough oil into the fill tube to raise the oil level to the upper-limit mark on the dipstick

Important: Keep the engine oil level between the upper and lower limits on the dipstick. Engine failure may occur as a result of running the engine with too much or too little engine oil.

5. Install the dipstick firmly in place.

Important: The dipstick must be fully seated in the tube to provide proper sealing of the engine crankcase. Failure to seal the crankcase may result in engine damage.

Filling the Fuel Tank

Fuel tank capacity: 17 L (4.5 US gallons)

Recommended Fuel:

- For best results, use only clean, fresh (less than 30 days old), unleaded gasoline with an octane rating of 87 or higher ((R+M)/2 rating method).
 - Ethanol: Gasoline with up to 10% ethanol (gasohol) or 15% MTBE (methyl tertiary butyl ether) by volume is acceptable. Ethanol and MTBE are not the same. Gasoline with 15% ethanol (E15) by volume is not approved for use. **Never use** gasoline that contains more than 10% ethanol by volume, such as E15 (contains 15% ethanol), E20 (contains 20% ethanol), or E85 (contains 85% ethanol). Using unapproved gasoline may cause performance problems and/or engine damage which may not be covered under warranty.
 - **Do not** use gasoline containing methanol.
 - **Do not** store fuel either in the fuel tank or fuel containers over the winter unless a fuel stabilizer is used.
 - **Do not** add oil to gasoline.
1. Park the machine on a level surface, lower the attachment, move the control handles to the neutral-locked position, engage the parking brake, shut off the engine, and remove the key.
 2. Clean the area around the fuel-tank cap (Figure 16).

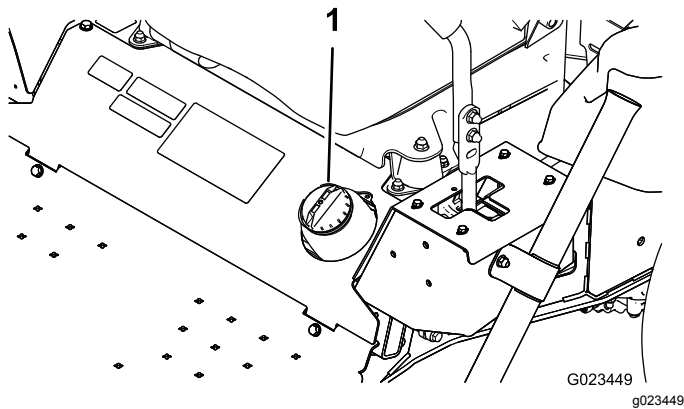


Figure 16

1. Fuel-tank cap

3. Remove the fuel-tank cap.
4. Fill the tank to about 25 mm (1 inch) below the top of the tank (bottom of the filler neck). **Do not overfill.**
5. Install the cap.
6. Wipe up any fuel that may have spilled, to prevent a fire hazard.

Checking the Level of the Hydraulic Fluid

Service Interval: Before each use or daily—Check the level of the hydraulic fluid.

Important: For accuracy, check the level of the hydraulic fluid only when the engine and the hydraulic system are cold.

The reservoirs of the machine are filled at the factory with high-quality hydraulic fluid. The best time to check the hydraulic fluid is when the fluid is cold. The machine should be in the transport configuration. If the fluid level is below the top of the horizontal part of the cut-out sight window on the rear of the hydraulic reservoirs (Figure 17), add fluid to bring the fluid to the acceptable level. **Do not overfill the reservoirs.** If the fluid level is at the top of the horizontal part of the sight window, no fluid addition is required. The recommended replacement fluid is:

Fluid Type: Toro Premium Transmission/Hydraulic Tractor Fluid or Mobilfluid® 424

Capacity:

- Left side—1.9 L (2.0 US qt)
- Right side—2.0 L (2.1 US qt)

Alternative fluids: If the specified fluid is not available, other universal tractor hydraulic fluids (UTHF) may be used, but they must be only **conventional, petroleum-based** products, not synthetics or biodegradable fluids. The specifications must fall within the listed range for all of the following material properties and the fluid should meet listed industry standards. Check with your fluid supplier to see if the fluid meets these specifications.

Note: Toro will not assume responsibility for damage caused by improper substitutions, so use only products from reputable manufacturers who will stand behind their recommendation.

Material Properties:	
Viscosity, ASTM D445	cSt @ 40°C (104°F) 55 to 62
Viscosity Index ASTM D2270	140 to 152
Pour Point, ASTM D97	-37°C to -43°C (-35°F to -46°F)
Industry Specifications: API GL-4, AGCO Powerfluid 821 XL, Ford New Holland FNHA-2-C-201.00, Kubota UDT, John Deere J20C, Vickers 35VQ25, and Volvo WB-101/BM	

Note: Many hydraulic fluids are almost colorless, making it difficult to spot leaks. A red dye additive for the hydraulic fluid is available in 20 ml (2/3 fl oz) bottles. One bottle is sufficient for 15 to 22 L (4 to 6 US gallons) of hydraulic fluid. Order part number 44-2500 from your Authorized Toro Distributor.

1. Park the machine on a level surface, lower the attachment, engage the parking brake, shut off the engine, and remove the key.
2. Look at the opening in each of the fluid-reservoir brackets, and check the level of the hydraulic fluid.

Note: The fluid level should be at the bottom of each of the openings, as shown in [Figure 17](#).

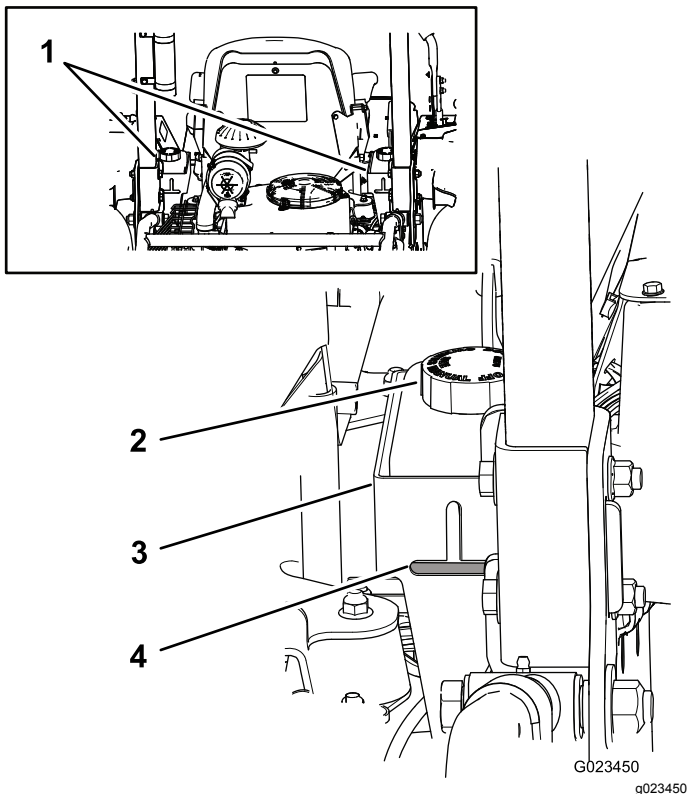


Figure 17

- | | |
|-------------------------------|----------------|
| 1. Hydraulic-fluid reservoirs | 3. Bracket |
| 2. Fluid-reservoir cap | 4. Fluid level |

3. If the fluid level is low in either of the reservoirs, add fluid as follows:

- A. Clean the area around the fluid-reservoir caps to prevent debris from entering the system ([Figure 17](#)).
- B. Remove the caps from the reservoirs.
- C. Slowly fill the reservoir with the appropriate hydraulic fluid until the level reaches the bottom of the openings in the brackets.

Important: To prevent system contamination, clean the top of the fluid container before opening it. Ensure that the pour spout and the funnel are clean.

Important: Do not overfill the reservoirs.

- D. Install the reservoir caps.

Checking the Tire Pressure

Service Interval: Before each use or daily

Park the machine on a level surface, lower the attachment, engage the parking brake, shut off the engine, and remove the key.

Check the tire pressure before operating the machine ([Figure 18](#)).

Pressure: 48 kPa (7 psi)

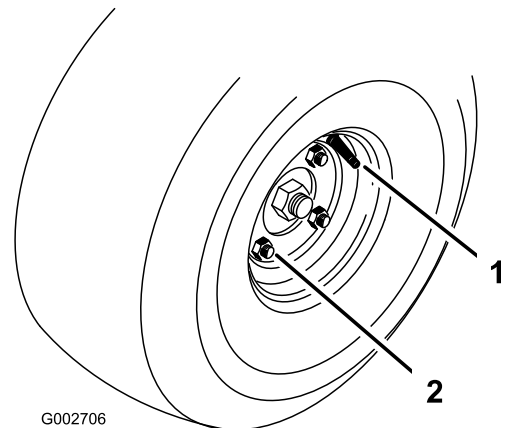


Figure 18

- | | |
|---------------|------------|
| 1. Valve stem | 2. Lug nut |
|---------------|------------|

Torquing the Wheel Lug Nuts

Service Interval: After the first 8 hours

Every 100 hours

Park the machine on a level surface, lower the attachment, engage the parking brake, shut off the engine, and remove the key.

Torque the lugs nuts (Figure 18) to 61 to 75 N·m (45 to 55 ft-lb).

Using the Parking Brake

Always engage the parking brake when you stop the machine or leave it unattended.

Engaging the Parking Brake

▲ WARNING

The parking brake may not hold the machine parked on a slope and could cause personal injury or property damage.

Do not park on slopes unless the wheels are chocked or blocked.

To engage the parking brake, pull upward on the handle (Figure 19).

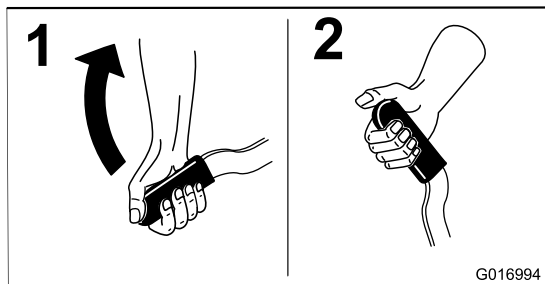


Figure 19

g016994

Disengaging the Parking Brake

To disengage the parking brake, push downward on the handle (Figure 20).

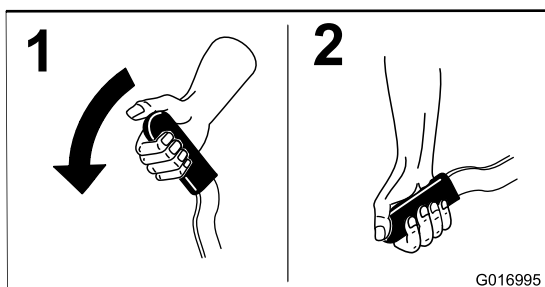


Figure 20

g016995

During Operation Safety

General Safety

- The owner/operator can prevent and is responsible for accidents that may cause personal injury or property damage.
- Wear appropriate clothing, including eye protection; slip-resistant, substantial foot protection; long pants; and hearing protection. Tie back long hair and do not wear jewelry.
- Do not operate the machine while ill, tired, or under the influence of alcohol or drugs.
- Never carry passengers on the machine and keep bystanders and pets away from the machine during operation.
- Operate the machine only in good visibility to avoid holes or hidden hazards.
- Avoid operating on wet grass. Reduced traction could cause the machine to slide.
- Before you start the engine, ensure that all drives are in neutral, the parking brake is engaged, and you are in the operating position.
- Look behind and down before backing up to be sure of a clear path.
- Use care when approaching blind corners, shrubs, trees, or other objects that may obscure your vision.
- Do not operate near drop-offs, ditches, or embankments. The machine could suddenly roll over if a wheel goes over the edge or if the edge gives way.
- Stop the machine and inspect the attachment after striking an object or if there is an abnormal vibration in the machine. Make all necessary repairs before resuming operation.
- Slow down and use caution when making turns and crossing roads and sidewalks with the machine. Always yield the right-of-way.
- Never run an engine in an area where exhaust gasses are enclosed.
- Never leave a running machine unattended.
- Before leaving the operating position, do the following:
 - Park the machine on level ground.
 - Lower the attachments.
 - Engage the parking brake.
 - Shut off the engine and remove the key.
 - Wait for all moving parts to stop.
- Do not operate the machine when there is the risk of lightning.
- Do not use the machine as a towing vehicle.

- When necessary, wet surfaces prior to conditioning to minimize dust creation.
- Use accessories, attachments, and replacement parts approved by The Toro® Company only.

Rollover Protection System (ROPS) Safety

- **Do not** remove the ROPS from the machine.
- Ensure that the seat belt is attached and that you can release it quickly in an emergency.
- Check carefully for overhead obstructions and do not contact them.
- Keep the ROPS in safe operating condition by thoroughly inspecting it periodically for damage and keeping all the mounting fasteners tight.
- Replace a damaged ROPS. Do not repair or alter it.

Machines with a Fixed Roll Bar

- The ROPS is an integral safety device.
- Always wear your seat belt.

Slope Safety

- Establish your own procedures and rules for operating on slopes. These procedures must include surveying the site to determine which slopes are safe for machine operation. Always use common sense and good judgment when performing this survey.
- Slopes are a major factor related to loss of control and rollover accidents, which can result in severe injury or death. The operator is responsible for safe slope operation. Operating the machine on any slope requires extra caution.
- Slopes are a major factor related to loss-of-control and tip-over accidents, which can result in severe injury or death. Operating the machine on any slope requires extra caution.
- Operate the machine at a lower speed when you are on a slope.
- If you feel uneasy operating the machine on a slope, do not do it.
- Watch for holes, ruts, bumps, rocks, or other hidden objects. Uneven terrain could overturn the machine. Tall grass can hide obstacles.
- Choose a low ground speed so you will not have to stop or shift while on a slope.
- A rollover can occur before the tires lose traction.
- Avoid operating the machine on wet grass. Tires may lose traction; regardless if the brakes are available and functioning.
- Avoid starting, stopping, or turning the machine on a slope.

- Keep all movement on slopes slow and gradual. Do not suddenly change the speed or direction of the machine.
- Do not operate the machine near drop-offs, ditches, embankments, or bodies of water. The machine could suddenly roll over if a wheel goes over the edge or the edge caves in. Establish a safety area between the machine and any hazard (2 machine widths).

Starting and Shutting Off the Engine

1. Move the control handles to the neutral-locked position (Figure 21).

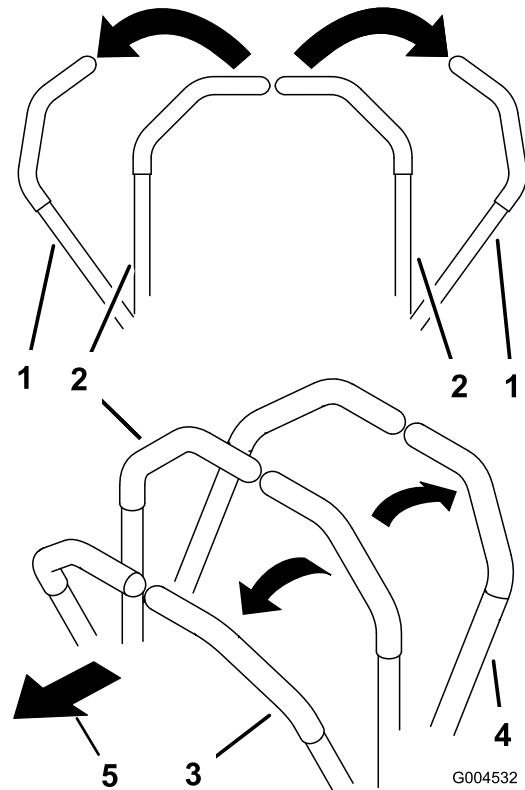


Figure 21

- | | |
|---|-------------------------|
| 1. Control handle (neutral-locked position) | 4. Backward |
| 2. Center, unlocked position | 5. Front of the machine |
| 3. Forward | |

2. Engage the parking brake; refer to [Using the Parking Brake \(page 21\)](#).
3. Pull the choke control upward to the ON position (when starting a cold engine), and move the throttle lever to the SLOW position.

Important: When operating the machine in temperatures less than 0°C (32°F) allow the machine time to warm up before using

it. This prevents damage to the hydraulic system.

4. Insert the key into the ignition switch and rotate it clockwise to start the engine. Release the key when the engine starts. Regulate the choke to keep the engine running smoothly.

Important: To prevent overheating of the starter motor, do not keep the ignition key in the START position for longer than 10 seconds. After 10 seconds of continuous cranking, wait 60 seconds before using the starter motor again.

5. To shut off the engine, move the throttle control to the SLOW position, and turn the key to the OFF position. Remove the key from the switch to prevent accidental starting.

Note: In an emergency, simply turn the key to the OFF position.

Using the Safety Interlock System

⚠ CAUTION

If the safety interlock switches are disconnected or damaged, the machine could operate unexpectedly, causing personal injury.

- Do not tamper with the interlock switches.
- Check the operation of the interlock switches daily, and replace any damaged switches before operating the machine.

The safety interlock system is designed to prevent the engine from starting unless:

- The parking brake is engaged.
- The control handles are in the neutral-locked position

The safety interlock system also stops the engine when you move the control handles out of the neutral-locked position while you are out of the seat or while the parking brake is set.

The hour meter has symbols to notify you when the interlock component is in the correct position. When the component is in the correct position, a triangle appears in the corresponding location (Figure 22).

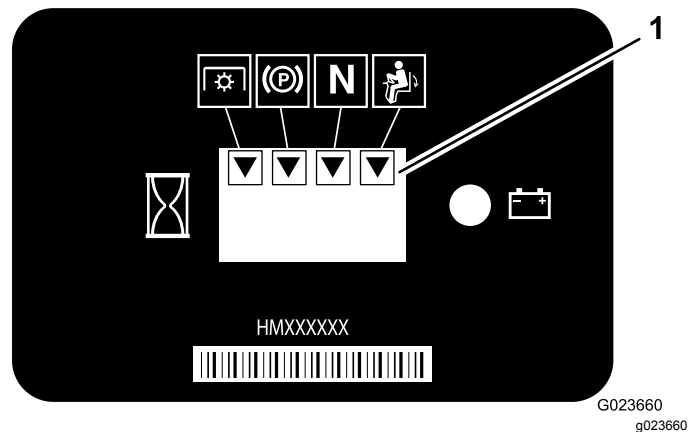


Figure 22

1. Triangles appear when the interlock components are in the correct position.

Note: The PTO (power take-off) interlock is not used on this machine.

Testing the Safety Interlock System

Service Interval: Before each use or daily

If the safety interlock system does not operate as described below, have an Authorized Toro Distributor repair it immediately.

1. Sit on the seat, move the control handles to the neutral position, and engage the parking brake.
2. Start the engine.
3. Get off the seat and slowly move each control handle forward and backward.

The engine should shut off in 1 to 3 seconds after moving either control handle in either direction. If it does not, correct the problem. Repeat steps 2 and 3 for the other control handle.

4. Sitting on the seat, engage the parking brake. Move either control handle out of the neutral-locked position. Try starting the engine; the engine should not crank. Repeat this step for the other control handle.

Driving the Machine

⚠ CAUTION

Operating the machine demands attention to prevent tipping or loss of control.

- Use care when entering and leaving sand traps.
- Use extreme caution around ditches, creeks, or other hazards.
- Use caution when operating the machine on a steep slope.
- Reduce your speed when making sharp turns or when turning on hillsides.
- Avoid sudden stops and starts.
- Do not go from reverse to full forward without first coming to a complete stop.

⚠ CAUTION

The machine can spin very rapidly. If you misuse the control handles, you may lose control of the machine and injure someone or damage the machine or other property.

- Use caution when making turns.
- Slow the machine down before making sharp turns.

Using the Control Handles

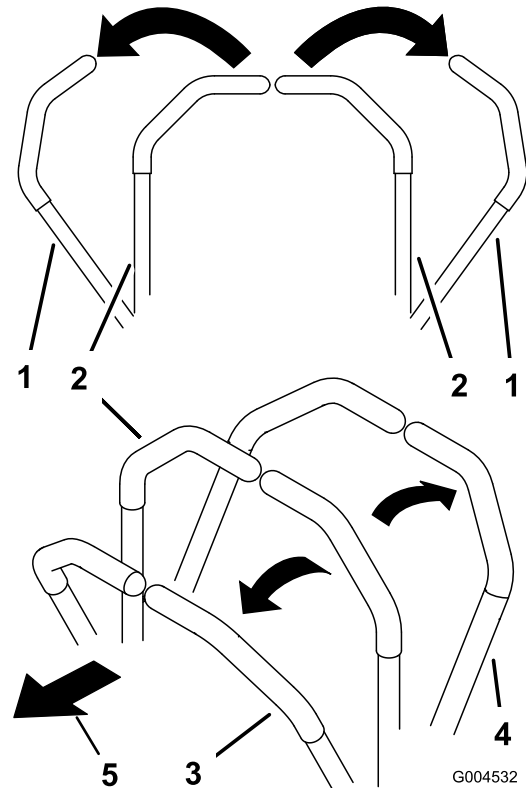


Figure 23

1. Control handle (neutral-locked position)
2. Center, unlocked position
3. Forward
4. Backward
5. Front of the machine

Driving the Machine Forward

Note: The engine shuts off if you move the control handles while the parking brake is engaged.

1. Disengage the parking brake; refer to [Using the Parking Brake \(page 21\)](#).
2. Move the control handles to the center, unlocked position.
3. To go forward, slowly push the control handles forward ([Figure 24](#)).

To stop the machine, move the control handles to the neutral position.

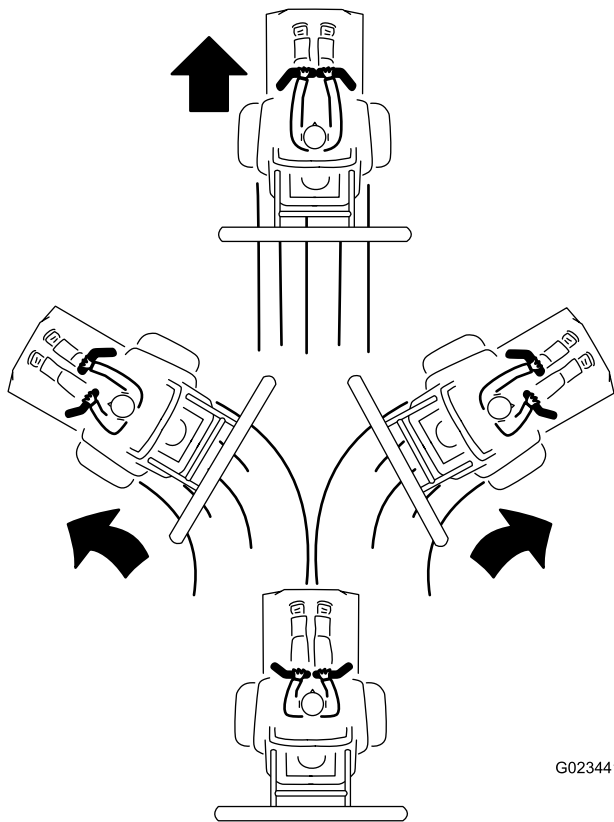


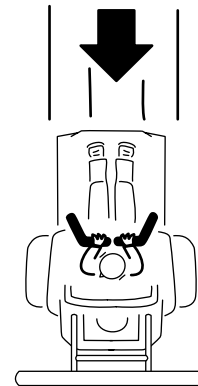
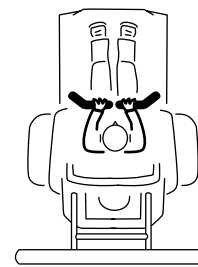
Figure 24

G023441

g023441

Driving the Machine Backward

1. Ensure that the attachment is in the desired position.
2. Move the control handles to the center, unlocked position.
3. To go backward, look behind and slowly pull the control handles backward (Figure 25).



G023442

Figure 25

g023442

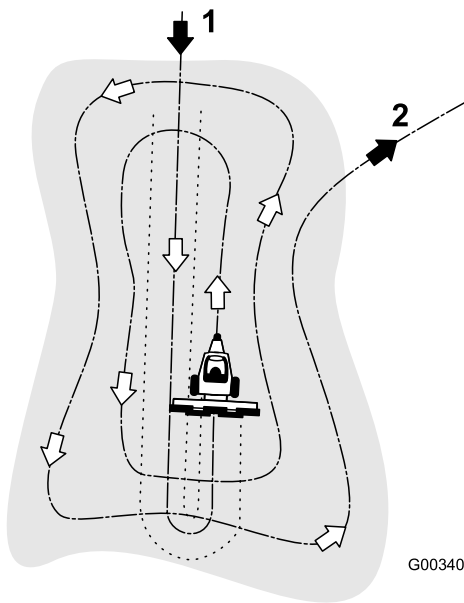
Raking a Sand Trap

Read this entire section on raking before raking a sand trap. There are many conditions that determine the adjustments necessary. The texture and depth of the sand, moisture content, weeds, and the amount of compaction are all factors that can vary from course to course, or even from trap to trap on the same course. Make the adjustments on the rake for optimum results in your particular area.

Learning How to Rake

Practice raking in a large and level trap on the course. Practice starting and stopping, turning, raising and lowering the rake, entering and leaving the trap, etc. Practice at a moderate engine speed and a slow ground speed. This training helps the operator to gain confidence in the performance of the machine.

The recommended pattern for raking a trap is shown in Figure 26. This pattern avoids unnecessary overlap, keeps compaction to a minimum, and leaves a neat, attractive pattern on the sand. This is the most efficient raking method, however, it is important to vary the raking pattern regularly to reduce the chance of creating a washboard effect.



G003409

g003409

Figure 26

1. Enter a trap straight into the long dimension in a level area.
2. Exit a trap at a right angle in a level area.

Enter the trap straight into the long dimension, where the bank is the least steep. Drive through the center of the trap almost to the end, turn to either direction as sharp as you can, and come back right next to the first pass. Spiral outward as shown in [Figure 26](#), and leave the trap at a right angle in a level area.

Leave steep, short banks and small pockets for touch-up with a hand rake.

Entering and Leaving the Trap

When entering the trap, do not lower the rake until it is over the sand. This avoids cutting the turf or dragging grass clippings or other debris into the trap. Lower the rake while the machine is moving.

When leaving the trap, start raising the rake when the front wheel leaves the trap. As the machine moves out, the rake will be lifting and will not drag sand out onto the grass.

Through experience and practice, the operator will soon understand the required timing for entering and leaving the trap properly.

After Operation Safety

- Clean grass and debris from the muffler and engine compartment to help prevent fires. Clean up oil or fuel spills.
- Allow the engine to cool before storing the machine in any enclosure.
- Shut off the fuel before storing or transporting the machine.

- Never store the machine or fuel container where there is an open flame, spark, or pilot light, such as on a water heater or on other appliances.
- Keep all parts of the machine in good working condition and all hardware tightened.
- Replace all worn or damaged decals.

Breaking in the Machine

New engines take time to develop full power. Drive systems have more friction when they are new, placing additional load on the engine.

Allow the first 8 hours of operating time for the break-in period.

Since the first hours of operation are critical to future dependability of the machine, monitor the functions and performance closely so that you can notice and correct minor difficulties, which could lead to major problems. Inspect the machine frequently during the break-in period, for signs of oil leakage, loose fasteners, or any other malfunction.

Pushing or Towing the Machine

⚠ WARNING

Hands may become entangled in the rotating drive components below the engine deck, which could result in serious injury.

Shut off the engine, remove the key, and allow all moving parts to stop before accessing the bypass-valve levers.

⚠ WARNING

The engine and hydrostatic transmissions can become very hot and cause severe burns.

Allow the engine and hydrostatic transmissions to cool completely before accessing the bypass-valve levers.

Important: Do not tow the machine for long distances or at high speeds. Doing so could damage the machine. You can tow the machine slowly from the grooming surface to the on-site trailer.

The bypass-valve levers are located on the top of each hydrostatic transmission.

Important: Ensure that the bypass-valve levers are in the fully forward position when operating

the machine, or severe damage to the hydraulic system can occur.

1. Park the machine on a level surface, lower the attachment, move the control handles to the neutral-locked position, engage the parking brake, shut off the engine, and remove the key.
2. From underneath the machine, rotate the bypass-valve levers (Figure 27 and Figure 28) so that they point inward, toward the center of the machine (Figure 29), and disengage the parking brake; refer to [Using the Parking Brake](#) (page 21).

Note: This allows the hydraulic fluid to bypass the pumps, enabling the wheels to turn freely.

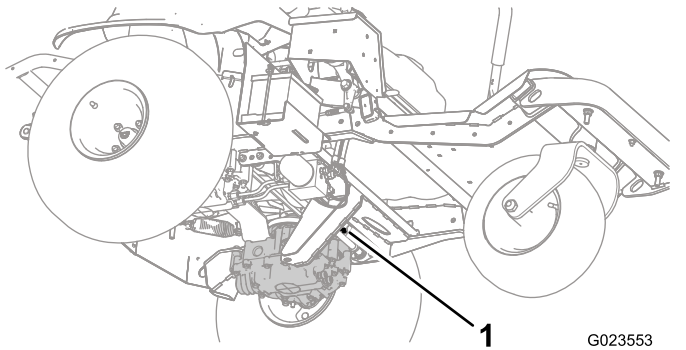


Figure 27
Left bypass-valve lever

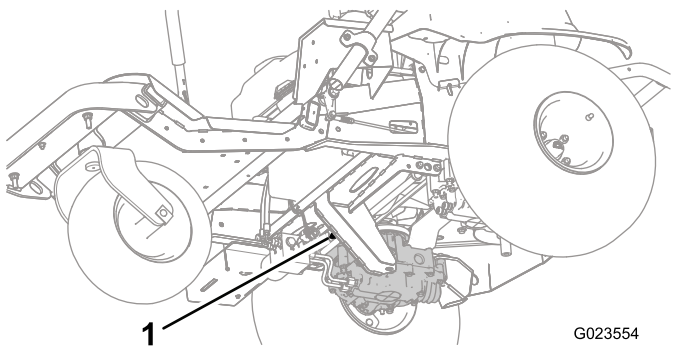


Figure 28
Right bypass-valve lever

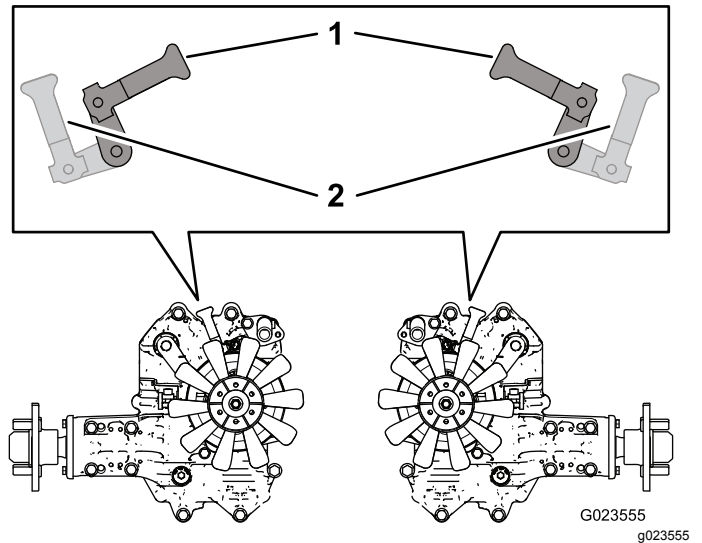


Figure 29

1. Inward to push or tow the machine
 2. Forward to drive the machine
-
3. When you are finished pushing or towing the machine, rotate the bypass-valve levers so that they point toward the front of the machine, to allow the machine to drive (Figure 29).

Transporting the Machine

⚠ WARNING

Driving on the street or roadway without turn signals, lights, reflective markings, or a slow-moving-vehicle emblem is dangerous and can lead to accidents causing personal injury.

Do not drive the machine on a public street or roadway.

1. If you are using a trailer, connect it to the towing vehicle and connect the safety chains.
2. If applicable, connect the trailer brakes.
3. Load the machine onto the trailer or truck.
4. Move the control handles to the neutral-locked position, engage the parking brake, shut off the engine, and remove the key.
5. Use the tie-down points on the machine (Figure 30) to securely fasten the machine to the transport vehicle with straps, chains, cable, or ropes.

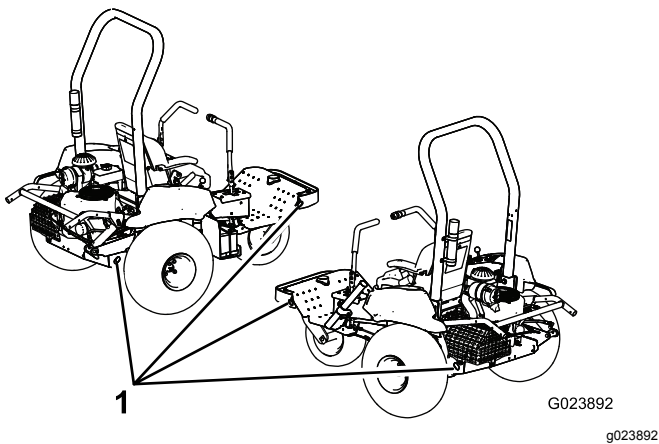


Figure 30

1. Tie-down points

Loading the Machine

Use extreme caution when loading or unloading the machine onto a trailer or a truck. Use a full-width ramp that is wider than the machine for this procedure.

Important: Do not use narrow individual ramps for each side of the machine.

Ensure that the ramp is long enough so that the angle does not exceed 13 degrees (Figure 31). A steeper angle may cause the attachment to get caught as the machine moves from the ground to the ramp and machine components to get caught as the machine moves from the ramp to the transport vehicle. Steeper angles may also cause the machine to tip or lose control. If you are loading the machine on or near a slope, position the trailer or truck so that it is on the down side of the slope and the ramp extends up the slope; this minimizes the ramp angle. The trailer or truck should be as level as possible.

⚠ WARNING

Loading the machine onto a transport vehicle increases the possibility of tipping over and could cause serious injury or death.

- Use extreme caution when operating the machine on a ramp.
- Ensure that the ROPS is installed and secure and use the seat belt when loading or unloading the machine. Ensure that the ROPS clears the top of an enclosed trailer.
- Use only a full-width ramp; do not use individual ramps for each side of the machine.
- Do not exceed a 13-degree angle between the ramp and the ground or between the ramp and the transport vehicle.
- Avoid sudden acceleration or deceleration while driving the machine on a ramp, as this could cause a loss of control or a tip-over.
- Ensure that an attachment is installed and in the raised position when loading the machine onto a transport vehicle.

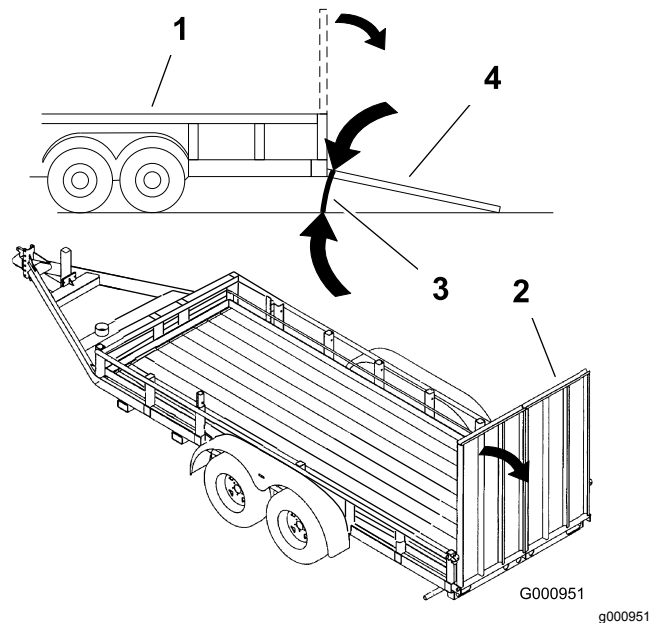


Figure 31

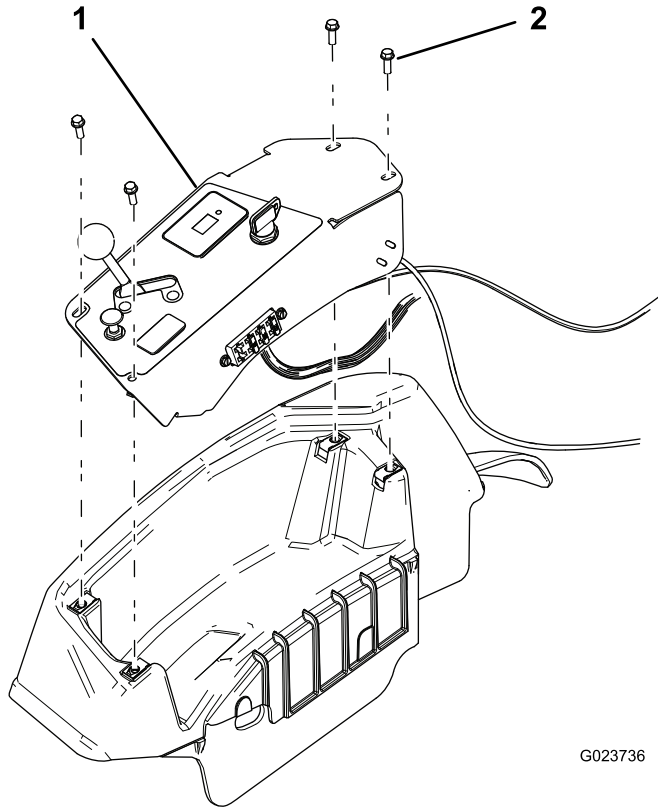
- | | |
|--------------------|--------------------------------|
| 1. Trailer | 3. Not greater than 13 degrees |
| 2. Full-width ramp | 4. Full-width ramp—side view |

Installing a Wireless Hour Meter

An optional wireless hour meter is available through your Authorized Toro Distributor.

Refer to the *Wireless Hourmeter System* guide.

1. Park the machine on a level surface, lower the attachment, engage the parking brake, shut off the engine, and remove the key.
2. Remove the control panel (Figure 32).



G023736

g023736

Figure 32

1. Control panel
2. Screw (4)

3. Locate the wireless hour-meter jumper.

Note: The jumper is labeled.

4. Attach the wireless hour meter.
5. Tie the wireless hour meter to the existing harness to prevent excessive motion in the console.
6. Install the control panel.

Operating Tips

- If the sand is deep enough, you can rake right up to the edge of the trap in level areas.
- If the sand feathers out to the turf, stay far enough away from the edge to avoid disturbing the underlying soil.

Maintenance

Note: Determine the left and right sides of the machine from the normal operating position.

⚠ CAUTION

If you leave the key in the switch, someone could accidentally start the engine and seriously injure you or other bystanders.

Remove the key from the switch before you do any maintenance.

Recommended Maintenance Schedule(s)

Maintenance Service Interval	Maintenance Procedure
After the first 8 hours	<ul style="list-style-type: none">• Torque the wheel lug nuts.• Change the engine oil.• Change the engine oil filter.• Change the hydraulic fluid and filters.
Before each use or daily	<ul style="list-style-type: none">• Check the level of the engine oil.• Check the level of the hydraulic fluid.• Check the tire pressure.• Check the safety interlock system.• Check the condition of the hydraulic lines and hoses.• Inspect and clean the machine.
Every 100 hours	<ul style="list-style-type: none">• Torque the wheel lug nuts.• Grease the machine.• Change the engine oil (more often in extremely dusty or dirty operating conditions).• Change the engine oil filter (more often in extremely dusty or dirty operating conditions).• Service the spark plugs.• Check the battery cable connections.
Every 200 hours	<ul style="list-style-type: none">• Replace the air filter (more often in dusty conditions).• Replace the carbon-canister filter.
Every 300 hours	<ul style="list-style-type: none">• Check and adjust the valve clearance.• Clean and lap the valve-seating surface.
Every 400 hours	<ul style="list-style-type: none">• Change the hydraulic fluid and filters.
Every 800 hours	<ul style="list-style-type: none">• Replace the fuel filter.

Important: Refer to your engine owner's manual for additional maintenance procedures.

Daily Maintenance Checklist

Duplicate this page for routine use.

Maintenance Check Item	For the week of:						
	Mon.	Tues.	Wed.	Thurs.	Fri.	Sat.	Sun.
Check the safety interlock operation.							
Check the parking brake operation.							
Check the operation of the control handles .							
Check the fuel level.							
Check the engine oil level.							
Check the air filter condition.							
Clean the engine cooling fins.							
Check unusual engine noises.							
Check unusual operating noises.							
Check the level of the hydraulic fluid.							
Check hydraulic hoses for damage.							
Check for fluid leaks.							
Check the tire pressure.							
Check the instrument operation.							
Lubricate all grease fittings. ¹							
Touch-up damaged paint.							
1. Immediately after every washing, regardless of the interval listed.							

Notation for Areas of Concern		
Inspection performed by:		
Item	Date	Information

Pre-Maintenance Procedures

Pre-Maintenance Safety

- Before adjusting, cleaning, repairing, or leaving the machine, do the following:
 - Park the machine on a level surface.
 - Move the throttle switch to the low-idle position.
 - Lower the attachment.
 - Ensure that the traction is in neutral.
 - Engage the parking brake.
 - Shut off the engine and remove the key.
 - Wait for all moving parts to stop.
 - Allow machine components to cool before performing maintenance.
- If possible, do not perform maintenance while the engine is running. Keep away from moving parts.
- Use jack stands to support the machine or components when required.
- Carefully release pressure from components with stored energy.

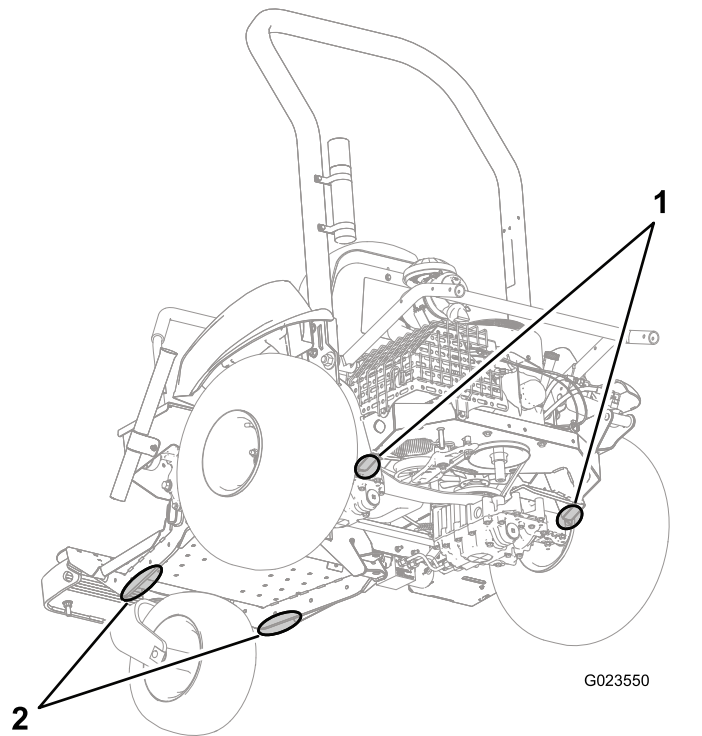


Figure 33

1. Support points (rear) 2. Support points (front)

Lifting the Machine

⚠ WARNING

Mechanical or hydraulic jacks may fail to support the machine and cause serious injury.

Use jack stands when supporting the machine.

Refer to [Figure 33](#) for the support points.

Lubrication

Greasing the Machine

Service Interval: Every 100 hours

Grease Type: No. 2 lithium grease

Grease each grease fitting located on the front wheel hub, the belt tensioner, and the attachment lift as follows:

1. Park the machine on a level surface, lower the attachment, move the control handles to the neutral-locked position, engage the parking brake, shut off the engine, and remove the key.
 2. Wipe the grease fitting clean so that foreign matter cannot be forced into the bearing or bushing.
 3. Attach a grease gun to the fitting, and pump grease into the fitting.
 4. Wipe up any excess grease.
- Front wheel bearing (1)—[Figure 34](#)

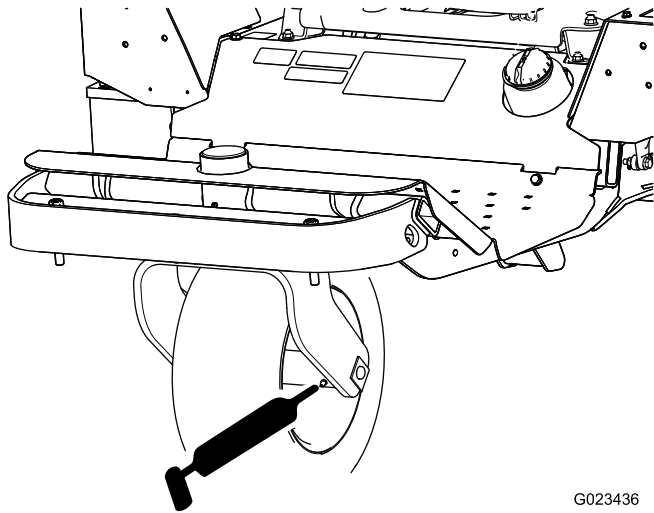


Figure 34

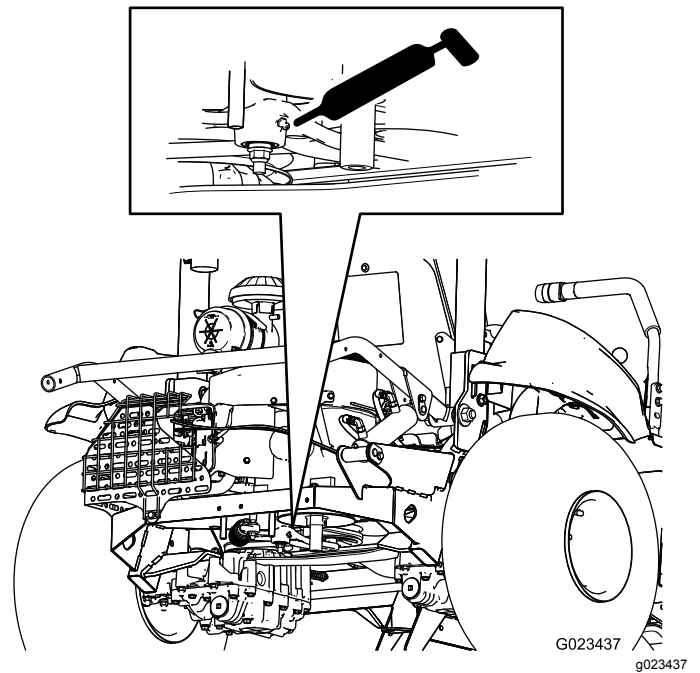


Figure 35

- Attachment lift (4)—[Figure 36](#)

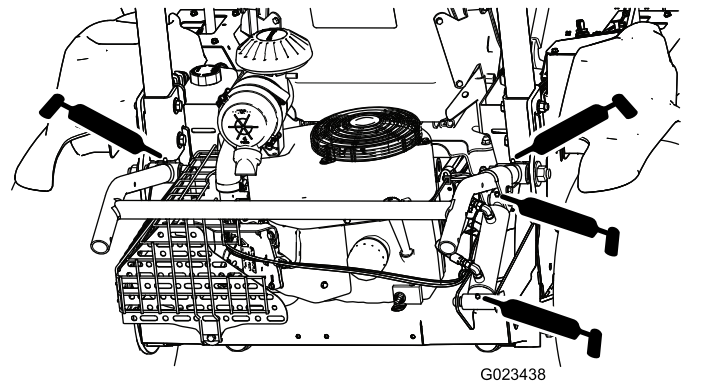


Figure 36

- Belt tensioner (1)—[Figure 35](#)

Engine Maintenance

Engine Safety

- Shut off the engine before checking the oil or adding oil to the crankcase.
- Do not change the governor speed or overspeed the engine.

Servicing the Engine Oil and Filter

Changing the Engine Oil

Service Interval: After the first 8 hours—Change the engine oil.

Every 100 hours—Change the engine oil (more often in extremely dusty or dirty operating conditions).

Toro Premium Engine Oil is available from your Authorized Toro Distributor.

Crankcase Capacity: 1.66 L (1.75 US qt) with filter change

Use 4-cycle engine oil that meets or exceeds the following requirements:

- **API service category:** SJ, SL, SM, or higher
- **Viscosity:** SAE 30; refer to the following chart for other viscosities (Figure 37):

Important: Using multi-viscosity oils, such as 10W-30, increases oil consumption. Check the oil level more frequently when using them.

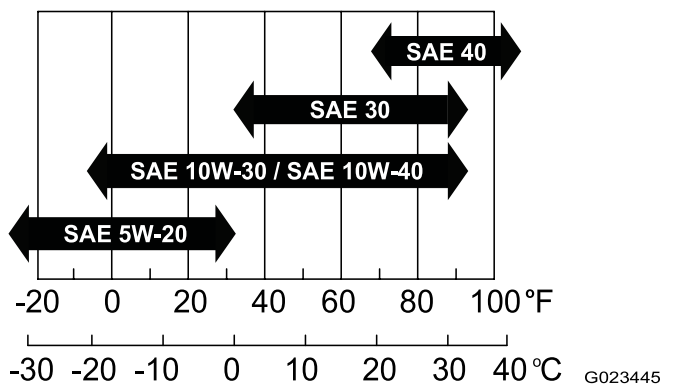


Figure 37

3. Remove the drain plug (Figure 39) and let the oil drain into a suitable container. When the oil stops draining, install the drain plug.

Note: Insert a piece of paper or light cardboard into the drain hole to channel the oil away from the engine mounting plate (Figure 38).

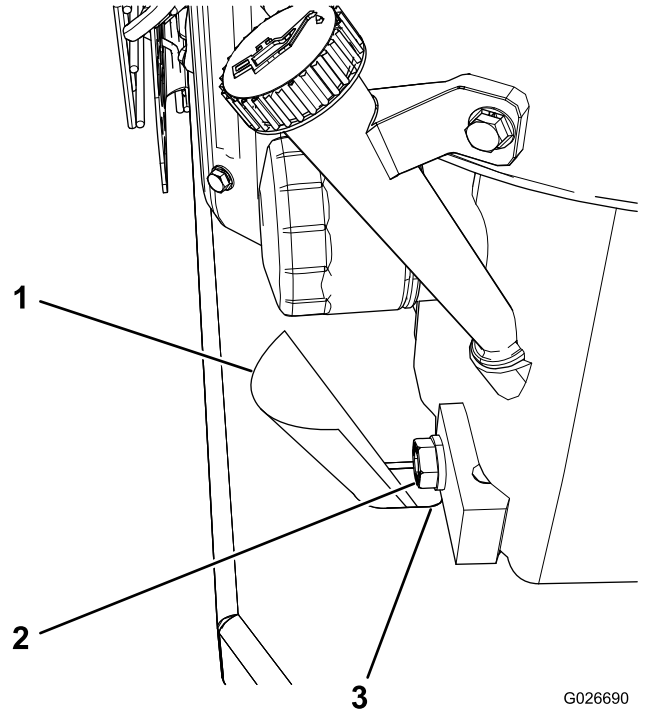


Figure 38

1. Cardboard
2. Drain plug
3. Drain hole

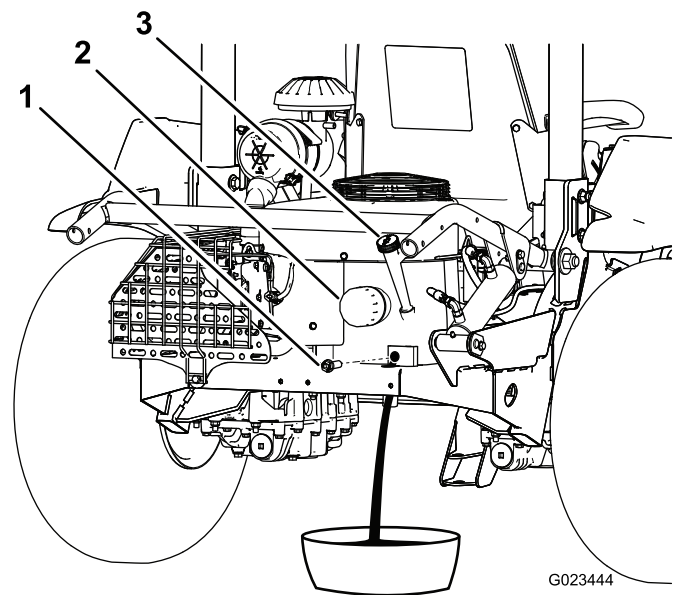


Figure 39

1. Drain plug
2. Oil filter
3. Dipstick

1. Run the engine for a few minutes to warm the oil.
2. Park the machine on a level surface, lower the attachment, move the control handles to the neutral-locked position, engage the parking brake, shut off the engine, and remove the key.

- Remove the dipstick and wipe it with a clean cloth (Figure 40).

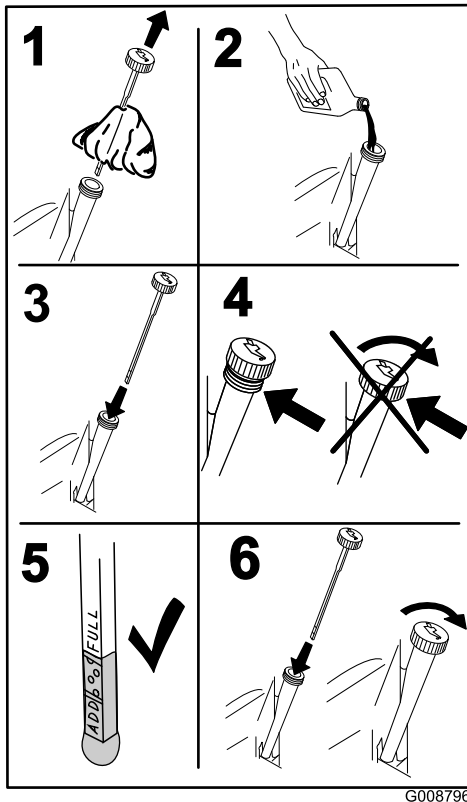


Figure 40

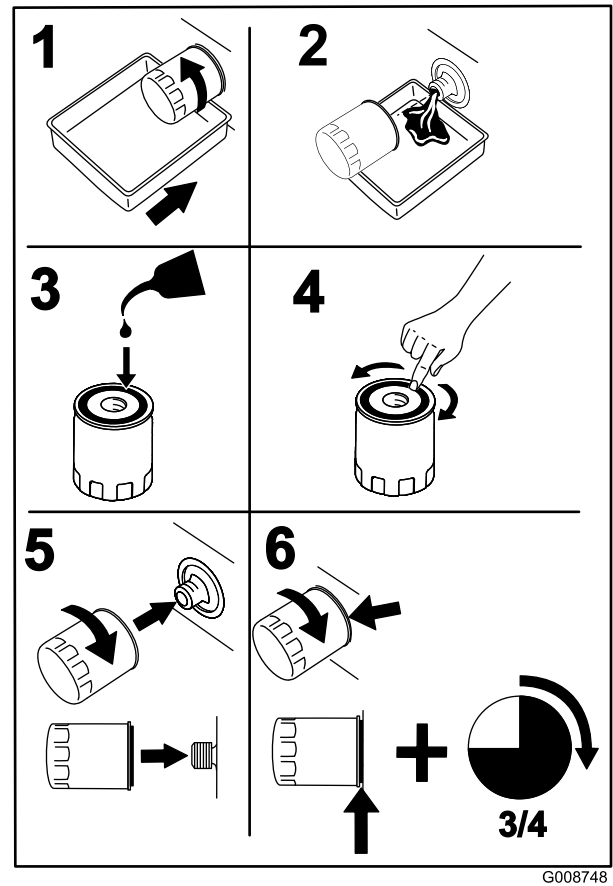


Figure 41

- Pour fresh oil into the fill tube.
- Start the engine and let it run for about 3 minutes, and ensure that there are no leaks.
- Stop the engine.
- Check the oil level, and add oil if necessary.
- Install the dipstick.
- Dispose of the used oil according to local codes.

Changing the Engine Oil Filter

Service Interval: After the first 8 hours—Change the engine oil filter.

Every 100 hours—Change the engine oil filter (more often in extremely dusty or dirty operating conditions).

- Run the engine for a few minutes to warm the oil.
- Park the machine on a level surface, lower the attachment, move the control handles to the neutral-locked position, engage the parking brake, shut off the engine, and remove the key.
- Drain the engine oil; refer to [Servicing the Engine Oil and Filter \(page 34\)](#).
- Place a drain pan under the oil filter, and turn the filter counterclockwise to remove it (Figure 41).

- Apply a light coat of clean oil to the gasket of the new filter.
- Install the new filter, turning it by hand until the gasket contacts the filter adapter; then tighten it 3/4 turn more.

Important: Do not overtighten the filter.

- Check the oil level; refer to [Checking the Level of the Engine Oil \(page 17\)](#).
- If necessary, add oil into the fill tube.
- Start the engine and let it run for about 3 minutes, and ensure that there are no leaks.
- Shut off the engine.
- Check the oil level, and add oil if necessary.
- Note:** The filter holds some oil, so the oil level may decrease when installing a new filter.
- Install the dipstick.
- Dispose of the used oil according to local codes.

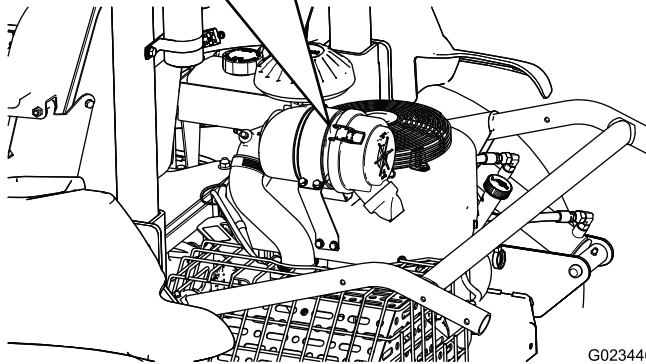
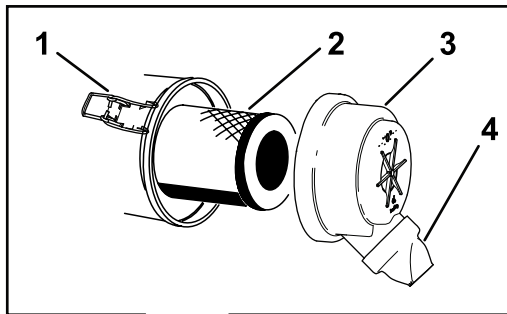
Servicing the Air Cleaner

Replacing the Air Filter

Service Interval: Every 200 hours (more often in dusty conditions).

Note: Changing the air filter before it is necessary only increases the chance of dirt entering the engine when the filter is removed.

1. Park the machine on a level surface, lower the attachment, move the control handles to the neutral-locked position, engage the parking brake, shut off the engine, and remove the key.
2. Release the latches securing the air-cleaner cover to the air-cleaner body (Figure 42).



G023446
g023446

Figure 42

- | | |
|---------------|-----------------------|
| 1. Latch (2) | 3. Cover |
| 2. Air filter | 4. Dirt-ejection port |

3. Remove the cover from the air-cleaner body.
4. Remove the old filter, and install the new filter.

Note: Inspect the new filter for shipping damage, checking the sealing end of the filter and the body. Do not use a damaged element. Insert the new filter by applying pressure to the outer rim of the element to seat it in the canister. Do not apply pressure to the flexible center of the filter.

Note: Do not clean the used element, because it can damage the filter media.

5. Clean the dirt-ejection port located in the removable cover.
6. Install the cover so that the dirt-ejection port points downward.
7. Secure the latches.
8. Check the whole intake system for leaks, damage, or loose hose clamps.

Servicing the Spark Plugs

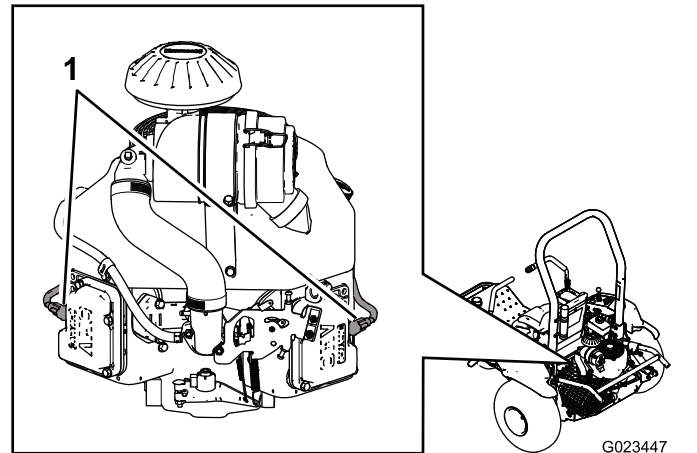
Service Interval: Every 100 hours

Type: NGK BPR4ES (or equivalent)

Gap: 0.76 mm (0.030 inch)

Note: The spark plugs usually last a long time; however, you should check them whenever the engine malfunctions.

1. Park the machine on a level surface, lower the attachment, move the control handles to the neutral-locked position, engage the parking brake, shut off the engine, and remove the key.
2. Clean the area around each of the spark plugs so that foreign matter cannot fall into the cylinders when you remove the spark plugs.



G023447
g023447

Figure 43

1. Spark-plug wires

3. Disconnect the spark-plug wires from the spark plugs, and remove the plugs from the cylinder heads.
4. Check the condition of the side electrode, the center electrode, and the insulator to ensure that there is no damage.

Important: Replace the spark plugs if they are cracked, fouled, dirty, or otherwise malfunctioning. Do not clean the electrodes,

because grit entering the cylinder may damage the engine.

- For each spark plug, set the gap between the center electrode and the side electrode to 0.76 mm (0.030 inch); refer to [Figure 44](#). Install each of the correctly gapped spark plugs with a gasket seal, and tighten the plugs to 22 N·m (16 ft-lb).

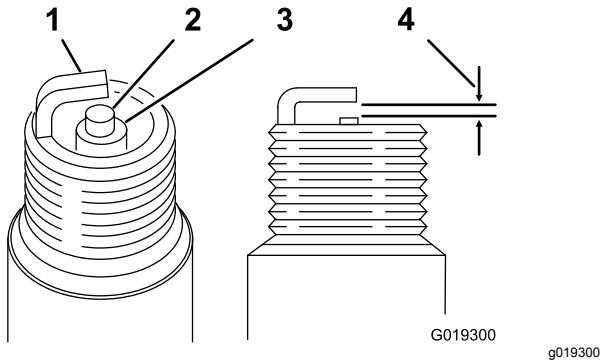


Figure 44

- | | |
|---------------------|-----------------------------|
| 1. Side electrode | 3. Insulator |
| 2. Center electrode | 4. 0.76 mm (0.030 inch) gap |

Checking and Adjusting the Valve Clearance

Service Interval: Every 300 hours

This procedure must be performed with the proper tools. See your authorized Kawasaki engine dealer for service, unless you have the proper equipment and adequate mechanical proficiency.

Cleaning and Lapping the Valve-Seating Surface

Service Interval: Every 300 hours

This procedure must be performed with the proper tools. See your authorized Kawasaki engine dealer for service, unless you have the proper equipment and adequate mechanical proficiency.

Fuel System Maintenance

Replacing the Carbon-Canister Filter

Service Interval: Every 200 hours

- Park the machine on a level surface, lower the attachment, move the control handles to the neutral-locked position, engage the parking brake, shut off the engine, and remove the key.
- Remove the fasteners securing the seat assembly to the machine.

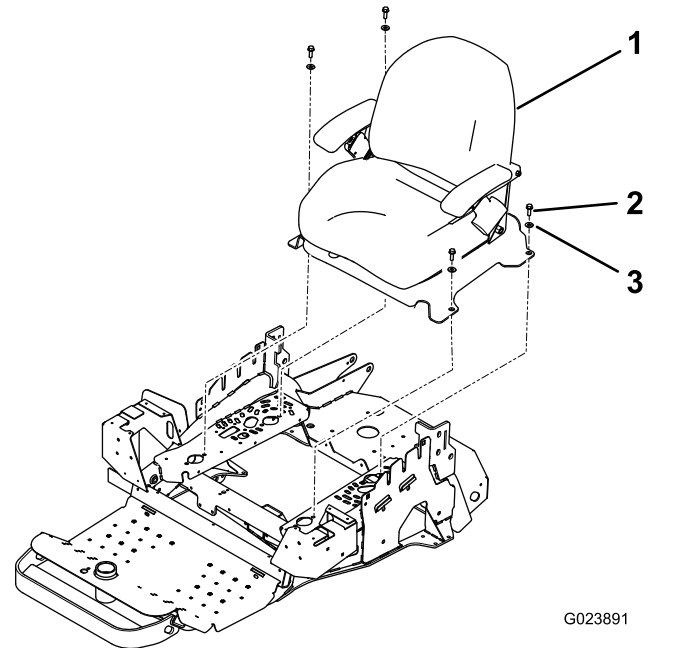


Figure 45

- | | |
|------------------|---------------|
| 1. Seat assembly | 3. Washer (4) |
| 2. Bolt (4) | |

- Disconnect the filter from the carbon canister ([Figure 46](#)).

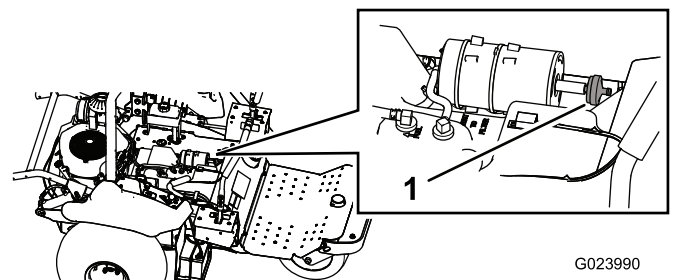


Figure 46

- Carbon-canister filter

4. Connect the new filter to the carbon canister.
5. Install the seat support plate and the seat.

Replacing the Fuel Filter

Service Interval: Every 800 hours

The fuel line has an in-line filter. Replace it as follows:

1. Park the machine on a level surface, lower the attachment, move the control handles to the neutral-locked position, engage the parking brake, shut off the engine, and remove the key.
2. Loosen the hose clamp on the carburetor side of the filter, and remove the fuel line from the filter (Figure 47 and Figure 48).

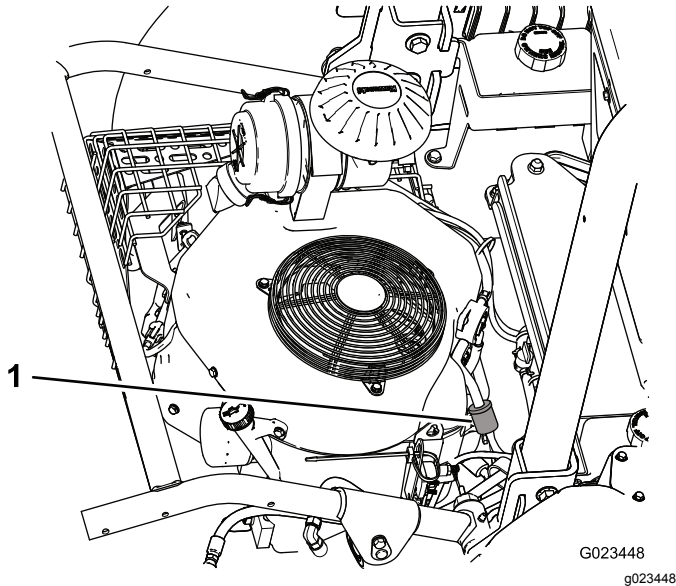


Figure 47

1. Fuel filter

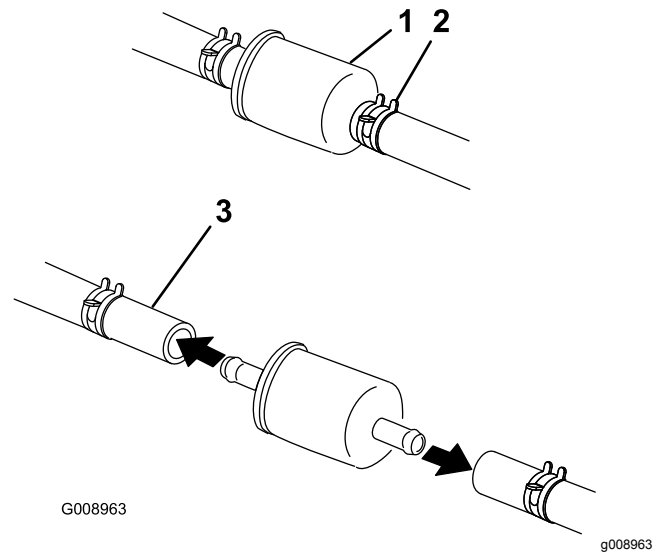


Figure 48

1. Fuel filter
2. Hose clamp (2)
3. Fuel line

3. Place a drain pan under the filter, loosen the remaining hose clamp, and remove the filter.
4. Slide the hose clamps onto the ends of the fuel lines.
5. Push the fuel lines onto the new fuel filter, and secure them with the hose clamps.

Note: Install the new filter with the arrow on the filter body pointing away from the fuel tank (toward the carburetor).

Electrical System Maintenance

Electrical System Safety

- Disconnect the battery before repairing the machine. Disconnect the negative terminal first and the positive last. Connect the positive terminal first and the negative last.
- Charge the battery in an open, well-ventilated area, away from sparks and flames. Unplug the charger before connecting or disconnecting the battery. Wear protective clothing and use insulated tools.

WARNING

CALIFORNIA Proposition 65 Warning

Battery posts, terminals, and related accessories contain lead and lead compounds, chemicals known to the State of California to cause cancer and reproductive harm. Wash hands after handling.

Jump-Starting the Machine

1. Remove any corrosion from the battery terminals, and ensure that the connections are tight before jump-starting the machine.

Important: Corrosion or loose connections can cause unwanted electrical voltage spikes at any time during the jump-starting procedure, which could damage the engine. Do not attempt to jump-start the machine if the battery terminals are loose or corroded.

⚠ DANGER

Jump-starting a weak battery that is cracked or frozen, or has a low electrolyte level or an open/shorted battery cell, can cause an explosion resulting in serious personal injury.

Do not jump-start a weak battery if these conditions exist.

2. Ensure that the booster battery is a good, fully charged lead-acid battery with at least 12.6 V. Use properly sized jumper cables with short lengths to reduce the voltage drop between the systems. Make sure that the cables are color coded or labeled for the correct polarity.

Note: Be sure that the vent caps are tight and level. Place a damp cloth, if available, over the vent caps on each battery. Be sure that the machines do not touch and that both electrical systems are turned off and have the same rated system voltage. These instructions are for negative-ground systems only.

3. Connect the positive (+) cable to the positive (+) terminal of the discharged battery that is wired to the starter or solenoid as shown in [Figure 49](#).

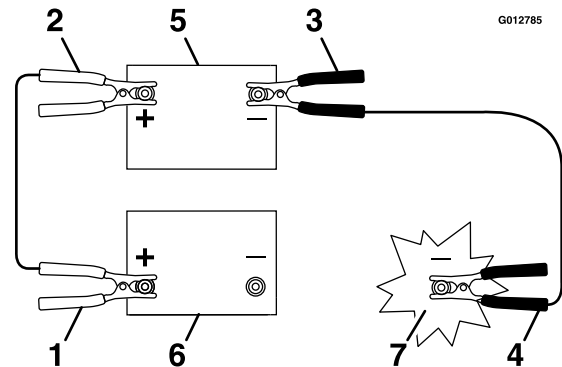


Figure 49

- | | |
|--|-----------------------|
| 1. Positive (+) cable on discharged battery | 5. Booster battery |
| 2. Positive (+) cable on booster battery | 6. Discharged battery |
| 3. Negative (-) cable on the booster battery | 7. Engine block |
| 4. Negative (-) cable on the engine block | |

4. Connect the other end of the positive cable to the positive terminal of the booster battery.
5. Connect the black negative (-) cable to the other terminal (negative) of the booster battery.
6. Make the final connection on the **engine block** (not on the negative battery post) of the machine with the discharged battery, away from the battery, and stand back ([Figure 50](#)).

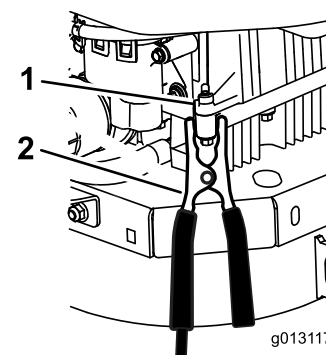


Figure 50

- | | |
|-----------------|-----------------------|
| 1. Engine block | 2. Negative (-) cable |
|-----------------|-----------------------|

- Start the engine, and remove the cables in the reverse order of connection.

Note: Disconnect the cable connected to the engine block (black cable) first.

Replacing the Fuses

Park the machine on a level surface, lower the attachment, move the control handles to the neutral-locked position, engage the parking brake, shut off the engine, and remove the key.

The fuse block (Figure 51) is located near the control panel.

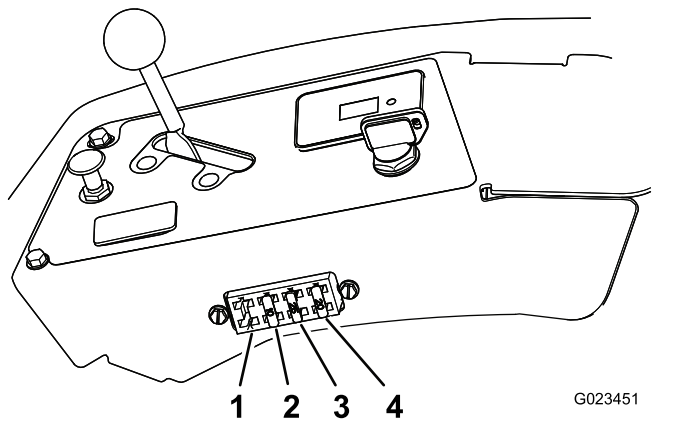


Figure 51

- Lights (sold separately)
- Attachment—10A
- Engine start—25A
- Battery—20A

To replace a fuse, remove it by simply pulling it out from the fuse block, and install a new fuse

Important: Always use a fuse of the same type and amperage as the one you are replacing; otherwise, you could damage the electrical system. Refer to the decal on the back of the seat for the function and amperage of each fuse.

Servicing the Battery

Charging the Battery

⚠ WARNING

Charging the battery produces gases that can explode, seriously injuring you or bystanders.

Never smoke near the battery, and keep sparks and flames away from the battery.

Important: Always keep the battery fully charged. This is especially important to prevent battery damage when the temperature is below 0°C (32°F).

- Park the machine on a level surface, lower the attachment, move the control handles to the neutral-locked position, engage the parking brake, shut off the engine, and remove the key.
- Charge the battery for 10 to 15 minutes at 25 to 30 A, or 30 minutes at 10 A.
- When the battery is fully charged, unplug the charger from the electrical outlet, and disconnect the charger leads from the battery posts (Figure 52).
- Install the battery in the machine and connect the battery cables; refer to [Installing the Battery](#) (page 41).

Important: Do not run the machine with the battery disconnected; electrical damage may occur.

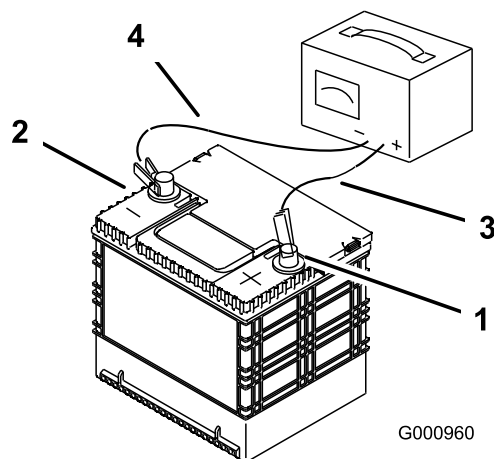


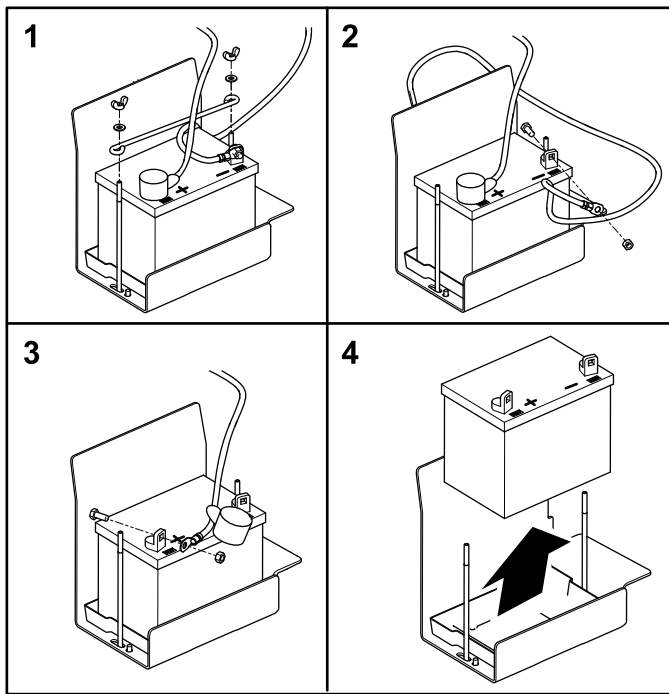
Figure 52

- Positive battery post
- Negative battery post
- Red (+) charger lead
- Black (-) charger lead

If the battery no longer holds a charge, replace it; refer to [Removing the Battery](#) (page 40) and [Installing the Battery](#) (page 41).

Removing the Battery

- Park the machine on a level surface, lower the attachment, move the control handles to the neutral-locked position, engage the parking brake, shut off the engine, and remove the key.
- Remove the wing nuts and washers securing the battery hold-down (Figure 53).



G023653
g023653

Figure 53

3. Disconnect the negative (black) ground cable from the battery post.

⚠ WARNING

Incorrect battery cable routing could damage the machine and cables, causing sparks. Sparks can cause the battery gases to explode, resulting in personal injury.

- Always disconnect the negative (black) battery cable before disconnecting the positive (red) cable.
- Always connect the positive (red) battery cable before connecting the negative (black) cable.

⚠ WARNING

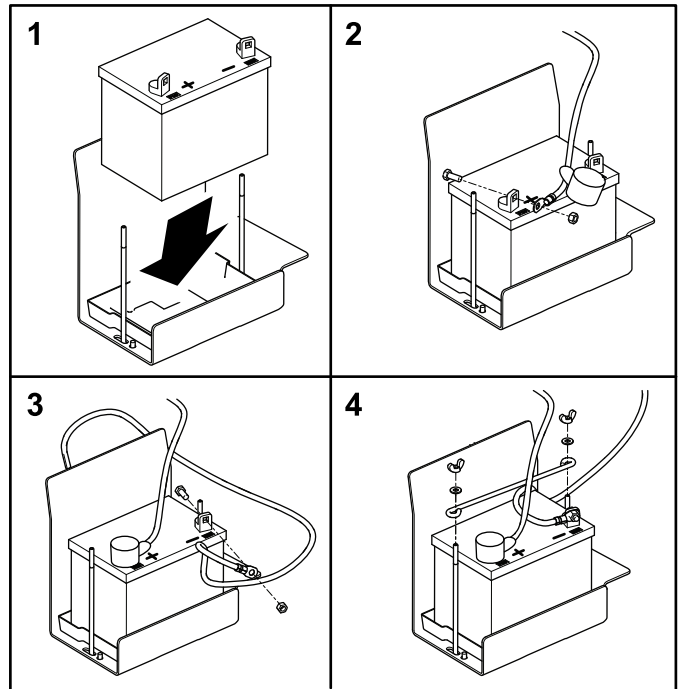
Battery terminals or metal tools could short against metal machine components, causing sparks. Sparks can cause the battery gases to explode, resulting in personal injury.

- When removing or installing the battery, do not allow the battery terminals to touch any metal parts of the machine.
- Do not allow metal tools to short between the battery terminals and metal parts of the machine.

4. Slide the red terminal boot off the positive (+) battery terminal, and remove the positive (red) battery cable.
5. Remove the battery.

Installing the Battery

1. Place the battery in the tray.



G023659
g023659

Figure 54

2. Install the positive (red) battery cable to the positive (+) battery terminal, and tighten the nut onto the bolt.

Important: The red cable may be covered by a wire loom. The positive cable is the one with the red boot.

3. Install the negative (black) ground cable to the negative (-) battery terminal, and tighten the nut onto the bolt.
4. Slide the red terminal boot onto the positive (+) battery post.
5. Install the hold-down, and secure it with the wing nuts and washers.

Checking and Cleaning the Battery

Service Interval: Every 100 hours—Check the battery cable connections.

Park the machine on a level surface, lower the attachment, move the control handles to the neutral-locked position, engage the parking brake, shut off the engine, and remove the key.

Keep the top of the battery clean. If the machine is stored in a location where temperatures are extremely high, the battery will discharge more rapidly than if the machine is stored in a cooler location.

Keep the top of the battery clean by washing it with a brush dipped in ammonia or a solution of sodium bicarbonate. Flush the top surface with water after cleaning. Do not remove the fill cap while cleaning the battery.

The battery cables must be tight on the terminals to provide good electrical contact.

If corrosion occurs at the battery terminals, disconnect the cables, negative (-) cable first, and scrape the clamps and terminals separately. Connect the cables, positive (+) cable first, and coat the terminals with petroleum jelly.

Drive System Maintenance

Checking the Tracking

1. Drive to a flat, open area, and move the control handles to the neutral-locked position.
2. Move the throttle midway between the FAST and SLOW positions.
3. Move both control handles all the way forward until they both hit the stops in the T-slot.
4. Check which way the machine tracks.

Adjusting the Tracking

1. Park the machine on a level surface, lower the attachment, move the control handles to the neutral-locked position, engage the parking brake, shut off the engine, and remove the key.
2. Depending on which way the machine tracks, do the following:
 - If it tracks to the right, loosen the bolts and adjust the left stop plate rearward until the machine tracks straight (Figure 55).
 - If it tracks to the left, loosen the bolts and adjust the right stop plate rearward until the machine tracks straight (Figure 55).

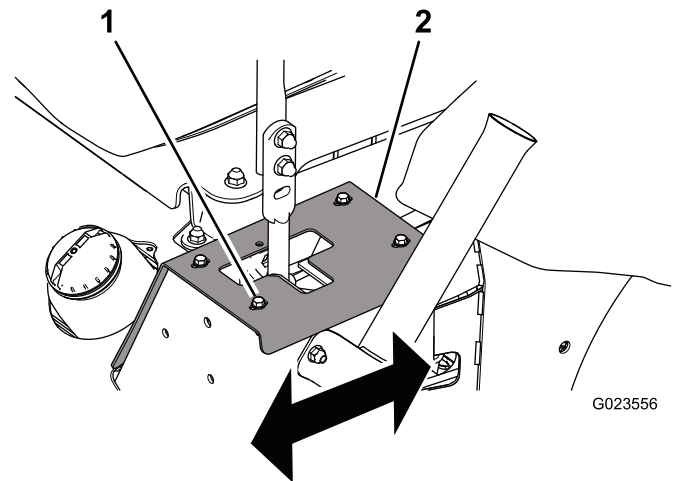


Figure 55

Left control handle shown

1. Bolt (4)
2. Stop plate

3. Tighten the bolts to secure the stop plate (Figure 55).

Important: Ensure that each control handle stops against the stop plate and not against the transmission internal stop.

Replacing the Drive Belt and the Tensioner Pulley

1. Park the machine on a level surface, lower the attachment, move the control handles to the neutral-locked position, engage the parking brake, shut off the engine, and remove the key.
2. Raise the rear of the machine and support it with jack stands; refer to [Lifting the Machine \(page 32\)](#).

⚠ WARNING

Mechanical or hydraulic jacks may fail to support the machine and cause serious injury.

Use jack stands when supporting the machine.

3. Use a ratchet in the square hole in the tensioner arm to counteract against the tensioner spring ([Figure 56](#)), and remove the belt from the tensioner pulley.

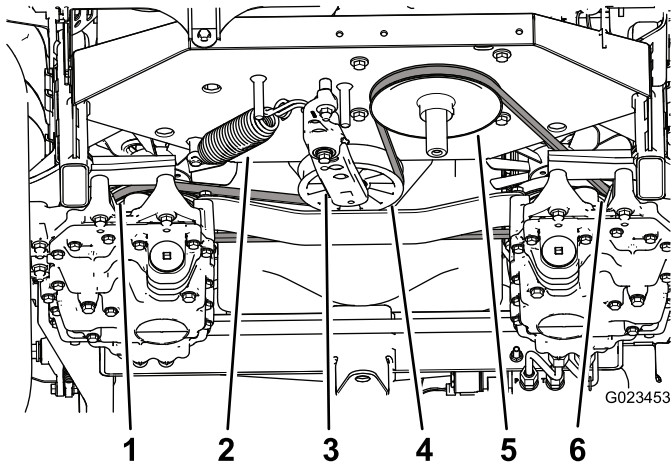


Figure 56

- | | |
|-----------------------------|------------------------------|
| 1. Left transmission pulley | 4. Tensioner pulley |
| 2. Tensioner spring | 5. Engine pulley |
| 3. Tensioner arm | 6. Right transmission pulley |

4. Unhook the tensioner spring from the tensioner arm and the frame ([Figure 56](#)).
5. Remove the nut that secures the tensioner assembly to the frame ([Figure 57](#)).

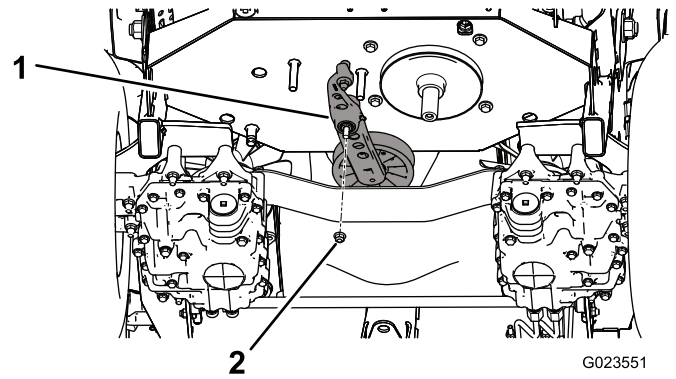


Figure 57

- | | |
|-----------------------|--------|
| 1. Tensioner assembly | 2. Nut |
|-----------------------|--------|

6. Remove the bolt securing the old tensioner pulley to the tensioner arm, and install a new pulley ([Figure 58](#)).

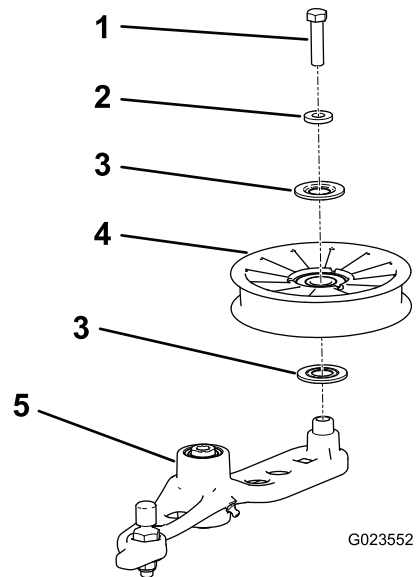


Figure 58

- | | |
|-----------|------------------|
| 1. Bolt | 4. Pulley |
| 2. Spacer | 5. Tensioner arm |
| 3. Seal | |

7. Remove the belt from the transmission pulleys and the engine pulley.
8. Install the new belt around the engine pulley and the 2 transmission pulleys.
9. Install the spring on the tensioner arm and the frame ([Figure 56](#)).
10. Use a ratchet in the square hole in the tensioner arm to temporarily stretch the tensioner spring, and align the belt to the tensioner pulley.

Controls System Maintenance

Adjusting the Control-Handle Position

There are 2 height positions for the control handles; high and low.

1. Park the machine on a level surface, lower the attachment, move the control handles to the neutral-locked position, engage the parking brake, shut off the engine, and remove the key.
2. Loosen the bolts and flange nuts that attach the handles to the levers (Figure 59).

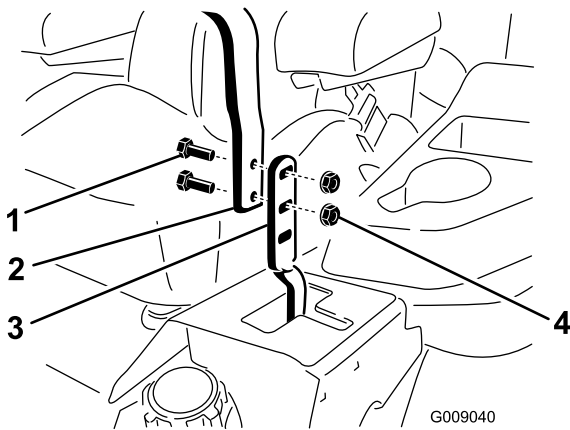


Figure 59

- | | |
|-------------------|---------------|
| 1. Bolt | 3. Lever |
| 2. Control handle | 4. Flange nut |

3. Align the front-to-rear position of the handles by bringing them together to the neutral position, and sliding them until they are aligned (Figure 60).

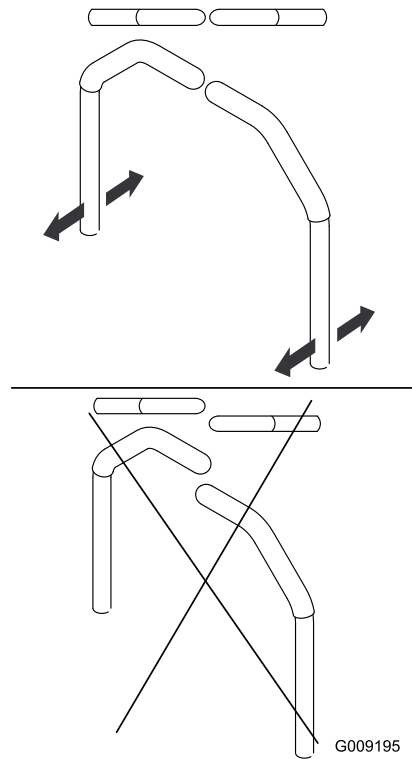


Figure 60

4. Tighten the bolts and flange nuts to secure the handles to the levers.

Adjusting the Control-Handle Linkage

Turning the double nuts on the control-handle linkage allows you to fine-tune the adjustment so that the machine does not move in neutral. Make adjustments for neutral positioning only.

⚠ WARNING

To adjust the control-handle linkage, the engine must be running and the drive wheels must be able to turn. Contact with moving parts or hot surfaces may cause personal injury.

Keep hands, feet, other body parts, and clothing away from rotating parts and hot surfaces.

1. Park the machine on a level surface, lower the attachment, move the control handles to the neutral-locked position, engage the parking brake, shut off the engine, and remove the key.
2. Raise all 3 wheels of the machine up off the floor, and support the machine with jack stands just high enough to allow the drive wheels to turn freely; refer to [Lifting the Machine](#) (page 32).

⚠ WARNING

Mechanical or hydraulic jacks may fail to support the machine and cause serious injury.

Use jack stands when supporting the machine.

3. Press down on the seat, or place a weight on the seat, to press the interlock switch down.
4. Start the engine and move the throttle lever to the Fast position.
5. Remove the pressure (or weight) from the seat.
6. Disengage the parking brake.
7. On 1 side of the machine, slowly turn the double nuts on the linkage (Figure 61) until the wheel on that side starts to rotate, then turn the double nuts in the opposite direction until the wheel rotates in the other direction.

Note: The control handles need to be in the neutral position while making any necessary adjustments.

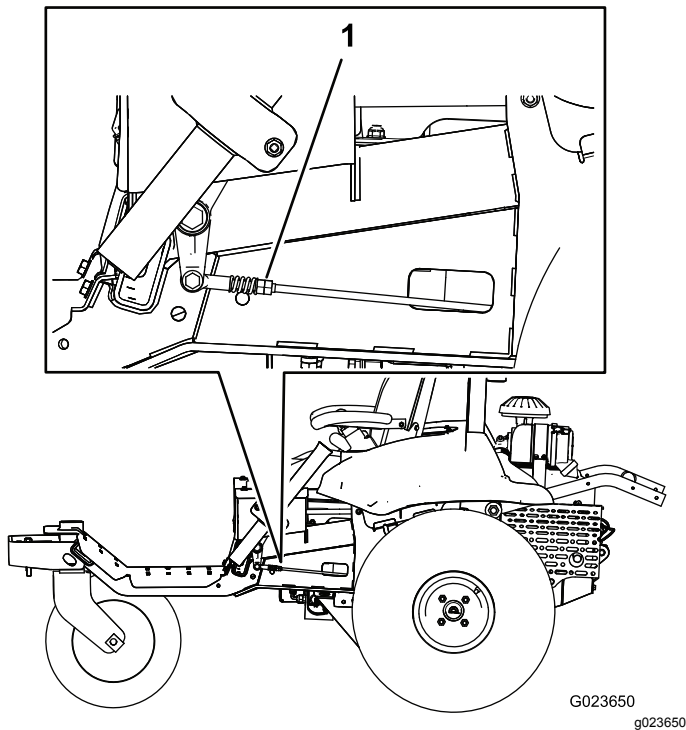


Figure 61

1. Double nuts

8. Turn the double nuts back the other way until they are at the **midpoint** between the 2 positions.
9. Repeat steps 7 and 8 for the other side.
10. Shut off the engine.

11. Remove the jack stands, and carefully lower the machine to the ground.
12. Start the engine again, and ensure that the machine does not creep in neutral with the parking brake disengaged.

Adjusting the Control-Handle Dampers

You can adjust the top damper-mounting bolt to change the control-handle resistance.

1. Park the machine on a level surface, lower the attachment, move the control handles to the neutral-locked position, engage the parking brake, shut off the engine, and remove the key.
2. To access the damper-mounting bolts, remove the bolts that secure the stop plates to the frame (Figure 62).

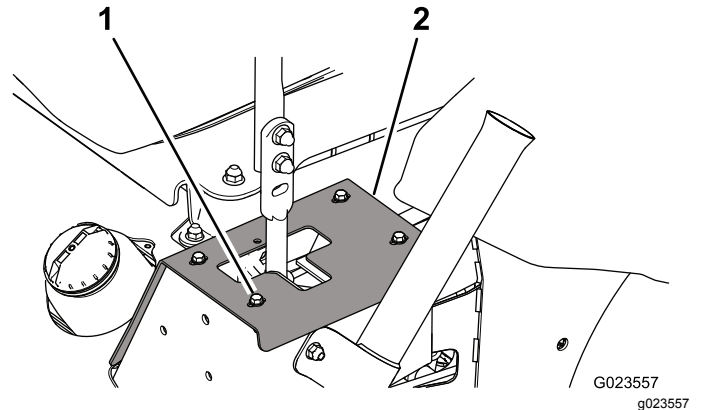


Figure 62
Left side shown

1. Bolt (4)
2. Stop plate

3. Remove the locknut, move the damper-mounting bolt to the desired position, and install the locknut. Refer to Figure 63 for the mounting options.

Note: Torque the locknut to 22.6 N·m (16.7 ft-lb). The bolt must protrude past the end of the locknut when it is tight.

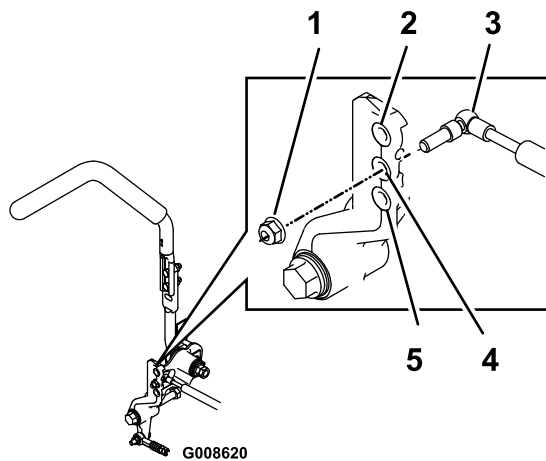


Figure 63
Right side shown

1. Locknut
2. Most resistance (firmest feel)
3. Damper
4. Medium resistance (medium feel)
5. Least resistance (softest feel)

4. Adjust the tracking; refer to [Adjusting the Tracking \(page 42\)](#).

Adjusting the Neutral-Lock Resistance

If you prefer a different amount of side-to-side resistance in the control handles when you move them into and out of the neutral-locked position, you can adjust it as follows:

1. Park the machine on a level surface, lower the attachment, move the control handles to the neutral-locked position, engage the parking brake, shut off the engine, and remove the key.
2. Loosen the jam nut ([Figure 64](#)).

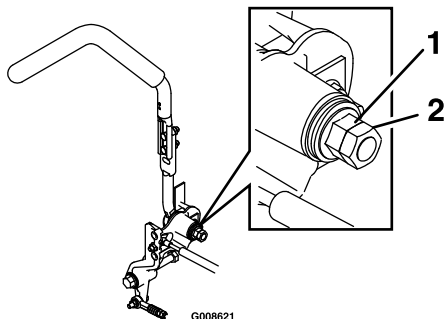


Figure 64

1. Flanged nut
2. Jam nut

3. Tighten or loosen the flanged nut to the desired feel.

- For more resistance, tighten the flanged nut.
 - For less resistance, loosen the flanged nut.
4. Tighten the jam nut.
 5. Repeat this procedure for the other control handle.

Adjusting the Engine Controls

Adjusting the Throttle Control

Proper throttle operation depends upon proper adjustment of the throttle control. Before adjusting the carburetor, ensure that the throttle control is operating properly.

1. Park the machine on a level surface, lower the attachment, move the control handles to the neutral-locked position, engage the parking brake, shut off the engine, and remove the key.
2. Loosen the clamp screw securing the throttle-cable housing to the engine ([Figure 65](#)).

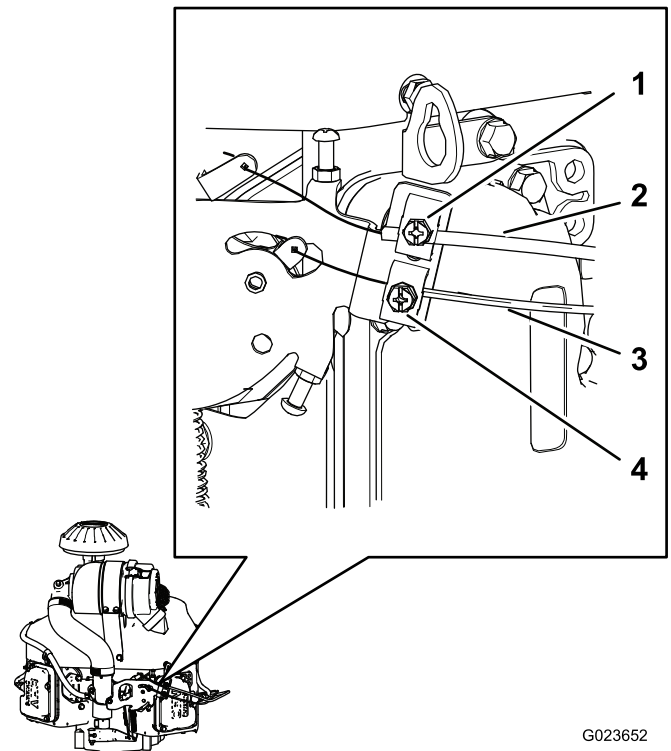


Figure 65

1. Clamp screw (choke-cable housing)
2. Choke-cable housing
3. Throttle-cable housing
4. Clamp screw (throttle-cable housing)

3. Move the throttle control forward to the Fast position.

4. Pull up the cable housing of the throttle cable (Figure 65) until the throttle cable has almost no slack, and tighten the clamp screw.
5. Tighten the clamp screw and check the engine speed:
 - High idle: 2750 to 2950 rpm
 - Low idle: 1450 to 1650 rpm

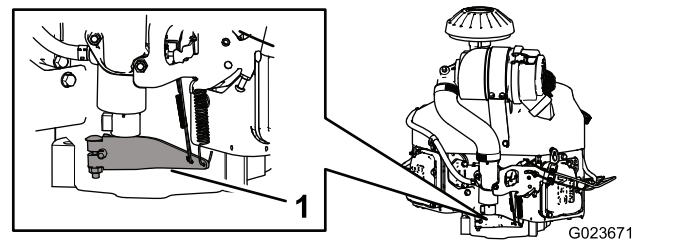


Figure 66

1. Governor arm

Adjusting the Choke Control

1. Park the machine on a level surface, lower the attachment, move the control handles to the neutral-locked position, engage the parking brake, shut off the engine, and remove the key.
2. Loosen the clamp screw securing the choke-cable housing to the engine (Figure 65).
3. Push the choke control down to the OPEN position; refer to Choke Control (page 14).
4. Ensure that the choke valve on the carburetor is fully opened.
5. Pull up the cable housing of the choke cable (Figure 65) until the choke cable has almost no slack, and tighten the clamp screw.
6. Ensure that the choke valve moves to the fully closed position when you pull the choke control outward and to the fully opened position when you push the choke control downward.

4. Adjust the stop screw on the carburetor (Figure 67) so that the idle speed is 1350 to 1550 rpm.

Note: Check the speed with a tachometer.

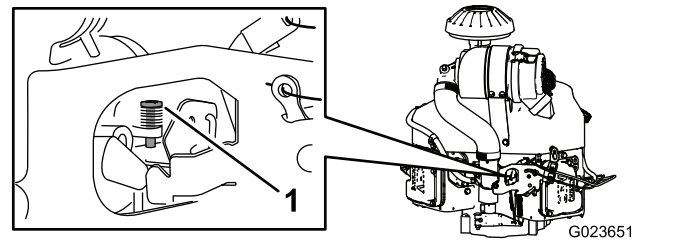


Figure 67

1. Stop screw

Adjusting the Engine Governor Speed Control

⚠ WARNING

The engine must be running during adjustment of the engine governor speed control. Contact with moving parts or hot surfaces may cause personal injury.

- Ensure that the control handles are in the neutral-locked position, and engage the parking brake before performing this procedure.
- Keep hands, feet, clothing, and other body parts away from any rotating parts, the muffler, and other hot surfaces.

Adjust the low-idle speed as follows:

1. Start the engine and let it run at half throttle for approximately 5 minutes to warm up.
2. Move the throttle control to the SLOW setting.
3. Push the spring end of the governor arm downward (Figure 66).

5. Allow the governor arm to return to the original position.
6. Loosen the jam nut on the low-idle speed setscrew.
7. Adjust the low-idle speed setscrew so that the idle speed is 1450 to 1650 rpm.
8. Tighten the jam nut.

Adjust the high-idle speed as follows:

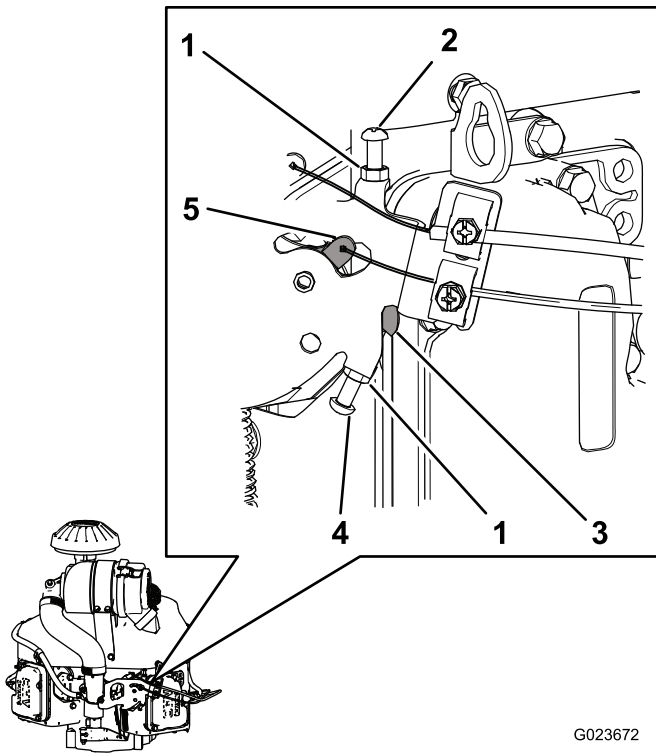
Important: Do not adjust the high-idle speed with the air cleaner removed.

1. Start the engine and allow it to warm up thoroughly.
2. Loosen the jam nut on the high-idle speed setscrew a few turns.
3. Move the throttle control so that the idle speed is 2750 to 2950 rpm.
4. Tighten the high-idle speed setscrew so that it just touches the tab on the speed-control lever.

Hydraulic System Maintenance

Hydraulic System Safety

- Ensure that all hydraulic-fluid hoses and lines are in good condition and all hydraulic connections and fittings are tight before applying pressure to the hydraulic system.
- Keep your body and hands away from pinhole leaks or nozzles that eject high-pressure hydraulic fluid.
- Use cardboard or paper to find hydraulic leaks.
- Safely relieve all pressure in the hydraulic system before performing any work on the hydraulic system.
- Seek immediate medical attention if fluid is injected into skin. Injected fluid must be surgically removed within a few hours by a doctor.



G023672
g023672

Figure 68

1. Jam nut
 2. Low-idle speed setscrew
 3. Tab (on the speed-control lever)
 4. High-idle speed setscrew
 5. Speed-control lever
-
5. Tighten the jam nut.

Checking the Hydraulic System

Whenever you repair or replace a hydraulic component, you should replace the hydraulic-fluid filters and check the hydraulic system to ensure that it works properly.

Important: Make sure that the hydraulic reservoirs and the manifold filter are filled with fluid at all times when checking the hydraulic system.

1. Park the machine on a level surface, lower the attachment, move the control handles to the neutral-locked position, engage the parking brake, shut off the engine, and remove the key.
2. Raise all 3 wheels of the machine up off the floor, and support the machine with jack stands just high enough to allow the drive wheels to turn freely; refer to [Lifting the Machine \(page 32\)](#).

⚠ WARNING

Mechanical or hydraulic jacks may fail to support the machine and cause serious injury.

Use jack stands when supporting the machine.

3. Start the engine and set the throttle to allow the engine to run at low idle.

4. Move the control handles to the full-forward position, and watch for the drive wheels to turn smoothly.
5. Move the control handles to the full-reverse position, and watch for the drive wheels to turn smoothly.
6. Press the attachment switch until the lift-cylinder rod moves in and out several times.

If the cylinder rod does not move after 10 to 15 seconds, or if the pump makes abnormal sounds, shut off the engine immediately and determine the cause or problem.

Inspect for the following conditions, and make the necessary repairs or see your authorized Toro distributor:

- The belt is removed or severely worn.
- The fluid level is inadequate.
- A hydraulic filter is loose.
- The charge pump is worn.
- The charge relief filter is worn.
- There is an issue with the switch or the wiring.
- The solenoid valve is plugged.

Changing the Hydraulic Fluid and Filters

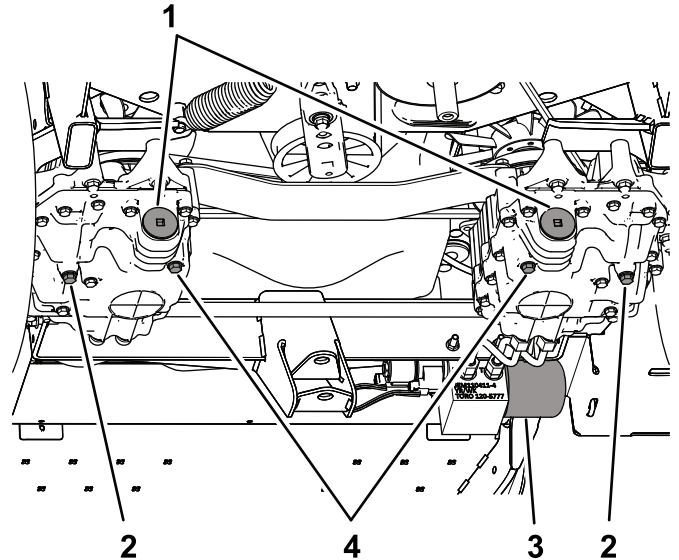
Service Interval: After the first 8 hours
Every 400 hours

Capacity:

- Left side—1.9 L (2.0 US qt)
- Right side—2.0 L (2.1 US qt)

Fluid Type: Toro Premium Transmission/Hydraulic Tractor Fluid or Mobilfluid® 424

1. Park the machine on a level surface, lower the attachment, move the control handles to the neutral-locked position, engage the parking brake, shut off the engine, and remove the key.
2. Place a drain pan under the left hydrostatic transmission.
3. Remove the drain plug on the pump side and the drain plug on the gear side (Figure 69), and allow the oil to drain completely.

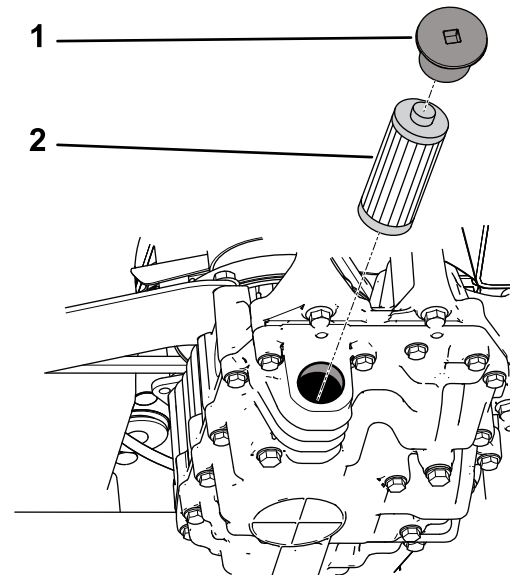


G023456
g023456

Figure 69

- | | |
|-------------------------|-------------------------|
| 1. Filter caps | 3. Manifold filter |
| 2. Drain plug—gear side | 4. Drain plug—pump side |

4. Remove the filter cap, and pull the filter out of the transmission (Figure 70).



G023549
g023549

Figure 70

- | | |
|--------|-----------|
| 1. Cap | 2. Filter |
|--------|-----------|

5. Install a new filter, and install the filter cap.
6. Repeat steps 2 through 5 for the right hydrostatic transmission.
7. Clean the area around the manifold filter, which is located on the right side of the machine.
8. Place a drain pan under the manifold filter (Figure 71).

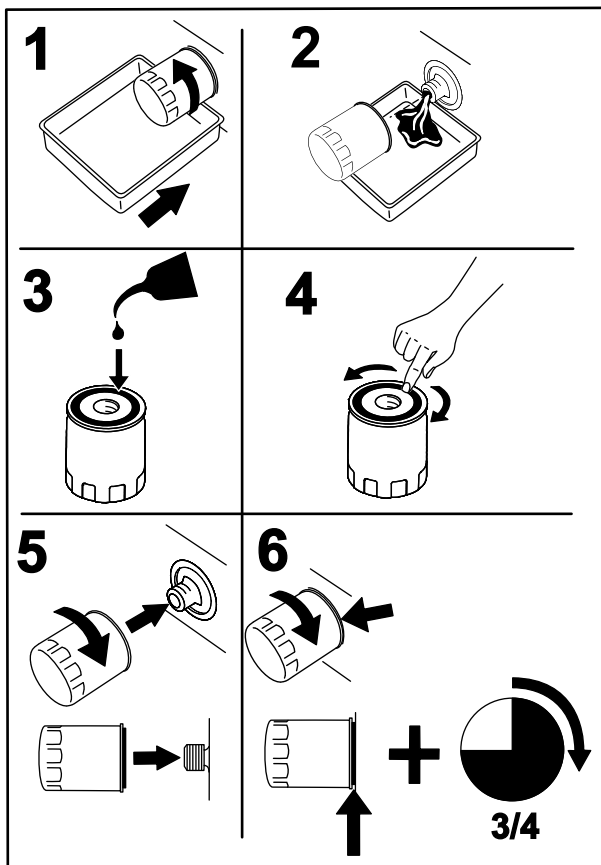


Figure 71

G008748
g008748

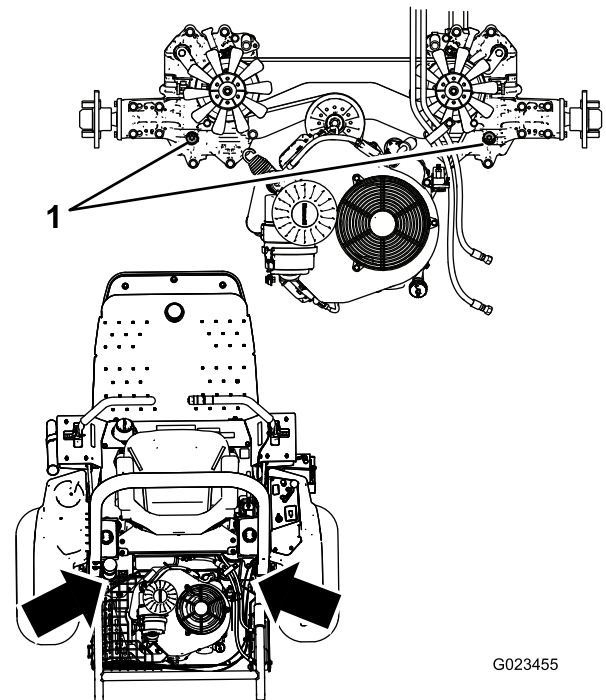


Figure 72

G023455

g023455

1. Top plugs

9. Slowly loosen the manifold filter until fluid flows past the gasket and drips out.
10. Remove the filter when the fluid flow slows.
11. Lubricate the sealing gasket on the replacement filter with clean hydraulic fluid, and install it by hand until the gasket contacts the mounting surface.
12. Tighten the filter 3/4 turn further.
13. Fill each of the hydraulic reservoirs with fresh hydraulic fluid until the level is at the bottom of the sight windows in the reservoir brackets.

Important: Do not overfill the hydraulic system. Refer to [Checking the Level of the Hydraulic Fluid \(page 19\)](#).

Note: To allow the fluid to flow into the system more quickly, you can remove the plug ([Figure 72](#)) on top of each hydrostatic transmission. When fluid starts to come out of the hole, install the plug and continue filling the reservoir until the fluid is at the correct level.

Important: Ensure that the plugs are in place and secure before starting the engine.

14. Start and run the engine. Operate the lift cylinder until it extends and retracts.
15. Check to ensure that the machine can drive forward and backward.
16. Shut off the engine and check the fluid level in reservoir, add fluid if necessary.
17. Check the connections for leaks, and ensure that the hydraulic system works properly; refer to [Checking the Hydraulic System \(page 48\)](#).
18. Dispose of the used fluid properly.

Checking the Hydraulic Lines and Hoses

Service Interval: Before each use or daily

Check the hydraulic lines and hoses daily for leaks, kinked lines, loose mounting supports, wear, loose fittings, weather deterioration, and chemical deterioration. Make all necessary repairs before operating.

Cleaning

Inspecting and Cleaning the Machine

Service Interval: Before each use or daily

1. At the completion of operation, park the machine on a level surface, lower the attachment, move the control handles to the neutral-locked position, engage the parking brake, shut off the engine, and remove the key.
2. Thoroughly wash the machine with a garden hose—without a nozzle—so that excessive water pressure does not cause contamination and damage to the seals and bearings.
3. Make sure that the cooling fins and the area around the engine-cooling air intake are free of debris. After cleaning, inspect the machine for possible hydraulic-fluid leaks, damage, or wear to hydraulic and mechanical components.

Storage

Storing the Machine

1. Park the machine on a level surface, move the control handles to the neutral-locked position, engage the parking brake, shut off the engine, and remove the key.
2. Thoroughly clean the machine, the attachments, and the engine.
3. Check the tire pressure. Inflate the tires to 48 kPa (7 psi).
4. Check all fasteners for looseness; tighten as necessary.
5. Grease or oil all grease fittings and pivot points. Wipe off any excess lubricant.
6. Lightly sand and use touch-up paint on painted areas that are scratched, chipped, or rusted.
7. Change the engine oil and filter; refer to [Servicing the Engine Oil and Filter \(page 34\)](#).
8. Condition the fuel system as follows:
 - A. Add a petroleum-based stabilizer/conditioner to fuel in the tank. Follow the mixing instructions from the stabilizer manufacturer. **Do not** use an alcohol-based stabilizer (ethanol or methanol).

Toro fuel stabilizer is available from your Authorized Toro Distributor.

Important: Do not store stabilizer/conditioned fuel over 90 days.

Note: Fuel stabilizer/conditioner is most effective when mixed with fresh fuel and used at all times.
 - B. Run the engine for 5 minutes to distribute the conditioned fuel through the fuel system.
 - C. Shut off the engine, allow it to cool, and drain the fuel tank using a pump-type siphon. Dispose of fuel properly; recycle it according to local codes.
 - D. Start the engine and run it until it shuts off.
 - E. Choke the engine.
 - F. Start and run the engine until it does not start again.
9. Thoroughly clean and service the air-cleaner assembly. Refer to [Servicing the Air Cleaner \(page 36\)](#).
10. Seal the air cleaner inlet and the exhaust outlet with weatherproof masking tape.

11. Check the dipstick and fuel-tank cap to ensure that they are securely in place.
12. Service the battery and cables as follows:
 - A. Remove the battery terminals from the battery posts.
 - B. Clean the battery, terminals and posts with a wire brush and baking soda solution.
 - C. Coat the cable terminals and battery posts with Grafo 112X skin-over grease (Toro Part No. 505-47), or petroleum jelly to prevent corrosion.
 - D. Slowly charge the battery for 24 hours every 60 days to prevent lead sulfation of the battery.

Note: The specific gravity of a fully charged battery is 1.250.

Note: Store the battery in a cool environment to avoid quick deterioration of the charge in the battery. To prevent the battery from freezing, make sure that it is fully charged.

Troubleshooting

Problem	Possible Cause	Corrective Action
The starter does not crank.	<ol style="list-style-type: none"> 1. The parking brake is not engaged. 2. The control handles are not in the neutral-locked position. 3. The operator is not seated. 4. The battery is discharged. 5. There are corroded or loose electrical connections. 6. A fuse is blown. 7. A relay or switch is worn. 	<ol style="list-style-type: none"> 1. Engage the parking brake. 2. Move the control handles to the neutral-locked position. 3. Sit on the seat. 4. Charge the battery. 5. Check the electrical connections for good contact. 6. Replace the blown fuse. 7. Contact a Toro authorized service dealer.
The engine does not start, starts hard, or fails to keep running	<ol style="list-style-type: none"> 1. The fuel tank is empty. 2. The oil level in the crankcase is low. 3. The throttle is not in the correct position. 4. There is dirt in fuel filter. 5. Dirt, water, or stale fuel is in the fuel system. 6. The air cleaner is dirty. 7. The seat switch is not functioning properly. 8. There are corroded or loose electrical connections. 9. A relay or switch is worn. 10. The spark plugs are worn. 11. A spark-plug wire is not connected. 	<ol style="list-style-type: none"> 1. Fill the fuel tank with fresh fuel. 2. Add oil to the crankcase. 3. Ensure that the throttle control is midway between the SLOW and FAST positions. 4. Replace the fuel filter. 5. Contact a Toro authorized service dealer. 6. Clean or replace the air-cleaner element. 7. Check the seat-switch indicator. Replace the seat switch if needed. 8. Check the electrical connections for good contact. Clean the connector terminals thoroughly with electrical-contact cleaner, apply dielectric grease, and connect the terminals again. 9. Contact an Authorized Service Dealer. 10. Adjust or replace the spark plugs. 11. Connect the spark-plug wires.
The engine loses power.	<ol style="list-style-type: none"> 1. The engine load is excessive. 2. The air cleaner is dirty. 3. The oil level in the crankcase is low. 4. Cooling fins and air passages above the engine are plugged. 5. There is dirt in the fuel filter. 6. Dirt, water, or stale fuel is in the fuel system. 	<ol style="list-style-type: none"> 1. Reduce the ground speed. 2. Clean the air-cleaner element. 3. Add oil to the crankcase. 4. Remove the obstruction from the cooling fins and air passages. 5. Replace the fuel filter. 6. Contact a Toro authorized service dealer.
The engine overheats.	<ol style="list-style-type: none"> 1. The engine load is excessive. 2. The oil level in the crankcase is low. 3. The cooling fins and air passages above the engine are plugged. 	<ol style="list-style-type: none"> 1. Reduce the ground speed. 2. Add oil to the crankcase. 3. Remove the obstruction from the cooling fins and air passages.
The machine pulls to the left or the right (with the control handles fully forward).	<ol style="list-style-type: none"> 1. The tracking needs adjustment. 2. The tire pressure in the drive tires is not correct. 	<ol style="list-style-type: none"> 1. Adjust the tracking. 2. Adjust the tire pressure in the drive tires.

Problem	Possible Cause	Corrective Action
The machine does not drive.	<ol style="list-style-type: none"> 1. One or both of the bypass valves is not closed tight. 2. The drive belt is worn, loose, or broken. 3. The drive belt is off a pulley. 4. The tensioner spring is broken or missing. 5. The hydraulic-fluid level is low. 6. The hydraulic fluid is too hot. 	<ol style="list-style-type: none"> 1. Tighten the bypass valves. 2. Change the belt. 3. Change the belt. 4. Replace the spring. 5. Add hydraulic fluid to the reservoirs. 6. Allow the hydraulic fluid to cool down.
The machine vibrates abnormally.	<ol style="list-style-type: none"> 1. One or several engine mounting bolts are loose. 2. The engine pulley or tensioner pulley is loose. 3. The engine pulley is damaged. 	<ol style="list-style-type: none"> 1. Tighten the engine mounting bolts. 2. Tighten the appropriate pulley. 3. Contact a Toro authorized service dealer.

European Privacy Notice

The Information Toro Collects

Toro Warranty Company (Toro) respects your privacy. In order to process your warranty claim and contact you in the event of a product recall, we ask you to share certain personal information with us, either directly or through your local Toro company or dealer.

The Toro warranty system is hosted on servers located within the United States where privacy law may not provide the same protection as applies in your country.

BY SHARING YOUR PERSONAL INFORMATION WITH US, YOU ARE CONSENTING TO THE PROCESSING OF YOUR PERSONAL INFORMATION AS DESCRIBED IN THIS PRIVACY NOTICE.

The Way Toro Uses Information

Toro may use your personal information to process warranty claims, to contact you in the event of a product recall and for any other purpose which we tell you about. Toro may share your information with Toro's affiliates, dealers or other business partners in connection with any of these activities. We will not sell your personal information to any other company. We reserve the right to disclose personal information in order to comply with applicable laws and with requests by the appropriate authorities, to operate our systems properly or for our own protection or that of other users.

Retention of your Personal Information

We will keep your personal information as long as we need it for the purposes for which it was originally collected or for other legitimate purposes (such as regulatory compliance), or as required by applicable law.

Toro's Commitment to Security of Your Personal Information

We take reasonable precautions in order to protect the security of your personal information. We also take steps to maintain the accuracy and current status of personal information.

Access and Correction of your Personal Information

If you would like to review or correct your personal information, please contact us by email at legal@toro.com.

Australian Consumer Law

Australian customers will find details relating to the Australian Consumer Law either inside the box or at your local Toro Dealer.



The Toro Warranty

A Two-Year Limited Warranty

Conditions and Products Covered

The Toro Company and its affiliate, Toro Warranty Company, pursuant to an agreement between them, jointly warrant your Toro Commercial product ("Product") to be free from defects in materials or workmanship for two years or 1500 operational hours*, whichever occurs first. This warranty is applicable to all products with the exception of Aerators (refer to separate warranty statements for these products). Where a warrantable condition exists, we will repair the Product at no cost to you including diagnostics, labor, parts, and transportation. This warranty begins on the date the Product is delivered to the original retail purchaser.

* Product equipped with an hour meter.

Instructions for Obtaining Warranty Service

You are responsible for notifying the Commercial Products Distributor or Authorized Commercial Products Dealer from whom you purchased the Product as soon as you believe a warrantable condition exists. If you need help locating a Commercial Products Distributor or Authorized Dealer, or if you have questions regarding your warranty rights or responsibilities, you may contact us at:

Toro Commercial Products Service Department
Toro Warranty Company
8111 Lyndale Avenue South
Bloomington, MN 55420-1196
952-888-8801 or 800-952-2740
E-mail: commercial.warranty@toro.com

Owner Responsibilities

As the Product owner, you are responsible for required maintenance and adjustments stated in your *Operator's Manual*. Failure to perform required maintenance and adjustments can be grounds for disallowing a warranty claim.

Items and Conditions Not Covered

Not all product failures or malfunctions that occur during the warranty period are defects in materials or workmanship. This warranty does not cover the following:

- Product failures which result from the use of non-Toro replacement parts, or from installation and use of add-on, or modified non-Toro branded accessories and products. A separate warranty may be provided by the manufacturer of these items.
- Product failures which result from failure to perform recommended maintenance and/or adjustments. Failure to properly maintain your Toro product per the Recommended Maintenance listed in the *Operator's Manual* can result in claims for warranty being denied.
- Product failures which result from operating the Product in an abusive, negligent, or reckless manner.
- Parts subject to consumption through use unless found to be defective. Examples of parts which are consumed, or used up, during normal Product operation include, but are not limited to, brake pads and linings, clutch linings, blades, reels, rollers and bearings (sealed or greasable), bed knives, spark plugs, castor wheels and bearings, tires, filters, belts, and certain sprayer components such as diaphragms, nozzles, and check valves, etc.
- Failures caused by outside influence. Conditions considered to be outside influence include, but are not limited to, weather, storage practices, contamination, use of unapproved fuels, coolants, lubricants, additives, fertilizers, water, or chemicals, etc.
- Failure or performance issues due to the use of fuels (e.g. gasoline, diesel, or biodiesel) that do not conform to their respective industry standards.

Countries Other than the United States or Canada

Customers who have purchased Toro products exported from the United States or Canada should contact their Toro Distributor (Dealer) to obtain guarantee policies for your country, province, or state. If for any reason you are dissatisfied with your Distributor's service or have difficulty obtaining guarantee information, contact the Toro importer.

- Normal noise, vibration, wear and tear, and deterioration.
- Normal "wear and tear" includes, but is not limited to, damage to seats due to wear or abrasion, worn painted surfaces, scratched decals or windows, etc.

Parts

Parts scheduled for replacement as required maintenance are warranted for the period of time up to the scheduled replacement time for that part. Parts replaced under this warranty are covered for the duration of the original product warranty and become the property of Toro. Toro will make the final decision whether to repair any existing part or assembly or replace it. Toro may use remanufactured parts for warranty repairs.

Deep Cycle and Lithium-Ion Battery Warranty:

Deep cycle and Lithium-Ion batteries have a specified total number of kilowatt-hours they can deliver during their lifetime. Operating, recharging, and maintenance techniques can extend or reduce total battery life. As the batteries in this product are consumed, the amount of useful work between charging intervals will slowly decrease until the battery is completely worn out. Replacement of worn out batteries, due to normal consumption, is the responsibility of the product owner. Battery replacement may be required during the normal product warranty period at owner's expense. Note: (Lithium-Ion battery only): A Lithium-Ion battery has a part only prorated warranty beginning year 3 through year 5 based on the time in service and kilowatt hours used. Refer to the *Operator's Manual* for additional information.

Maintenance is at Owner's Expense

Engine tune-up, lubrication, cleaning and polishing, replacement of filters, coolant, and completing recommended maintenance are some of the normal services Toro products require that are at the owner's expense.

General Conditions

Repair by an Authorized Toro Distributor or Dealer is your sole remedy under this warranty.

Neither The Toro Company nor Toro Warranty Company is liable for indirect, incidental or consequential damages in connection with the use of the Toro Products covered by this warranty, including any cost or expense of providing substitute equipment or service during reasonable periods of malfunction or non-use pending completion of repairs under this warranty. Except for the Emissions warranty referenced below, if applicable, there is no other express warranty. All implied warranties of merchantability and fitness for use are limited to the duration of this express warranty.

Some states do not allow exclusions of incidental or consequential damages, or limitations on how long an implied warranty lasts, so the above exclusions and limitations may not apply to you. This warranty gives you specific legal rights, and you may also have other rights which vary from state to state.

Note regarding engine warranty:

The Emissions Control System on your Product may be covered by a separate warranty meeting requirements established by the U.S. Environmental Protection Agency (EPA) and/or the California Air Resources Board (CARB). The hour limitations set forth above do not apply to the Emissions Control System Warranty. Refer to the Engine Emission Control Warranty Statement supplied with your product or contained in the engine manufacturer's documentation for details.