



Count on it.

Parts Catalog

**Full Weather Cab
T4240 4WD 5-PLEX TRACTION UNIT**

Model No. 02880 - Serial No. 401410001 and Up

Ordering Replacement Parts

To order replacement parts, please supply the part number, the quantity, and the description of each part desired.

Understanding Reference Numbers

Each identified part in an illustration has a reference number. The reference number for a part also appears in the parts list, along with other information about the part.

This catalog uses two special reference number formats, one to indicate parts in a service assembly and another to indicate the quantity of a given part in an illustration.

Service Assembly Reference Numbers

Parts in service assemblies have reference numbers in the form a:b. The a represents the reference number of the entire service assembly and the b represents a sequential number unique to each part within the service assembly.

For example, a wheel assembly might be identified by reference number 6, the tire by 6:1, the valve by 6:2, and the wheel by 6:3. When you order the assembly identified by reference number 6, you receive all parts identified by reference numbers 6:1, 6:2, and 6:3. However, you may also order any part individually. Reference numbers of this type appear in illustration and in parts lists.

Reference Numbers Indicating Quantity

In an illustration, if a reference number indicates more than one part, the reference number has the form nX y. The n represents the quantity of the part, the X is the multiplication symbol, and the y represents the reference number.

For example, in an illustration, the reference number 2X 37 means that two of the parts identified by reference number 37 are indicated.

List of Abbreviations

AR: as required

ASM: assembly

BBC: blade brake control

BHTF: button head thread forming

CARR: carriage

CCW: counter clockwise

CW: clockwise

DEG: degrees

DPA: Dual Point Adjustment

ECM: electronic control module

EXT: external

FH: flat head

GA: gauge

HD: heavy-duty

HF: hex flange

HH: hex head

HHF: hex head flange

HHFTF: hex head flange thread forming

HJ: hex jam

HLH: hex lag head

HOC: height-of-cut

HSBH: hex socket button head

HSFH: hex socket flat head

HSH: hex socket head

HWH: hex washer head

HWHTF: hex washer head thread forming

HYD: hydraulic

LH: left hand

LP: Liquid Propane

NI: nylon insert

NPTF: national pipe thread fine

PFH: phillips flat head

PPH: phillips pan head

PPHTF: phillips pan head thread forming

PRH: phillips round head

PTH: phillips truss head

PTO: power-take-off

RH: right hand

ROPS: roll-over protection system

RRB: rear roller brush

SFH: slotted fillister head

SHH: slotted hex head

SHWH: slotted hex washer head

SPH: slotted pan head

SQH: square head

SRH: slotted round head

STD: standard

TAP: self tapping

TTH: torx truss head

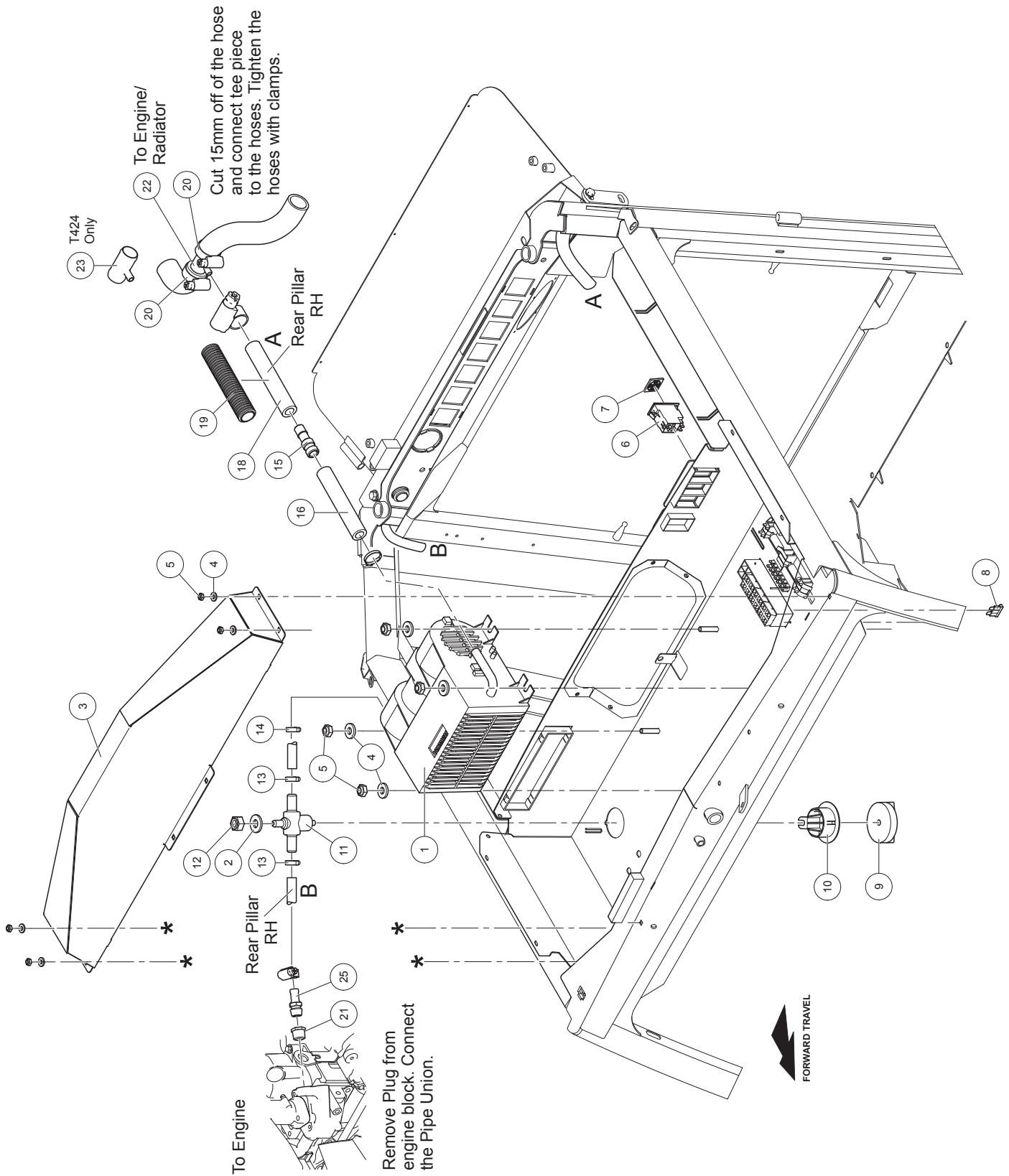
To order replacement parts, please supply the part number, the quantity, and the description of each part desired.

Use only genuine spare parts, others may be dangerous and will invalidate the machine warranty.

CONTENTS

Heater Blower Kit.....	4	-	5
Air Conditioning / Heater Blower Kit.....	6	-	7
Safety Cab - Cab Frame.....	8	-	9
Safety Cab - Rear Window.....	10	-	11
Safety Cab - Front Window.....	12	-	13
Safety Cab - Main Frame/Doors.....	14	-	15
Safety Cab - Side Windows.....	16	-	17
Safety Cab - Roof.....	18	-	19
Safety Cab - Roof Insert.....	20	-	21
Safety Cab - Front Mounting.....	22	-	23
Safety Cab - Rear Mounting.....	24	-	25
Safety Cab - Windscreen Washer.....	26	-	27
Beacon Assembly.....	28	-	29
Rear Deflector Assembly.....	30		31
Cab Noise Reduction Kit.....	32		32

Heater Blower Kit

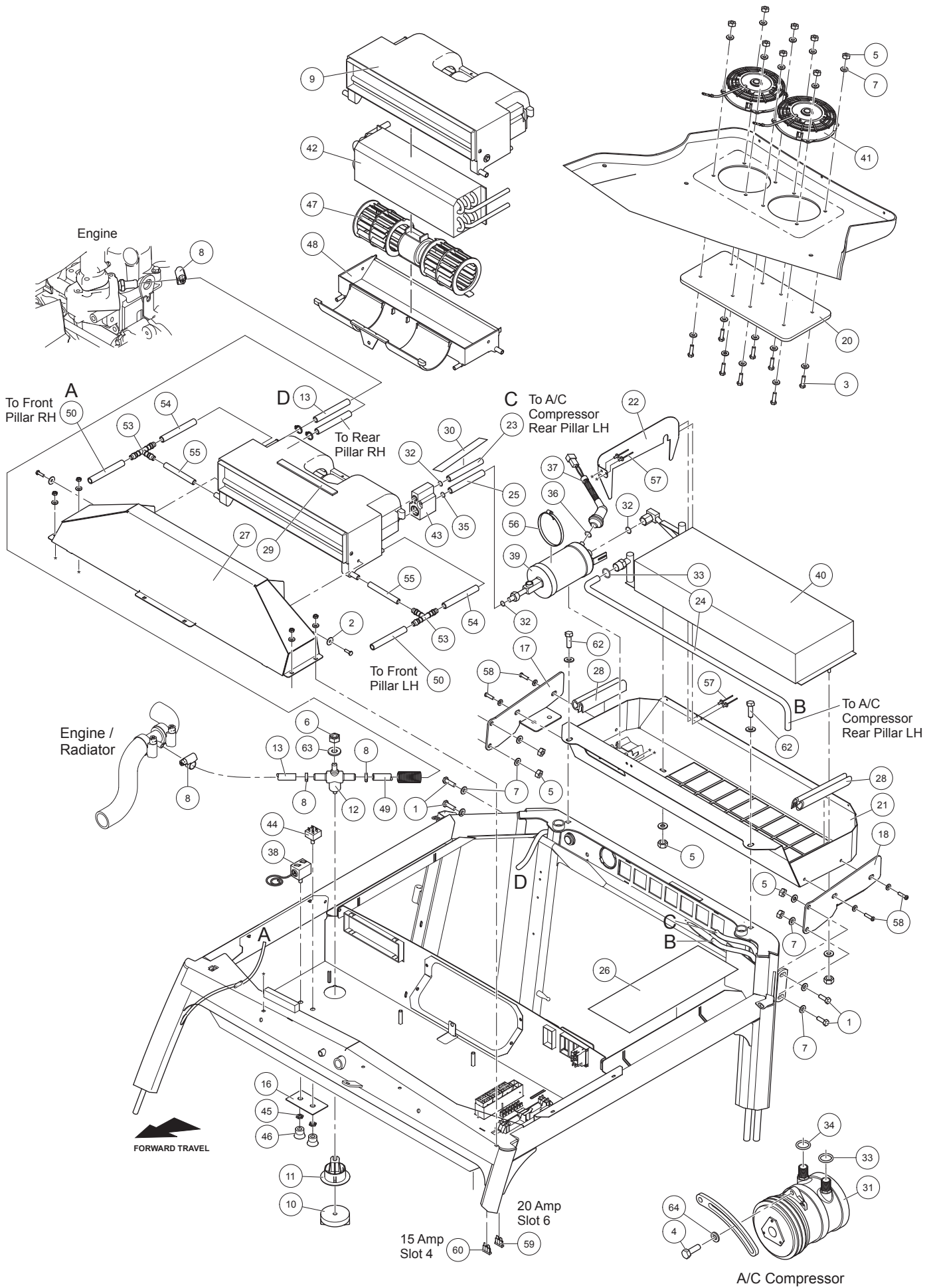


Heater Blower Kit

Ref.	Part Number	Qty.	Description	Ref.	Part Number	Qty.	Description
1	111-1556	1	Heater Matric	15	111-1563	1	Connector Hose
2	ZWP1H000U	1	Washer Plain	16	111-1564	1	Hose Hot water
3	111-1557	1	Air Duct Heater	17	111-1565	1	Cable wiring ●
4	09472	10	Washer Plain	18	111-1566	2	Hose Hot Water
5	09438	10	Nut Nyloc T Type	19	111-1567	1	Hoseguard
6	111-1558	1	Switch Heater	20	10-11-034	2	Hose C;lamp Hi Torque
7	111-1559	1	Lens Heater Switch	21	111-1568	1	Reducing Bush
8	70-09-025	1	Fuse 5 Amp	22	111-1569	1	Fitting Tee
9	111-1560	1	Handle Temp Control	23	111-1570	1	Fitting Tee
10	111-1561	1	Mount Temp Control Handle	24	HY3966	5	Tie Band ●
11	111-1562	1	Tap Heater Hose	25	111-1571	1	Pipe Union
12	09441	1	Nut	26	111-1459	1	Heater System ●
13	910845	4	Clip Jubilee Tube				
14	111-1582	4	Clip Hose				

● Not illustrated

Air Conditioning & Heater Blower Kit

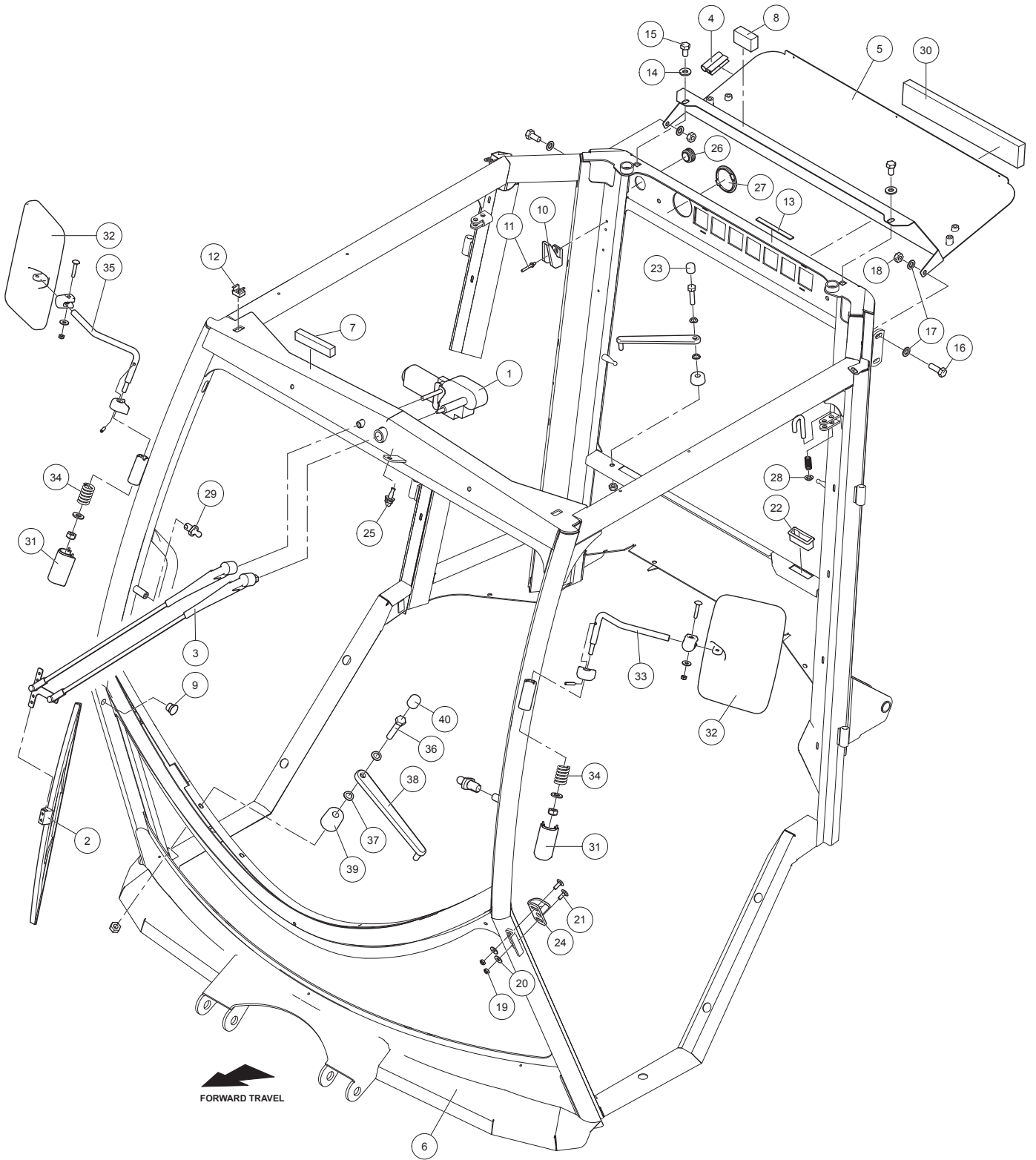


Air Conditioning & Heater Blower Kit

Ref.	Part Number	Qty.	Description	Ref.	Part Number	Qty.	Description
1	03162	4	Screw	35	111-1604	1	Seal O Ring
2	09263	3	Washer	36	111-1605	1	Seal O Ring
3	09363	10	Screw	37	111-1606	1	Switch Pressure
4	50-11-005	1	Setscrew Fine Pitch	38	111-1607	1	Temperature REgulator
5	09438	10	Nut Nyloc Insert Type	39	111-1608	1	Collection Tank Dryers
6	09441	1	Nut Nyloc Insert Type	40	111-1609	1	Condensor
7	09472	26	Washer Plain	41	111-1610	2	Axial Blower
8	111-1716	4	Hose Clamp	42	111-1611	1	Heat Exchanger
9	111-1460	1	Air Conditioning System	43	111-1612	1	Expansion Valve
10	111-1560	1	Handle Temp Control	44	111-1613	1	Fan Switch
11	111-1561	1	Mount Temp Control Handle	45	111-1614	2	Nut Fan Switch Fixing
12	111-1562	1	Tap Heater Handle	46	111-1615	2	Knob Fan Switch
13	111-1566	2	Hose Hot Water	47	111-1616	1	Blower Wheel
14	111-1583	1	Fuse Box Maxi Val ●	48	111-1617	1	Blower Lower Part
15	111-1584	1	Fuse Box Uni Val ●	49	111-1566	1	Hose Hot Water
16	111-1585	1	Base A./C Switch	50	111-1623	1	Water Drain Hose
17	111-1586	1	Bracket Mounting A/C R/H	51	111-1620	1	Hose ●
18	111-1587	1	Bracket Mounting A/C L/H	52	111-1621	1	Hose Guard ●
19	111-1588	1	Cable Wiring A/C ●	53	111-1622	2	T Fitting A/C Hose
20	111-1589	1	Plate Cover A/C Fan	54	111-1623	1	Water Drain Hose
21	111-1590	1	Bracket Condensor	55	111-1623	1	Water Drain Hose ●
22	111-1591	1	Plate A/C Separation	56	111-1625	1	Hose Clamp
23	111-1592	1	Hose Climatic 1	57	111-1627	4	Rivet
24	111-1593	1	Hose Climatic 2	58	111-1628	4	Screw
25	111-1594	1	Hose Climatic 3	59	111-1642	1	Fuse 20 Amp
26	111-1595	1	Cover A/C Hose	60	70-09-151	1	Fuse 15 Amp
27	111-1596	1	Air Duct Heater with A/C	61	HY3966	20	Tie Band ●
28	111-1597	1	Sealing Strip	62	ZDH1H020U	2	Screw
29	111-1598	1	Foam Strip	63	ZWP1H000U	1	Washer Plain
30	111-1599	1	Sealing Strip	64	ZWQ1J000U	1	Washer Plaoin Heavy
31	111-1600	1	Compressor 12V with Clutch				
32	111-1601	3	Seal O Ring				
33	111-1602	2	Seal O Ring				
34	111-1603	1	Seal O Ring				

● Not illustrated

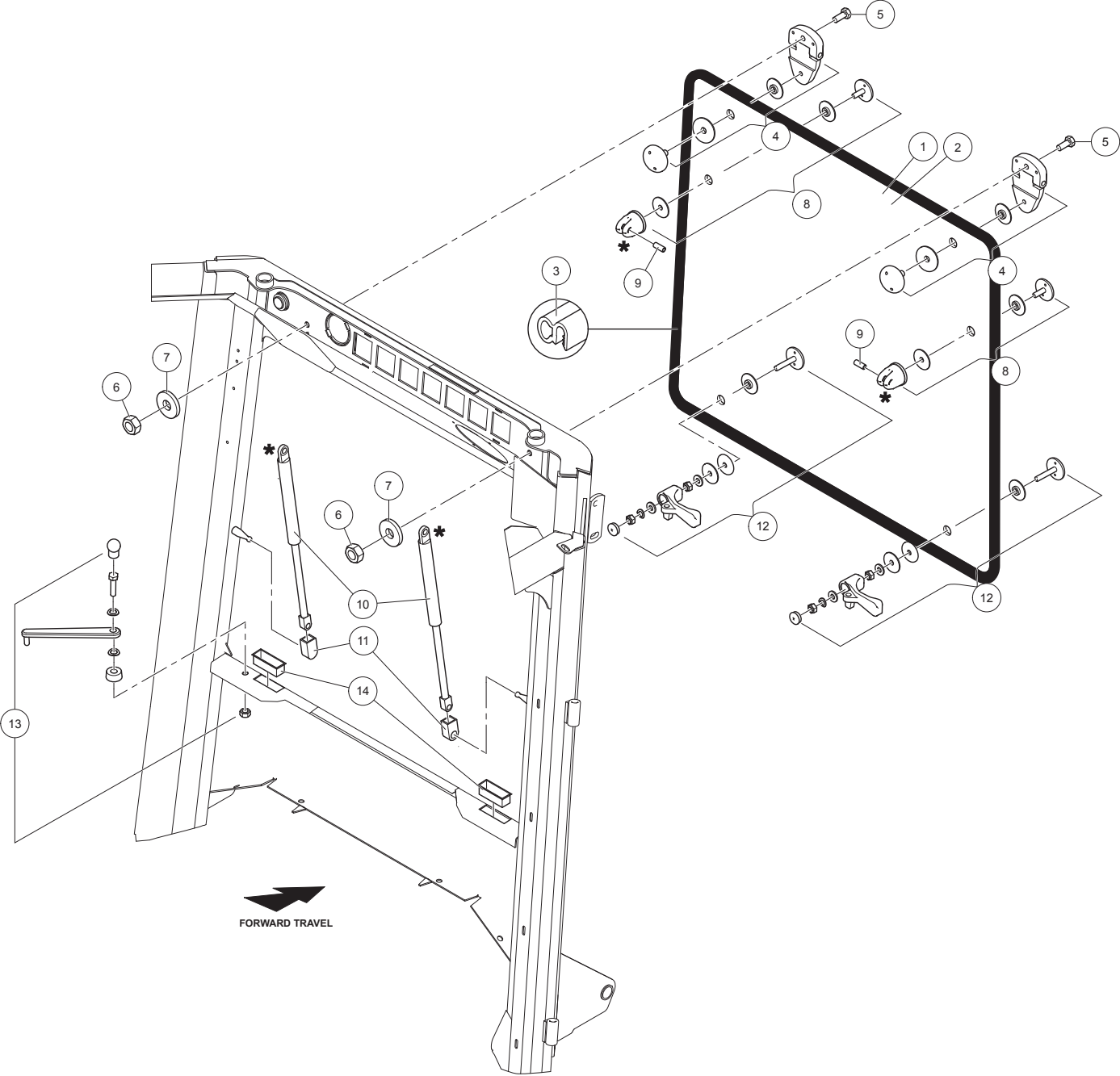
Safety Cab - Cab Frame



Safety Cab - Cab Frame

Ref.	Part Number	Qty.	Description	Ref.	Part Number	Qty.	Description
1	964165	1	Wiper Motor	22	111-1747	2	Insert
2	964166	1	Wiper Blade	23	111-1657	1	Holder
3	964167	1	Wiper Arm	24	111-1662	1	Locking Bolt
4	111-1683	1	Seal	25	111-1735	1	Nozzle
5	111-1670	1	Cover Rear	26	111-1678	1	Plug
6	111-1665	1	Frame	27	111-1701	1	Cover
7	111-1740	1	Seal	28	111-1658	2	Mounting (Gas Spring)
8	111-1684	1	Seal	29	964113	2	Ball & Socket Joint
9	111-1706	2	Plug	30	111-1661	1	Dust Filter
10	111-1705	1	Hook	31	111-1702	2	Cover
11	111-1695	1	Rivet	32	111-1679	2	Mirror
12	09441	6	Nut	33	111-1699	1	Mirror Support LH
13	111-1739	1	Foam Strip	34	111-1676	2	Pressure Spring
14	ZWP1H000U	2	Washer	35	111-1698	1	Mirror Support Rh
15	03162	2	Screw	36	ZDH1H045U	1	Screw
16	ZDH1H016U	4	Screw	37	111-1691	2	Washer
17	ZWP1H000U	4	Washer	38	111-1707	1	Holder
18	09441	2	Nut	39	111-1708	1	Shim
19	09438	2	Nut	40	111-1704	1	Terminal Nipple
20	09472	2	Washer				
21	09362	2	Screw				

Safety Cab - Rear Window

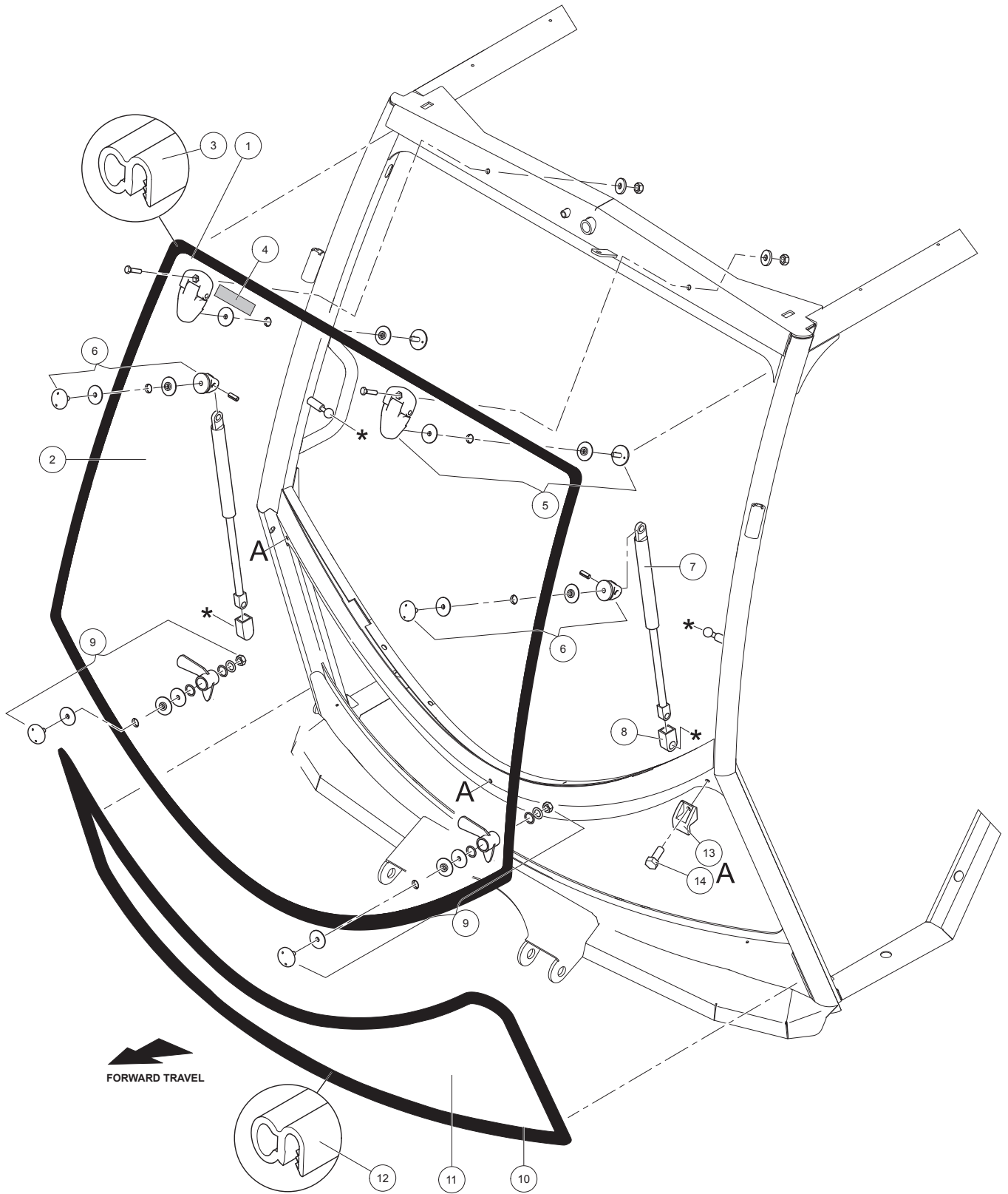


Safety Cab - Rear Window

Ref.	Part Number	Qty.	Description
1	111-1759	1	Glass Assembly (includes 2&3)
2	964220	1	Glass
3	111-1738	1	Gasket
4	964150	2	Hinge
5	03162	2	Screw
6	09441	2	Nut
7	ZWP1H000U	2	Washer
8	111-1756	2	Gas Strut Mounting

Ref.	Part Number	Qty.	Description
9	964227	2	Clamping Sleeve
10	964228	2	Gas Strut
11	964208	2	Bracket
12	964230	2	Buckle
13	964111	1	Holder
14	111-1747	2	Insert Piece

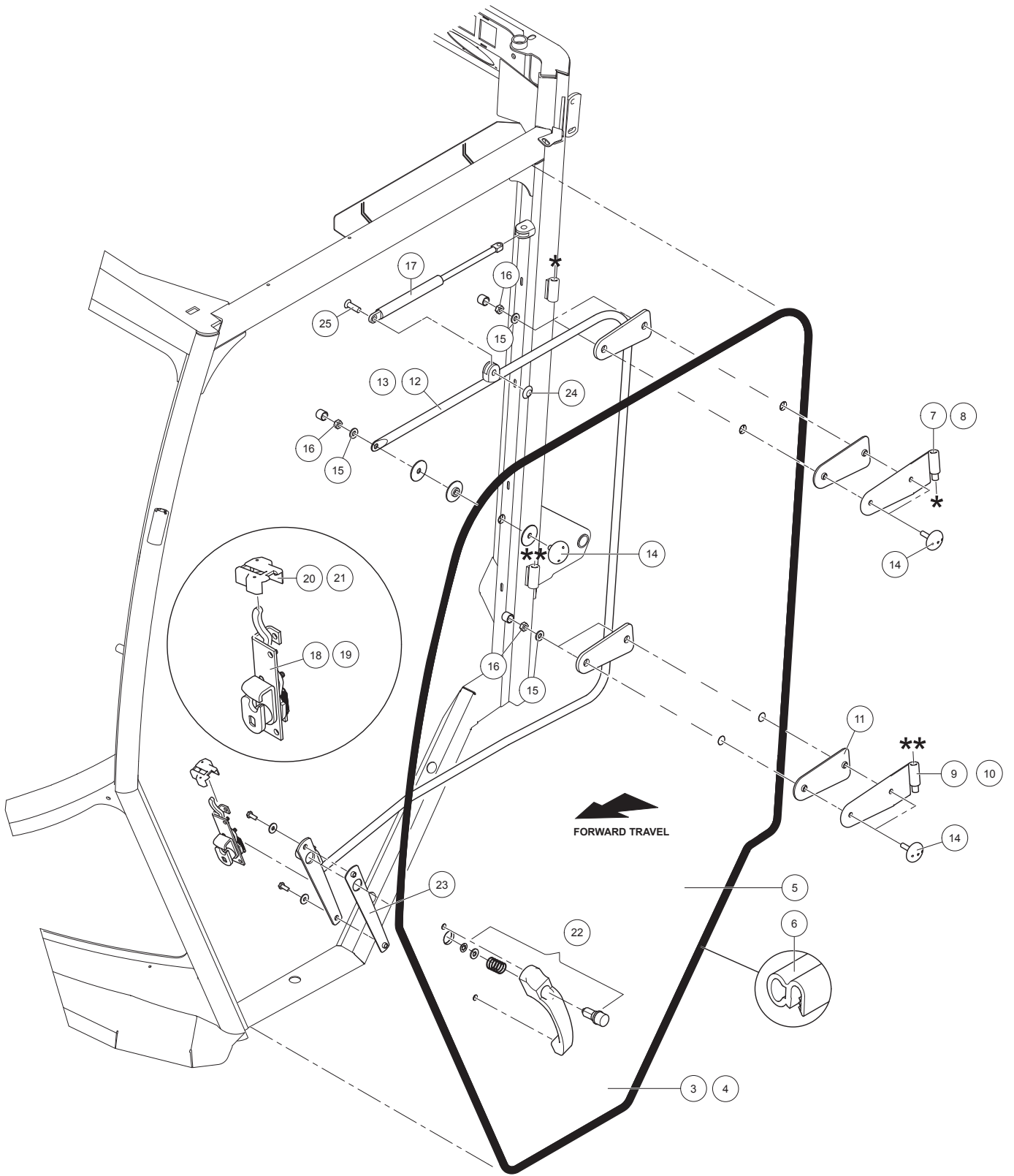
Safety Cab - Front Window



Safety Cab - Front Window

Ref.	Part Number	Qty.	Description	Ref.	Part Number	Qty.	Description
1	111-1757	1	Upper Glass Asy (includes 2&3)	9	964154	1	Buckle
2	964147	1	Upper Glass	10	111-1758	1	Lower Glass asy (includes 11&12)
3	964215	1	Upper Gasket	11	964180	1	Lower Glass
4	111-1744	1	Label	12	964215	1	Lower Gasket
5	964150	2	Hinge	13	964182	3	Glass Fixing
6	111-1756	2	Gas Strut Mounting	14	964183	3	Screw
7	964152	2	Gas Strut				
8	964229	2	Bracket				

Safety Cab - Main Frame/Doors

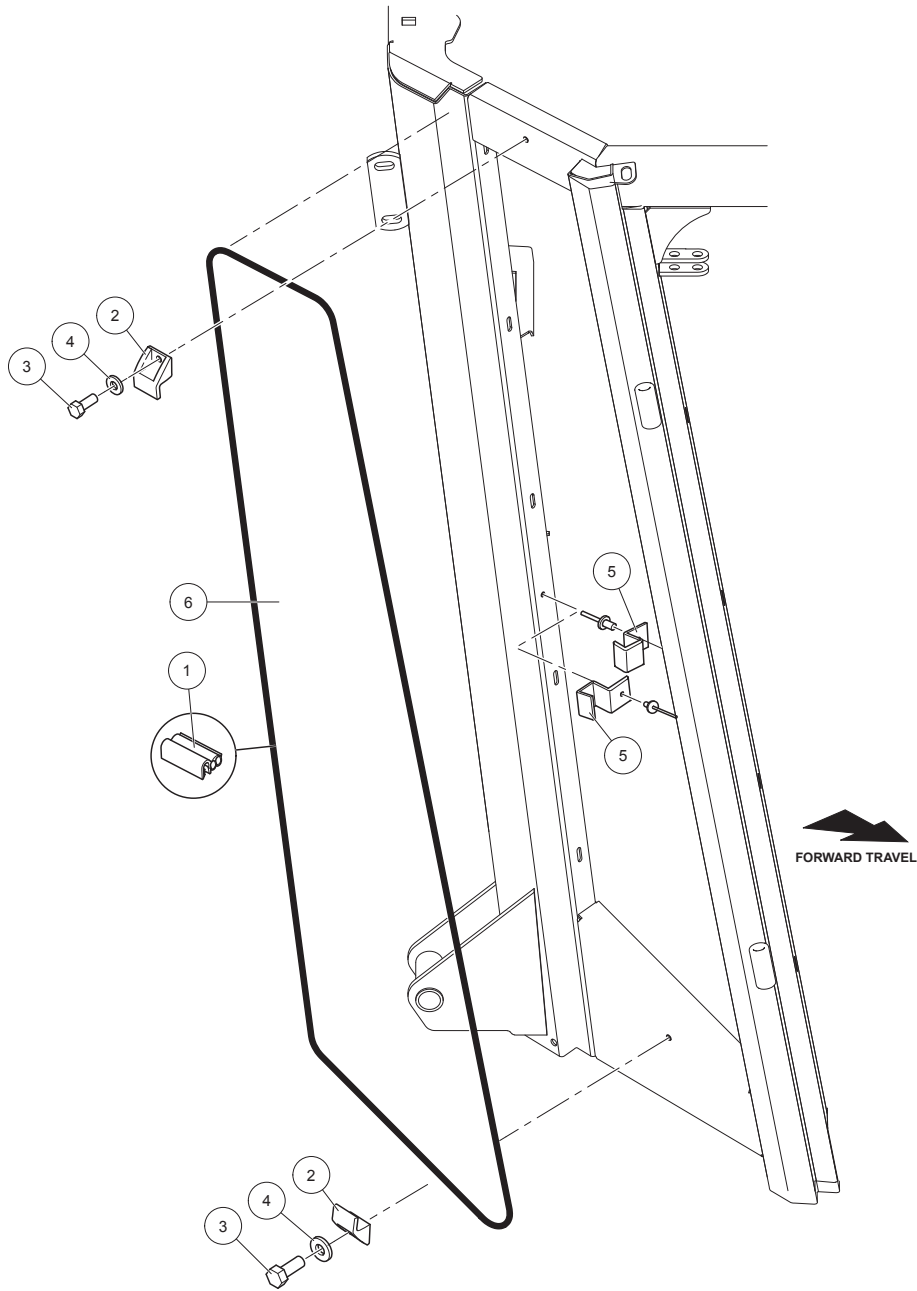


Safety Cab - Main Frame/Doors

Ref.	Part Number	Qty.	Description	Ref.	Part Number	Qty.	Description
1	111-1659	1	Door Assembly RH ●	15	ZWP1H000U	8	Washer
2	111-1660	1	Door Assembly LH ●	16	09441	8	Nut
3	111-1710	1	Glass Asy RH (includes 5&6)	17	964200	2	Gas Strut
4	111-1711	1	Glass Asy LH (includes 5&6)	18	964201	1	Safety Lock RH
5	111-1675	2	Glass	19	964202	1	Safety Lock LH
6	964215	1	Seal	20	111-1755	1	Cover RH
7	964190	1	Upper Hinge RH	21	111-1754	1	Cover LH
8	964191	1	Upper Hinge LH	22	111-1753	2	Button
9	964192	1	Lower Hinge RH	23	111-1749	2	Rubber
10	964193	1	Lower Hinge LH	24	111-1677	2	Holder
11	111-1749	8	Rubber	25	111-1700	2	Pin
12	111-1666	1	Door Rail RH				
13	111-1667	1	Door Rail LH				
14	964197	10	Screw Mauser Special				

● Not illustrated

Safety Cab - Side Windows

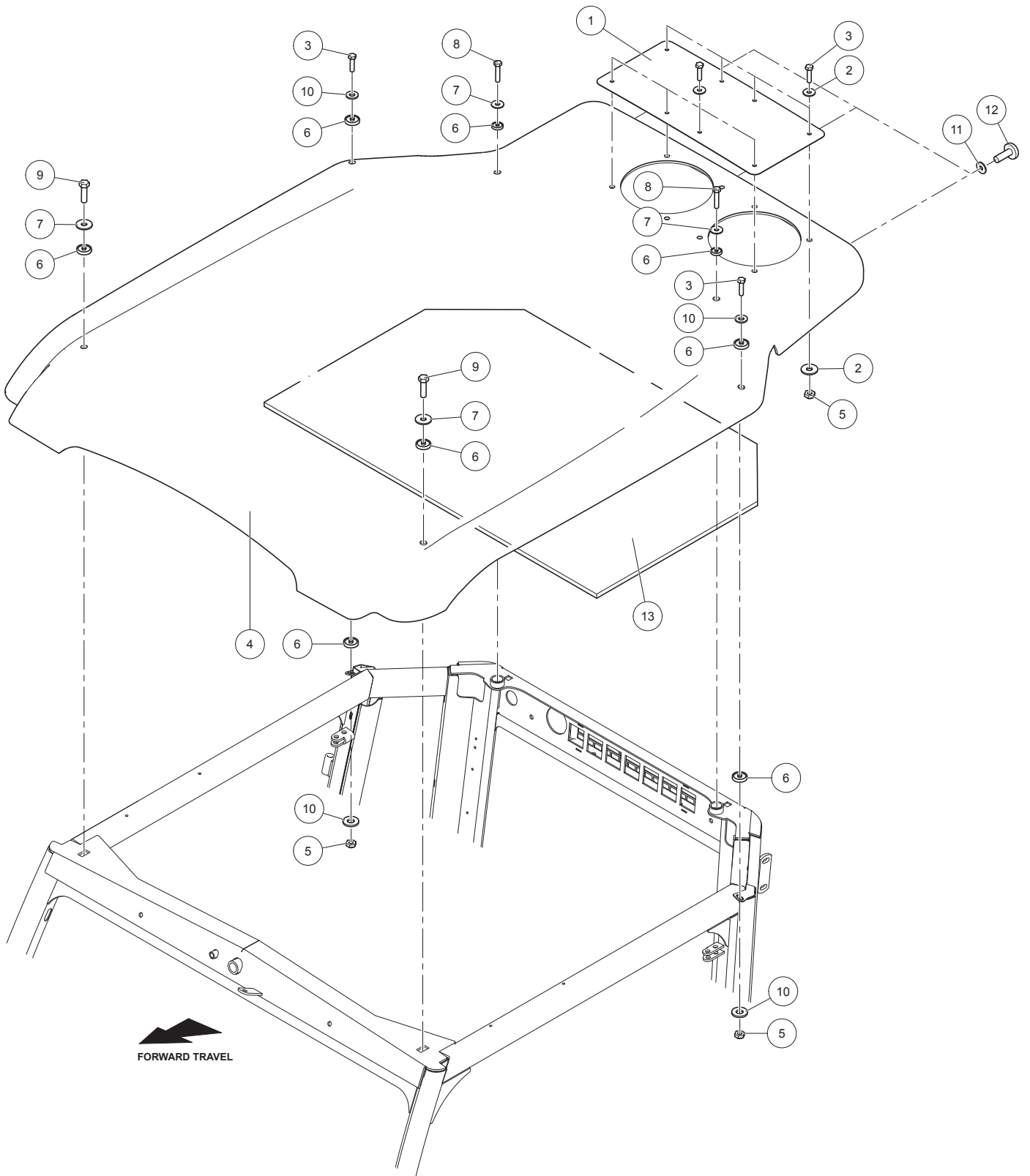


Safety Cab - Side Windows

Ref.	Part Number	Qty.	Description
1	964215	1	Seal
2	964182	2	Bezel
3	964218	2	Screw

Ref.	Part Number	Qty.	Description
4	ZWP1F000U	2	Washer
5	964217	2	Bracket
6	111-1674	1	Glass

Safety Cab - Roof

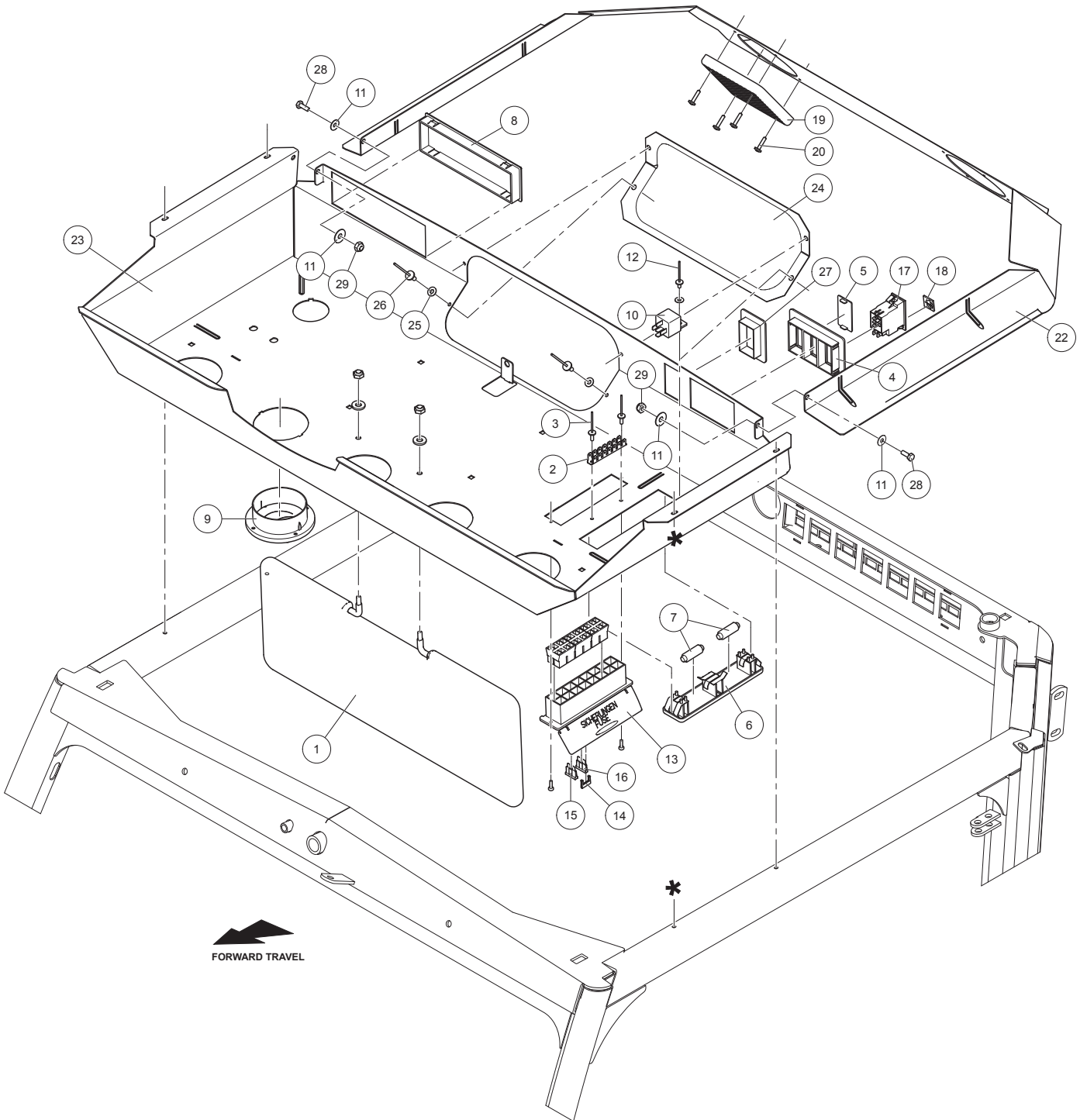


Safety Cab - Roof

Ref.	Part Number	Qty.	Description
1	111-1671	1	Cover
2	09472	16	Washer
3	09364	10	Screw
4	111-1685	1	Roof
5	09438	10	Nut
6	964131	8	Washer
7	964130	4	Washer

Ref.	Part Number	Qty.	Description
8	ZDH1H040U	2	Screw
9	09369	2	Screw
10	ZWP1H000U	4	Washer
11	09658	3	Washer
12	111-1688	3	Screw Self Taper
13	111-1668	1	Foam Pad

Safety Cab - Roof Insert



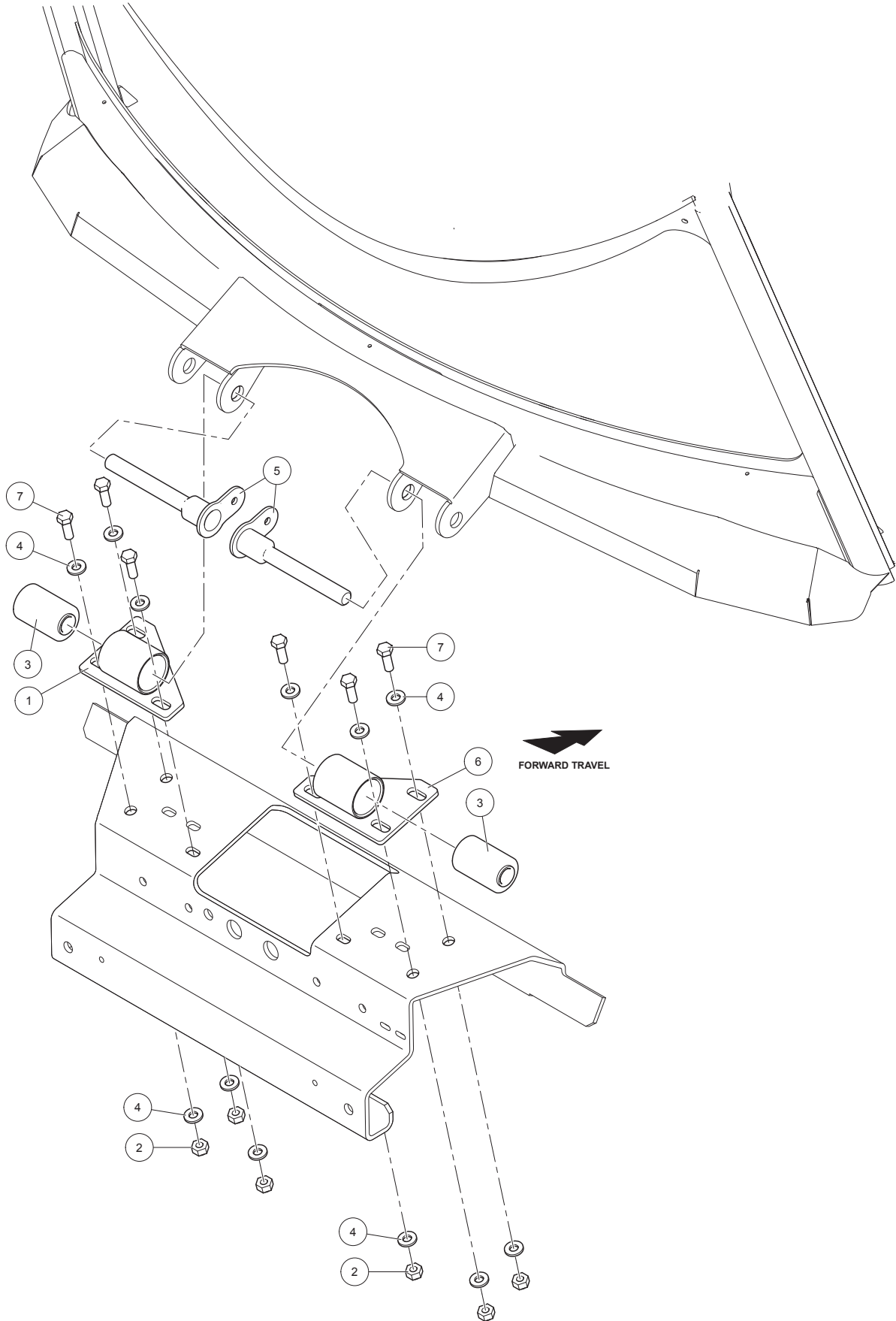

FORWARD TRAVEL

Safety Cab - Roof Insert

Ref.	Part Number	Qty.	Description	Ref.	Part Number	Qty.	Description
1	111-1656	1	Sun Visor	18	111-1743	1	Emblem
2	111-1697	1	Earthing Strip	19	111-1746	2	Cover
3	111-1694	2	Rivet	20	111-1689	8	Screw Self Tap
4	111-1751	1	Frame	21	111-1673	1	Wiring Harness ●
5	111-1752	3	Blanking Plate Switch	22	111-1713	1	Roof Insert Rear Padding
6	111-1680	1	Interior Light	23	111-1712	1	Roof Insert Front Padding
7	111-1733	2	5W Bulb	24	111-1672	1	Air Intake Grill
8	111-1750	1	Blanking Plate Radio	25	09658	4	Washer
9	111-1703	5	Air Nozzle	26	111-1696	4	Rivet
10	111-1737	1	Relay	27	111-1692	1	Frame
11	09658	4	Washer	28	111-1687	2	Screw
12	111-1693	1	Rivet	29	09657	2	Nut
13	111-1709	1	Fuse Box	30	111-1663	1	Wiring Harness for Windscreen Washer ●
14	111-1682	5	Fuse Bridge	31	111-1734	1	Main Wiring Harness ●
15	70-09-025	1	5 Amp Fuse	32	111-1732	1	Wiring Harness for Windscreen Wiper ●
16	111-1736	1	7.5 Am Fuse	33	111-1669	1	Wirning Harness for Interior Light ●
17	964158	1	Switch				

● Not illustrated

Safety Cab - Front Mounting

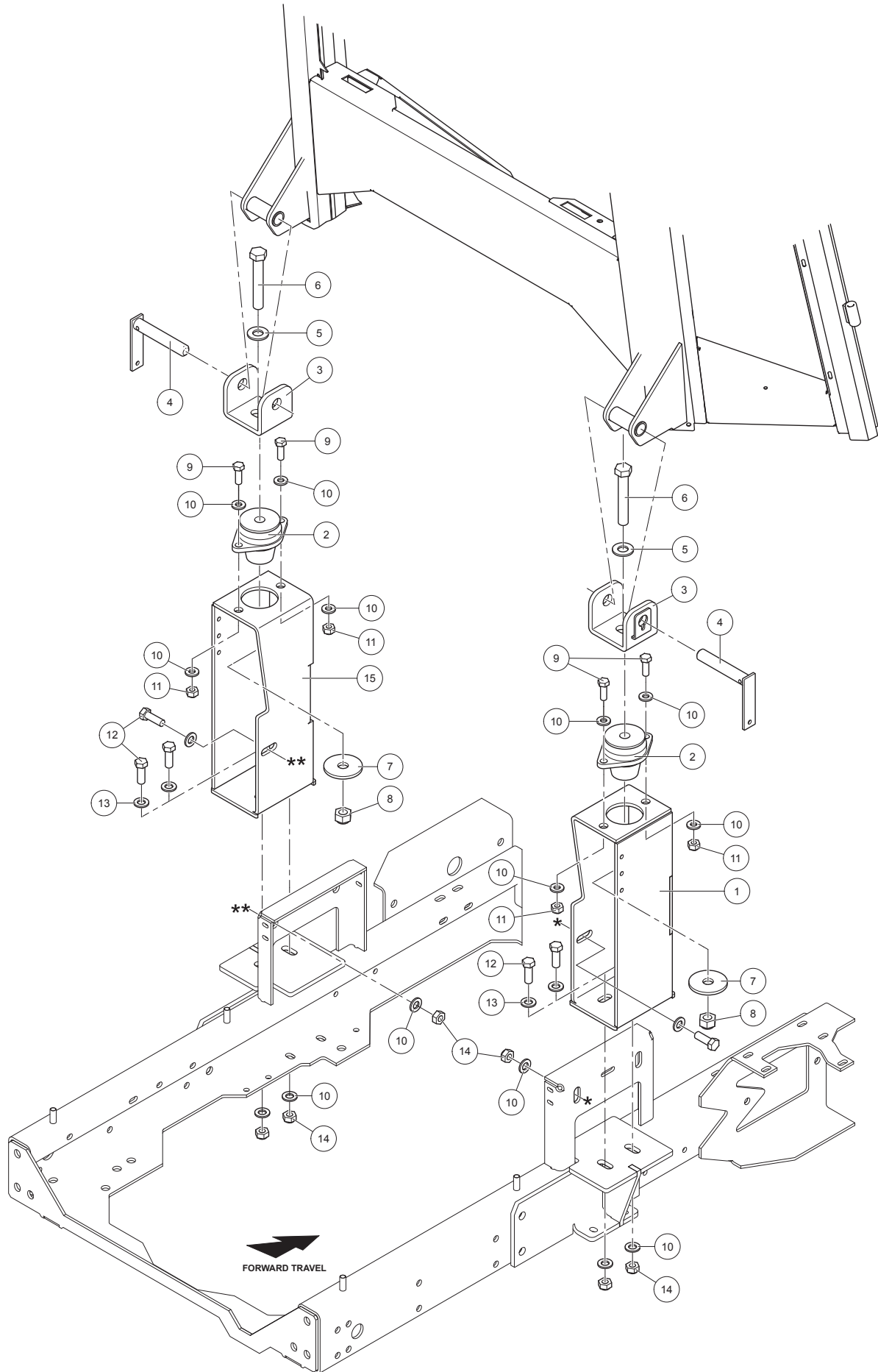


Safety Cab - Front Mounting

Ref.	Part Number	Qty.	Description
1	964133	1	Support LH
2	ZNN1J000U	6	Nut
3	964135	2	Flexible Bush Mounting
4	ZWP1H000U	12	Washer

Ref.	Part Number	Qty.	Description
5	964142	2	Locking Pin
6	964132	1	Support RH
7	964134	6	Screw

Safety Cab - Rear Mounting

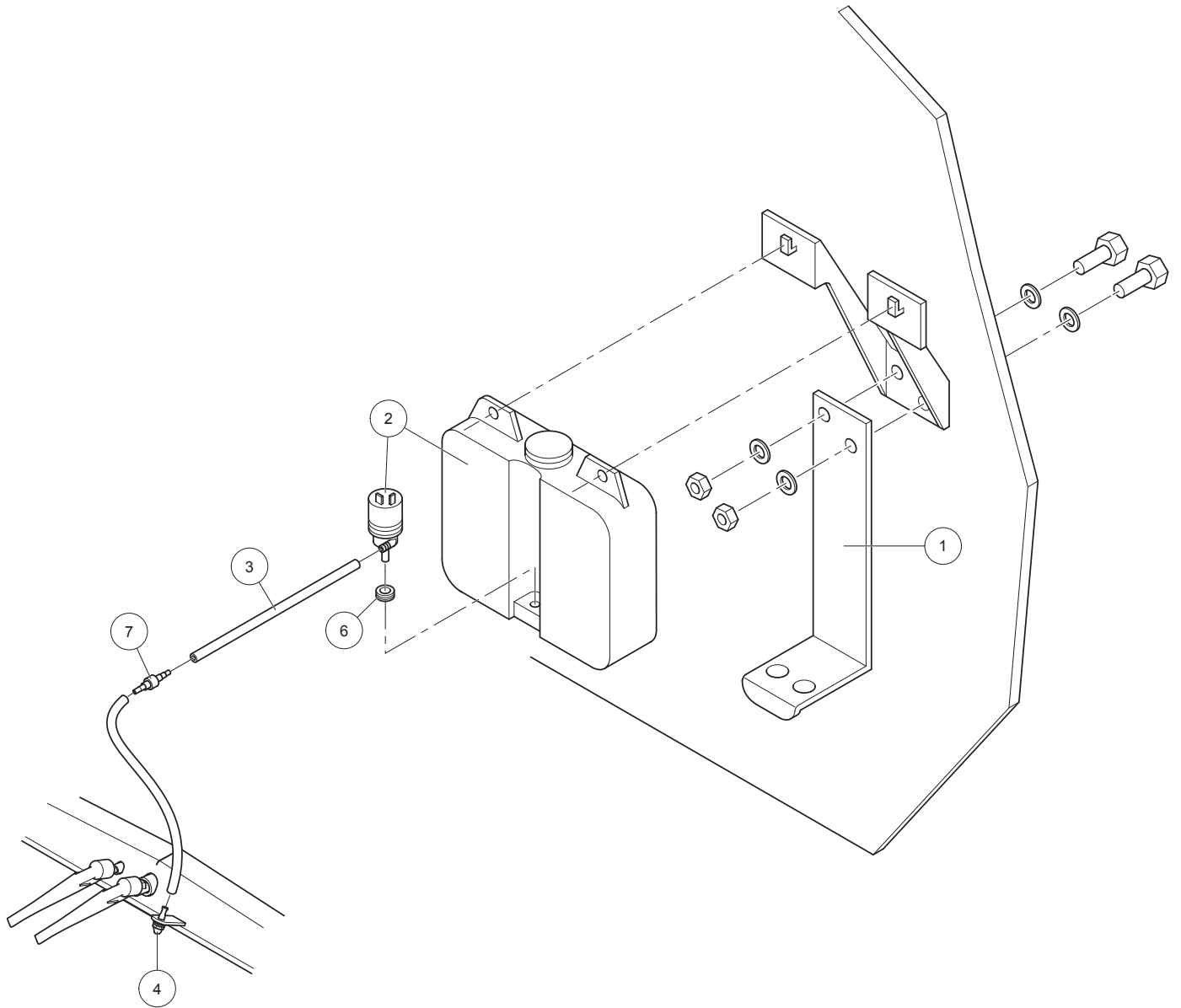


Safety Cab - Rear Mounting

Ref.	Part Number	Qty.	Description	Ref.	Part Number	Qty.	Description
1	964137	1	Support Post RH	9	964134	4	Screw
2	111-1686	2	Flexible Mounting	10	ZWP1H000U	8	Washer
3	964141	2	Pin Holder	11	ZNN1J000U	4	Nut
4	964142	2	Locking Pin	12	ZDH1L035U	4	Screw
5	111-1690	2	Washer	13	HY09485	8	Washer
6	ZBH1P100U	2	Screw	14	09650	4	Nut
7	111-1745	2	Plate	15	964138	1	Support Post LH
8	09456	2	Nut	16	964012W	2	Plate Cab Spacer ●

● Not illustrated

Safety Cab - Windscreen Washer



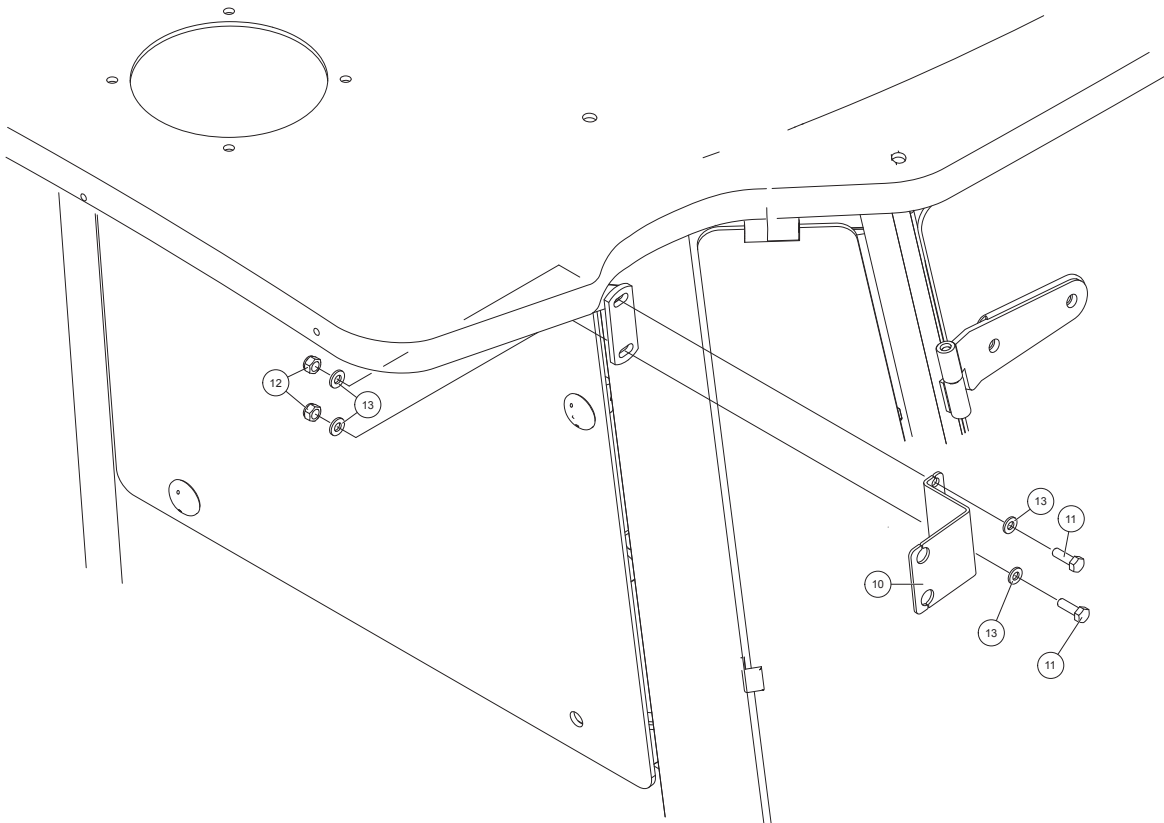
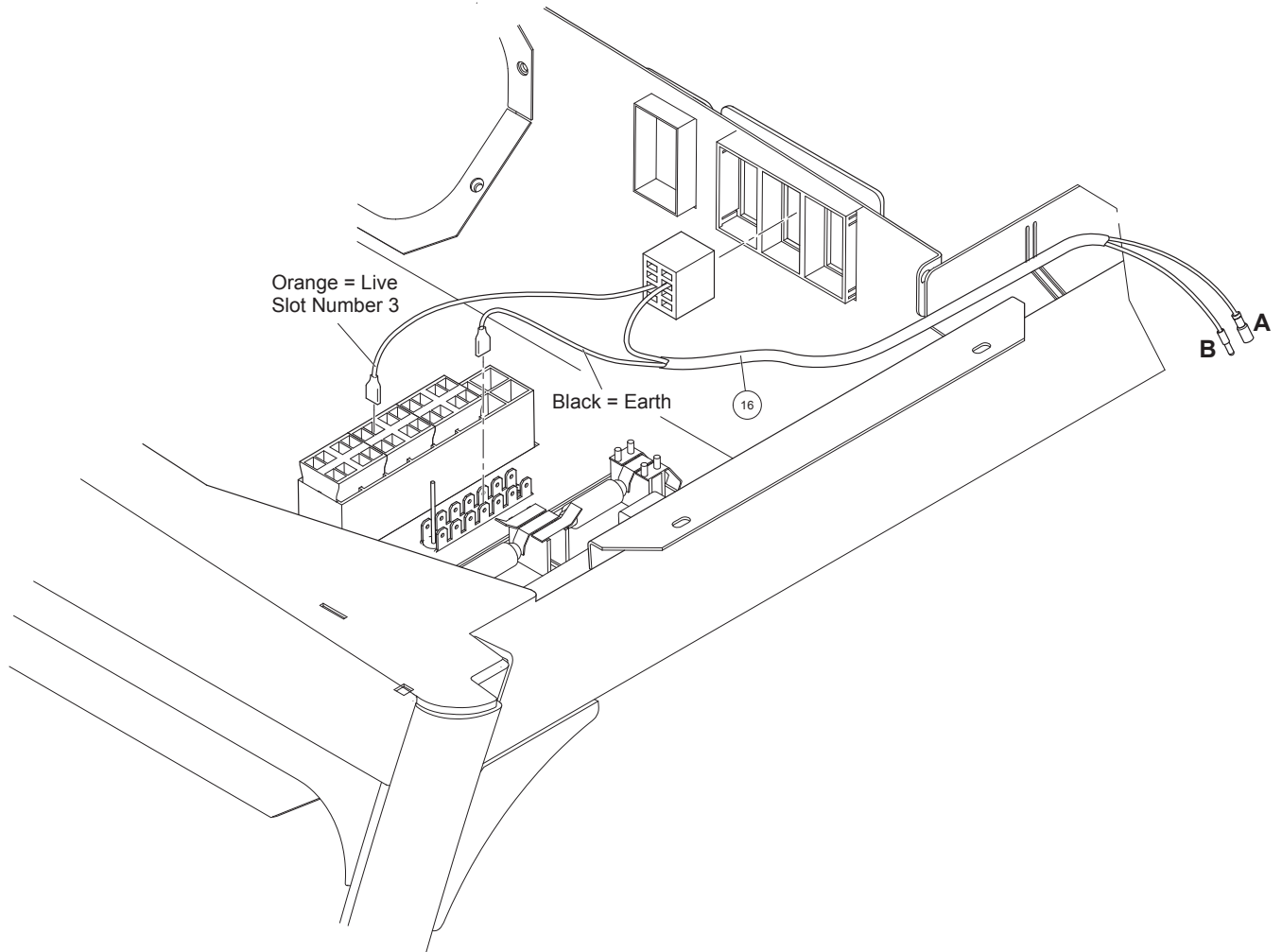
Safety Cab - Windscreen Washer

Ref.	Part Number	Qty.	Description
1	111-1731	1	Bracket
2	964234	1	Reservior with Pump
3	111-1741	1	Hose
4	111-1735	1	Nozzle

Ref.	Part Number	Qty.	Description
5	HY3966	7	Cable Tie ●
6	111-1742	2	Grommet
7	964239	1	Check Valve

● Not illustrated

Beacon Assembly

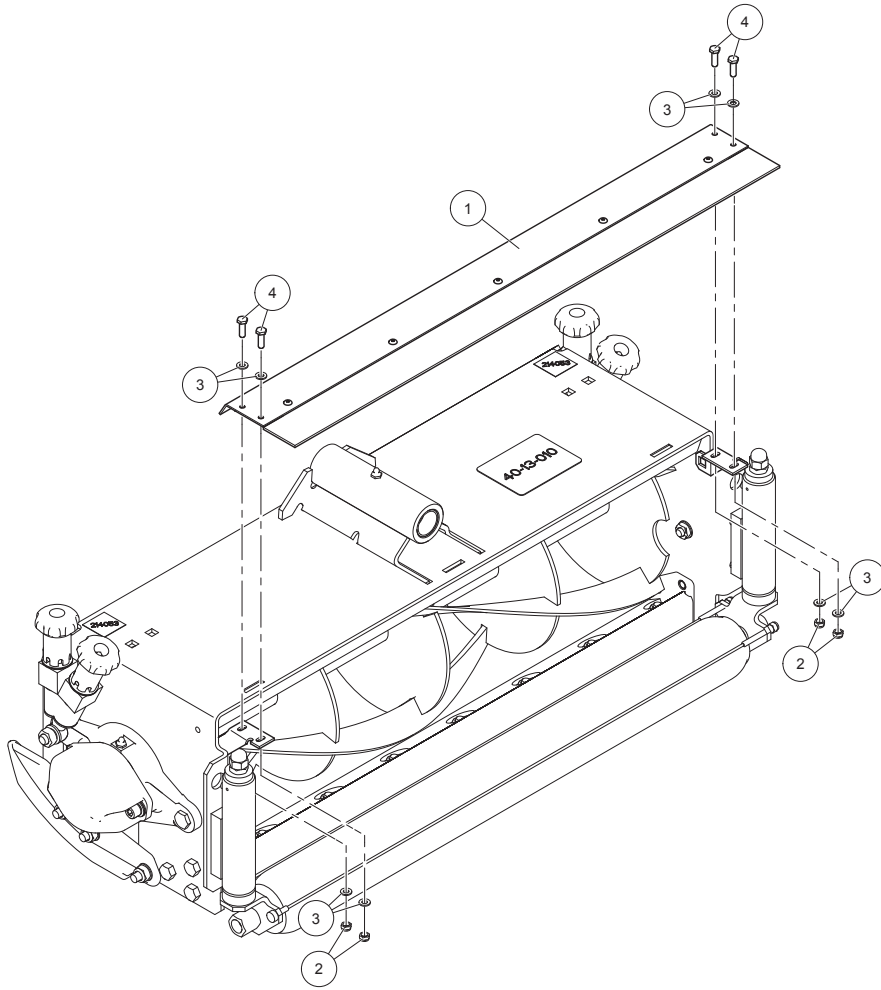


Beacon Assembly

Ref.	Part Number	Qty.	Description
10	111-1465-03	1	Bracket Beacon Mount
11	03162	2	Setscrew
12	09441	2	Nut Nylon Insert T Type
13	ZWP1H000U	4	Washer

Ref.	Part Number	Qty.	Description
16	964004	1	Loom Beacon kit

Rear Deflector Assembly



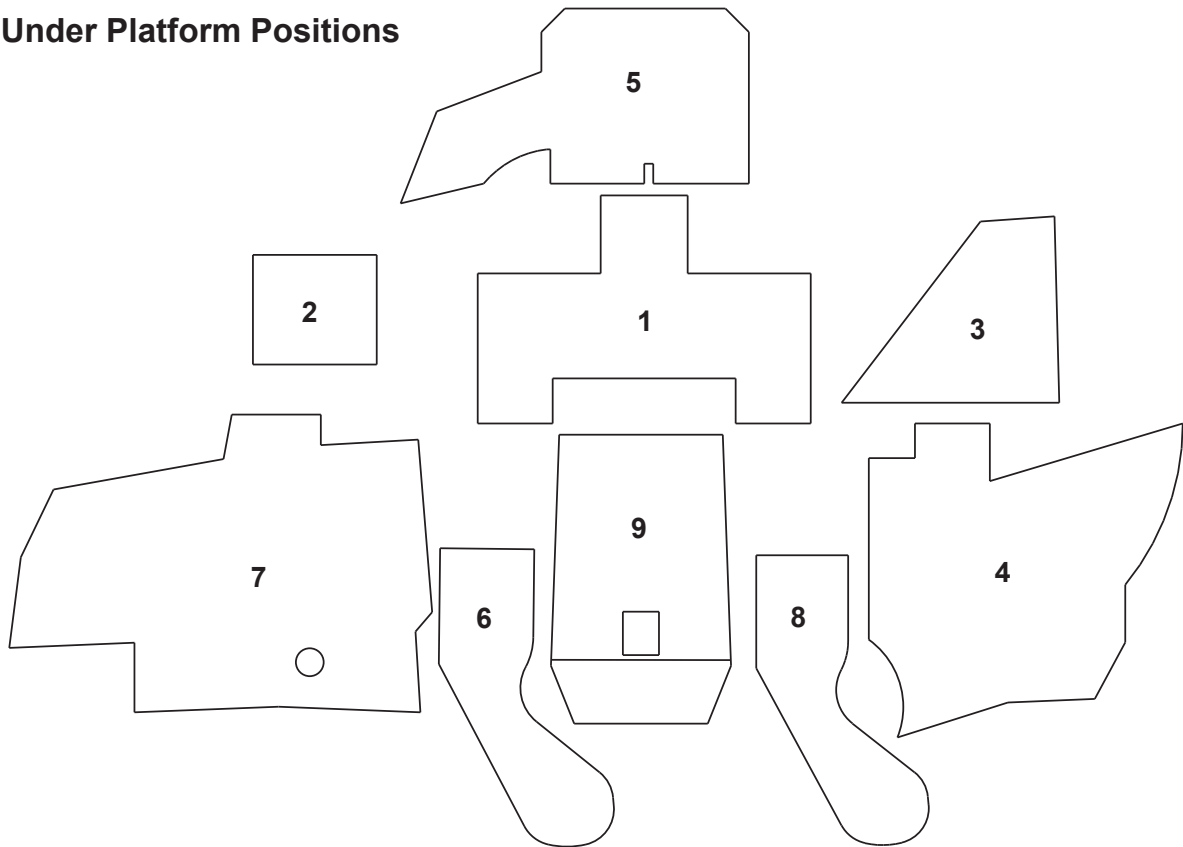
Rear Deflector Assembly

Ref.	Part Number	Qty.	Description	Ref.	Part Number	Qty.	Description
1	111-0177	2	Deflector Assembly Cab Kit	3	09470	16	Washer Plain
1:10	09320	5	Rivet ●	4	ZDH1E016U	8	Setscrew
1:20	111-0174-03	1	Deflector Cab ●	5	65-05-127	2	Pin Head ●
1:30	111-0175-03	1	Deflector Strip ●	6	964003	2	Spacer ●
1:40	111-0176	1	Rubber ●				
2	09430	8	Nut Nyloc				

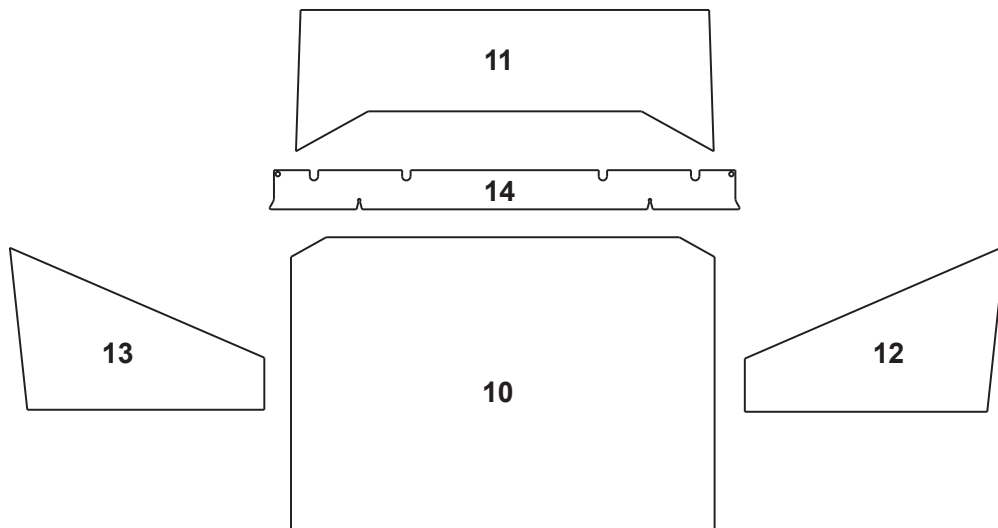
● Not illustrated

Cab Noise Reduction Kit

Under Platform Positions



Internal Cab Position Behind Operator seat



Cab Noise Reduction Kit

Ref.	Part Number	Qty.	Description	Ref.	Part Number	Qty.	Description
1	986821	1	Under Platform, Mid Centre	9	986829	1	Under Platform, Frt Centre
2	986822	1	Under Platform, LH Rear	10	986812	1	Sound Proofing Seat Back Lower
3	986823	1	Under Platform, RH Rear	11	986813	1	Sound Proofing Seat Back Upper
4	986834	1	Under Platform, RH Foot Well	12	986814	1	Sound Proofing - Cab Recess LH
5	986825	1	Under Platform, Behind Seat	13	986815	1	Sound Proofing - Cab Recess RH
6	986826	1	Under Platform, LH Centre Well	14	986850W	1	Plate - Noise Fitting
7	986827	1	Under Platform, LH Foot Well				
8	986828	1	Under Platform, RH Centre Well				



Count on it.