



Count on it.

Parts Catalog

Multi Pro[®] WM Turf Sprayer

Model No. 41240—Serial No. 314000001 and Up



Ordering Replacement Parts

To order replacement parts, please supply the part number, the quantity, and the description of each part desired.

Understanding Reference Numbers

Each identified part in an illustration has a reference number. The reference number for a part also appears in the parts list, along with other information about the part.

This catalog uses two special reference number formats, one to indicate parts in a service assembly and another to indicate the quantity of a given part in an illustration.

Service Assembly Reference Numbers

Parts in service assemblies have reference numbers in the form a:b. The a represents the reference number of the entire service assembly and the b represents a sequential number unique to each part within the service assembly.

For example, a wheel assembly might be identified by reference number 6, the tire by 6:1, the valve by 6:2, and the wheel by 6:3. When you order the assembly identified by reference number 6, you receive all parts identified by reference numbers 6:1, 6:2, and 6:3. However, you may also order any part individually. Reference numbers of this type appear in illustration and in parts lists.

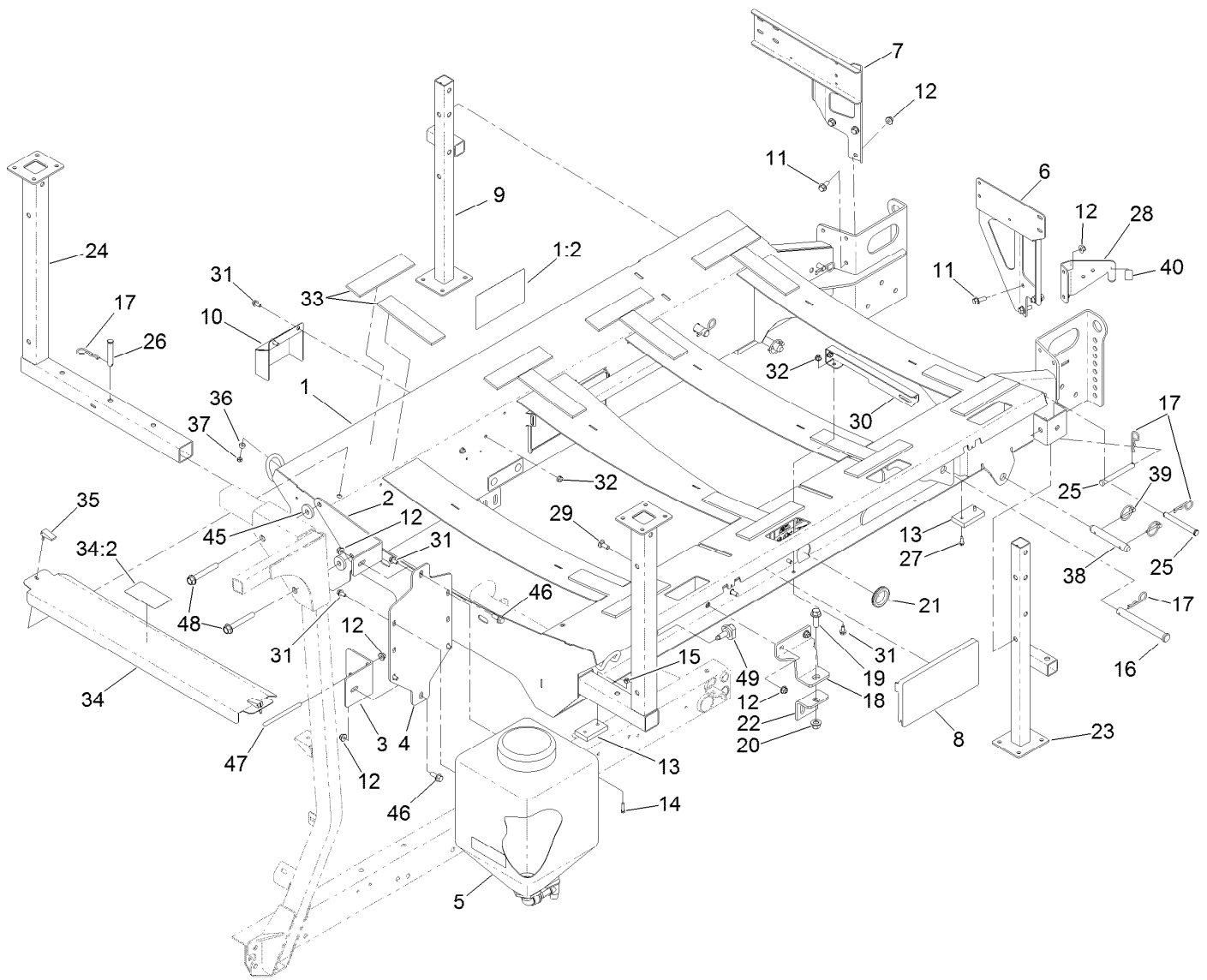
Reference Numbers Indicating Quantity

In an illustration, if a reference number indicates more than one part, the reference number has the form nX y. The n represents the quantity of the part, the X is the multiplication symbol, and the y represents the reference number.

For example, in an illustration, the reference number 2X 37 means that two of the parts identified by reference number 37 are indicated.

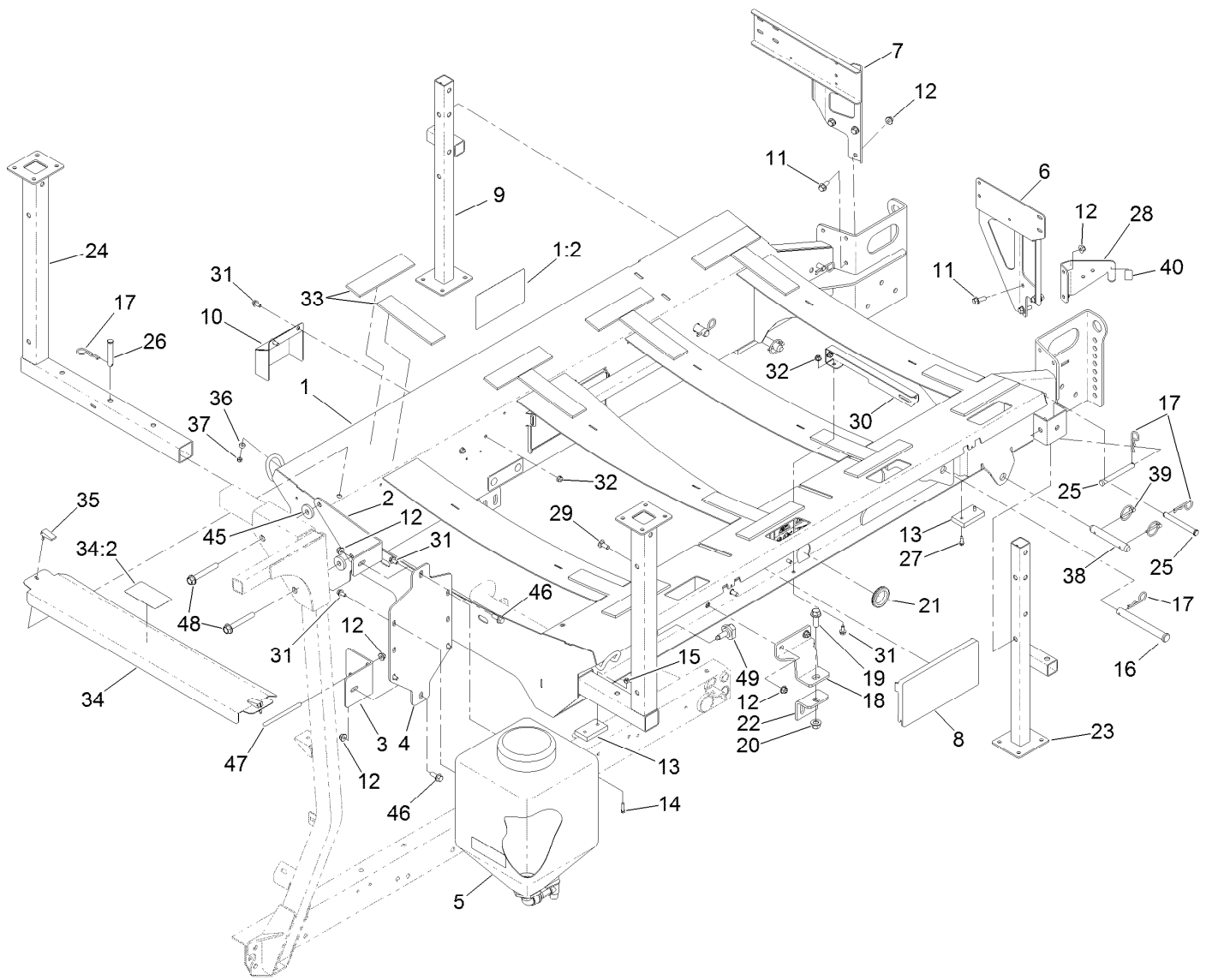
Contents

Main Frame, Jack Stand and Boom Mount Assembly	4
Fresh Water Tank Assembly No. 117-7901	6
Control Console Assembly	7
Pump and PTO Driveshaft Assembly	9
Pump Assembly No. 117-0713	10
Driveshaft Assembly No. 125-0680	11
Tank Assembly	12
Tank Assembly No. 121-6518	13
Spray Tank Lid Assembly No. 119-9380	14
Suction Filter Assembly No. 125-8006	15
Agitation, Bypass and Boom Manifold Assembly	16
Agitation Manifold Valve Assembly	17
Bypass Manifold Assembly No. 125-0613	18
Flow Meter Assembly No. 106-1038	19
Boom Manifold Assembly No. 125-0616	20
Hose Assembly	21
Boom Lift Hydraulic Assembly	23
Hydraulic Cylinder Assembly No. 117-0701	24
On-Off Boom Lift Valve No. 117-0702	25
Wire Harness Assembly	26
Center Boom Mount Assembly	27
LH Single Turret Body Assembly No. 108-3725	28
Double Turret Body Assembly No. 108-3727	29
RH Single Body Turret Assembly No. 108-3726	30
Boom Mounting Assembly	31
Left and Right Hand Boom Assembly	32
Attachments and Accessories	33



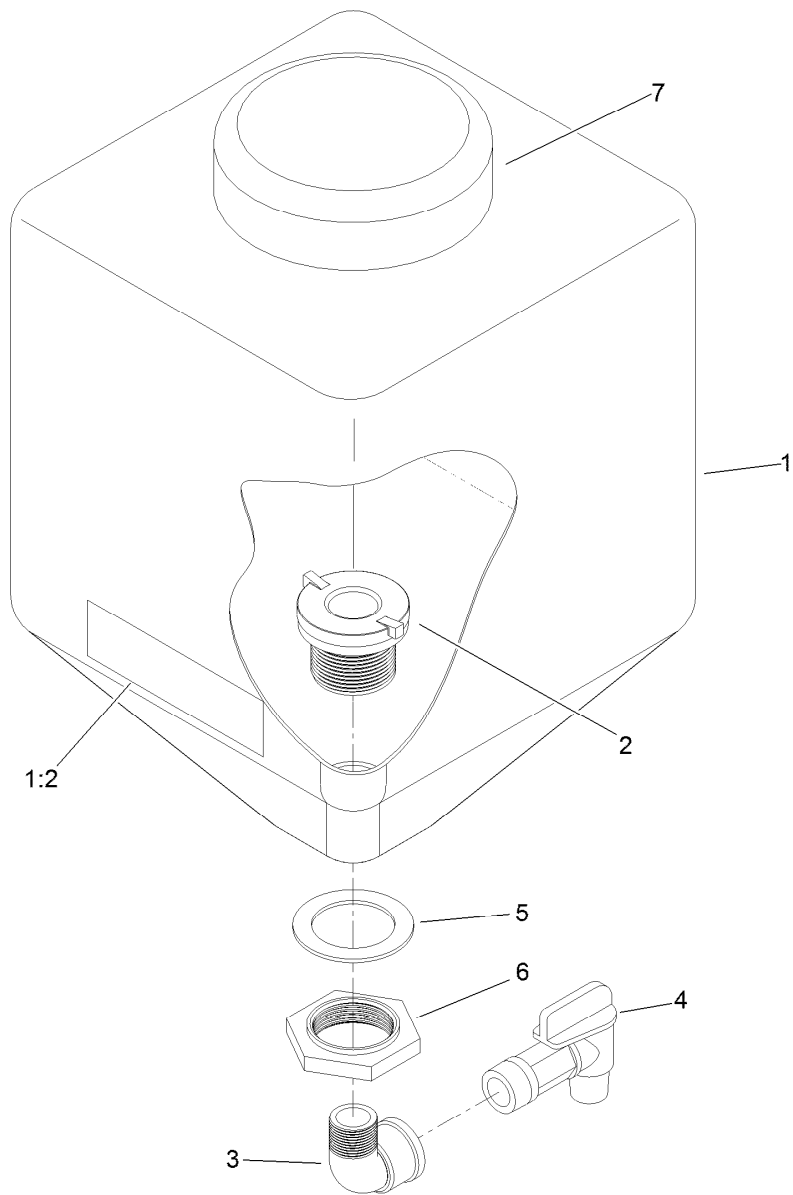
Main Frame, Jack Stand and Boom Mount Assembly

Ref.	Part Number	Qty.	Description	Ref.	Part Number	Qty.	Description
1	127-3984	1	Skid ASM	18	125-0809	2	Bracket-Mount, Front
1:2	127-3936	2	Decal-Danger	19	100-6116	2	Screw-HHF
2	127-3989-03	1	Mount-Upper, Fresh Water Tank	20	99-5107	2	Nut-Lock
3	127-3990-03	1	Mount-Lower, Fresh Water Tank	21	240-2	1	Grommet-Rubber
4	120-0763-03	1	Plate-Fresh Water	22	92-2667-03	2	Bracket-Mount
5	117-7901	1	Fresh Water Tank ASM	23	125-0840-03	1	Jack Stand-Rear
6	125-0766-03	1	Bracket-Mount, Agitation Manifold	24	125-0841-03	2	Stand-Front
7	125-0769-03	1	Bracket-Mount, Valve	25	283-83	4	Pin-Clevis
8	125-0798	2	Cover-Access	26	283-55	2	Pin-Clevis
9	125-8108-03	1	Jack Stand-Rear, RH	27	49-2040	4	Screw-HWHTF
10	125-8138-03	1	Guard-Relay	28	125-0992-03	1	Mount-Valve
11	3234-42	6	Screw-HHF	29	3231-2	4	Bolt-CARR
12	104-8301	14	Nut-HF, NI	30	125-4049-03	1	Bracket-Mount, Valve Drain
13	93-9719	4	Block-Wear	31	3234-14	8	Screw-HHF
14	321-4	4	Screw-HH	32	104-8300	4	Nut-HF, NI
15	3296-42	4	Nut-Lock, NI	33	125-8094	16	Pad-Tank
16	100-5569	2	Pin-Clevis	34	127-3985	1	Skid Cover ASM
17	3290-343	8	Pin-Hair	34:2	127-3937	1	Decal-Warning, Engine Cover
				35	106-6777	2	Handle-Latch, Swell
				36	106-6778	2	Bushing-Latch, Swell



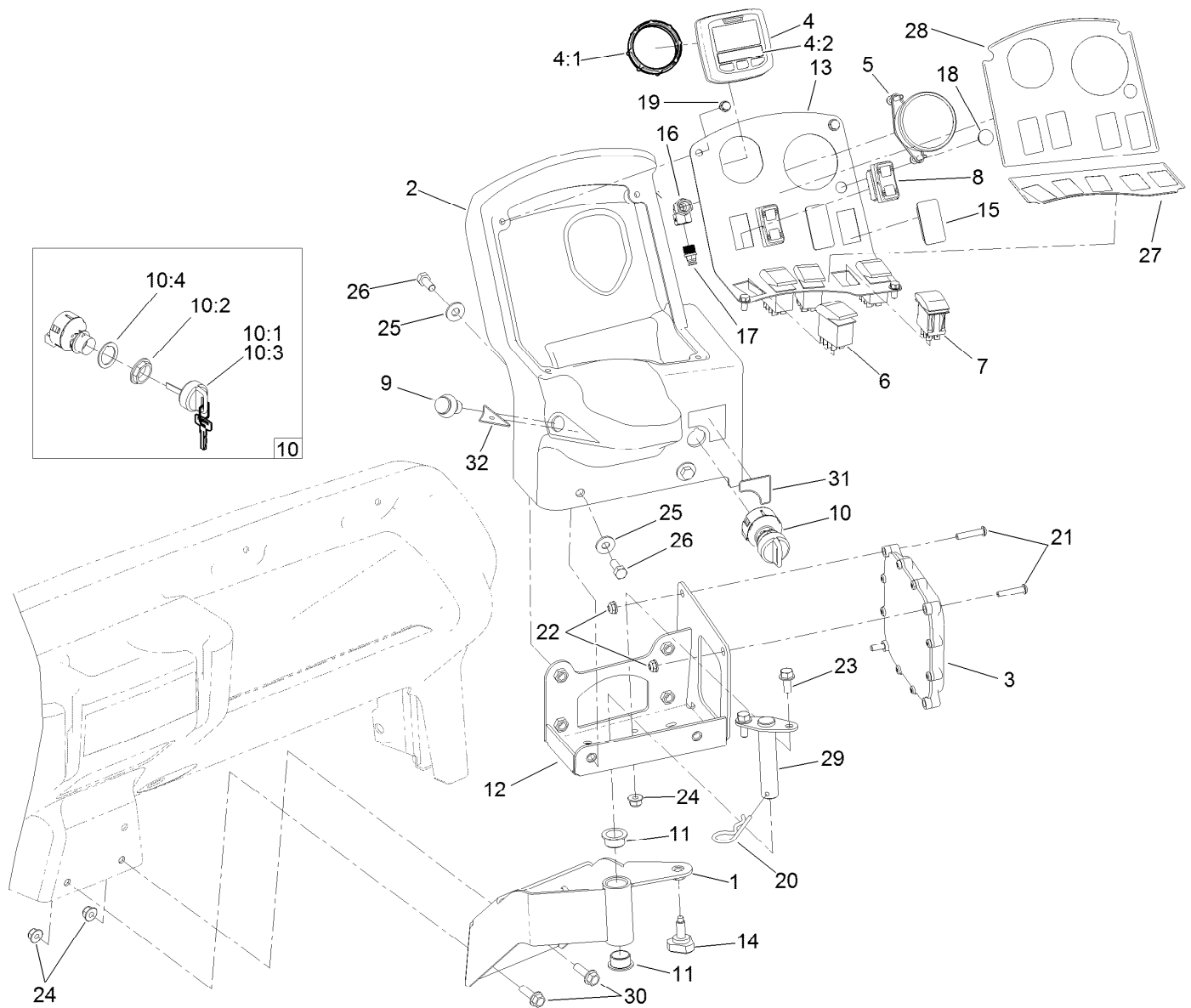
Main Frame, Jack Stand and Boom Mount Assembly (continued)

<i>Ref.</i>	<i>Part Number</i>	<i>Qty.</i>	<i>Description</i>	<i>Ref.</i>	<i>Part Number</i>	<i>Qty.</i>	<i>Description</i>
37	1-804254	2	Nut-Lock, HH	46	3234-11	2	Screw-HHF
38	92-1233	2	Pin-Clevis	47	119-6727	1	U-Bolt
39	92-1298	4	Pin-Lynch	48	114-8419	2	Screw-HHF
40	127-3943	1	Decal-Agitation, Throttle	49	95-9648	2	Knob
45	30-8770	2	Washer				



Fresh Water Tank Assembly No. 117-7901

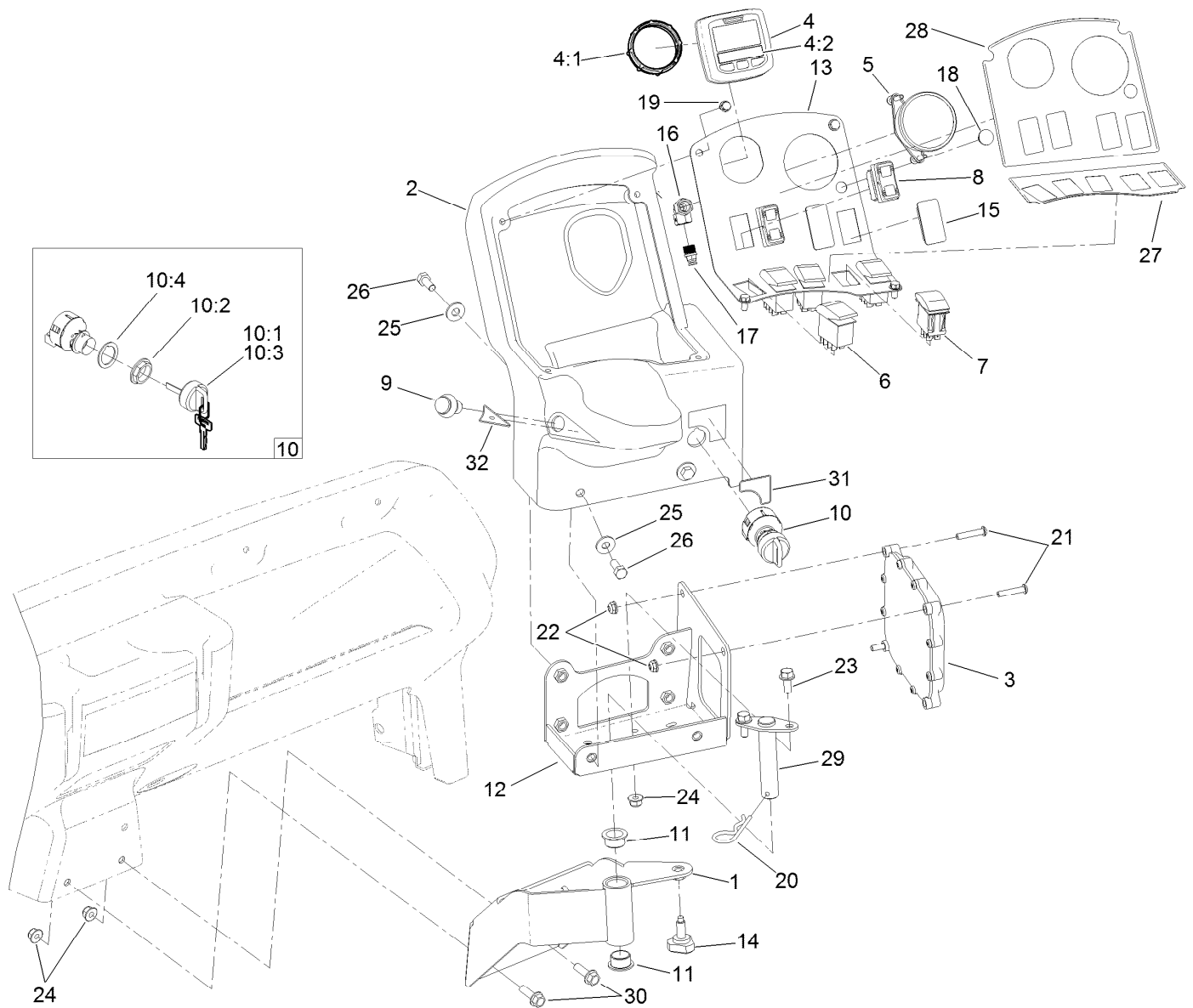
<i>Ref.</i>	<i>Part Number</i>	<i>Qty.</i>	<i>Description</i>
1	127-3983	1	Tank-Water, Fresh
1:2	120-0616	2	Decal-Water, Fresh
2	117-7998	1	Bulkhead
3	119-0524	1	Elbow
4	106-4925	1	Spigot-90 DEG
5	119-0526	1	Bulkhead-Washer
6	119-0525	1	Bulkhead-Nut
7	99-0613	1	Cap-Tank



Control Console Assembly

Ref.	Part Number	Qty.	Description	Ref.	Part Number	Qty.	Description
1	125-0716-03	1	Bracket-Mounting, Console	12	125-4021-03	1	Bracket-Pivot, Console
2	125-0715	1	Console-Control	13	125-4020-03	1	Panel-Control
3	115-1900	1	Controller	14	95-9648	1	Knob
4	120-6310	1	LCD Display ASM	15	99-7420	2	Plug-Hole
4:1	120-4630	1	Nut-Display	16	125-8137	1	Fitting-Elbow-90
4:2	120-6311	1	Decal-Display	17	100-8674	1	Coupler-Tube
5	120-8546	1	Gauge-Pressure	18	119-5329	1	Plug-Hole
6	100-8490	4	Switch-Rocker, On-None-On	19	32144-4	4	Screw-HWH
7	100-1535	1	Switch	20	3290-343	1	Pin-Hair
8	125-0899	2	Switch-Rocker	21	120-0834	3	Screw-HSBH
9	125-7996	1	Switch-Pb, Momentary	22	104-7201	3	Nut-HF
10	110-2580	1	Switch-Key, Supervisor	23	3234-5	2	Screw-HHF
10:1		1	Switch-Key ●	24	104-8300	5	Nut-HF, NI
10:2	108-8660	1	Nut-Mounting	25	3256-71	6	Washer-Flat
10:3	110-5221	1	Set-Key, Supervisor	26	322-43	6	Screw-HH
10:4	108-8659	1	Washer-Backup	27	125-4051	1	Decal-Console, Lower
11	109-8054	2	Bushing-Flange	28	125-4052	1	Decal-Console, Upper
				29	125-4054	1	Pin

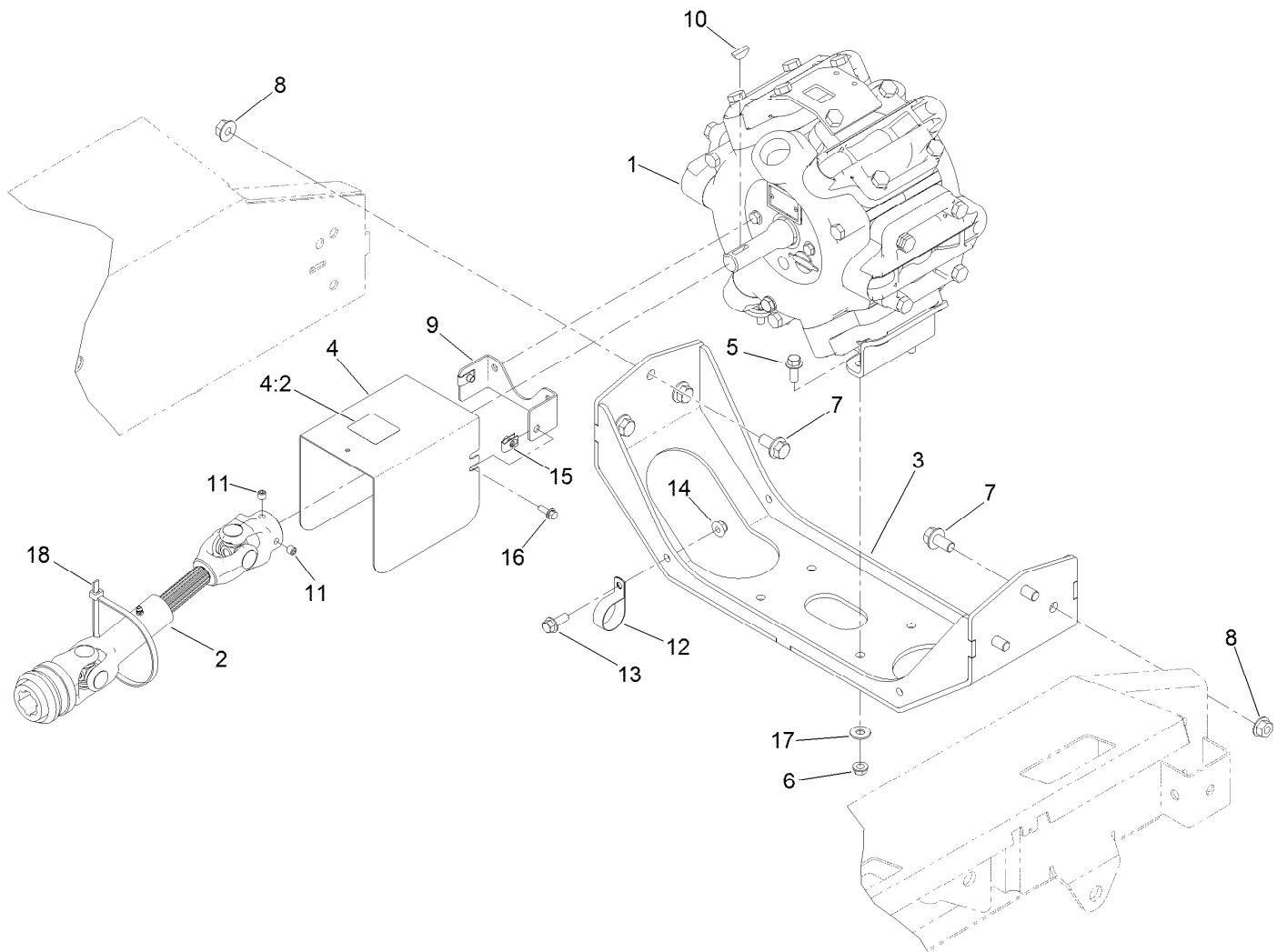
● Not serviced separately



Control Console Assembly (continued)

<i>Ref.</i>	<i>Part Number</i>	<i>Qty.</i>	<i>Description</i>	<i>Ref.</i>	<i>Part Number</i>	<i>Qty.</i>	<i>Description</i>
30	3234-17	3	Screw-HHF	31	127-3916	1	Decal-Supervisor Key
				32	125-8139	1	Decal-Master Boom Switch

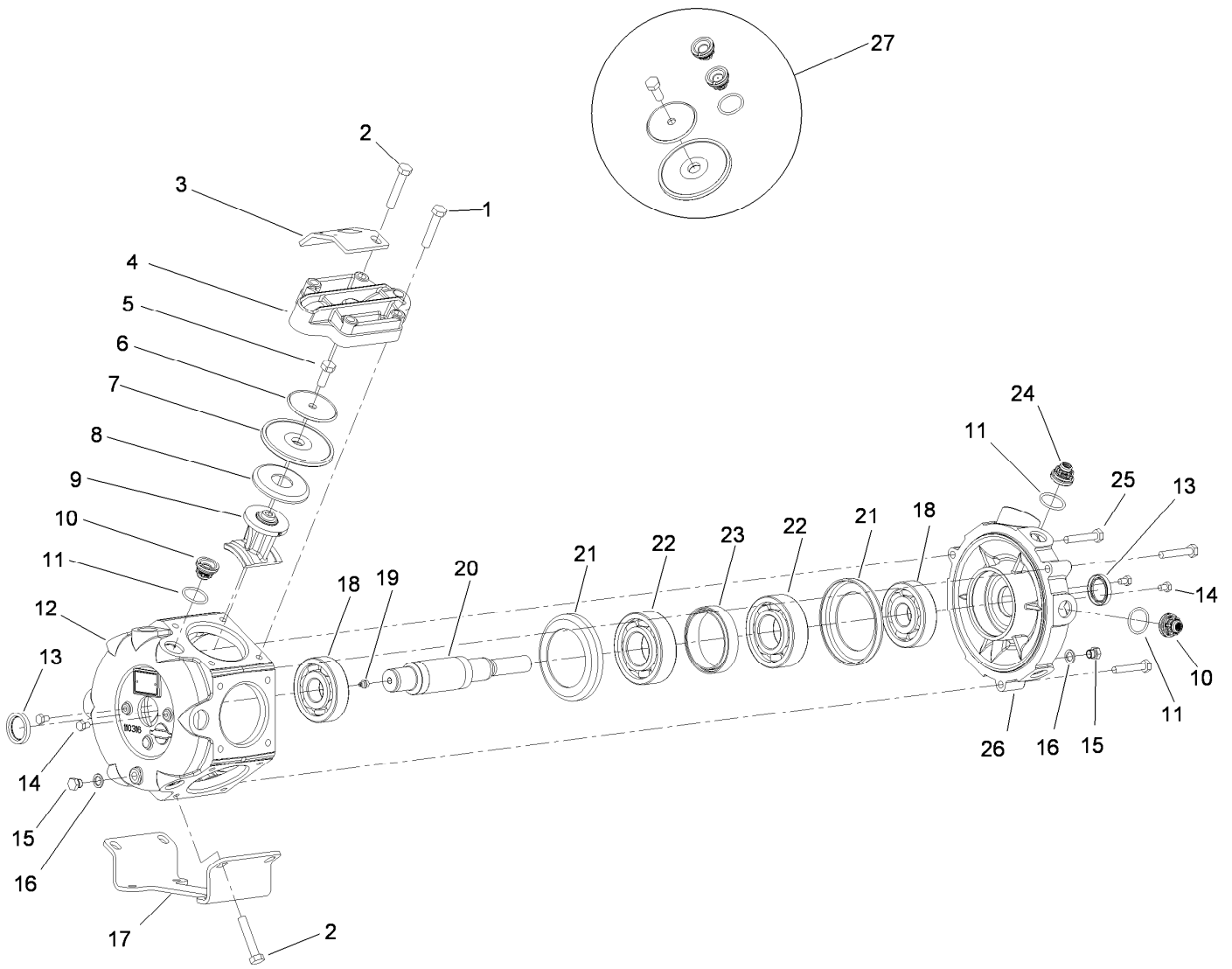
● Not serviced separately



Pump and PTO Driveshaft Assembly

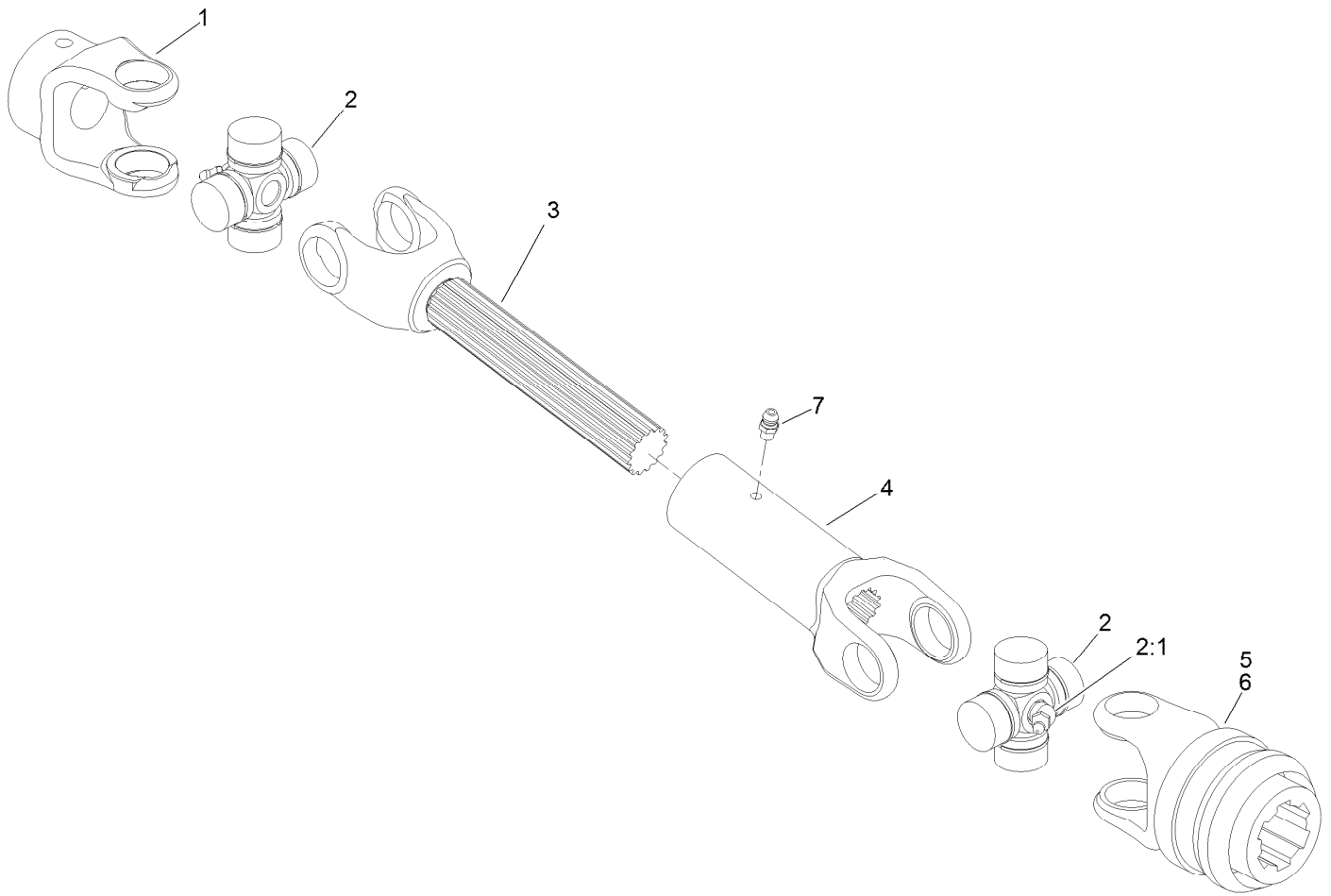
<i>Ref.</i>	<i>Part Number</i>	<i>Qty.</i>	<i>Description</i>
1	117-0713	1	Pump ASM
2	125-0680	1	Driveshaft-PTO
3	125-8053-03	1	Mount-Pump
4	127-3986	1	Shield-Driveshaft
4:2	127-3981	1	Decal-Warning
5	3234-11	4	Screw-HHF
6	3290-357	4	Nut-HHF, Whiz
7	3234-6	6	Screw-HHF
8	32128-49	6	Nut-HHF
9	125-8054-03	1	Bracket-Shield, Driveshaft

<i>Ref.</i>	<i>Part Number</i>	<i>Qty.</i>	<i>Description</i>
10	106-1990	1	Key-Woodruff
11	3247-2	2	Screw-Set, HSH
12	2412-147	1	Clamp-R
13	3234-42	1	Screw-HHF
14	104-8301	1	Nut-HF, NI
15	107069	2	Clip
16	3234-4	2	Screw-HHF
17	3256-4	4	Washer-Flat
18	3334-945	1	Tie-Cable



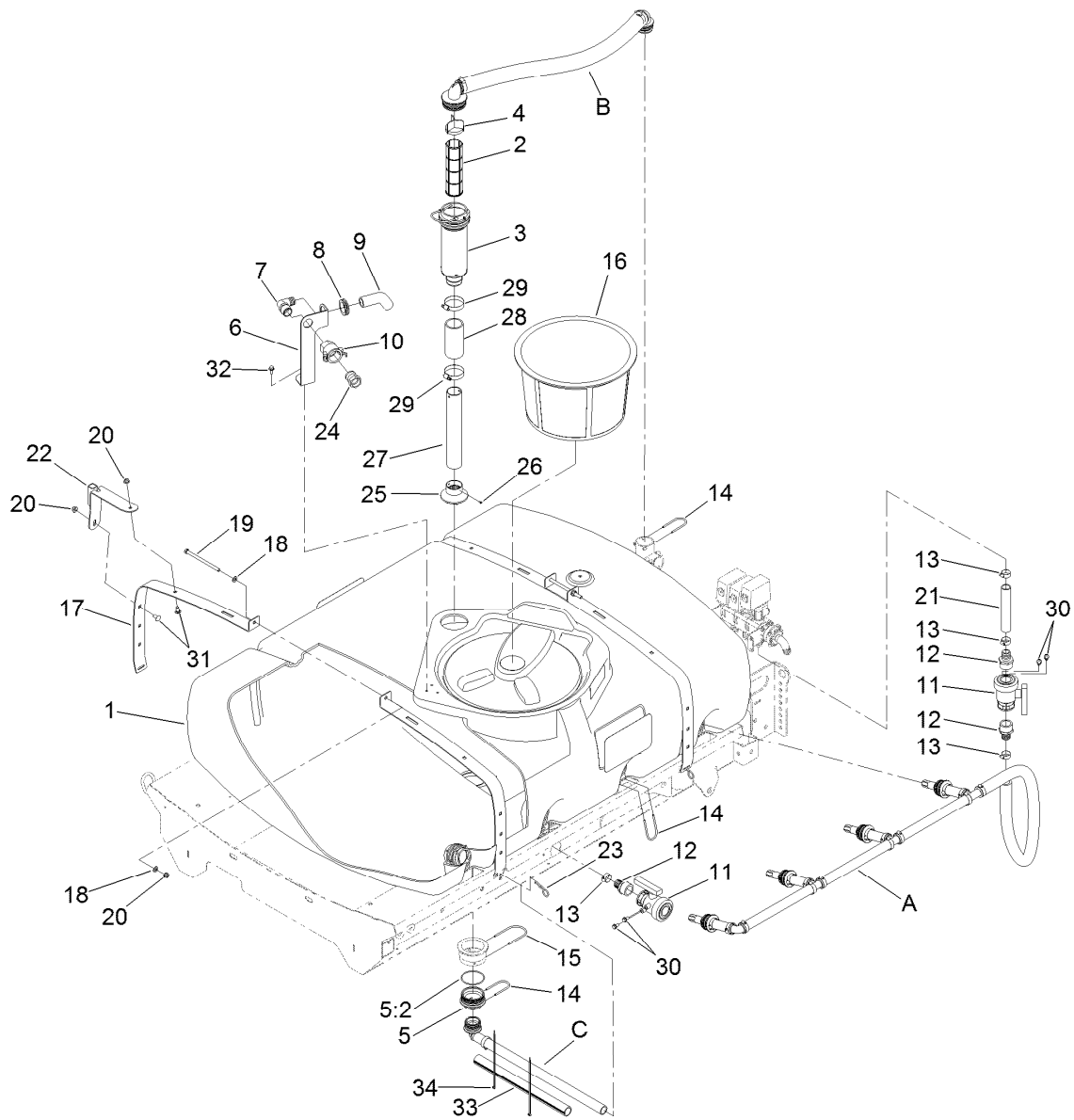
Pump Assembly No. 117-0713

Ref.	Part Number	Qty.	Description	Ref.	Part Number	Qty.	Description
1	120-0773	18	Bolt-Hex	15	120-0785	2	Plug
2	120-0774	6	Bolt-Hex	16	120-0786	2	Seal
3	120-0775	1	Bracket-Pump	17	120-0787	1	Foot-Pump
4	120-0776	6	Cover-Valve	18	120-0788	2	Bearing-Ball
5	120-0777	6	Bolt-Hex	19	99-0873	1	Fitting-Grease
6	120-0778	6	Disc-Diaphragm	20	120-0789	1	Shaft-Crank
7	120-0779	6	Diaphragm	21	120-0790	2	Spacer-Metal
8	120-0780	6	Disc-Backing, Diaphragm	22	120-0791	2	Bearing-Ball
9	120-0781	6	Rod-Connecting	23	120-0792	1	Spacer
10	99-0861	10	Valve-Pump	24	120-0793	2	Valve W/Hole
11	100-6651	12	O-Ring	25	120-0794	3	Bolt-Hex
12	120-0782	1	Casting-Pump	26	120-0795	1	Casting-Pump
13	120-0783	2	Seal-Oil	27	120-0796	1	Pump Kit
14	120-0784	4	Bolt-Hex				



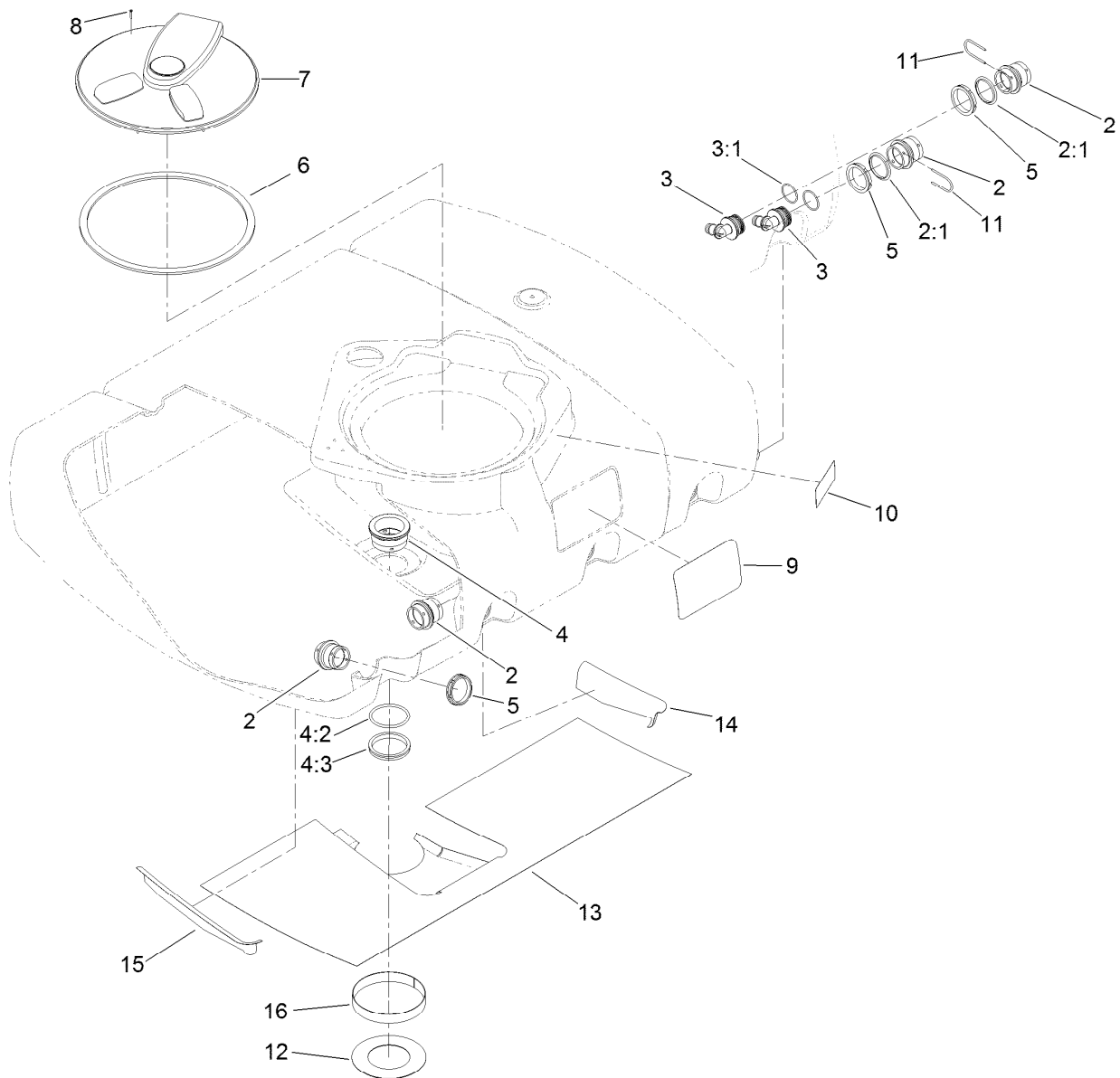
Driveshaft Assembly No. 125-0680

<i>Ref.</i>	<i>Part Number</i>	<i>Qty.</i>	<i>Description</i>
1	125-0679	1	Yoke-Shaft
2	54-9180	2	U-Joint Kit
2:1	62-3820	1	Fitting-Grease
3	125-8109	1	Shaft-Slip Yoke
4	94-7379	1	Tube-Yoke, Slip
5	99-4476	1	Spring Lock Yoke ASM
6	99-4477	1	Yoke Spring Lock Repair Kit
7	302-5	1	Fitting-Grease



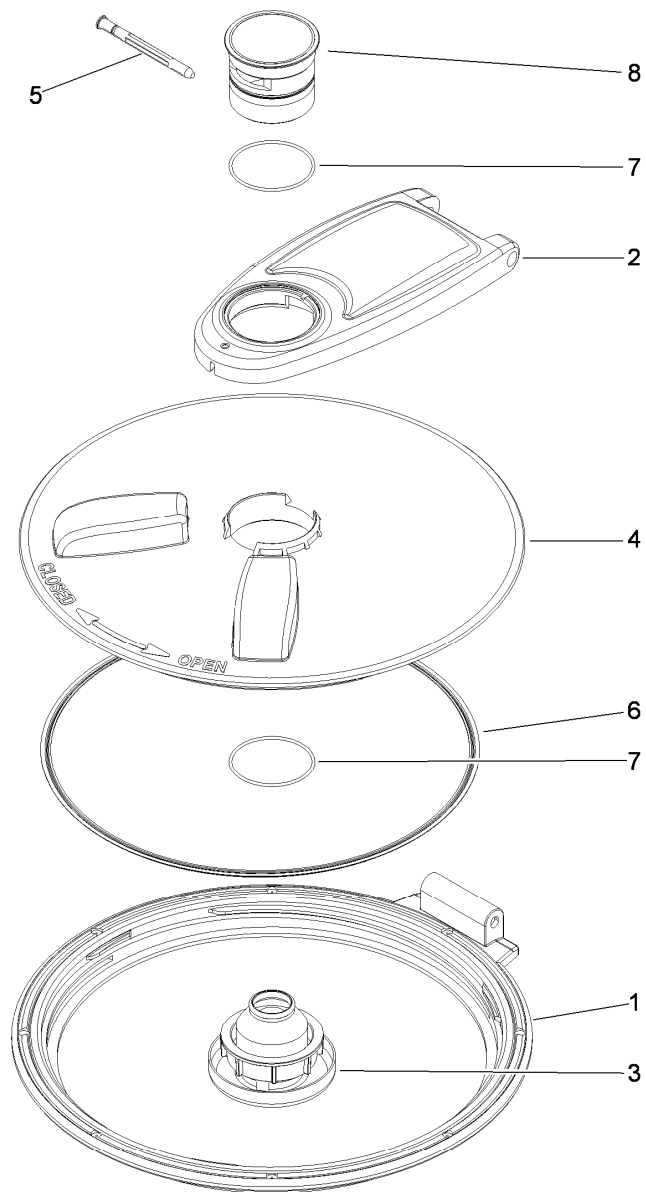
Tank Assembly

Ref.	Part Number	Qty.	Description	Ref.	Part Number	Qty.	Description
1	121-6518	1	200 Gallon Tank ASM	18	3256-24	4	Washer-Flat
2	100-8642	1	Screen-Suction	19	323-58	2	Bolt-TAP, HH
3	125-8006	1	Suction Filter ASM	20	104-8301	4	Nut-HF, NI
4	100-8641	1	Vane-Screen	21	125-0665	1	Nozzle-Hose, Agitation
5	117-7928	1	Adapter ASM	22	127-3920-03	1	Bracket-Storage
5:2	100-6989	1	O-Ring	23	3290-343	4	Pin-Hair
6	110-5082-03	1	Bracket-Anti Siphon	24	41316	1	Adapter-Quick
7	41140	1	Elbow	25	100-6714	1	Foot-Tube, Suction
8	110-5090	1	Grommet	26	108-3270	1	Screw-TAP
9	110-5088	1	Hose-Fill	27	125-8128	1	Tube-Suction
10	100-6779	1	Coupling-Female	28	100-8649	1	Hose-Suction
11	108-0069	2	Valve-Ball	29	2412-130	2	Clamp-Hose
12	110-5224	3	Fitting-Barbed, Straight	30	3234-7	4	Screw-HHF
13	2412-34	4	Clamp-Hose	31	3231-21	2	Screw-CARR
14	100-8635	6	Fork	32	3234-5	1	Screw-HHF
15	117-7996	1	Fork	33	127-9716	1	Shield-Hose, Drain
16	119-9419	1	Basket-Filter	34	116-0940	2	Tie-Cable
17	125-4081-03	4	Band-Tank				



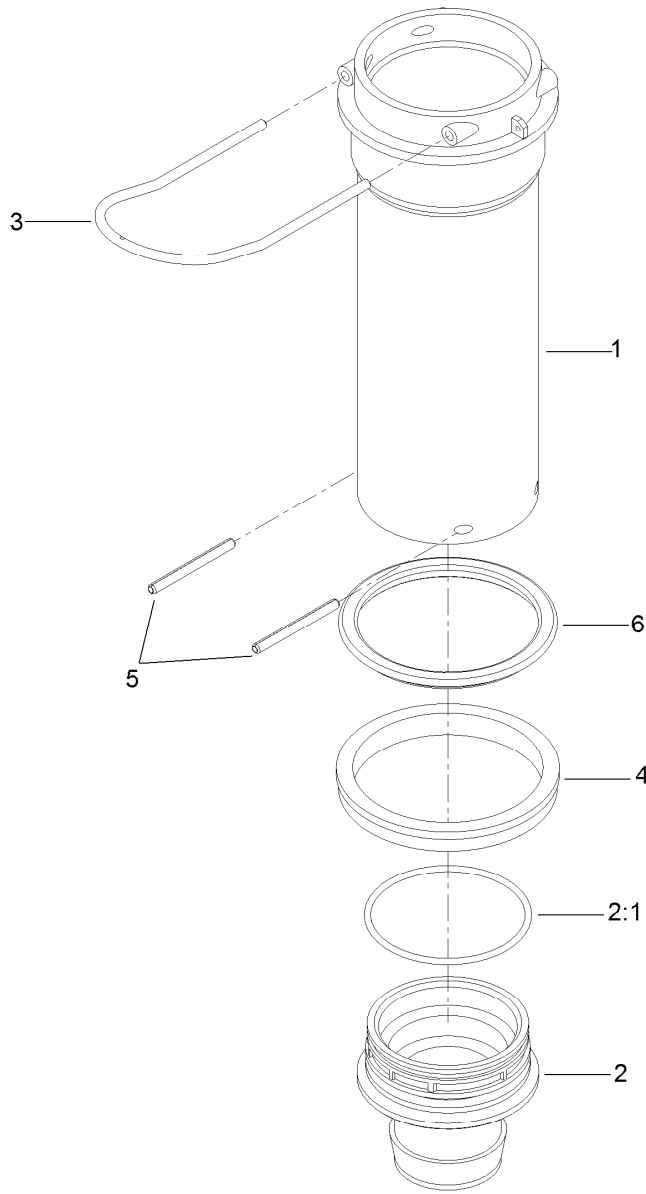
Tank Assembly No. 121-6518

<i>Ref.</i>	<i>Part Number</i>	<i>Qty.</i>	<i>Description</i>	<i>Ref.</i>	<i>Part Number</i>	<i>Qty.</i>	<i>Description</i>
2	108-3358	6	Fitting-Bulkhead	8	107-8635	8	Screw-PFH
2:1	107-2864	1	Gasket-Bulkhead	9	125-8064	2	Decal-Tank
3	106-4933	2	Hosebarb ASM	10	120-0622	1	Decal-Warning
3:1	100-8637	1	O-Ring	11	100-8635	2	Fork
4	117-7851	1	Bulkhead ASM	12	127-3967	1	Shield-Sump, Bottom
4:2	100-8646	1	Gasket-Bulkhead	13	127-3960	1	Shield-Sump, Center
4:3	100-8647	1	Nut-Bulkhead	14	127-3962	1	Shield-Sump, Rear
5	100-7051	6	Nut-Bulkhead	15	127-3961	1	Shield-Sump, Front
6	119-9378	1	Gasket-Lid, Tank	16	127-3988	1	Shield-Sump, Side
7	119-9380	1	Spray Tank Lid ASM				



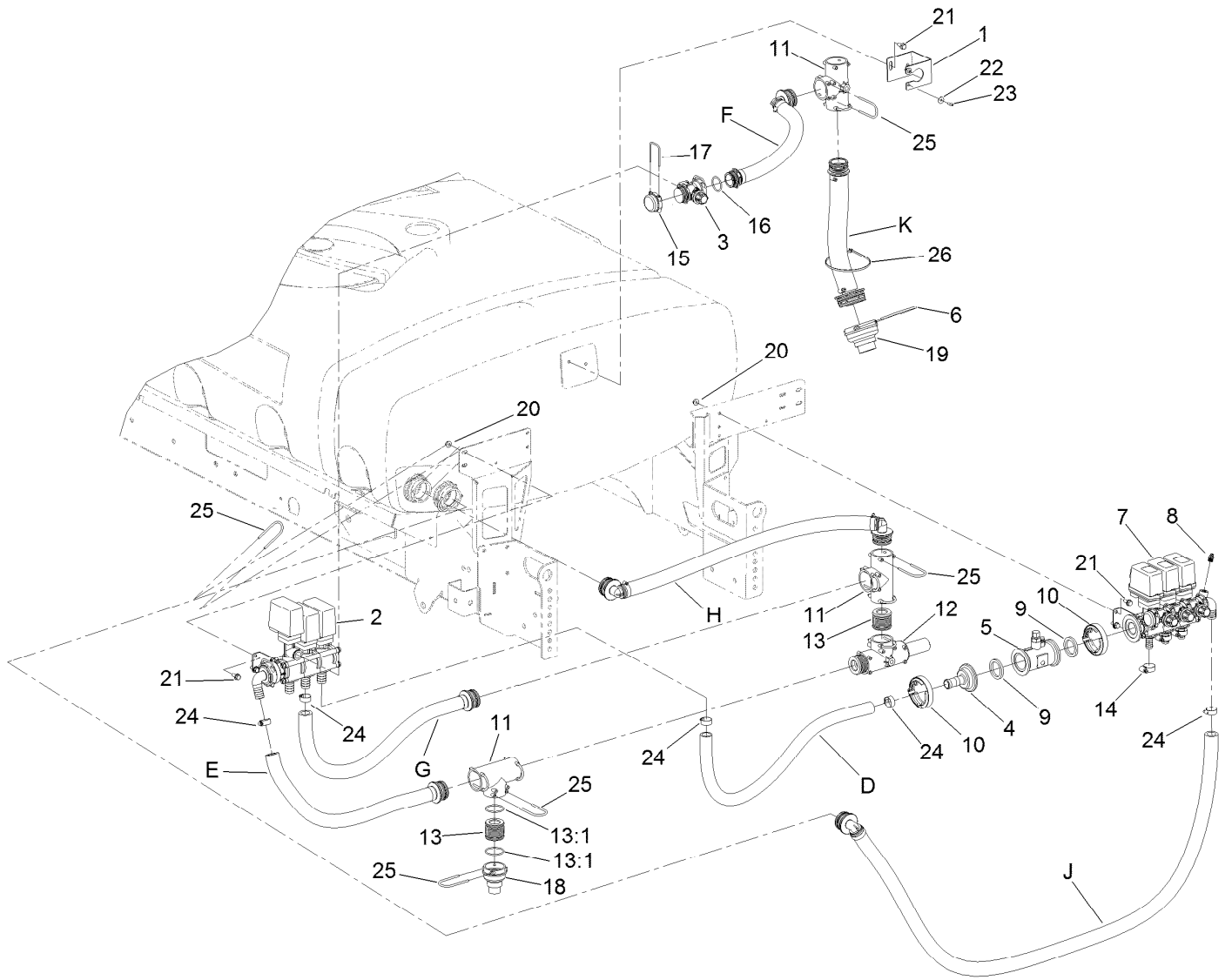
Spray Tank Lid Assembly No. 119-9380

<i>Ref.</i>	<i>Part Number</i>	<i>Qty.</i>	<i>Description</i>
1	119-9381	1	Ring-Lid
2	119-9382	1	Arm-Lid
3	119-9383	1	Vent-Lid
4	119-9384	1	Cover-Lid
5	119-9385	1	Pin-Pivot
6	106-5004	1	Seal-Lid
7	119-9386	2	O-Ring
8	119-9387	1	Cap-Lid



Suction Filter Assembly No. 125-8006

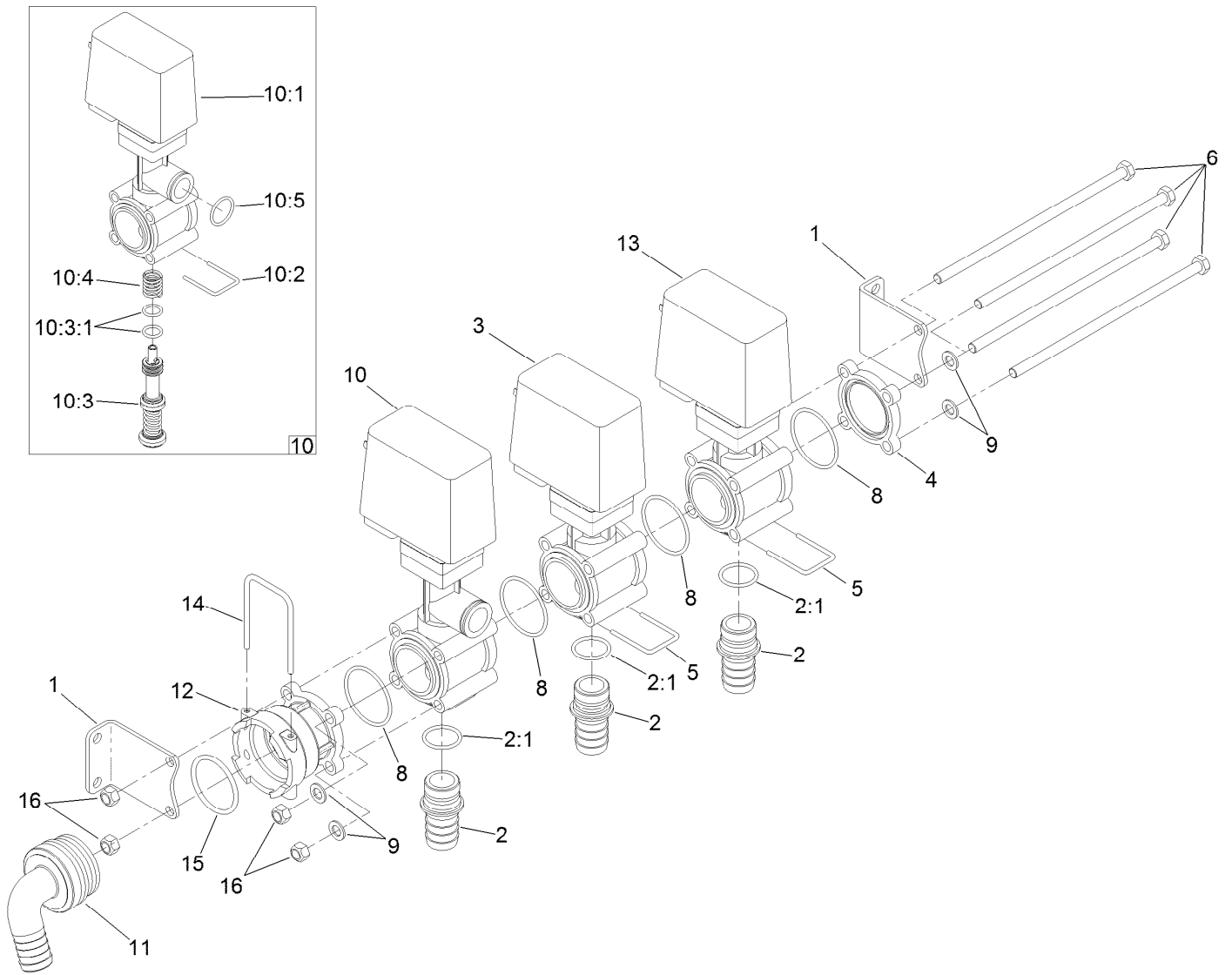
<i>Ref.</i>	<i>Part Number</i>	<i>Qty.</i>	<i>Description</i>
1	100-8643	1	Housing-Filter
2	106-4942	1	Hosebarb-Straight
2:1	100-6989	1	O-Ring
3	100-8636	1	Fork-Special
4	100-8647	1	Nut-Bulkhead
5	100-8644	2	Pin-Expansion
6	100-8646	1	Gasket-Bulkhead



Agitation, Bypass and Boom Manifold Assembly

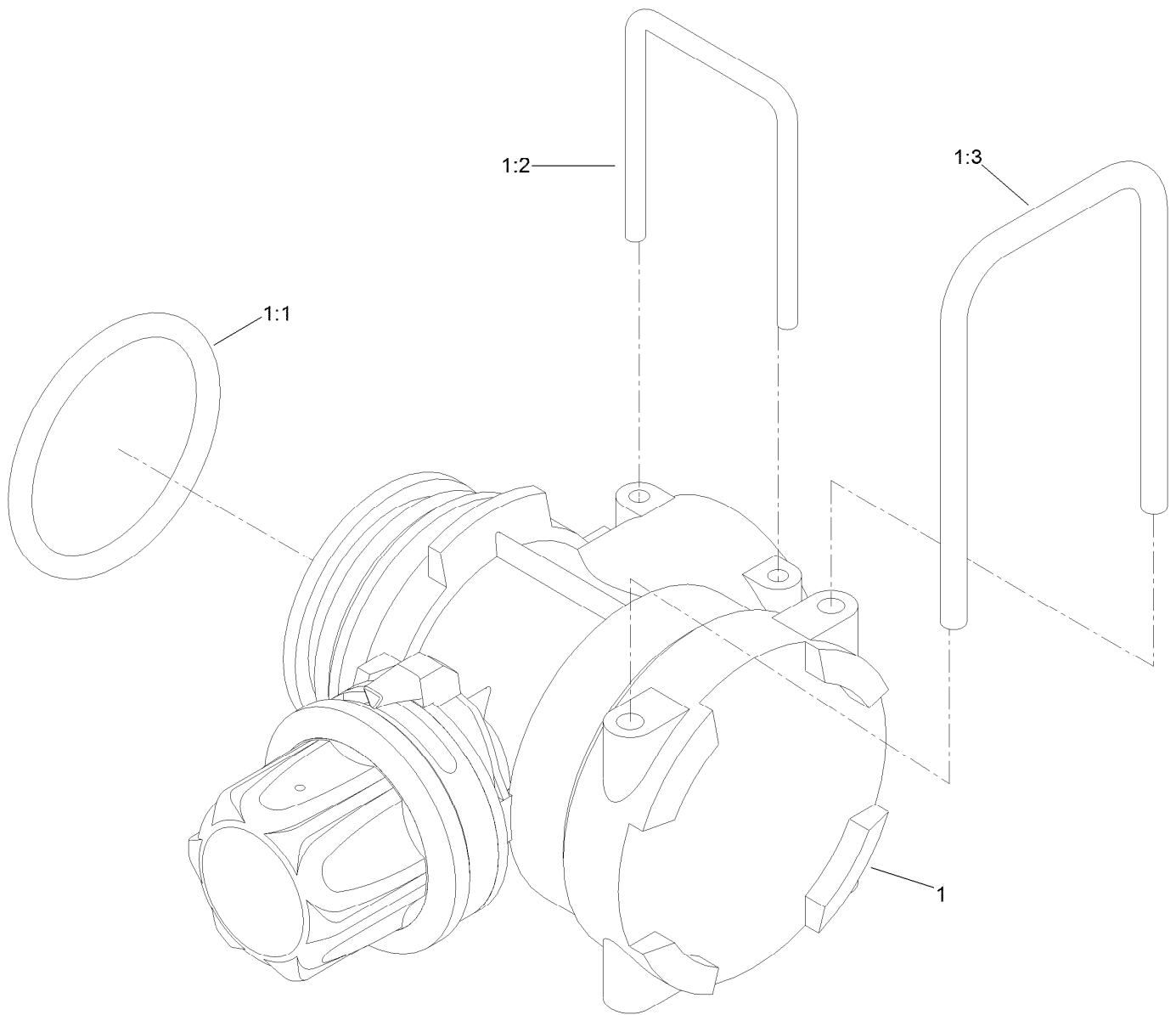
<i>Ref.</i>	<i>Part Number</i>	<i>Qty.</i>	<i>Description</i>
1	125-0719	1	Bracket-Tee
2	127-3906	1	Agitation Manifold ASM
3	125-0613	1	Bypass Manifold ASM
4	107-8704	1	Hosebarb
5	106-1038	1	Flow Meter ASM
6	117-7996	1	Fork
7	125-0616	1	Boom Manifold ASM
8	100-8674	1	Coupler-Tube
9	104-9090	2	Gasket
10	104-9089	2	Clamp-Screw, Worm
11	100-6704	3	Tee
12	117-7874	1	Relief Valve ASM
13	106-4947	2	Connector
13:1	100-8637	2	O-Ring

<i>Ref.</i>	<i>Part Number</i>	<i>Qty.</i>	<i>Description</i>
14	2412-129	3	Clamp-Hose
15	120-8596	1	Cap-Valve
16	119-4869	1	O-Ring
17	119-4863	1	Fork
18	117-7859	1	Fitting-Pump
19	117-7858	1	Fitting-Pump
20	104-8300	8	Nut-HF, NI
21	3234-47	10	Screw-HHF
22	3256-61	2	Washer-Flat
23	32144-32	2	Screw
24	2412-34	5	Clamp-Hose
25	100-8635	12	Fork
26	3290-379	1	Tie-Cable



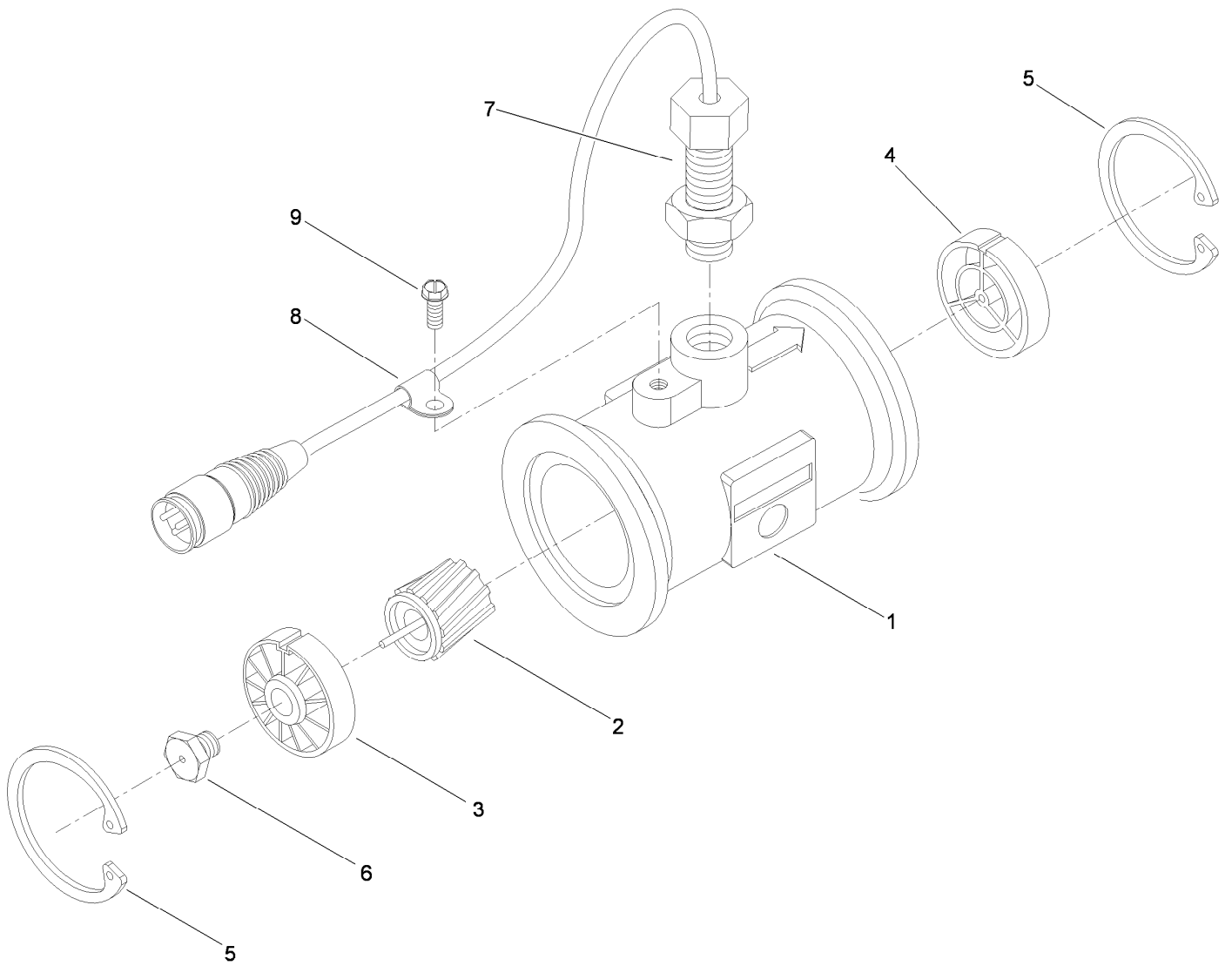
Agitation Manifold Valve Assembly

<i>Ref.</i>	<i>Part Number</i>	<i>Qty.</i>	<i>Description</i>	<i>Ref.</i>	<i>Part Number</i>	<i>Qty.</i>	<i>Description</i>
1	117-7975	2	Bracket Mounting Kit	10:2	119-4862	1	Fork
2	117-7992	3	Hosebarb	10:3	121-5054	1	Piston ASM
2:1	119-4868	1	O-Ring	10:3:1	121-5057	2	O-Ring-Piston
3	119-0465	1	Valve-Proportional	10:4	121-5056	1	Spring-Piston
4	119-0531	1	Adapter-Cover	10:5	119-4868	1	O-Ring
5	119-4862	2	Fork	11	125-0691	1	Hosebarb-Elbow
6	119-4867	4	Screw-HH	12	125-0692	1	Connector-Flange
8	119-4870	4	O-Ring	13	125-0993	1	Valve (W/O Bypass)
9	119-4871	4	Washer	14	125-4000	1	Fork
10	121-5053	1	Valve (W/Bypass)	15	125-4117	1	O-Ring
10:1	119-9397	1	Motor Valve Cover ASM	16	33024-00	4	Nut-Lock, NI



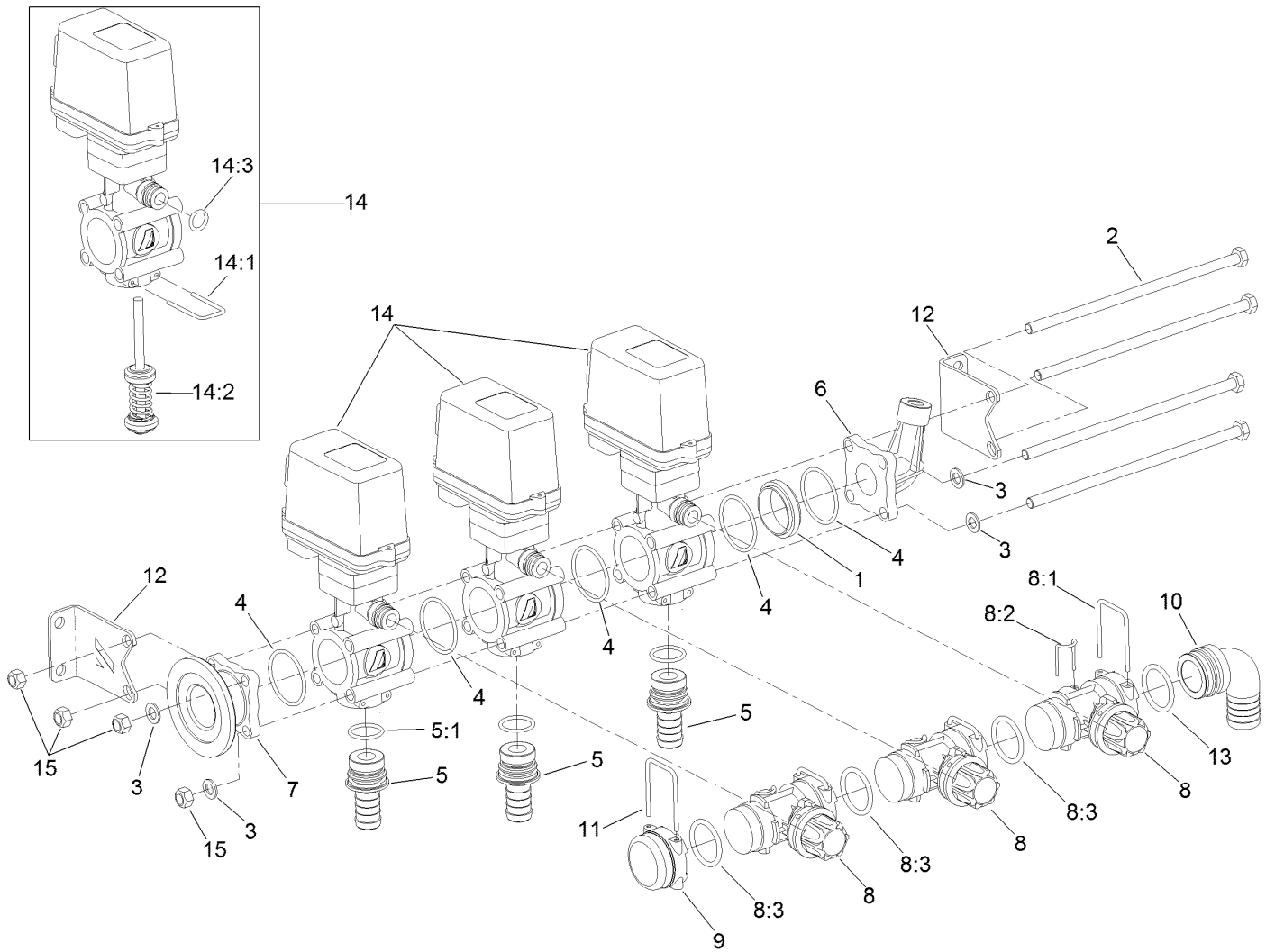
Bypass Manifold Assembly No. 125-0613

<i>Ref.</i>	<i>Part Number</i>	<i>Qty.</i>	<i>Description</i>
1	120-8595	1	Valve-Bypass
1:1	119-4869	1	O-Ring
1:2	119-4862	1	Fork
1:3	119-4863	1	Fork



Flow Meter Assembly No. 106-1038

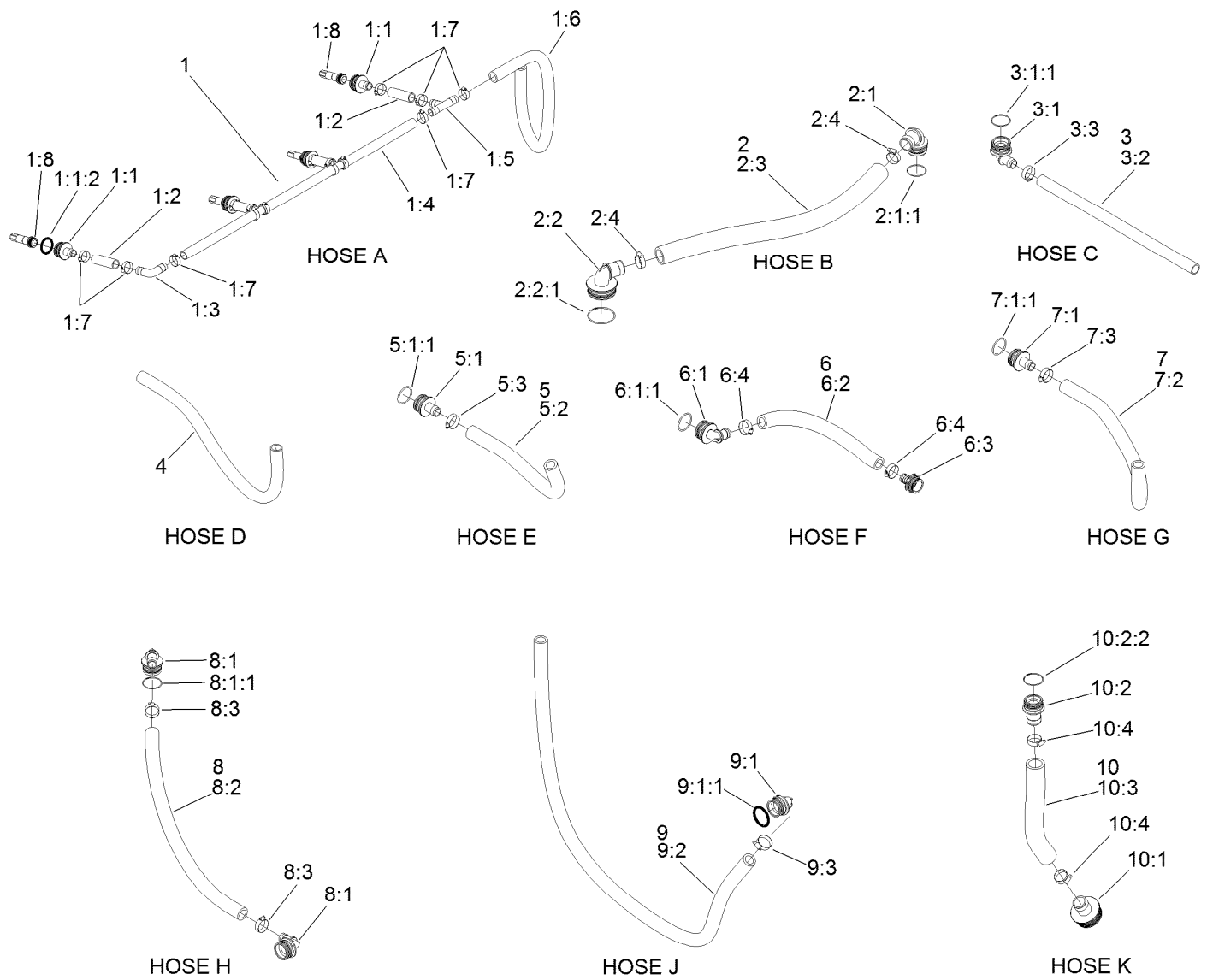
<i>Ref.</i>	<i>Part Number</i>	<i>Qty.</i>	<i>Description</i>
1	106-1042	1	Body-Meter, Flow
2	104-9059	1	Rotor / Magnet ASM
3	104-9060	1	Upstream Hub And Bearing ASM
4	104-9061	1	Downstream Hub ASM
5	104-9062	2	Ring-Retaining, Internal
6	42480	1	Stud-Turbine (W / Bearing)
7	104-9065	1	External Sensor ASM
8	104-9063	1	Clamp-Cable
9	104-9064	1	Screw-HWHTF



Boom Manifold Assembly No. 125-0616

<i>Ref.</i>	<i>Part Number</i>	<i>Qty.</i>	<i>Description</i>
1	119-0453	1	Adapter-Male-Male
2	119-4867	4	Screw-HH
3	119-4871	4	Washer
4	119-4974	5	O-Ring
5	121-5102	3	Hosebarb
5:1	119-4975	1	O-Ring
6	121-5103	1	Port-Pressure Gauge
7	121-5104	1	Flange-Female
8	121-5105	3	Valve-Bypass
8:1	121-5108	1	Fork
8:2	121-5110	1	Fork

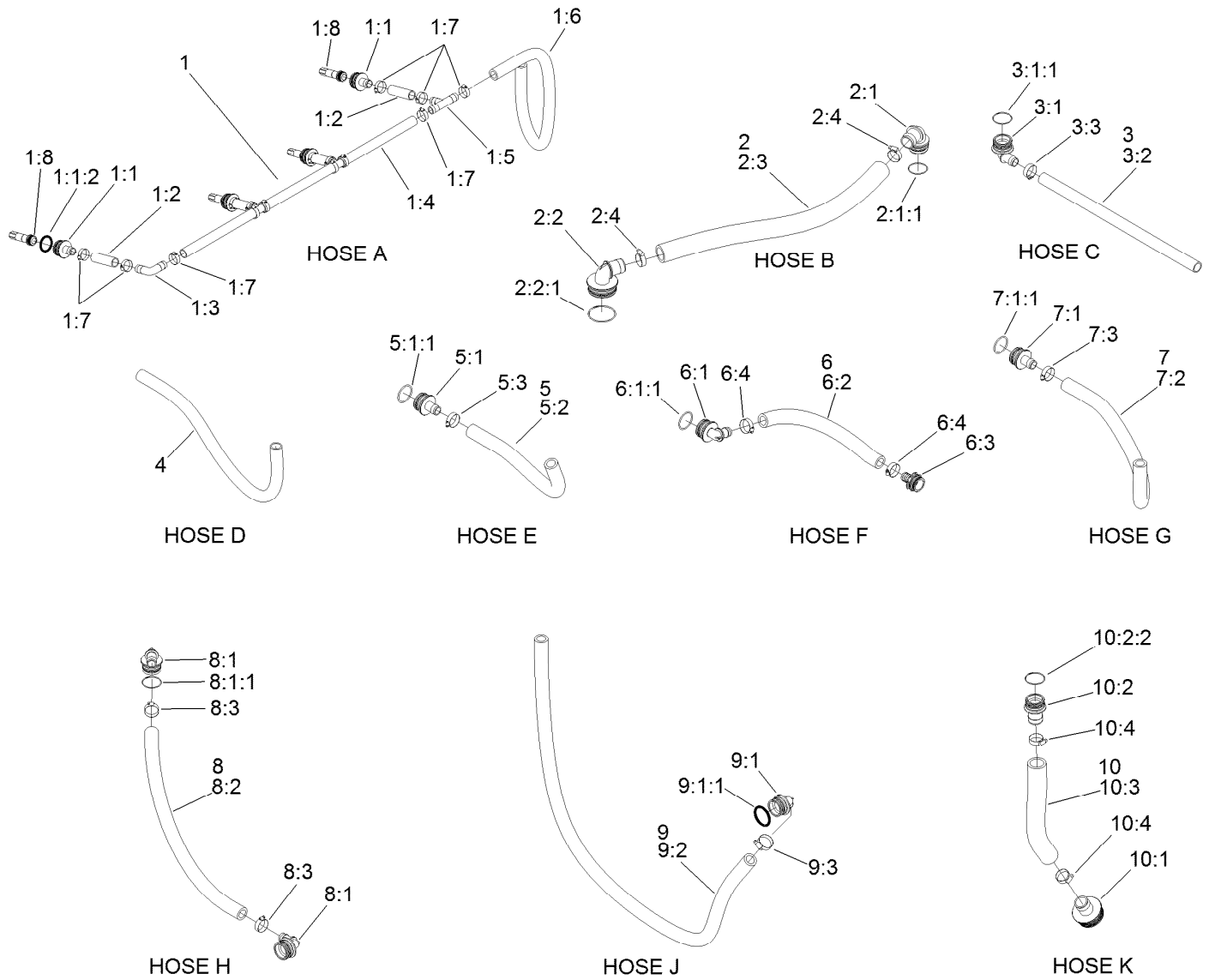
<i>Ref.</i>	<i>Part Number</i>	<i>Qty.</i>	<i>Description</i>
8:3	121-5114	1	O-Ring
9	121-5106	1	Cap-Bypass Valve
10	121-5107	1	Elbow-Hosebarb
11	121-5108	1	Fork
12	121-5109	2	Bracket Mounting Kit
13	121-5114	1	O-Ring
14	125-4120	3	Valve (W/Bypass)
14:1	119-4901	1	Fork
14:2	121-5116	1	Piston-Arag Valve
14:3	121-5123	1	O-Ring
15	33024-00	4	Nut-Lock, NI



Hose Assembly

Ref.	Part Number	Qty.	Description	Ref.	Part Number	Qty.	Description
1		1	Agitation Hose ASM ●	3:1	106-4933	1	Hosebarb ASM
1:1	117-7978	4	Hosebarb ASM	3:1:1	100-8637	1	O-Ring
1:1:2	100-8637	1	O-Ring	3:2	125-0657	1	Hose-Drain
1:2	125-0656	4	Hose-Agitation Nozzle	3:3	2412-34	1	Clamp-Hose
1:3	117-7867	1	Elbow-Hosebarb	4	120-0737	1	Hose-Bba Supply
1:4	117-7862	3	Hose-Main Agitation	5		1	Supply Hose ASM ●
1:5	117-7866	3	Tee-Hosebarb	5:1	106-4932	1	Hosebarb-Straight
1:6	119-0542	1	Hose-Bypass, Agitation	5:1:1	100-8637	1	O-Ring
1:7	2412-34	15	Clamp-Hose	5:2	125-0651	1	Hose-Supply
1:8	117-7853	4	Bushing-Nozzle	5:3	2412-34	1	Clamp-Hose
2		1	Upper Suction Hose ASM ●	6		1	Relief Bypass Hose ASM ●
2:1	110-5156	1	Suction Elbow ASM	6:1	110-5156	1	Suction Elbow ASM
2:1:1	100-8637	1	O-Ring	6:1:1	100-8637	1	O-Ring
2:2	106-4952	1	Hosebarb-90 DEG	6:2	125-0654	1	Hose-Upper Suction
2:2:1	100-6989	1	O-Ring	6:3	125-0617	1	Hosebarb-Str, T5 X 1"
2:3	125-0655	1	Hose-Relief Bypass	6:4	41327	2	Clamp-Hose
2:4	41327	2	Clamp-Hose	7		1	Rate Return Hose ASM ●
3		1	Drain Hose ASM ●	7:1	106-4932	1	Hosebarb-Straight

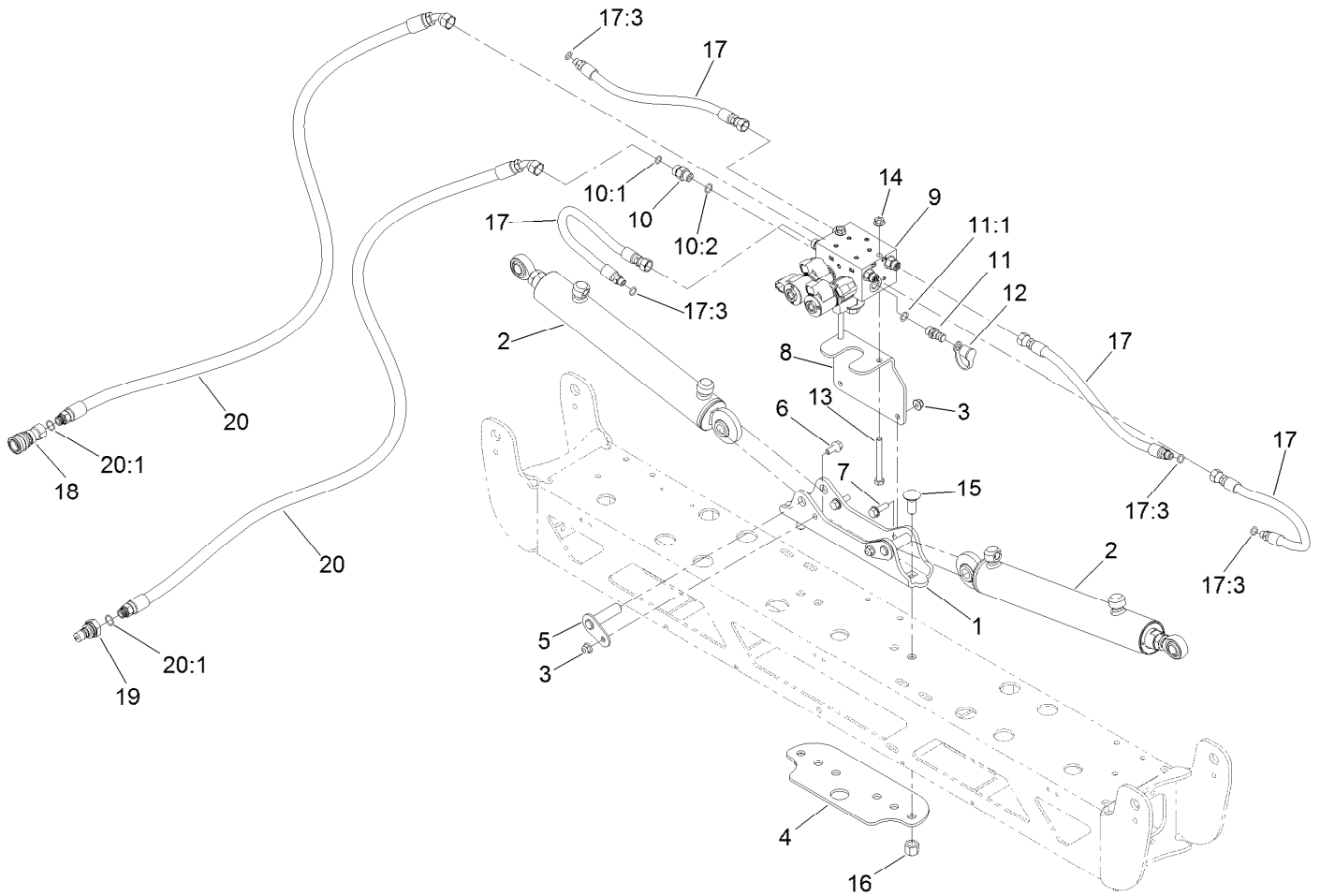
● Not serviced separately



Hose Assembly (continued)

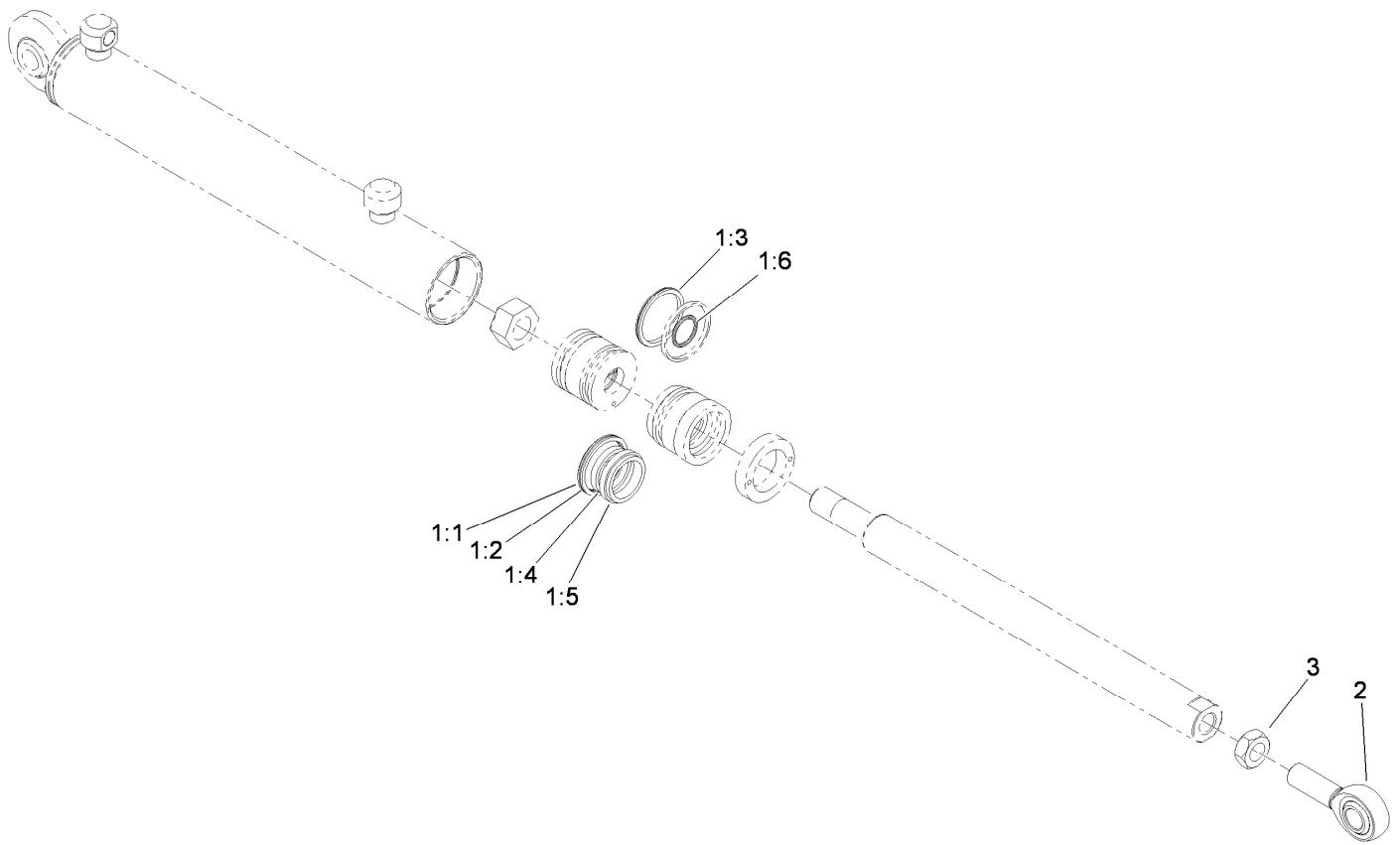
Ref.	Part Number	Qty.	Description	Ref.	Part Number	Qty.	Description
7:1:1	100-8637	1	O-Ring	9:1:1	100-8637	1	O-Ring
7:2	125-0641	1	Hose-Master Boom	9:2	119-0537	1	Hose-Bypass
7:3	2412-34	1	Clamp-Hose	9:3	2412-34	1	Clamp-Hose
8		1	Regulating Hose ASM ●	10		1	Lower Suction Hose ASM ●
8:1	106-4933	2	Hosebarb ASM	10:1	117-7965	1	Hosebarb ASM
8:1:1	100-8637	1	O-Ring	10:2	117-7982	1	Hosebarb ASM
8:2	120-0737	1	Hose-Bba Supply	10:2:2	100-8637	1	O-Ring
8:3	2412-34	2	Clamp-Hose	10:3	125-0653	1	Hose-Lower Suction
9		1	Boom Bypass Hose ASM ●	10:4	41327	2	Clamp-Hose
9:1	106-4933	1	Hosebarb ASM				

● Not serviced separately



Boom Lift Hydraulic Assembly

Ref.	Part Number	Qty.	Description	Ref.	Part Number	Qty.	Description
1	119-4856-03	1	Plate-Mount, Cylinders	11:1	237-42	1	O-Ring
2	117-0701	2	Hydraulic Cylinder ASM	12	354-79	1	Cap-Dust
3	104-8300	4	Nut-HF, NI	13	322-14	2	Screw-HH
4	108-3469-03	1	Plate-Washer	14	32128-26	2	Nut-Flange
5	112-7884	2	Pin-Pivot	15	110-5067	2	Screw-CARR
6	110-5053	2	Screw-HHF	16	3296-23	2	Nut-Lock, NI
7	3234-29	2	Screw-HHF	17	119-4859	4	Hose ASM
8	117-0711-03	1	Plate-Mount, Boom Valve	17:3	237-78	1	O-Ring
9	117-0702	1	On-Off Boom Lift Valve ASM	18	106-7968	1	Coupler-Quick, Female
10	340-2	2	Fitting-Straight	19	106-7969	1	Coupler-Quick, Male
10:1	237-22	1	O-Ring	20	127-9717	2	Hose ASM
10:2	237-42	1	O-Ring	20:1	237-42	1	O-Ring
11	59-7410	1	Fitting-Diagnostic				

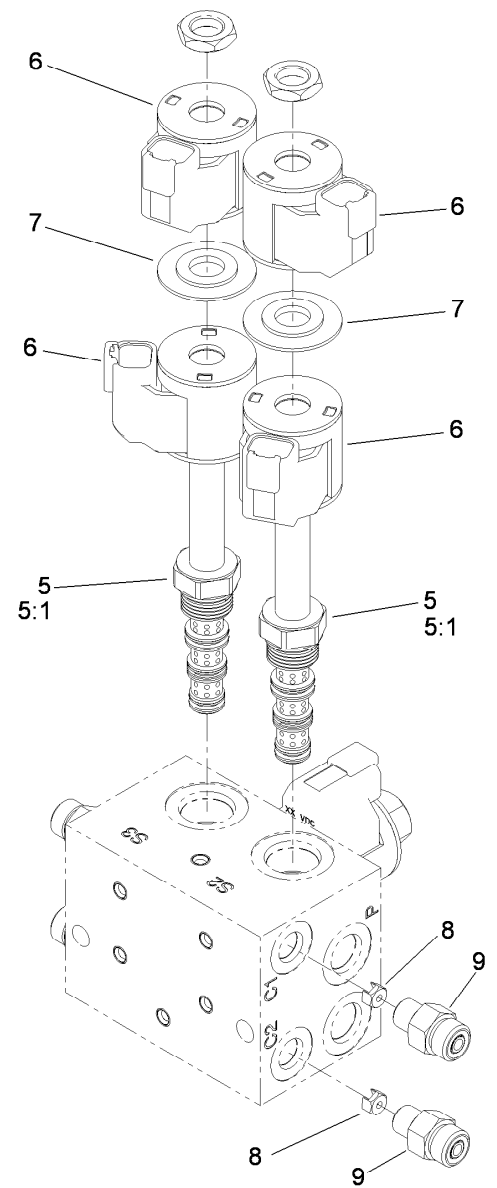
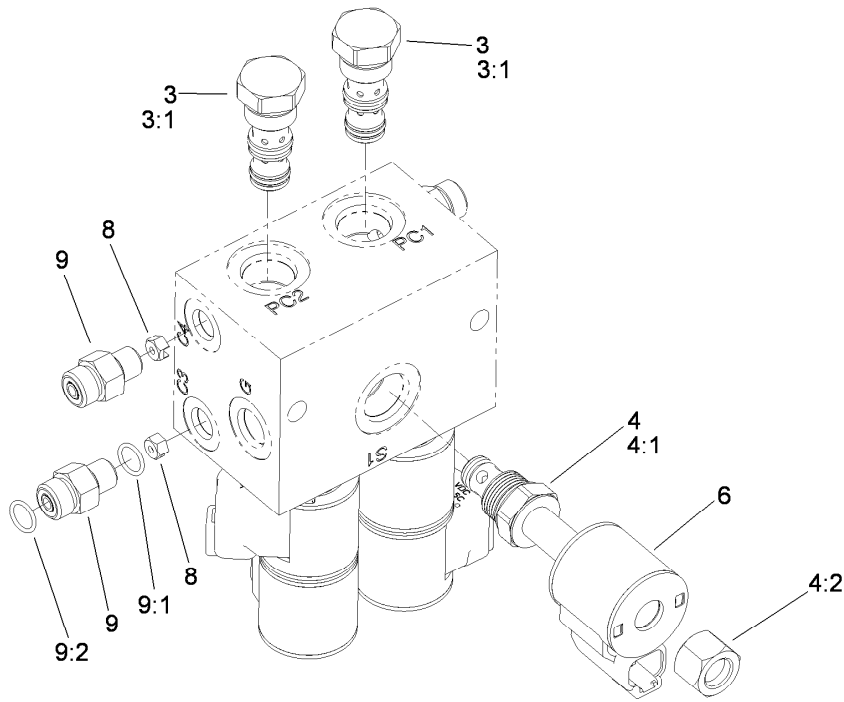


Hydraulic Cylinder Assembly No. 117-0701

<i>Ref.</i>	<i>Part Number</i>	<i>Qty.</i>	<i>Description</i>
1	119-8026	1	Seal Kit ●
1:1		1	O-Ring ■
1:2		1	Ring-Backup ■
1:3		1	Bp Seal ■
1:4		1	Bs Seal ■
1:5		1	Dust Seal ■
1:6		1	O-Ring ■
2	119-8027	1	Rod End
3	3220-6	1	Nut-Jam

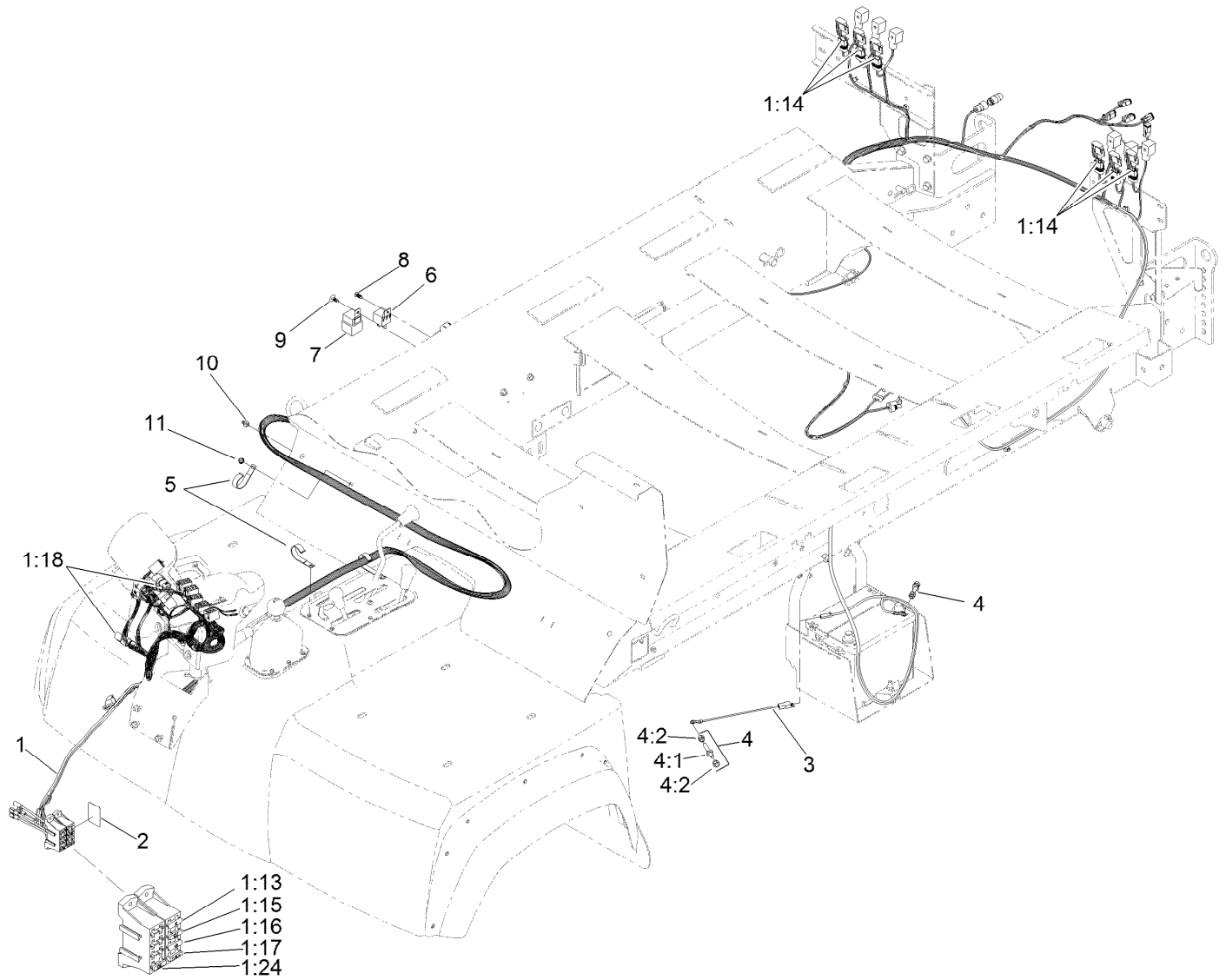
● Not illustrated

■ Not serviced separately



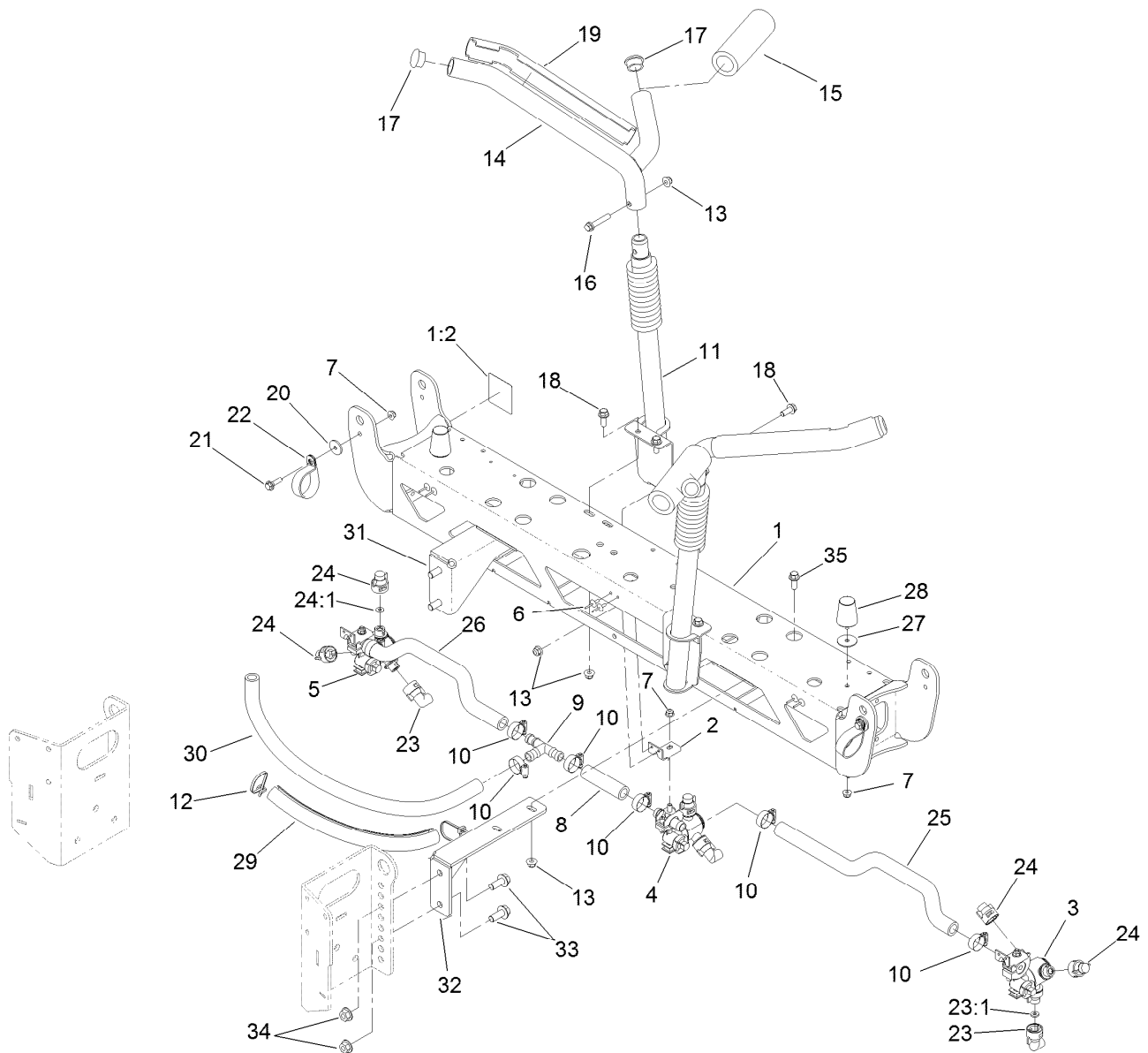
On-Off Boom Lift Valve No. 117-0702

Ref.	Part Number	Qty.	Description
3	120-2588	2	Valve-Check
3:1	120-0886	1	Seal Kit
4	107-7517	1	Valve-Solenoid
4:1	105-9156	1	Seal Kit
4:2	107-7812	1	Nut-Solenoid
5	120-2587	2	Valve-Solenoid
5:1	112-6520	1	Seal Kit
6	119-8036	5	Coil
7	120-2586	2	Spacer-Coil
8	120-2585	4	Orifice, .035
9	340-92	4	Fitting-Straight
9:1	237-78	1	O-Ring
9:2	237-21	1	O-Ring



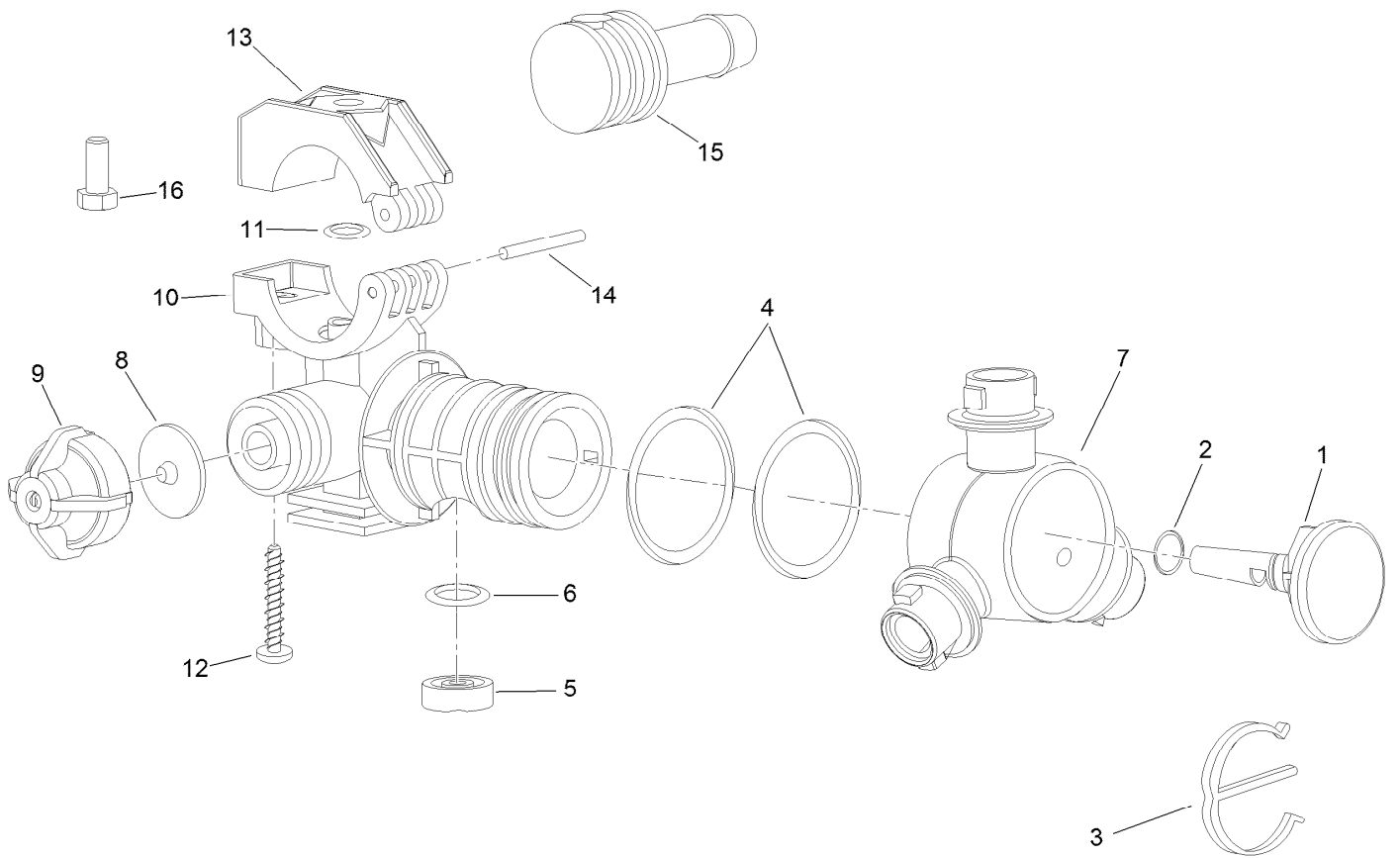
Wire Harness Assembly

<i>Ref.</i>	<i>Part Number</i>	<i>Qty.</i>	<i>Description</i>	<i>Ref.</i>	<i>Part Number</i>	<i>Qty.</i>	<i>Description</i>
1	121-6573	1	Harness-Wire	4:1	32180-107	1	Bolt-Battery Clamp-Double Ended Stud
1:13	94-6710	1	Fuse-2 Amp	4:2	32180-108	2	Nut-Battery Clamp
1:14	110928	6	Fuse-Blade, 5 Amp	5	106-1429	3	Clamp-J
1:15	114241	1	Fuse-Blade, 7.5 Amp	6	99-7435	1	Relay-Power
1:16	218-578	1	Fuse-Blade, 10 Amp	7	99-7430	1	Relay
1:17	109355	1	Fuse-Blade, 15 Amp	8	114-4899	1	Plug-Plastic
1:18	32180-043	2	Resistor-120 Ohm	9	104-0395	1	Plug-Plastic
1:24	109103	1	Fuse-Blade, 30 Amp	10	3234-13	1	Screw-HHF
2	127-3966	1	Decal-Fuse Block	11	104-7201	1	Nut-HF
3	108-9455	1	Harness-Wire, Fusible Link				
4	112-9921	2	Bolt ASM				



Center Boom Mount Assembly

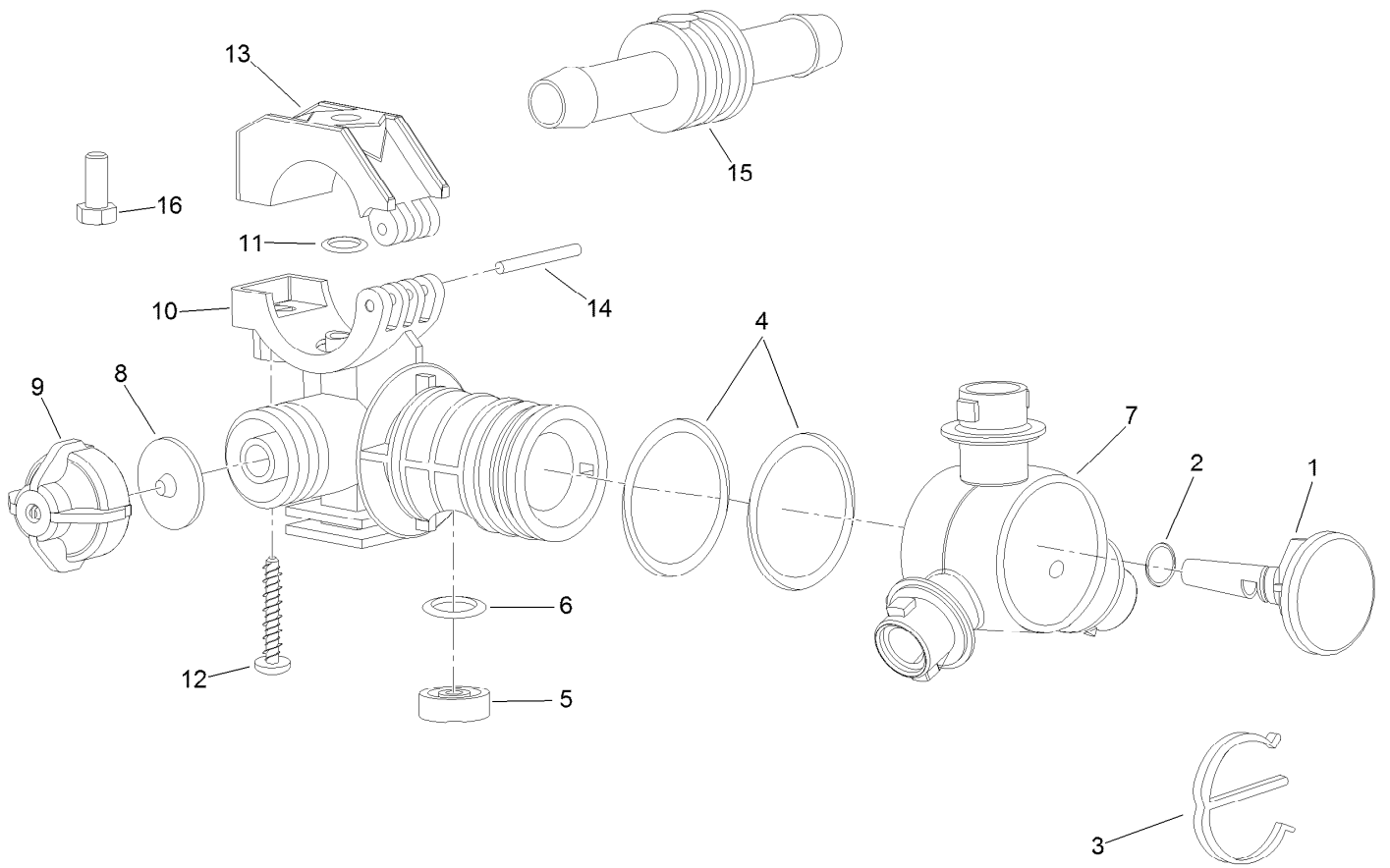
Ref.	Part Number	Qty.	Description	Ref.	Part Number	Qty.	Description
1	121-5094	1	Frame ASM	19	108-3495	2	Cover-Slide
1:2	120-0617	2	Decal-Warning, Pinch, Crush	20	108-3743	2	Washer
2	107-8775	3	Bracket-Mount, Nozzle	21	108-3744	2	Screw-Shoulder
3	108-3725	1	LH Single Body Turret ASM	22	114-9566	2	Clamp-R
4	108-3727	1	Double Turret Body ASM	23	95-9186	3	Cap
5	108-3726	1	RH Single Body Turret ASM	23:1	40998	1	Seat-Gasket
6	3269-18	6	Rivet-Blind	24	95-9187	6	Cap-Blank
7	104-8300	7	Nut-HF, NI	24:1	40998	1	Seat-Gasket
8	108-3717	1	Hose-Boom	25	108-3735	1	Hose-Boom, Center (LH)
9	108-3439	1	Tee	26	108-3718	1	Hose-Boom, Center (RH)
10	2412-129	7	Clamp-Hose	27	3256-68	2	Washer-Flat
11	108-3472-03	2	Cradle-Lower	28	110-5070	2	Bumper
12	3290-378	2	Tie-Cable	29	127-3923RT02	1	Conduit
13	104-8301	12	Nut-HF, NI	30	125-8072	1	Hose-Boom, Center
14	108-3476-03	2	Cradle-Upper	31	117-0652-03	1	Bracket-Boom Mount, LH
15	108-3457	2	Spacer	32	117-0651-03	1	Bracket-Boom Mount, RH
16	108-3742	2	Screw-HHF	33	110-5057	4	Capscrew-HHF
17	108-3489	4	Cap-Tube	34	108-3745	4	Nut-HHF, Whiz
18	110-5052	6	Screw-HHF	35	110-5050	4	Screw-HHF



LH Single Turret Body Assembly No. 108-3725

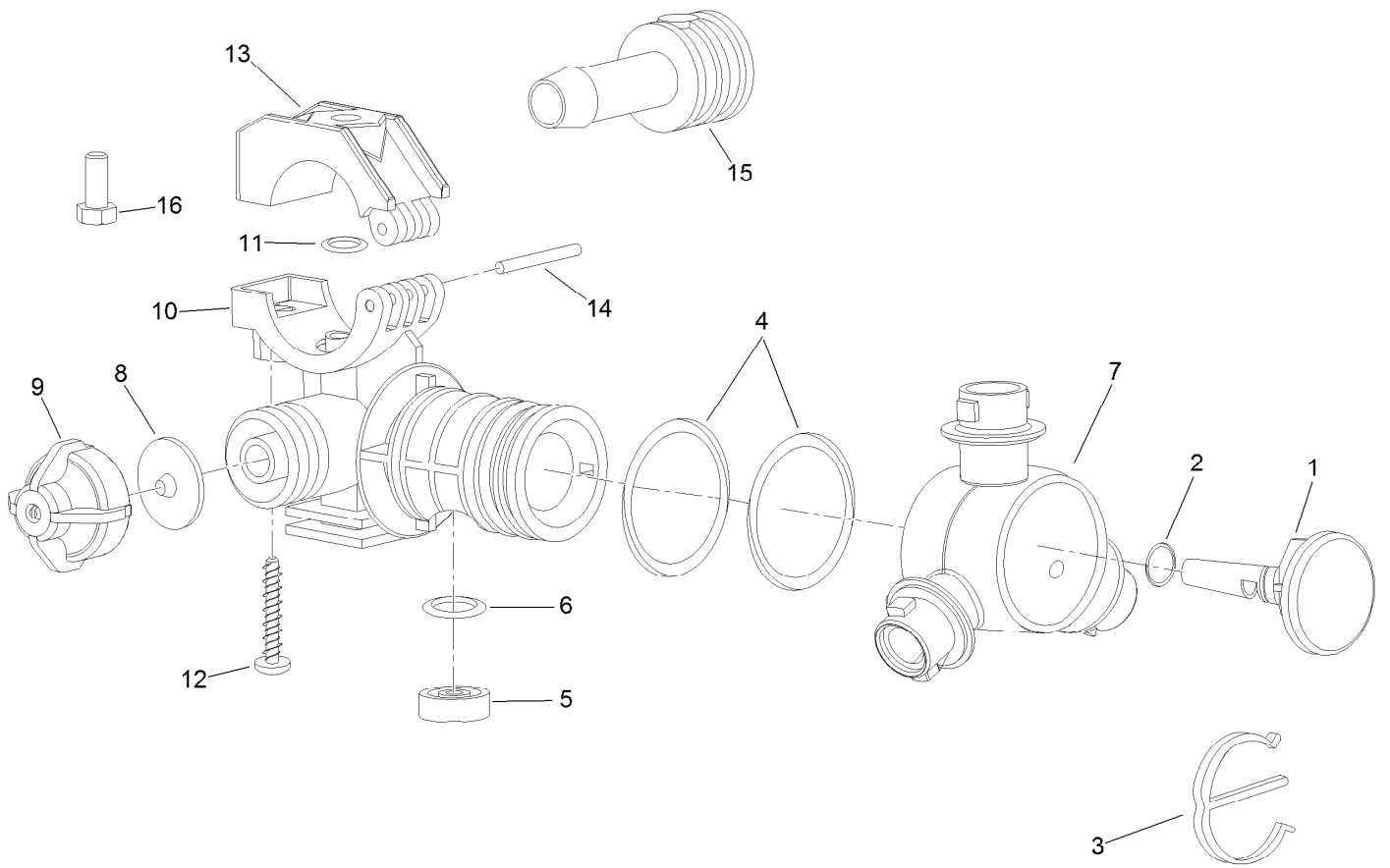
<i>Ref.</i>	<i>Part Number</i>	<i>Qty.</i>	<i>Description</i>
1	95-9200	1	Plug
2	95-9198	1	O-Ring
3	95-9197	1	E-Clip
4	95-9199	2	O-Ring
5	108-3264	1	Seal-Viton
6	108-3265	1	O-Ring-Viton
7	95-9196	1	Turret
8	41003	1	Diaphragm

<i>Ref.</i>	<i>Part Number</i>	<i>Qty.</i>	<i>Description</i>
9	95-9193	1	Cap-Diaphragm
10	95-9192	1	Body-Split Eyelet
11	95-9191	1	O-Ring
12	99-0811	1	Screw-Clamp
13	99-0812	1	Clamp-Upper
14	99-0814	1	Pin-Pivot
15	95-9201	1	Shank-Hose
16	322-3	1	Screw-HH



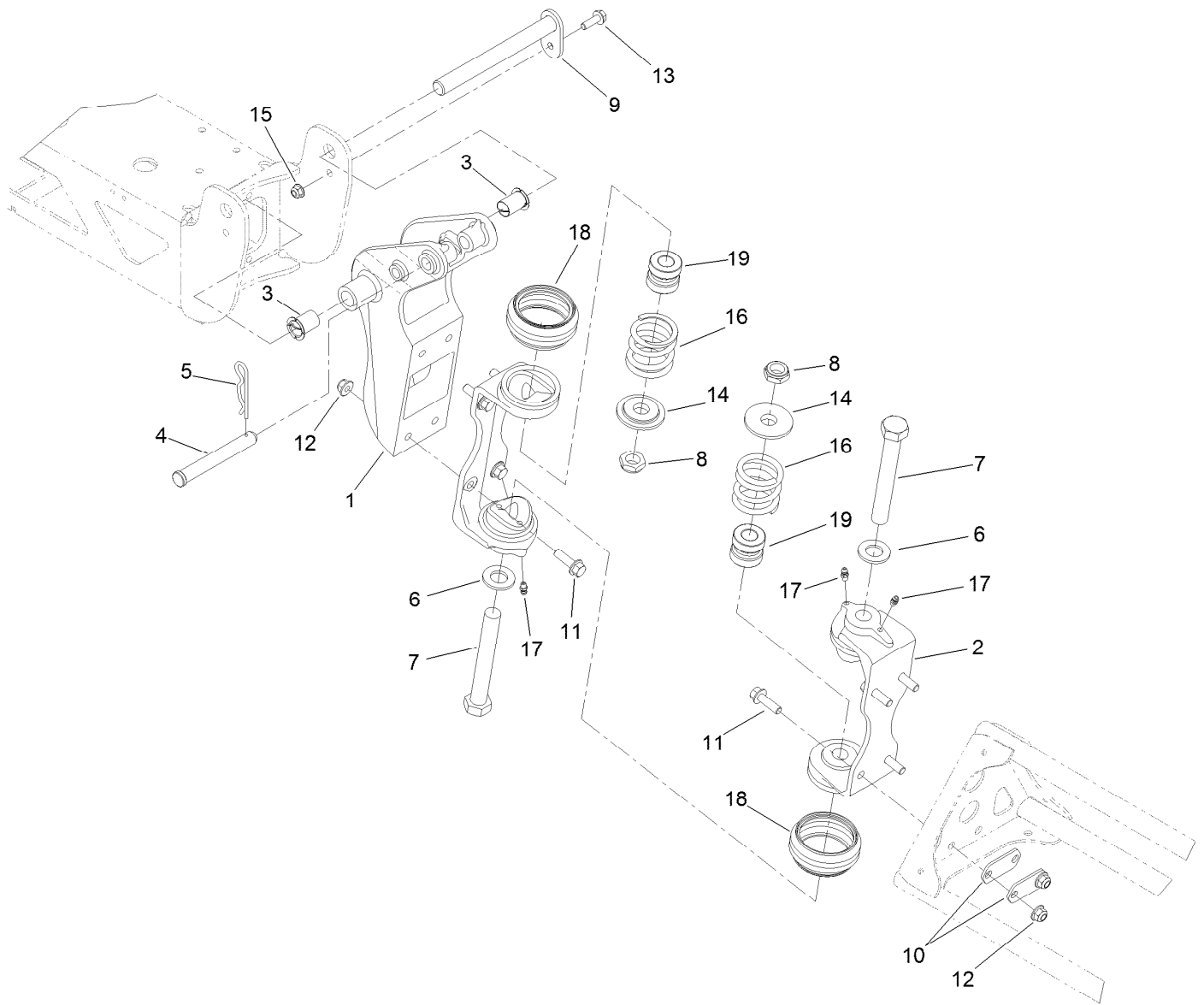
Double Turret Body Assembly No. 108-3727

<i>Ref.</i>	<i>Part Number</i>	<i>Qty.</i>	<i>Description</i>	<i>Ref.</i>	<i>Part Number</i>	<i>Qty.</i>	<i>Description</i>
1	95-9200	1	Plug	9	95-9193	1	Cap-Diaphragm
2	95-9198	1	O-Ring	10	95-9192	1	Body-Split Eyelet
3	95-9197	1	E-Clip	11	95-9191	1	O-Ring
4	95-9199	2	O-Ring	12	99-0811	1	Screw-Clamp
5	108-3264	1	Seal-Viton	13	99-0812	1	Clamp-Upper
6	108-3265	1	O-Ring-Viton	14	99-0814	1	Pin-Pivot
7	95-9196	1	Turret	15	95-9202	1	Shank-Hose
8	41003	1	Diaphragm	16	322-3	1	Screw-HH



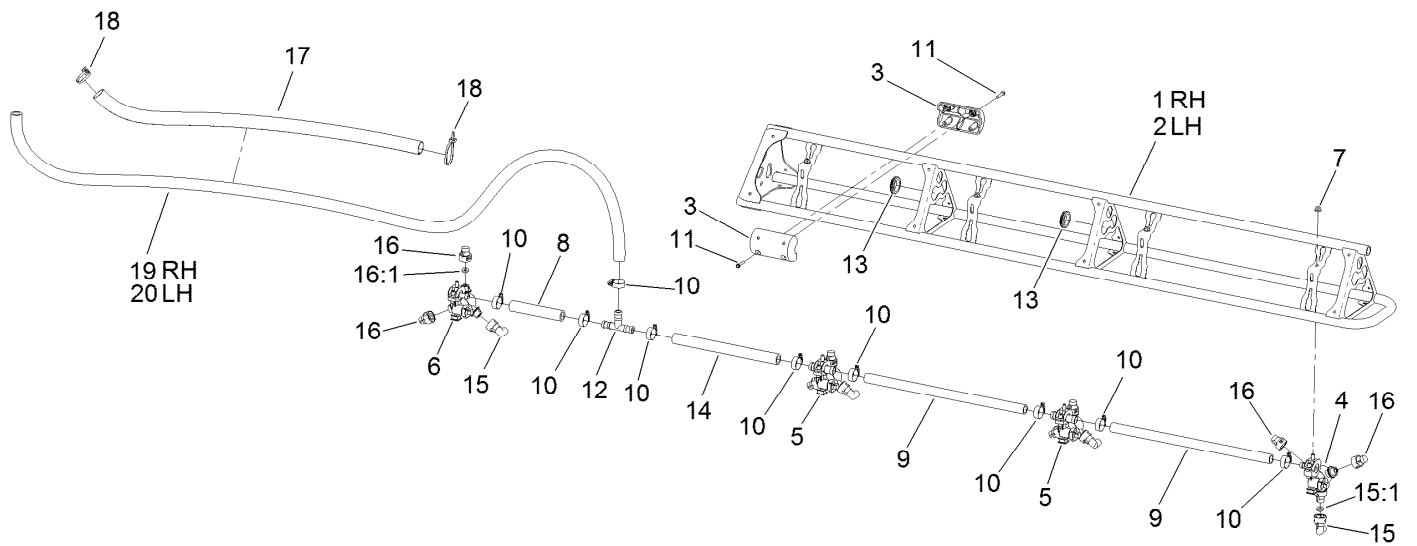
RH Single Body Turret Assembly No. 108-3726

<i>Ref.</i>	<i>Part Number</i>	<i>Qty.</i>	<i>Description</i>	<i>Ref.</i>	<i>Part Number</i>	<i>Qty.</i>	<i>Description</i>
1	95-9200	1	Plug	9	95-9193	1	Cap-Diaphragm
2	95-9198	1	O-Ring	10	95-9192	1	Body-Split Eyelet
3	95-9197	1	E-Clip	11	95-9191	1	O-Ring
4	95-9199	2	O-Ring	12	99-0811	1	Screw-Clamp
5	108-3264	1	Seal-Viton	13	99-0812	1	Clamp-Upper
6	108-3265	1	O-Ring-Viton	14	99-0814	1	Pin-Pivot
7	95-9196	1	Turret	15	95-9201	1	Shank-Hose
8	41003	1	Diaphragm	16	322-3	1	Screw-HH



Boom Mounting Assembly

<i>Ref.</i>	<i>Part Number</i>	<i>Qty.</i>	<i>Description</i>	<i>Ref.</i>	<i>Part Number</i>	<i>Qty.</i>	<i>Description</i>
1	119-4993-03	2	Bracket-Pivot	11	110-5050	16	Screw-HHF
2	108-3471-03	4	Hinge	12	104-8301	16	Nut-HF, NI
3	100-8541	4	Bushing-A Arm	13	108-3748	2	Screw-HHF
4	108-3436	2	Pin-Clevis	14	108-3444	4	Retainer-Spring
5	3290-468	2	Pin-Cotter	15	104-8300	2	Nut-HF, NI
6	110-5054	4	Washer-Flat	16	108-3440	4	Spring-Breakaway, Boom
7	108-3738	4	Screw-HH	17	302-5	8	Fitting-Grease
8	3296-15	4	Nut-Lock, NI	18	108-3459	4	Boot-Hinge
9	108-3419	2	Pivot Pin ASM	19	120-8541	4	Dampener-Hinge
10	108-3605	8	Plate-Backing				



Left and Right Hand Boom Assembly

<i>Ref.</i>	<i>Part Number</i>	<i>Qty.</i>	<i>Description</i>	<i>Ref.</i>	<i>Part Number</i>	<i>Qty.</i>	<i>Description</i>
1	108-3524-03	1	Boom-RH	12	108-3439	2	Tee
2	108-3525-03	1	Boom-LH	13	240-3	4	Grommet-Rubber
3	119-9368	4	Block Slide	14	108-3721	2	Hose-Boom
4	108-3725	2	LH Single Body Turret ASM	15	95-9186	8	Cap
5	108-3727	4	Double Turret Body ASM	15:1	40998	1	Seat-Gasket
6	108-3726	2	RH Single Body Turret ASM	16	95-9187	16	Cap-Blank
7	104-8300	8	Nut-HF, NI	16:1	40998	1	Seat-Gasket
8	108-3728	2	Hose-Boom	17	107-8650	2	Conduit-Convolutd
9	40506	4	Hose-Jumper	18	3290-378	6	Tie-Cable
10	2412-129	18	Clamp-Hose	19	125-8070	1	Hose-Boom
11	119-9369	8	Screw-HHF	20	125-8046	1	Hose-Supply, Hose Reel

Attachments and Accessories

For 41240 Multi Pro WM Turf Sprayer

Product Name	Model/Part
Premium ATF (Drum).....	108-1185
Premium ATF (Pail)	108-1186
Premium All Purpose Grease (Tube)	108-1190
License Plate Kit.....	120-8506
Covered Boom Spring Upgrade Kit.....	120-8508
Premium Engine Oil 10w30 (55 Gal).....	121-6392
Premium Engine Oil 10w30 (5 Gallon Pail)	121-6393
Foam Marker Finishing Kit.....	125-8121
Fan Kit (EFI, Gas Engine Only).....	127-9719
Lance Suction Assembly	127-9826
Sonic Boom Finish Kit.....	130-8228
Finishing Kit, Foam Marker for Multi Pro WM Turf Sprayer.....	136-0459
Rear Work Light Kit.....	41010
Single Nozzle Kit.....	41023
Hand Spray Wand Kit	41131
Pro Foam Concentrate (4 x 1 Gallon)	41157
EU Compliance Kit.....	41204
Jackstand Kit	41216
Ultra Sonic Boom Leveling Kit	41219
Tank Clean Rinse Kit	41241
Chemical Pre-Mix Kit	41242
Electric Hose Reel Kit.....	41243
Foam Marker Kit, Serial number 400000000 and After Multi Pro 1750, 5800, and WM Turf Sprayer.....	41249
Drift Reduction Boom Shroud Kit	41602
Pro-Foam.....	41607

Notes:

Notes:



Count on it.