



Count on it.

Parts Catalog

ProCore® SR54

Aerator

Model No. 09931—Serial No. 318000001 and Up



Ordering Replacement Parts

To order replacement parts, please supply the part number, the quantity, and the description of each part desired.

Understanding Reference Numbers

Each identified part in an illustration has a reference number. The reference number for a part also appears in the parts list, along with other information about the part.

This catalog uses two special reference number formats, one to indicate parts in a service assembly and another to indicate the quantity of a given part in an illustration.

Service Assembly Reference Numbers

Parts in service assemblies have reference numbers in the form a:b. The a represents the reference number of the entire service assembly and the b represents a sequential number unique to each part within the service assembly.

For example, a wheel assembly might be identified by reference number 6, the tire by 6:1, the valve by 6:2, and the wheel by 6:3. When you order the assembly identified by reference number 6, you receive all parts identified by reference numbers 6:1, 6:2, and 6:3. However, you may also order any part individually. Reference numbers of this type appear in illustration and in parts lists.

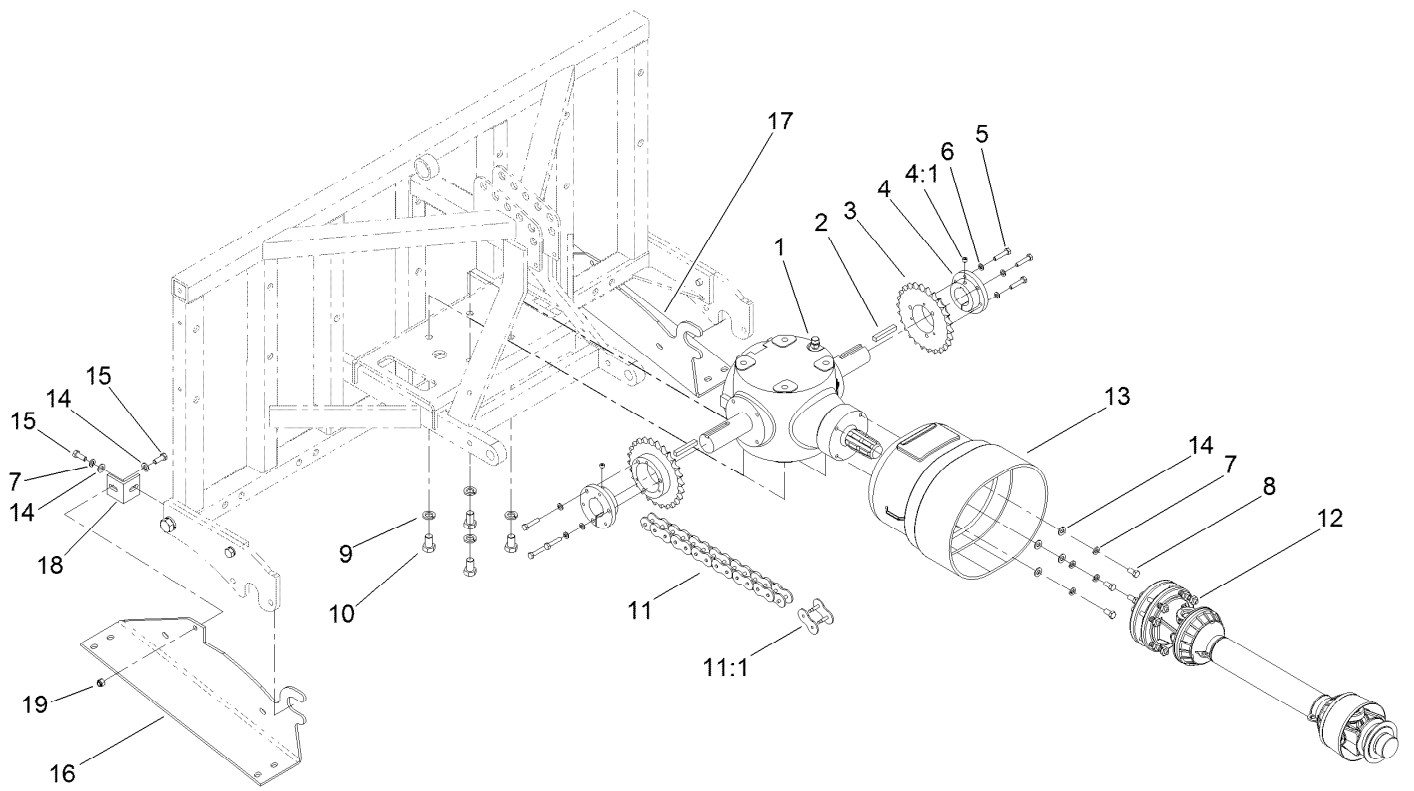
Reference Numbers Indicating Quantity

In an illustration, if a reference number indicates more than one part, the reference number has the form nX y. The n represents the quantity of the part, the X is the multiplication symbol, and the y represents the reference number.

For example, in an illustration, the reference number 2X 37 means that two of the parts identified by reference number 37 are indicated.

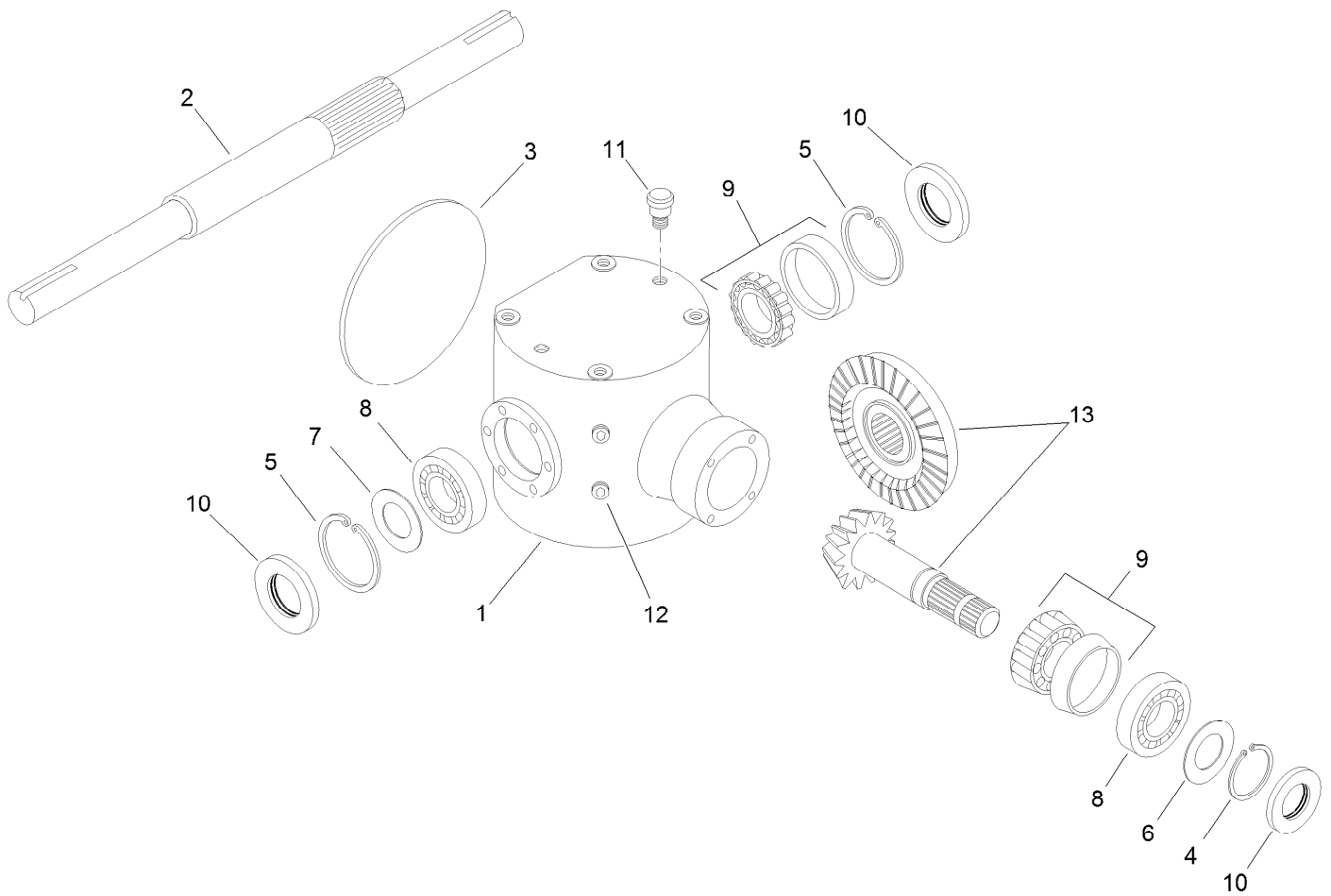
Contents

| | |
|--------------------------------------------|----|
| Drive Assembly | 4 |
| Gearbox Assembly No. SG507000-03 | 5 |
| PTO Shaft Assembly No. 137-7322 | 6 |
| Frame and Roller Assembly | 7 |
| Hydraulic Cylinder Assembly SG715010 | 9 |
| LH Crankshaft Assembly | 10 |
| Center Crankshaft Assembly | 11 |
| RH Crankshaft Assembly | 12 |
| Idler Assembly | 13 |
| Connecting Rod Assembly | 14 |
| Hinge Assembly | 15 |
| Linkage Arm Assembly | 16 |
| Head and Spring Assembly | 17 |
| Screen and Hood Assembly | 18 |
| Rear Guard Assembly | 19 |
| Attachments and Accessories | 20 |



Drive Assembly

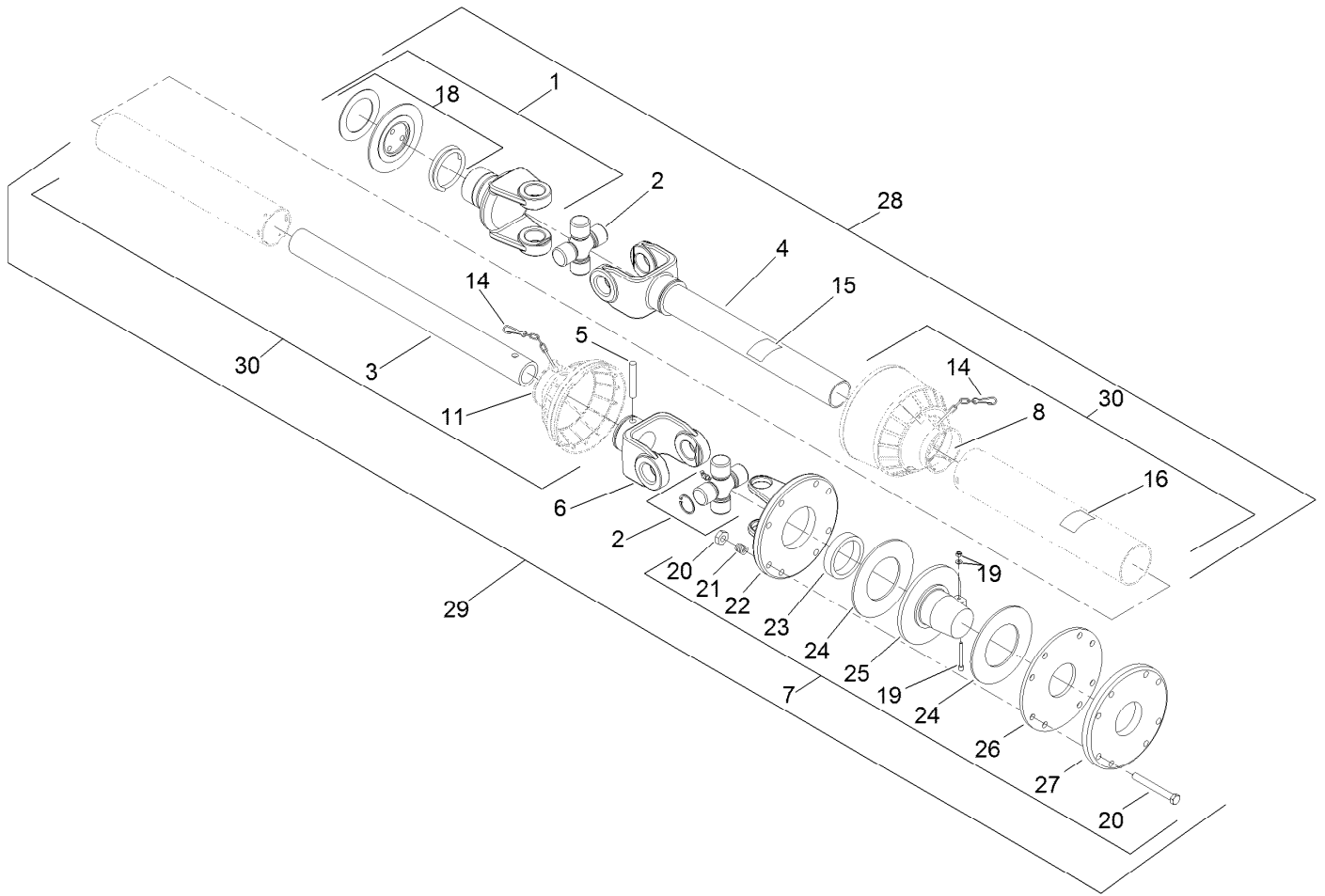
| <i>Ref.</i> | <i>Part Number</i> | <i>Qty.</i> | <i>Description</i> | <i>Ref.</i> | <i>Part Number</i> | <i>Qty.</i> | <i>Description</i> |
|-------------|--------------------|-------------|--------------------|-------------|--------------------|-------------|--------------------|
| 1 | SG507000-03 | 1 | Gearbox | 11 | SG580154 | 2 | Chain-O-Ring |
| 2 | 80-6140 | 2 | Key-Square | 11:1 | SG581083 | 1 | Link-Master |
| 3 | SG517026 | 2 | Gearbox-Sprocket | 12 | 137-7322 | 1 | PTO Shaft Assembly |
| 4 | SG527054 | 2 | Sprocket-Hub | 13 | SG4170401 | 1 | Cone-Shaft |
| 4:1 | 3246-4 | 1 | Screw-Set | 14 | 3256-24 | 8 | Washer-Flat |
| 5 | 5-1470 | 6 | Screw-HH | 15 | 323-6 | 4 | Screw-HH |
| 6 | 3253-4 | 6 | Washer-Lock | 16 | 117-7138-03 | 1 | Stand-Storage, RH |
| 7 | 3253-21 | 6 | Washer-Lock | 17 | 117-7139-03 | 1 | Stand-Storage, LH |
| 8 | 323-4 | 4 | Screw-HH | 18 | 117-7081-03 | 2 | Angle-Mounting |
| 9 | 3253-8 | 4 | Washer-Lock | 19 | 3296-39 | 2 | Nut-Lock, NI |
| 10 | 327-3 | 4 | Screw-HH | | | | |



Gearbox Assembly No. SG507000-03

| Ref. | Part Number | Qty. | Description |
|------|-------------|------|------------------------|
| 1 | | 1 | Housing-Gearbox ● |
| 2 | 119-3236 | 1 | Shaft-Output |
| 3 | 119-3222 | 1 | Cover-Housing, Gearbox |
| 4 | 119-3224 | 1 | Circlip-External |
| 5 | 119-3225 | 2 | Circlip-External |
| 6 | 119-3226 | 1 | Shim Kit |
| 7 | 119-3227 | 1 | Shim Kit |
| 8 | 119-3228 | 2 | Bearing-Ball |
| 9 | 119-3230 | 2 | Bearing-Roller Gearbox |
| 10 | 119-3231 | 3 | Seal-Oil |
| 11 | 119-3218 | 1 | Plug-Breather |
| 12 | 119-3219 | 3 | Plug-HSH |
| 13 | 119-3232 | 1 | Gear-Bevel, Gearbox |

● Not serviced separately

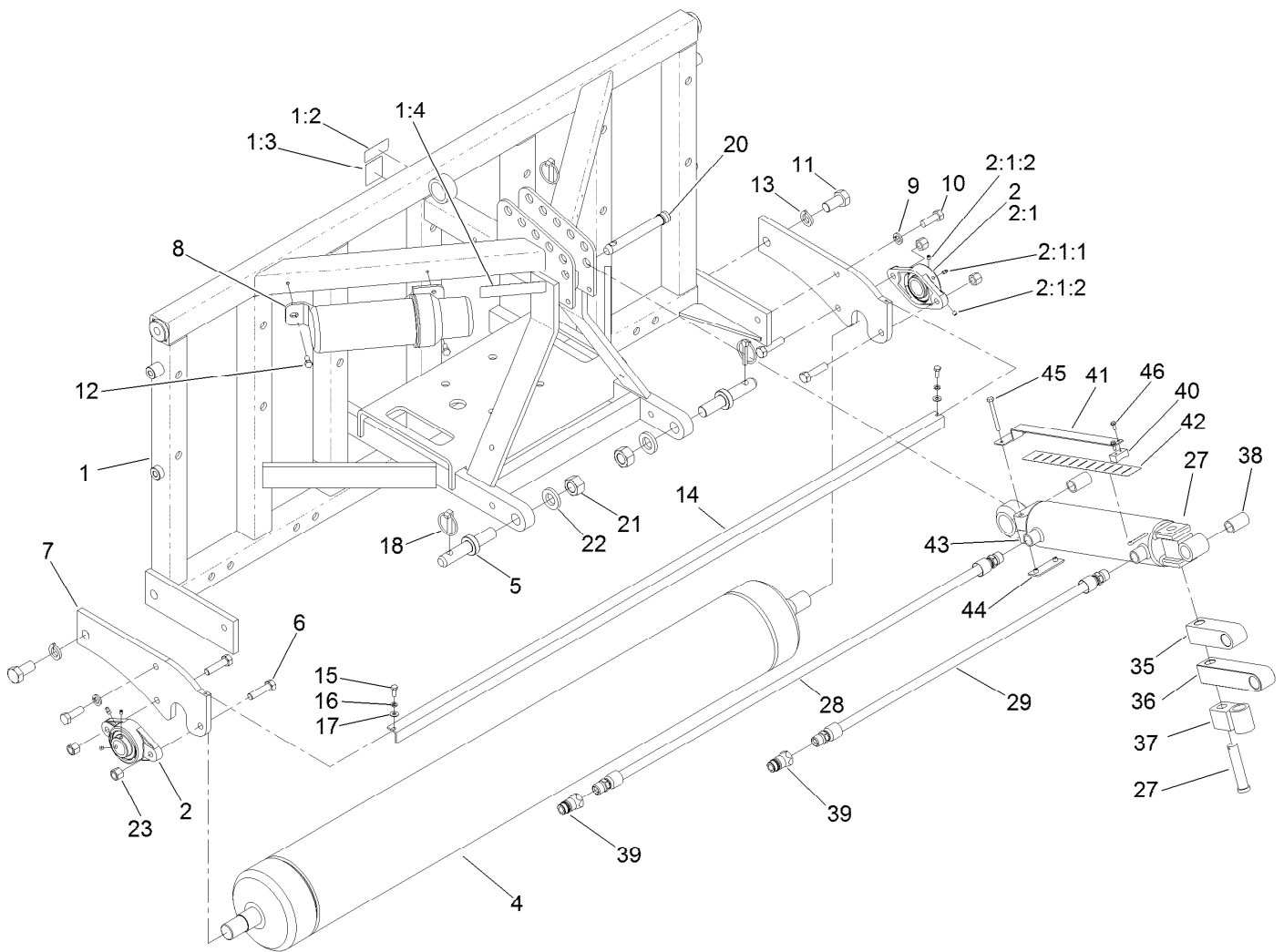


PTO Shaft Assembly No. 137-7322

| Ref. | Part Number | Qty. | Description | Ref. | Part Number | Qty. | Description |
|------|-------------|------|----------------------------|------|-------------|------|---------------------|
| 1 | 119-3100 | 1 | Yoke-Tractor Side | 19 | 119-3118 | 1 | Screw And Nut ASM |
| 2 | 136-3932 | 2 | Cross And Bearing Kit | 20 | 119-3119 | 1 | Bolt And Nut ASM |
| 3 | | 1 | Tube-Inner (Male PTO #4) ■ | 21 | 119-3120 | 8 | Spring |
| 4 | | 1 | Yoke W/ Tube #4 ■ | 22 | | 1 | Yoke-Flange ■ |
| 5 | 119-3104 | 1 | Pin-Roll | 23 | | 1 | Bushing ■ |
| 6 | | 1 | Tube-Inner, Yoke #4 ■ | 24 | 119-3123 | 2 | Plate-Clutch |
| 7 | 119-3106 | 1 | Clutch ASM | 25 | 119-3124 | 1 | Hub |
| 8 | | 1 | Support-Shield,Outer ■ | 26 | 119-3125 | 1 | Plate-Pressure |
| 11 | | 1 | Support-Shield,Inner ■ | 27 | 119-3126 | 1 | Plate-Pressure, PTO |
| 14 | 119-3113 | 2 | Chain-Safety | 28 | 136-3938 | 1 | Half Shaft ASM |
| 15 | 119-3114 | 1 | Decal-Danger | 29 | 136-3939 | 1 | Half Shaft ASM |
| 16 | 119-3115 | 1 | Decal-Danger | 30 | 136-3940 | 1 | Complete Shield ASM |
| 17 | 136-3937 | 1 | Booklet-Instruction, Usa ● | 31 | 136-3935 | 6 | Screw-Self TAP ● |
| 18 | 119-3117 | 1 | Ball And Collar Kit | | | | |

● Not illustrated

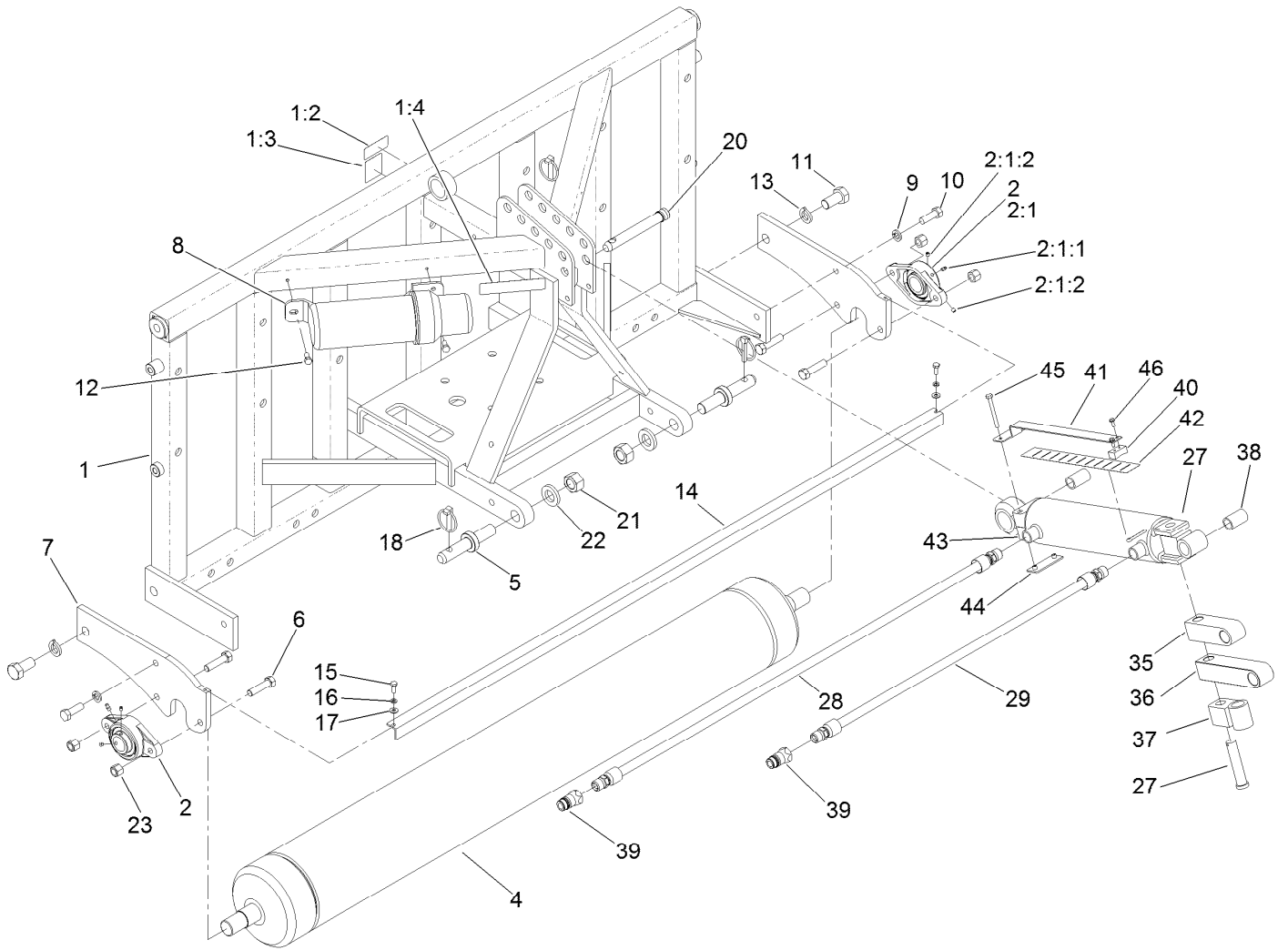
■ Not serviced separately



Frame and Roller Assembly

| Ref. | Part Number | Qty. | Description | Ref. | Part Number | Qty. | Description |
|-------|-------------|------|----------------------------|------|-------------|------|------------------------------|
| 1 | 120-1055 | 1 | Frame ASM | 13 | 3253-9 | 2 | Washer-Lock |
| 1:2 | 117-7052 | 1 | Decal-No Oil | 14 | SG678908-03 | 1 | Scraper |
| 1:3 | 100-3612 | 1 | Decal-Warning | 15 | 321-4 | 2 | Screw-HH |
| 1:4 | 127-4235 | 1 | Decal-Warning, PTO | 16 | 3253-3 | 2 | Washer-Lock |
| 2 | SG637070-03 | 2 | Bearing-Roller | 17 | 3256-22 | 2 | Washer-Flat |
| 2:1 | | 1 | Bearing-Flange ● | 18 | 100-5389 | 3 | Pin-Lynch |
| 2:1:1 | 3245-35 | 2 | Screw-Set, HSH | 20 | SG715450 | 1 | Pin-Link, Top |
| 2:1:2 | 302-19 | 1 | Fitting-Grease | 21 | 3219-18 | 2 | Nut-Hex |
| 4 | SG627054-03 | 1 | Roller-Main | 22 | 104-8322 | 2 | Washer-Hardened |
| 5 | 110-4314 | 2 | Pin-Link, Cat 2 | 23 | 3296-23 | 4 | Nut-Lock, NI |
| 5 | 110-4315 | 2 | Pin-Link, Cat 1 | 27 | SG715010 | 1 | HYD Cylinder ASM |
| 6 | SG271517 | 4 | Screw-HH | 28 | SG795250 | 1 | Hose ASM (Long) |
| 7 | SG639072-01 | 2 | Boot-Roller, Single | 29 | SG795245 | 1 | Hose ASM (Short) |
| 8 | SG999018 | 1 | Canister-Manual, Operators | 35 | SG795554-03 | 1 | Extension-Adapter, 3.50 Inch |
| 9 | 3253-7 | 2 | Washer-Lock | 36 | SG795551-03 | 1 | Extension-Adapter, 5.50 Inch |
| 10 | 325-6 | 2 | Screw-HH | 37 | 117-7124-03 | 1 | Mount-Adapter, 90 DEG |
| 11 | 328-26 | 2 | Screw-HH | | | | |
| 12 | 322-3 | 2 | Screw-HH | | | | |

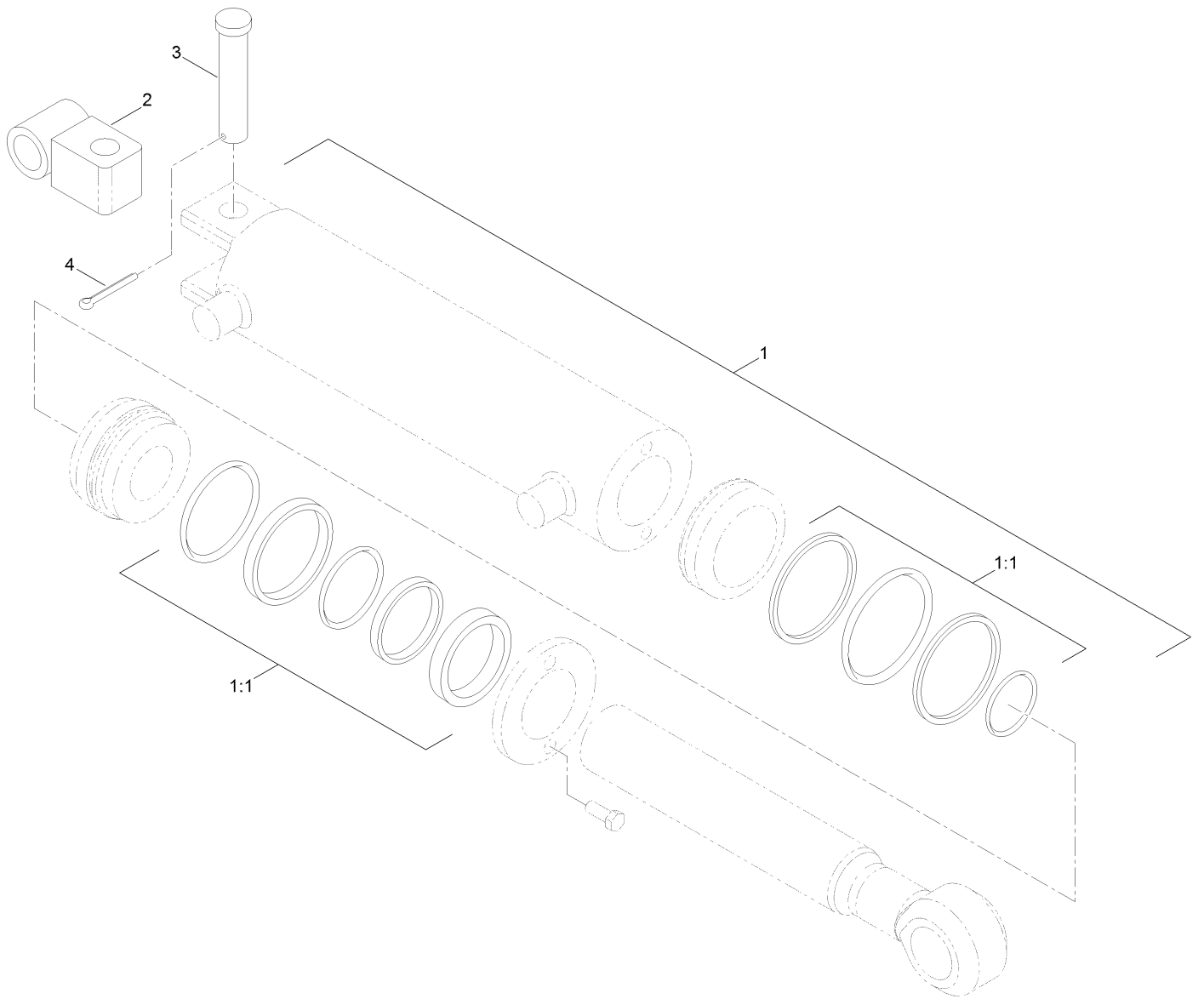
● Not serviced separately



Frame and Roller Assembly (continued)

| <i>Ref.</i> | <i>Part Number</i> | <i>Qty.</i> | <i>Description</i> | <i>Ref.</i> | <i>Part Number</i> | <i>Qty.</i> | <i>Description</i> |
|-------------|--------------------|-------------|--------------------|-------------|--------------------|-------------|--------------------|
| 38 | SG555013 | 2 | Bushing | 43 | 121-6949 | 1 | Clamp-Tube |
| 39 | 120-1032 | 2 | Fitting-HYD | 44 | 125-3301 | 1 | Plate-Weld |
| 40 | 121-2189 | 1 | Block-Slide | 45 | 321-15 | 2 | Screw-HH |
| 41 | 121-6918-01 | 1 | Gauge-Depth | 46 | 3290-321 | 2 | Screw-HWH |
| 42 | 121-6926 | 1 | Decal-Depth | | | | |

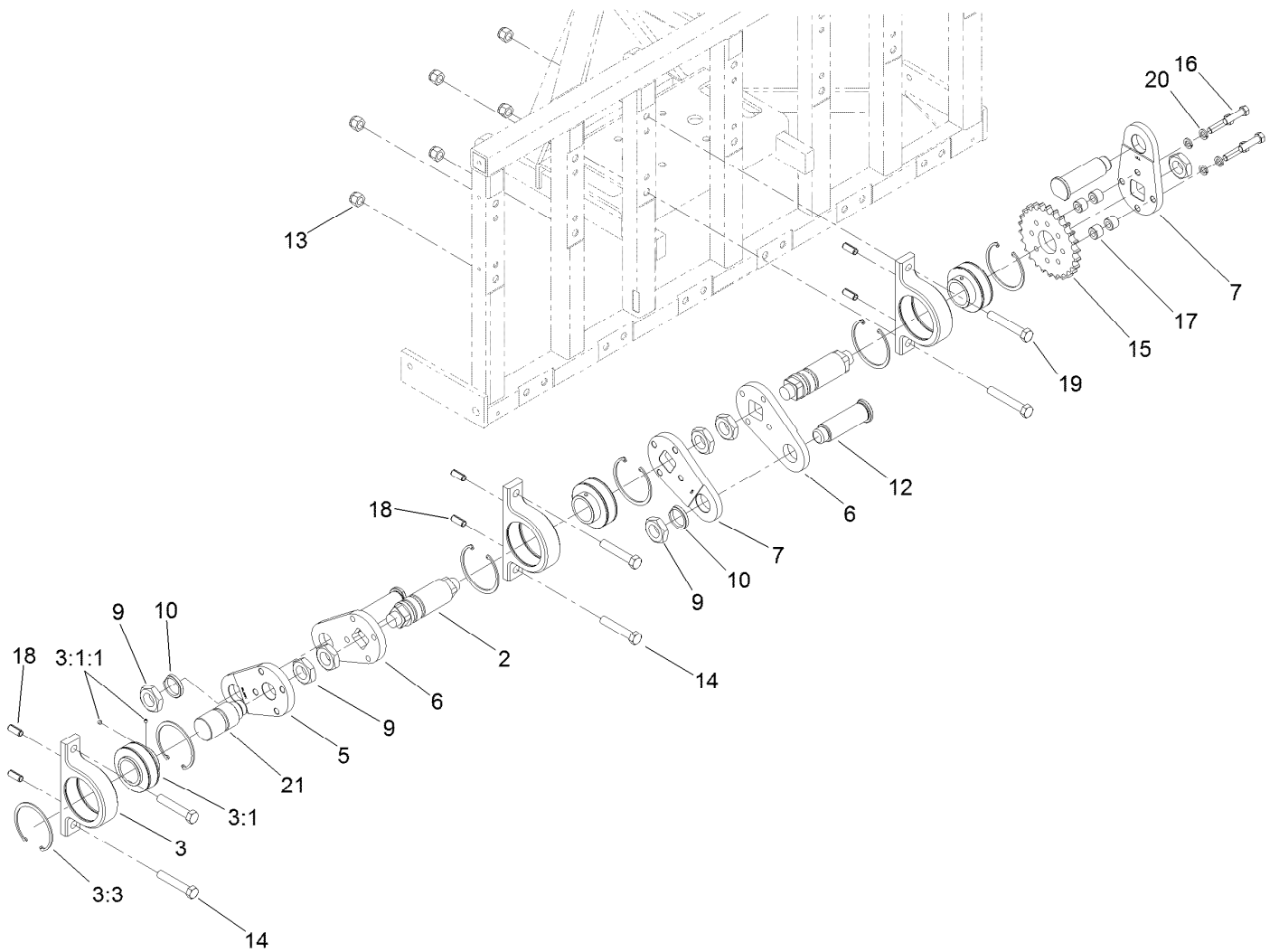
● Not serviced separately



Hydraulic Cylinder Assembly SG715010

| Ref. | Part Number | Qty. | Description |
|------|-------------|------|---------------------|
| 1 | | 1 | Cylinder-HYD ● |
| 1:1 | 117-7175 | 1 | Seal Kit |
| 2 | 117-7182-03 | 1 | Pivot-End, Cylinder |
| 3 | 108-2800 | 1 | Pin-Clevis |
| 4 | 3272-23 | 1 | Pin-Cotter |

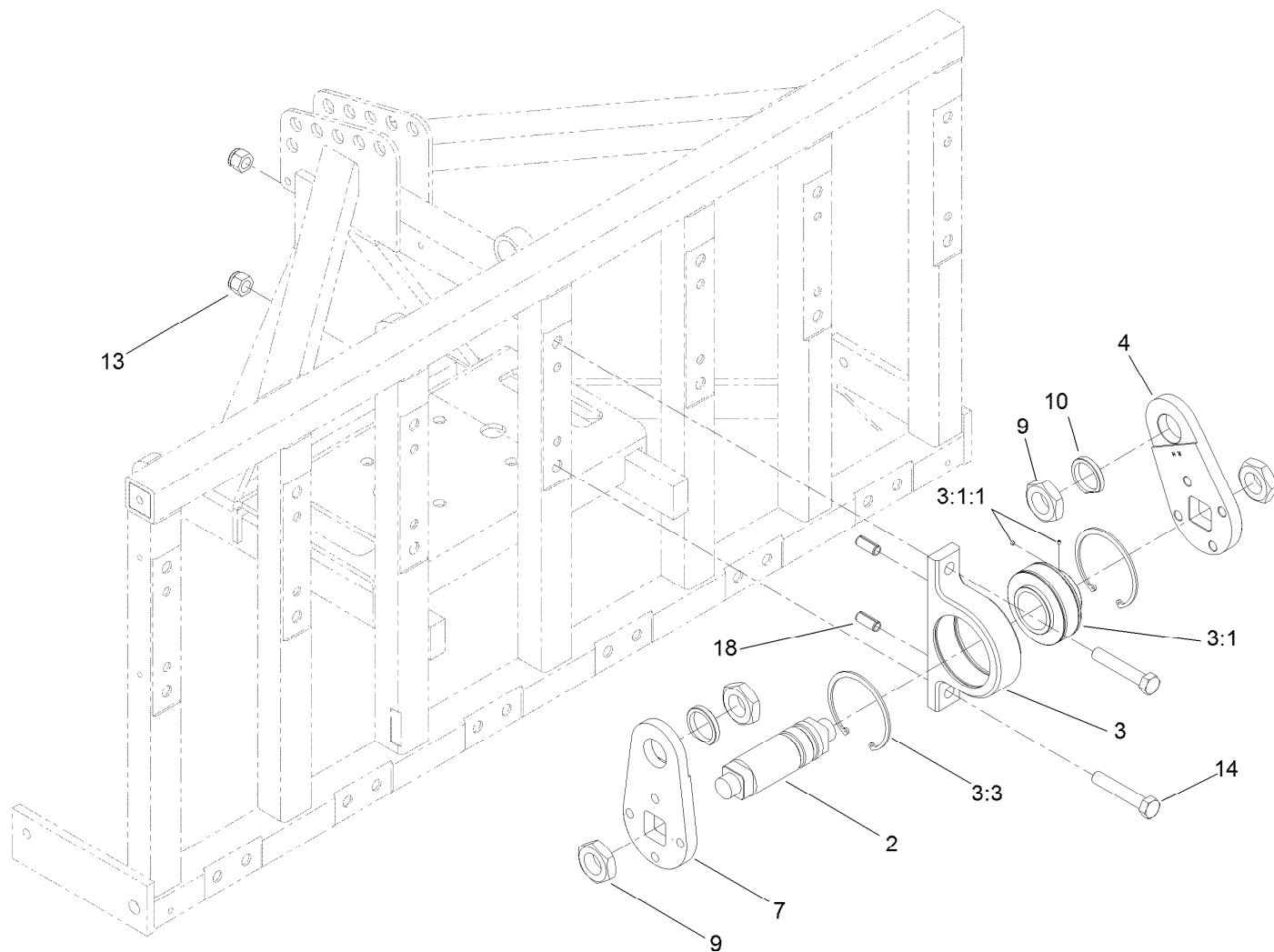
● Not serviced separately



LH Crankshaft Assembly

| Ref. | Part Number | Qty. | Description | Ref. | Part Number | Qty. | Description |
|-------|-------------|------|--------------------------|------|-------------|------|---------------------|
| 2 | SG217354 | 2 | Crankshaft | 12 | SG257054 | 3 | Pin-Crank |
| 3 | 121-6905 | 3 | Main Bearing Housing ASM | 13 | 3296-53 | 6 | Nut-Lock, NI |
| 3:1 | | 1 | Bearing-Ball ● | 14 | 327-14 | 4 | Screw-HH |
| 3:1:1 | 99-0195 | 2 | Screw-Set, HSH | 15 | SG217026 | 1 | Sprocket-Crank |
| 3:3 | SG427540 | 2 | Ring-Retaining | 16 | SG271517 | 4 | Screw-HH |
| 5 | SG207054 | 1 | Arm-Crank | 17 | SG267500 | 4 | Spacer |
| 6 | SG217254 | 2 | Arm-Crank, Left | 18 | 105-1041 | 6 | Pin-Spring |
| 7 | SG217054 | 2 | Arm-Crank | 19 | 327-16 | 2 | Screw-HH |
| 9 | SG267200 | 7 | Nut-Hex | 20 | 3253-7 | 4 | Washer-Lock |
| 10 | SG247540 | 2 | Washer-Clipped | 21 | SG217557 | 1 | Shaft-Stub, Outside |

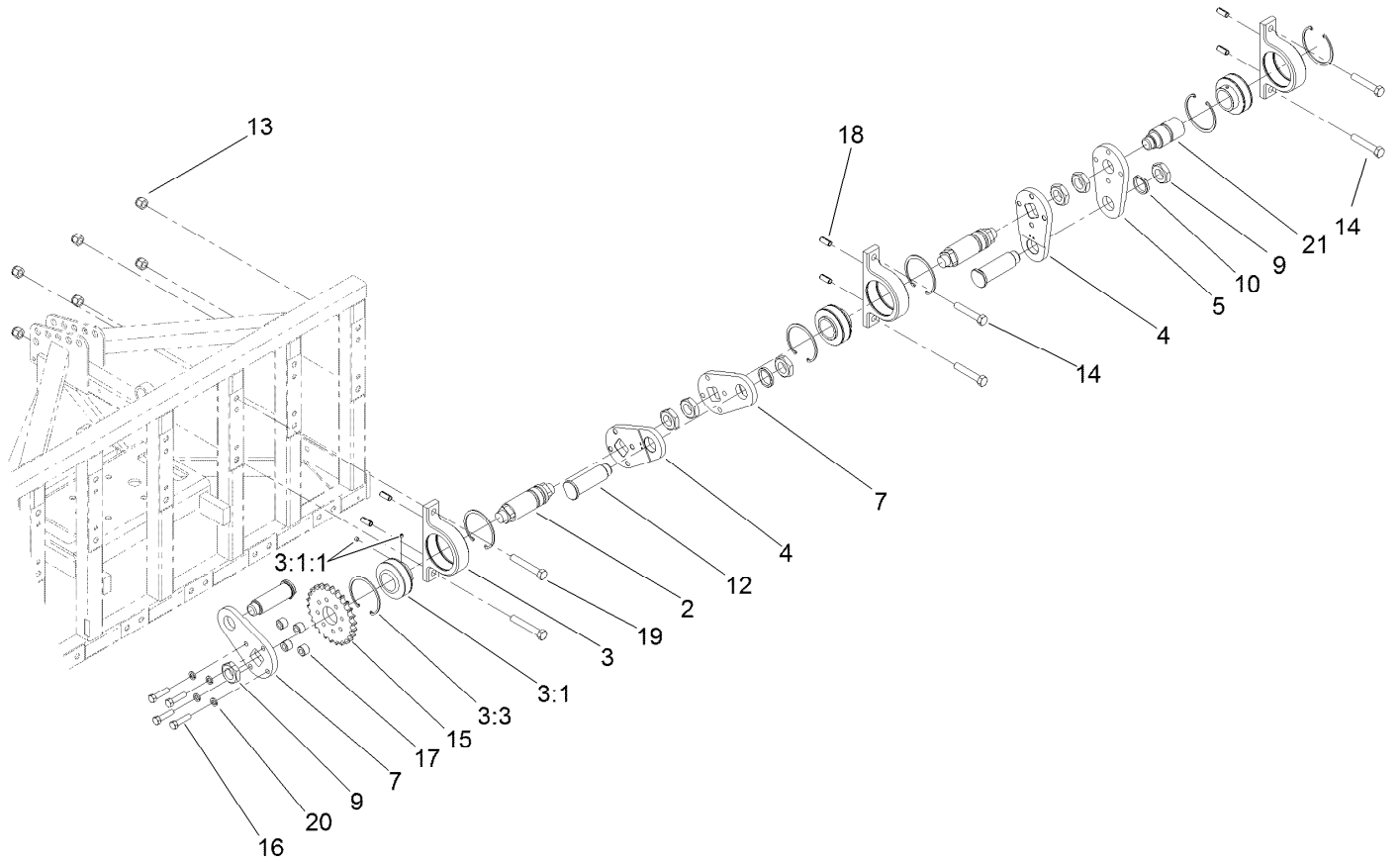
● Not serviced separately



Center Crankshaft Assembly

| Ref. | Part Number | Qty. | Description |
|-------|-------------|------|--------------------------|
| 2 | SG217354 | 1 | Crankshaft |
| 3 | 121-6905 | 1 | Main Bearing Housing ASM |
| 3:1 | | 1 | Bearing-Ball ● |
| 3:1:1 | 99-0195 | 2 | Screw-Set, HSH |
| 3:3 | SG427540 | 2 | Ring-Retaining |
| 4 | SG217154 | 1 | Arm-Crank, Right |
| 7 | SG217054 | 1 | Arm-Crank |
| 9 | SG267200 | 4 | Nut-Hex |
| 10 | SG247540 | 2 | Washer-Clipped |
| 13 | 3296-53 | 2 | Nut-Lock, NI |
| 14 | 327-14 | 2 | Screw-HH |
| 18 | 105-1041 | 2 | Pin-Spring |

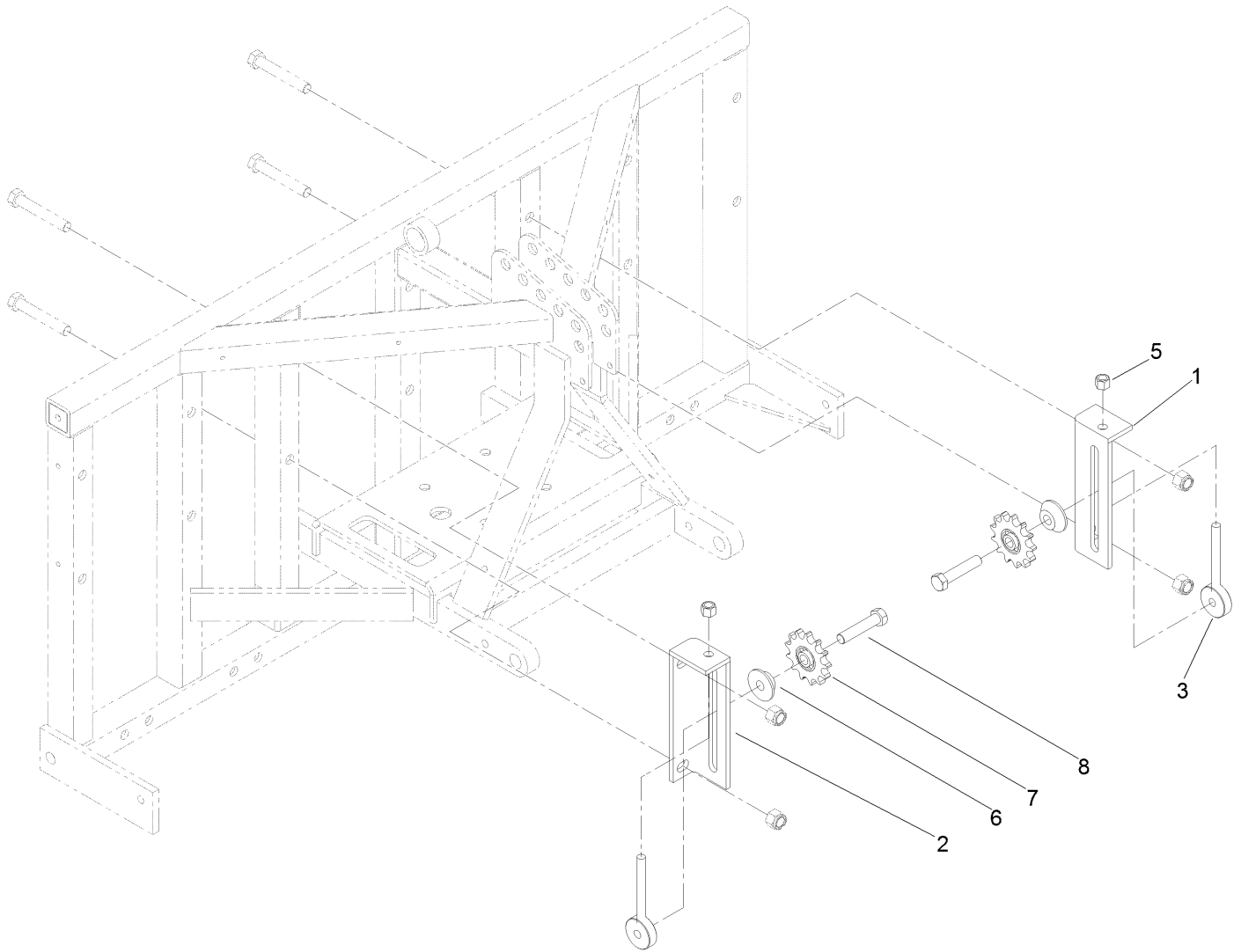
● Not serviced separately



RH Crankshaft Assembly

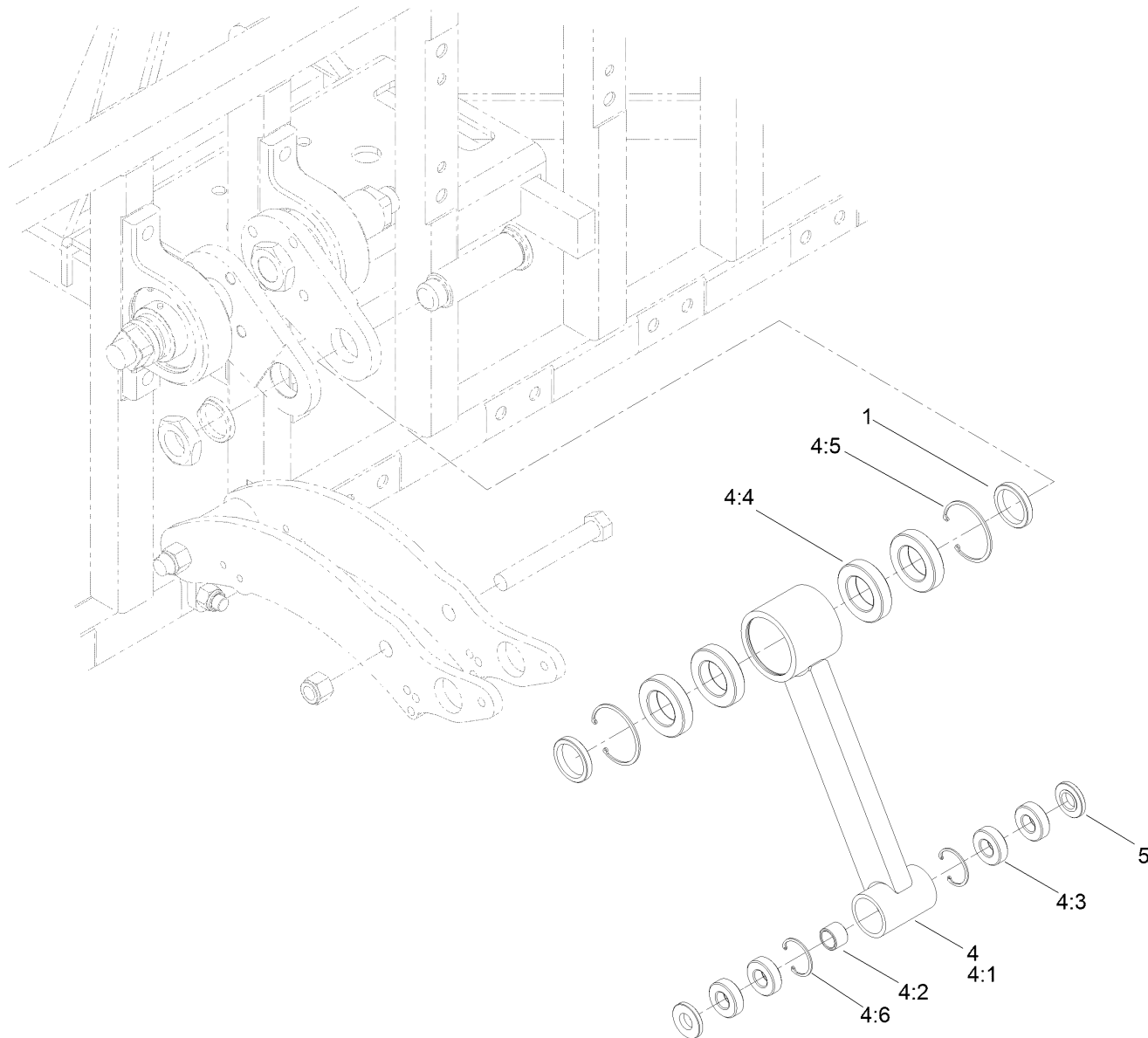
| Ref. | Part Number | Qty. | Description | Ref. | Part Number | Qty. | Description |
|-------|-------------|------|--------------------------|------|-------------|------|---------------------|
| 2 | SG217354 | 2 | Crankshaft | 12 | SG257054 | 3 | Pin-Crank |
| 3 | 121-6905 | 3 | Main Bearing Housing ASM | 13 | 3296-53 | 6 | Nut-Lock, NI |
| 3:1 | | 1 | Bearing-Ball ● | 14 | 327-14 | 4 | Screw-HH |
| 3:1:1 | 99-0195 | 2 | Screw-Set, HSH | 15 | SG217026 | 1 | Sprocket-Crank |
| 3:3 | SG427540 | 2 | Ring-Retaining | 16 | SG271517 | 4 | Screw-HH |
| 4 | SG217154 | 2 | Arm-Crank, Right | 17 | SG267500 | 4 | Spacer |
| 5 | SG207054 | 1 | Arm-Crank | 18 | 105-1041 | 6 | Pin-Spring |
| 7 | SG217054 | 2 | Arm-Crank | 19 | 327-16 | 2 | Screw-HH |
| 9 | SG267200 | 7 | Nut-Hex | 20 | 3253-7 | 4 | Washer-Lock |
| 10 | SG247540 | 2 | Washer-Clipped | 21 | SG217557 | 1 | Shaft-Stub, Outside |

● Not serviced separately



Idler Assembly

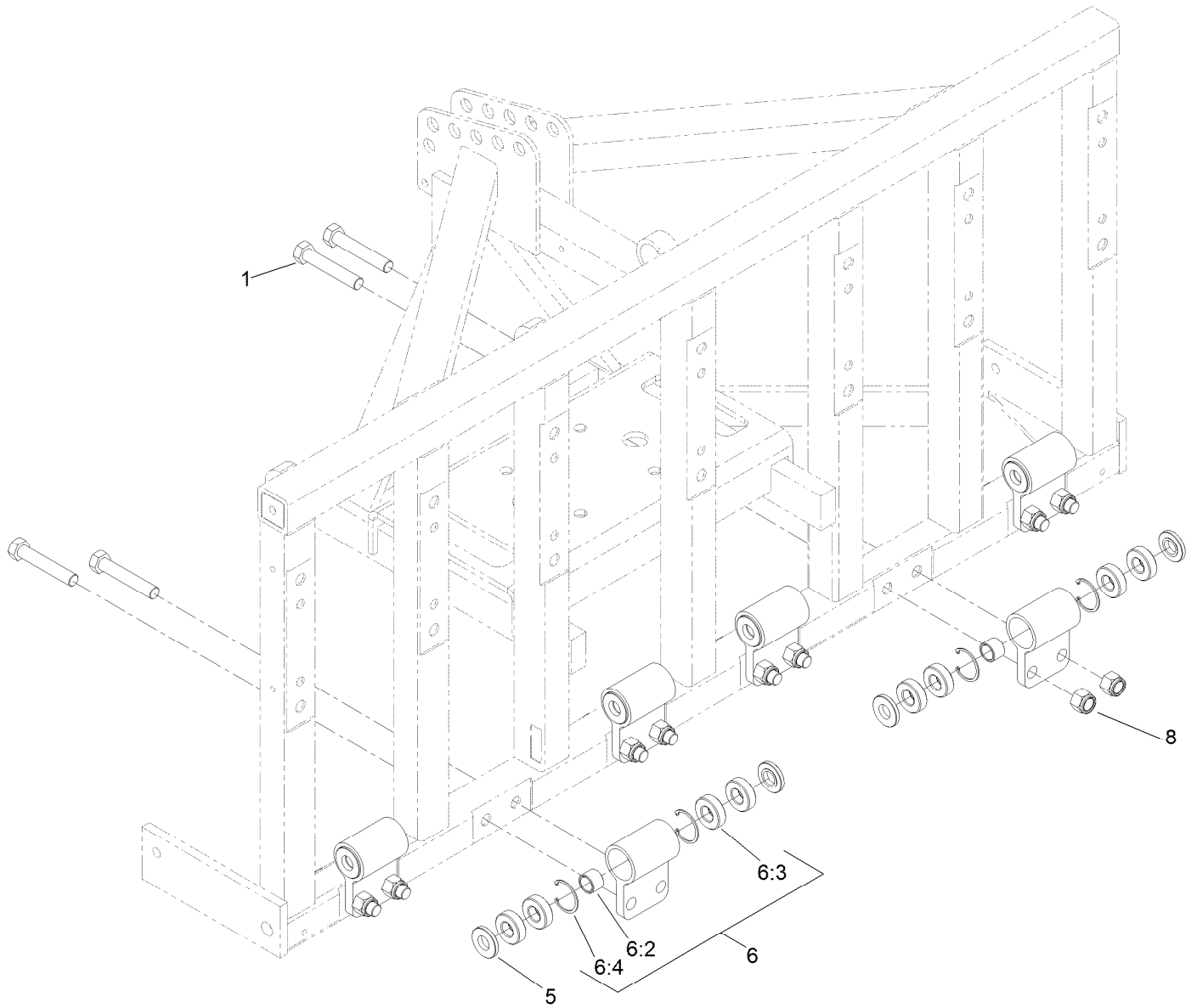
| <i>Ref.</i> | <i>Part Number</i> | <i>Qty.</i> | <i>Description</i> |
|-------------|--------------------|-------------|--------------------|
| 1 | SG587054-03 | 1 | Bracket-Idler |
| 2 | SG597054-03 | 1 | Bracket-Idler |
| 3 | SG587202 | 2 | Rod-Idler |
| 5 | 3296-23 | 2 | Nut-Lock, NI |
| 6 | SG537500 | 2 | Spacer-Offset |
| 7 | SG517054 | 2 | Sprocket-Idler |
| 8 | 327-9 | 2 | Screw-HH |



Connecting Rod Assembly

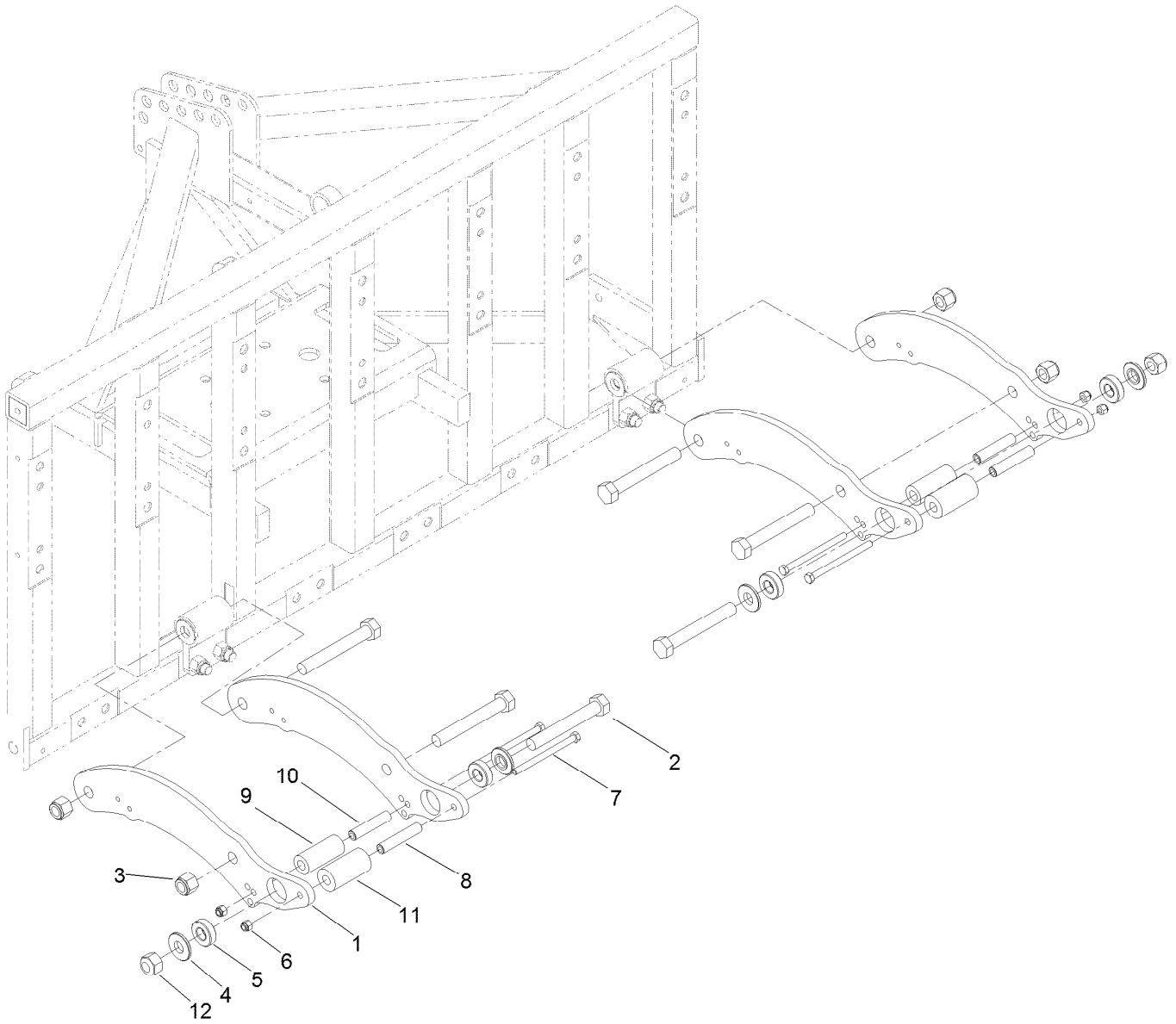
| Ref. | Part Number | Qty. | Description |
|------|-------------|------|--------------------------|
| 1 | SG337100 | 12 | Bushing-Outer |
| 4 | SG135154 | 6 | Connecting Rod ASM |
| 4:1 | | 1 | Rod-Connecting ● |
| 4:2 | SG337010 | 1 | Bushing-Inner |
| 4:3 | SG337075 | 4 | Bearing-Ball |
| 4:4 | SG337590 | 4 | Bearing-Ball |
| 4:5 | SG427541 | 2 | Ring-Retaining, Internal |
| 4:6 | SG427625 | 2 | Ring-Retaining, Internal |
| 5 | SG337050 | 12 | Bushing-Outer |

● Not serviced separately



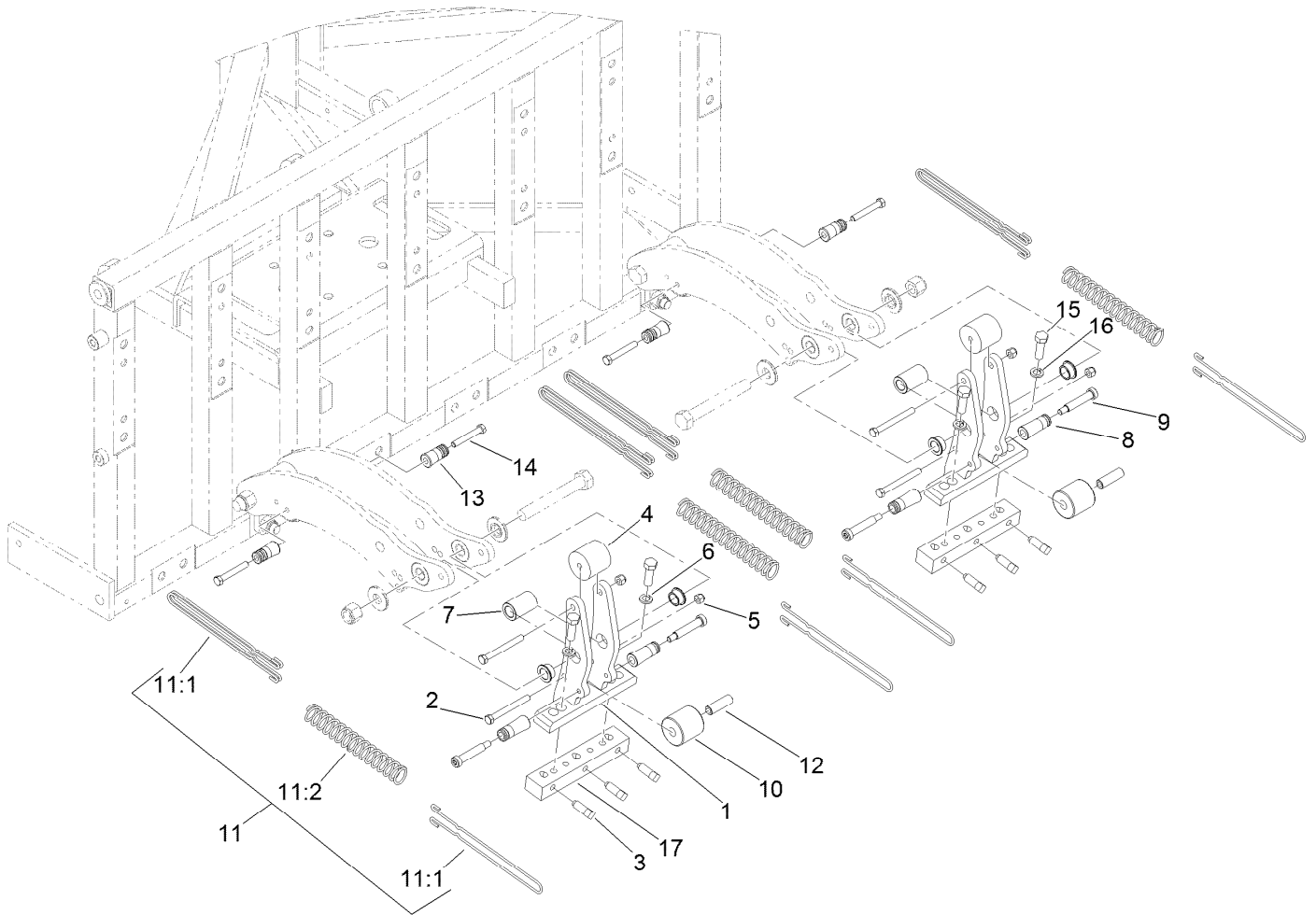
Hinge Assembly

| Ref. | Part Number | Qty. | Description |
|-------------|--------------------|-------------|--------------------------|
| 1 | 327-14 | 12 | Screw-HH |
| 5 | SG337050 | 12 | Bushing-Outer |
| 6 | 125-3312 | 6 | Hinge ASM |
| 6:2 | SG337010 | 1 | Bushing-Inner |
| 6:3 | SG337075 | 4 | Bearing-Ball |
| 6:4 | SG427625 | 2 | Ring-Retaining, Internal |
| 8 | 3296-53 | 12 | Nut-Lock, NI |



Linkage Arm Assembly

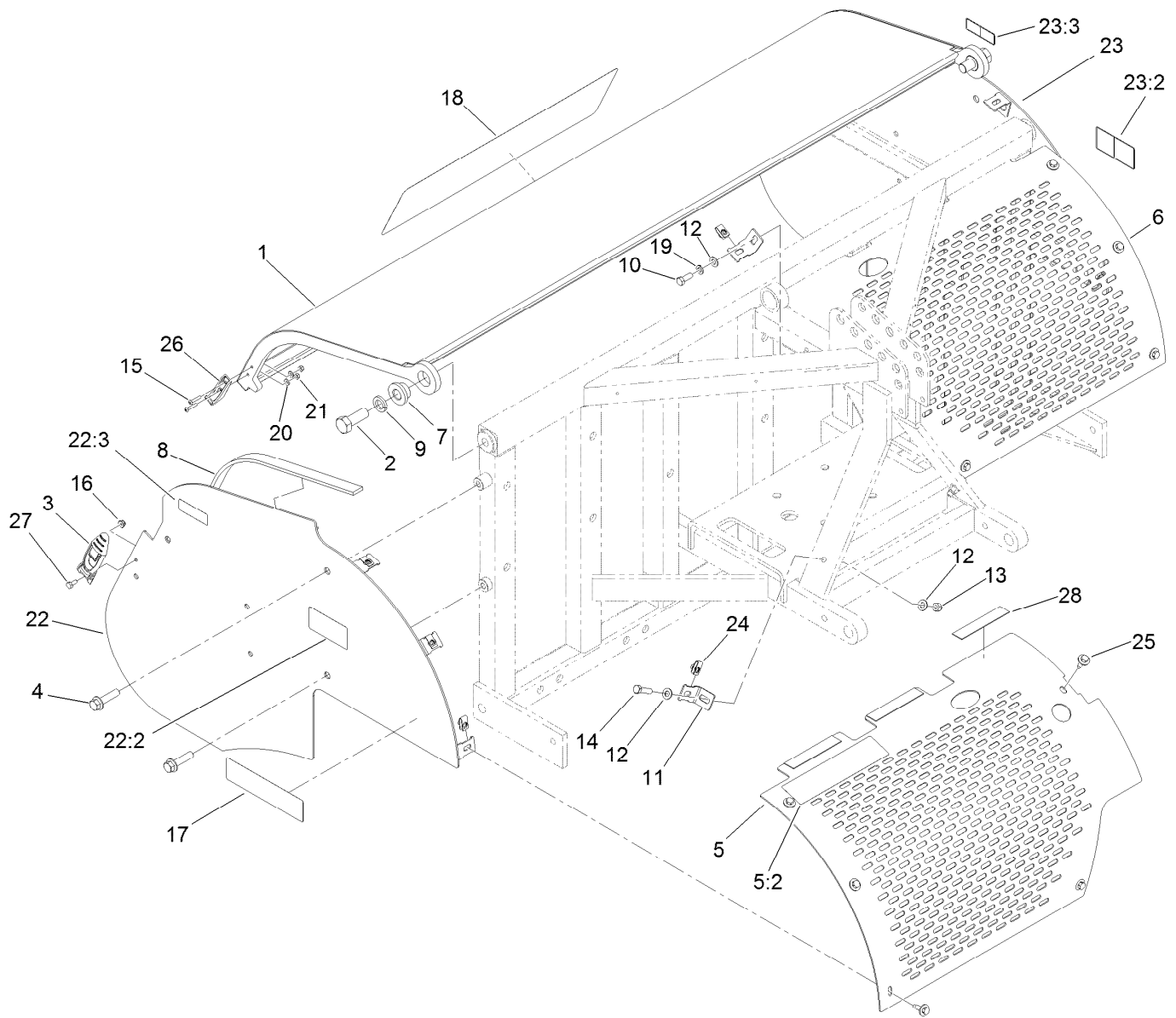
| Ref. | Part Number | Qty. | Description |
|-------------|--------------------|-------------|---------------------|
| 1 | SG387055-03 | 12 | Arm-Linkage, Arched |
| 2 | 328-12 | 18 | Screw-HH |
| 3 | 3296-51 | 12 | Nut-Lock, NI |
| 4 | SG437125 | 12 | Bushing-Outer |
| 5 | SG337075 | 12 | Bearing-Ball |
| 6 | 3296-39 | 12 | Nut-Lock, NI |
| 7 | 323-21 | 12 | Screw-HH |
| 8 | SG337300 | 6 | Spacer-Linkage |
| 9 | SG487125 | 6 | Bumper-Rubber |
| 10 | SG486312 | 6 | Spacer-Arm, Linkage |
| 11 | SG487126 | 6 | Bumper-Rubber |
| 12 | 120-7252 | 6 | Nut-Lock |



Head and Spring Assembly

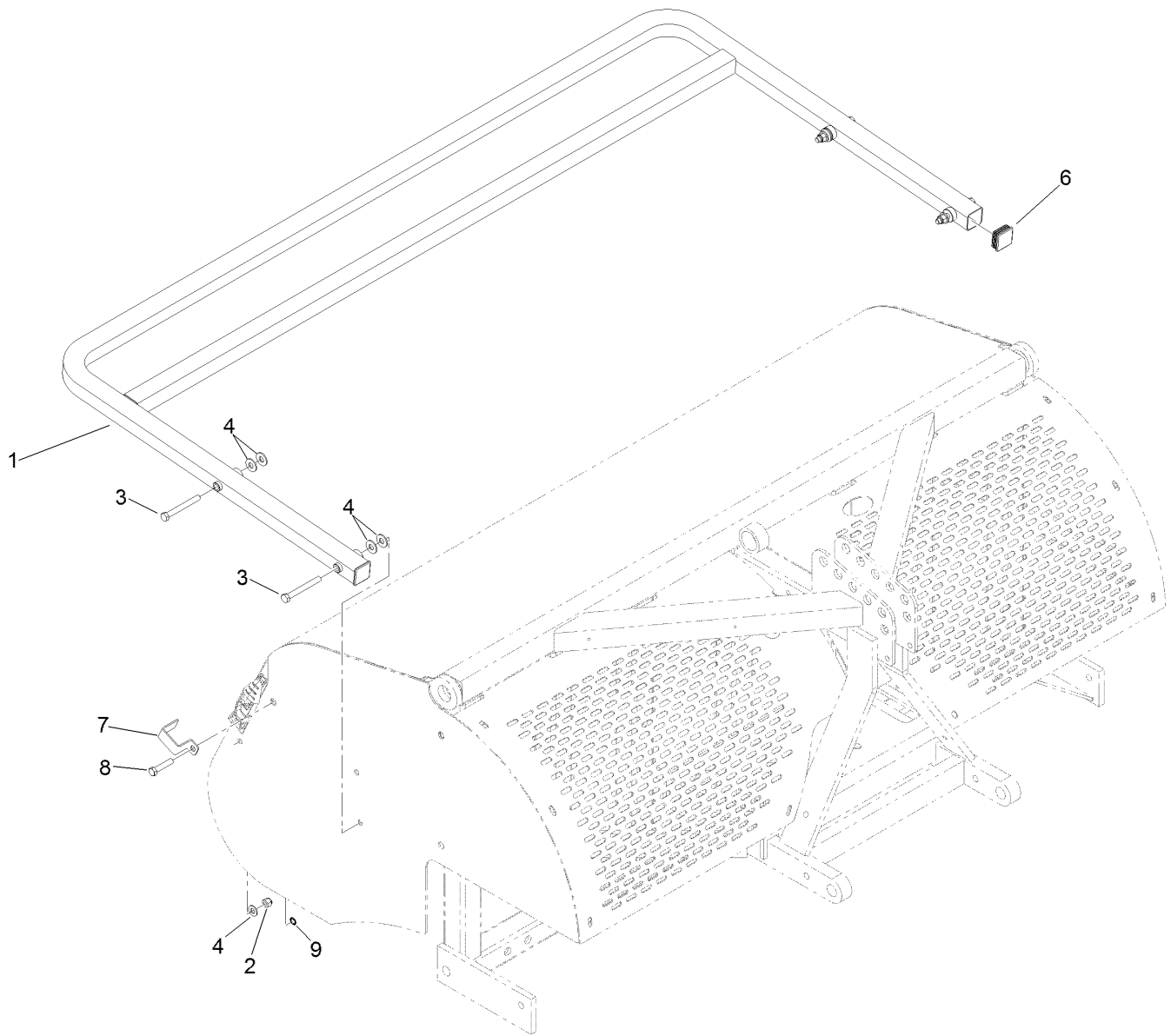
| Ref. | Part Number | Qty. | Description | Ref. | Part Number | Qty. | Description |
|------|-------------|------|-----------------|------|-------------|------|-------------------------|
| 1 | SG404070-03 | 6 | Head-Tine | 11 | | 12 | Spring ASM ● |
| 2 | 323-15 | 12 | Screw-HH | 11:1 | SG487256 | 3 | Wire-Draw, Spring |
| 3 | SG477125 | 18 | Screw-Set, SQH | 11:2 | SG487257 | 1 | Spring-Compression |
| 4 | SG487200 | 6 | Bumper-Head | 12 | SG486311 | 6 | Tube-Metal, Head Bumper |
| 5 | 3296-39 | 12 | Nut-Lock, NI | 13 | SG449126-03 | 12 | Post-Spring |
| 6 | SG447080 | 12 | Bushing-Flanged | 14 | 323-12 | 12 | Screw-HH |
| 7 | SG437100-03 | 6 | Spacer-Head | 15 | 325-6 | 12 | Screw-HH |
| 8 | SG449127-03 | 12 | Post-Spring | 16 | 3253-7 | 12 | Washer-Lock |
| 9 | SG449129 | 12 | Bolt-Shoulder | 17 | SGH08704-03 | 6 | Head-Tine, Adapter |
| 10 | SG487201 | 6 | Spacer-Plastic | | | | |

● Not serviced separately



Screen and Hood Assembly

| Ref. | Part Number | Qty. | Description | Ref. | Part Number | Qty. | Description |
|------|-------------|------|-----------------------|------|-------------|------|----------------------------|
| 1 | 119-3293-03 | 1 | Hood ASM | 18 | 117-7054 | 1 | Decal |
| 2 | 328-24 | 2 | Screw-HH | 19 | 3253-21 | 2 | Washer-Lock |
| 3 | 103-2898 | 2 | Latch-Rubber | 20 | 3256-14 | 4 | Washer-Flat |
| 4 | 3234-27 | 4 | Screw-HHF | 21 | 3296-2 | 4 | Nut-Lock, NI |
| 5 | 120-7255 | 1 | Front Right Guard ASM | 22 | 120-7256 | 1 | RH Shield ASM |
| 5:2 | 117-7050 | 1 | Decal-Warning, CE | 22:2 | 117-7051 | 1 | Decal-Danger, Keep Away CE |
| 6 | 117-7034-03 | 1 | Guard-Front. LH | 22:3 | 120-0625 | 1 | Decal-Warning, Pinch Point |
| 7 | 120-1021 | 2 | Bushing-Hood | 23 | 120-7257 | 1 | LH Shield ASM |
| 8 | 120-7273 | 2 | Strip-Rubber | 23:2 | 117-7051 | 1 | Decal-Danger, Keep Away CE |
| 9 | 3253-9 | 2 | Washer-Lock | 23:3 | 120-0625 | 1 | Decal-Warning, Pinch Point |
| 10 | 323-6 | 2 | Screw-HH | 24 | 94-2413 | 10 | Nut-U |
| 11 | 120-1011-03 | 4 | Bracket-Shield | 25 | 114-8418 | 10 | Screw-HWH, Sems |
| 12 | 3256-24 | 6 | Washer-Flat | 26 | 103-2897 | 2 | Latch-Catch |
| 13 | 3296-39 | 2 | Nut-Lock, NI | 27 | 321-3 | 2 | Screw-HH |
| 14 | 323-8 | 2 | Screw-HH | 28 | 120-1087 | 6 | Strip-Rubber |
| 15 | 108-3153 | 4 | Screw-HSBH | | | | |
| 16 | 104-7201 | 2 | Nut-HF | | | | |
| 17 | 117-7083 | 2 | Decal | | | | |



Rear Guard Assembly

| <i>Ref.</i> | <i>Part Number</i> | <i>Qty.</i> | <i>Description</i> |
|-------------|--------------------|-------------|--------------------|
| 1 | 120-7266-03 | 1 | Rear Guard ASM |
| 2 | 3296-39 | 4 | Nut-Lock, NI |
| 3 | 323-20 | 4 | Screw-HH |
| 4 | 80-6990 | 12 | Washer-Hardened |
| 6 | 120-7261 | 2 | Cap-End, Square |
| 7 | 110-4673 | 2 | Lock-Latch, CE |
| 8 | 323-53 | 2 | Screw-HH |
| 9 | 32151-72 | 2 | Ring-Retaining |

Attachments and Accessories

For 09931 ProCore SR54 Aerator

| Product Name | Model/Part |
|-------------------------------------------------------|-------------------|
| Rear Roller Kit | 09952 |
| 2x18mm Tine Head Adapter Kit | 117-7194 |
| 2x12mm or 2x5/16-inch Tine Head Adapter Kit | 117-7195 |
| 4x3/8-inch or 4x5/16-inch Tine Head Adapter Kit | 117-7196 |
| 8x3/8-inch Tine Head Adapter Kit | 117-7199 |

Notes:

Notes:

Notes:



Count on it.