



Count on it.

Parts Catalog

Multi Pro® 1750 Turf Sprayer

Model No. 41188—Serial No. 314000001 and Up



Ordering Replacement Parts

To order replacement parts, please supply the part number, the quantity, and the description of each part desired.

Understanding Reference Numbers

Each identified part in an illustration has a reference number. The reference number for a part also appears in the parts list, along with other information about the part.

This catalog uses two special reference number formats, one to indicate parts in a service assembly and another to indicate the quantity of a given part in an illustration.

Service Assembly Reference Numbers

Parts in service assemblies have reference numbers in the form a:b. The a represents the reference number of the entire service assembly and the b represents a sequential number unique to each part within the service assembly.

For example, a wheel assembly might be identified by reference number 6, the tire by 6:1, the valve by 6:2, and the wheel by 6:3. When you order the assembly identified by reference number 6, you receive all parts identified by reference numbers 6:1, 6:2, and 6:3. However, you may also order any part individually. Reference numbers of this type appear in illustration and in parts lists.

Reference Numbers Indicating Quantity

In an illustration, if a reference number indicates more than one part, the reference number has the form nX y. The n represents the quantity of the part, the X is the multiplication symbol, and the y represents the reference number.

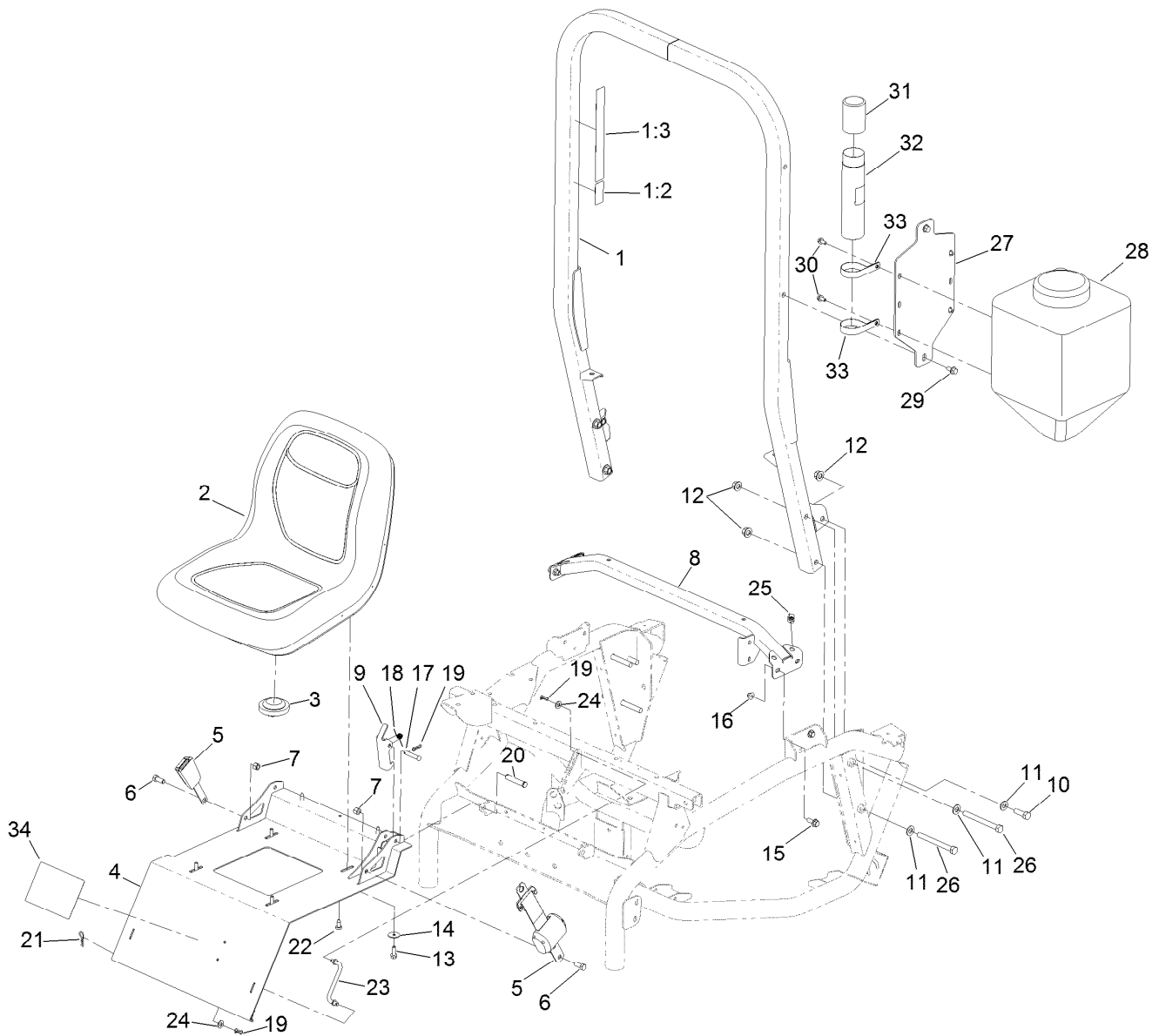
For example, in an illustration, the reference number 2X 37 means that two of the parts identified by reference number 37 are indicated.

Contents

Seat and Roll-Over Protection System Assembly	5
Fresh Water Tank Assembly No. 117-7901	6
Frame Assembly	7
Rear Drive Assembly	8
Case Assembly Transaxle Assembly No. 120-7610	10
Gear Shaft Assembly Transaxle Assembly No. 120-7610	12
Countershaft Assembly Transaxle Assembly No. 120-7610	13
Shift Fork Assembly Transaxle Assembly No. 120-7610	14
Differential Gear Assembly Transaxle Assembly No. 120-7610	15
Driveshaft Assembly No. 114-8367	16
Brake Caliper Assembly No. 119-9535	17
Brake Hydraulic Assembly	18
Master Cylinder Assembly No. 104-6782	19
Front Suspension Assembly	20
Coil Over Shock Assembly No. 120-7616	22
Hydraulic Cylinder Assembly No. 125-0720	23
Pedal Assembly	24
Parking Brake Lever and Cable Assembly	25
Console and Controller Assembly	26
Shift Control Assembly	27
Shift Assembly No. 106-7887	28
Control Console Assembly	29
Hood, Dash and Headlight Assembly	30
Seat Base and Front Fender Assembly	31
Hydraulic Steering Assembly	32
Hydraulic Pump Assembly No. 121-6545	34
Steer Valve Assembly No. 117-0707	35
Boom Lift Hydraulic Assembly	36
Hydraulic Cylinder Assembly No. 117-0701	37
On-Off Boom Lift Valve No. 117-0702	38
Engine Mounting Assembly	39
Pump Assembly No. 120-8630	41
Exhaust Assembly	42
Fuel Tank, Filter and Line Assembly	43
Fuel Tank Assembly No. 115-9048	44
Driveshaft Connection Assembly	45
Driveshaft Assembly No. 119-6040	46
Clutch and Bell Housing Assembly	47
Spray Tank Assembly	48
Suction Filter Assembly No. 125-8006	49
Tank Assembly	50
Spray Tank Lid Assembly No. 119-9380	51
Spray Tank Valve Assembly	52
Bypass Manifold Assembly No. 125-0613	53
Flow Meter Assembly No. 106-1038	54
Boom Manifold Assembly No. 125-0616	55
Agitation Manifold Valve Assembly	56
Hose Assembly	57
Main Wiring Harness and battery Assembly	59
Center Boom Mount Assembly	60
LH Single Turret Body Assembly No. 108-3725	61
Double Turret Body Assembly No. 108-3727	62
RH Single Body Turret Assembly No. 108-3726	63
Boom Pivot Assembly	64

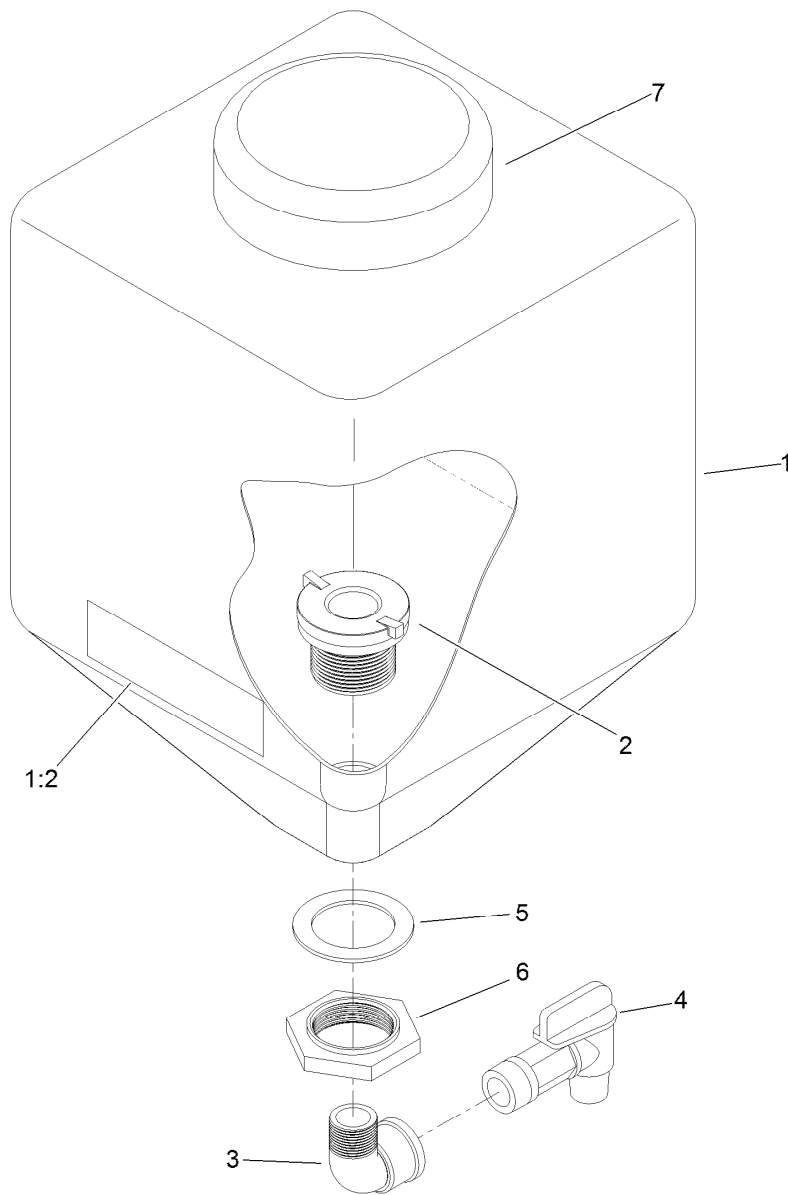
Contents (continued)

Left and Right Hand Boom Assembly 65
Attachments and Accessories 66



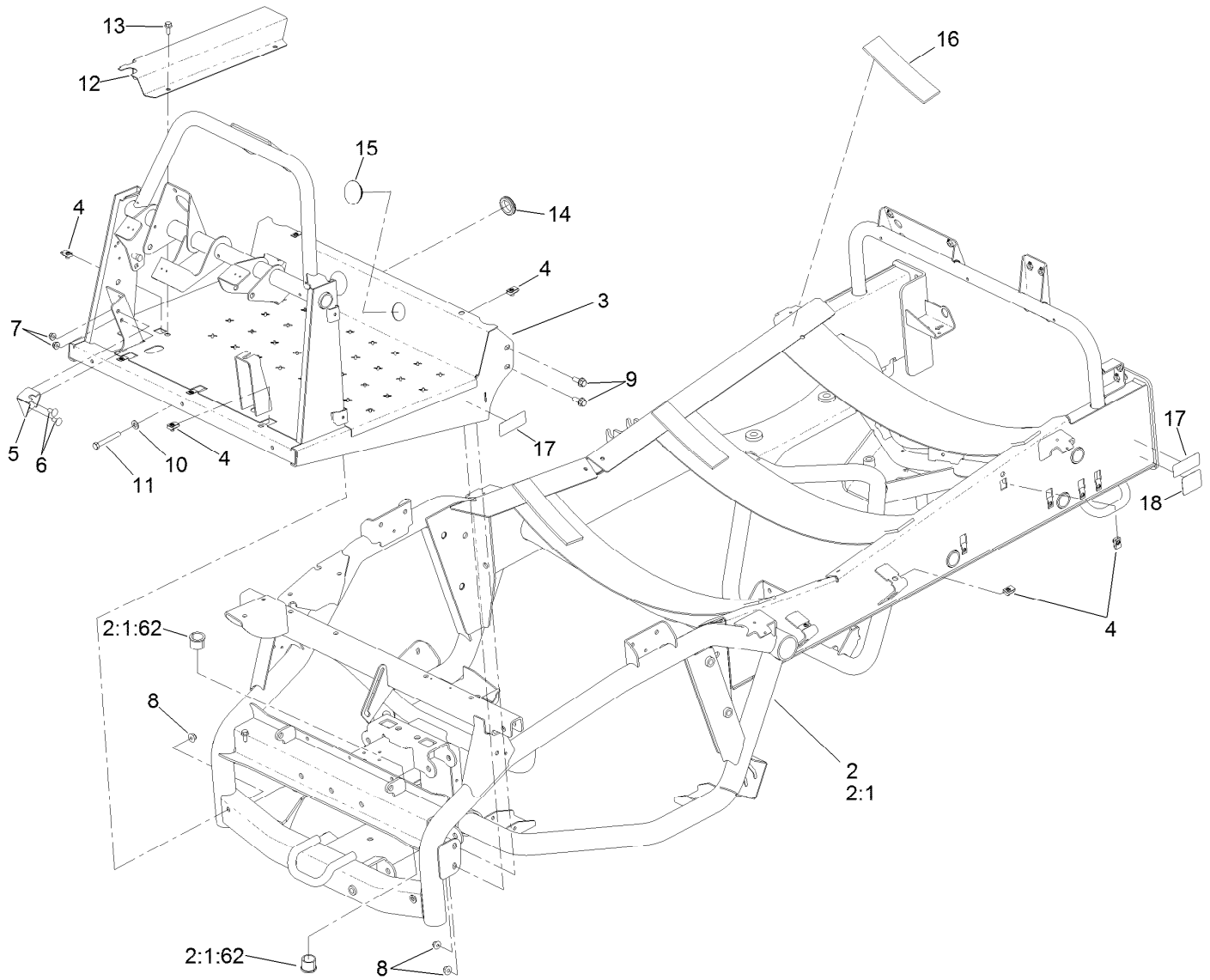
Seat and Roll-Over Protection System Assembly

<i>Ref.</i>	<i>Part Number</i>	<i>Qty.</i>	<i>Description</i>	<i>Ref.</i>	<i>Part Number</i>	<i>Qty.</i>	<i>Description</i>
1	127-3918	1	ROPS ASM	17	283-82	1	Pin-Clevis
1:2	120-8569	1	Decal-Compliance, ROPS	18	104-4821	1	Spring-Torsion
1:3	127-3939	1	Decal-ROPS	19	119-1415	3	Pin-Cotter, Locking
2	112-2923	1	Seat ASM	20	100-6541	2	Pin-Clevis
3	100-3524	1	Switch-Seat	21	3290-467	2	Pin-Hair
4	125-0872-03	1	Plate-Seat	22	87-8460	3	Bumper-Rubber
5	110-0413	1	Seatbelt-Retractable	23	125-0909	1	Rod-Prop, Seat
6	3212-4	2	Screw-HH	24	3256-24	2	Washer-Flat
7	3296-7	2	Nut-Lock	25	94-2413	2	Nut-U
8	125-0910-03	1	Crossmember-Seat	26	325-19	4	Screw-HH
9	125-0916	1	Latch-Seat	27	120-0763-03	1	Plate-Fresh Water
10	325-6	2	Screw-HH	28	117-7901	1	Fresh Water Tank ASM
11	3256-26	6	Washer-Flat	29	3234-1	2	Screw-HHF
12	99-5107	6	Nut-Lock	30	3234-14	4	Screw-HHF
13	33104-025	4	Screw-HHF	31	104-7048	1	Cap-Housing
14	3256-57	4	Washer-Flat	32	104-7050	1	Tube-Manual
15	3234-42	4	Screw-HHF	33	2412-133	2	Clamp-R
16	104-8301	4	Nut-HF, NI	34	127-3938	1	Decal-Service/Maintenance



Fresh Water Tank Assembly No. 117-7901

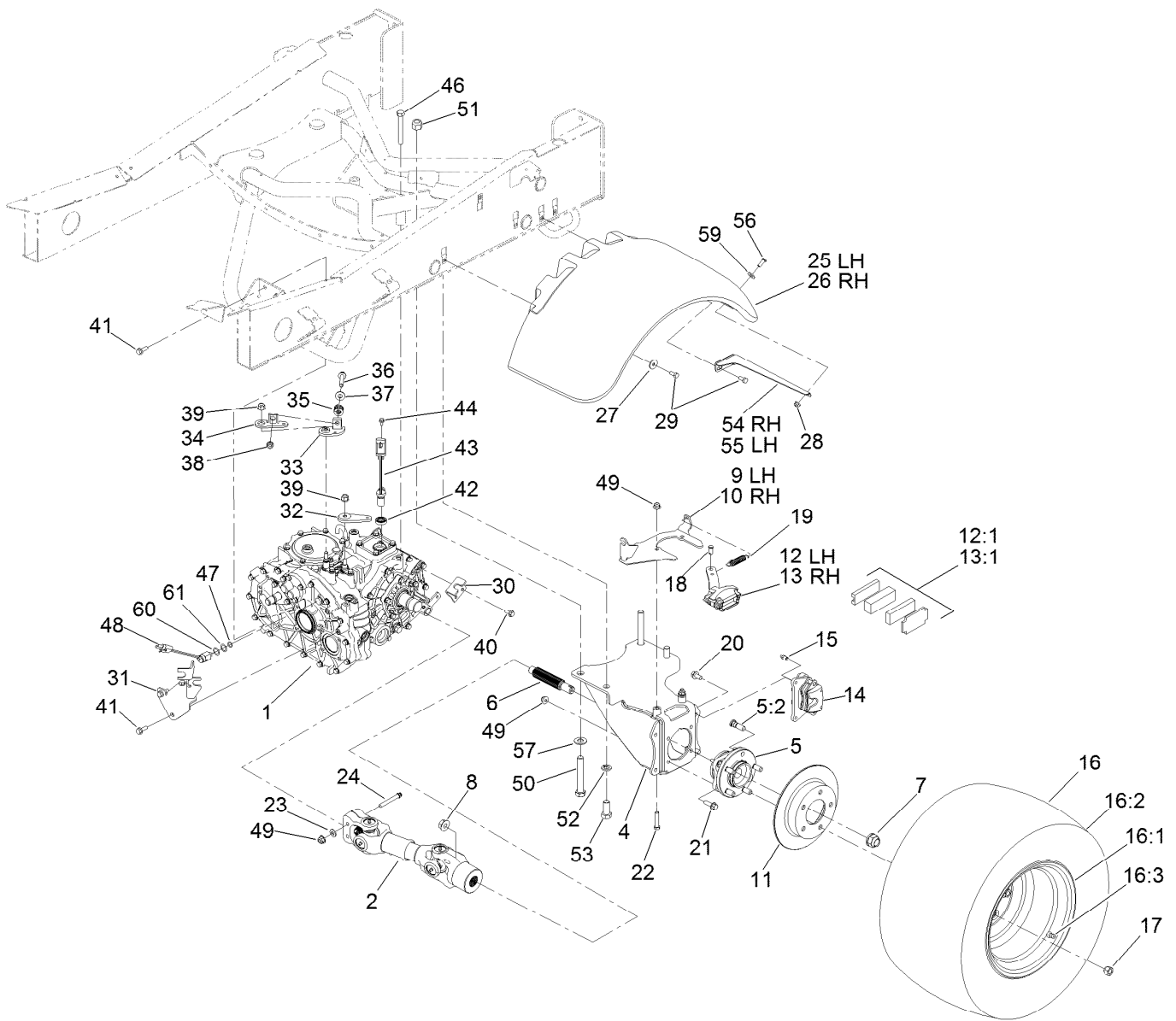
<i>Ref.</i>	<i>Part Number</i>	<i>Qty.</i>	<i>Description</i>
1	127-3983	1	Tank-Water, Fresh
1:2	120-0616	2	Decal-Water, Fresh
2	117-7998	1	Bulkhead
3	119-0524	1	Elbow
4	106-4925	1	Spigot-90 DEG
5	119-0526	1	Bulkhead-Washer
6	119-0525	1	Bulkhead-Nut
7	99-0613	1	Cap-Tank



Frame Assembly

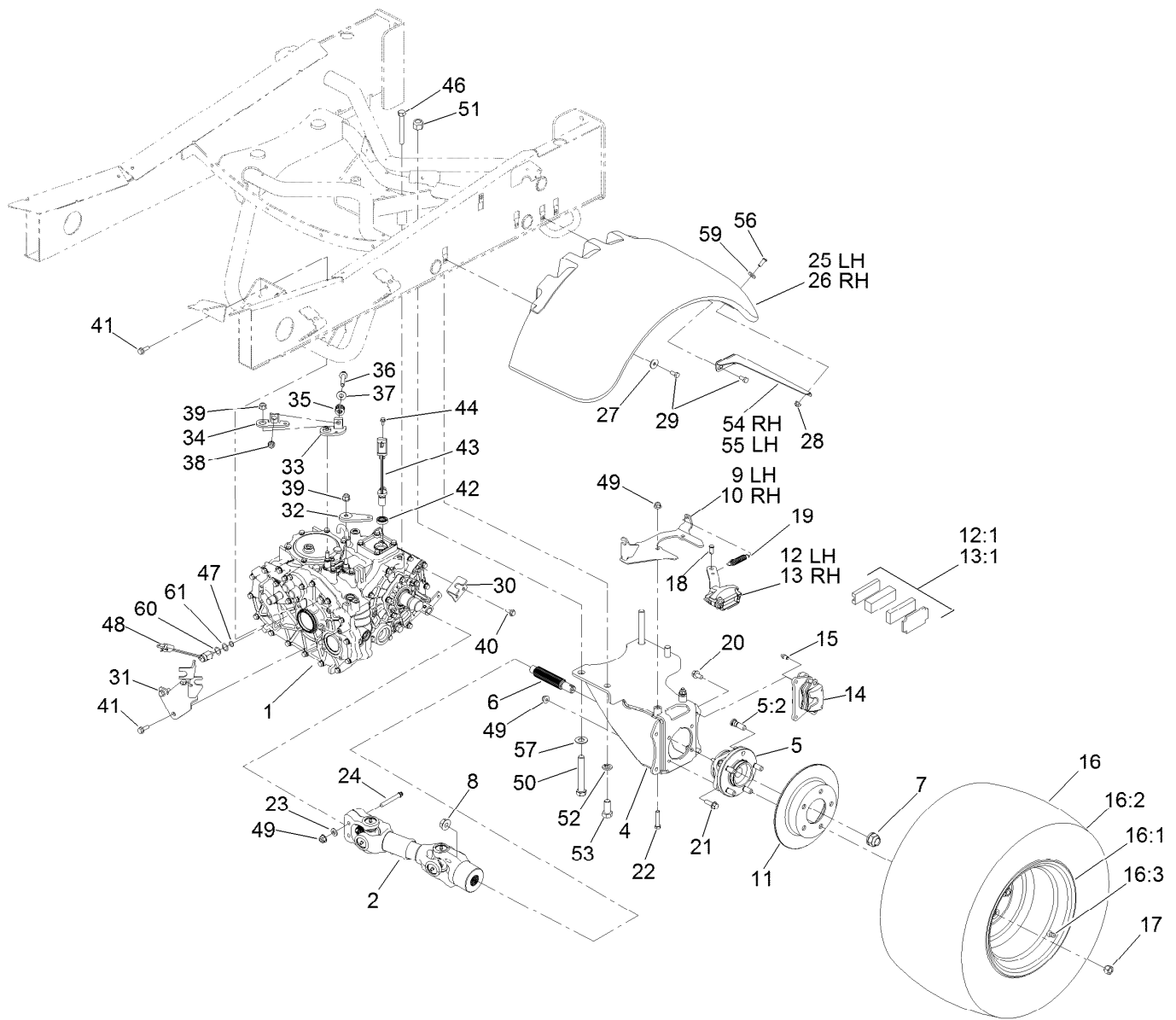
Ref.	Part Number	Qty.	Description	Ref.	Part Number	Qty.	Description
2	121-6501-03	1	Frame ASM	10	3256-24	2	Washer-Flat
2:1		1	Frame ASM ●	11	323-13	2	Screw-HH
2:1:62	104-0015	2	Bushing-Flange	12	125-0871-03	1	Cover-Hose
3	125-0812-03	1	Platform	13	3234-47	2	Screw-HHF
4	94-2413	19	Nut-U	14	240-3	2	Grommet-Rubber
5	106-2421	1	Bracket-Mount, Cable	15	121-3397	2	Plug-Grommet
6	3230-1	2	Bolt-CARR	16	125-8094	6	Pad-Tank
7	104-8300	2	Nut-HF, NI	17	106-9206	4	Decal-Torque, Wheel
8	104-8301	6	Nut-HF, NI	18	125-6694	3	Decal-Tie Down
9	3234-42	4	Screw-HHF				

● Not serviced separately



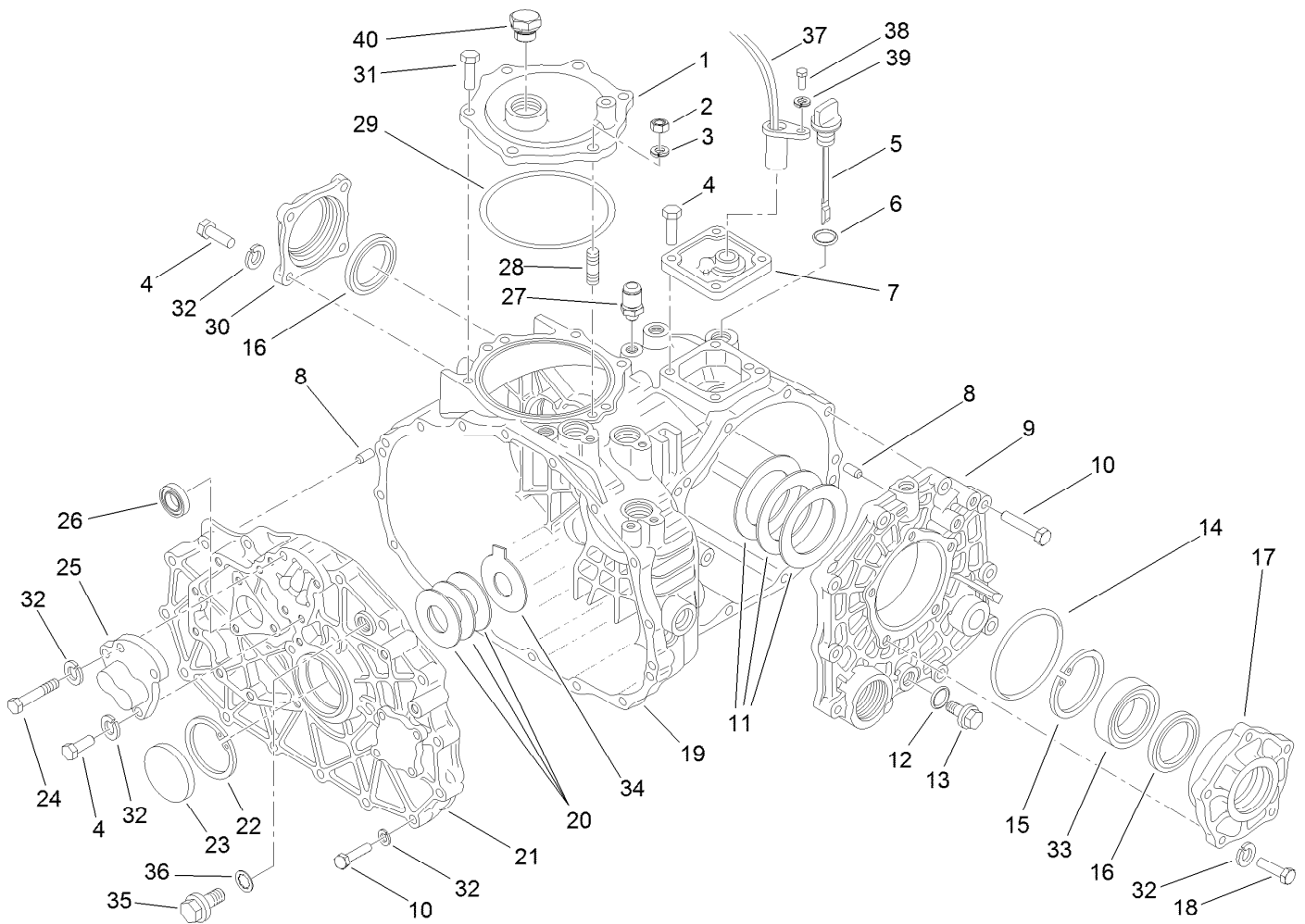
Rear Drive Assembly

Ref.	Part Number	Qty.	Description	Ref.	Part Number	Qty.	Description
1	120-7610	1	Transaxle ASM	17	242-50	10	Nut-Lug
2	114-8367	2	Driveshaft ASM	18	283-85	2	Pin-Clevis
4	125-0928-03	2	RH Hub ASM	19	104-6415	2	Spring-Return, Pedal
5	121-9751	2	Hub-Bearing, Wheel	20	3234-1	4	Screw-HHF
5:2	121-9752	5	Stud-Wheel	21	3234-24	8	Screw-HHF
6	115-7771	2	Shaft, Splined	22	323-9	4	Screw-HH
7	115-2164	2	Nut-Spindle	23	80-6990	4	Washer-Hardened
8	104-0753	2	Nut-Flange	24	98-2939	4	Screw-Cap
9	115-2362-03	1	Bracket-Caliper, LH	25	112-6805	1	Fender
10	115-2359-03	1	Bracket-Caliper, RH	26	112-6806	1	Fender
11	114-8351	2	Rotor-Brake	27	3256-82	6	Washer-Flat
12	114-8365	1	Caliper-Mechanical, LH	28	104-8300	2	Nut-HF, NI
12:1	115-7847	1	Parking Brake Pad Kit	29	322-5	10	Screw-HH
13	114-8366	1	Caliper-Mechanical, RH	30	87-4470	1	Bracket-Lock, Differential
13:1	115-7847	1	Parking Brake Pad Kit	31	107-8749-03	1	Bracket-Cable
14	119-9535	2	Brake Caliper ASM	32	87-7960	1	Lever-Shift
15	119-9509	2	Screw-Bleed	33	87-7970	1	Arm-Shift
16	117-4838	2	Tire And Wheel ASM	34	87-8250	1	Plate-Arm, Shift
16:1	114-8259	1	Wheel	35	87-6910	1	Spring-Compression
16:2	110-5132	1	Tire	36	66-9302	1	Screw-HHF, Whiz
16:3	232-27	1	Stem-Valve	37	3256-4	1	Washer-Flat



Rear Drive Assembly (continued)

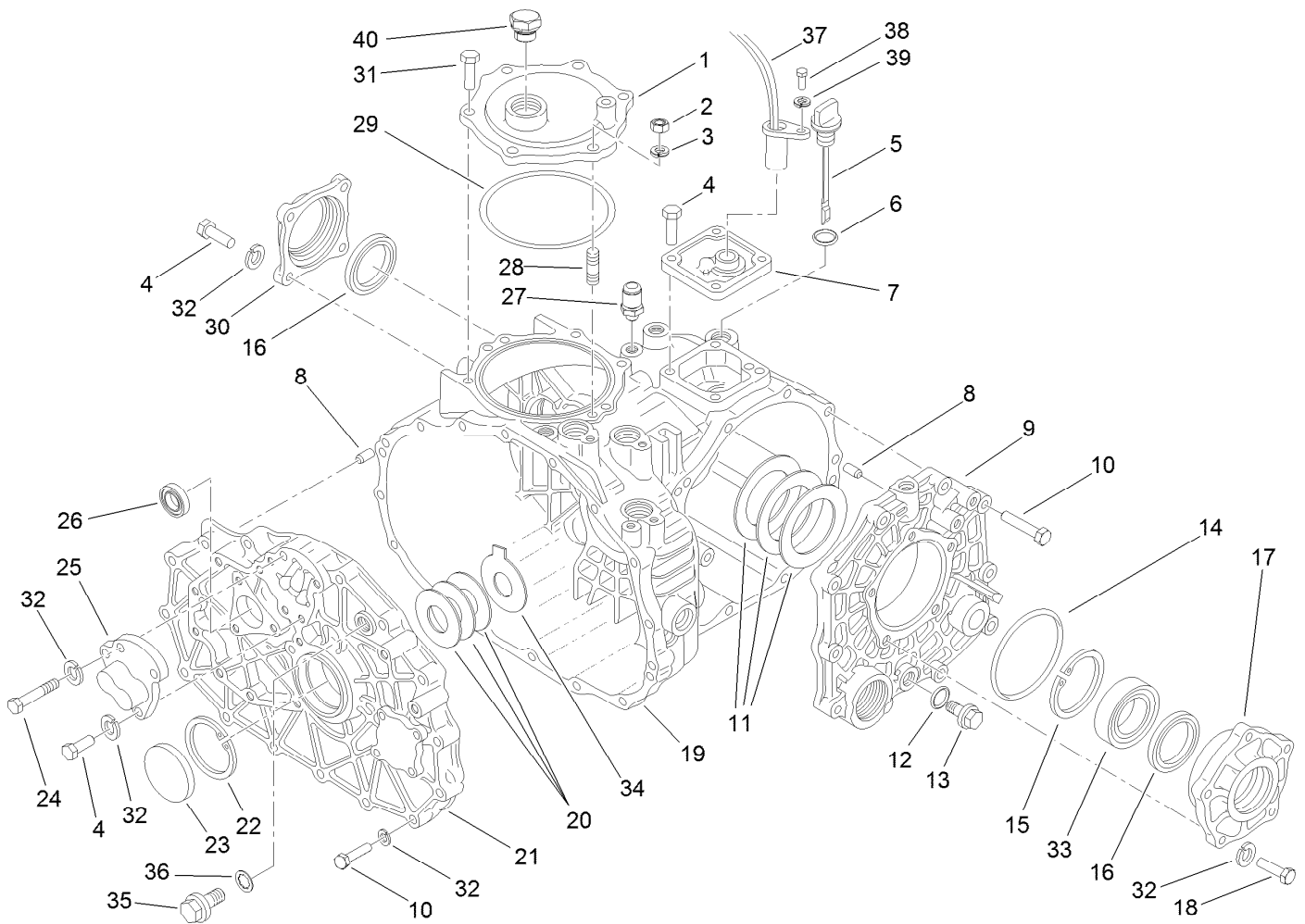
Ref.	Part Number	Qty.	Description	Ref.	Part Number	Qty.	Description
38	3290-357	1	Nut-HHF, Whiz	50	327-29	4	Screw-HH
39	103-9511	2	Nut-Lock, NI	51	127-3958	4	Nut-Lock, NI
40	98-7977	2	Screw-HHF	52	3253-23	4	Washer-Lock/Sp
41	33104-025	7	Screw-HHF	53	327-4	4	Screw-HH
42	92-3735	1	Seal-Oil, Sensor	54	125-7959-03	1	Bracket-Fender
43	120-4800	1	Sensor-Geartooth	55	125-7960-03	1	Bracket-Fender
44	33103-012	1	Screw-HHF	56	3274-32	2	Screw-HSBH
46	33116-090	2	Screw-HH	57	3256-27	4	Washer-Flat
47	237-30	1	O-Ring	59	3256-71	2	Washer-Flat
48	87-6710	1	Switch-Transmission	60	125-8106	1	Shim
49	104-8301	16	Nut-HF, NI	61	125-8107	1	Shim



Case Assembly Transaxle Assembly No. 120-7610

<i>Ref.</i>	<i>Part Number</i>	<i>Qty.</i>	<i>Description</i>	<i>Ref.</i>	<i>Part Number</i>	<i>Qty.</i>	<i>Description</i>
1	100-8595	1	Cover-PTO	18	48-7730	5	Screw-Cap, HH
2	48-7930	1	Nut	19	92-0651	1	Case-Transmission
3	92-0762	1	Washer-Spring	20	100-4460	1	Shim-Set
4	33114-025	11	Screw-HH	21	100-4461	1	Plate-Center
5	92-0662	1	Cap-Oil	22	92-0759	1	Ring-Snap
6	92-0788	1	O-Ring	23	92-0807	1	Cap-Sealing
7	92-3736	1	Cover ASM	24	48-7560	1	Bolt-HH
8	92-0765	4	Pin-Parallel	25	92-0706	1	Shaft-Fork
9	92-0653	1	Cover-Side	26	92-0791	1	Seal-Oil
10	33114-040	25	Screw-HH	27	127-3925	1	Breather
11	92-0809	1	Set-Shim	28	92-0804	1	Stud
12	92-0787	1	O-Ring	29	92-0790	1	O-Ring
13	92-0773	1	Plug-Drain	30	92-0655	1	Cover-Seal, Axle
14	92-0789	1	O-Ring	31	92-0796	5	Bolt
15	92-0760	1	Ring-Snap	32	3253-4	42	Washer-Lock
16	92-0793	2	Seal-Oil	33	92-0775	2	Bearing
17	92-0654	1	Carrier-Differential	34	100-4465	1	Shim (W/Tab)

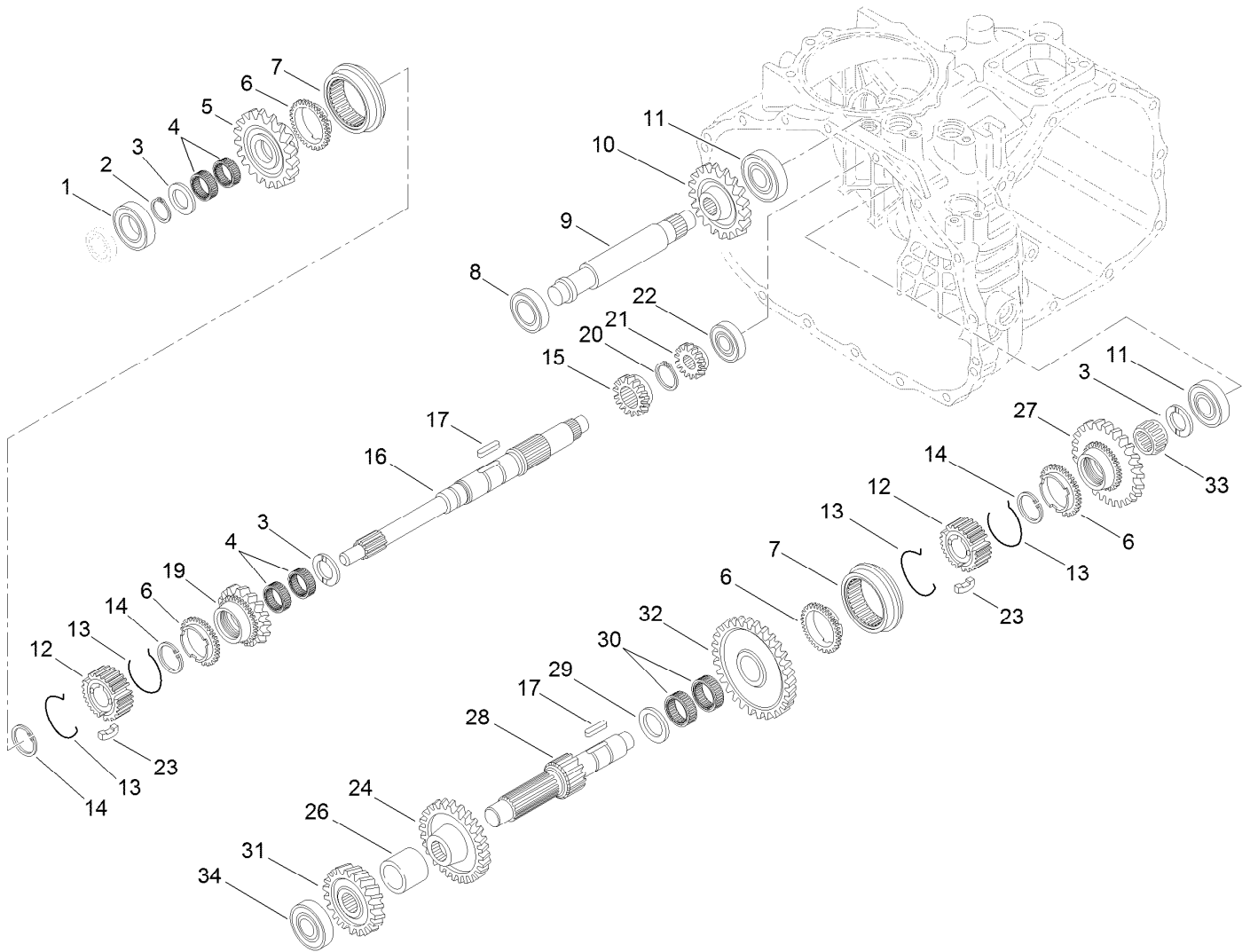
● Not illustrated



Case Assembly Transaxle Assembly No. 120-7610 (continued)

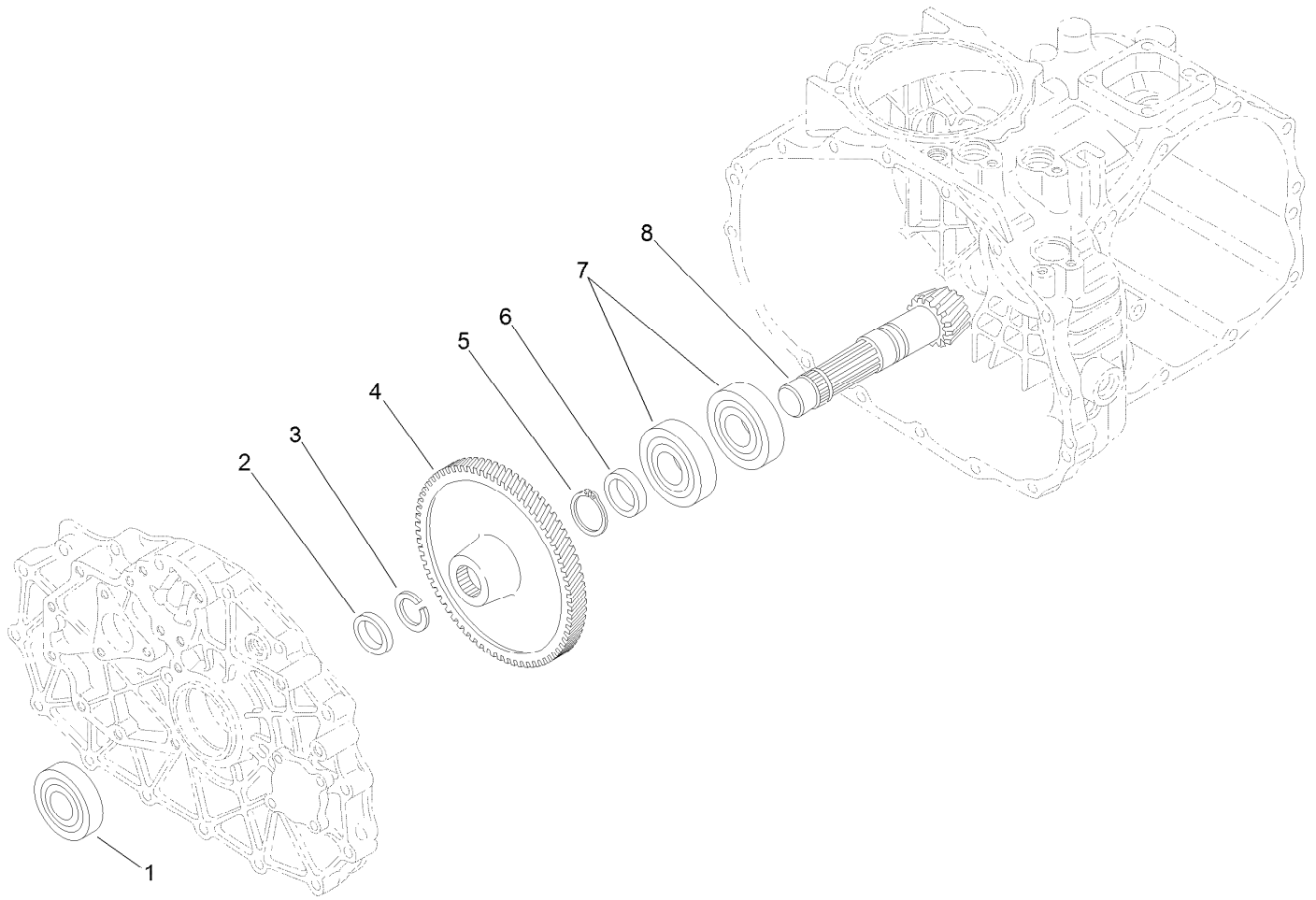
<i>Ref.</i>	<i>Part Number</i>	<i>Qty.</i>	<i>Description</i>	<i>Ref.</i>	<i>Part Number</i>	<i>Qty.</i>	<i>Description</i>
35	100-6924	1	Plug	39	48-8020	1	Washer-Spring
36	100-6925	1	Packing	40	110-5196	2	Plug-Transaxle
37	120-4800	1	Sensor-Gear tooth	99	100-6928	1	Bolt ●
38	48-7610	1	Screw	99	100-8594	1	Cover-Shaft, Input ●

● Not illustrated



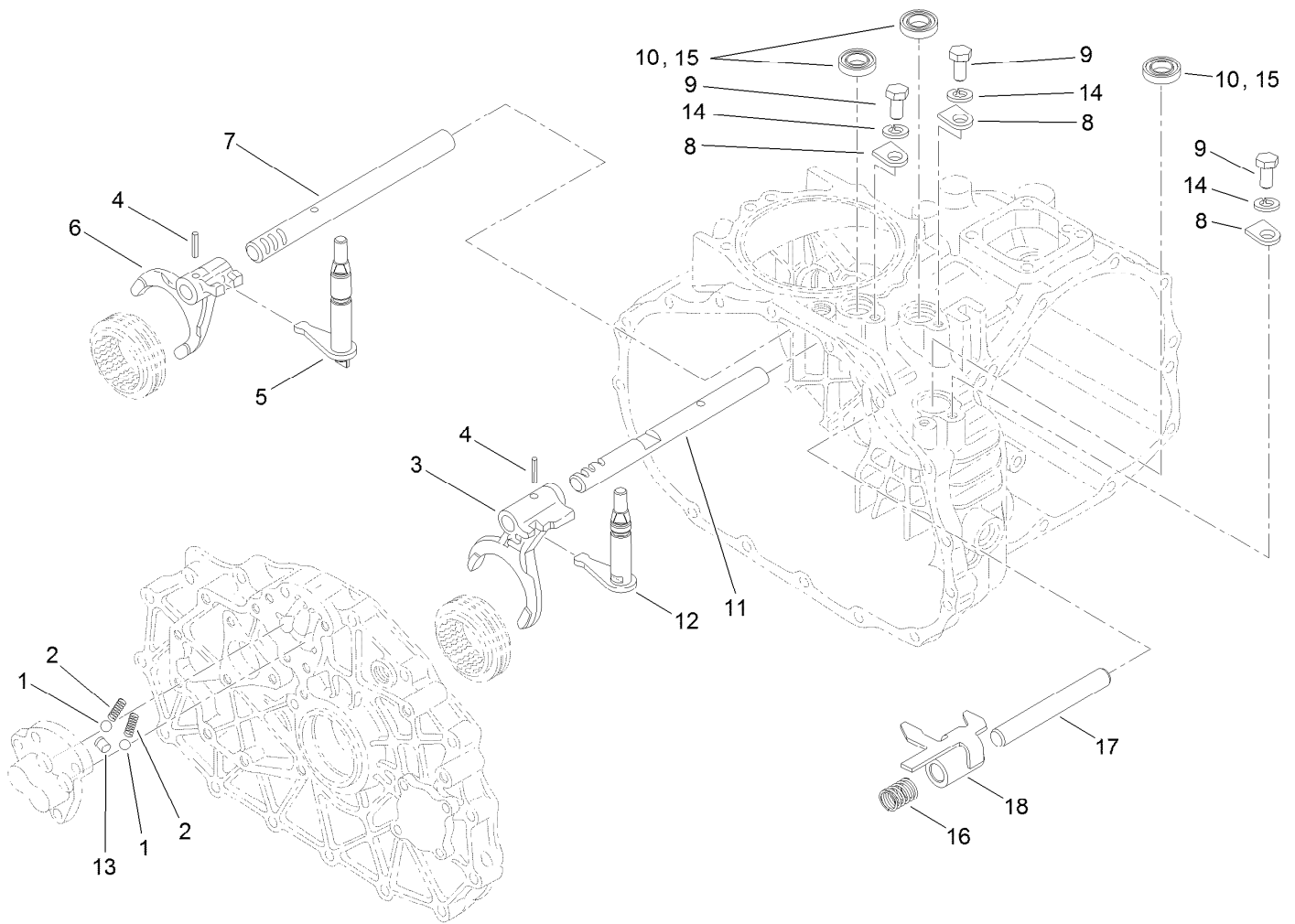
Gear Shaft Assembly Transaxle Assembly No. 120-7610

<i>Ref.</i>	<i>Part Number</i>	<i>Qty.</i>	<i>Description</i>	<i>Ref.</i>	<i>Part Number</i>	<i>Qty.</i>	<i>Description</i>
1	251-8	1	Bearing-Ball	17	92-0772	2	Key
2	92-0753	1	Ring-Snap	19	127-3926	1	Gear-Main, 23T
3	92-0740	3	Washer-Thrust	20	92-0754	1	Ring-Snap
4	92-0781	4	Bearing-Needle	21	92-0673	1	Gear-Main, 14 Tooth
5	108-3694	1	Gear-Main, 36T	22	92-0650	1	Bearing
6	92-0667	3	Ring-Synchro	23	92-0665	6	Key-Synchro
7	92-0668	2	Shifter-Synchro	24	127-3928	1	Gear-Reduction, 31T
8	251-346	2	Bearing-Ball	26	100-8601	1	Collar
9	100-8602	1	Shaft-Idler, Reverse	27	92-0819	1	Gear-Reduction, 40 Tooth
10	92-0684	1	Gear-Reverse, 33 Tooth	28	127-3927	1	Shaft-Reduction
11	92-0778	2	Bearing	29	92-0682	1	Washer-Thrust
12	92-0664	2	Hub-Synchro	30	92-0681	2	Bearing-Needle
13	92-0666	4	Spring-Synchro	31	100-8599	1	Gear-Red, 25 Tooth
14	92-0763	3	Ring-Snap	32	108-3697	1	Gear-Reduction, 47T
15	127-3969	1	Gear-Main, 20T	33	92-0782	1	Bearing-Needle
16	100-8596	1	Shaft-Main	34	105-7985	1	Bearing



Countershaft Assembly Transaxle Assembly No. 120-7610

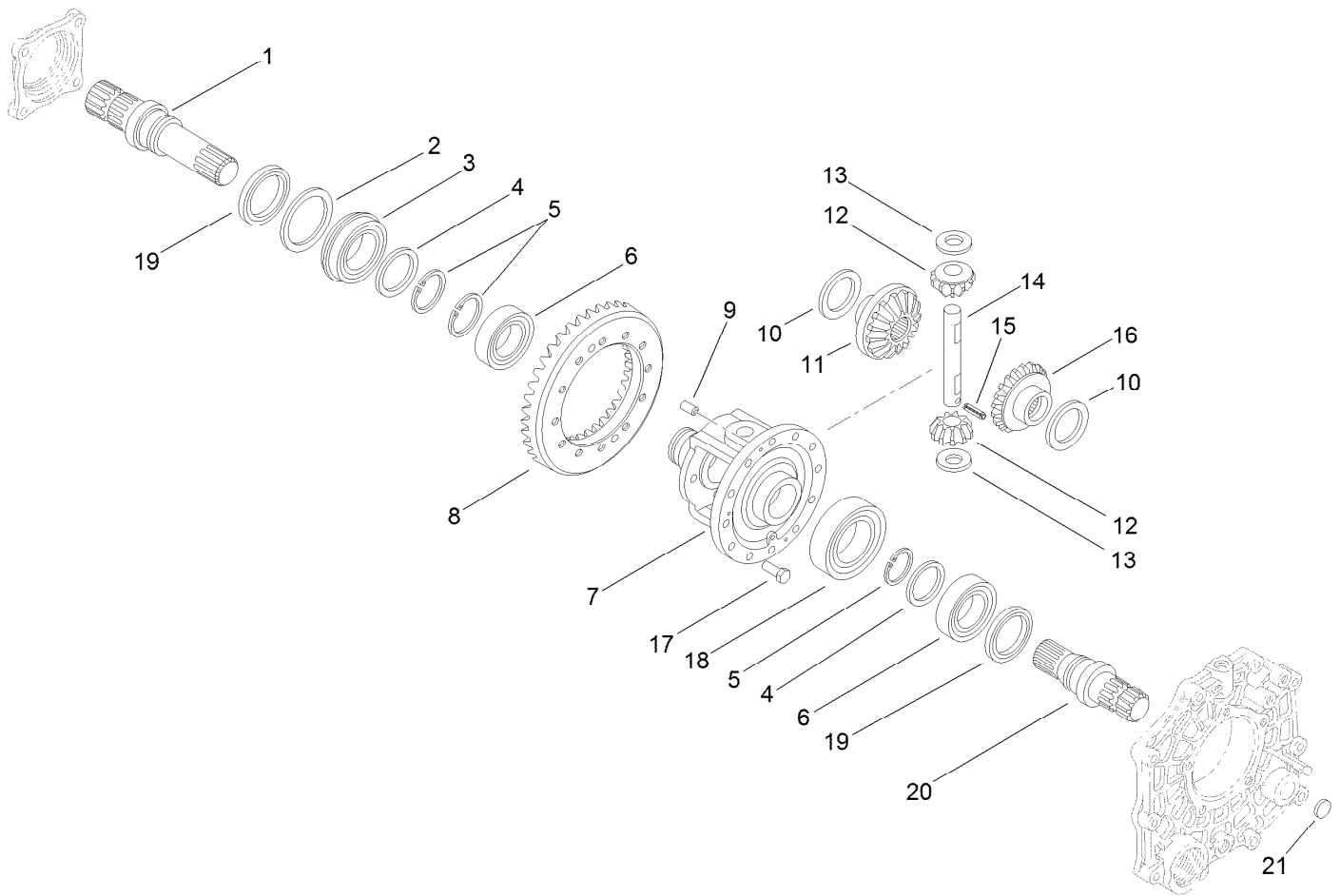
<i>Ref.</i>	<i>Part Number</i>	<i>Qty.</i>	<i>Description</i>
1	92-0712	1	Bearing-Ball
2	92-0716	1	Collar
3	92-0764	1	Ring-Snap
4	127-3934	1	Gear-Counter, 71T
5	92-0755	1	Ring-Snap
6	92-0713	1	Collar
7	92-0714	2	Bearing
8	92-0710	1	Gear-Ring



Shift Fork Assembly Transaxle Assembly No. 120-7610

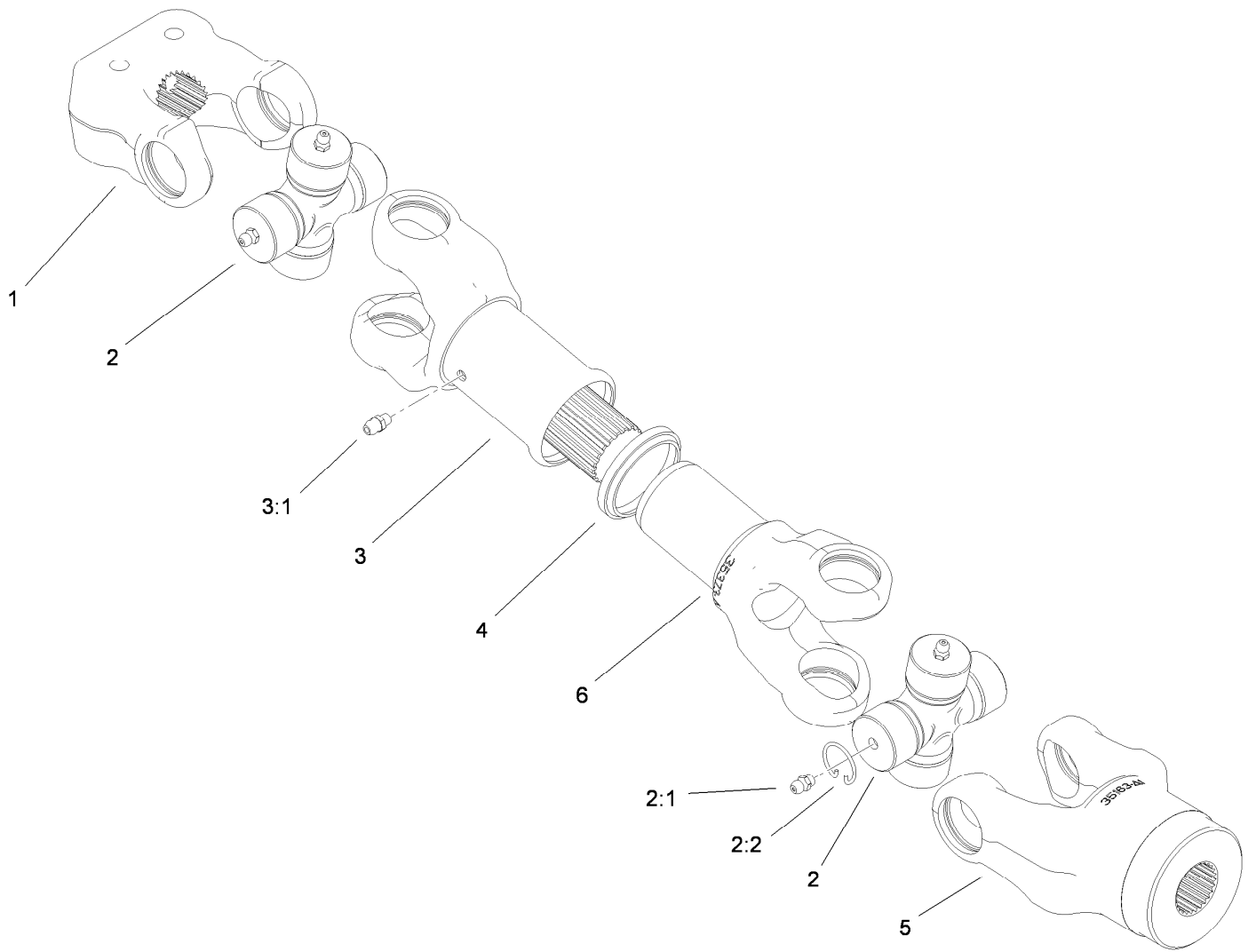
<i>Ref.</i>	<i>Part Number</i>	<i>Qty.</i>	<i>Description</i>
1	92-0785	3	Ball-Steel
2	92-0731	3	Spring
3	92-0700	1	Fork-Shift
4	92-0769	2	Pin-Roll
5	127-3930	1	Arm-Shift
6	92-0701	1	Fork-Shift
7	92-0699	1	Shaft-Fork
8	92-0732	3	Plate-Keeper
9	33114-016	3	Screw-HH

<i>Ref.</i>	<i>Part Number</i>	<i>Qty.</i>	<i>Description</i>
10	92-0729	3	Seal-Oil
11	92-0698	1	Shaft-Fork
12	127-3929	1	Arm-Shift
13	92-0705	1	Lock-Spindle
14	3253-4	3	Washer-Lock
15	100-6927	1	Cap-Sealing
16	127-3931	1	Spring-Switch
17	127-3932	1	Shaft-Switch
18	127-3933	1	Plate-Switch



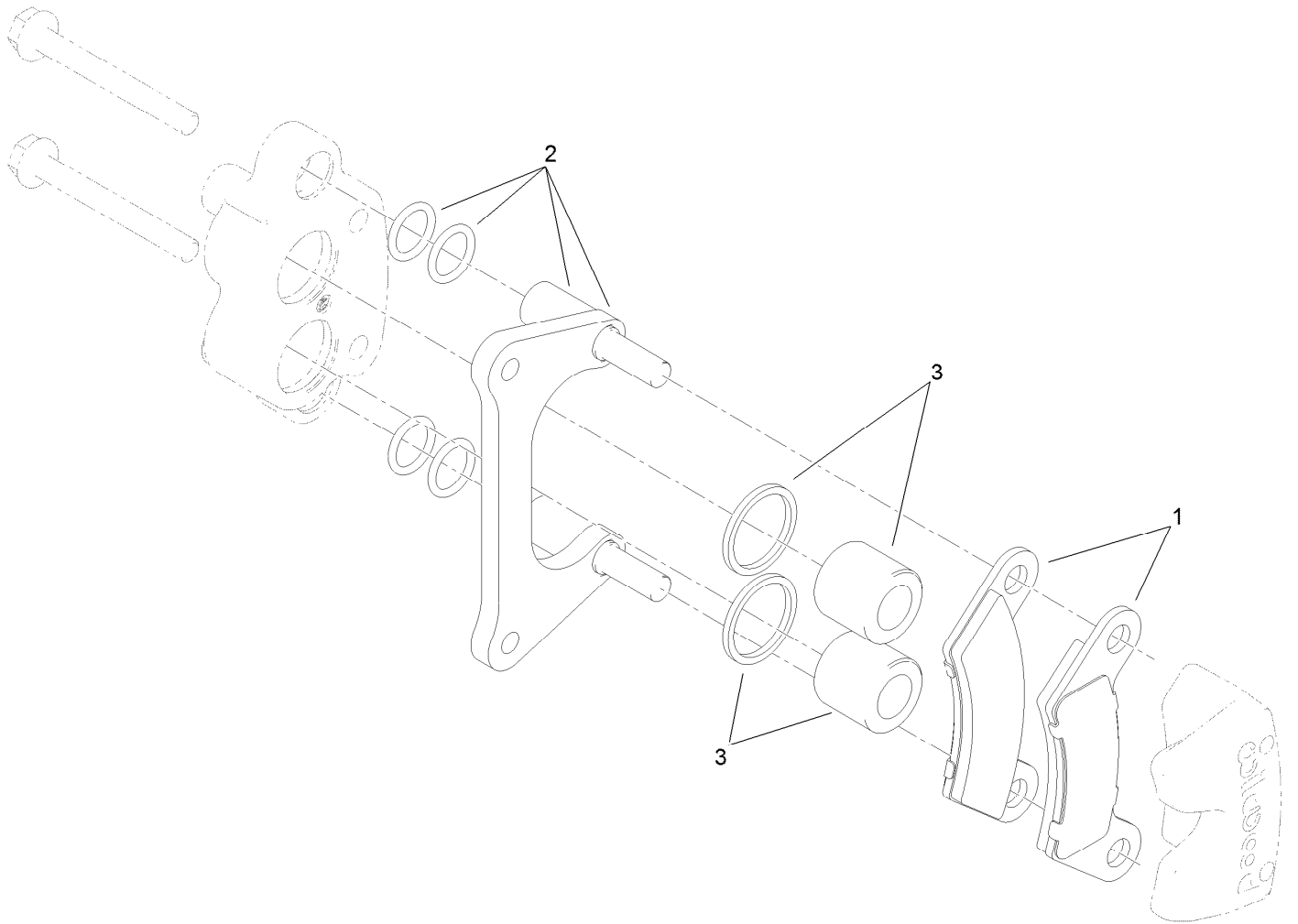
Differential Gear Assembly Transaxle Assembly No. 120-7610

<i>Ref.</i>	<i>Part Number</i>	<i>Qty.</i>	<i>Description</i>	<i>Ref.</i>	<i>Part Number</i>	<i>Qty.</i>	<i>Description</i>
1	92-0726	1	Shaft-Axle, Right	11	92-0746	1	Gear-Side, RH
2	92-0728	1	Washer	12	92-0748	2	Pinion-Differential
3	92-0780	1	Bearing	13	92-0750	2	Washer
4	92-0727	2	Washer	14	92-0749	1	Shaft-Pinion
5	92-0756	3	Ring-Snap	15	92-0768	2	Pin-Roll, Spring
6	92-0775	2	Bearing	16	92-0745	1	Gear-Side, LH
7	92-0720	1	Case-Differential	17	92-0803	12	Bolt
8	92-0710	1	Ring Gear ASM (Incl. Counter Shaft)	18	92-0776	1	Bearing
9	92-0765	2	Pin-Parallel	19	92-0793	2	Seal-Oil
10	92-0747	2	Side-Gear, Left Inner	20	92-0725	1	Shaft-Axle, Left
				21	100-6926	1	Cap-Sealing



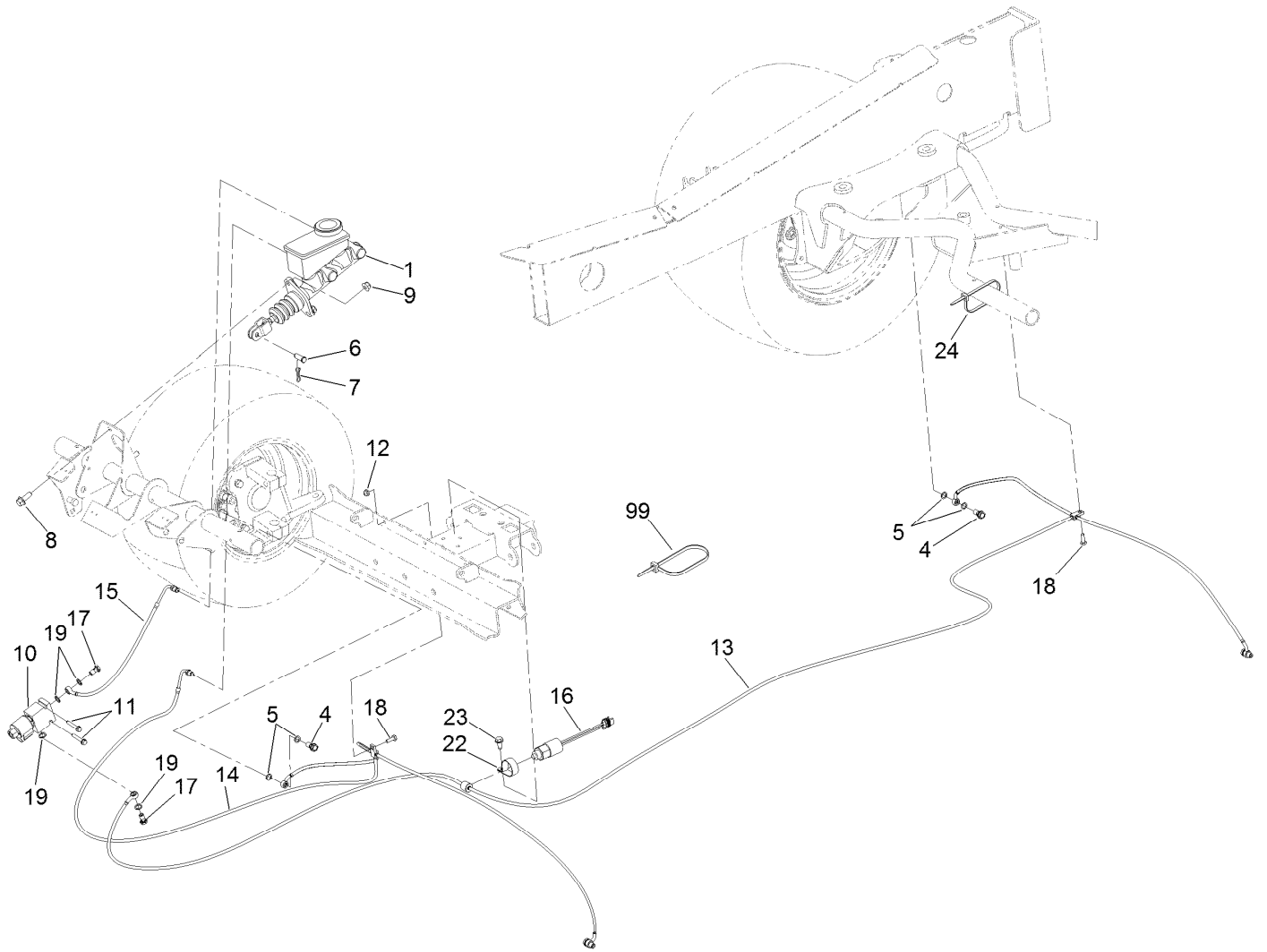
Driveshaft Assembly No. 114-8367

Ref.	Part Number	Qty.	Description
1	98-2940	1	Yoke
2	92-4187	2	Cross And Bearing Kit
2:1	302-58	4	Fitting-Straight
2:2	92-4188	4	Ring-Snap
3	92-4179	1	Yoke-Tube, Shaft And Seal
3:1	302-5	1	Fitting-Grease
4	92-4180	1	Seal
5	115-2351	1	Yoke
6	92-4182	1	Yoke-Telescoping



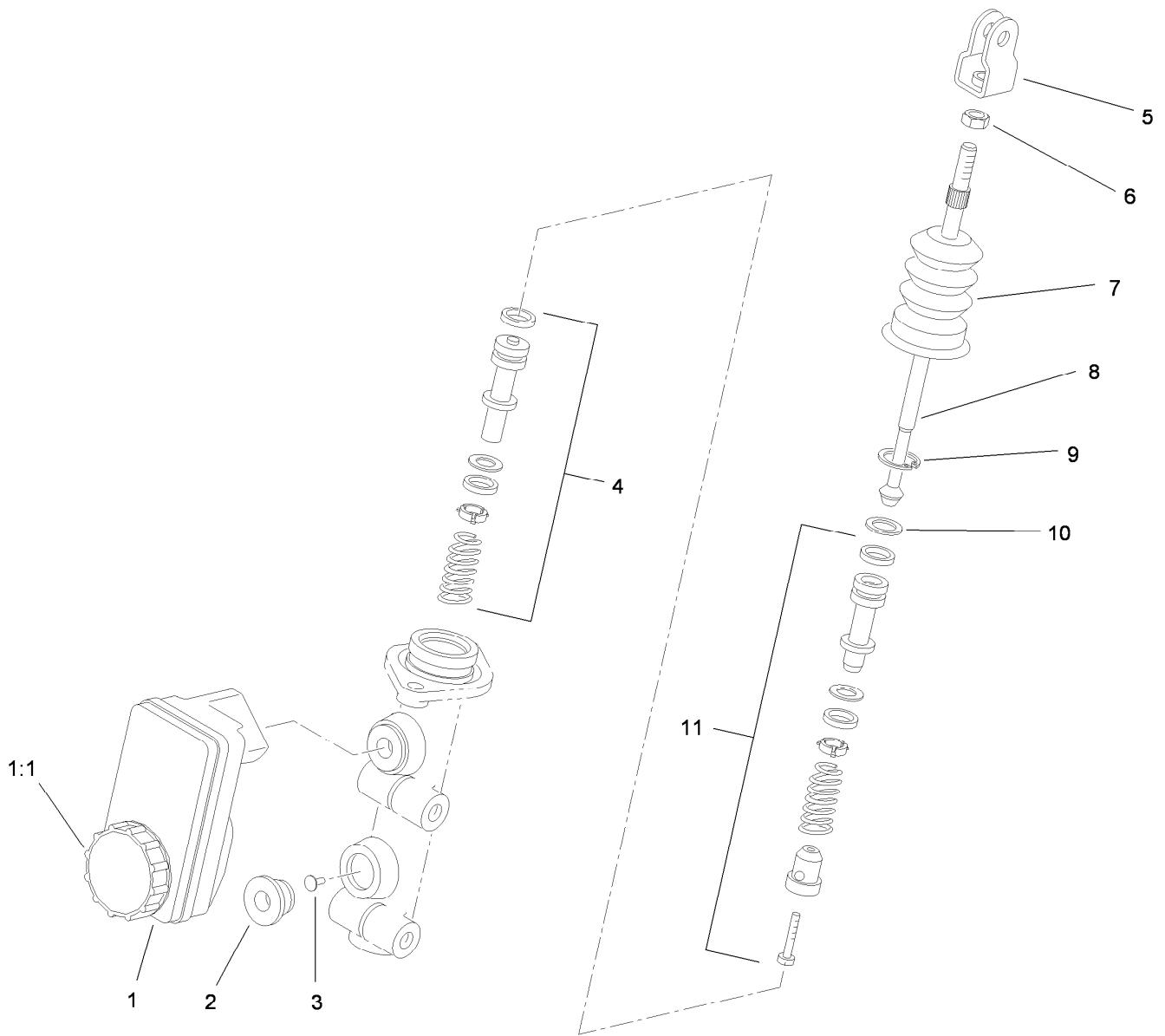
Brake Caliper Assembly No. 119-9535

<i>Ref.</i>	<i>Part Number</i>	<i>Qty.</i>	<i>Description</i>
1	119-9510	1	Pads-Brake
2	119-9511	1	Bracket Kit
3	119-9512	1	Piston Kit



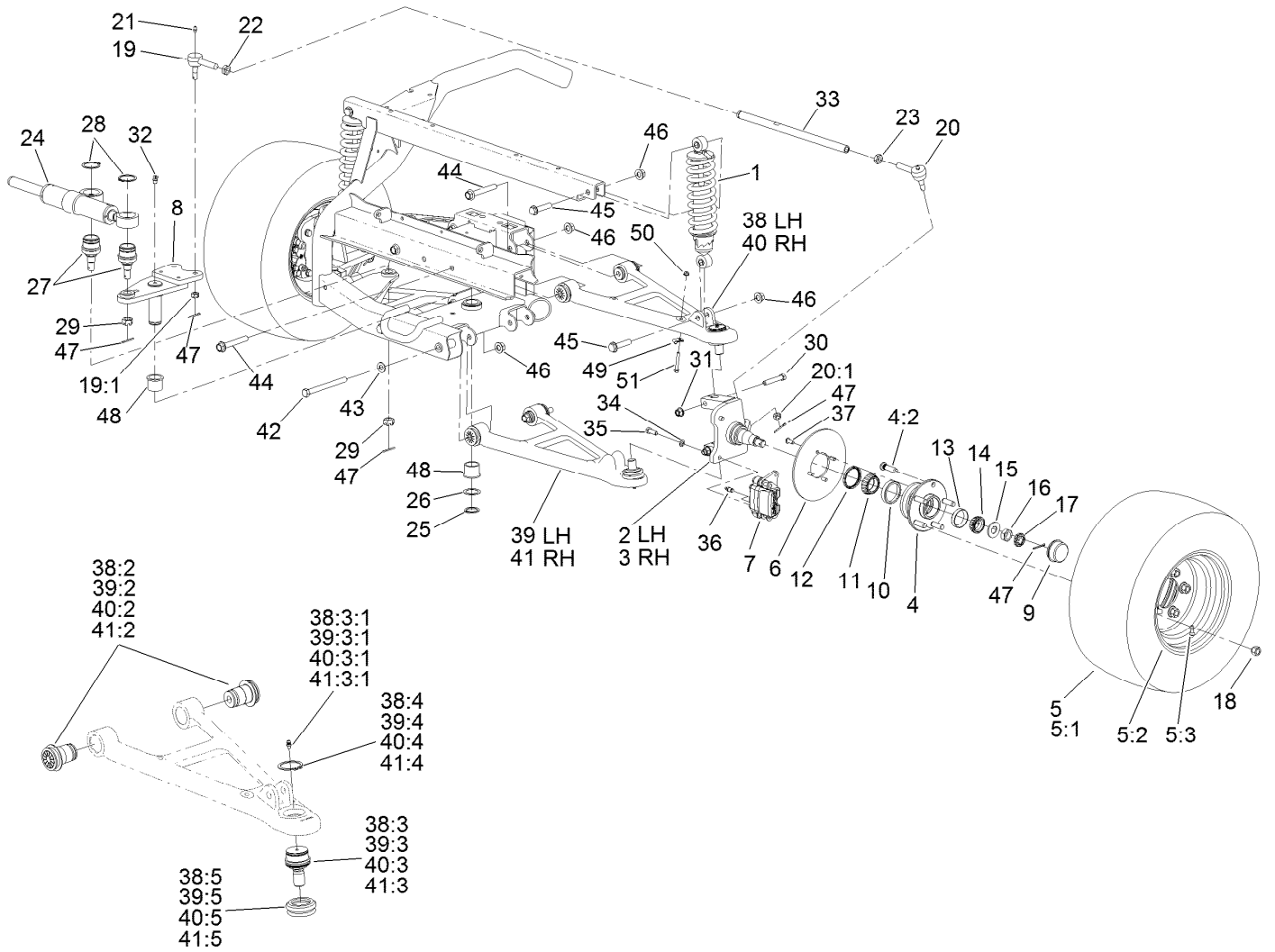
Brake Hydraulic Assembly

<i>Ref.</i>	<i>Part Number</i>	<i>Qty.</i>	<i>Description</i>	<i>Ref.</i>	<i>Part Number</i>	<i>Qty.</i>	<i>Description</i>
1	104-6782	1	Master Cylinder ASM	14	125-7999	1	Line-Brake, Front
4	120-4875	4	Bolt-Flange, Banjo	15	125-8000	1	Solenoid Brake Line
5	115-2341	8	Washer-Banjo	16	125-8004	1	Sensor-Pressure
6	283-2	1	Pin-Clevis	17	125-8005	2	Bolt-Banjo
7	119-1415	1	Pin-Cotter, Locking	18	321-4	2	Screw-HH
8	3234-11	2	Screw-HHF	19	127-3914	4	Washer-Banjo
9	104-8301	2	Nut-HF, NI	22	2412-74	1	R-Clamp
10	125-0900	1	Valve-Brake Hold	23	32144-70	1	Screw-HWHTF
11	94-2691	2	Screw-HWH	24	3290-378	1	Tie-Cable
12	104-7201	1	Nut-HF	99	3290-379	6	Tie-Cable
13	125-7998	1	Line-Brake, Rear				



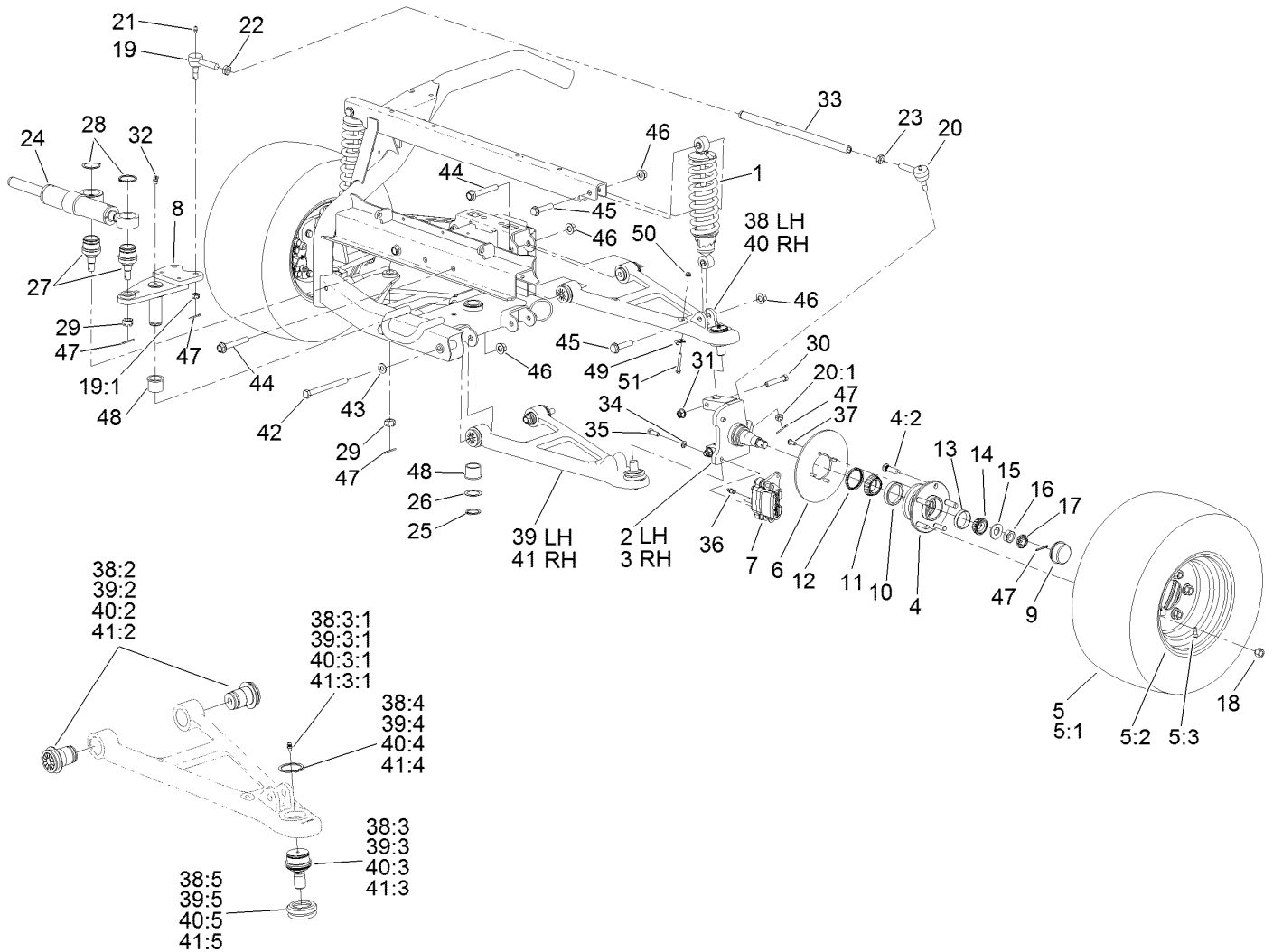
Master Cylinder Assembly No. 104-6782

Ref.	Part Number	Qty.	Description
1	104-6845	1	Reservoir ASM
1:1	92-4112	1	Cap ASM
2	93-8971	2	Seal-Port, Flange
3	92-4103	1	Pin-Stop
4	92-4102	1	Secondary Piston ASM
5	92-4110	1	Clevis
6	21-0360	1	Nut-Hex
7	94-5209	1	Cover-Dust
8	94-5210	1	Rod-Push
9	92-4109	1	Ring-Snap
10	92-4108	1	Retainer-Washer
11	92-4101	1	Primary Piston ASM



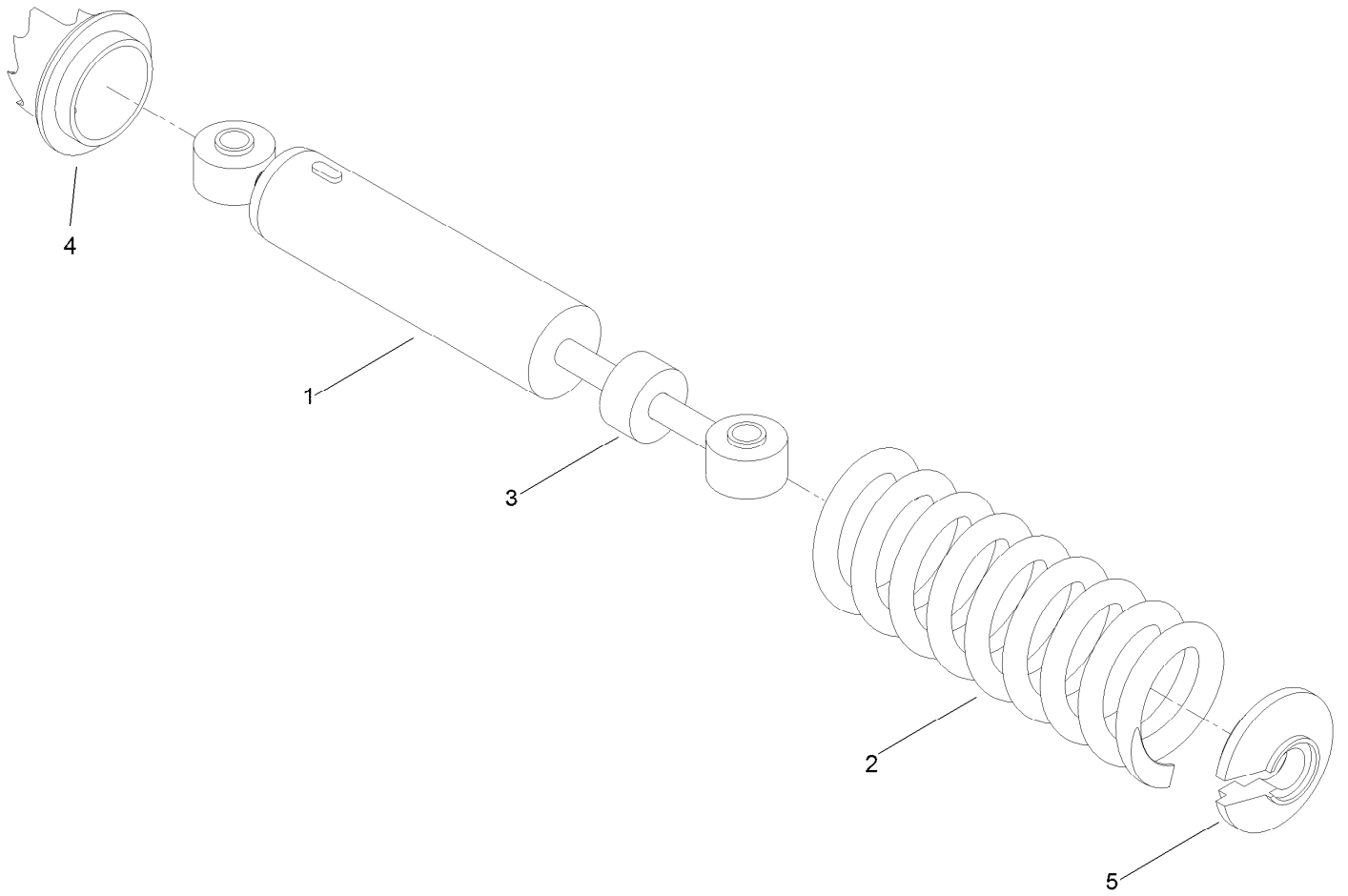
Front Suspension Assembly

Ref.	Part Number	Qty.	Description	Ref.	Part Number	Qty.	Description
1	120-7616	2	Coil Over Shock ASM	18	242-50	10	Nut-Lug
2	125-0730-03	1	Spindle-LH	19	112772	2	Socket-Balljoint
3	125-0723-03	1	Spindle-RH	19:1	915031	1	Nut
4	117-8071	2	Hub ASM	20	112771	2	Socket-Balljoint
4:2	10-6830	5	Stud-Type, Drive	20:1	915031	1	Nut
5	125-0763	2	Tire And Wheel ASM	21	302-5	4	Fitting-Grease
5:1	120-7639	1	Tire	22	3220-11	2	Nut-Jam
5:2	125-0764	1	Wheel	23	3218-21	2	Nut-Jam
5:3	232-27	1	Stem-Valve	24	125-0720	1	Cylinder-Hydraulic, Steering
6	119-9520	2	Rotor	25	32151-77	1	Ring-Retaining, External
7	119-9535	2	Brake Caliper ASM	26	76-2980	1	Washer-Thrust
8	125-0750-03	1	Arm-Pitman	27	117-9875	2	Joint-Ball
9	241-119	2	Cap-Dust	28	32151-104	2	Ring-Retaining, External
10	254-107	2	Cup-Bearing, Tapered	29	32136-2	2	Nut-SHH
11	254-106	2	Cone-Bearing, Tapered	30	324-10	4	Screw-HH
12	108-7019	2	Seal-Shaft	31	114-8417	4	Nut-HF, NI
13	254-72	2	Bearing-Cup, Tapered	32	302-33	1	Fitting-Grease
14	254-94	2	Bearing-Cone, Tapered	33	115-7654	2	Tie Rod
15	93-0309	2	Washer-Tab	34	3253-21	4	Washer-Lock
16	3220-7	2	Nut-Jam	35	323-6	4	Screw-HH
17	93-0307	2	Nut-Lock, Retainer	36	119-9509	2	Screw-Bleed



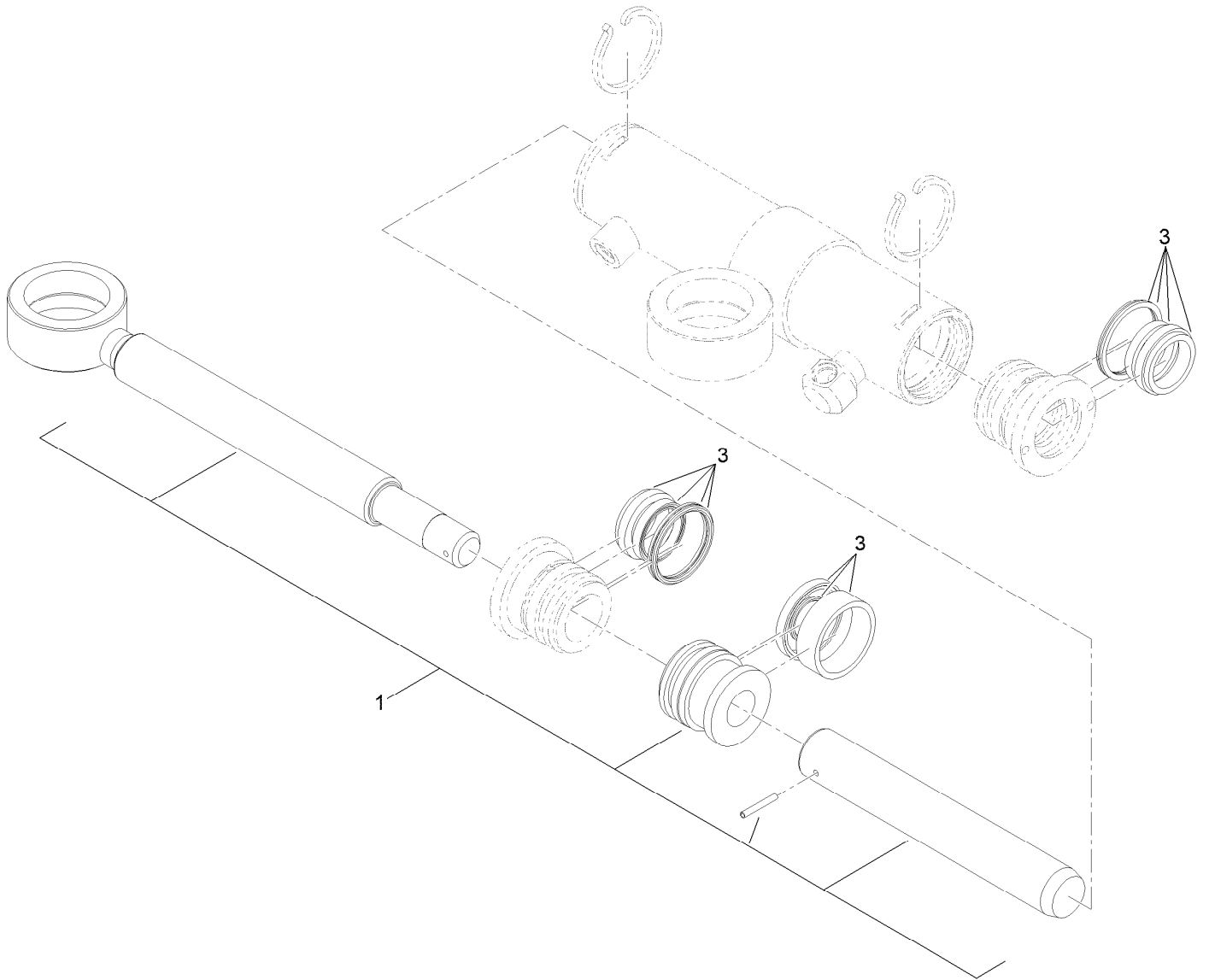
Front Suspension Assembly (continued)

Ref.	Part Number	Qty.	Description	Ref.	Part Number	Qty.	Description
37	3274-55	8	Screw-HSBH	40:5	87-2420	1	Seal-Joint, Ball
38	125-8021	1	LH Upper Control Arm ASM	41	125-8024	1	RH Lower Control Arm ASM
38:2	87-1450	2	Bushing-Flange	41:2	87-1450	2	Bushing-Flange
38:3	115-2165	1	Ball Joint	41:3	115-2165	1	Ball Joint
38:3:1	302-5	1	Fitting-Grease	41:3:1	302-5	1	Fitting-Grease
38:4	32151-104	1	Ring-Retaining, External	41:4	32151-104	1	Ring-Retaining, External
38:5	87-2420	1	Seal-Joint, Ball	41:5	87-2420	1	Seal-Joint, Ball
39	125-8022	1	LH Lower Control Arm ASM	42	325-22	2	Screw-HH
39:2	87-1450	2	Bushing-Flange	43	3256-26	2	Washer-Flat
39:3	115-2165	1	Ball Joint	44	114-8419	6	Screw-HHF
39:3:1	302-5	1	Fitting-Grease	45	3234-46	4	Screw-HHF
39:4	32151-104	1	Ring-Retaining, External	46	99-5107	12	Nut-Lock
39:5	87-2420	1	Seal-Joint, Ball	47	3272-12	8	Pin-Cotter
40	125-8023	1	RH Upper Control Arm ASM	48	94-8947	2	Bushing-Flange
40:2	87-1450	2	Bushing-Flange	49	2412-72	2	Clip-Closed, Insulated
40:3	115-2165	1	Ball Joint	50	104-7201	2	Nut-HF
40:3:1	302-5	1	Fitting-Grease	51	321-11	2	Screw-HH
40:4	32151-104	1	Ring-Retaining, External				



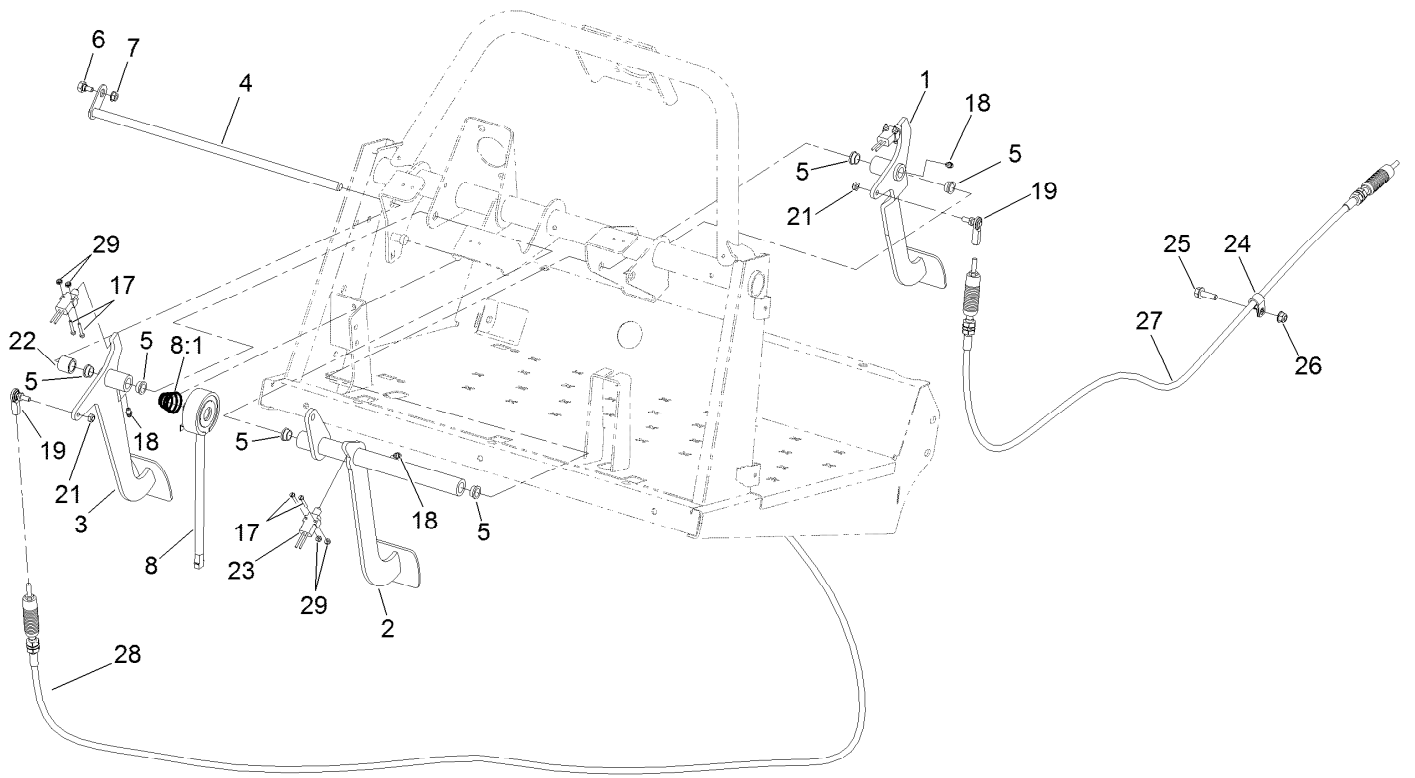
Coil Over Shock Assembly No. 120-7616

<i>Ref.</i>	<i>Part Number</i>	<i>Qty.</i>	<i>Description</i>
1	112-3380	1	Shock
2	120-7617	1	Spring-400Lb
3	112-3384	1	Bumper
4	112-3382	1	Adjuster-Spring, Shock
5	112-3381	1	Cap-Shock



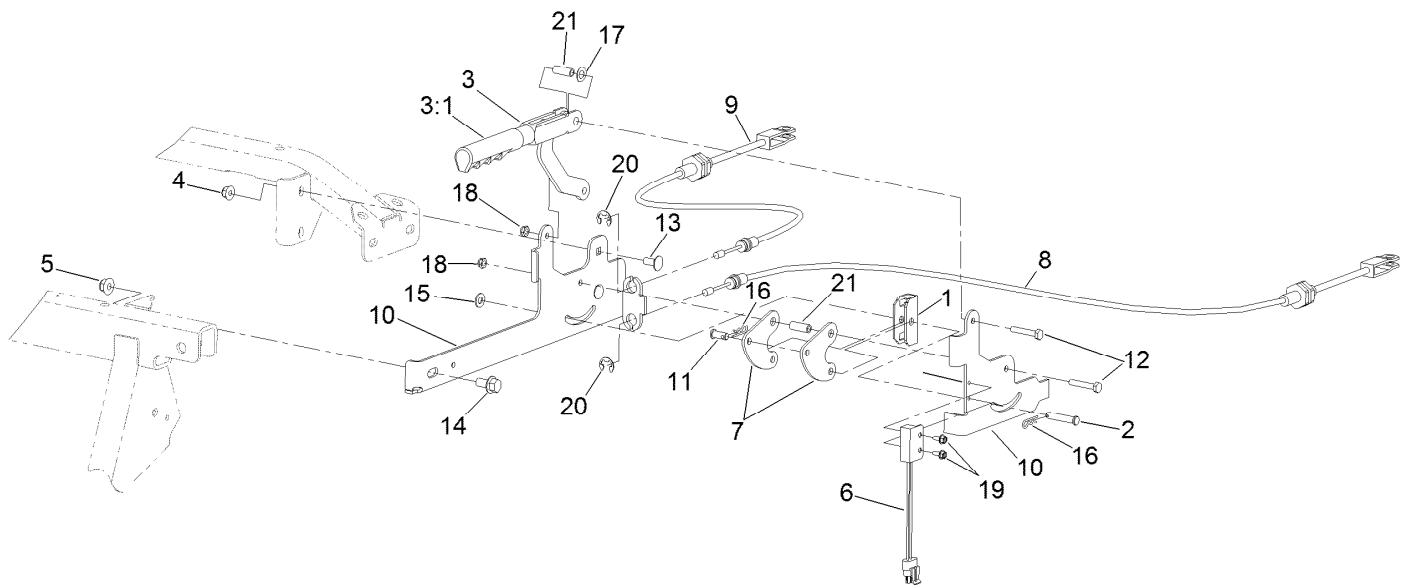
Hydraulic Cylinder Assembly No. 125-0720

<i>Ref.</i>	<i>Part Number</i>	<i>Qty.</i>	<i>Description</i>
1	125-0722	1	Rod-Cylinder
3	115-2160	1	Cylinder Repair Kit



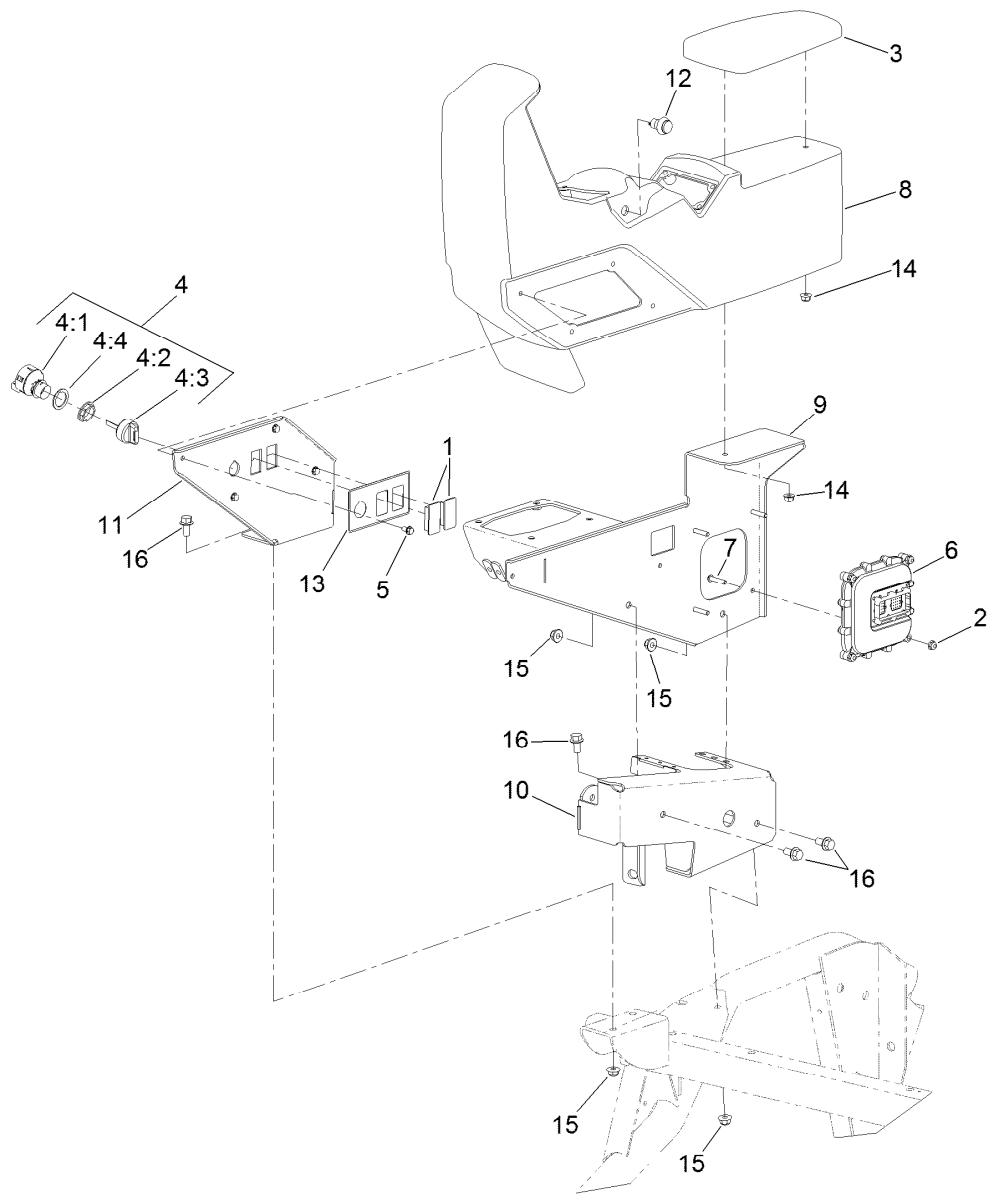
Pedal Assembly

<i>Ref.</i>	<i>Part Number</i>	<i>Qty.</i>	<i>Description</i>	<i>Ref.</i>	<i>Part Number</i>	<i>Qty.</i>	<i>Description</i>
1	125-0702-03	1	Pedal	19	110-2554	2	Rod End-Spherical
2	125-0700-03	1	Pedal	21	3296-13	2	Nut-Lock, NI
3	125-0701-03	1	Pedal	22	99-2079	1	Spacer
4	125-0825	1	Pivot	23	99-3410	3	Switch
5	256-156	6	Bushing-Flange	24	2412-93	1	Clamp-R
6	63-3410	1	Screw-Shoulder	25	3234-17	1	Screw-HHF
7	32128-33	1	Nut-HF	26	104-8300	1	Nut-HF, NI
8	99-8090	1	Magnet ASM	27	125-0957	1	Cable-Clutch
8:1	93-6601	1	Spring-Compression	28	125-0958	1	Cable-Accelerator
17	32105-9	6	Screw	29	3296-9	6	Nut-Hex
18	302-5	3	Fitting-Grease				



Parking Brake Lever and Cable Assembly

<i>Ref.</i>	<i>Part Number</i>	<i>Qty.</i>	<i>Description</i>	<i>Ref.</i>	<i>Part Number</i>	<i>Qty.</i>	<i>Description</i>
1	87-3480	1	Bracket-Equalizer, Cable	11	283-62	1	Pin-Clevis
2	94-3829	1	Pin-Clevis	12	321-9	2	Screw-HH
3	104-6842	1	Lever-Brake, Park	13	3230-23	2	Screw-CARR
3:1	106-7972	1	Grip-Handle	14	3234-1	1	Screw-HHF
4	104-8300	2	Nut-HF, NI	15	3256-23	1	Washer-Plain
5	104-8301	1	Nut-HF, NI	16	3290-307	2	Pin-Cotter
6	105-0023	1	Switch-Proximity	17	3290-477	1	Washer-Curved
7	106-7814	2	Bellcrank	18	3296-56	2	Nut-Lock, NI
8	125-0881	1	Cable-Parking Brake, LH	19	32104-60	2	Screw-HWH
9	125-0882	1	Cable-Parking Brake, RH	20	32120-47	2	Ring-Retaining, External
10	125-8031-03	1	Brake-Parking	21	114402	2	Spacer

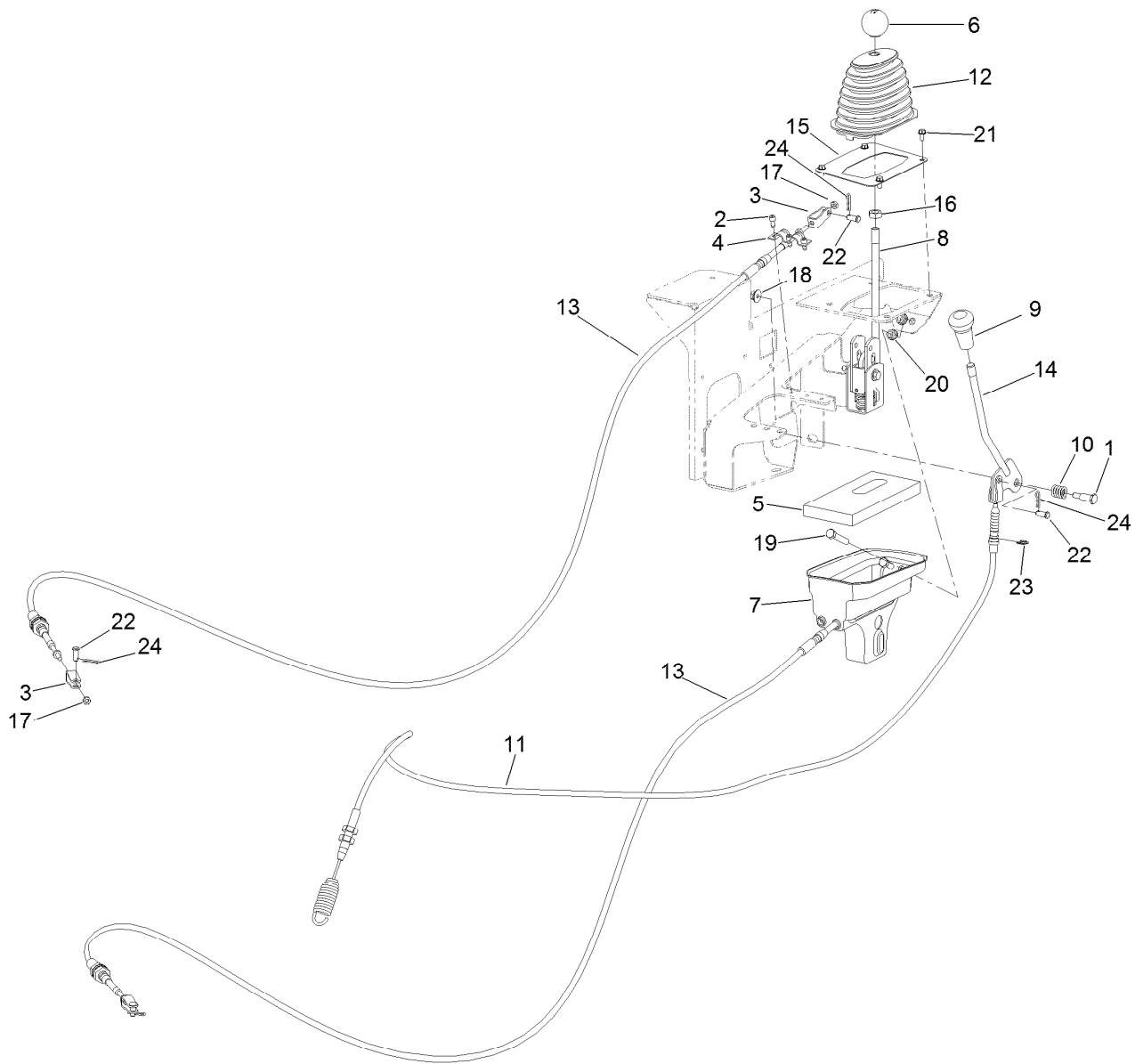


Console and Controller Assembly

Ref.	Part Number	Qty.	Description
1	99-7420	2	Plug-Hole
2	104-7201	4	Nut-HF
3	108-7602	1	Rest-Arm
4	110-2580	1	Switch-Key, Supervisor
4:1		1	Switch-Key ●
4:2	108-8660	1	Nut-Mounting
4:3	110-5221	1	Set-Key, Supervisor
4:4	108-8659	1	Washer-Backup
5	32144-4	4	Screw-HWH
6	115-1900	1	Controller

Ref.	Part Number	Qty.	Description
7	120-0834	4	Screw-HSBH
8	125-0791	1	Console-Control, Spray
9	125-4108-03	1	Console Mount ASM
10	125-4188-03	1	Mount-Shifter
11	125-4191-03	1	Console Mount ASM
12	125-7996	1	Switch-Pb, Momentary
13	125-8114	1	Decal-Control Panel
14	104-8300	2	Nut-HF, NI
15	104-8301	6	Nut-HF, NI
16	3234-11	2	Screw-HHF

● Not serviced separately



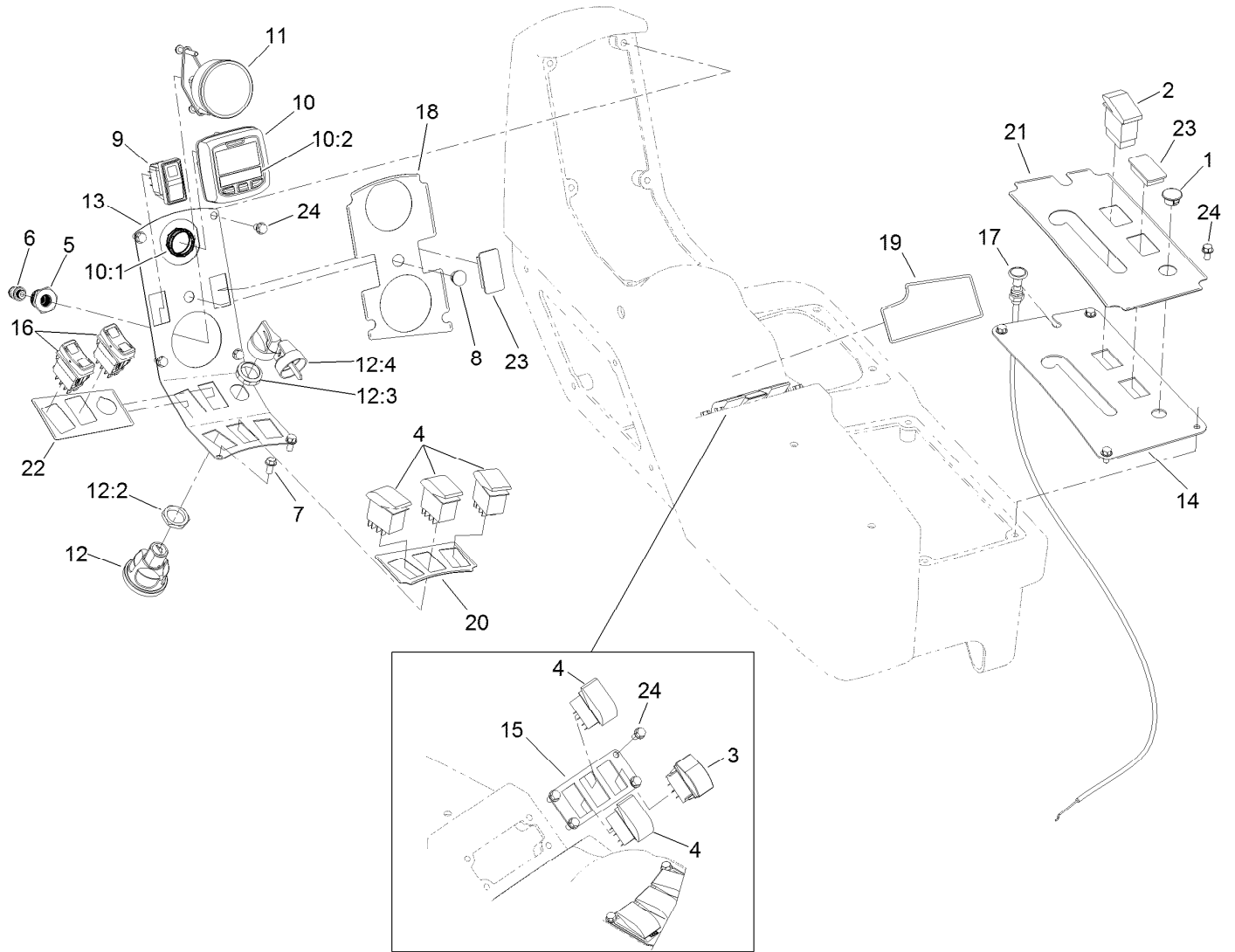
Shift Control Assembly

<i>Ref.</i>	<i>Part Number</i>	<i>Qty.</i>	<i>Description</i>	<i>Ref.</i>	<i>Part Number</i>	<i>Qty.</i>	<i>Description</i>
1	63-2650	1	Screw-Shoulder	13	125-0880	2	Cable-Shift
2	65-5220	3	Screw-HSH, Thread Forming	14	125-0894	1	Handle-Difflock
3	87-2310	4	Clevis-Cable	15	125-8030-03	1	Cover-Shifter
4	87-4960	1	Clamp-Cable	16	3218-18	1	Nut-Jam
5	87-6570	1	Seal-Boot, Lower	17	3220-1	4	Nut-Jam
6	87-6720	1	Knob-Shift	18	32128-13	1	Nut-HF
7	106-2376	1	Boot-Shift, Lower	19	323-10	2	Screw-HH
8	106-7887	1	Shift ASM	20	3290-357	2	Nut-HHF, Whiz
9	106-7952	1	Knob	21	32144-4	4	Screw-HWH
10	108-7313	1	Spring-Compression	22	283-62	5	Pin-Clevis
11	115-2287	1	Cable-Lock, Differential	23	32120-47	1	Ring-Retaining, External
12	117-8063	1	Boot-Shift	24	3290-307	5	Pin-Cotter



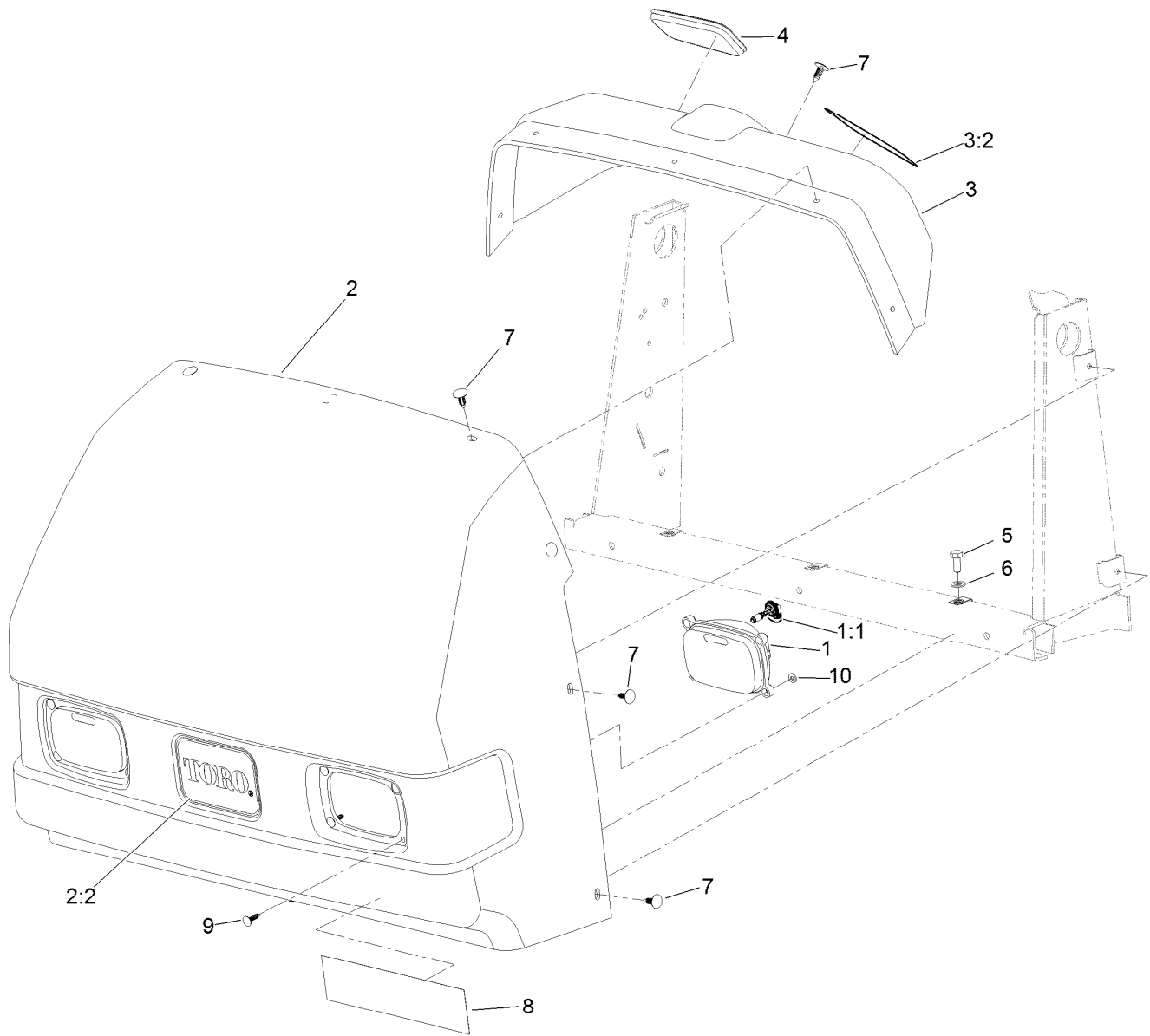
Shift Assembly No. 106-7887

<i>Ref.</i>	<i>Part Number</i>	<i>Qty.</i>	<i>Description</i>
1	87-2040	1	Lever-Shift
2	87-3650	1	Pin-Shift
3	87-3540	2	Link-Shift
4	87-2520	1	Tube-Pivot
5	87-2900	1	Spring-Compression
6	87-8640	1	Washer-Flat
7	322-12	1	Screw-HH
8	87-3530	1	Button-Shifter
9	87-3660	1	Spring-Compression
10	3290-507	1	Pin-Dowel
11	87-3520	1	Clevis
12	32121-48	1	Pin-Spring
13	87-6040	1	Bracket-Shifter
14	3290-456	2	Washer-Belleville
15	104-8300	1	Nut-HF, NI



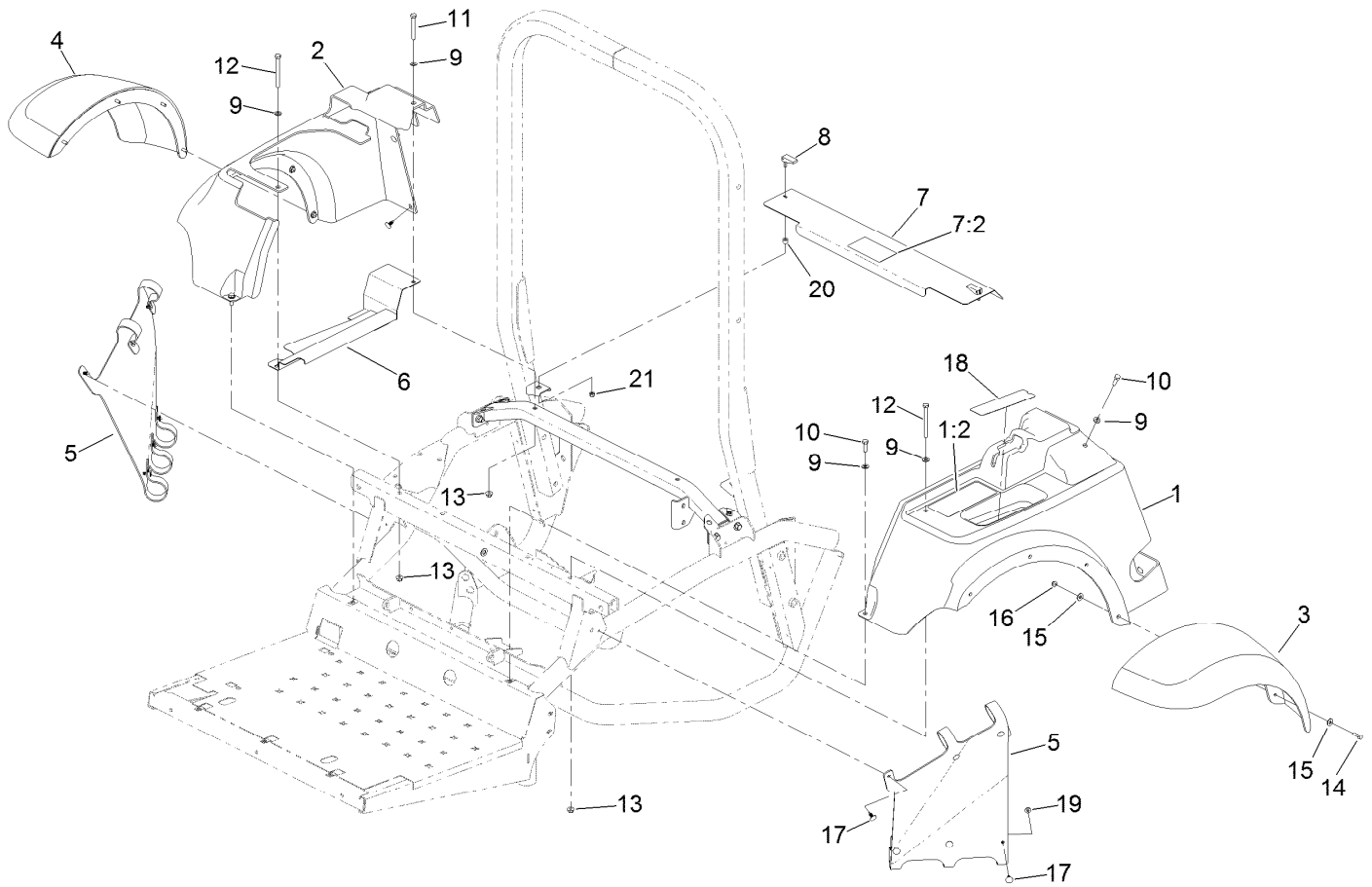
Control Console Assembly

<i>Ref.</i>	<i>Part Number</i>	<i>Qty.</i>	<i>Description</i>	<i>Ref.</i>	<i>Part Number</i>	<i>Qty.</i>	<i>Description</i>
1	94-5627	2	Plug	12:2	121-5160	1	Nut-Hex
2	95-8999	1	Switch	12:3	121-5161	1	Nut-Face
3	100-1535	1	Switch	12:4	121-5162	1	Ignition Key Set
4	100-8490	5	Switch-Rocker, On-None-On	13	127-9733-03	1	Panel-Switches
5	100-8665	1	Reducer-Gauge, Pressure	14	125-0896-03	1	Panel-Cover
6	100-8667	1	Coupler-Reducer	15	125-0898-03	1	Panel-Switches
7	46-8093	1	Screw-Plastite	16	125-0899	2	Switch-Rocker
8	119-5329	1	Plug-Hole	17	125-8047	1	Choke-Control
9	120-0695	1	Switch-Rocker, On-Off-(On)	18	125-4125	1	Decal-Control Panel, Upper
10	120-6310	1	LCD Display ASM	19	125-4126	1	Decal-Control Panel, Rear
10:1	120-4630	1	Nut-Display	20	125-4129	1	Decal-Control Panel, Spray
10:2	120-6311	1	Decal-Display	21	125-8113	1	Decal-Control Panel
11	120-8546	1	Gauge-Pressure	22	125-4128	1	Decal-Switch Panel, Center
12	121-5159	1	Ignition Switch ASM	23	99-7420	2	Plug-Hole
				24	32144-4	13	Screw-HWH



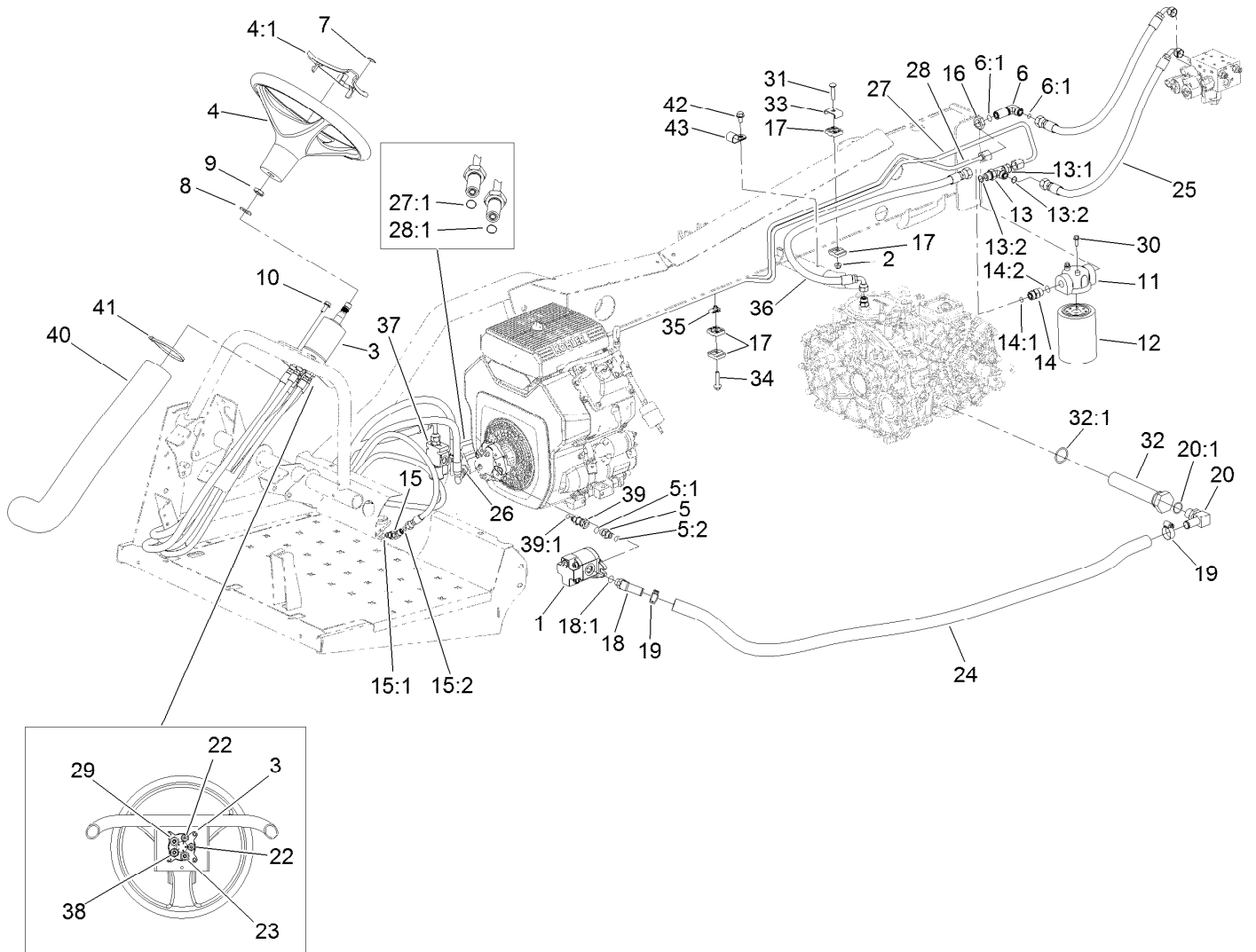
Hood, Dash and Headlight Assembly

Ref.	Part Number	Qty.	Description
1	125-0672	2	Headlight ASM
1:1	125-0673	1	Halogen-Bulb
2	127-3982	1	Hood
2:2	67-1300	1	Decal
3	125-0939	1	Dash
3:2	127-3941	1	Decal-Warning
4	125-8059	1	Cover- Reservoir, Brake
5	322-3	3	Screw-HH
6	3256-23	3	Washer-Plain
7	117-2382	10	Plug-Plastic
8	127-3944	1	Decal
9	125-8067	8	Plug-Plastic
10	3256-21	8	Washer-Flat



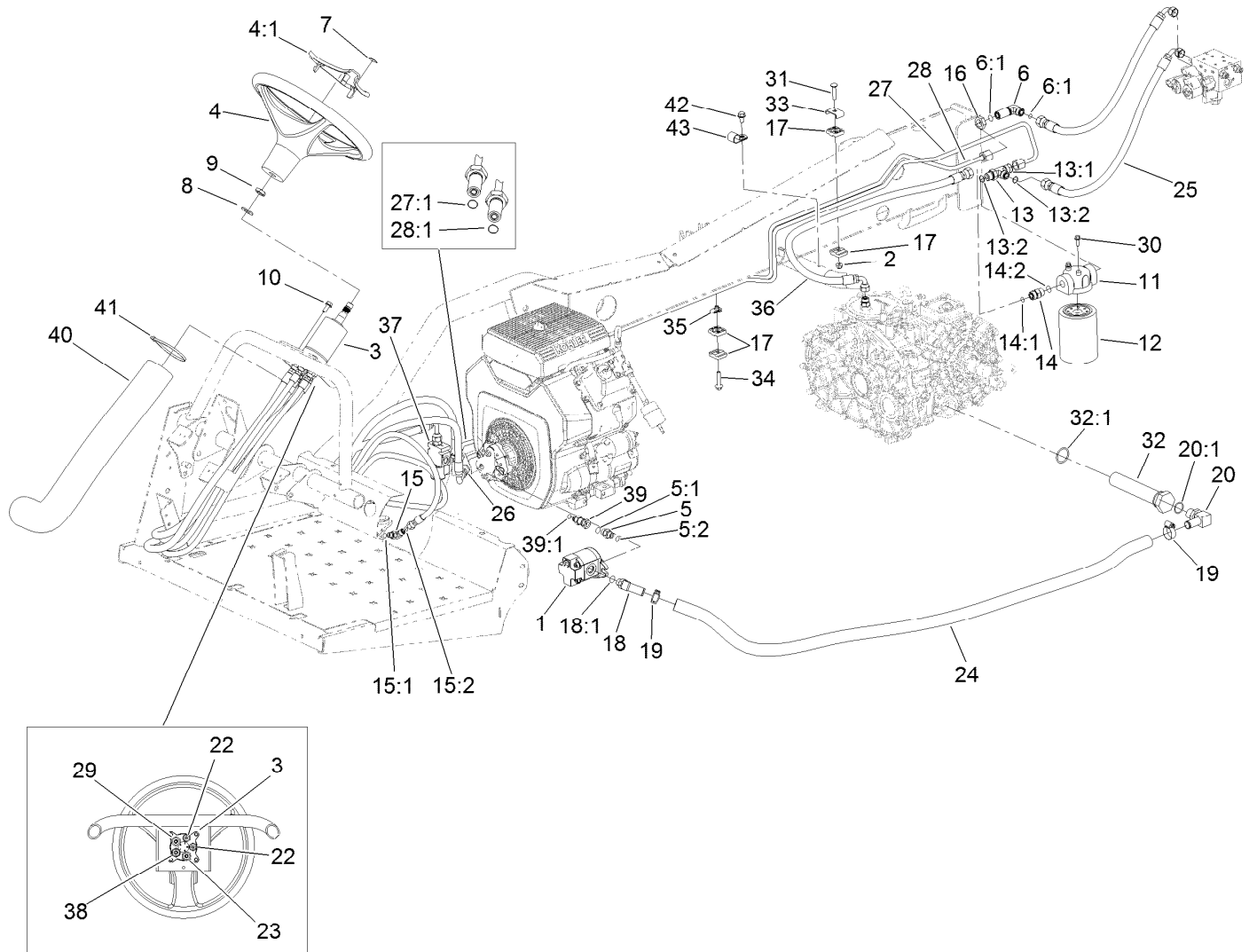
Seat Base and Front Fender Assembly

<i>Ref.</i>	<i>Part Number</i>	<i>Qty.</i>	<i>Description</i>	<i>Ref.</i>	<i>Part Number</i>	<i>Qty.</i>	<i>Description</i>
1	127-3980	1	LH Seatbase ASM	10	322-5	4	Screw-HH
1:2	127-3935	1	Decal-Start-Up/Shut-Down	11	322-12	1	Screw-HH
2	125-0803	1	Seatbase-RH	12	322-22	2	Screw-HH
3	125-0902	1	Fender-LH	13	104-8300	3	Nut-HF, NI
4	125-0903	1	Fender-RH	14	321-5	8	Screw-HH
5	125-0935	2	Shroud-Fender, Inner	15	3256-2	16	Washer-Flat
6	125-8088-01	1	Cover-Console, Bottom	16	104-7201	8	Nut-HF
7	127-3979	1	Cover-Engine	17	117-2382	16	Plug-Plastic
7:2	127-3937	1	Decal-Warning, Engine Cover	18	125-8093	1	Pad-Pocket
8	106-6777	2	Handle-Latch, Swell	19	3256-16	10	Washer-Flat
9	3256-23	7	Washer-Plain	20	106-6778	2	Bushing-Latch, Swell
				21	1-804254	2	Nut-Lock, HH



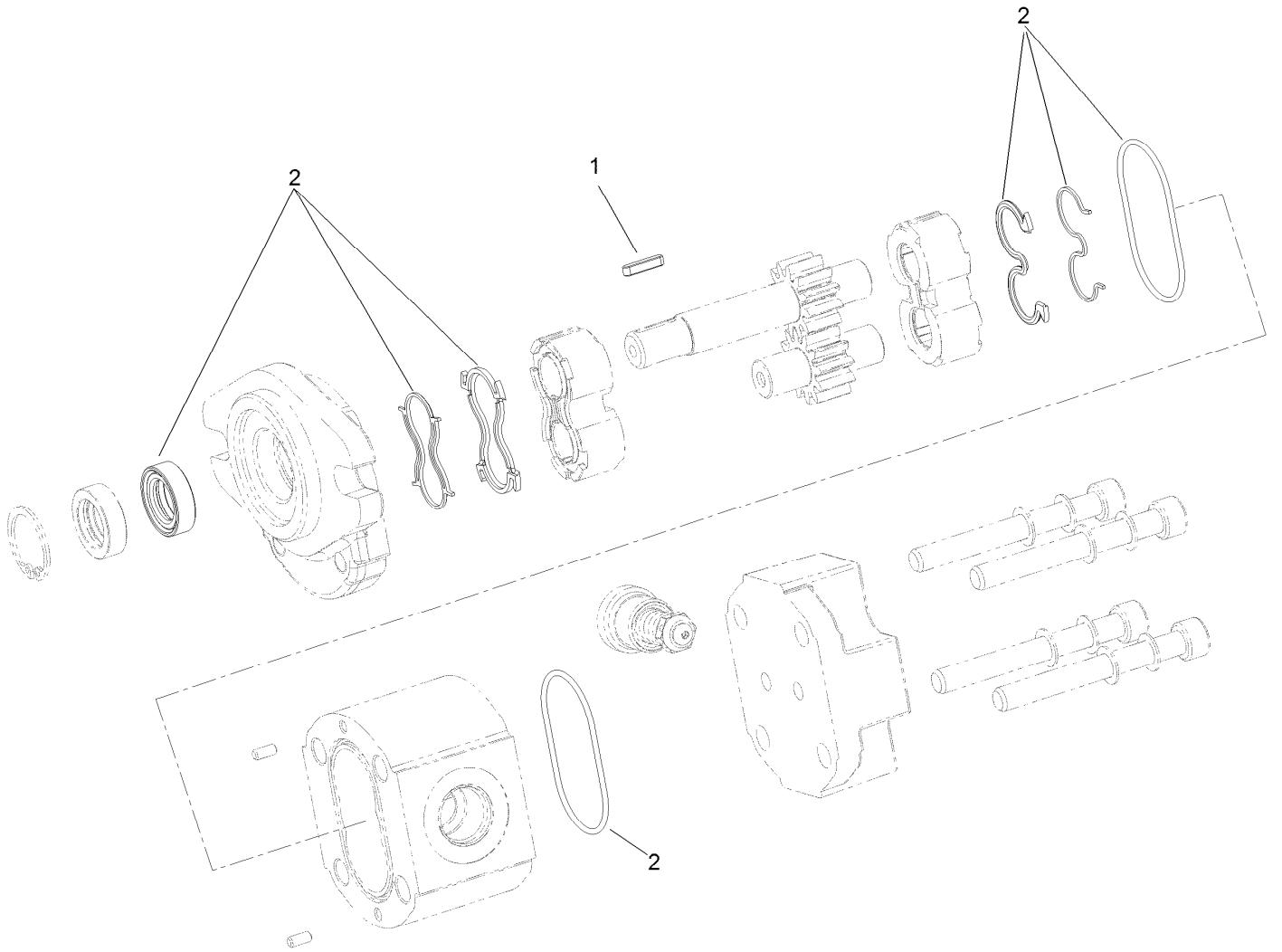
Hydraulic Steering Assembly

Ref.	Part Number	Qty.	Description	Ref.	Part Number	Qty.	Description
1	121-6545	1	HYD Pump ASM	14:2	237-79	1	O-Ring
2	104-8300	2	Nut-HF, NI	15	340-132	2	Fitting-90 DEG
3	117-0707	1	Steering Valve ASM	15:1	237-78	1	O-Ring
4	98-1471	1	Wheel-Steering	15:2	237-21	1	O-Ring
4:1	98-1468	1	Cover-Wheel, Steering	16	340-127	1	Nut-Bulkhead
5	340-2	3	Fitting-Straight	17	56-7973	6	Clamp-Tube
5:1	237-22	1	O-Ring	18	93-6848	1	Fitting-HYD
5:2	237-42	1	O-Ring	18:1	237-79	1	O-Ring
6	93-9151	1	Fitting-HYD	19	2412-129	2	Clamp-Hose
6:1	237-30	2	O-Ring	20	353-987	1	Fitting-Elb 90
7	98-1459	1	Decal	20:1	237-81	1	O-Ring
8	3256-27	1	Washer-Flat	22	108-5675	2	Hydraulic Hose ASM
9	110-8816	1	Nut-Hex	23	127-3987	1	Hose ASM
10	33104-020	4	Screw-HHF	24	125-0952	1	Hose-Suction
11	87-8780	1	Head-Filter	25	125-0949	2	Hydraulic Hose ASM
12	54-0110	1	Filter-Oil, Transmission	26	340-70	2	Nut-Lock
13	340-109	1	Fitting-Tee	27	125-4058	1	Hydraulic Tube ASM
13:1	237-79	1	O-Ring	27:1	237-22	1	O-Ring
13:2	237-30	2	O-Ring	28	125-4059	1	Hydraulic Tube ASM
14	340-4	1	Fitting-Straight	28:1	237-22	1	O-Ring
14:1	237-30	1	O-Ring	29	114-7702	1	HYD Hose ASM



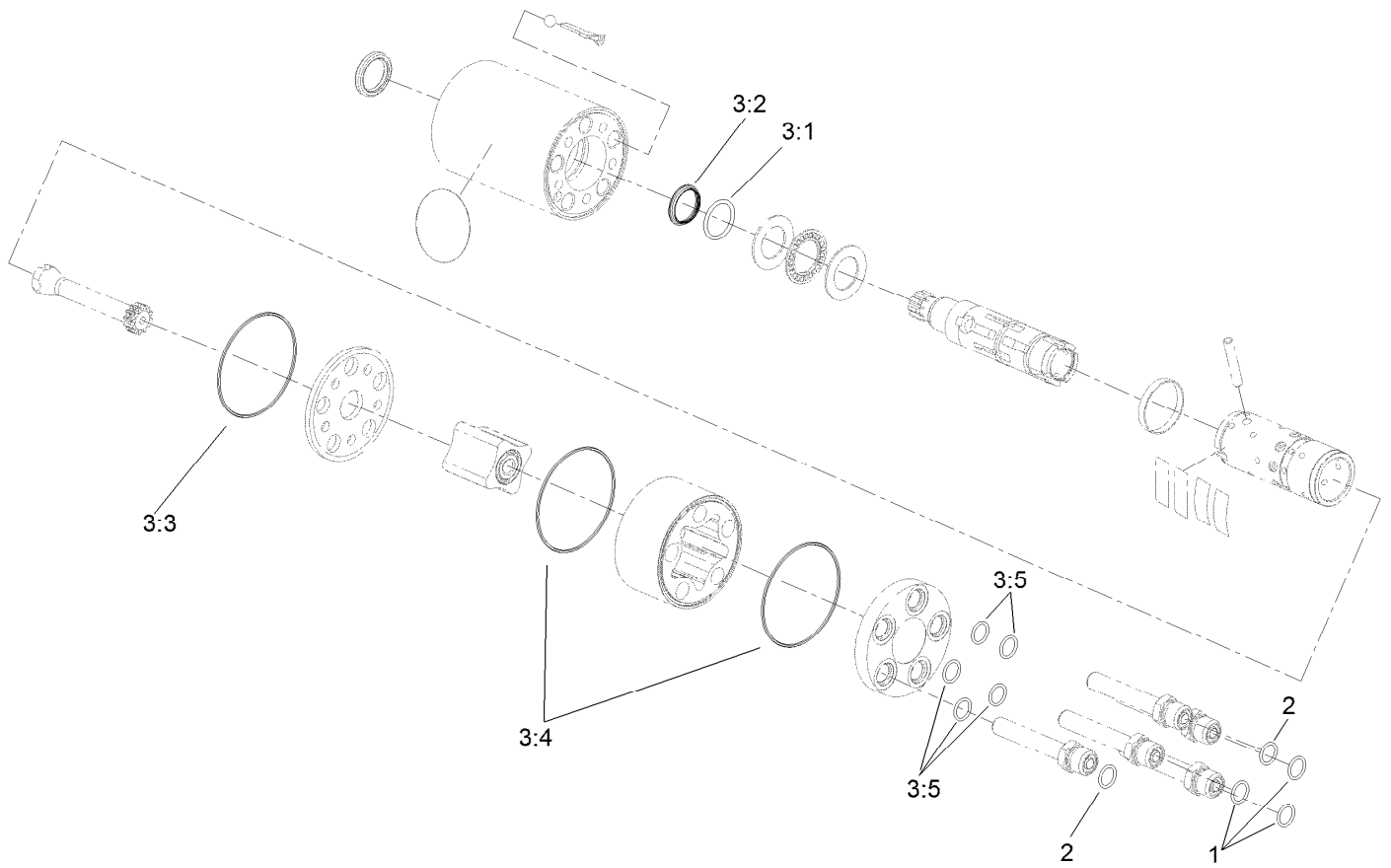
Hydraulic Steering Assembly (continued)

Ref.	Part Number	Qty.	Description	Ref.	Part Number	Qty.	Description
30	3234-4	2	Screw-HHF	37	127-3965	1	Solenoid Valve ASM
31	3230-3	2	Screw-CARR	38	120-2061	1	Hose-HYD
32	87-3990	1	Strainer-Transaxle	39	104-3779	1	Connector-Swivel, Straight
32:1	237-123	1	O-Ring	39:1	237-42	1	O-Ring
33	119-1418	2	Plate-Clamp, Short	40	106-6713	1	Cover-Lines, Steering
34	115-1794	1	Screw-HHF	41	3290-379	3	Tie-Cable
35	94-2413	1	Nut-U	42	32144-15	1	Screw-HHFTF
36	94-5961	1	Hose	43	2412-81	1	Clamp-R



Hydraulic Pump Assembly No. 121-6545

<i>Ref.</i>	<i>Part Number</i>	<i>Qty.</i>	<i>Description</i>
1	125-8147	1	Key, Square
2	125-8148	1	Seal Kit

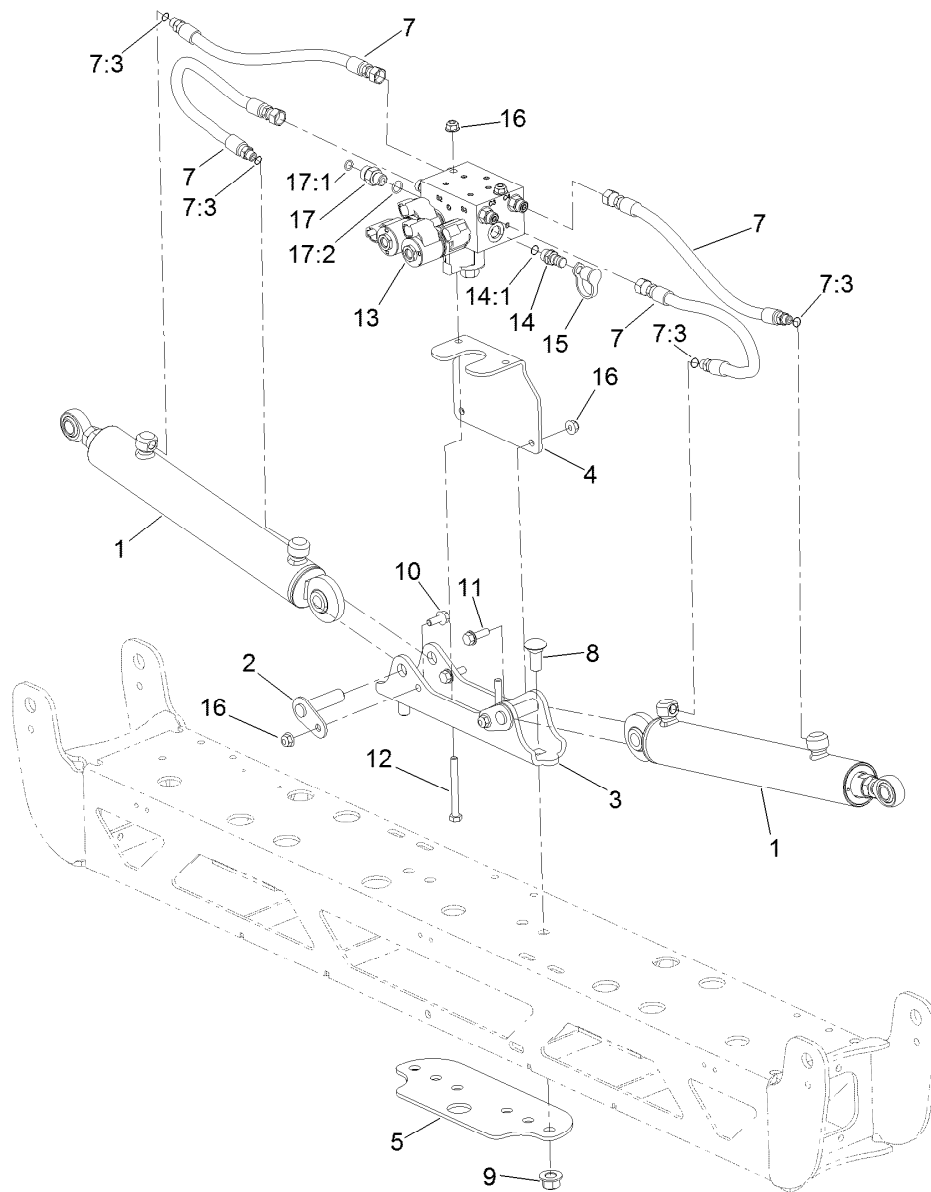


Steer Valve Assembly No. 117-0707

Ref.	Part Number	Qty.	Description
1	237-21	3	O-Ring
2	237-22	2	O-Ring
3	106-6716	1	Seal Kit ●
3:1		1	Ring-Seal, Dust ■
3:2		1	Seal-Shaft ■
3:3		1	O-Ring ■
3:4		2	O-Ring ■
3:5		5	O-Ring ■

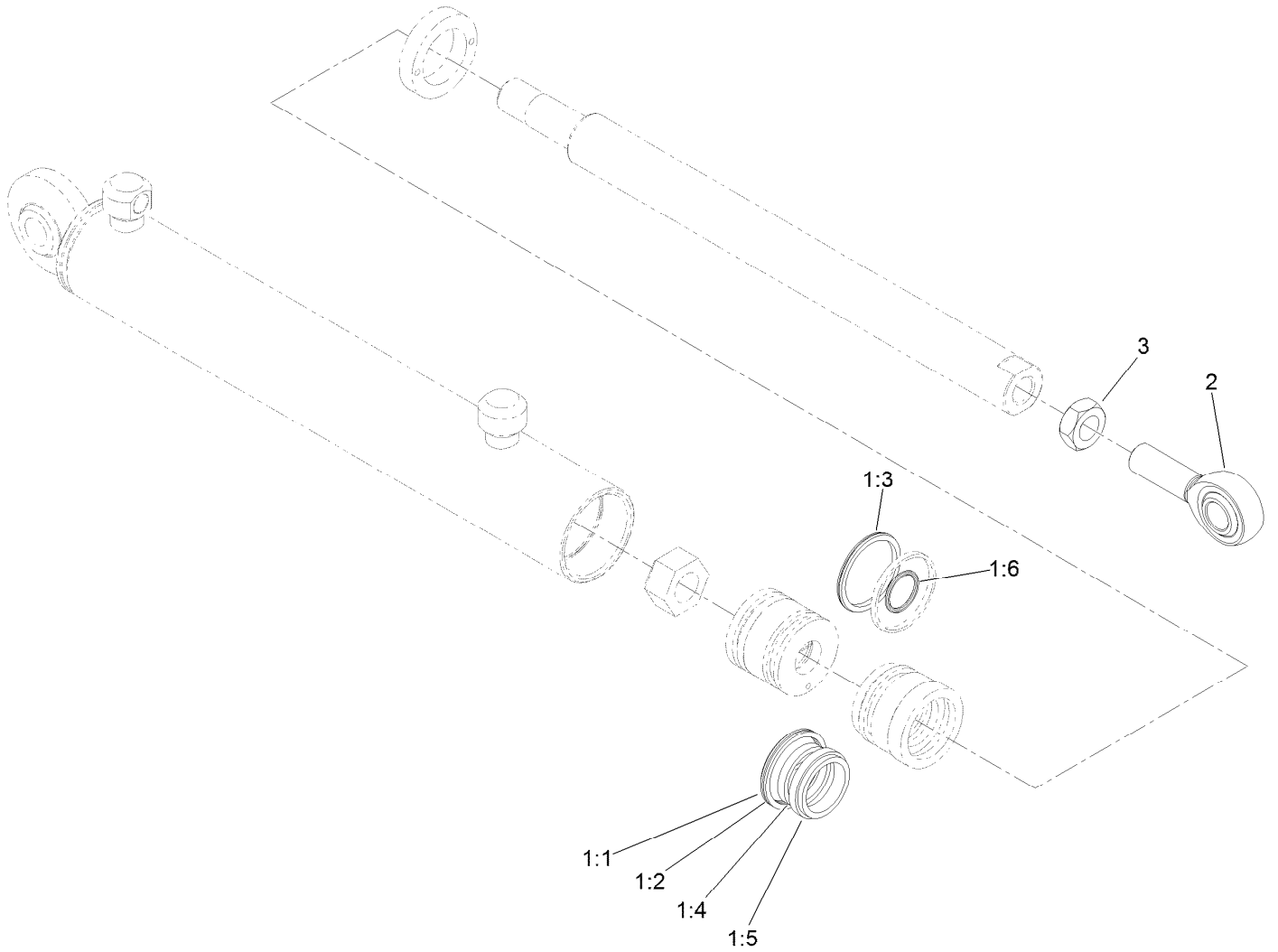
● Not illustrated

■ Not serviced separately



Boom Lift Hydraulic Assembly

Ref.	Part Number	Qty.	Description	Ref.	Part Number	Qty.	Description
1	117-0701	2	Hydraulic Cylinder ASM	11	3234-29	2	Screw-HHF
2	112-7884	2	Pin-Pivot	12	322-14	2	Screw-HH
3	119-4856-03	1	Plate-Mount, Cylinders	13	117-0702	1	On-Off Boom Lift Valve ASM
4	117-0711-03	1	Plate-Mount, Boom Valve	14	59-7410	1	Fitting-Diagnostic
5	108-3469-03	1	Plate-Washer	14:1	237-42	1	O-Ring
7	119-4859	4	Hose ASM	15	354-79	1	Cap-Dust
7:3	237-78	1	O-Ring	16	104-8300	6	Nut-HF, NI
8	110-5067	2	Screw-CARR	17	340-2	2	Fitting-Straight
9	99-5107	2	Nut-Lock	17:1	237-22	1	O-Ring
10	110-5053	2	Screw-HHF	17:2	237-42	1	O-Ring

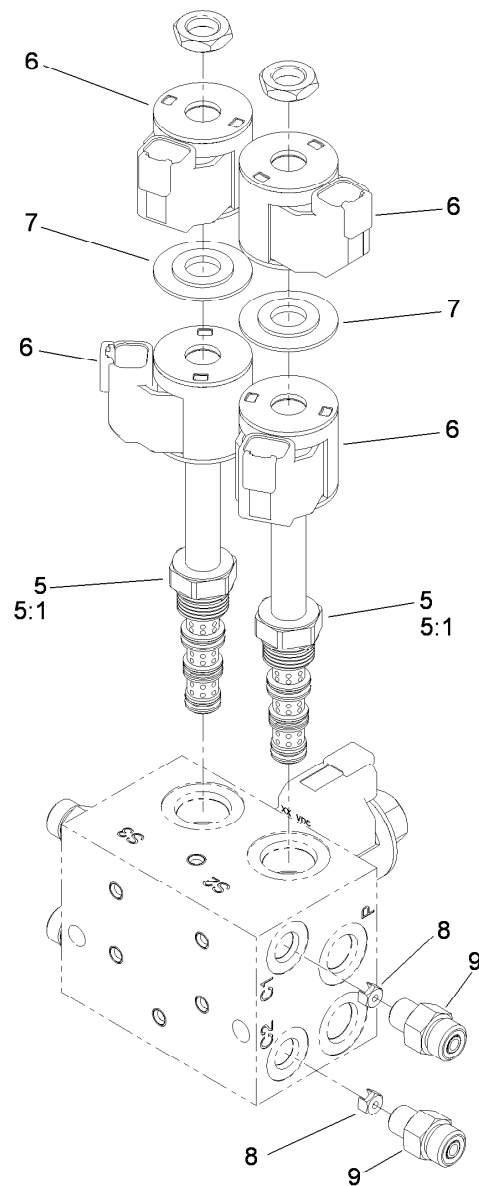
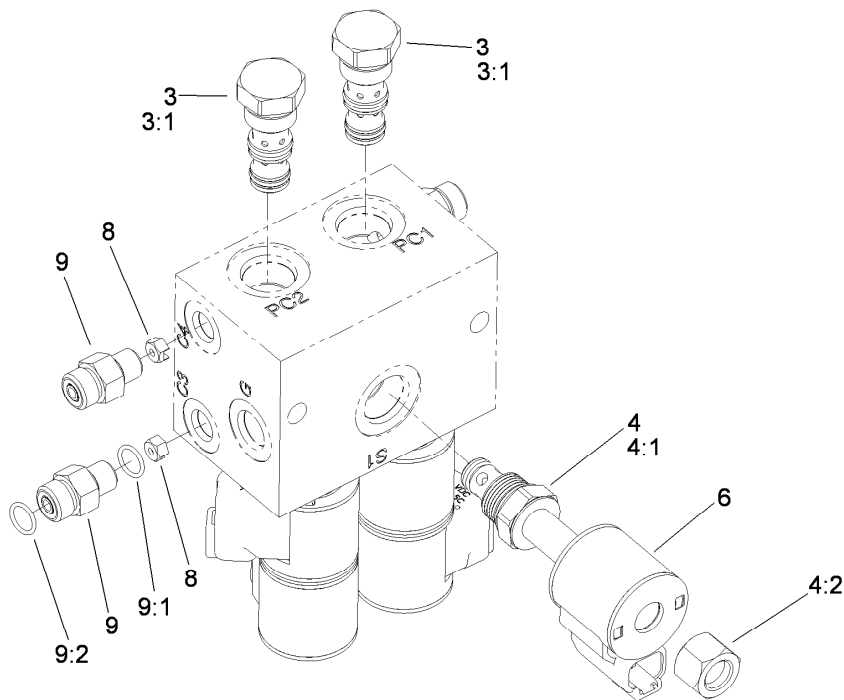


Hydraulic Cylinder Assembly No. 117-0701

Ref.	Part Number	Qty.	Description
1	119-8026	1	Seal Kit ●
1:1		1	O-Ring ■
1:2		1	Ring-Backup ■
1:3		1	Bp Seal ■
1:4		1	Bs Seal ■
1:5		1	Dust Seal ■
1:6		1	O-Ring ■
2	119-8027	1	Rod End
3	3220-6	1	Nut-Jam

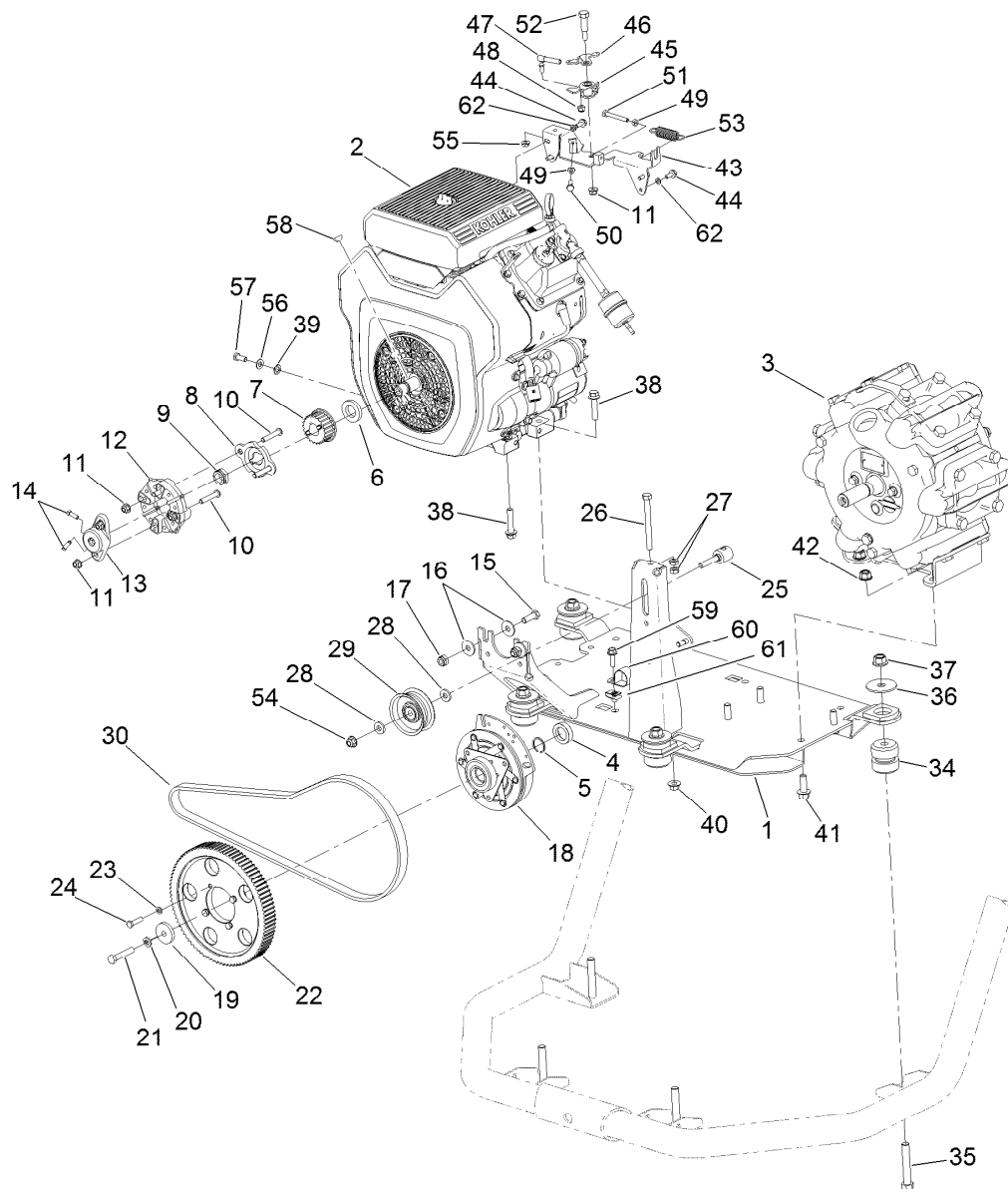
● Not illustrated

■ Not serviced separately



On-Off Boom Lift Valve No. 117-0702

Ref.	Part Number	Qty.	Description
3	120-2588	2	Valve-Check
3:1	120-0886	1	Seal Kit
4	107-7517	1	Valve-Solenoid
4:1	105-9156	1	Seal Kit
4:2	107-7812	1	Nut-Solenoid
5	120-2587	2	Valve-Solenoid
5:1	112-6520	1	Seal Kit
6	119-8036	5	Coil
7	120-2586	2	Spacer-Coil
8	120-2585	4	Orifice, .035
9	340-92	4	Fitting-Straight
9:1	237-78	1	O-Ring
9:2	237-21	1	O-Ring



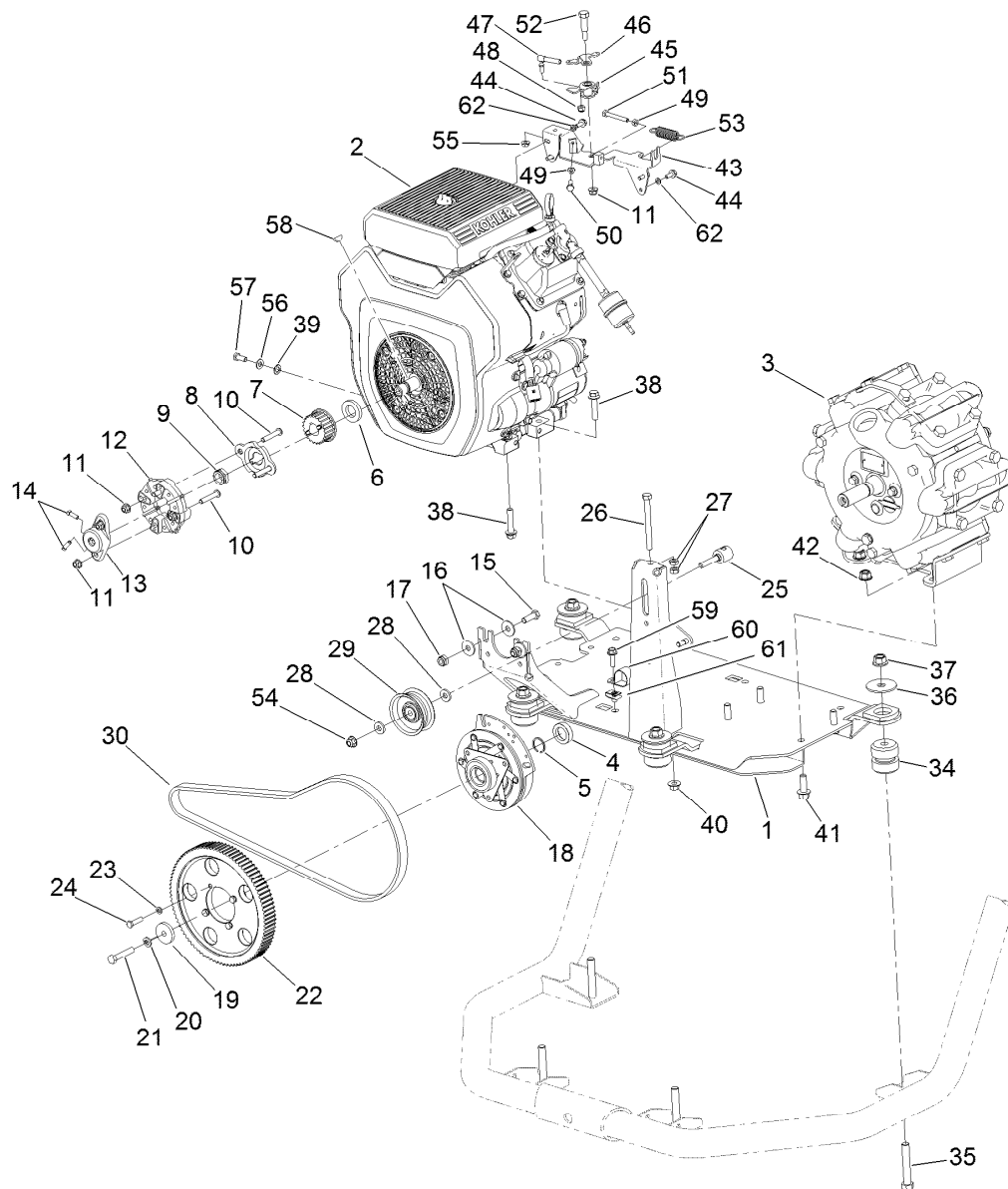
Engine Mounting Assembly

Ref.	Part Number	Qty.	Description	Ref.	Part Number	Qty.	Description
1	121-6511-03	1	Mount-Engine	18	120-7625	1	Clutch-Electric
2		1	Engine-Kohler, Ch740 ■▲	19	125-0604	1	Spacer-Clutch
2:1	108-3847	1	Filter-Oil ●	20	3253-5	1	Washer-Lock
3	120-8630	1	Pump	21	3211-46	1	Screw-HH
4	108-3301	1	Retainer-Spacer	22	125-7982	1	Sprocket-90 Tooth
5	108-3302	1	Ring-Snap	23	3253-3	4	Washer-Lock
6	104-1105	1	Spacer-Support, Deck	24	321-6	4	Screw-HH
7	125-8017	1	Sprocket-22 Tooth	25	125-0605	1	Shaft-Idler
8	125-4092	1	Adaptor-Sprocket, Flanged	26	107-4026	1	Screw-HH
9	3296-15	1	Nut-Lock, NI	27	3217-7	2	Nut-Hex
10	125-7977	4	Screw-HSBH	28	43-0940	2	Spacer
11	104-8300	5	Nut-HF, NI	29	1-633167	1	Sheave-Idler
12	119-0652	1	Coupler-Rubber	30	125-0765	1	Belt-Synchronous
13	115-2169	1	Hub-Pump	34	106-7865	4	Mount-Engine
14	3241-6	2	Screw-SQH	35	325-12	4	Screw-HH
15	323-18	2	Screw-HH	36	41985	4	Washer-Special
16	52-2861	4	Washer	37	99-5107	4	Nut-Lock
17	3296-44	2	Nut-Lock, NI	38	3234-19	4	Screw-HHF

● Not illustrated

▲ Obtain parts from www.kohlerplus.com

■ Not serviced separately

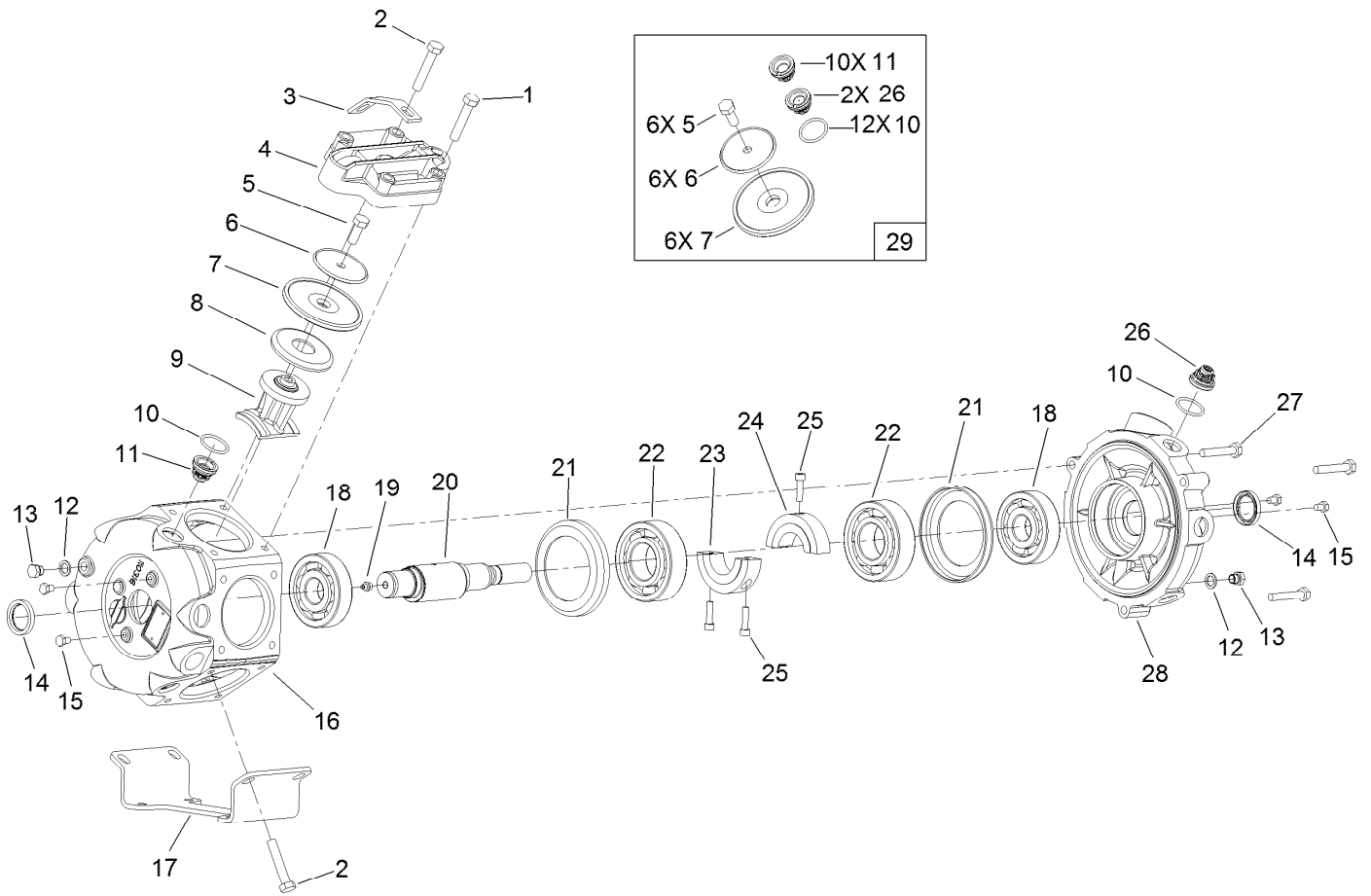


Engine Mounting Assembly (continued)

Ref.	Part Number	Qty.	Description	Ref.	Part Number	Qty.	Description
39	3255-9	1	Washer-Lock	51	108-3660	1	Screw-TAP
40	32128-43	4	Nut-Flange	52	7-0030	1	Screw-Shoulder, HH
41	3234-15	4	Screw-HHF	53	67-1450	1	Spring-Idler
42	114-8417	4	Nut-HF, NI	54	104-8301	1	Nut-HF, NI
43	87-7780-03	1	Bracket-Throttle	55	32128-33	1	Nut-HF
44	33103-016	4	Screw-HHF	56	3256-23	1	Washer-Plain
45	87-7800	1	Lever-Throttle	57	33114-020	1	Screw-HH
46	87-7790	1	Lever-Choke	58	3257-5	1	Key-Woodruff
47	18-1720	1	Ball Joint	59	3234-17	1	Screw-HHF
48	3296-3	1	Nut-Lock	60	2412-126	1	R-Clamp
49	3220-1	2	Nut-Jam	61	115-7721	1	Nut-Clip, U
50	329-6	1	Screw-HH	62	48-8020	4	Washer-Spring

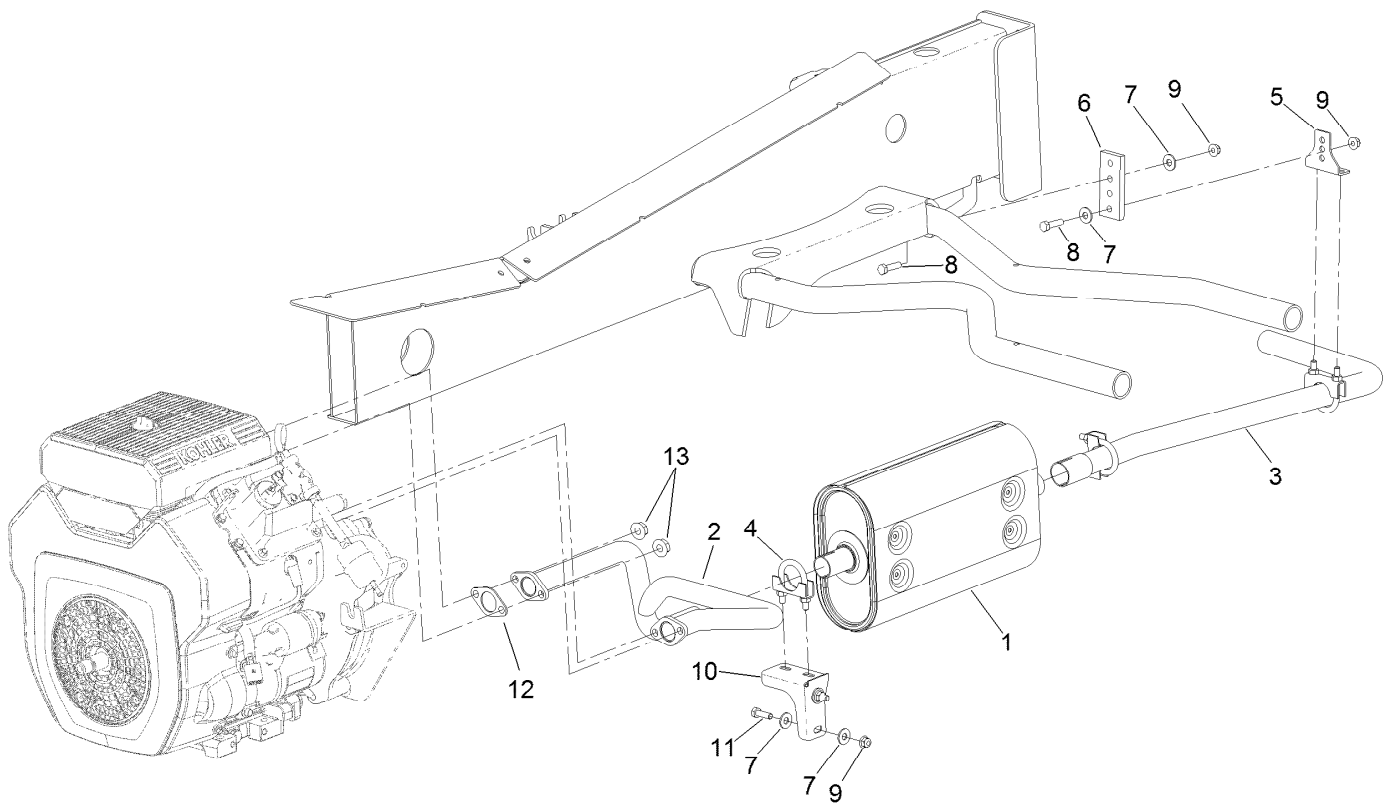
● Not illustrated
 ▲ Obtain parts from www.kohlerplus.com

■ Not serviced separately



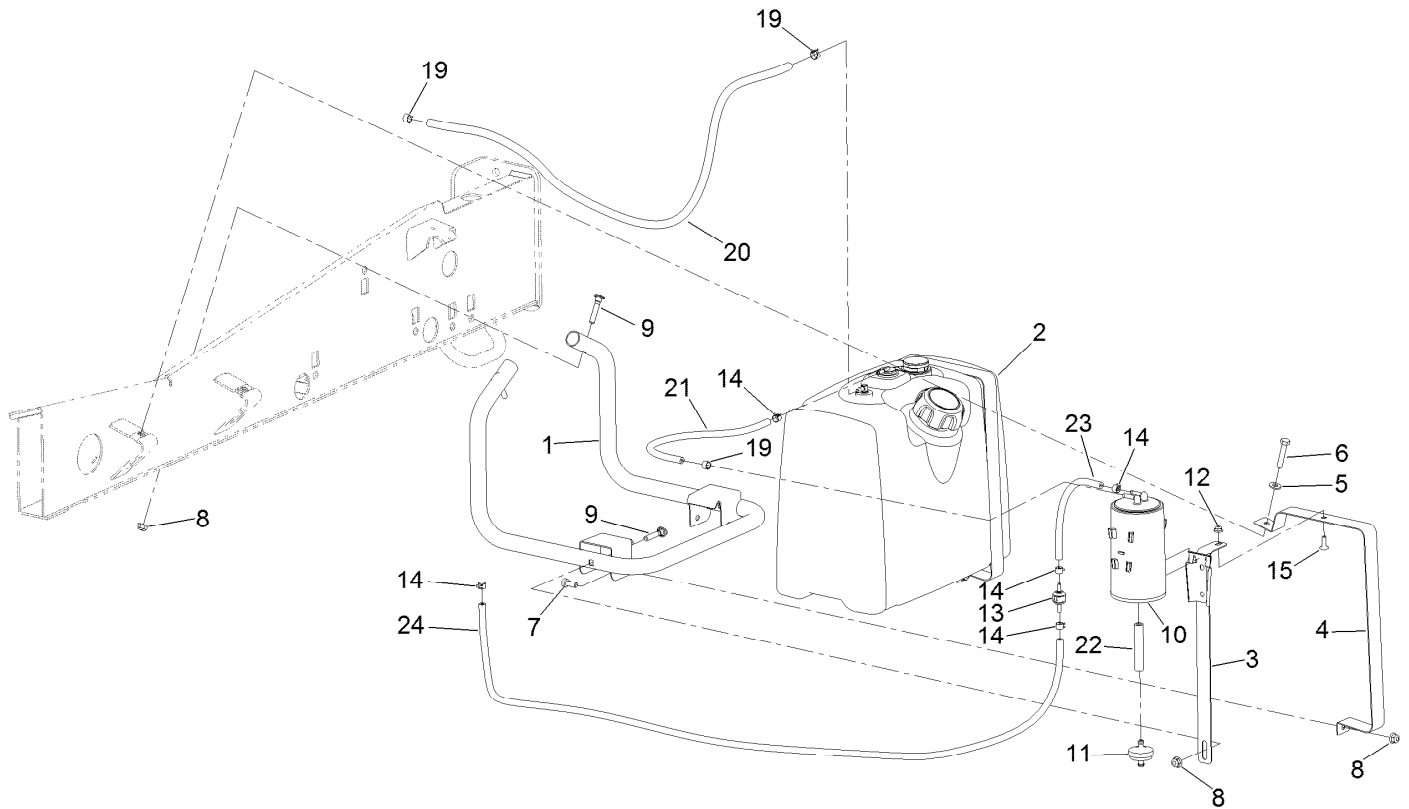
Pump Assembly No. 120-8630

Ref.	Part Number	Qty.	Description	Ref.	Part Number	Qty.	Description
1	120-0773	18	Bolt-Hex	16	125-8142	1	Housing-Pump
2	120-0774	6	Bolt-Hex	17	120-0787	1	Foot-Pump
3	125-8140	1	Bracket-Pump	18	120-0788	2	Bearing-Ball
4	120-0776	6	Cover-Valve	19	99-0873	1	Fitting-Grease
5	120-0777	6	Bolt-Hex	20	125-8143	1	Shaft-Crank
6	120-0778	6	Disc-Diaphragm	21	120-0790	2	Spacer-Metal
7	120-0779	6	Diaphragm	22	120-0791	2	Bearing-Ball
8	120-0780	6	Disc-Backing, Diaphragm	23	125-8144	1	Counterbalance
9	125-8141	6	Rod-Connectiing	24	125-8145	1	Counterbalance
10	100-6651	12	O-Ring	25	125-8146	3	Bolt-Allen
11	99-0861	10	Valve-Pump	26	120-0793	2	Valve W/Hole
12	120-0786	2	Seal	27	120-0794	3	Bolt-Hex
13	120-0785	2	Plug	28	120-0795	1	Casting-Pump
14	120-0783	2	Seal-Oil	29	120-0796	1	Pump Kit
15	120-0784	4	Bolt-Hex				



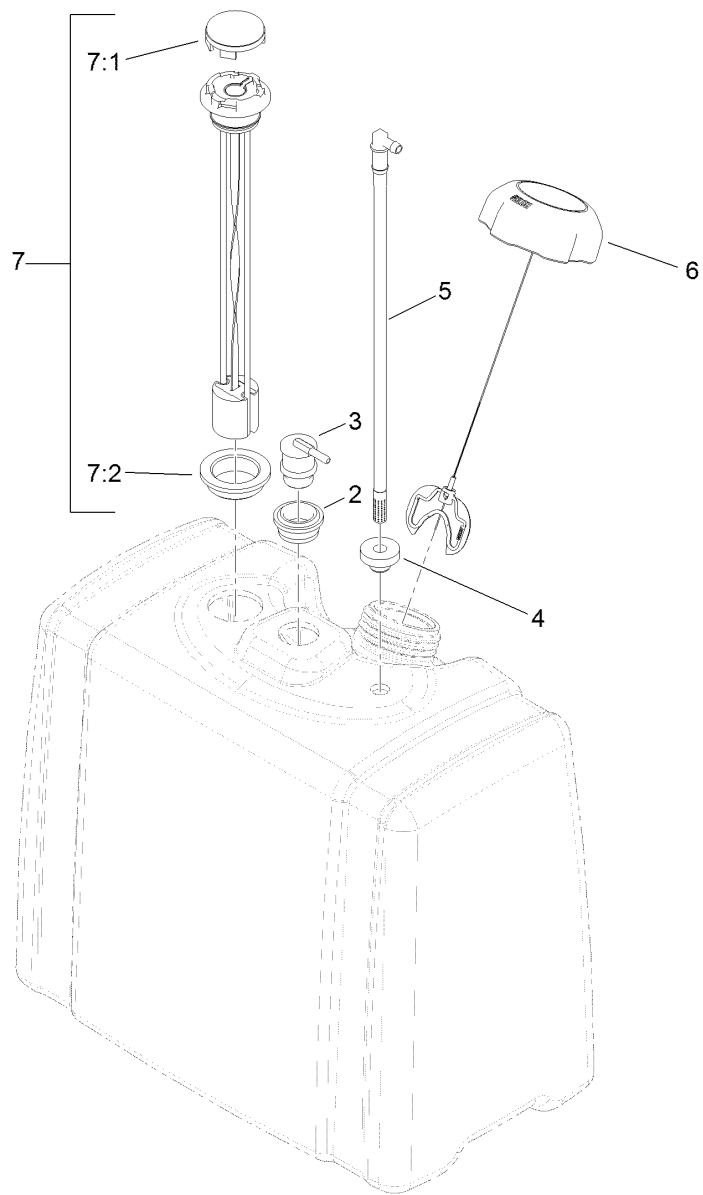
Exhaust Assembly

<i>Ref.</i>	<i>Part Number</i>	<i>Qty.</i>	<i>Description</i>
1	125-0678	1	Muffler
2	125-0671	1	Manifold-Exhaust
3	125-0681	1	Tailpipe
4	2112-11	3	Clamp-Muffler
5	125-4011	1	Bracket-Hanger, Tailpipe
6	117-0744	1	Hanger-Muffler
7	3256-3	6	Washer-Flat
8	322-6	2	Screw-HH
9	104-8300	4	Nut-HF, NI
10	127-3975	1	Bracket-Muffler
11	322-5	2	Screw-HH
12	110-6697	2	Gasket-Exhaust
13	92-6780	4	Nut-HF



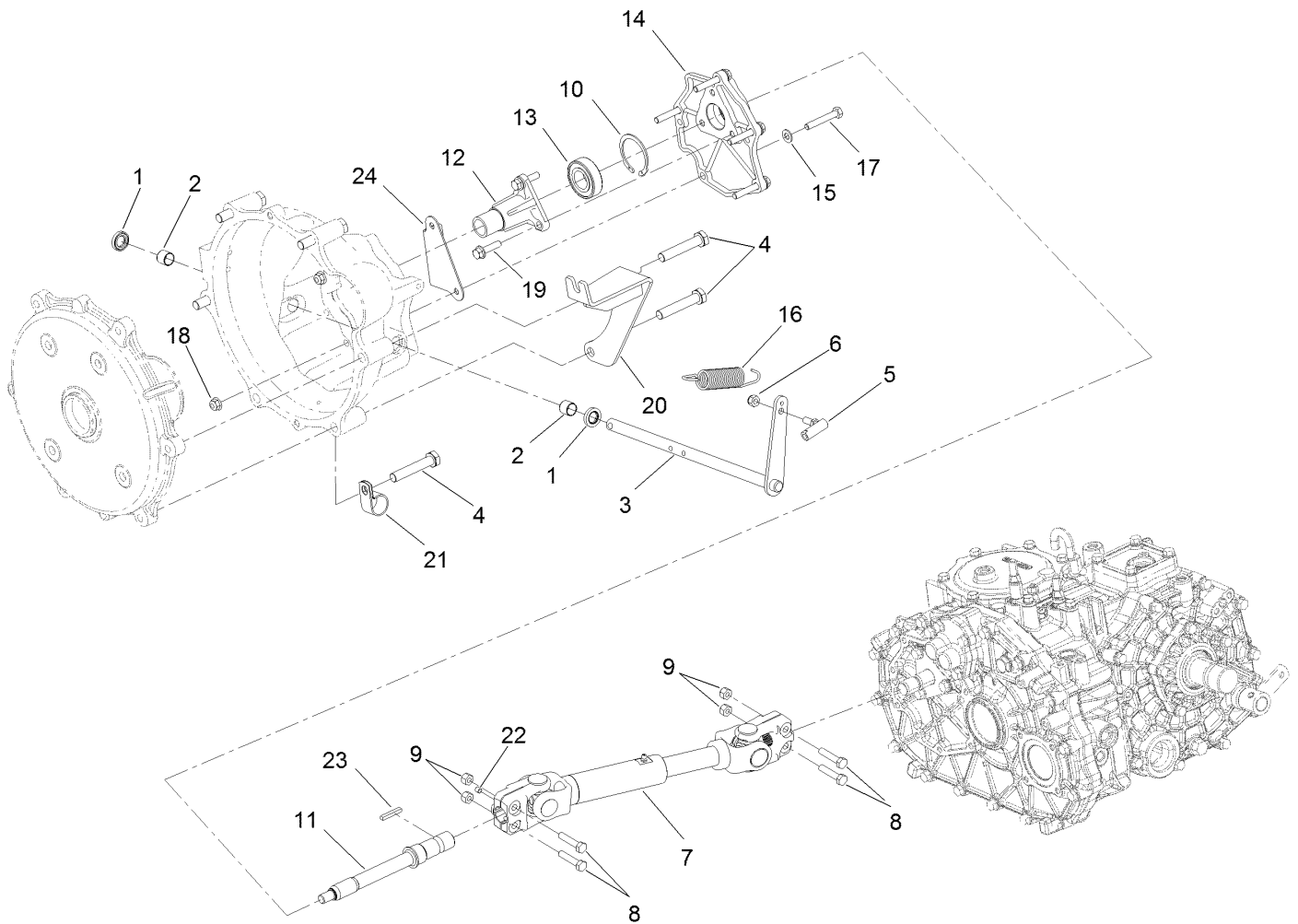
Fuel Tank, Filter and Line Assembly

<i>Ref.</i>	<i>Part Number</i>	<i>Qty.</i>	<i>Description</i>	<i>Ref.</i>	<i>Part Number</i>	<i>Qty.</i>	<i>Description</i>
1	125-0850-03	1	Tube-Mount, Fuel Tank	12	104-7201	1	Nut-HF
2	115-9048	1	Fuel Tank ASM	13	115-7868	1	Valve-Check, Vacuum
3	125-8129-03	1	Strap-Cannister, Carbon	14	2412-146	5	Clamp-Hose
4	125-0853	2	Strap-Fuel Tank	15	1-807512	1	Bolt-CARR
5	33094-00	2	Washer-Plain	19	2412-98	3	Clamp-Hose
6	322-41	2	Screw-HH	20	109-0286	1	Hose-Fuel
7	322-3	2	Screw-HH	21	112-7048	1	Hose-Fuel
8	104-8300	5	Nut-HF, NI	22	110-0047	1	Hose-Fuel
9	17-9420	3	Screw-Handle	23	115-7871	1	Hose-Fuel
10	115-2251	1	Canister-Carbon	24	119-6073	1	Hose-Fuel
11	115-7854	1	Filter-Fuel, Inline				



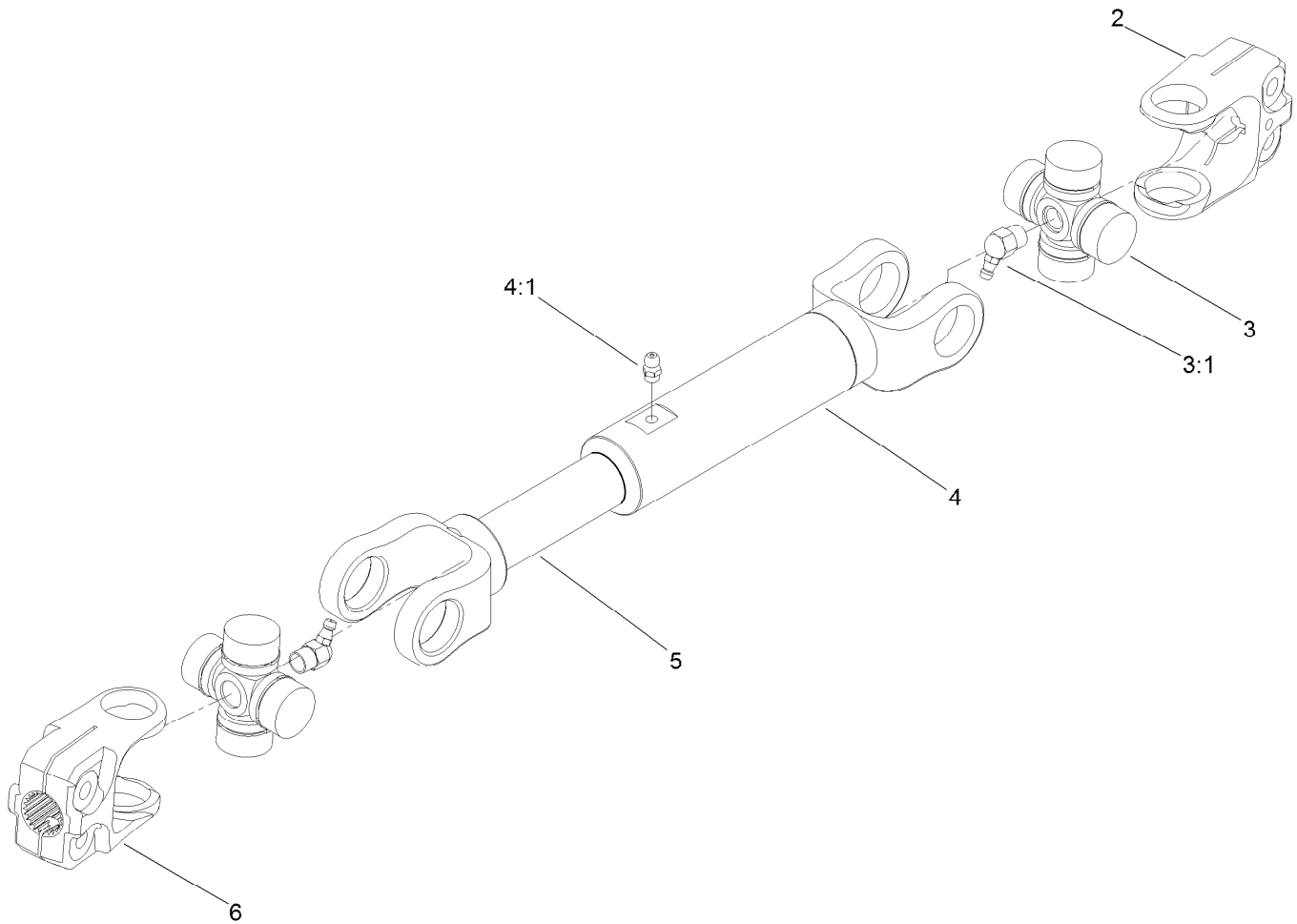
Fuel Tank Assembly No. 115-9048

<i>Ref.</i>	<i>Part Number</i>	<i>Qty.</i>	<i>Description</i>
2	114-0284	1	Grommet
3	114-0285	1	Valve-Rollover
4	46-6560	1	Bushing
5	115-9044	1	Pipe-Stand
6	115-7788	1	Cap-Fuel
7	119-0509	1	Gauge ASM
7:1	117-8404	1	Dial-Gauge
7:2	119-0508	1	Seal



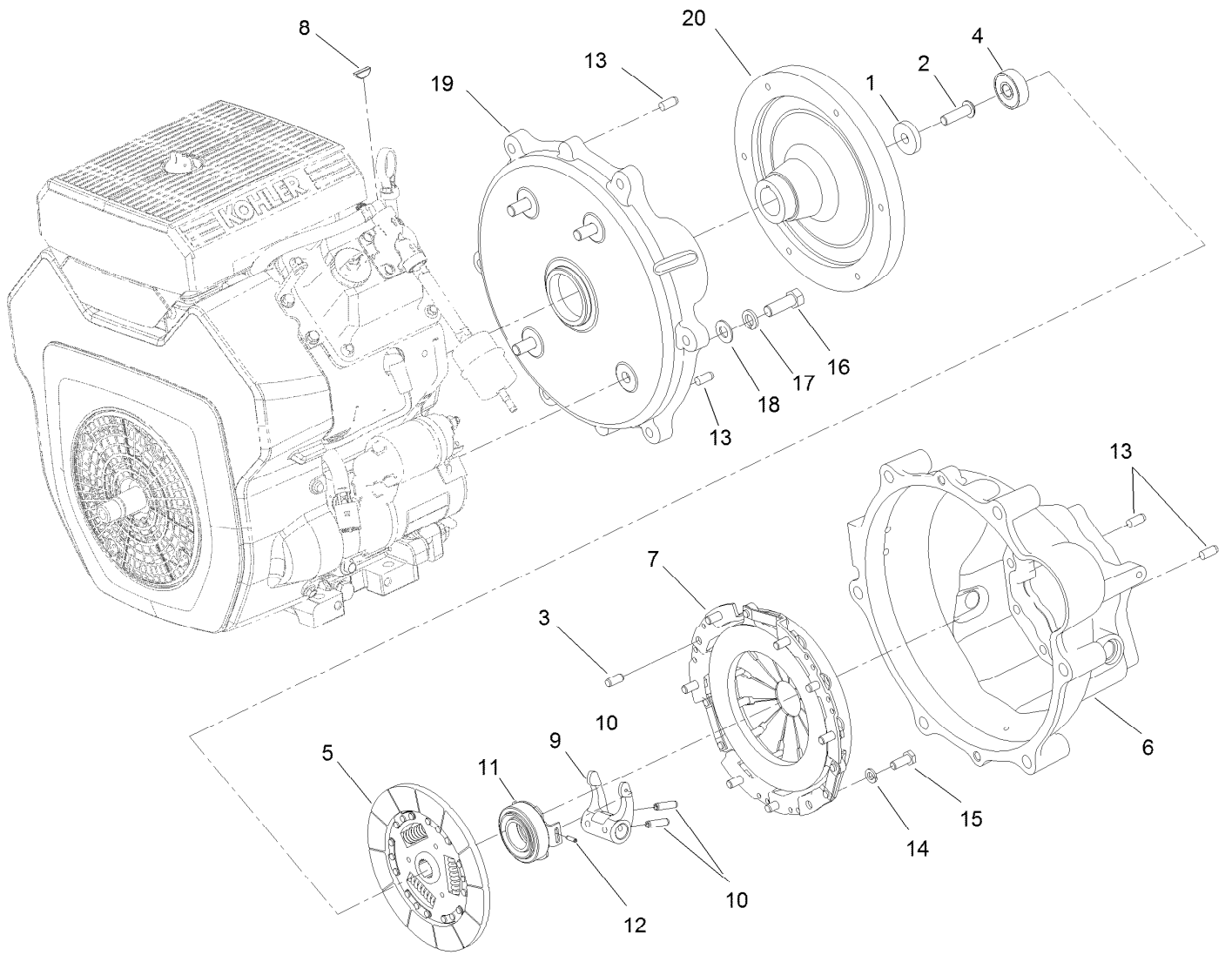
Driveshaft Connection Assembly

<i>Ref.</i>	<i>Part Number</i>	<i>Qty.</i>	<i>Description</i>	<i>Ref.</i>	<i>Part Number</i>	<i>Qty.</i>	<i>Description</i>
1	87-1920	2	Seal-Oil	13	251-82	1	Bearing-Ball
2	87-3770	2	Bushing-Housing, Bell	14	125-0820	1	Cover-Bearing Support
3	115-2311	1	Lever-Clutch	15	3256-23	5	Washer-Plain
4	107-7983	6	Screw-HH	16	68-9950	1	Spring-Traction
5	2411-33	1	Balljoint-RH (W/Grommet)	17	322-10	5	Screw-HH
6	3296-4	1	Nut-Lock	18	104-8300	5	Nut-HF, NI
7	119-6040	1	Driveshaft ASM	19	119-4036	3	Screw-HHF
8	322-7	4	Screw-HH	20	125-8063-03	1	Bracket-Cable, Clutch
9	3296-29	4	Nut-Lock, NI	21	2412-82	1	Clamp
10	32151-71	1	Ring-Retaining, Internal	22	3245-32	1	Screw-HSH
11	125-0797	1	Shaft-Output	23	92-0049	1	Key-Square
12	87-5320	1	Release-Guide	24	127-3921	1	Bracket-Bell Housing



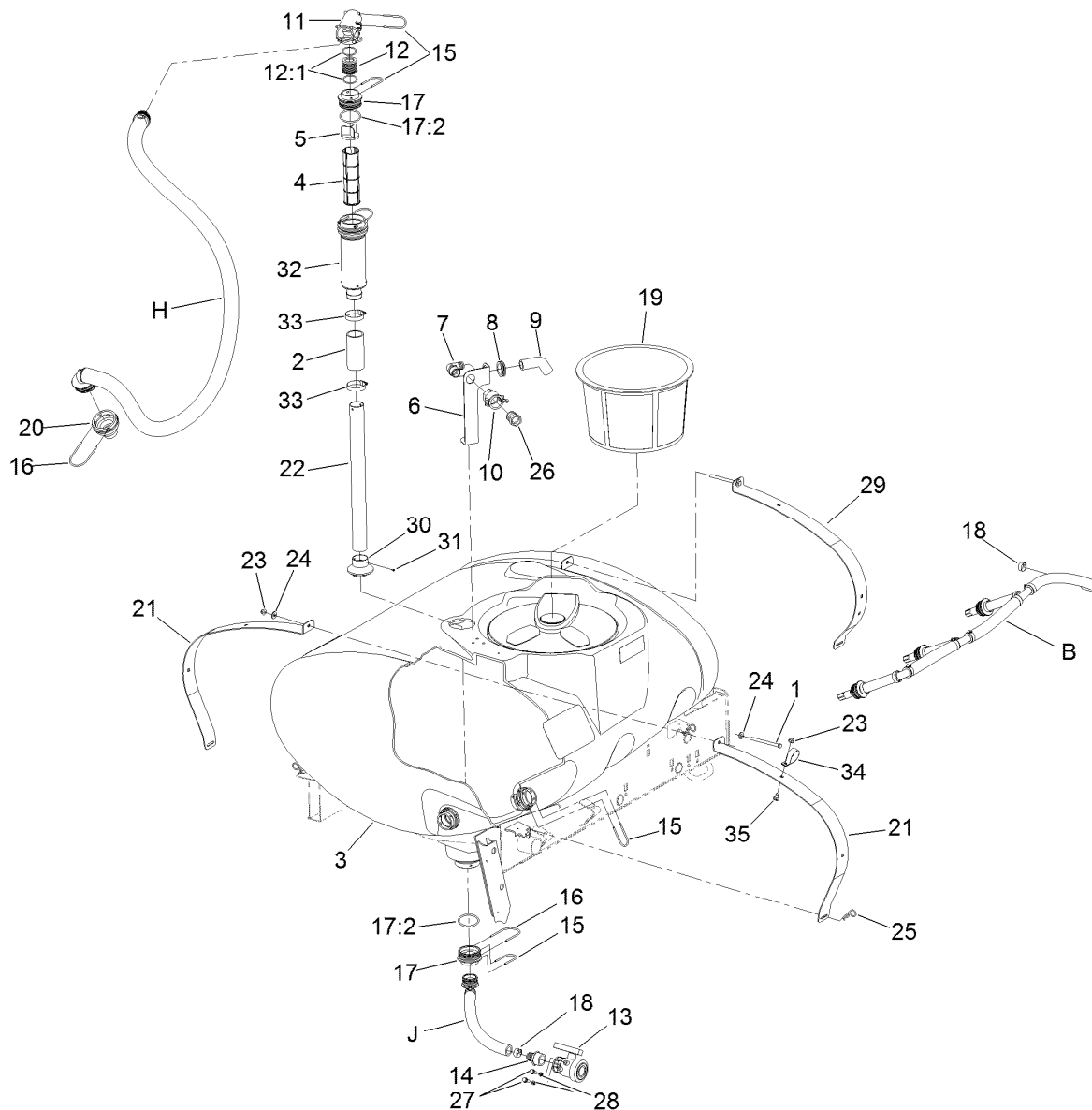
Driveshaft Assembly No. 119-6040

<i>Ref.</i>	<i>Part Number</i>	<i>Qty.</i>	<i>Description</i>
2	100-8633	1	Yoke-Keyed
3	54-9180	2	U-Joint Kit
3:1	62-3820	1	Fitting-Grease
4	110-4706	1	Tube-Yoke, Slip
4:1	302-58	1	Fitting-Straight
5	110-4705	1	Shaft-Yoke, Slip
6	100-8632	1	Yoke-Splined



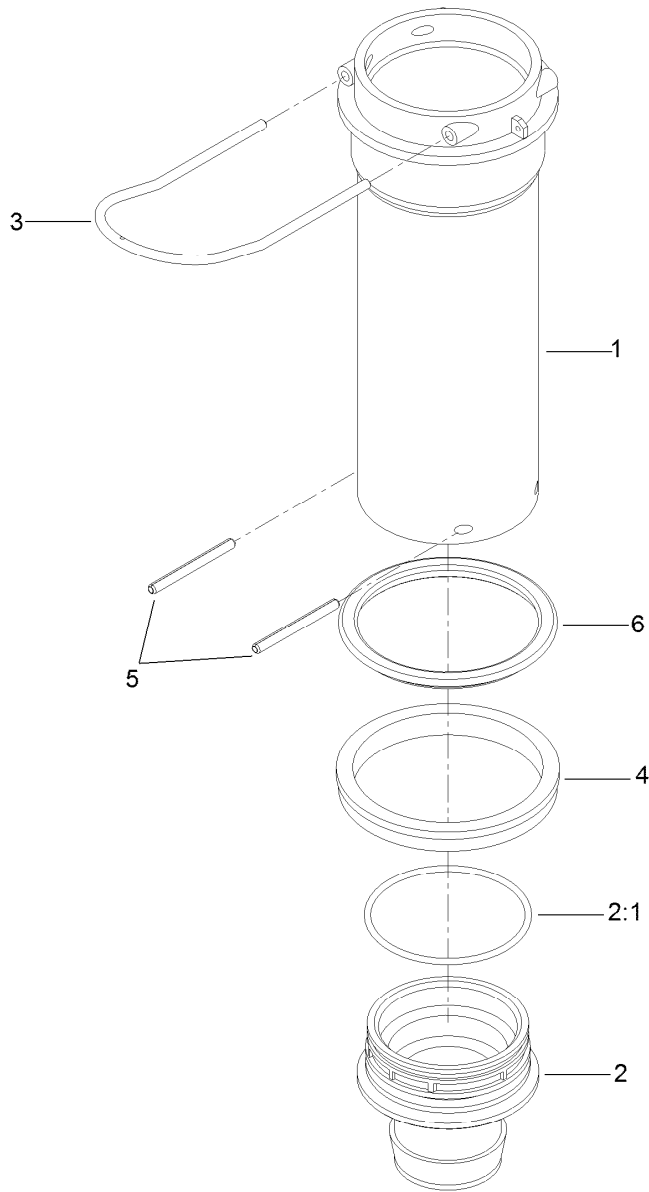
Clutch and Bell Housing Assembly

<i>Ref.</i>	<i>Part Number</i>	<i>Qty.</i>	<i>Description</i>	<i>Ref.</i>	<i>Part Number</i>	<i>Qty.</i>	<i>Description</i>
1	87-6080	1	Washer	11	110-2538	1	Bearing-Release, Clutch
2	3274-63	1	Screw-HSBH	12	32121-7	1	Pin-Roll, Slotted
3	42-7160	3	Pin	13	87-1910	4	Pin-Dowel
4	87-6460	1	Bearing-Ball (W/Seal)	14	3253-4	6	Washer-Lock
5	98-2959	1	Disc-Clutch	15	33114-020	6	Screw-HH
6	104-9249	1	Housing-Bell	16	324-5	4	Screw-HH
7	98-2958	1	Cover-Clutch	17	3253-6	4	Washer-Lock
8	3257-5	1	Key-Woodruff	18	3256-25	4	Washer-Flat
9	87-5300	1	Fork-Clutch	19	107-7991	1	Adapter-Clutch
10	32121-24	2	Pin-Spring	20	87-6480	1	Flywheel



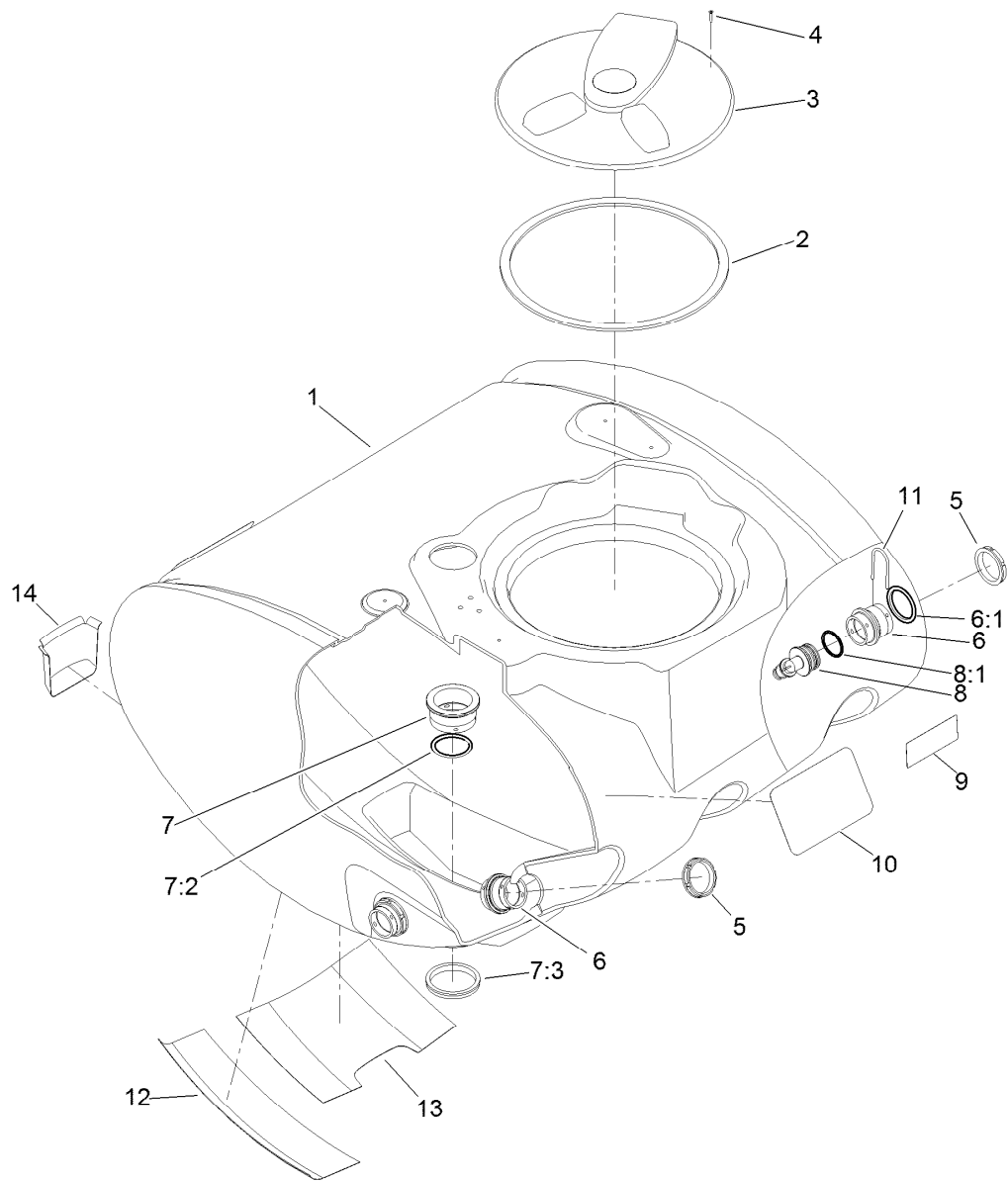
Spray Tank Assembly

Ref.	Part Number	Qty.	Description	Ref.	Part Number	Qty.	Description
1	323-59	2	Bolt-Cap	18	2412-34	2	Clamp-Hose
2	100-8649	1	Hose-Suction	19	119-9419	1	Basket-Filter
3	121-6491	1	Tank ASM	20	117-7858	1	Fitting-Pump
4	100-8642	1	Screen-Suction	21	121-6477-03	2	Band-Tank
5	100-8641	1	Vane-Screen	22	125-7997	1	Tube-Suction
6	110-5082-03	1	Bracket-Anti Siphon	23	104-8301	3	Nut-HF, NI
7	41140	1	Elbow	24	3256-4	4	Washer-Flat
8	110-5090	1	Grommet	25	3290-343	4	Pin-Hair
9	110-5088	1	Hose-Fill	26	41316	1	Adapter-Quick
10	100-6779	1	Coupling-Female	27	3234-29	2	Screw-HHF
11	100-6704	1	Tee	28	3296-47	2	Nut-Lock, NI
12	106-4947	1	Connector	29	125-0987-03	2	Band-Tank, Rear
12:1	100-8637	2	O-Ring	30	100-6714	1	Foot-Tube, Suction
13	108-0069	1	Valve-Ball	31	108-3270	1	Screw-TAP
14	110-5224	1	Fitting-Barbed, Straight	32	125-8006	1	Suction Filter ASM
15	100-8635	8	Fork	33	2412-125	2	Clamp-Hose
16	117-7996	2	Fork	34	2412-96	1	Clamp-R
17	117-7928	2	Adapter ASM	35	3231-1	1	Screw-CARR
17:2	100-6989	1	O-Ring				



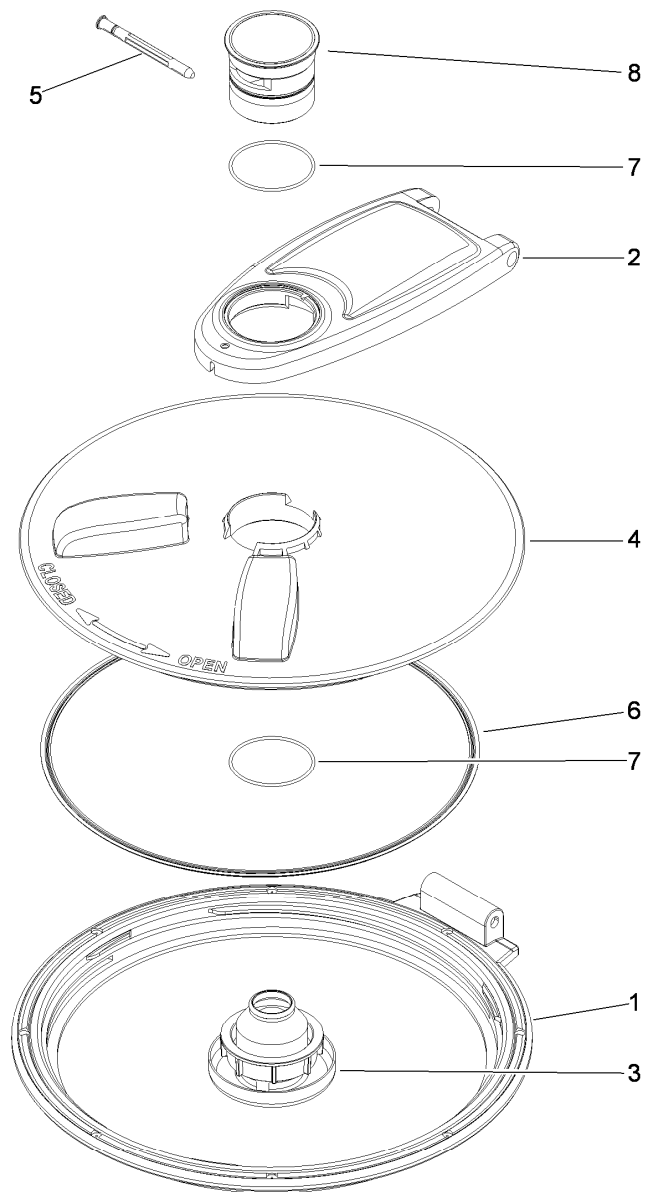
Suction Filter Assembly No. 125-8006

<i>Ref.</i>	<i>Part Number</i>	<i>Qty.</i>	<i>Description</i>
1	100-8643	1	Housing-Filter
2	106-4942	1	Hosebarb-Straight
2:1	100-6989	1	O-Ring
3	100-8636	1	Fork-Special
4	100-8647	1	Nut-Bulkhead
5	100-8644	2	Pin-Expansion
6	100-8646	1	Gasket-Bulkhead



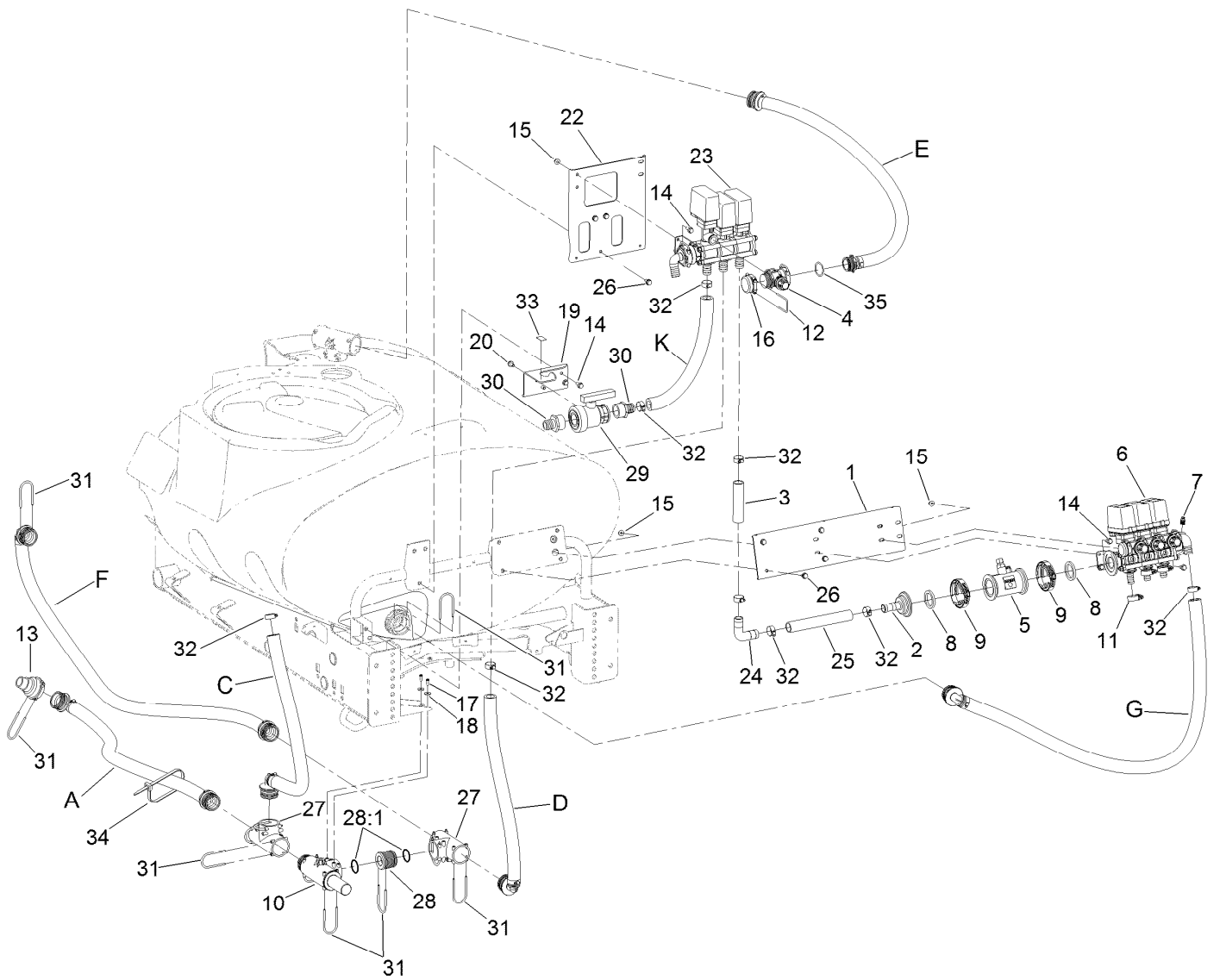
Tank Assembly

<i>Ref.</i>	<i>Part Number</i>	<i>Qty.</i>	<i>Description</i>	<i>Ref.</i>	<i>Part Number</i>	<i>Qty.</i>	<i>Description</i>
1	121-6490	1	Tank-175 Gallon	7:3	100-8647	1	Nut-Bulkhead
2	119-9378	1	Gasket-Lid, Tank	8	106-4933	2	Hosebarb ASM
3	119-9380	1	Spray Tank Lid ASM	8:1	100-8637	1	O-Ring
4	107-8635	8	Screw-PFH	9	120-0622	1	Decal-Warning
5	100-7051	4	Nut-Bulkhead	10	121-6486	2	Decal-Tank
6	108-3358	5	Fitting-Bulkhead	11	100-8635	2	Fork
6:1	107-2864	1	Gasket-Bulkhead	12	125-7967	1	Heat Tape-Shield, Front
7	117-7851	1	Bulkhead ASM	13	125-7968	1	Heat Tape-Shield, Side
7:2	100-8646	1	Gasket-Bulkhead	14	125-7969	1	Heat Tape-Shield, Sump



Spray Tank Lid Assembly No. 119-9380

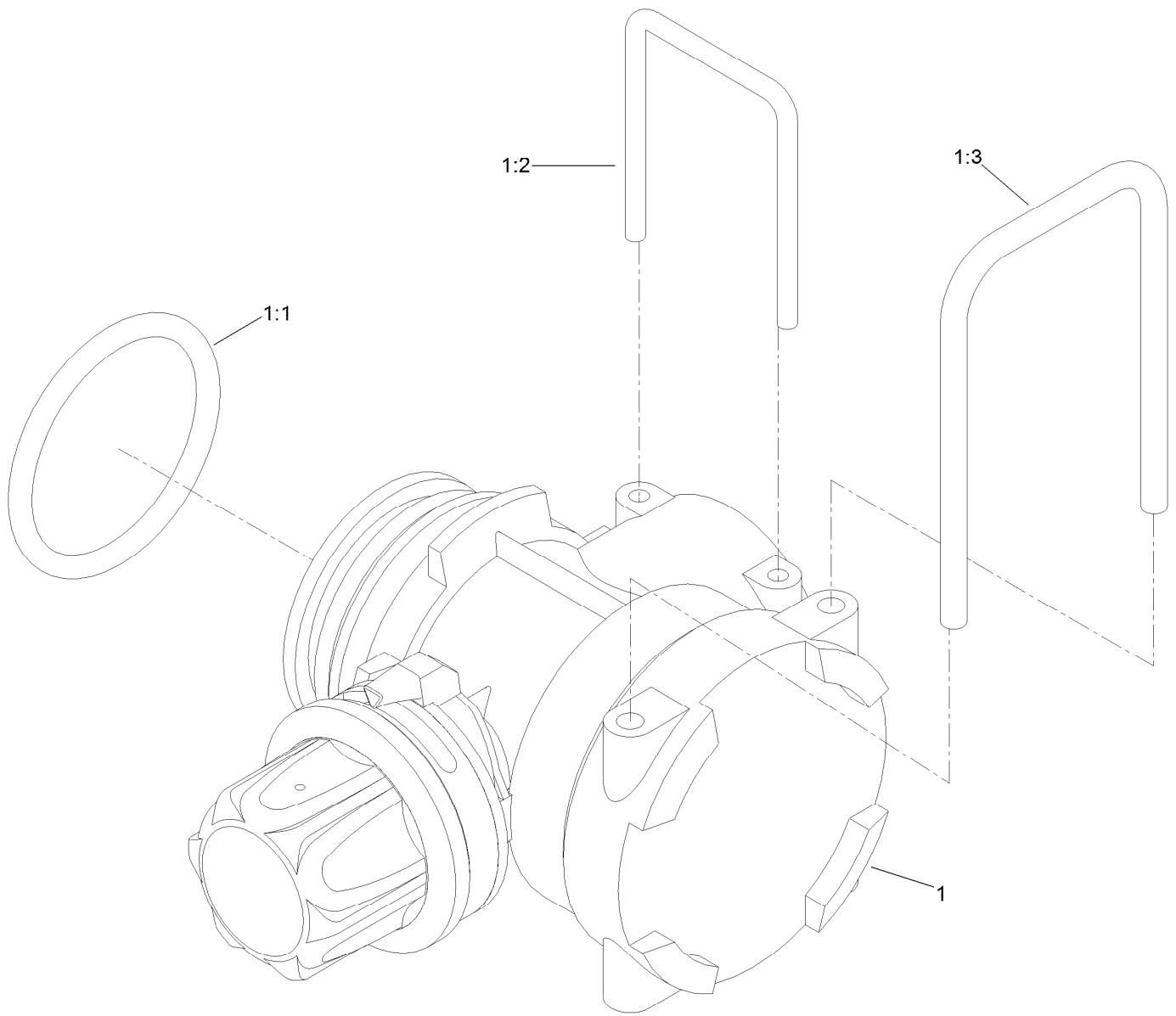
<i>Ref.</i>	<i>Part Number</i>	<i>Qty.</i>	<i>Description</i>
1	119-9381	1	Ring-Lid
2	119-9382	1	Arm-Lid
3	119-9383	1	Vent-Lid
4	119-9384	1	Cover-Lid
5	119-9385	1	Pin-Pivot
6	106-5004	1	Seal-Lid
7	119-9386	2	O-Ring
8	119-9387	1	Cap-Lid



Spray Tank Valve Assembly

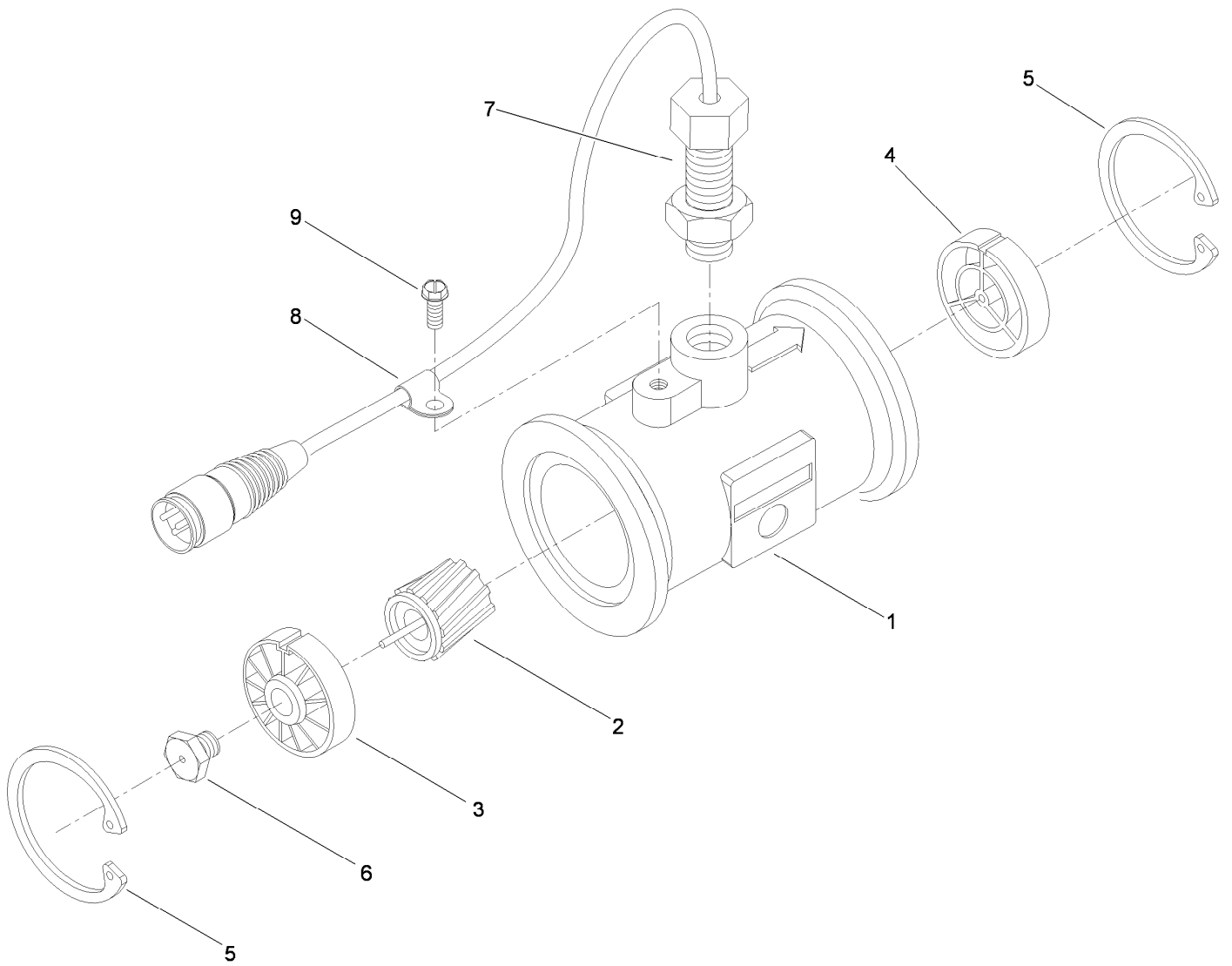
Ref.	Part Number	Qty.	Description	Ref.	Part Number	Qty.	Description
1	125-7985-03	1	Bracket-Boom Valve	19	125-0985-03	1	Mount-Agitation Valve
2	107-8704	1	Hosebarb	20	3234-7	2	Screw-HHF
3	125-0659	1	Hose-Master Boom	22	125-8124-03	1	Bracket-Agitation Valve
4	125-0613	1	Bypass Manifold ASM	23		1	Agitation Manifold ASM ●
5	106-1038	1	Flow Meter ASM	24	117-7867	1	Elbow-Hosebarb
6	125-0616	1	Boom Manifold ASM	25	127-3909	1	Hose-Master Boom
7	100-8674	1	Coupler-Tube	26	32144-70	7	Screw-HWHTF
8	104-9090	2	Gasket	27	100-6704	2	Tee
9	104-9089	2	Clamp-Screw, Worm	28	106-4947	1	Connector
10	117-7874	1	Relief Valve ASM	28:1	100-8637	2	O-Ring
11	2412-129	3	Clamp-Hose	29	108-0069	1	Valve-Ball
12	119-4863	1	Fork	30	110-5224	2	Fitting-Barbed, Straight
13	117-7859	1	Fitting-Pump	31	100-8635	12	Fork
14	3234-47	10	Screw-HHF	32	2412-34	9	Clamp-Hose
15	104-8300	8	Nut-HF, NI	33	127-3943	1	Decal-Agitation, Throttle
16	120-8596	1	Cap-Valve	34	3334-945	3	Tie-Cable
17	32144-32	2	Screw	35	119-4869	1	O-Ring
18	3256-61	2	Washer-Flat				

● Not serviced separately



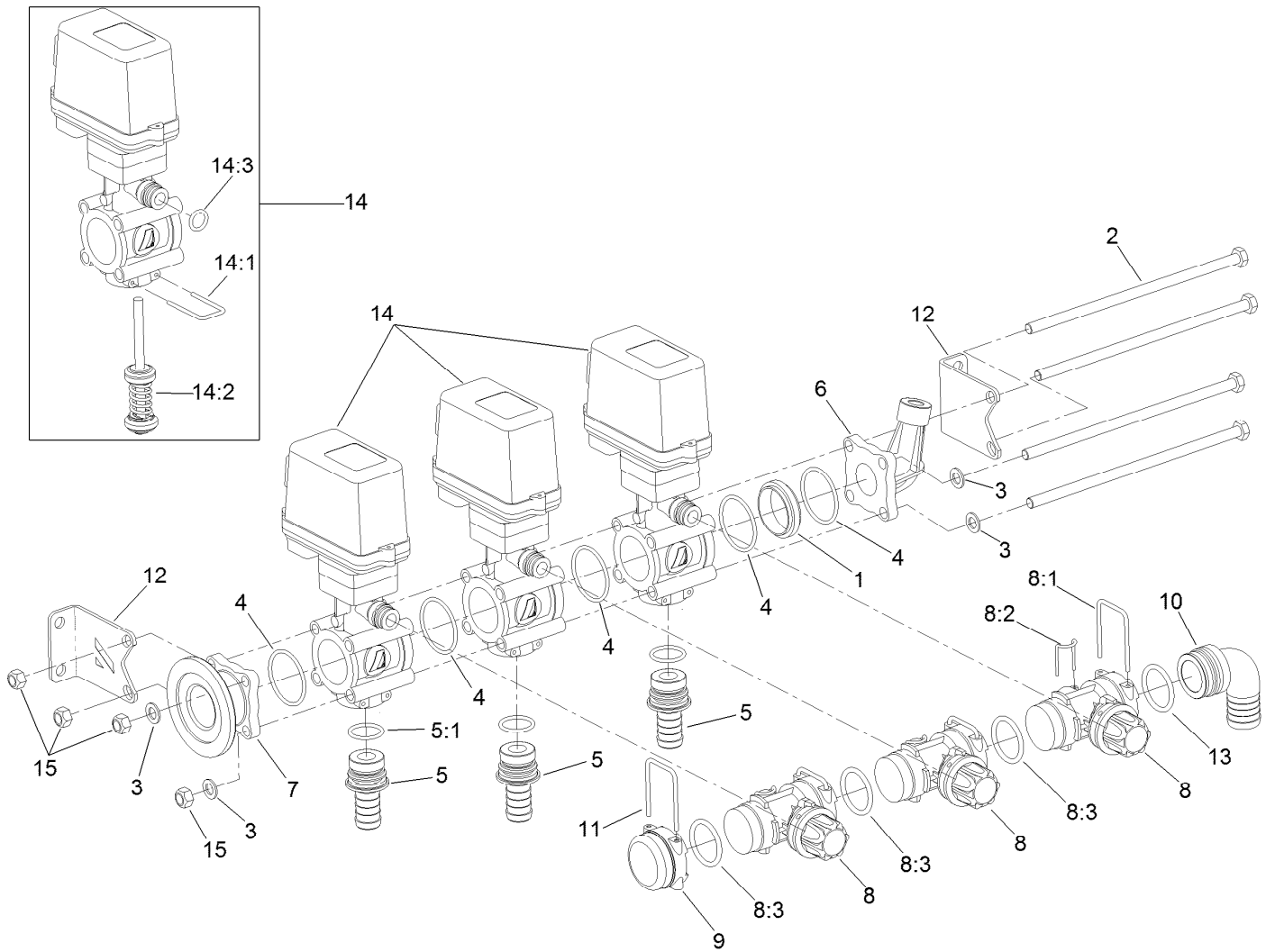
Bypass Manifold Assembly No. 125-0613

<i>Ref.</i>	<i>Part Number</i>	<i>Qty.</i>	<i>Description</i>
1	120-8595	1	Valve-Bypass
1:1	119-4869	1	O-Ring
1:2	119-4862	1	Fork
1:3	119-4863	1	Fork



Flow Meter Assembly No. 106-1038

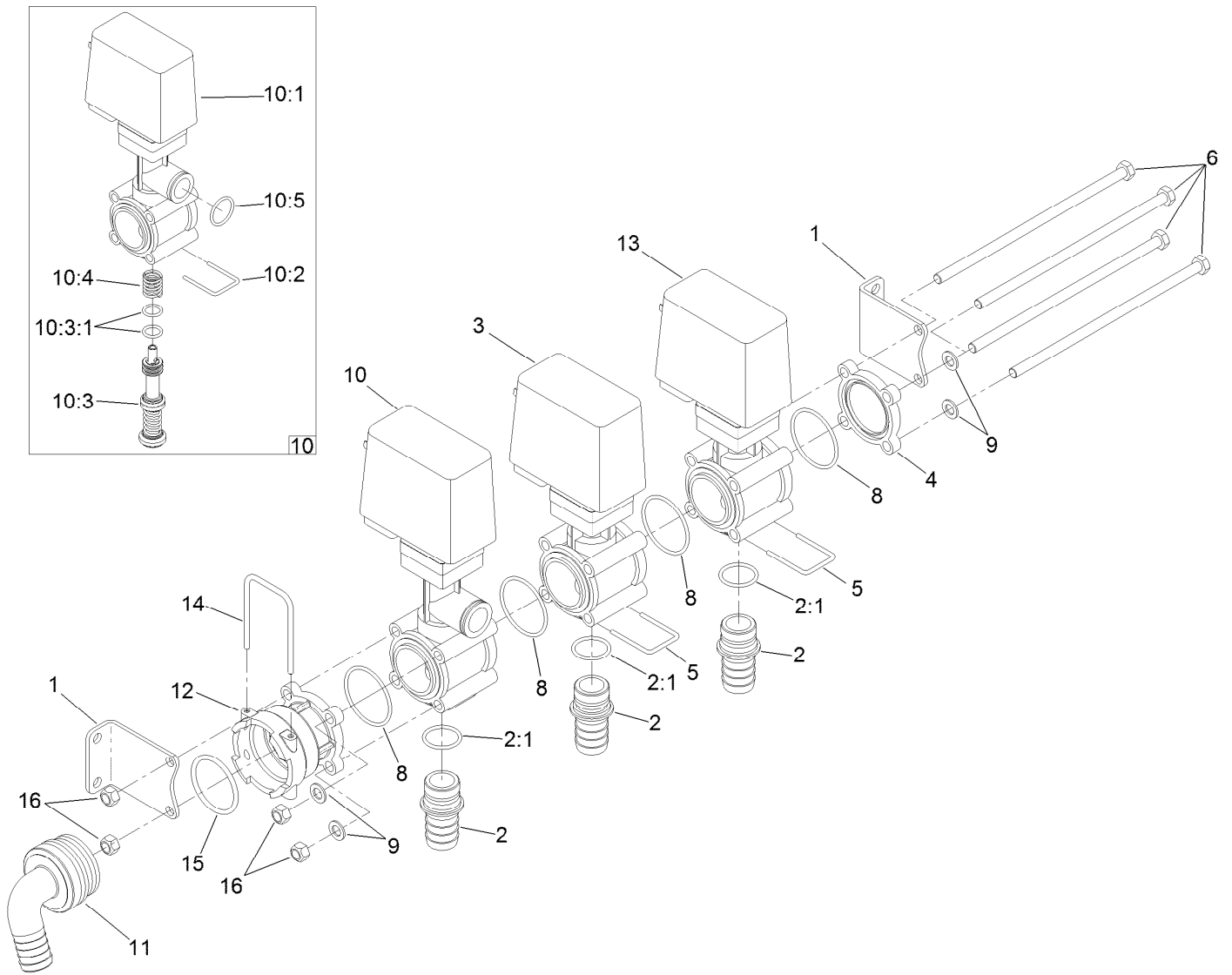
<i>Ref.</i>	<i>Part Number</i>	<i>Qty.</i>	<i>Description</i>
1	106-1042	1	Body-Meter, Flow
2	104-9059	1	Rotor / Magnet ASM
3	104-9060	1	Upstream Hub And Bearing ASM
4	104-9061	1	Downstream Hub ASM
5	104-9062	2	Ring-Retaining, Internal
6	42480	1	Stud-Turbine (W / Bearing)
7	104-9065	1	External Sensor ASM
8	104-9063	1	Clamp-Cable
9	104-9064	1	Screw-HWHTF



Boom Manifold Assembly No. 125-0616

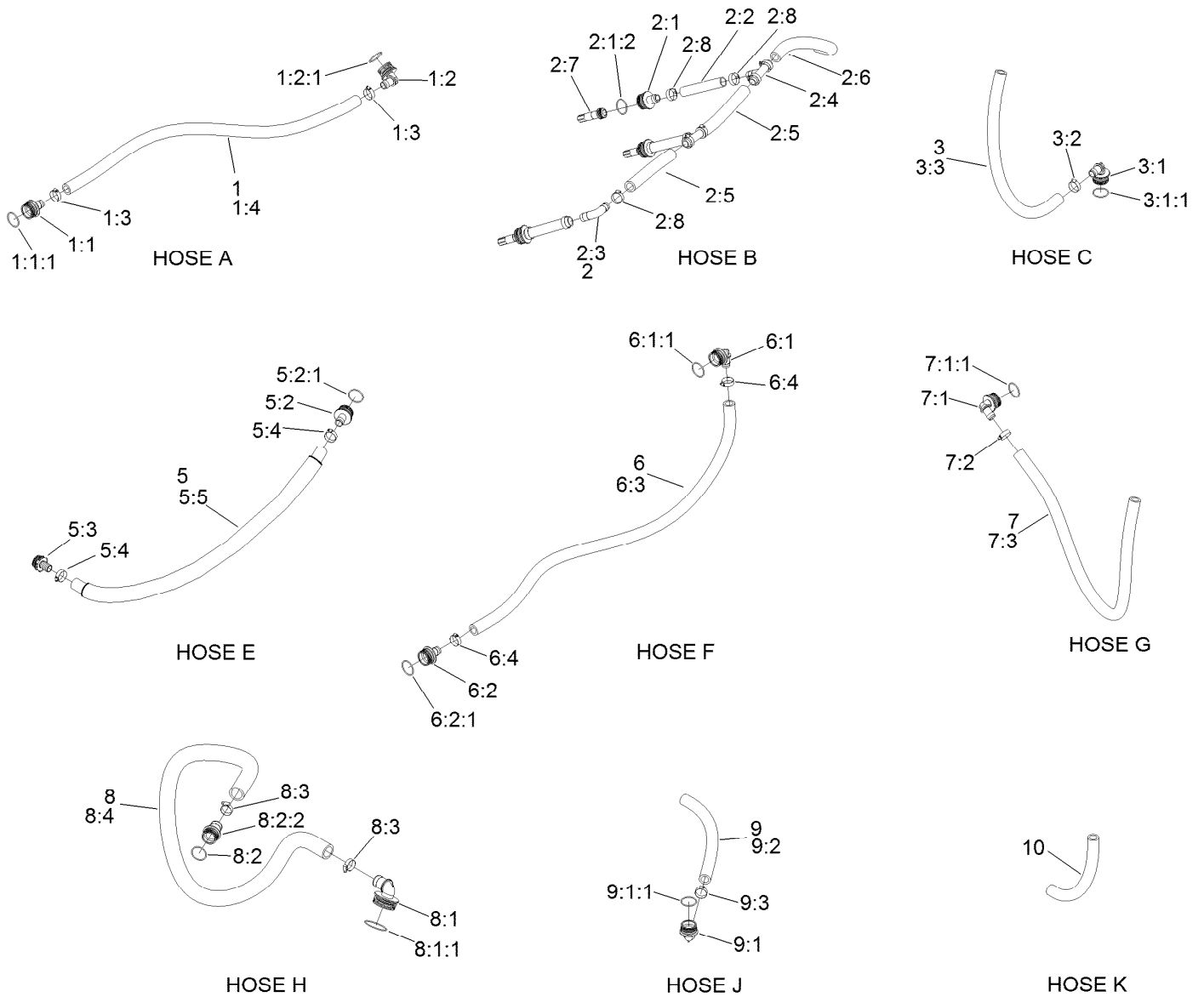
<i>Ref.</i>	<i>Part Number</i>	<i>Qty.</i>	<i>Description</i>
1	119-0453	1	Adapter-Male-Male
2	119-4867	4	Screw-HH
3	119-4871	4	Washer
4	119-4974	5	O-Ring
5	121-5102	3	Hosebarb
5:1	119-4975	1	O-Ring
6	121-5103	1	Port-Pressure Gauge
7	121-5104	1	Flange-Female
8	121-5105	3	Valve-Bypass
8:1	121-5108	1	Fork
8:2	121-5110	1	Fork

<i>Ref.</i>	<i>Part Number</i>	<i>Qty.</i>	<i>Description</i>
8:3	121-5114	1	O-Ring
9	121-5106	1	Cap-Bypass Valve
10	121-5107	1	Elbow-Hosebarb
11	121-5108	1	Fork
12	121-5109	2	Bracket Mounting Kit
13	121-5114	1	O-Ring
14	125-4120	3	Valve (W/Bypass)
14:1	119-4901	1	Fork
14:2	121-5116	1	Piston-Arag Valve
14:3	121-5123	1	O-Ring
15	33024-00	4	Nut-Lock, NI



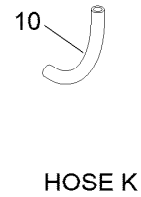
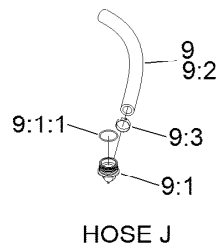
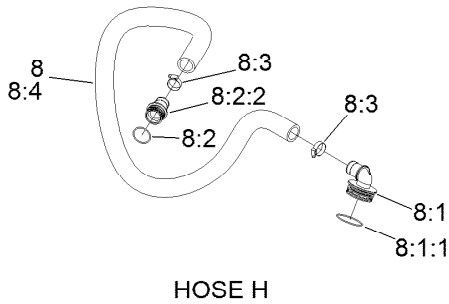
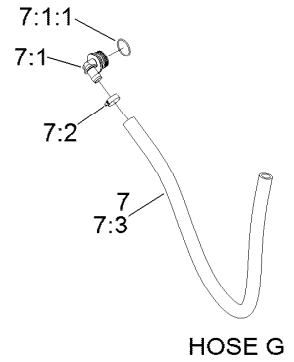
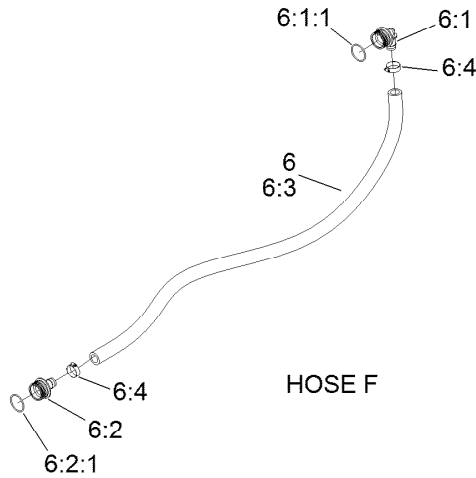
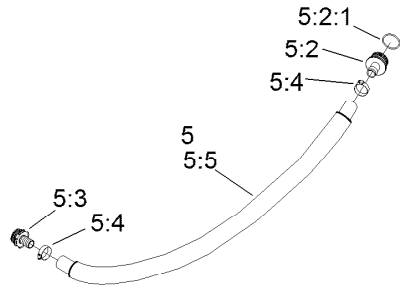
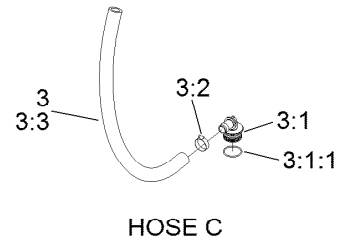
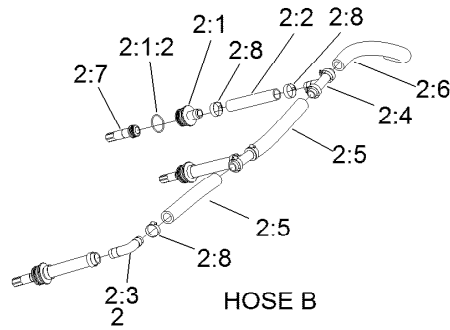
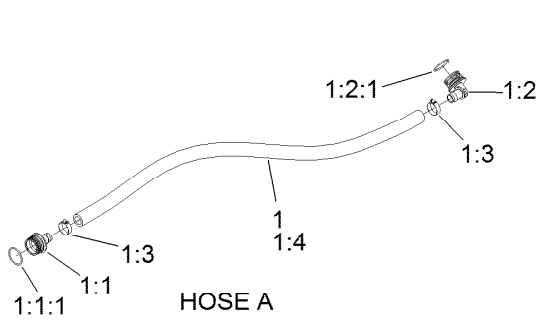
Agitation Manifold Valve Assembly

<i>Ref.</i>	<i>Part Number</i>	<i>Qty.</i>	<i>Description</i>
1	117-7975	2	Bracket Mounting Kit
2	117-7992	3	Hosebarb
2:1	119-4868	1	O-Ring
3	119-0465	1	Valve-Proportional
4	119-0531	1	Adapter-Cover
5	119-4862	2	Fork
6	119-4867	4	Screw-HH
8	119-4870	4	O-Ring
9	119-4871	4	Washer
10	121-5053	1	Valve (W/Bypass)
10:1	119-9397	1	Motor Valve Cover ASM
10:2	119-4862	1	Fork
10:3	121-5054	1	Piston ASM
10:3:1	121-5057	2	O-Ring-Piston
10:4	121-5056	1	Spring-Piston
10:5	119-4868	1	O-Ring
11	125-0691	1	Hosebarb-Elbow
12	125-0692	1	Connector-Flange
13	125-0993	1	Valve (W/O Bypass)
14	125-4000	1	Fork
15	125-4117	1	O-Ring
16	33024-00	4	Nut-Lock, NI



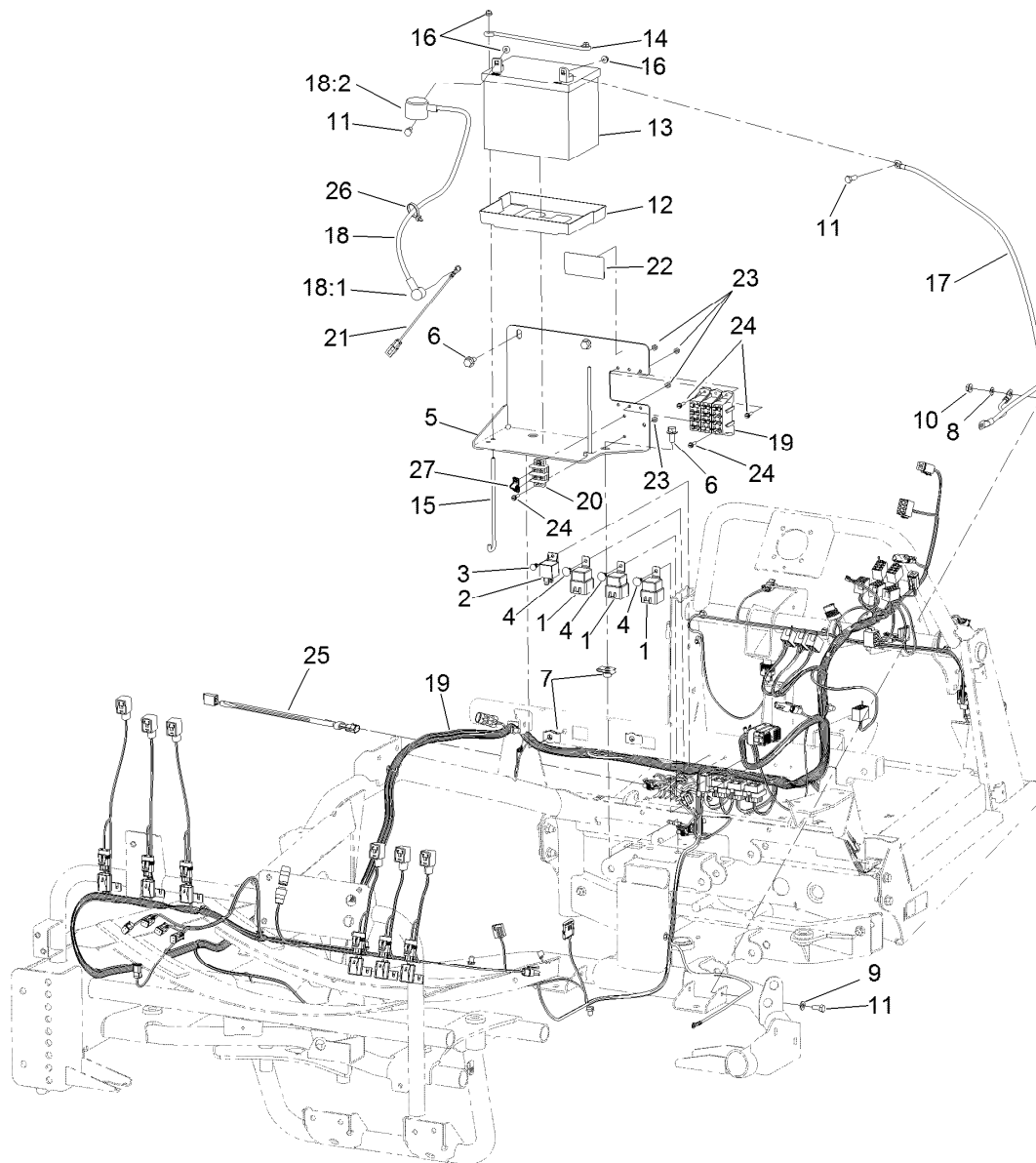
Hose Assembly

Ref.	Part Number	Qty.	Description	Ref.	Part Number	Qty.	Description
1	121-6539	1	Main Supply Hose ASM	3:3	125-0666	1	Hose-Supply
1:1	106-4932	1	Hosebarb-Straight	5	125-0600	1	Agitation Bypass Hose ASM
1:1:1	100-8637	1	O-Ring	5:2	106-4932	1	Hosebarb-Straight
1:2	106-4933	1	Hosebarb ASM	5:2:1	100-8637	1	O-Ring
1:2:1	100-8637	1	O-Ring	5:3	120-8686	1	Hosebarb-Straight
1:3	2412-34	2	Clamp-Hose	5:4	2412-34	2	Clamp-Hose
1:4	125-0660	1	Hose-Supply, Main	5:5	127-3978	1	Sleeve-Heatshrink
2	121-6541	1	Agitation Hose ASM	6	125-0601	1	Regulating Hose ASM
2:1	117-7978	3	Hosebarb ASM	6:1	106-4933	1	Hosebarb ASM
2:1:2	100-8637	1	O-Ring	6:1:1	100-8637	1	O-Ring
2:2	125-0665	3	Nozzle-Hose, Agitation	6:2	106-4932	1	Hosebarb-Straight
2:3	117-7867	1	Elbow-Hosebarb	6:2:1	100-8637	1	O-Ring
2:4	117-7866	2	Tee-Hosebarb	6:3	119-0473	1	Hose-Supply
2:5	125-0664	2	Tee-Hose, Agitation	6:4	2412-34	2	Clamp-Hose
2:6	119-0445	1	Hose-Supply, Main	7	125-0602	1	Boom Bypass Hose ASM
2:7	117-7853	3	Bushing-Nozzle	7:1	106-4933	1	Hosebarb ASM
2:8	2412-34	11	Clamp-Hose	7:1:1	100-8637	1	O-Ring
3	121-6540	1	Supply Hose ASM	7:2	2412-34	1	Clamp-Hose
3:1	106-4933	1	Hosebarb ASM	7:3	125-0660	1	Hose-Supply, Main
3:1:1	100-8637	1	O-Ring	8	125-0603	1	Top Suction Hose ASM
3:2	2412-34	1	Clamp-Hose	8:1	106-4952	1	Hosebarb-90 DEG



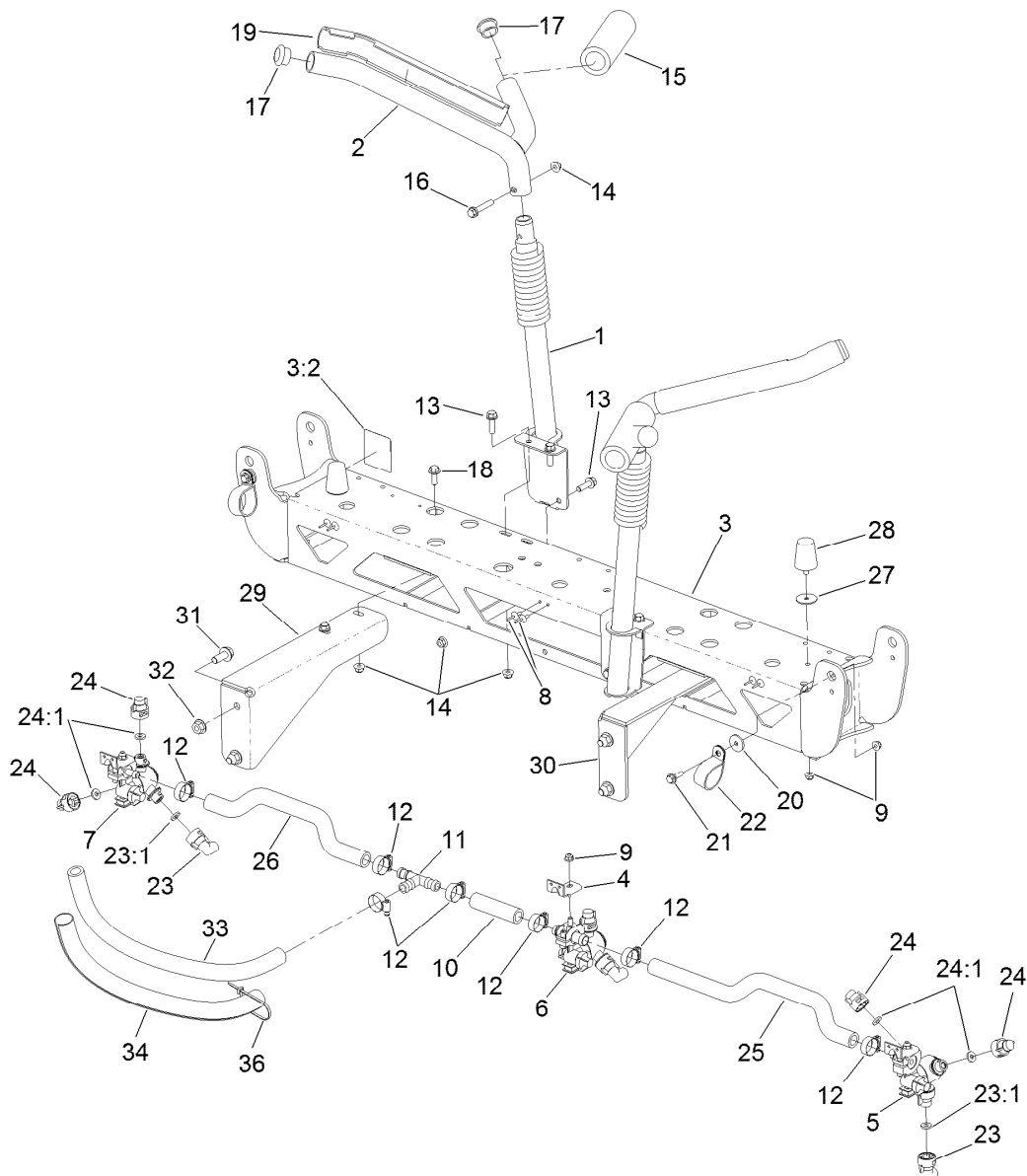
Hose Assembly (continued)

Ref.	Part Number	Qty.	Description	Ref.	Part Number	Qty.	Description
8:1:1	100-6989	1	O-Ring	9:1	106-4933	1	Hosebarb ASM
8:2	117-7982	1	Hosebarb ASM	9:1:1	100-8637	1	O-Ring
8:2:2	100-8637	1	O-Ring	9:2	125-0657	1	Hose-Drain
8:3	41327	2	Clamp-Hose	9:3	2412-34	1	Clamp-Hose
8:4	125-0670	1	Hose-Suction, Upper	10	119-0443	1	Hose-Agitation
9	125-0647	2	Drain Hose ASM				



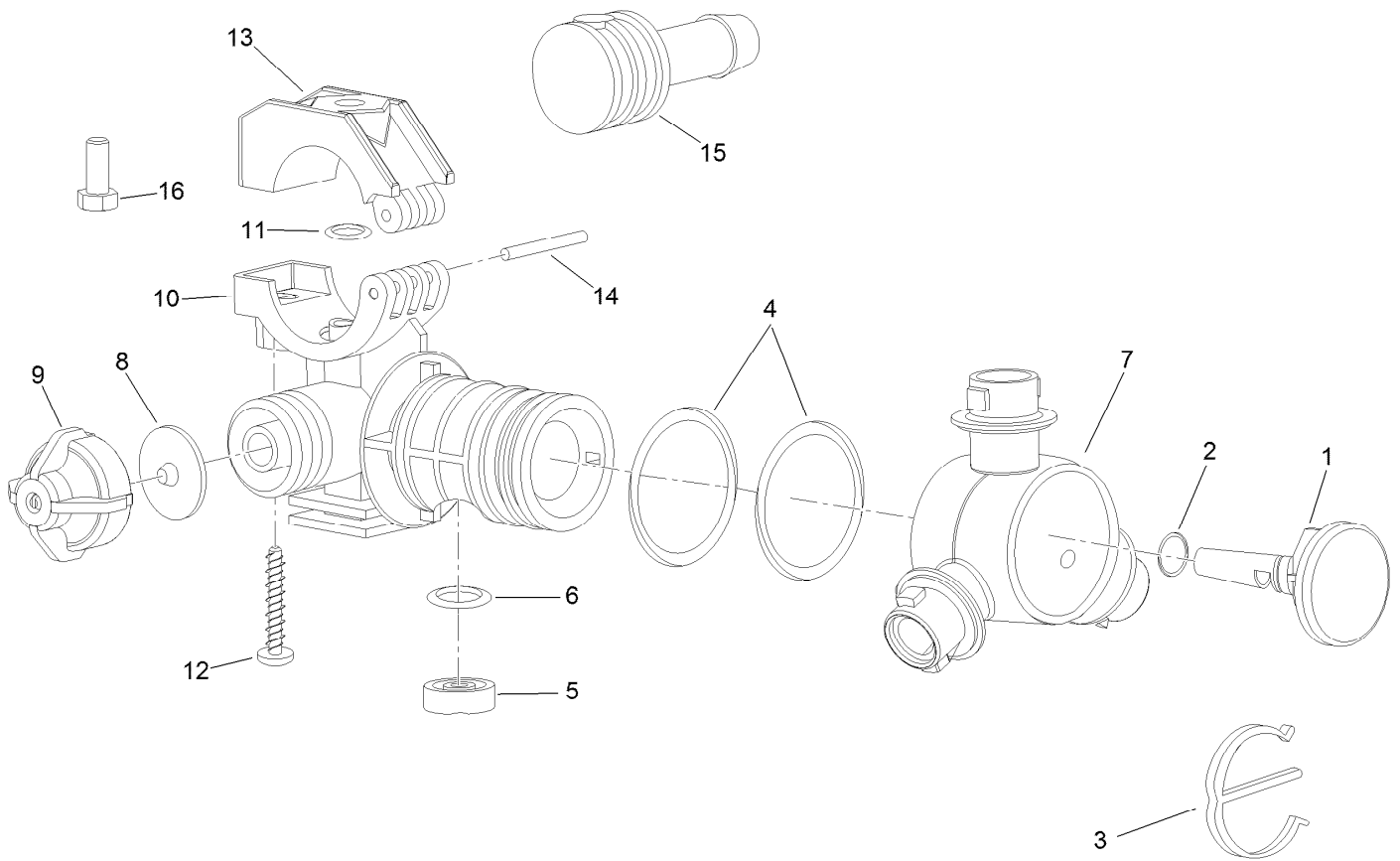
Main Wiring Harness and battery Assembly

<i>Ref.</i>	<i>Part Number</i>	<i>Qty.</i>	<i>Description</i>	<i>Ref.</i>	<i>Part Number</i>	<i>Qty.</i>	<i>Description</i>
1	99-7430	3	Relay	16	119-6897	4	Nut-Flange, Hex
2	99-7435	1	Relay-Power	17	122-0137	1	Cable-Battery, Negative
3	125-8067	1	Plug-Plastic	18	109-7621	1	Positive Battery Cable ASM
4	117-2382	3	Plug-Plastic	18:1	1-543393	1	Insulator-Solenoid
5	125-0908-03	1	Base-Battery	18:2	109-2407	1	Insulator-Battery
6	3234-1	2	Screw-HHF	19	121-6568	1	Harness-Wire
7	105-4886	2	Nut-Tinnerman	20	42862	1	Block-Terminal, Ground
8	3255-8	1	Washer-Lock	21	108-9455	1	Harness-Wire, Fusible Link
9	3256-23	1	Washer-Plain	22	127-3942	1	Decal-Fuse Block
10	32128-25	1	Nut-HF	23	3296-2	5	Nut-Lock, NI
11	322-3	3	Screw-HH	24	32105-13	5	Screw-HWH
12	106948	1	Tray-Battery	25	108-8657	1	Harness-Wire, Seat
13	104-8162	1	Battery-Dry	26	3290-379	1	Tie-Cable
14	100-6434	1	Rod-Hold Down, Battery	27	42863	1	Strip-Jumper
15	100-6435	2	Post-Battery				



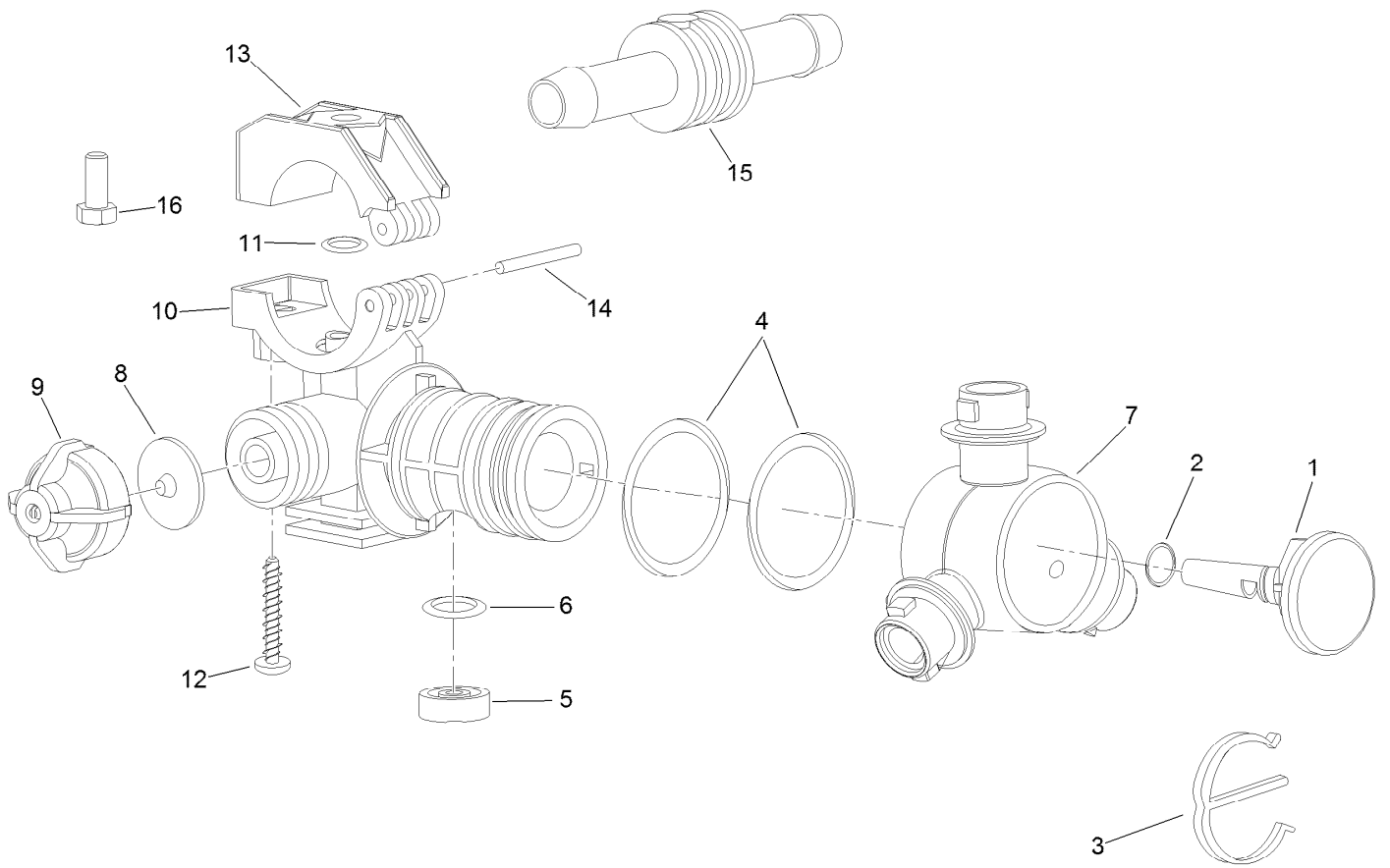
Center Boom Mount Assembly

Ref.	Part Number	Qty.	Description	Ref.	Part Number	Qty.	Description
1	108-3472-03	2	Cradle-Lower	19	108-3495	2	Cover-Slide
2	108-3476-03	2	Cradle-Upper	20	108-3743	2	Washer
3	121-5094	1	Frame ASM	21	108-3744	2	Screw-Shoulder
3:2	120-0617	2	Decal-Warning, Pinch, Crush	22	114-9566	2	Clamp-R
4	107-8775	3	Bracket-Mount, Nozzle	23	95-9186	3	Cap
5	108-3725	1	LH Single Body Turret ASM	23:1	40998	1	Seat-Gasket
6	108-3727	1	Double Turret Body ASM	24	95-9187	6	Cap-Blank
7	108-3726	1	RH Single Body Turret ASM	24:1	40998	1	Seat-Gasket
8	3269-18	6	Rivet-Blind	25	108-3735	1	Hose-Boom, Center (LH)
9	104-8300	7	Nut-HF, NI	26	108-3718	1	Hose-Boom, Center (RH)
10	108-3717	1	Hose-Boom	27	3256-68	2	Washer-Flat
11	108-3439	1	Tee	28	110-5070	2	Bumper
12	2412-129	7	Clamp-Hose	29	121-6488-03	1	Bracket-Boom Mount, RH
13	110-5050	4	Screw-HHF	30	121-6489-03	1	Bracket-Boom Mount, LH
14	104-8301	12	Nut-HF, NI	31	110-5057	4	Capscrew-HHF
15	108-3457	2	Spacer	32	108-3745	4	Nut-HHF, Whiz
16	108-3742	2	Screw-HHF	33	108-3731	1	Hose-Center Boom, LH
17	108-3489	4	Cap-Tube	34	127-3923	1	Conduit-Convolutd
18	110-5052	6	Screw-HHF	36	3290-378	2	Tie-Cable



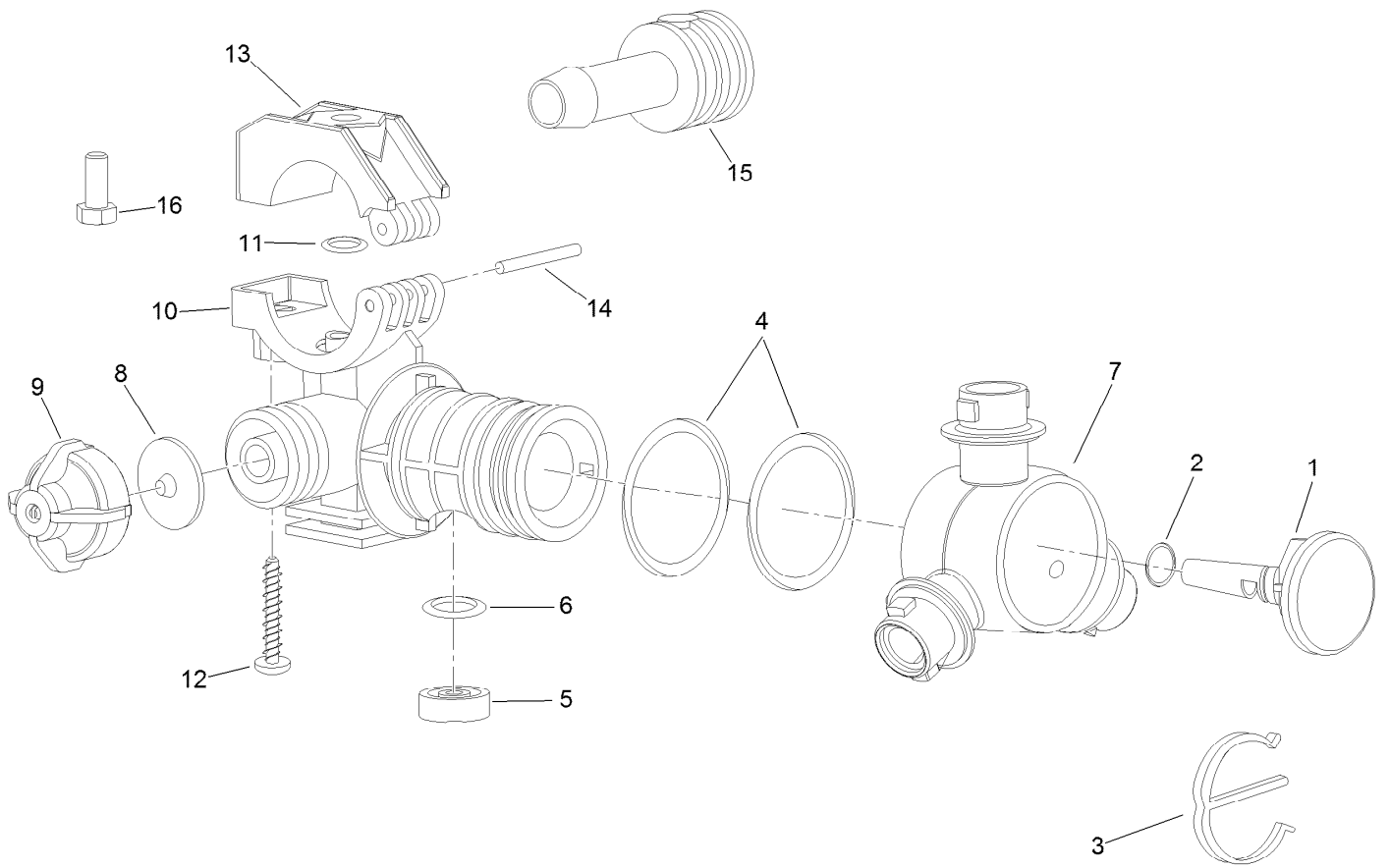
LH Single Turret Body Assembly No. 108-3725

<i>Ref.</i>	<i>Part Number</i>	<i>Qty.</i>	<i>Description</i>	<i>Ref.</i>	<i>Part Number</i>	<i>Qty.</i>	<i>Description</i>
1	95-9200	1	Plug	9	95-9193	1	Cap-Diaphragm
2	95-9198	1	O-Ring	10	95-9192	1	Body-Split Eyelet
3	95-9197	1	E-Clip	11	95-9191	1	O-Ring
4	95-9199	2	O-Ring	12	99-0811	1	Screw-Clamp
5	108-3264	1	Seal-Viton	13	99-0812	1	Clamp-Upper
6	108-3265	1	O-Ring-Viton	14	99-0814	1	Pin-Pivot
7	95-9196	1	Turret	15	95-9201	1	Shank-Hose
8	41003	1	Diaphragm	16	322-3	1	Screw-HH



Double Turret Body Assembly No. 108-3727

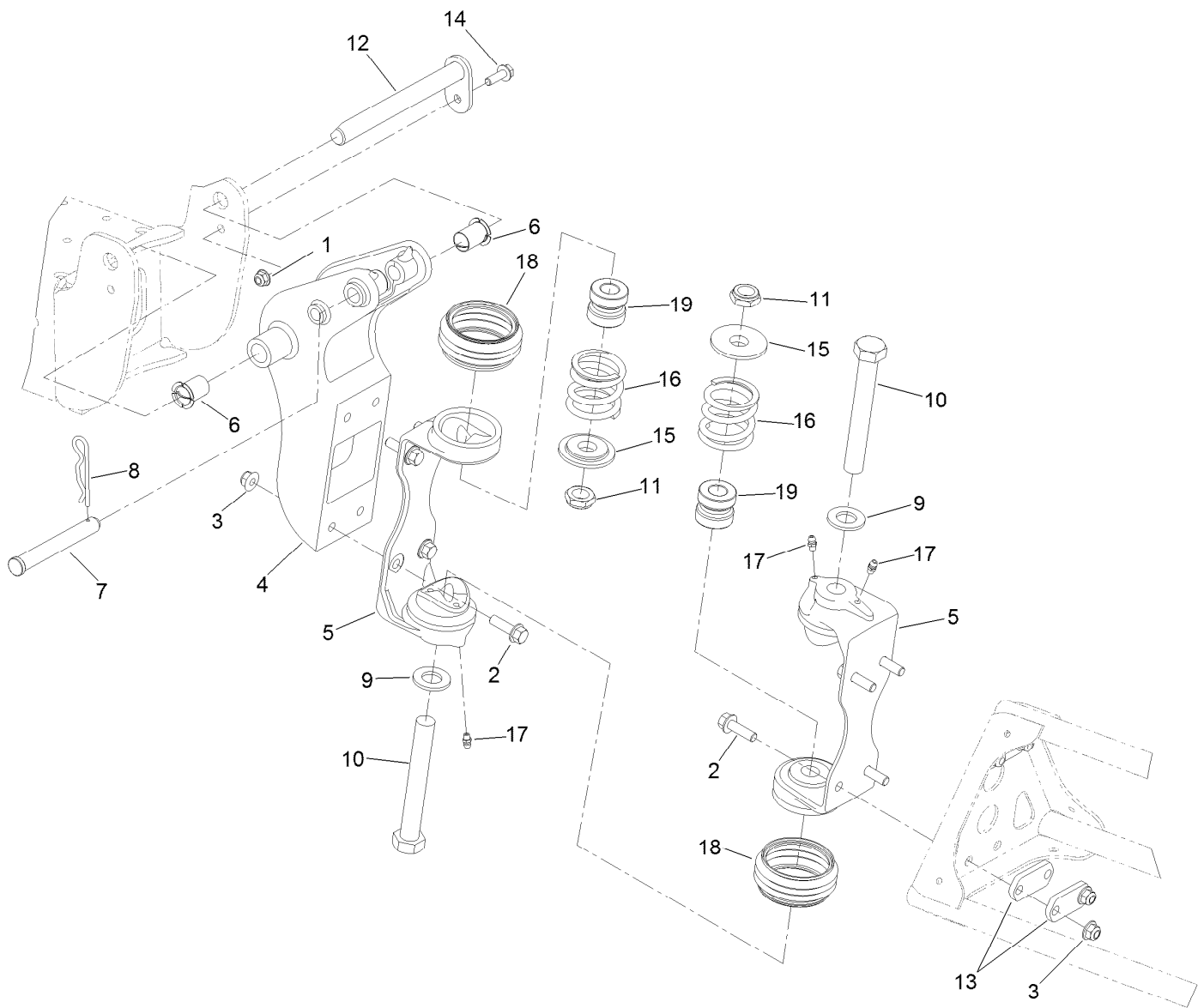
<i>Ref.</i>	<i>Part Number</i>	<i>Qty.</i>	<i>Description</i>	<i>Ref.</i>	<i>Part Number</i>	<i>Qty.</i>	<i>Description</i>
1	95-9200	1	Plug	9	95-9193	1	Cap-Diaphragm
2	95-9198	1	O-Ring	10	95-9192	1	Body-Split Eyelet
3	95-9197	1	E-Clip	11	95-9191	1	O-Ring
4	95-9199	2	O-Ring	12	99-0811	1	Screw-Clamp
5	108-3264	1	Seal-Viton	13	99-0812	1	Clamp-Upper
6	108-3265	1	O-Ring-Viton	14	99-0814	1	Pin-Pivot
7	95-9196	1	Turret	15	95-9202	1	Shank-Hose
8	41003	1	Diaphragm	16	322-3	1	Screw-HH



RH Single Body Turret Assembly No. 108-3726

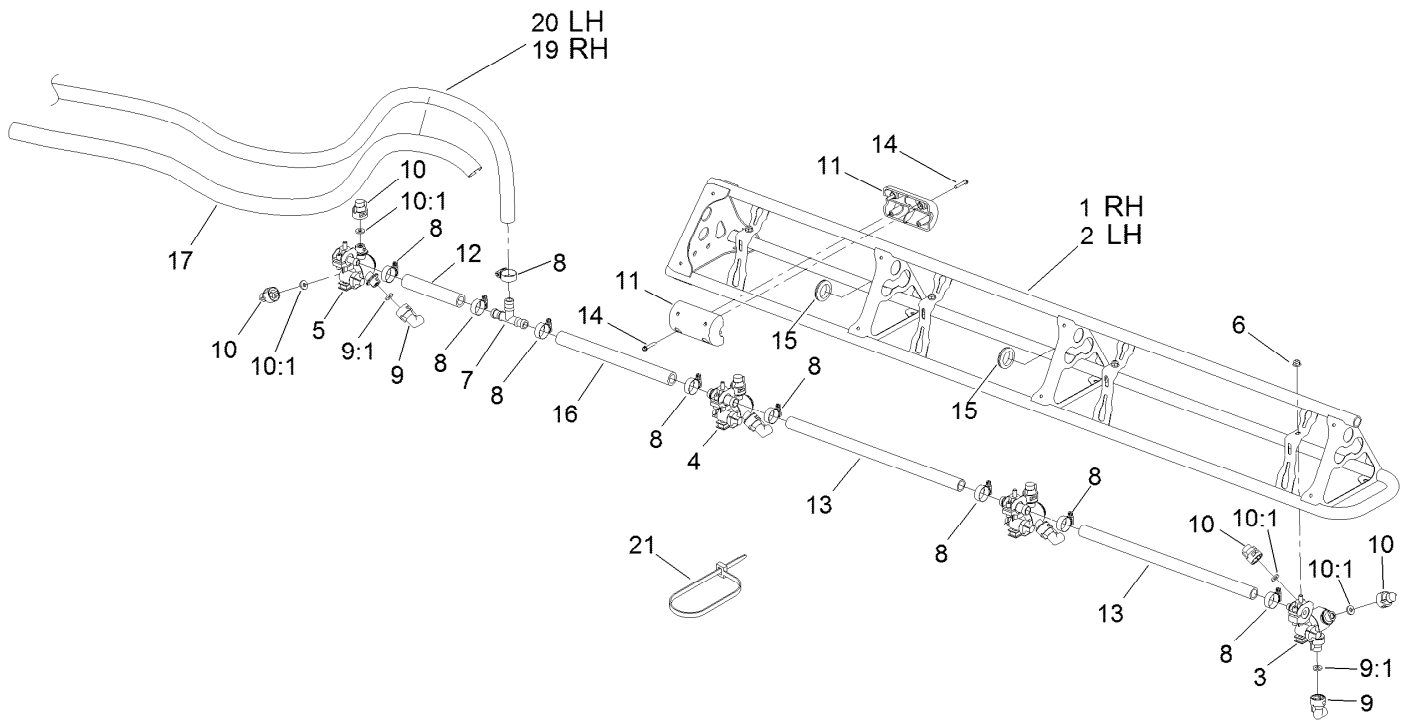
<i>Ref.</i>	<i>Part Number</i>	<i>Qty.</i>	<i>Description</i>
1	95-9200	1	Plug
2	95-9198	1	O-Ring
3	95-9197	1	E-Clip
4	95-9199	2	O-Ring
5	108-3264	1	Seal-Viton
6	108-3265	1	O-Ring-Viton
7	95-9196	1	Turret
8	41003	1	Diaphragm

<i>Ref.</i>	<i>Part Number</i>	<i>Qty.</i>	<i>Description</i>
9	95-9193	1	Cap-Diaphragm
10	95-9192	1	Body-Split Eyelet
11	95-9191	1	O-Ring
12	99-0811	1	Screw-Clamp
13	99-0812	1	Clamp-Upper
14	99-0814	1	Pin-Pivot
15	95-9201	1	Shank-Hose
16	322-3	1	Screw-HH



Boom Pivot Assembly

Ref.	Part Number	Qty.	Description	Ref.	Part Number	Qty.	Description
1	104-8300	2	Nut-HF, NI	11	3296-15	4	Nut-Lock, NI
2	110-5050	16	Screw-HHF	12	108-3419	2	Pivot Pin ASM
3	104-8301	16	Nut-HF, NI	13	108-3605	8	Plate-Backing
4	119-4993-03	2	Bracket-Pivot	14	108-3748	2	Screw-HHF
5	108-3471-03	4	Hinge	15	108-3444	4	Retainer-Spring
6	100-8541	4	Bushing-A Arm	16	108-3440	4	Spring-Breakaway, Boom
7	108-3436	2	Pin-Clevis	17	302-5	8	Fitting-Grease
8	3290-468	2	Pin-Cotter	18	108-3459	4	Boot-Hinge
9	110-5054	4	Washer-Flat	19	120-8541	4	Dampener-Hinge
10	108-3738	4	Screw-HH				



Left and Right Hand Boom Assembly

Ref.	Part Number	Qty.	Description	Ref.	Part Number	Qty.	Description
1	108-3524-03	1	Boom-RH	10:1	40998	1	Seat-Gasket
2	108-3525-03	1	Boom-LH	11	119-9368	4	Block Slide
3	108-3725	2	LH Single Body Turret ASM	12	108-3728	2	Hose-Boom
4	108-3727	4	Double Turret Body ASM	13	40506	4	Hose-Jumper
5	108-3726	2	RH Single Body Turret ASM	14	119-9369	8	Screw-HHF
6	104-8300	8	Nut-HF, NI	15	240-3	4	Grommet-Rubber
7	108-3439	2	Tee	16	108-3721	2	Hose-Boom
8	2412-129	18	Clamp-Hose	17	107-8650	2	Conduit-Convolved
9	95-9186	8	Cap	19	125-8070	1	Hose-Boom
9:1	40998	1	Seat-Gasket	20	125-8071	1	Hose-Boom
10	95-9187	16	Cap-Blank	21	3290-378	6	Tie-Cable

Attachments and Accessories

For 41188 Multi Pro 1750 Turf Sprayer

Product Name	Model/Part
Premium ATF (Drum).....	108-1185
Premium ATF (Pail)	108-1186
Premium All Purpose Grease (Tube)	108-1190
License Plate Kit.....	120-8506
Covered Boom Spring Upgrade Kit.....	120-8508
Premium Engine Oil 10w30 (55 Gal).....	121-6392
Premium Engine Oil 10w30 (5 Gallon Pail)	121-6393
Foam Marker Finishing Kit.....	125-8120
Lance Suction Assembly	127-9826
Sonic Boom Finish Kit.....	130-8227
Universal Sunshade	30349
Single Nozzle Kit.....	41023
Hand Spray Wand Kit	41131
Pro Foam Concentrate (4 x 1 Gallon)	41157
CE Kit	41202
Rear Work Light Kit.....	41206
Tank Clean Rinse Kit	41208
EU Compliance Kit.....	41209
Chemical Pre-Mix Kit	41210
Electric Hose Reel Kit	41211
Ultra Sonic Boom Leveling Kit	41219
Foam Marker Kit	41232
Road Light and Homologation Kit	41250
Drift Reduction Boom Shroud Kit.....	41602
Pro-Foam.....	41607
Spark Arrestor Screen	94-8157

Notes:



Count on it.