

# Slow Moving Vehicle Kit

## Diesel Models

### Kit No. 135-2891

## Installation Instructions

### Loose Parts

Use the chart below to verify that all parts have been shipped.

Item No.	Part No.	Description	Qty
1	135-2853-03	Bracket-Mount	1
2	92-7760	Emblem-Slow Moving Vehicle	1
3	3229-11	Bolt-Carriage 1/4-20 x 5/8	2

Item No.	Part No.	Description	Qty
4	104-7201	Nut-Nyloc 1/4-20 Flg	5
5	321-4	Screw-HH 1/4-20 x 3/4	3

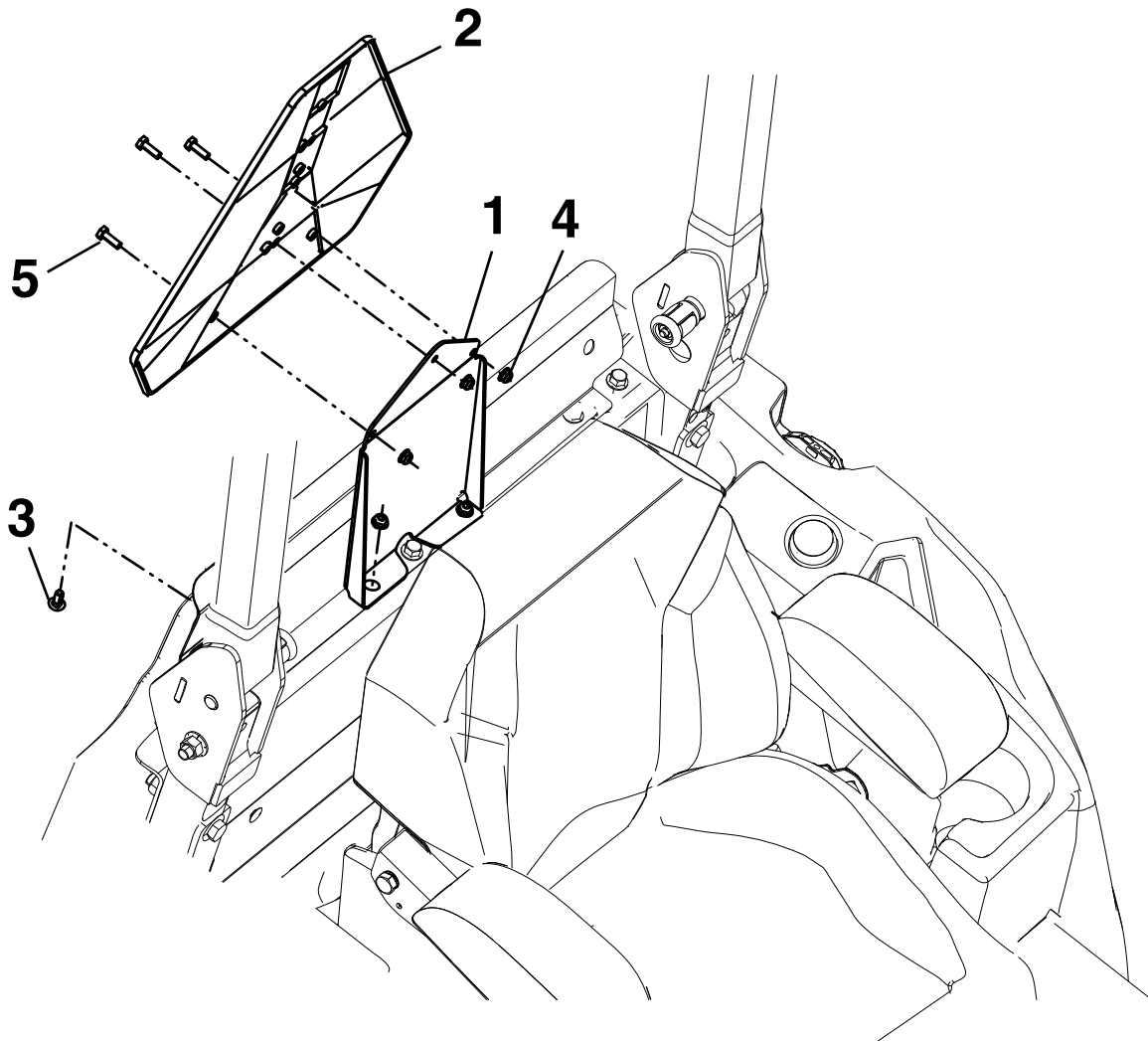


Figure 1

g250037



# Safety Alert Symbol

This Safety Alert Symbol (Figure 2) is used both in this instruction sheet and on the machine to identify important safety messages which must be followed to avoid accidents

This symbol means: **ATTENTION! BECOME ALERT! YOUR SAFETY IS INVOLVED!**



**Figure 2**  
Safety Alert Symbol

g000502

The safety alert symbol appears above information which alerts you to unsafe actions or situations and will be followed by the word **DANGER**, **WARNING**, or **CAUTION**.

**DANGER:** Indicates an imminently hazardous situation which, if not avoided, **Will** result in death or serious injury.

**WARNING:** Indicates a potentially hazardous situation which, if not avoided, **Could** result in death or serious injury.

**CAUTION:** Indicates a potentially hazardous situation which, if not avoided, **May** result in minor or moderate injury.

This manual uses two other words to highlight information. **Important** calls attention to special mechanical information and **Note** emphasizes general information worthy of special attention.

## **⚠ WARNING**

**While maintenance or adjustments are being made, someone could start the engine. Accidental starting of the engine could seriously injure you or other bystanders.**

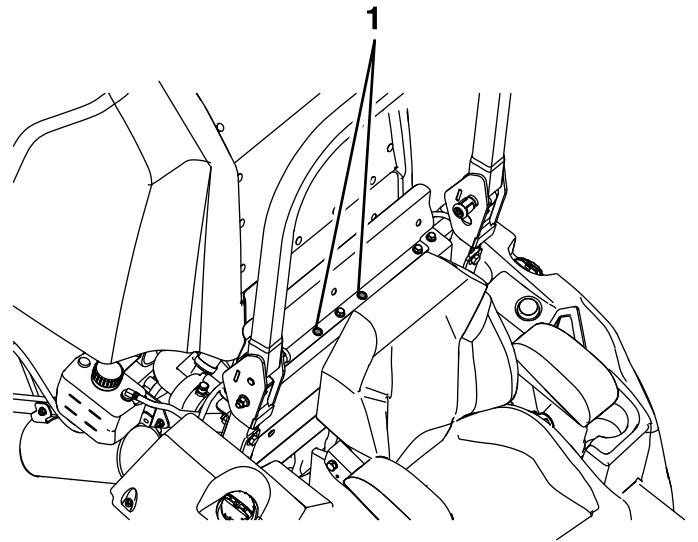
**Remove the key from the ignition switch and engage parking brake before you do any maintenance.**

**Note:** Determine the left and right sides of the machine from the normal operating position.

**Note:** Park the unit on a level surface. Make sure all moving parts have stopped, parking brake is engaged, and the key has been removed. Allow the machine to cool before starting these instructions.

## Installation Instructions

1. Open the hood and remove the two plastic plugs located behind the seat as shown in Figure 3.

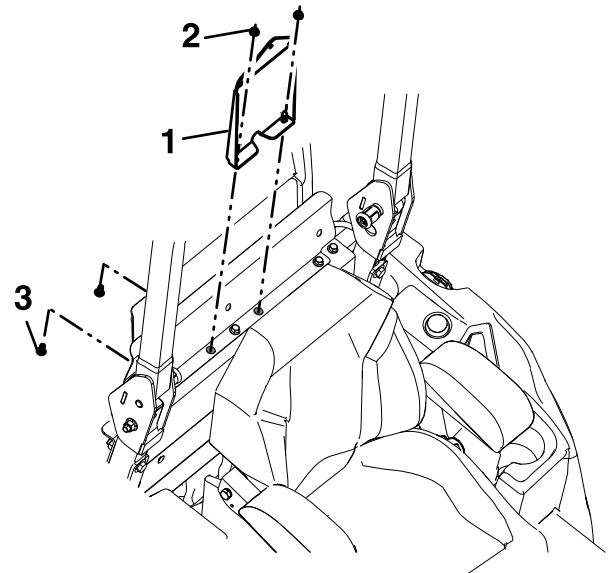


g250006

**Figure 3**

1. Plastic plug

2. Install the mount bracket using two 1/4–20 x 5/8 inch carriage bolts and two 1/4 inch nyloc nuts into the holes where the plastic plugs were removed in step 1 (reference Figure 4).



g250021

**Figure 4**

Hood removed for clarity

1. Mount bracket
2. 1/4 inch nyloc nut
3. 1/4–20 x 5/8 inch carriage bolts

3. Close the hood.
4. Install the safety emblem using three 1/4–20 x 3/4 inch hex screws and three 1/4 inch nyloc nuts as shown in Figure 1.