



Count on it.

Parts Catalog

Super Blower/Vacuum

Model No. 51618—Serial No. 317181181 and Up



Ordering Replacement Parts

To order replacement parts, please supply the part number, the quantity, and the description of each part desired.

Understanding Reference Numbers

Each identified part in an illustration has a reference number. The reference number for a part also appears in the parts list, along with other information about the part.

This catalog uses two special reference number formats, one to indicate parts in a service assembly and another to indicate the quantity of a given part in an illustration.

Service Assembly Reference Numbers

Parts in service assemblies have reference numbers in the form a:b. The a represents the reference number of the entire service assembly and the b represents a sequential number unique to each part within the service assembly.

For example, a wheel assembly might be identified by reference number 6, the tire by 6:1, the valve by 6:2, and the wheel by 6:3. When you order the assembly identified by reference number 6, you receive all parts identified by reference numbers 6:1, 6:2, and 6:3. However, you may also order any part individually. Reference numbers of this type appear in illustration and in parts lists.

Reference Numbers Indicating Quantity

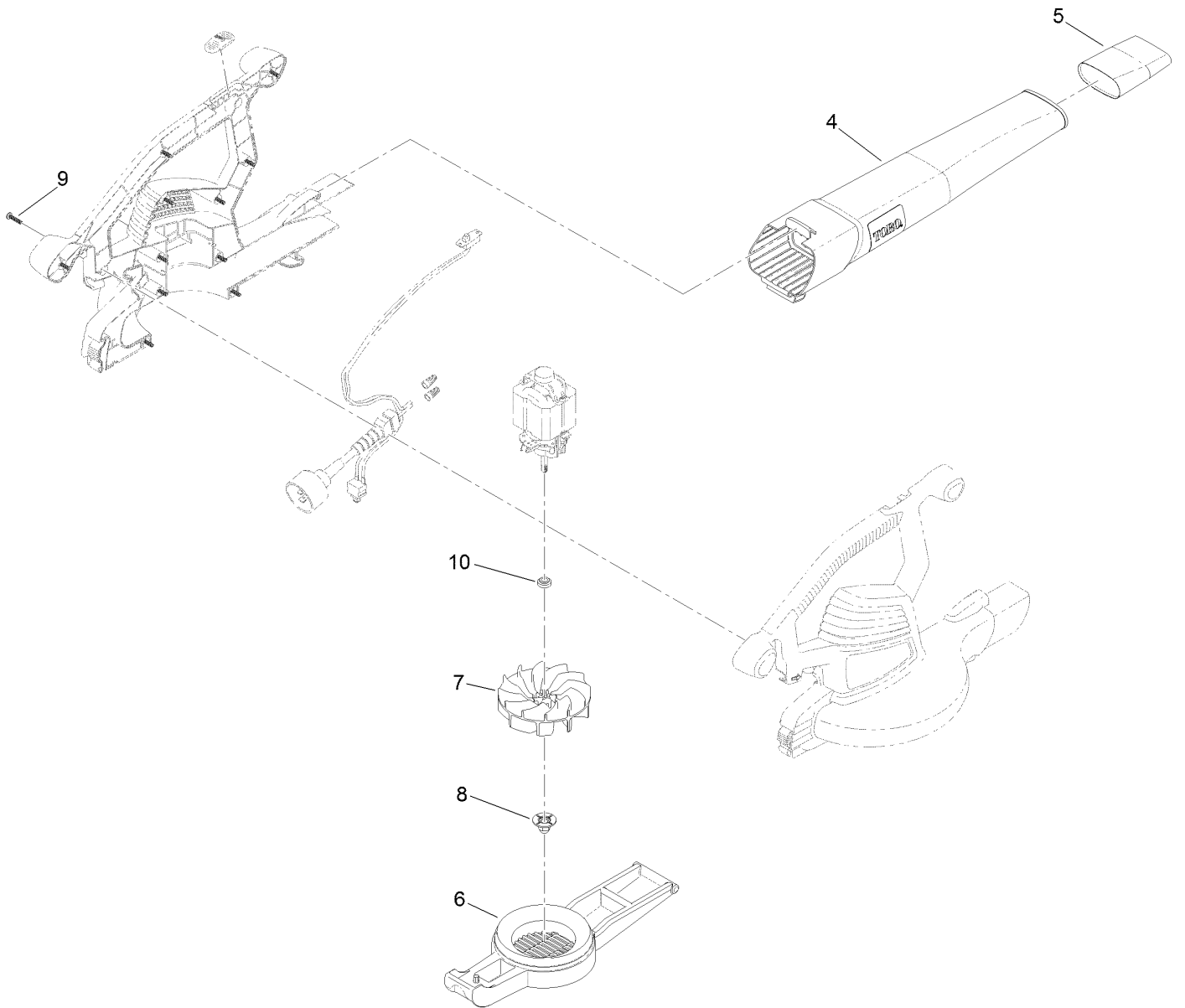
In an illustration, if a reference number indicates more than one part, the reference number has the form nX y. The n represents the quantity of the part, the X is the multiplication symbol, and the y represents the reference number.

For example, in an illustration, the reference number 2X 37 means that two of the parts identified by reference number 37 are indicated.

Contents

Blower Tube and Impeller Assembly 4
Bag and Tube Assembly 6

Blower Tube and Impeller Assembly

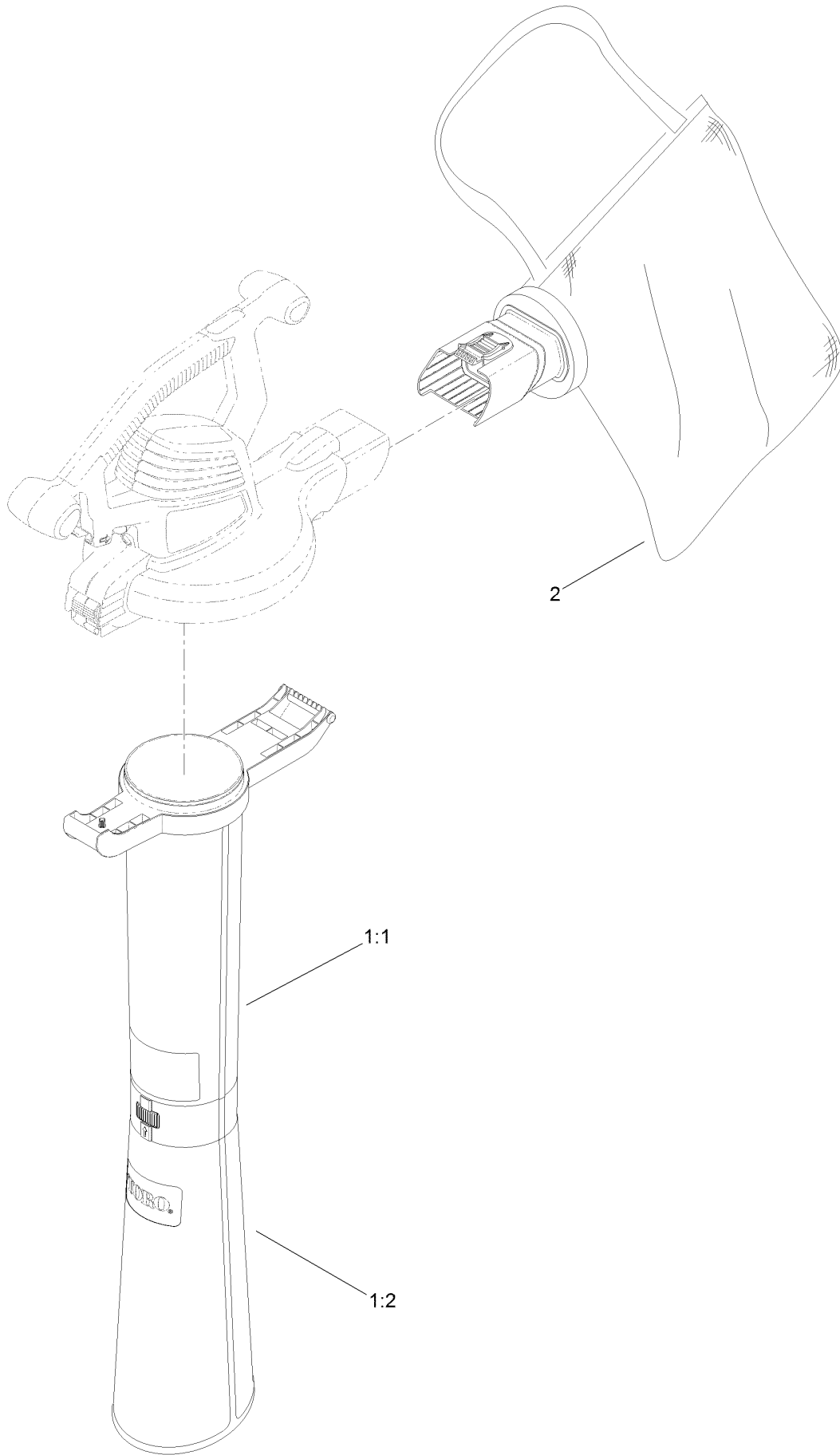


Blower Tube and Impeller Assembly (continued)

<i>Ref.</i>	<i>Part Number</i>	<i>Qty.</i>	<i>Description</i>
4	125-0473	1	Tube-Blower
5	119-9762	1	Tube-Insert, Super
6	108-8965	1	Cover-Inlet
7	125-0494	1	Impeller

<i>Ref.</i>	<i>Part Number</i>	<i>Qty.</i>	<i>Description</i>
8	114-9015	1	Nut-Impeller
9	94-4496	13	Screw-PPH
10	127-7078	1	Bushing-Motor

Bag and Tube Assembly



Bag and Tube Assembly (continued)

<i>Ref.</i>	<i>Part Number</i>	<i>Qty.</i>	<i>Description</i>
1:1	108-8969	1	Tube-Vacuum, Upper
1:2	108-8970	1	Tube-Vacuum, Lower
2	125-0526	1	Bag ASM



Count on it.