



Hover Pro® Operating Angles

Product: Hover Pro

7/27/2017

Models:	Serial Number:
02600	31200001 - 314999999
02601	31200001 - 312999999
02602	31200001 - 315999999
02603	31200001 - 314999999
02604	31200001 - 499999999
02605	31200001 - 312999999
02606	31200001 - 499999999
02609	31300001 - 314999999
02610	31400001 - 499999999
02611	31300001 - 499999999
02612	31500001 - 499999999
02615	31400001 - 499999999

Situation:

Hover Pro units used beyond operating angles greater than 25° for the models 02600 / 02615 and greater than 45° for models 02601, 02602, 02603, 02604, 02605, 02606, 02609, 02610, 02611, and 02612 will cause severe engine damage due to a lack of oil lubrication. Potential non-warrantable damage could include seized valves, scored pistons and burned crank bearings.

Instructions:

Do not use these units beyond the recommended operating angles mentioned in the above paragraph. Before operating on any slope, a site survey must be completed to determine appropriate areas of operation.

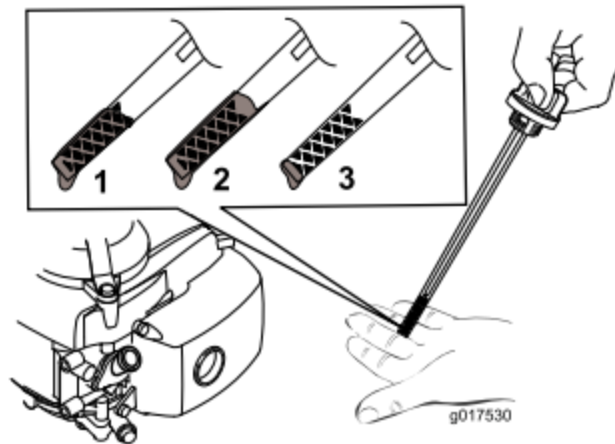
Read, understand and follow the instructions listed below. Always check Engine-Oil level before each use or daily.

Please contact your local Toro Commercial Products Distributor for more information on this issue and if you need assistance in performing a site survey for slope angles. Reference Service Bulletin Rotaries 04-04, "Hover Pro Operating Angles" when making your inquiry.

Proper oil level checking and adding of oil

Service Interval: Before each use or daily

1. Move the machine to a level surface.
2. Remove the dipstick and wipe it with a clean cloth.
3. Insert, **but do not screw in**, the dipstick into the oil fill hole.
4. Remove the dipstick and check it.

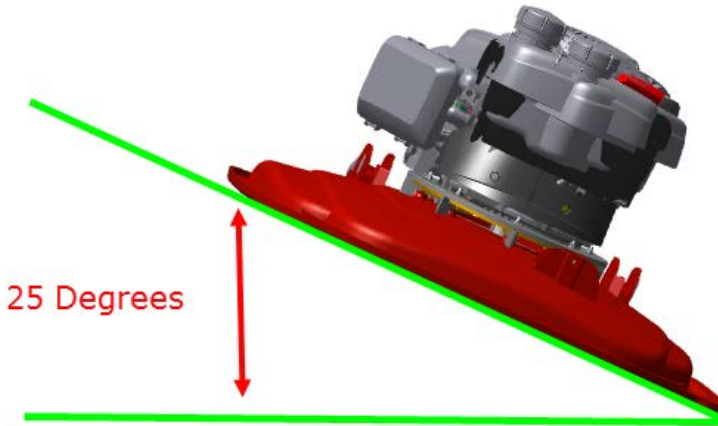


1. The oil level is at its maximum.
2. The oil level is too high—remove oil from the crankcase.
3. The oil level is too low—add oil to the crankcase.

If the oil level is low, **slowly** pour oil into the oil fill hole, wait 3 minutes, and check the oil level on the dipstick by wiping the dipstick clean and then inserting, **but not screwing in**, the oil fill cap into the hole.

Maximum Operating Angles

Models 02600 / 02615



Models

02601 / 02602 / 02603 / 02604 / 02605 / 02606 / 02609 / 02610 / 02611 / 02612

