



Count on it.

Parts Catalog

Pro Force® Debris Blower

Model No. 44554—Serial No. 315000001 and Up



Ordering Replacement Parts

To order replacement parts, please supply the part number, the quantity, and the description of each part desired.

Understanding Reference Numbers

Each identified part in an illustration has a reference number. The reference number for a part also appears in the parts list, along with other information about the part.

This catalog uses two special reference number formats, one to indicate parts in a service assembly and another to indicate the quantity of a given part in an illustration.

Service Assembly Reference Numbers

Parts in service assemblies have reference numbers in the form a:b. The a represents the reference number of the entire service assembly and the b represents a sequential number unique to each part within the service assembly.

For example, a wheel assembly might be identified by reference number 6, the tire by 6:1, the valve by 6:2, and the wheel by 6:3. When you order the assembly identified by reference number 6, you receive all parts identified by reference numbers 6:1, 6:2, and 6:3. However, you may also order any part individually. Reference numbers of this type appear in illustration and in parts lists.

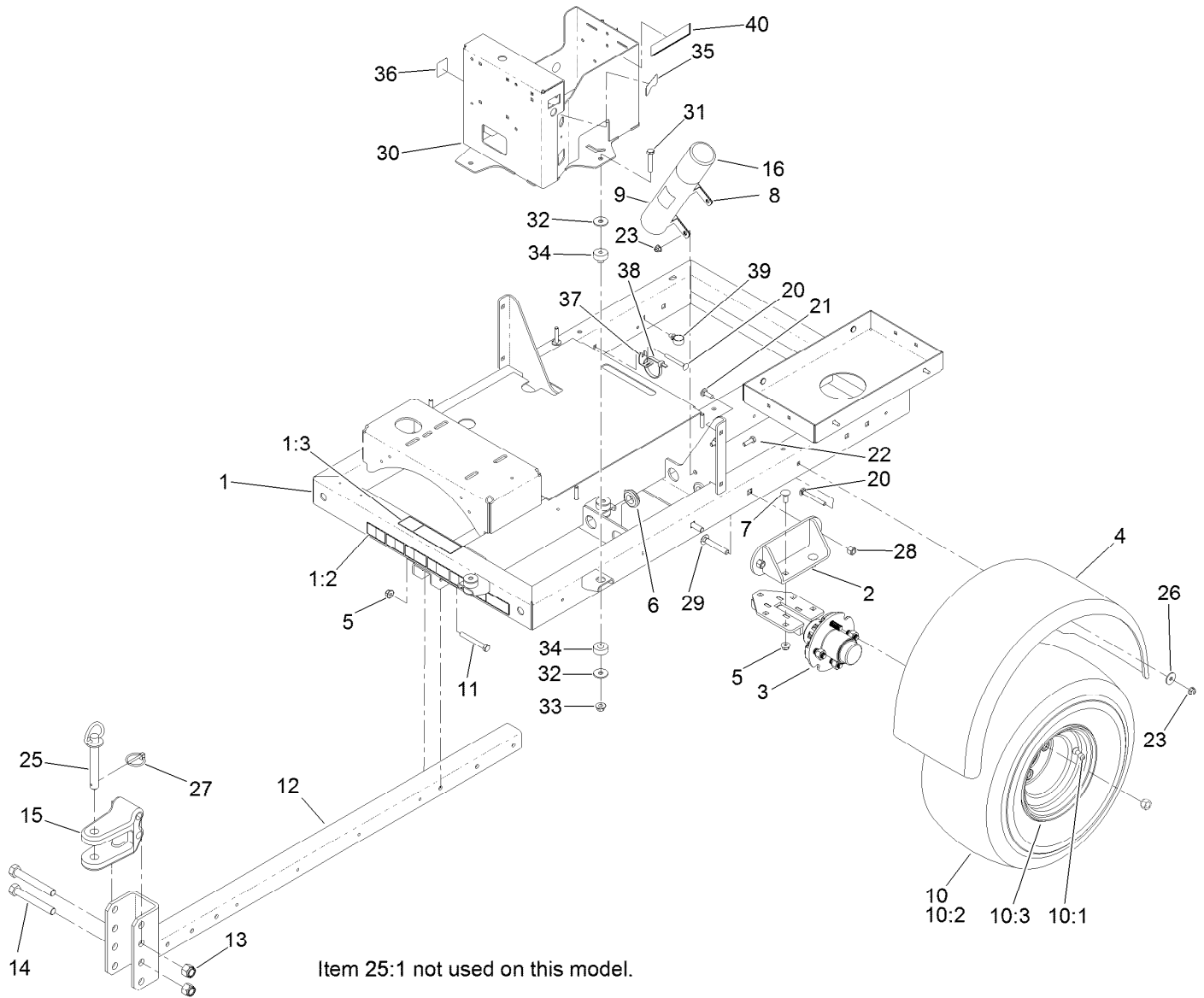
Reference Numbers Indicating Quantity

In an illustration, if a reference number indicates more than one part, the reference number has the form nX y. The n represents the quantity of the part, the X is the multiplication symbol, and the y represents the reference number.

For example, in an illustration, the reference number 2X 37 means that two of the parts identified by reference number 37 are indicated.

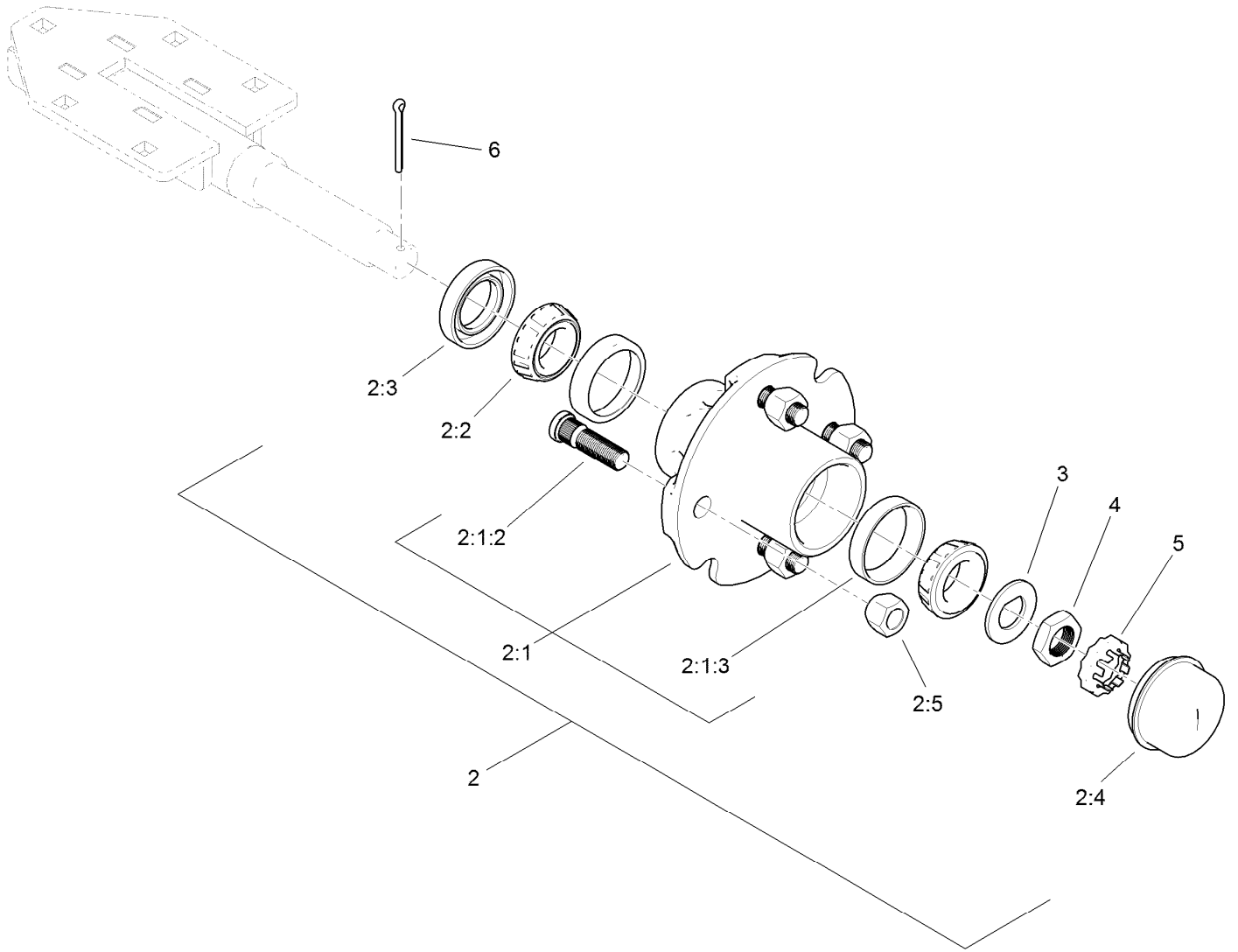
Contents

| | |
|--|----|
| Frame, Wheel, Axle and Hitch Assembly | 4 |
| Hub and Axle Assembly No. 117-8255 | 5 |
| Turbine Mounting Assembly | 6 |
| Turbine Assembly No. 125-4260 | 7 |
| Nozzle Drive Assembly | 8 |
| Battery and Drive Shaft Assembly | 9 |
| Engine, Muffler and Fuel Tank Assembly | 10 |
| Fuel Tank Assembly No. 115-9048 | 11 |
| Fuel Delivery Assembly | 12 |
| Electrical Assembly | 13 |
| Tethered Control Assembly No. 119-6341 | 14 |
| Attachments and Accessories | 15 |



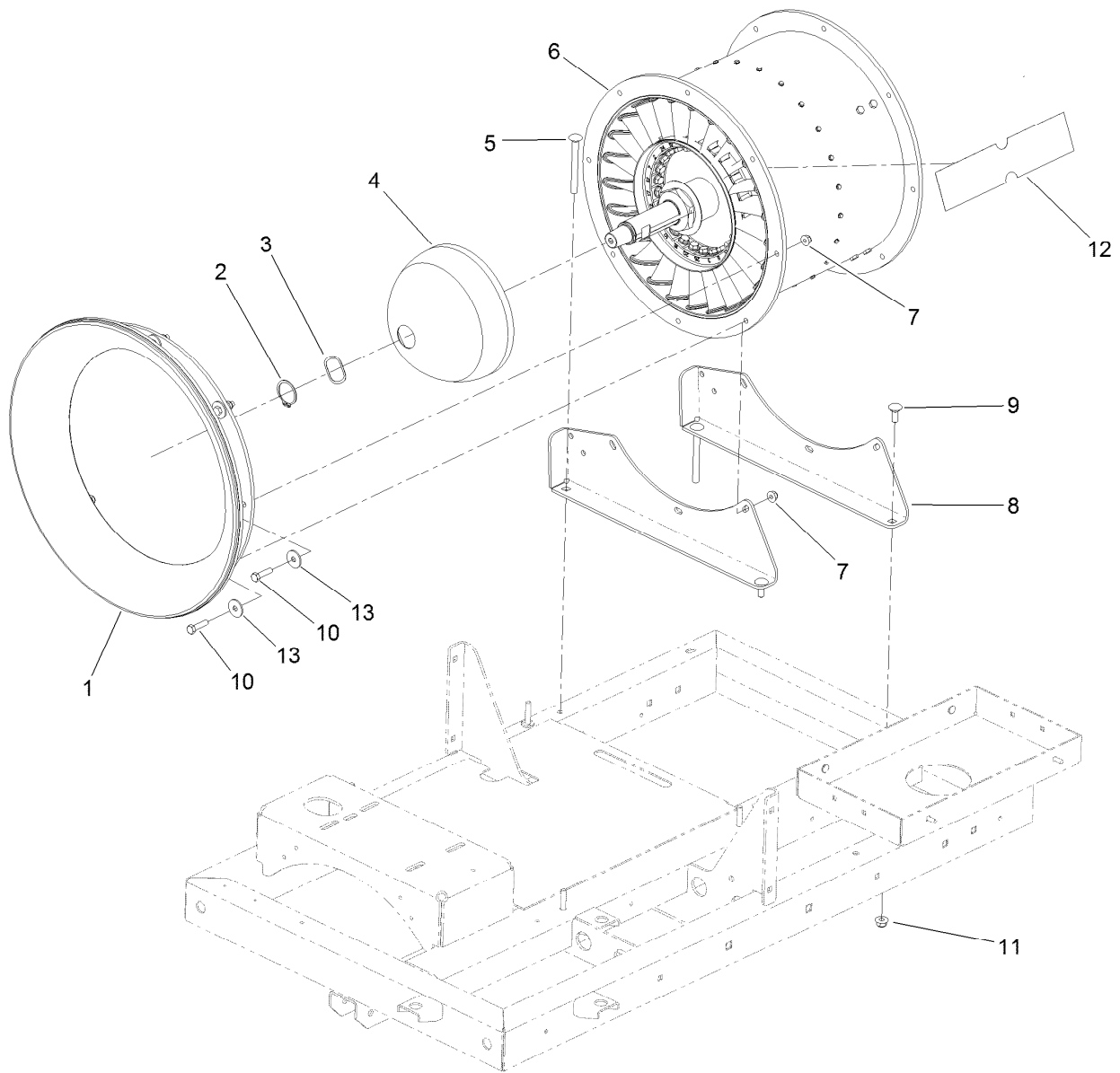
Frame, Wheel, Axle and Hitch Assembly

| Ref. | Part Number | Qty. | Description | Ref. | Part Number | Qty. | Description |
|------|-------------|------|-------------------------------|------|-------------|------|-------------------------------|
| 1 | 130-8510 | 1 | Frame ASM | 20 | 3230-9 | 4 | Screw-CARR |
| 1:2 | 115-5105 | 1 | Decal-Warning | 21 | 3230-2 | 4 | Bolt-CARR |
| 1:3 | 115-5113 | 1 | Decal-Protection, Eye And Ear | 22 | 322-5 | 2 | Screw-HH |
| 2 | 119-2958-01 | 2 | Mount-Axle | 23 | 104-8300 | 10 | Nut-HF, NI |
| 3 | 117-8255 | 2 | Hub And Axle ASM | 25 | 13-6200 | 1 | Pin-Hitch, Pointed |
| 4 | 112-6852 | 2 | Fender | 25:1 | 3290-343 | 1 | Pin-Hair |
| 5 | 104-8301 | 8 | Nut-HF, NI | 26 | 3256-82 | 8 | Washer-Flat |
| 6 | 1-543286 | 2 | Grommet | 27 | 92-1298 | 1 | Pin-Lynch |
| 7 | 3231-2 | 6 | Bolt-CARR | 28 | 3296-48 | 4 | Nut-Lock, NI |
| 8 | 2412-133 | 2 | Clamp-R | 29 | 3232-17 | 4 | Screw-CARR |
| 9 | 104-7050 | 1 | Tube-Manual | 30 | 125-6055-01 | 1 | Tower-Control, Wa |
| 10 | 98-8691 | 2 | Wheel ASM | 31 | 323-10 | 3 | Screw-HH |
| 10:1 | 232-27 | 1 | Stem-Valve | 32 | 93-8806 | 6 | Washer-Hardened |
| 10:2 | 99-4506 | 1 | Tire | 33 | 32128-19 | 3 | Nut-HF |
| 10:3 | 99-4507 | 1 | Rim | 34 | 121-2870 | 3 | Mount-2 Piece |
| 11 | 323-14 | 2 | Screw-HH | 35 | 119-6165 | 1 | Decal-Ignition |
| 12 | 112-6942-01 | 1 | Hitch | 36 | 131-6766 | 1 | Decal-Fuses |
| 13 | 3296-53 | 2 | Nut-Lock, NI | 37 | 131-6703 | 1 | Bracket-Hold Down, Electrical |
| 14 | 327-23 | 2 | Screw-HH | 38 | 3334-945 | 1 | Tie-Cable |
| 15 | 47-3550-01 | 1 | Clevis-Hitch | 39 | 32180-030 | 1 | Clip-Tie |
| 16 | 104-7048 | 1 | Cap-Housing | 40 | 117-2718 | 1 | Decal-Arrester, Spark |



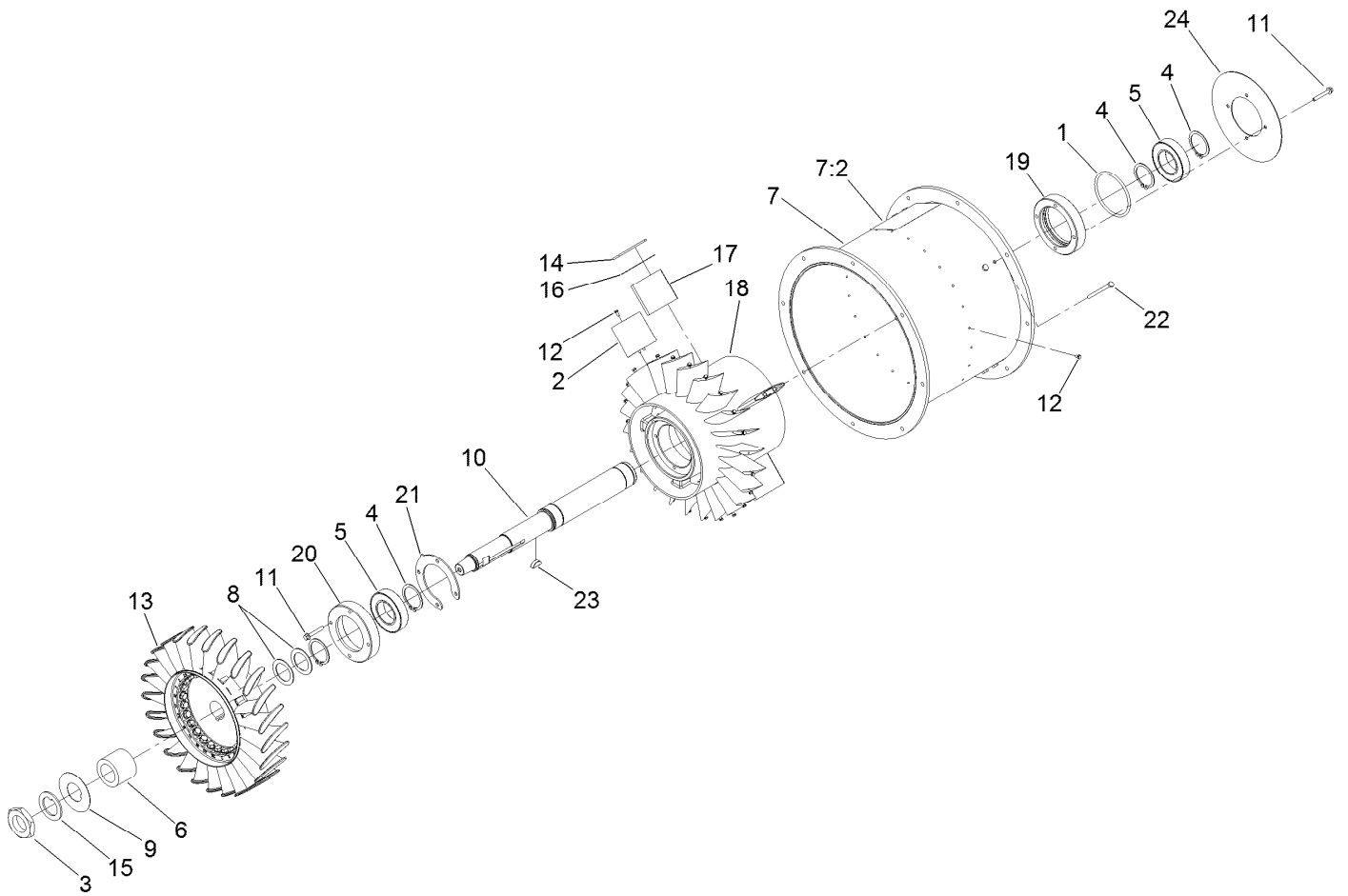
Hub and Axle Assembly No. 117-8255

| <i>Ref.</i> | <i>Part Number</i> | <i>Qty.</i> | <i>Description</i> |
|-------------|--------------------|-------------|-----------------------|
| 2 | 117-5115 | 2 | Hub And Bearing ASM |
| 2:1 | 117-8251 | 1 | Hub ASM |
| 2:1:2 | 114-3918 | 4 | Stud-Wheel |
| 2:1:3 | 254-72 | 2 | Bearing-Cup, Tapered |
| 2:2 | 254-94 | 2 | Bearing-Cone, Tapered |
| 2:3 | 112-1690 | 1 | Seal-Oil |
| 2:4 | 241-119 | 1 | Cap-Dust |
| 2:5 | 242-50 | 4 | Nut-Lug |
| 3 | 117-8259 | 1 | Washer-Spindle |
| 4 | 117-8260 | 1 | Nut |
| 5 | 93-0307 | 1 | Nut-Lock, Retainer |
| 6 | 3272-18 | 1 | Pin-Cotter |



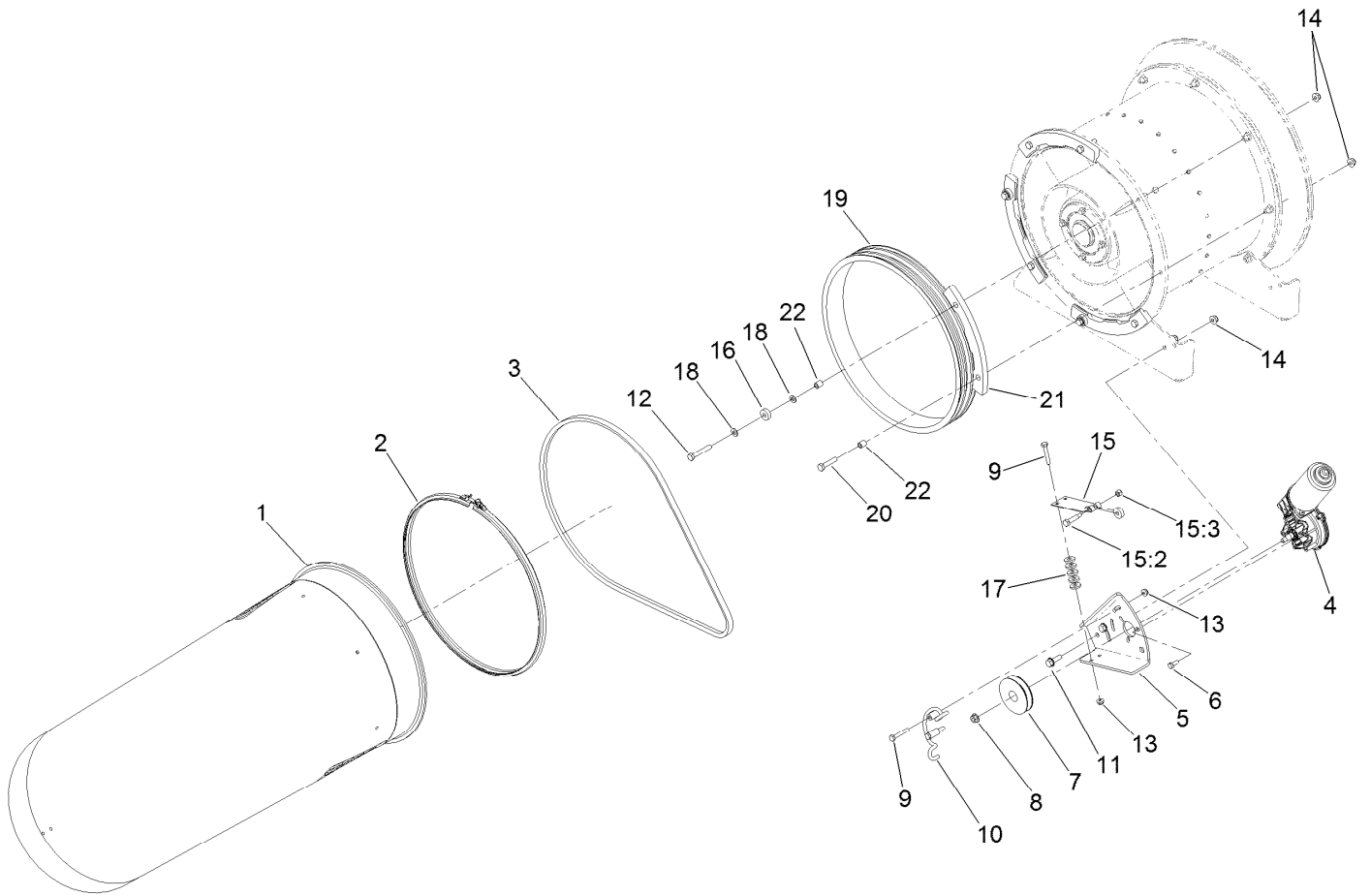
Turbine Mounting Assembly

| Ref. | Part Number | Qty. | Description |
|-------------|--------------------|-------------|--------------------|
| 1 | 117-8329 | 1 | Bell-Inlet |
| 2 | 112-1952 | 1 | Ring-Snap, EXT |
| 3 | 93-4632 | 1 | Washer-Wavey |
| 4 | 131-9440 | 1 | Cap-Front |
| 5 | 3231-24 | 2 | Screw-CARR |
| 6 | 125-4260 | 1 | Turbine ASM |
| 7 | 104-8300 | 8 | Nut-HF, NI |
| 8 | 112-6851-01 | 2 | Mount-Fan |
| 9 | 3231-22 | 2 | Screw-CARR |
| 10 | 322-6 | 8 | Screw-HH |
| 11 | 104-8301 | 4 | Nut-HF, NI |
| 12 | 115-5102 | 2 | Decal |
| 13 | 5-4460 | 8 | Washer-Pivot |



Turbine Assembly No. 125-4260

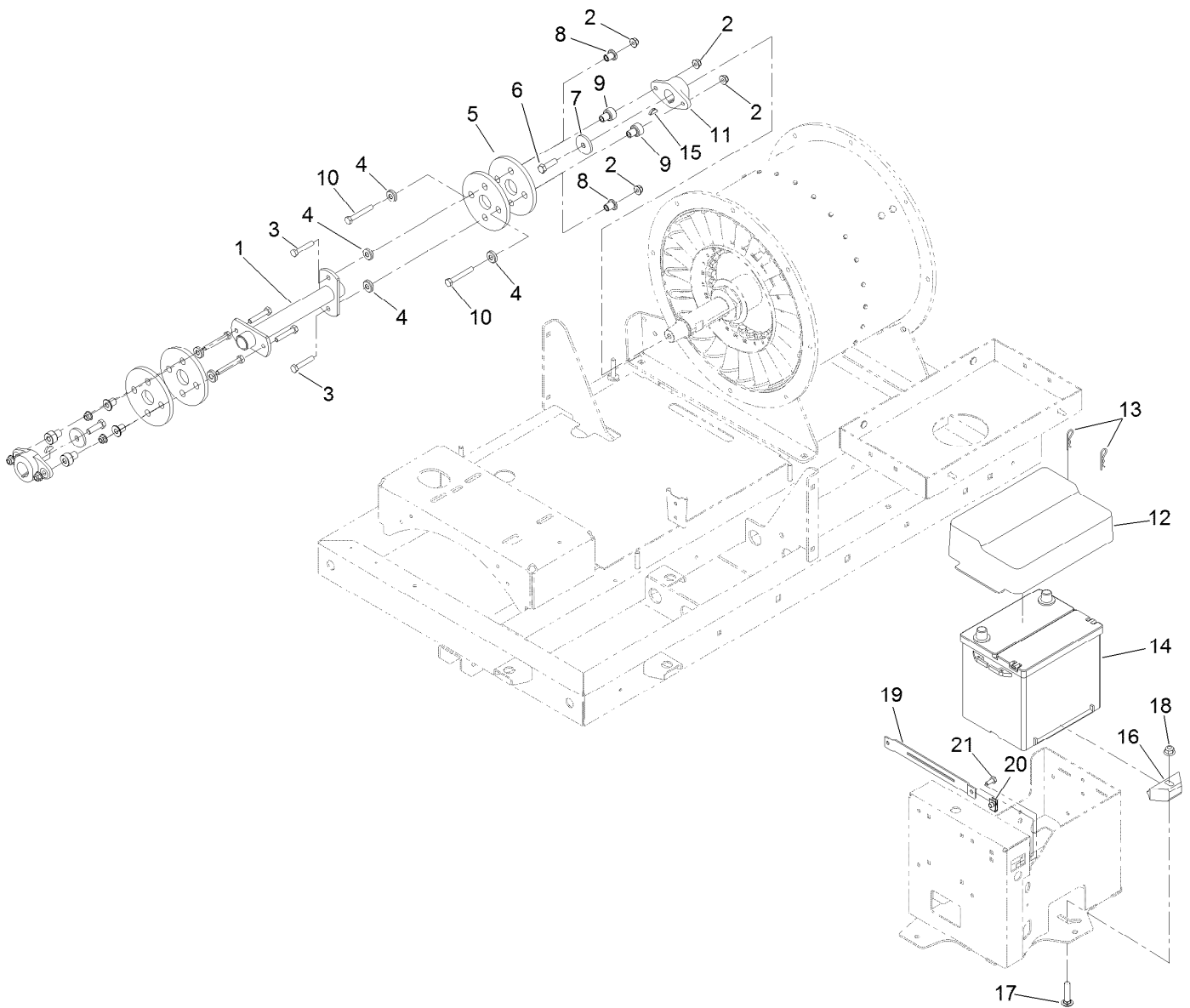
| <i>Ref.</i> | <i>Part Number</i> | <i>Qty.</i> | <i>Description</i> | <i>Ref.</i> | <i>Part Number</i> | <i>Qty.</i> | <i>Description</i> |
|-------------|--------------------|-------------|--------------------|-------------|--------------------|-------------|--------------------|
| 1 | 92-9533 | 1 | O-Ring | 13 | 117-8356 | 1 | Rotor |
| 2 | 112-1871 | 24 | Vane-Stator | 14 | 117-8393 | 1 | Spacer-Fin |
| 3 | 112-1899 | 1 | Nut | 15 | 119-6202 | 1 | Washer-Tab |
| 4 | 112-1951 | 4 | Ring-Snap, EXT | 16 | 119-6207 | 1 | Spacer-Fin |
| 5 | 112-6764 | 2 | Bearing-Ball | 17 | 119-6444 | 4 | Mount-Fin |
| 6 | 114-2164 | 1 | Spacer | 18 | 120-5920 | 1 | Inner Housing |
| 7 | 115-5128 | 1 | Housing ASM | 19 | 120-6042 | 1 | End-Oring |
| 7:2 | 115-5106 | 2 | Decal-Danger | 20 | 120-6061 | 1 | Bearing-Cap |
| 8 | 115-5131 | 2 | Washer | 21 | 120-6063 | 1 | End-Cap |
| 9 | 115-9005 | 1 | Washer-Tab | 22 | 321-19 | 8 | Screw-HH |
| 10 | 115-9075 | 1 | Shaft-Fan | 23 | 3257-42 | 1 | Key-Woodruff |
| 11 | 125-4287 | 8 | Screw-HHF | 24 | 130-0871-03 | 1 | Plate-Center |
| 12 | 117-8303 | 24 | Screw-HHF | | | | |



Nozzle Drive Assembly

| Ref. | Part Number | Qty. | Description |
|------|-------------|------|-------------------|
| 1 | 119-6287 | 1 | Nozzle |
| 2 | 112-6899 | 1 | Clamp-Nozzle |
| 3 | 112-1853 | 1 | Belt-V |
| 4 | 130-8551 | 1 | Motor-Reversible |
| 5 | 115-5149-01 | 1 | Bracket-Motor |
| 6 | 33113-016 | 3 | Screw-HH |
| 7 | 115-5147 | 1 | Pulley |
| 8 | 98-0668 | 1 | Nut |
| 9 | 321-37 | 4 | Screw-HH |
| 10 | 112-6924 | 1 | Guard-Belt, Drive |
| 11 | 3234-29 | 2 | Screw-HHF |
| 12 | 322-10 | 2 | Screw-HH |

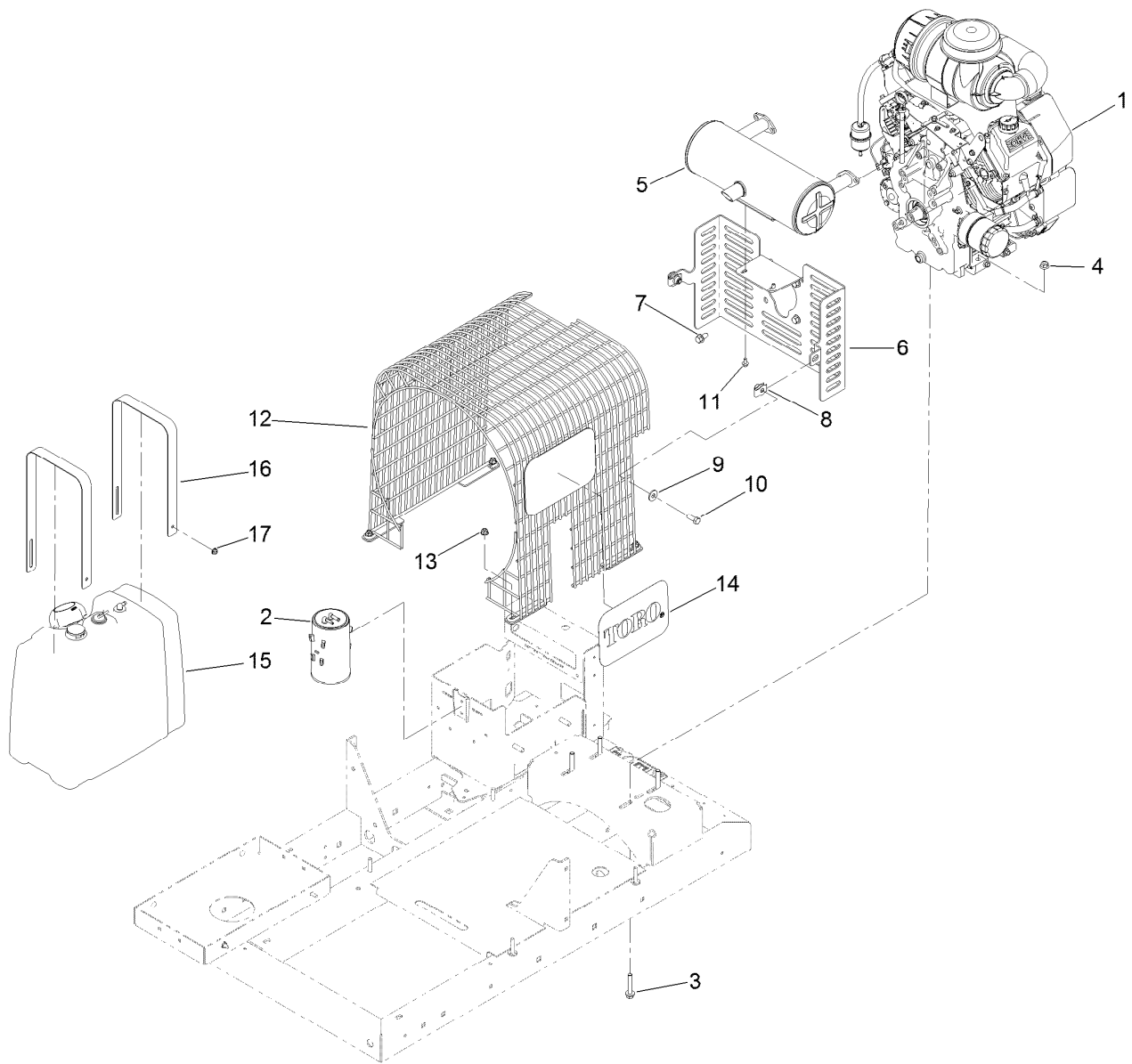
| Ref. | Part Number | Qty. | Description |
|------|-------------|------|-----------------|
| 13 | 104-7201 | 4 | Nut-HF |
| 14 | 104-8300 | 10 | Nut-HF, NI |
| 15 | 110-9650 | 1 | Leaf Spring ASM |
| 15:2 | 36-2250 | 1 | Bolt-Shoulder |
| 15:3 | 3296-42 | 1 | Nut-Lock, NI |
| 16 | 251-259 | 3 | Bearing-Ball |
| 17 | 88-7200 | 10 | Washer-Flat |
| 18 | 3256-74 | 4 | Washer-Flat |
| 19 | 112-1874 | 1 | Pulley-Nozzle |
| 20 | 322-7 | 6 | Screw-HH |
| 21 | 114-9868 | 4 | Guide-Nozzle |
| 22 | 93-6859 | 8 | Spacer |



Battery and Drive Shaft Assembly

| Ref. | Part Number | Qty. | Description |
|------|-------------|------|-------------------------|
| 1 | 115-5124-03 | 1 | Shaft-Drive |
| 2 | 104-8300 | 8 | Nut-HF, NI |
| 3 | 322-39 | 4 | Screw-HH |
| 4 | 131-6761 | 8 | Washer |
| 5 | 115-5129 | 4 | Coupling-Rubber |
| 6 | 323-7 | 2 | Screw-HH |
| 7 | 114-2120 | 2 | Washer |
| 8 | 131-6763 | 4 | Spacer-Coupling, Rubber |
| 9 | 131-6762 | 4 | Spacer-Coupling, Rubber |
| 10 | 322-32 | 4 | Screw-HH |
| 11 | 114-2122 | 2 | Hub-Engine |

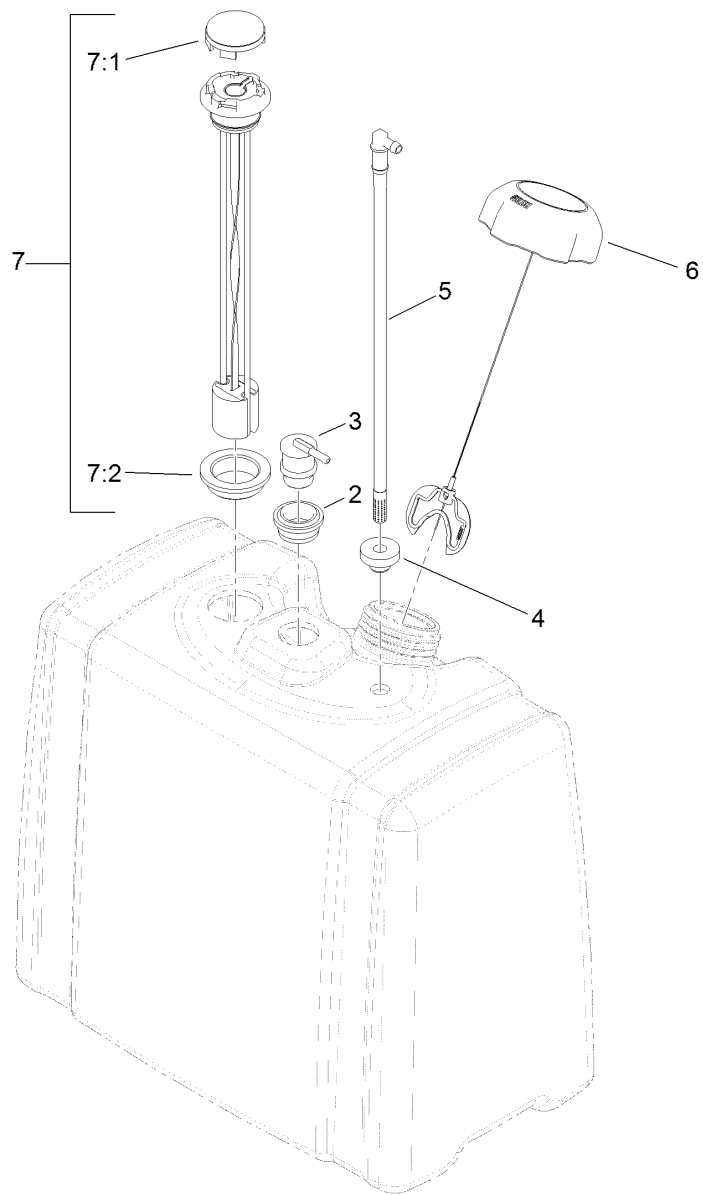
| Ref. | Part Number | Qty. | Description |
|------|-------------|------|------------------|
| 12 | 130-8569 | 1 | Cover-Battery |
| 13 | 3290-467 | 2 | Pin-Hair |
| 14 | 106-5187 | 1 | Battery-Dry |
| 15 | 3257-5 | 2 | Key-Woodruff |
| 16 | 66-2490 | 1 | Retainer-Battery |
| 17 | 3231-5 | 1 | Screw-CARR |
| 18 | 104-8301 | 1 | Nut-HF, NI |
| 19 | 130-0932-01 | 1 | Bracket-Cover |
| 20 | 107069 | 2 | Clip |
| 21 | 321-3 | 2 | Screw-HH |



Engine, Muffler and Fuel Tank Assembly

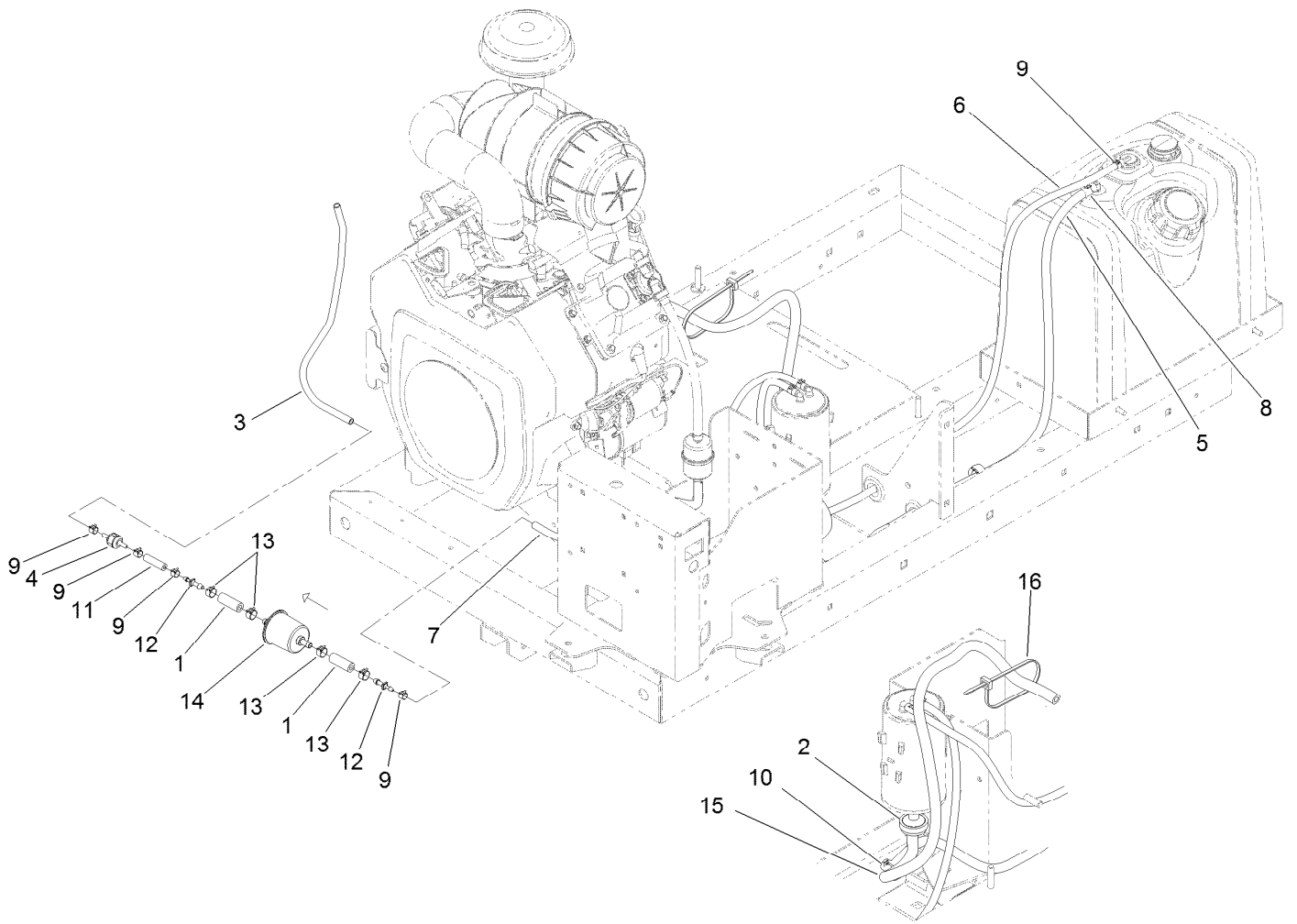
| Ref. | Part Number | Qty. | Description | Ref. | Part Number | Qty. | Description |
|------|-------------|------|---------------------------|------|-------------|------|-----------------------|
| 1 | 131-9400 | 1 | Engine-Kohler, Ch740-3331 | 9 | 80-6990 | 2 | Washer-Hardened |
| 1:1 | 108-3847 | 1 | Filter-Oil ● | 10 | 323-6 | 2 | Screw-HH |
| 2 | 127-8685 | 1 | Canister-Carbon | 11 | 33103-012 | 2 | Screw-HHF |
| 3 | 66-9302 | 4 | Screw-HHF, Whiz | 12 | 112-6876 | 1 | Grill-Top |
| 4 | 104-8301 | 4 | Nut-HF, NI | 13 | 104-8300 | 4 | Nut-HF, NI |
| 5 | 112-6862 | 1 | Muffler | 14 | 92-1242 | 2 | Decal |
| 6 | 119-6171-03 | 1 | Mount-Muffler | 15 | 115-9048 | 1 | Fuel Tank ASM |
| 7 | 110-1718 | 4 | Screw-HHF | 16 | 119-6285 | 2 | Strap-Hold Down, Tank |
| 8 | 105-4886 | 2 | Nut-Tinnerman | 17 | 104-7201 | 4 | Nut-HF |

● Not illustrated



Fuel Tank Assembly No. 115-9048

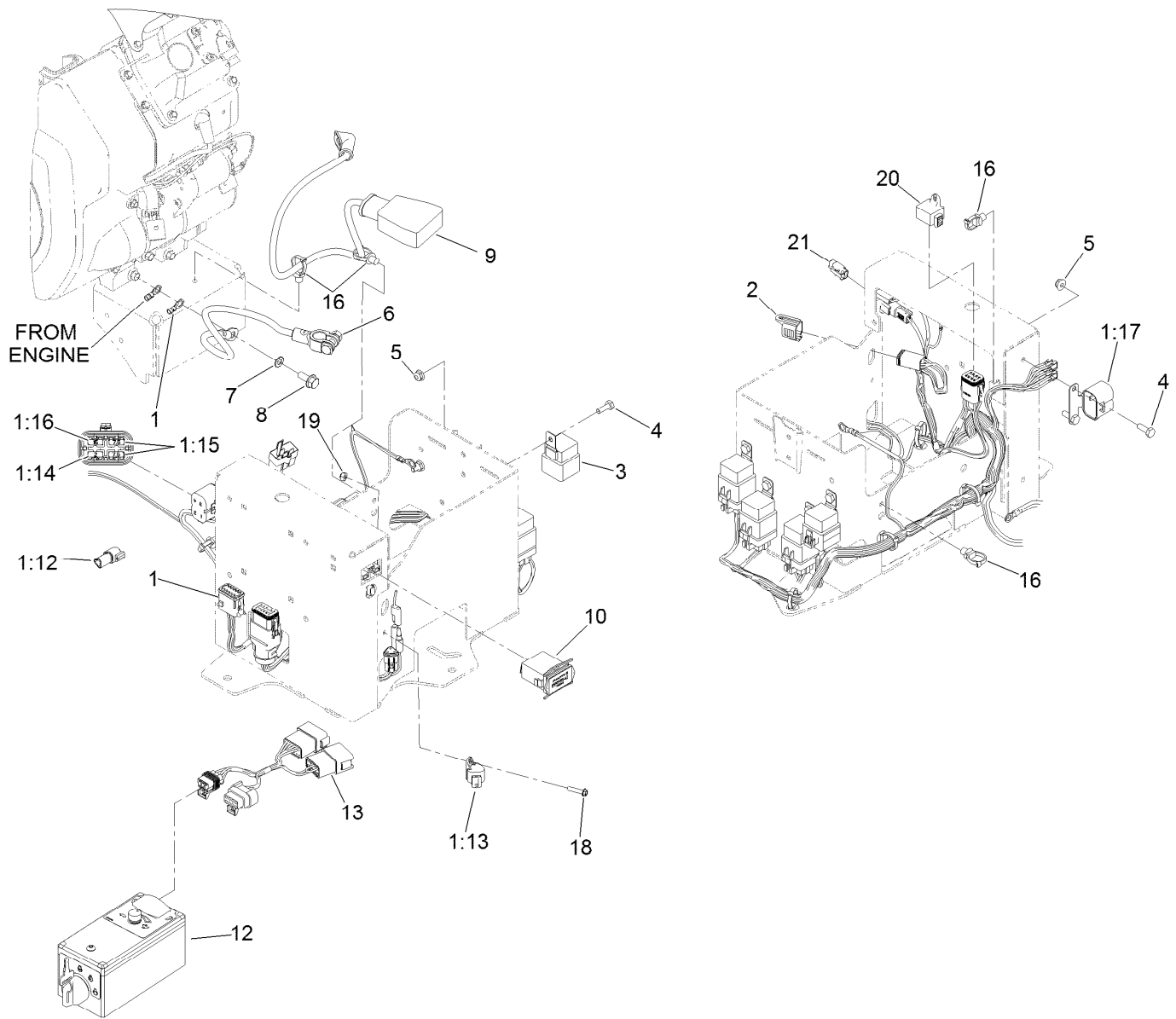
| <i>Ref.</i> | <i>Part Number</i> | <i>Qty.</i> | <i>Description</i> |
|-------------|--------------------|-------------|--------------------|
| 2 | 114-0284 | 1 | Grommet |
| 3 | 114-0285 | 1 | Valve-Rollover |
| 4 | 46-6560 | 1 | Bushing |
| 5 | 115-9044 | 1 | Pipe-Stand |
| 6 | 115-7788 | 1 | Cap-Fuel |
| 7 | 119-0509 | 1 | Gauge ASM |
| 7:1 | 117-8404 | 1 | Dial-Gauge |
| 7:2 | 119-0508 | 1 | Seal |



Fuel Delivery Assembly

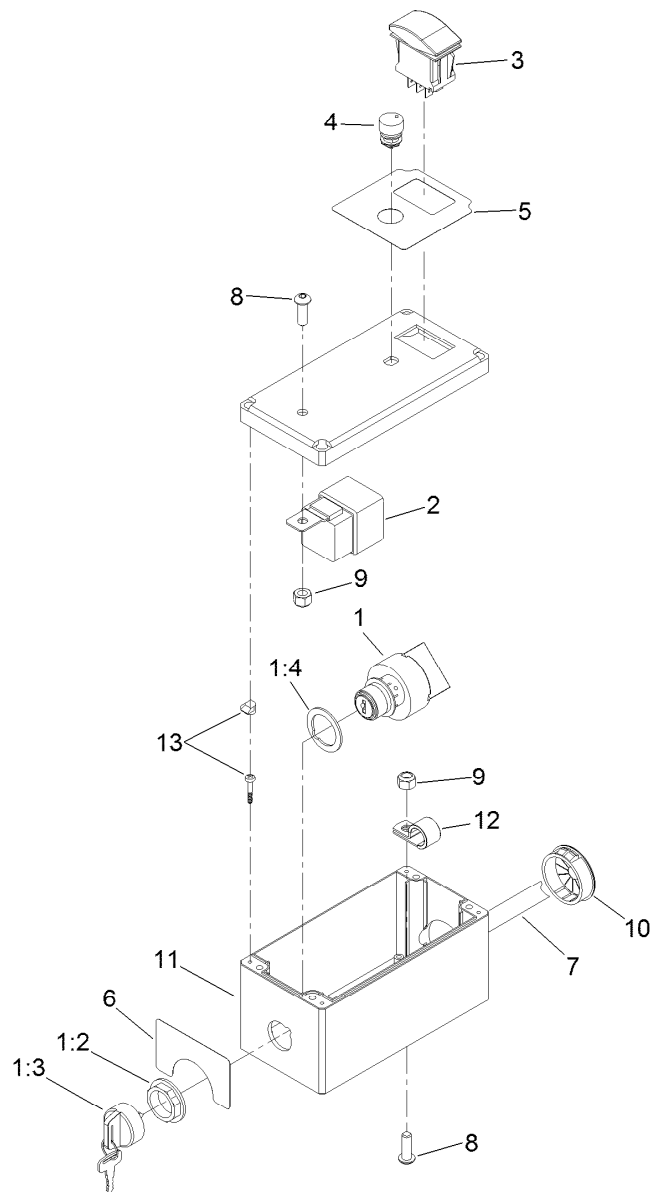
| Ref. | Part Number | Qty. | Description |
|------|-------------|------|---------------------|
| 1 | 106-5317 | 3 | Hose-Fuel |
| 2 | 115-7854 | 1 | Filter-Fuel, Inline |
| 3 | 119-8150 | 1 | Hose-Fuel |
| 4 | 115-7868 | 1 | Valve-Check, Vacuum |
| 5 | 107-9298 | 1 | Hose-Fuel |
| 6 | 119-6073 | 1 | Hose-Fuel |
| 7 | 110-3254 | 1 | Hose-Fuel |
| 8 | 2412-98 | 2 | Clamp-Hose |

| Ref. | Part Number | Qty. | Description |
|------|-------------|------|------------------|
| 9 | 2412-80 | 5 | Clamp-Hose |
| 10 | 32180-030 | 6 | Clip-Tie |
| 11 | 119-8561 | 1 | Hose-Fuel |
| 12 | 106-8150 | 2 | Fitting-Straight |
| 13 | 92-2379 | 4 | Clamp-Hose |
| 14 | 120-2235 | 1 | Filter-Fuel |
| 15 | 110-4109 | 1 | Hose-Fuel |
| 16 | 3290-378 | 1 | Tie-Cable |



Electrical Assembly

| <i>Ref.</i> | <i>Part Number</i> | <i>Qty.</i> | <i>Description</i> | <i>Ref.</i> | <i>Part Number</i> | <i>Qty.</i> | <i>Description</i> |
|-------------|--------------------|-------------|--------------------------|-------------|--------------------|-------------|------------------------------|
| 1 | 122-0220 | 1 | Harness-Wire, Blower | 7 | 3255-8 | 1 | Washer-Lock |
| 1:12 | 32180-043 | 2 | Resistor-120 Ohm | 8 | 33104-020 | 1 | Screw-HHF |
| 1:13 | 32180-089 | 1 | Cap-Plug, 3 Way | 9 | 122-0629 | 1 | Cable-Battery, Positive |
| 1:14 | 121-8861 | 1 | Fuse-Mini Blade, 2 Amp | 10 | 1-513374 | 1 | Meter-Hour |
| 1:15 | 121-8865 | 2 | Fuse-Mini Blade, 7.5 Amp | 12 | 119-6341 | 1 | Tethered Control ASM |
| 1:16 | 121-8867 | 1 | Fuse-Mini Blade, 15 Amp | 13 | 122-0620 | 1 | Harness-Wire, Tether Adapter |
| 1:17 | 32180-179 | 1 | Cover-Bussman | 16 | 32180-030 | 3 | Clip-Tie |
| 2 | 32180-156 | 1 | Cap-Plug, 6 Way | 18 | 106-9169 | 1 | Screw-HWH |
| 3 | 99-7430 | 4 | Relay | 19 | 3296-2 | 1 | Nut-Lock, NI |
| 4 | 321-4 | 6 | Screw-HH | 20 | 32180-201 | 1 | Cap-Plug |
| 5 | 104-7201 | 6 | Nut-HF | 21 | 32180-202 | 1 | Cap-Plug |
| 6 | 125-5966 | 1 | Cable-Battery, Negative | | | | |



Tethered Control Assembly No. 119-6341

| <i>Ref.</i> | <i>Part Number</i> | <i>Qty.</i> | <i>Description</i> | <i>Ref.</i> | <i>Part Number</i> | <i>Qty.</i> | <i>Description</i> |
|-------------|--------------------|-------------|------------------------|-------------|--------------------|-------------|--------------------------|
| 1 | 106-5269 | 1 | Ignition Switch ASM | 6 | 119-1776 | 1 | Decal-Tether, Start |
| 1:2 | 108-8660 | 1 | Nut-Mounting | 7 | 119-1757 | 1 | Harness-Tethered Control |
| 1:3 | 106-5270 | 1 | Ignition Key Set | 8 | 3274-69 | 2 | Screw-HSBH |
| 1:4 | 108-8659 | 1 | Washer-Backup | 9 | 3296-42 | 2 | Nut-Lock, NI |
| 2 | 99-7430 | 1 | Relay | 10 | 119-1105 | 1 | Bushing |
| 3 | 100-1535 | 1 | Switch | 11 | 119-1101 | 1 | Box-Control |
| 4 | 119-1774 | 1 | Potentiometer | 12 | 2412-73 | 1 | Clamp-R |
| 5 | 119-1775 | 1 | Decal-Tether, Throttle | 13 | 119-6243 | 1 | Hardware Kit |

Attachments and Accessories

For 44554 Pro Force Debris Blower

| Product Name | Model/Part |
|------------------------------|------------|
| Tapered Nozzle Kit..... | 119-6280 |
| Rectangular Nozzle Kit | 119-6281 |



Count on it.