



Count on it.

Parts Catalog

**Dust-Control 66in Rake-O-Vac®
Sweeper**

Model No. 07055—Serial No. 312000001 and Up



Ordering Replacement Parts

To order replacement parts, please supply the part number, the quantity, and the description of each part desired.

Understanding Reference Numbers

Each identified part in an illustration has a reference number. The reference number for a part also appears in the parts list, along with other information about the part.

This catalog uses two special reference number formats, one to indicate parts in a service assembly and another to indicate the quantity of a given part in an illustration.

Service Assembly Reference Numbers

Parts in service assemblies have reference numbers in the form a:b. The a represents the reference number of the entire service assembly and the b represents a sequential number unique to each part within the service assembly.

For example, a wheel assembly might be identified by reference number 6, the tire by 6:1, the valve by 6:2, and the wheel by 6:3. When you order the assembly identified by reference number 6, you receive all parts identified by reference numbers 6:1, 6:2, and 6:3. However, you may also order any part individually. Reference numbers of this type appear in illustration and in parts lists.

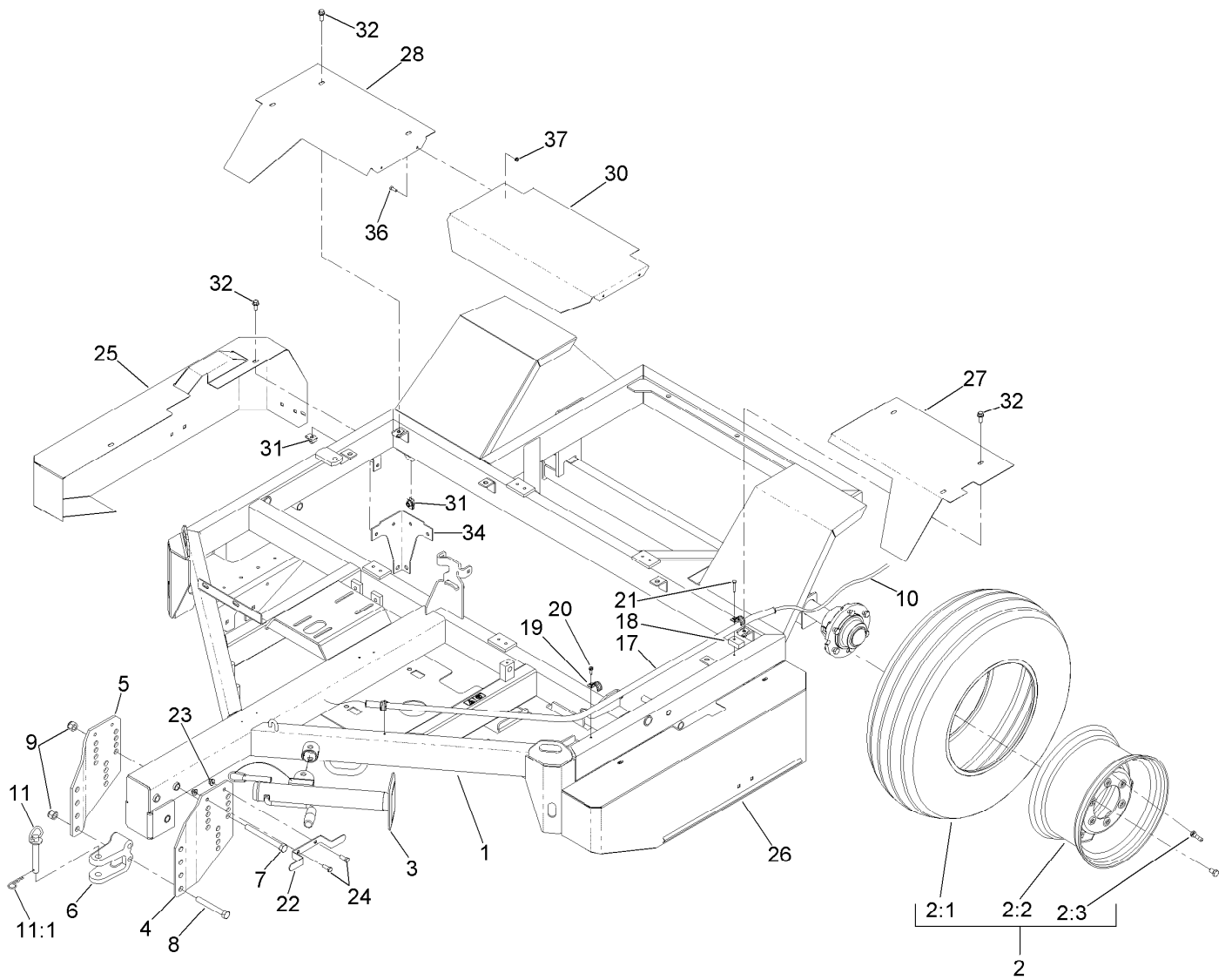
Reference Numbers Indicating Quantity

In an illustration, if a reference number indicates more than one part, the reference number has the form nX y. The n represents the quantity of the part, the X is the multiplication symbol, and the y represents the reference number.

For example, in an illustration, the reference number 2X 37 means that two of the parts identified by reference number 37 are indicated.

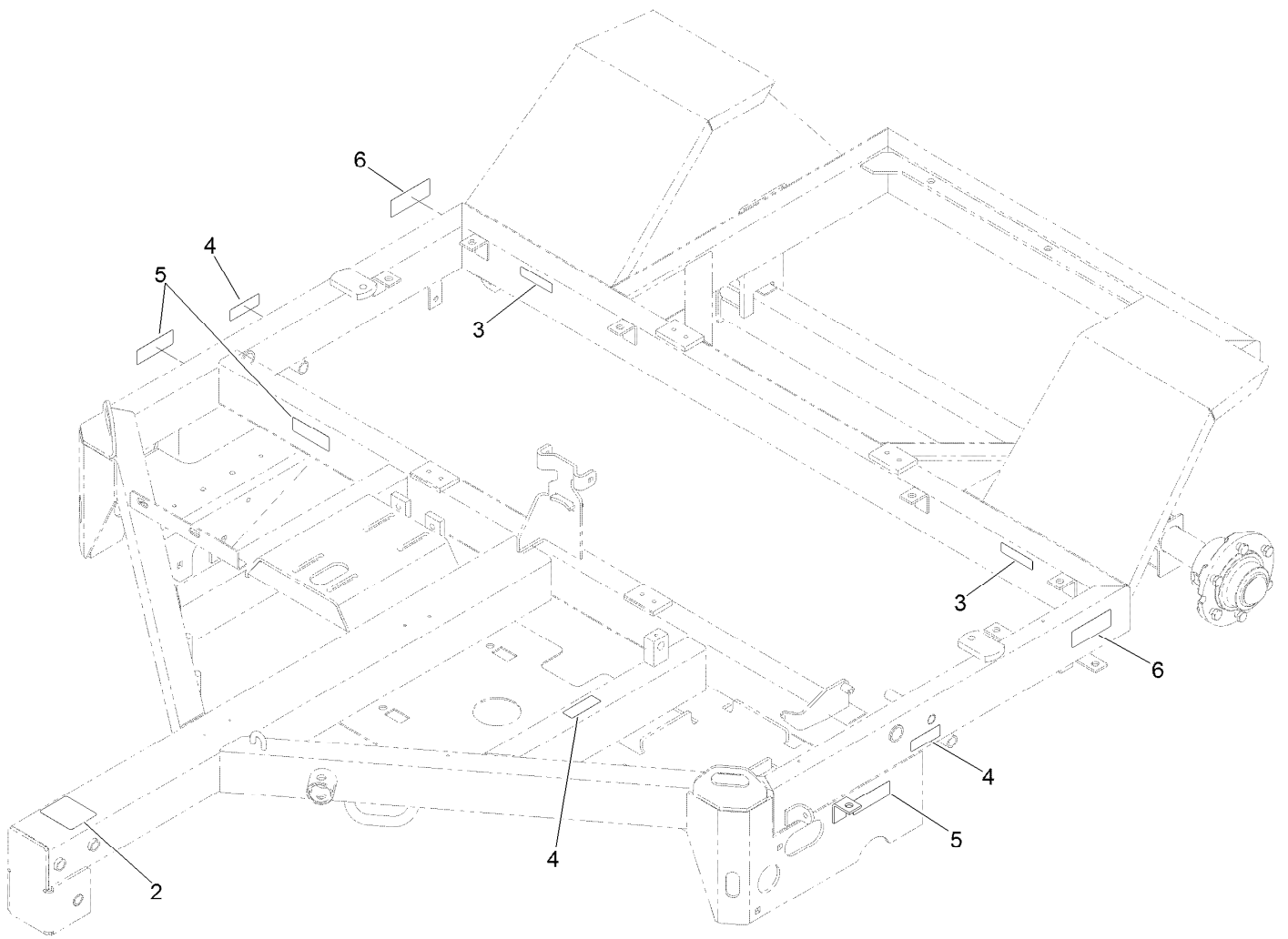
Contents

Frame and Tire Assembly	4
Frame Decal Assembly	5
Wheel Hub Assembly	6
Blower and Throat Assembly	7
Blower Fan and Throat Flap Assembly	8
Blower and Throat Housing Assembly	9
Rake and Trailing Arm Assembly	10
LH Trailing Arm Assembly No. 117-8470	11
Rake Assembly	12
Right Hand Trailing Arm Assembly	13
RH Trailing Arm Assembly No. 117-8460	14
Engine, Clutch and Muffler Assembly	15
Centrifugal Clutch Assembly No. 107-1050	17
Clutch Assembly No. 107-1070	18
Guard Assembly	19
Battery and Fuel System Assembly	20
Fuel Tank Assembly No. 115-9047	21
Hopper Assembly	22
Hopper and Hood Assembly	24
Attachments and Accessories	25



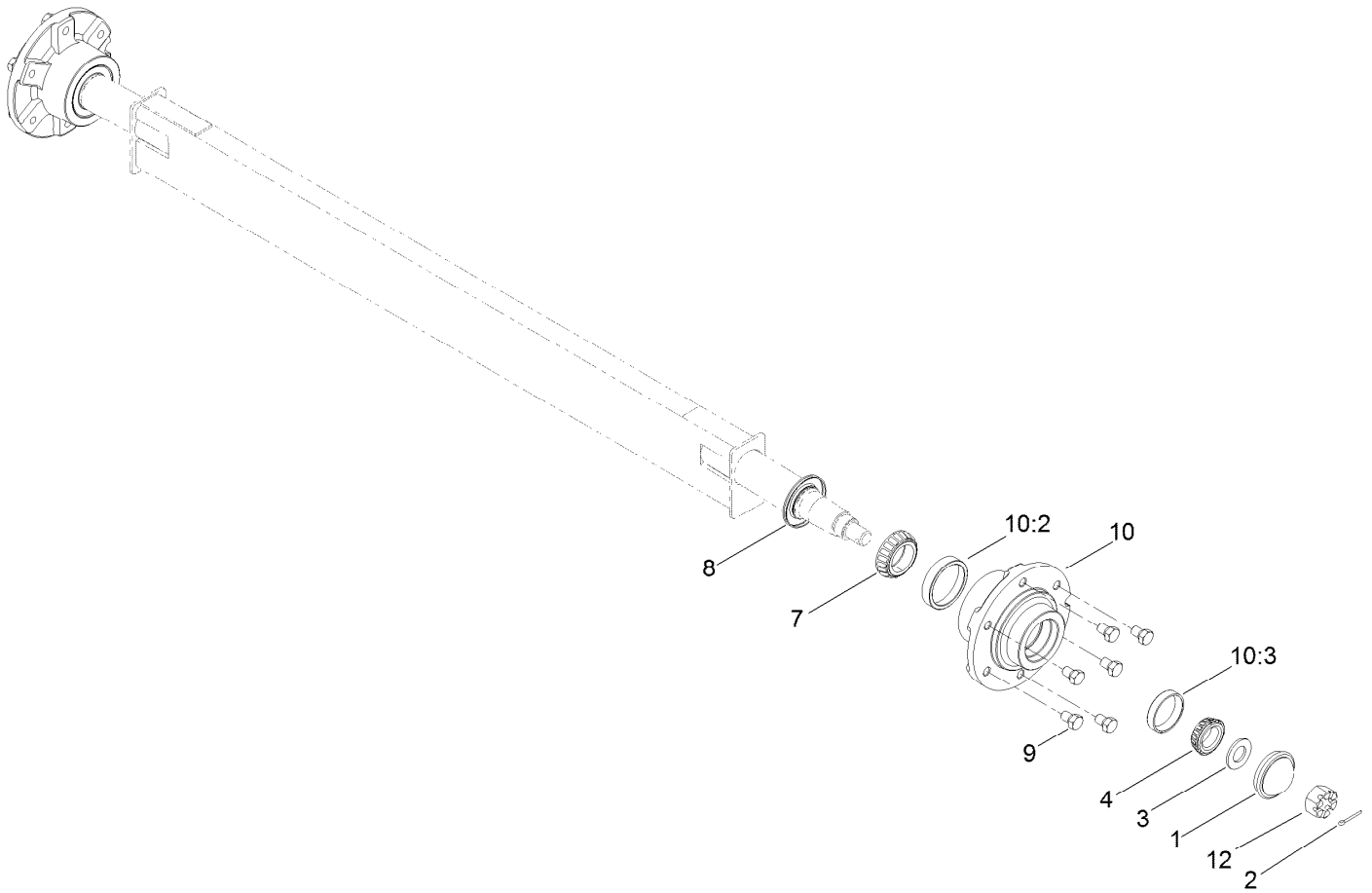
Frame and Tire Assembly

Ref.	Part Number	Qty.	Description	Ref.	Part Number	Qty.	Description
1	120-6049	1	Frame And Axle ASM	19	2412-40	3	Clamp-Conduit
2	119-6224	2	Wheel And Tire ASM	20	32104-95	2	Screw-HWH
2:1	119-6225	1	Tire	21	32104-96	1	Screw-HH
2:2	119-6226	1	Wheel	22	106-0262-01	1	Mount-Harness
2:3	232-27	1	Stem-Valve	23	104-8301	6	Nut-HF, NI
3	106-9699	1	Jack	24	323-6	2	Screw-HH
4	110-7518-03	1	Plate-Hitch, LH	25	121-2778-03	1	Guard-Belt
5	110-7519-03	1	Plate-Hitch, RH	26	121-2784-03	1	Guard-Foot
6	47-3550-03	1	Hitch-Clevis	27	121-2682-03	1	Guard-Brush, LH
7	327-17	3	Screw-HH	28	121-2683-03	1	Cover-Brush, RH
8	327-12	2	Screw-HH	30	121-2686-03	1	Cover-Brush, Center
9	3296-53	5	Nut-Lock, NI	31	105-4886	12	Nut-Tinnerman
10	20-9580	1	Latch-Rope	32	110-5052	16	Screw-HHF
11	13-6200	1	Pin-Hitch, Pointed	34	121-2706-03	2	Support-Cover
11:1	3290-343	1	Pin-Hair	36	321-4	4	Screw-HH
17	13-6890-01	1	Guide-Rope	37	104-7201	4	Nut-HF
18	13-6910-01	1	Spacer-Guide, Rope				



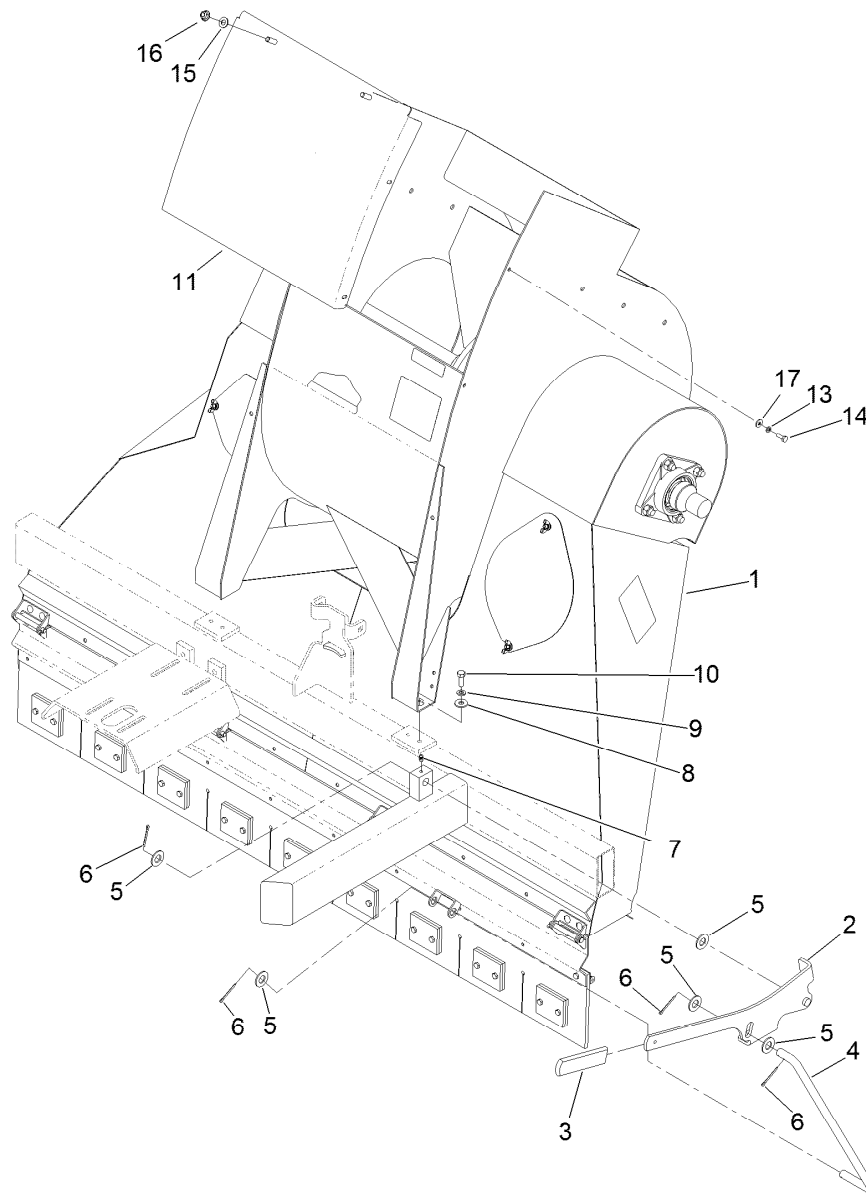
Frame Decal Assembly

<i>Ref.</i>	<i>Part Number</i>	<i>Qty.</i>	<i>Description</i>
2	121-2836	1	Plate-Hitch, Caution
3	119-0217	2	Decal-Danger
4	120-0625	3	Decal-Warning, Pinch Point
5	117-4979	3	Decal-Warning, Shields
6	121-2840	2	Decal-Caution



Wheel Hub Assembly

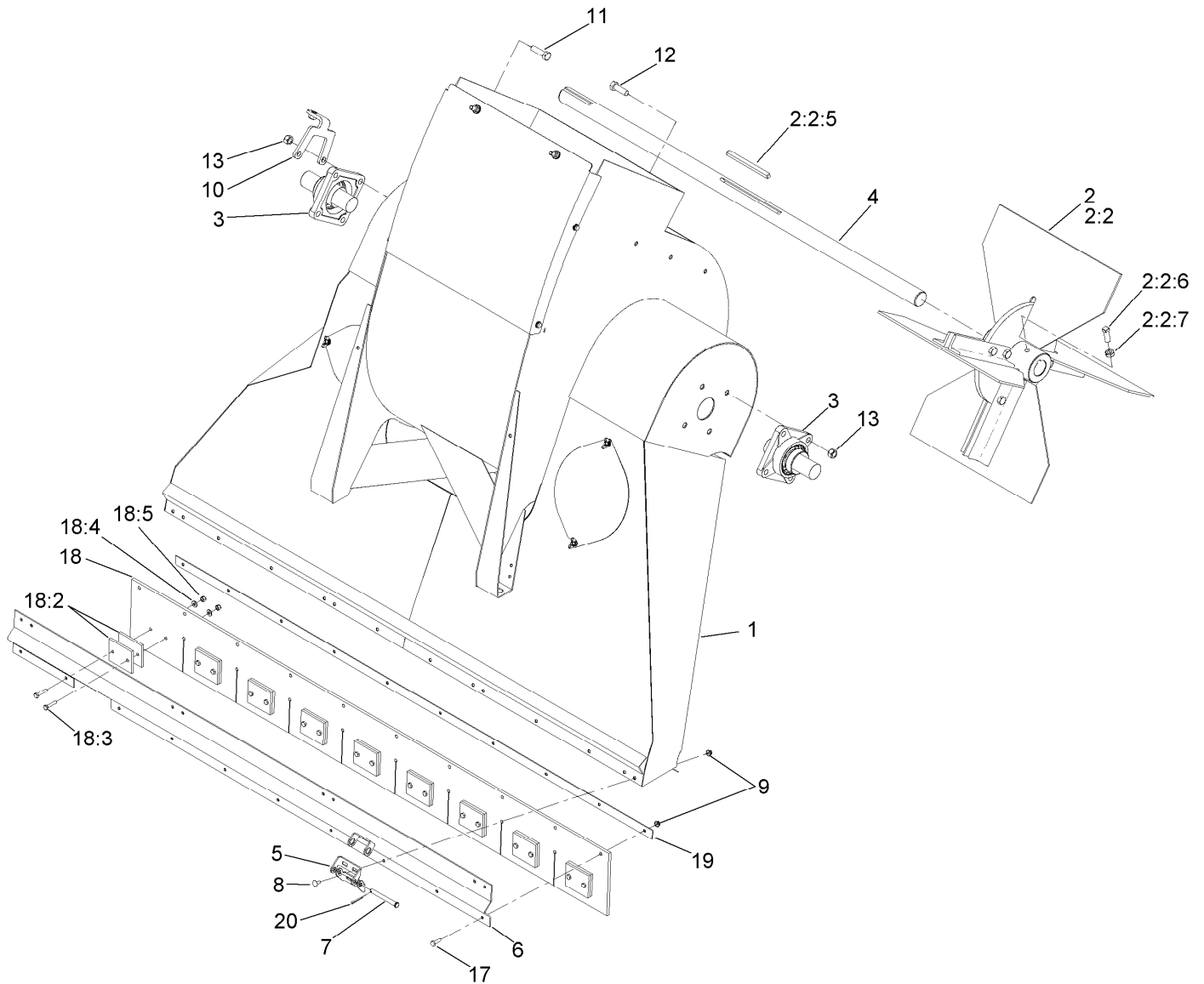
<i>Ref.</i>	<i>Part Number</i>	<i>Qty.</i>	<i>Description</i>
1	217-111	2	Cap-Hub
2	3272-17	2	Pin-Cotter
3	3256-29	2	Washer-Flat
4	254-62	2	Bearing-Roller, Cone
7	254-65	2	Bearing-Roller, Cone
8	253-127	2	Seal
9	217-103	12	Bolt-Wheel
10	117-8535	2	Hub-Cupped
10:2	254-66	1	Cup-Bearing, Roller
10:3	254-61	1	Cup-Bearing, Roller
12	32136-1	2	Nut-Slotted



Blower and Throat Assembly

Ref.	Part Number	Qty.	Description	Ref.	Part Number	Qty.	Description
1		1	Blower And Throat ASM ●	9	3253-21	8	Washer-Lock
2	120-5965-03	1	Handle-Flap	10	323-6	8	Screw-HH
3	105-3450	1	Grip-Lever, Lift	11	119-6442-01	1	Door-Access
4	120-5966	1	Rod-Flap Lift	13	3253-3	4	Washer-Lock
5	3256-27	5	Washer-Flat	14	321-4	4	Screw-HH
6	3272-13	4	Pin-Cotter	15	3256-24	2	Washer-Flat
7	302-5	1	Fitting-Grease	16	104-8301	2	Nut-HF, NI
8	80-6990	8	Washer-Hardened	17	3256-22	4	Washer-Flat

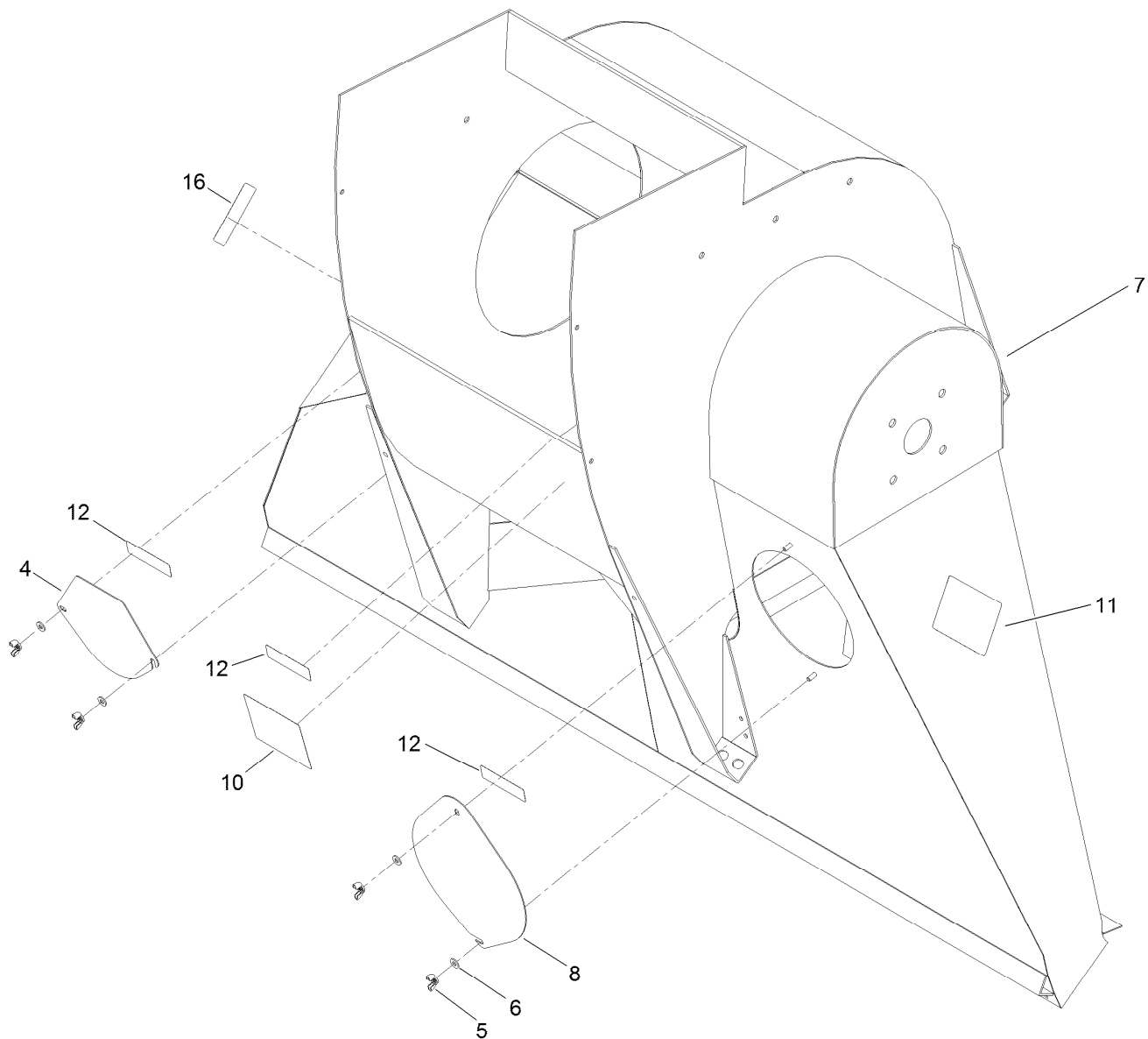
● Not serviced separately



Blower Fan and Throat Flap Assembly

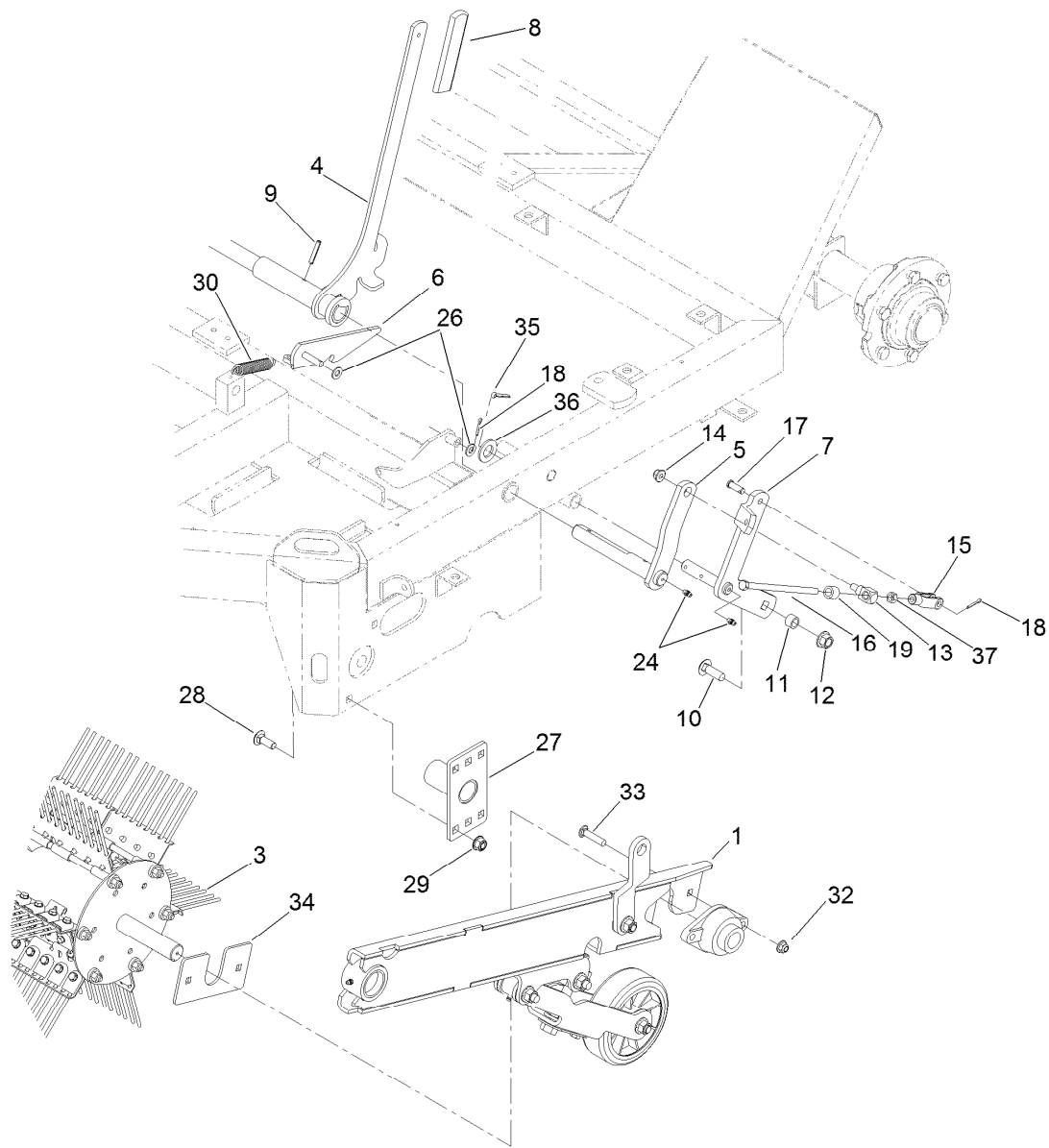
Ref.	Part Number	Qty.	Description	Ref.	Part Number	Qty.	Description
1	119-6263	1	Blower And Throat ASM	10	108-0893-03	1	Mount-Guard, Fan
2	13-3420-03	1	Fan ASM	11	325-7	4	Screw-HH
2:2		1	Fan ●	12	325-6	4	Screw-HH
2:2:5	13-2810	1	Square Key	13	32153-5	8	Nut-Hex
2:2:6	3244-14	4	Screw-Set, SQH	17	321-5	10	Screw-HH
2:2:7	3218-5	4	Nut-Jam	18	13-4700	1	Lower Flap ASM
3	56-6220	2	Bearing	18:2	13-4560-03	18	Weight-Flap
4	13-3790	1	Fan Shaft	18:3	321-8	18	Screw-HH
5	107-1549	8	Hinge-Half	18:4	3256-22	18	Washer-Flat
6	120-5960-03	1	Flap-Blade, Lower	18:5	3296-42	18	Nut-Lock, NI
7	80-2570	4	Pin-Clevis	19	13-1390-03	1	Flap Retainer
8	3229-11	16	Screw-CARR	20	3272-11	4	Pin-Cotter
9	104-7201	26	Nut-HF				

● Not serviced separately



Blower and Throat Housing Assembly

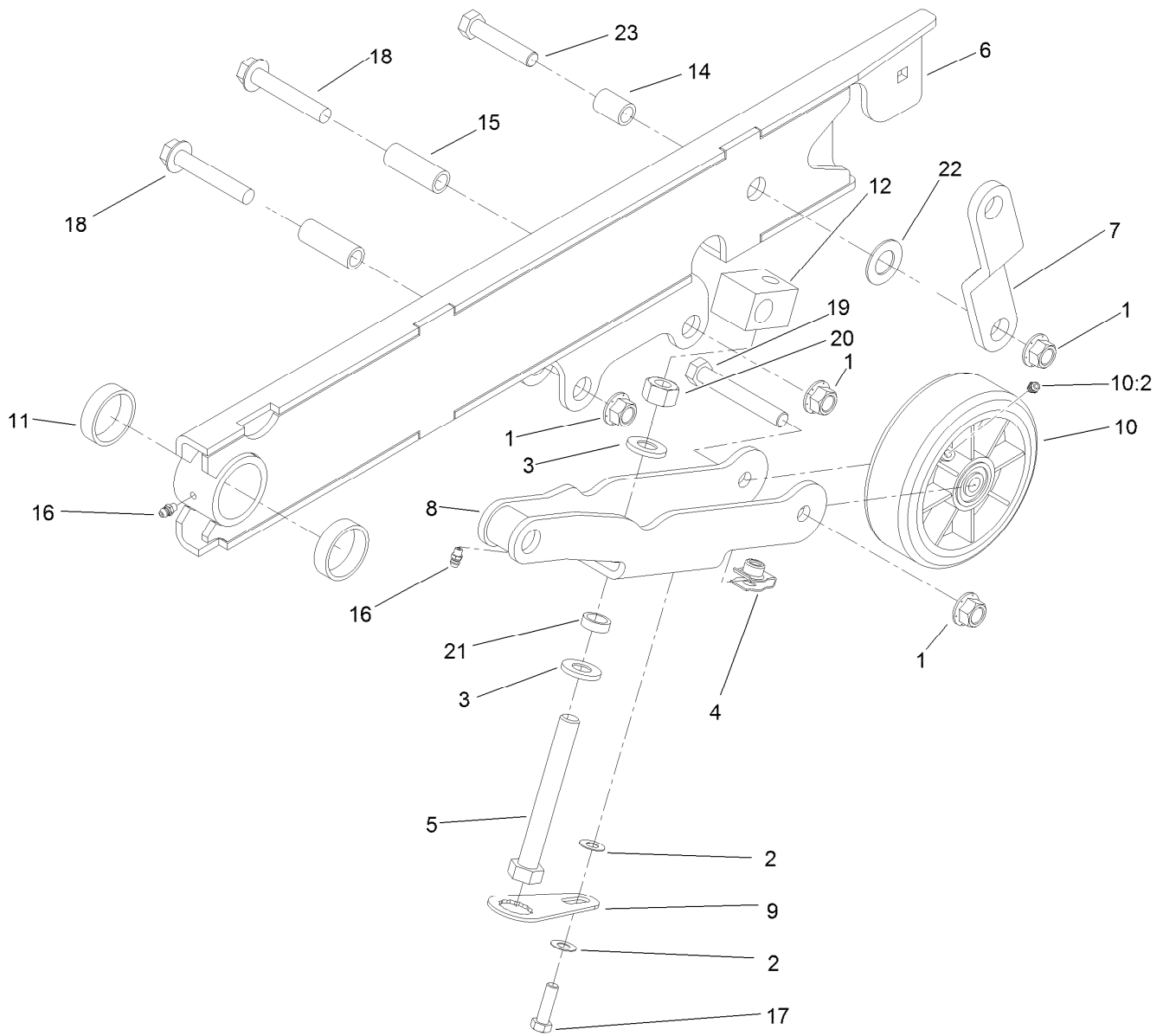
<i>Ref.</i>	<i>Part Number</i>	<i>Qty.</i>	<i>Description</i>
4	13-1420-01	1	Cover-Inspection
5	32103-12	4	Nut-Wing
6	3256-22	4	Washer-Flat
7	93-4010-01	1	Blower And Throat ASM
8	93-4020-01	1	Cover-Inspection
10	121-2839	1	Decal-Caution
11	121-2842	1	Decal-Instruction
12	121-2843	3	Decal-Warning
16	117-4979	1	Decal-Warning, Shields



Rake and Trailing Arm Assembly

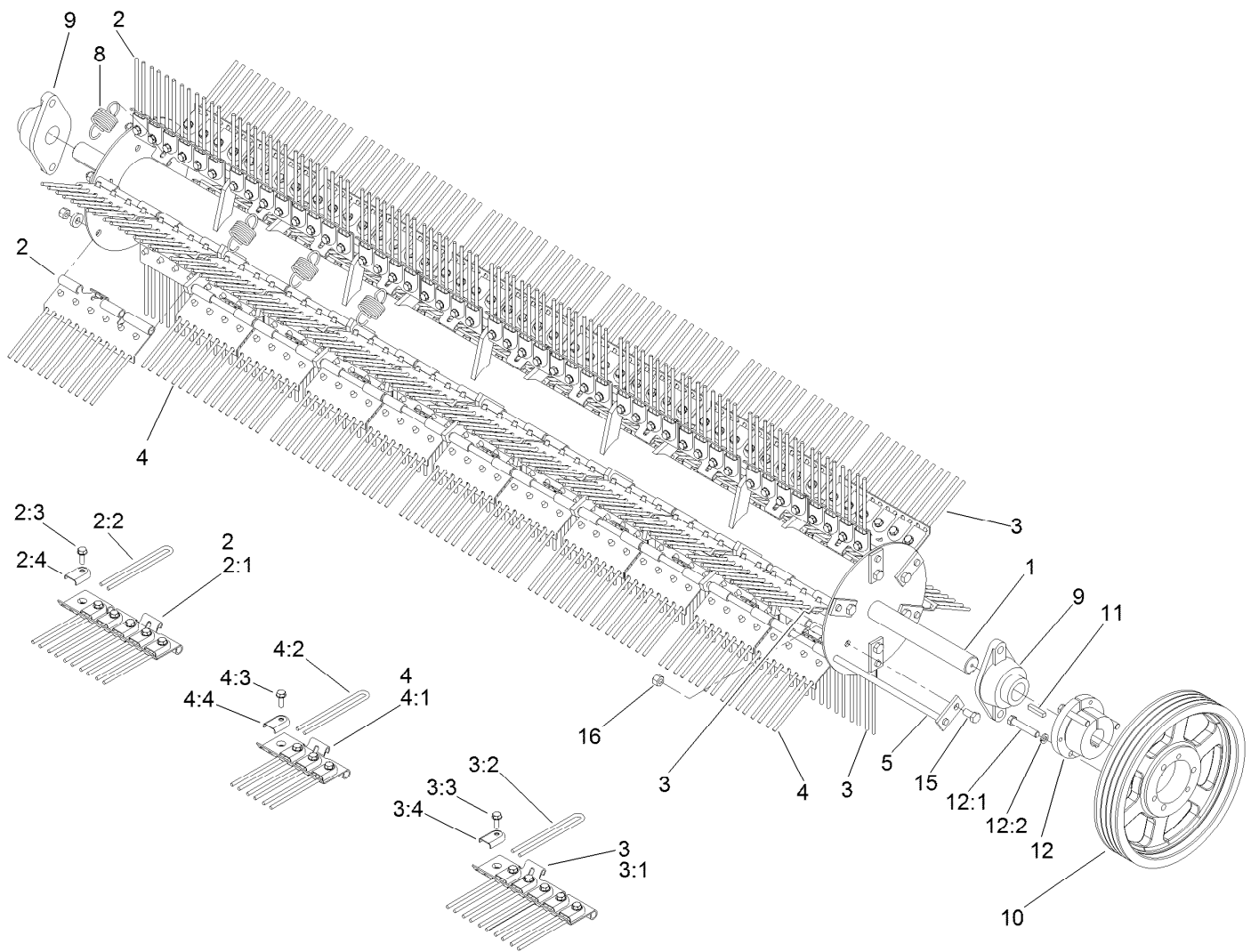
Ref.	Part Number	Qty.	Description	Ref.	Part Number	Qty.	Description
1	117-8470	1	LH Trailing Arm ASM	17	283-2	2	Pin-Clevis
3		1	Flex Tip Reel ASM ●	18	3272-10	3	Pin-Cotter
4	119-6200-03	1	Handle-Lift	19	95-8603	2	Spacer
5	119-2994	2	Crank-Lifting, Rake	24	302-5	4	Fitting-Grease
6	117-8490-03	1	Handle-Trip	26	3256-24	2	Washer-Flat
7	117-8503-03	1	Crank-Bell, Lifting LH	27	117-8506-03	1	Mount-Guard
8	105-3450	1	Grip-Lever, Lift	28	3232-3	2	Bolt-CARR
9	32121-15	2	Pin-Roll	29	114-8417	2	Nut-HF, NI
10	3233-2	1	Screw-CARR	30	13-0480	1	Spring
11	119-6188	1	Tube-Pivot	32	104-8301	2	Nut-HF, NI
12	99-5107	1	Nut-Lock	33	3231-29	2	Screw-CARR
13	13-0100	2	Pivot-Link, Rake Lift	34	119-6217-03	1	Support-Arm, Trailing
14	104-8301	2	Nut-HF, NI	35	3272-22	1	Pin-Cotter
15	282-22	2	Clevis	36	3256-28	1	Washer-Flat
16	27-7900	2	Screw-Adjusting	37	3219-3	2	Nut-Hex

● Not serviced separately



LH Trailing Arm Assembly No. 117-8470

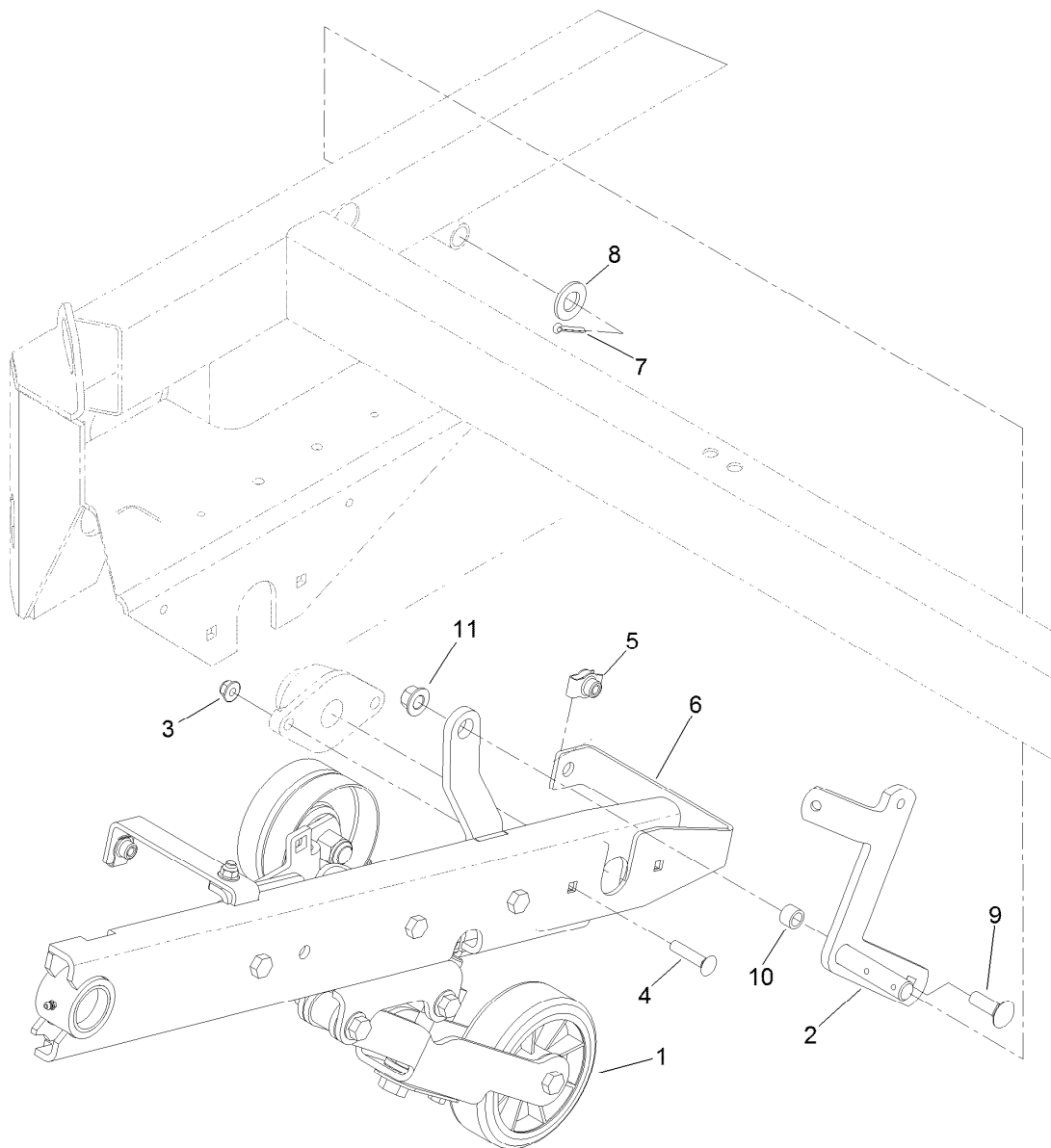
Ref.	Part Number	Qty.	Description	Ref.	Part Number	Qty.	Description
1	99-5107	4	Nut-Lock	12	119-6184	1	Block-Pivot
2	108-1438	2	Washer-Hardened	14	119-6191	1	Tube-Pivot
3	99-7667	2	Washer-Flat	15	119-6192	2	Tube-Pivot
4	112-4576	1	Nut-Clip, U	16	302-5	2	Fitting-Grease
5	112-4874	1	Screw-HH, TAP	17	323-6	1	Screw-HH
6	120-5905-03	1	Arm-Trailing	18	3234-40	2	Screw-HF
7	117-8465-03	1	Link-Lift	19	325-14	1	Screw-HH
8	119-6301-03	1	Arm-Gauge, Wheel	20	3217-11	1	Nut-Hex
9	117-8484	1	Tab-Locking	21	119-6253	1	Spacer-Limiter
10	117-8544	1	Wheel-Caster	22	69-8930	1	Washer
10:2	302-5	1	Fitting-Grease	23	325-10	1	Screw-HH
11	119-2985	2	Bushing				



Rake Assembly

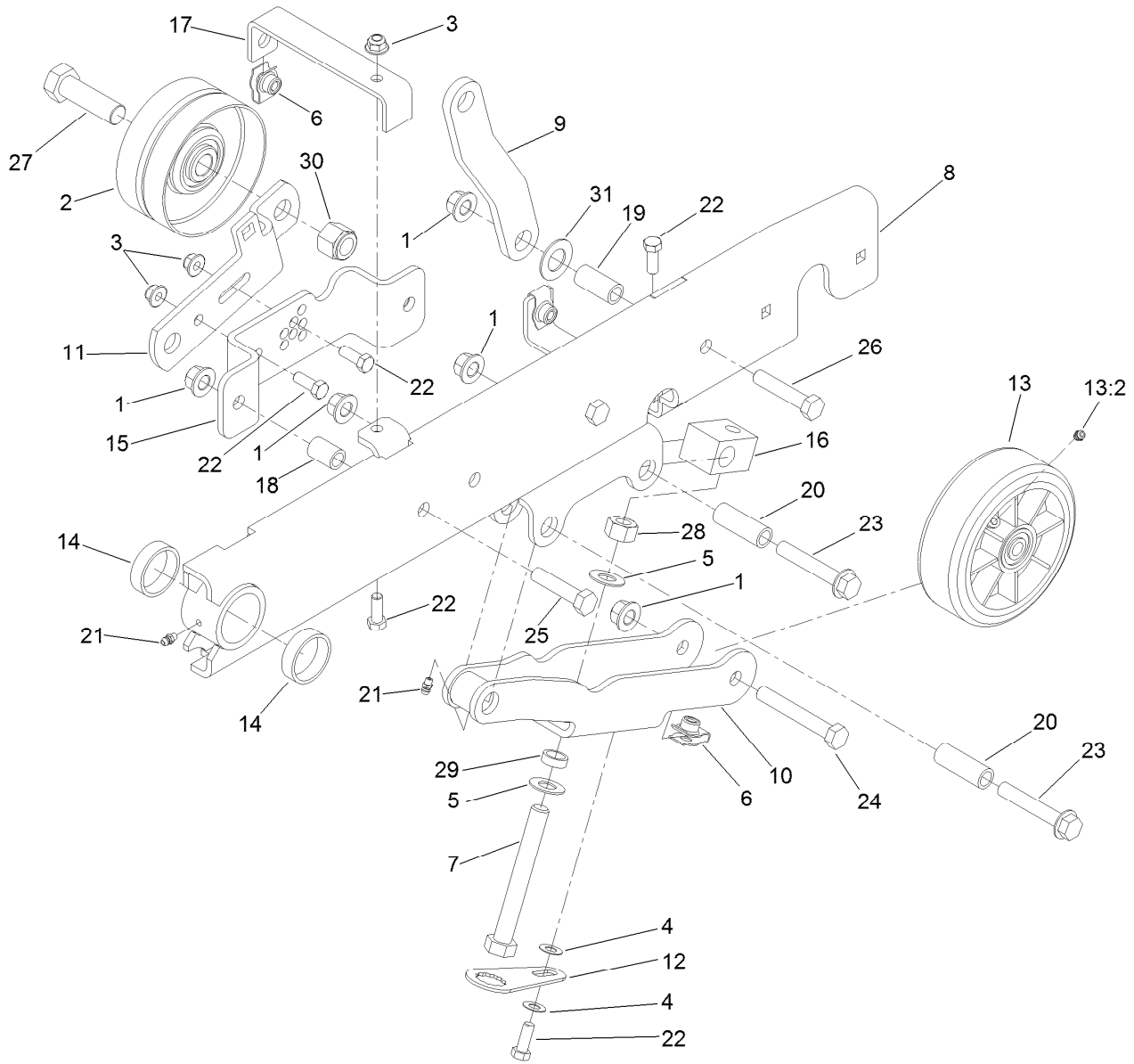
Ref.	Part Number	Qty.	Description	Ref.	Part Number	Qty.	Description
1	93-0197-01	1	Reel ASM	4:2	115-9022	4	Finger-Plastic
2		3	Left Plate ASM ●	4:3	32140-94	4	Screw-HH, Sems
2:1	115-9028	1	End Plate ASM	4:4	115-9023	4	Clamp-Finger
2:2	115-9022	6	Finger-Plastic	5	13-4960	6	Shaft-Plate, Finger
2:3	32140-94	6	Screw-HH, Sems	8	13-3090	66	Spring-Finger
2:4	115-9023	6	Clamp-Finger	9	56-6230	2	Bearing-Roller
3		3	Right Plate ASM ●	10	93-4001	1	Pulley-4 Groove
3:1	115-9026	1	End Plate ASM	11	13-2840	1	Key-Square
3:2	115-9022	6	Finger-Plastic	12	13-2680	1	Bushing
3:3	32140-94	6	Screw-HH, Sems	12:1	120-6000	3	Bolt-TAP, HH
3:4	115-9023	6	Clamp-Finger	12:2	3253-4	3	Washer-Lock
4		60	Center Plate ASM ●	15	323-4	6	Screw-HH
4:1	115-9024	1	Plate-Center	16	32152-2	12	Nut-Lock, Cone

● Not serviced separately



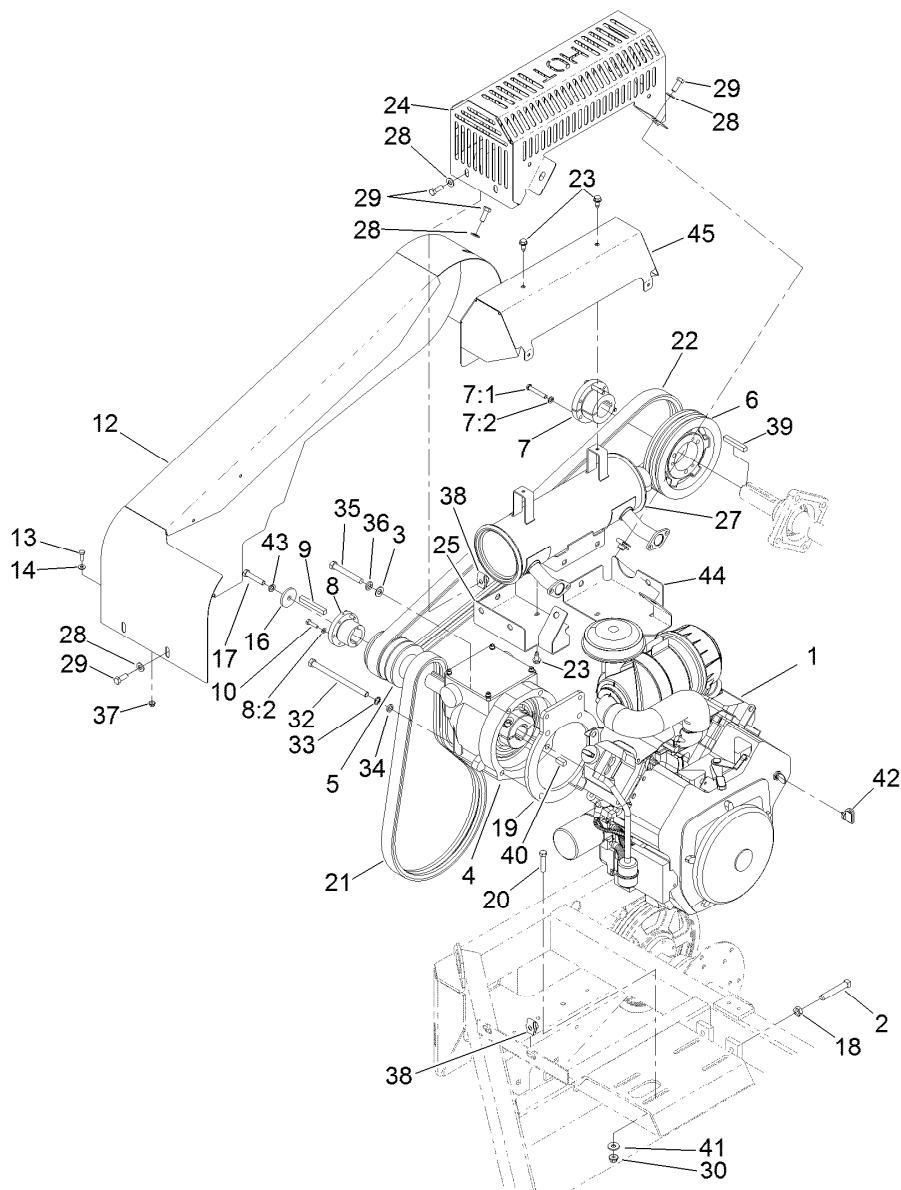
Right Hand Trailing Arm Assembly

<i>Ref.</i>	<i>Part Number</i>	<i>Qty.</i>	<i>Description</i>
1	117-8460	1	RH Trailing Arm ASM
2	117-8504-03	1	Crank-Bell, Lifting RH
3	104-8301	2	Nut-HF, NI
4	3231-29	2	Screw-CARR
5	112-4576	1	Nut-Clip, U
6	121-2771-03	1	Brace-Cover, Belt
7	3272-22	1	Pin-Cotter
8	3256-28	1	Washer-Flat
9	3233-2	1	Screw-CARR
10	119-6188	1	Tube-Pivot
11	99-5107	1	Nut-Lock



RH Trailing Arm Assembly No. 117-8460

Ref.	Part Number	Qty.	Description	Ref.	Part Number	Qty.	Description
1	99-5107	6	Nut-Lock	16	119-6184	1	Block-Pivot
2	100-7631	1	Pulley-Idler	17	121-2772-03	2	Support-Cover, Belt
3	104-8301	4	Nut-HF, NI	18	119-6189	2	Tube-Pivot
4	108-1438	2	Washer-Hardened	19	119-6191	1	Tube-Pivot
5	99-7667	2	Washer-Flat	20	119-6192	2	Tube-Pivot
6	112-4576	3	Nut-Clip, U	21	302-5	2	Fitting-Grease
7	112-4874	1	Screw-HH, TAP	22	323-6	5	Screw-HH
8	117-8461-03	1	Arm-Trailing	23	3234-40	2	Screw-HF
9	117-8465-03	1	Link-Lift	24	325-14	1	Screw-HH
10	119-6301-03	1	Arm-Gauge, Wheel	25	325-9	2	Screw-HH
11	117-8469-03	1	Bracket-Pulley	26	325-10	1	Screw-HH
12	117-8484	1	Tab-Locking	27	328-2	1	Screw-HH
13	117-8544	1	Wheel-Caster	28	3217-11	1	Nut-Hex
13:2	302-5	1	Fitting-Grease	29	119-6253	1	Spacer-Limiter
14	119-2985	2	Bushing	30	3296-51	1	Nut-Lock, NI
15	119-2992-03	1	Bracket-Adjust, Tension	31	69-8930	1	Washer



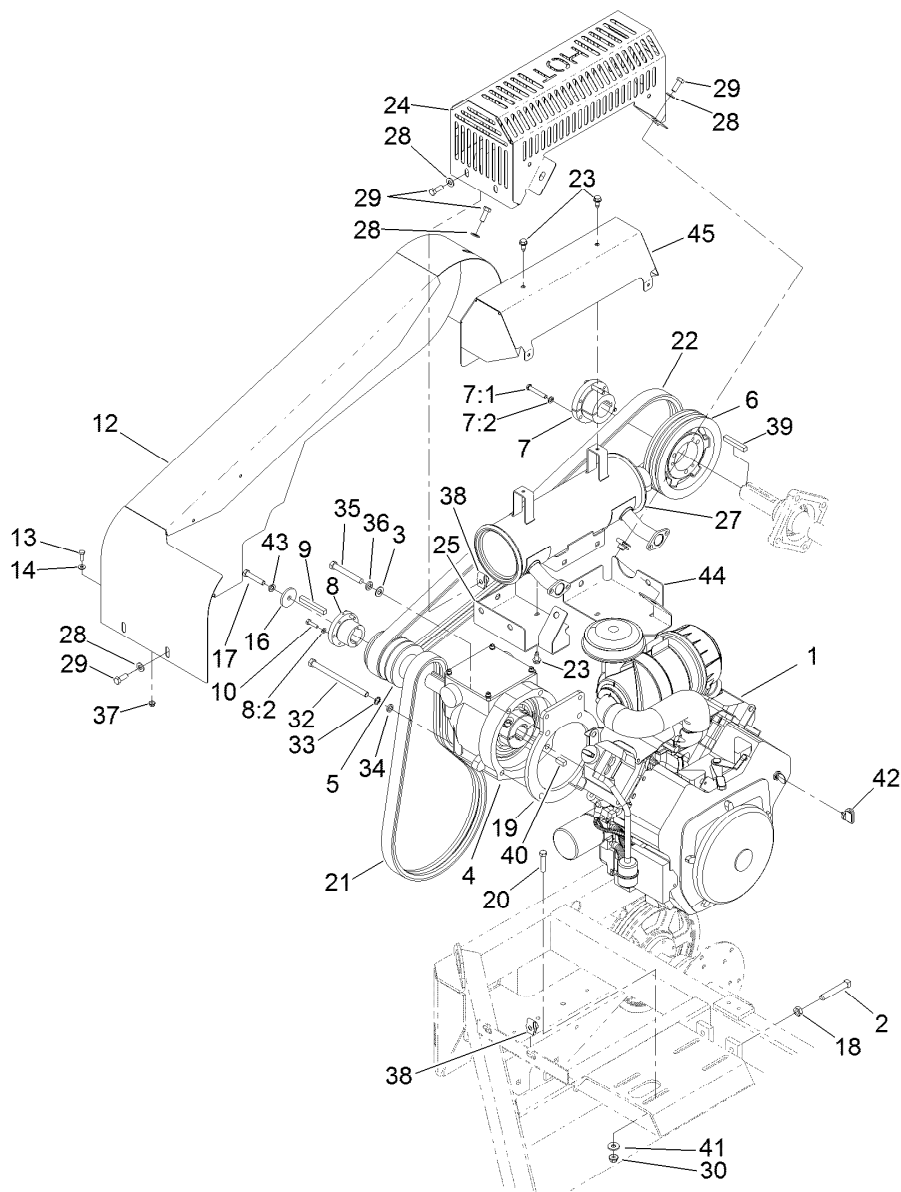
Engine, Clutch and Muffler Assembly

Ref.	Part Number	Qty.	Description	Ref.	Part Number	Qty.	Description
1		1	Engine-Kohler, Ch680-Ps660062 ■▲	16	4-1920	1	Washer
1:1	108-3847	1	Filter-Oil ●	17	323-10	1	Screw-HH
2	3244-21	2	Screw-SQH	18	3218-5	2	Nut-Jam
3	3256-25	2	Washer-Flat	19	119-6137-03	1	Plate-Adapter
4	107-1050	1	Clutch-Centrifugal	20	323-9	4	Screw-HH
5	13-3320	1	Sheave	21	13-2650	1	Belt-V
6	13-2800	1	Sheave	22	93-0183	1	Belt-V, Impeller
7	13-2970	1	Bushing	23	32104-32	6	Screw-HWH
7:1	120-6000	3	Bolt-TAP, HH	24	121-2850-03	1	Shield-Muffler
7:2	3253-4	3	Washer-Lock	25	121-2851-03	1	Shield-Heat, Front Bottom
8	13-3330	1	Bushing	27	120-5956	1	Muffler ASM
8:2	3253-3	3	Washer-Lock	28	3256-24	10	Washer-Flat
9	3-9155	1	Key-Square	29	323-6	10	Screw-HH
10	321-6	3	Screw-HH	30	104-8301	4	Nut-HF, NI
12	117-8510-03	1	Guard-Belt	32	324-31	2	Screw-HH
13	321-4	2	Screw-HH	33	3255-16	2	Washer-Lock/EXT
14	3256-22	2	Washer-Flat	34	37-4700	2	Spacer-Wheel
				35	324-13	2	Screw-HH

● Not illustrated

▲ Obtain parts from www.kohlerplus.com

■ Not serviced separately

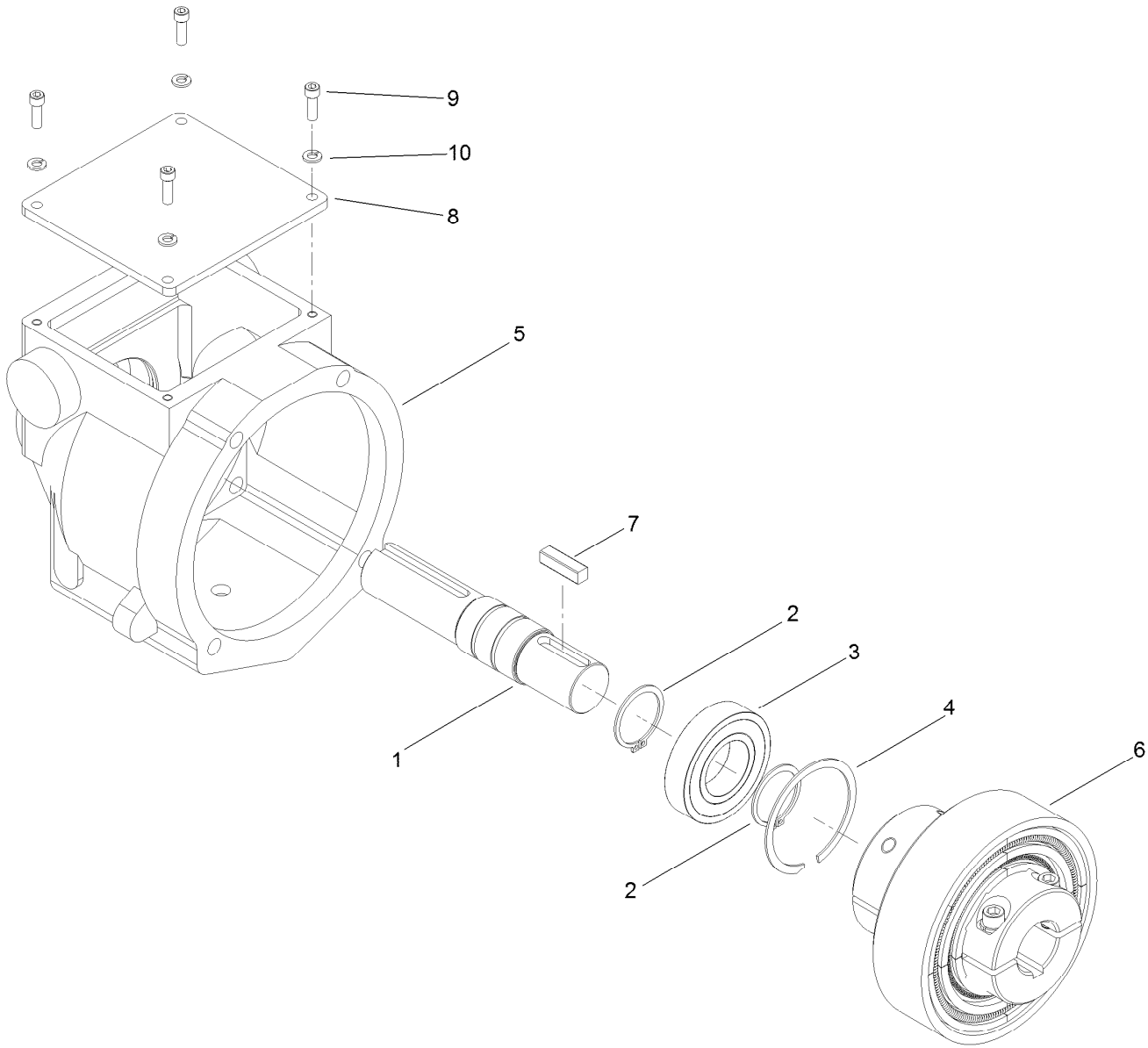


Engine, Clutch and Muffler Assembly (continued)

<i>Ref.</i>	<i>Part Number</i>	<i>Qty.</i>	<i>Description</i>	<i>Ref.</i>	<i>Part Number</i>	<i>Qty.</i>	<i>Description</i>
36	3253-6	2	Washer-Lock	41	80-6990	4	Washer-Hardened
37	104-7201	2	Nut-HF	42	63-8360	1	Key-Ignition
38	105-4886	9	Nut-Tinnerman	43	3253-21	1	Washer-Lock
39	13-2240	1	Key-Square	44	121-2848-03	1	Shield-Heat, Back Bottom
40	105-7864	1	Key-Square	45	121-2865-03	1	Shield-Heat, Inner

● Not illustrated
▲ Obtain parts from www.kohlerplus.com

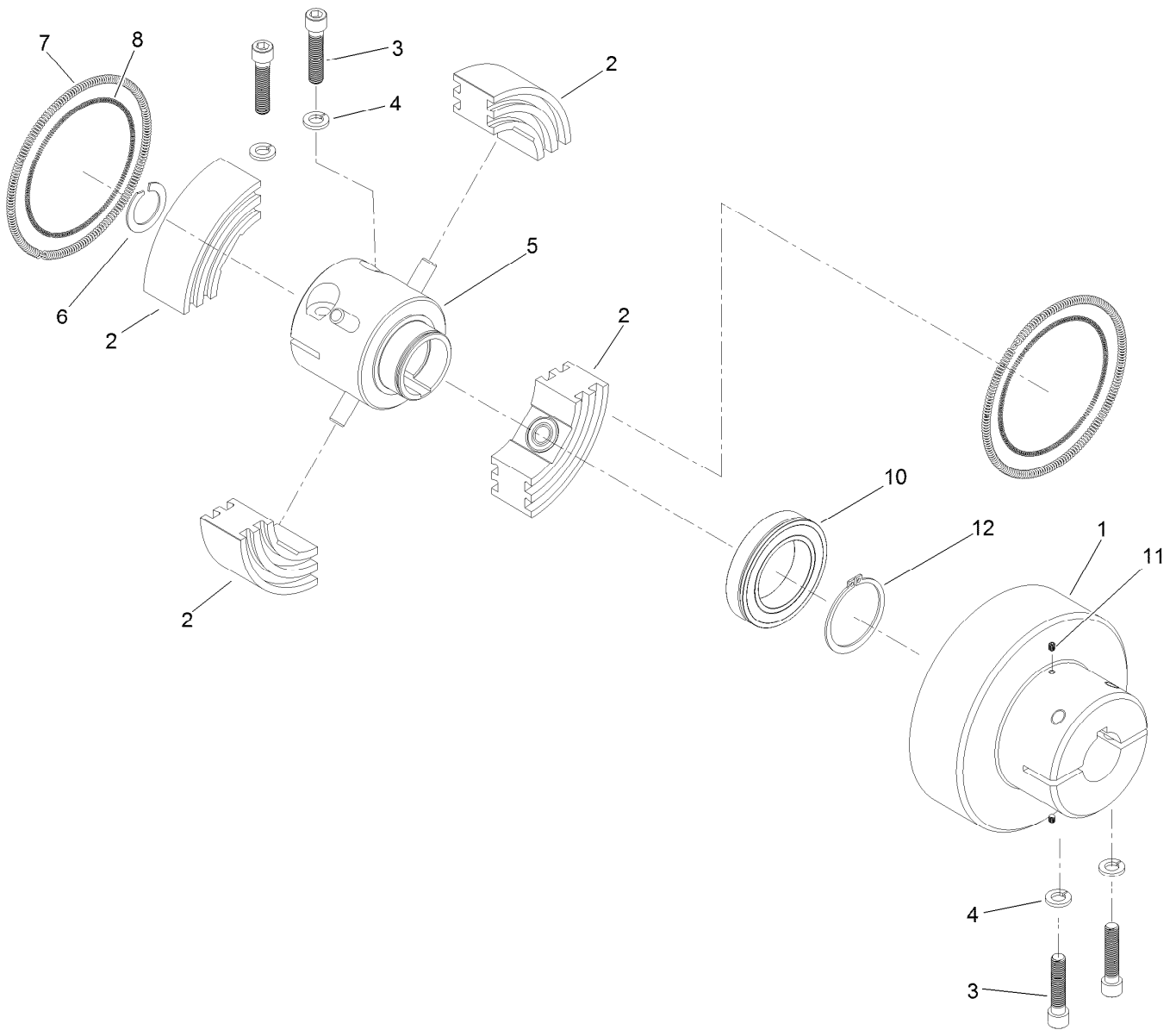
■ Not serviced separately



Centrifugal Clutch Assembly No. 107-1050

<i>Ref.</i>	<i>Part Number</i>	<i>Qty.</i>	<i>Description</i>
1	107-1052	1	Shaft
2	107-1053	2	Ring-Retaining
3	107-1054	1	Bearing
4	107-1055	1	Ring-Retaining
5		1	Housing ●
6	107-1070	1	Centrifugal Clutch ASM
7	107-1057	1	Key
8	107-1058	1	Cover
9	3274-8	4	Screw-HSH
10	3253-3	4	Washer-Lock

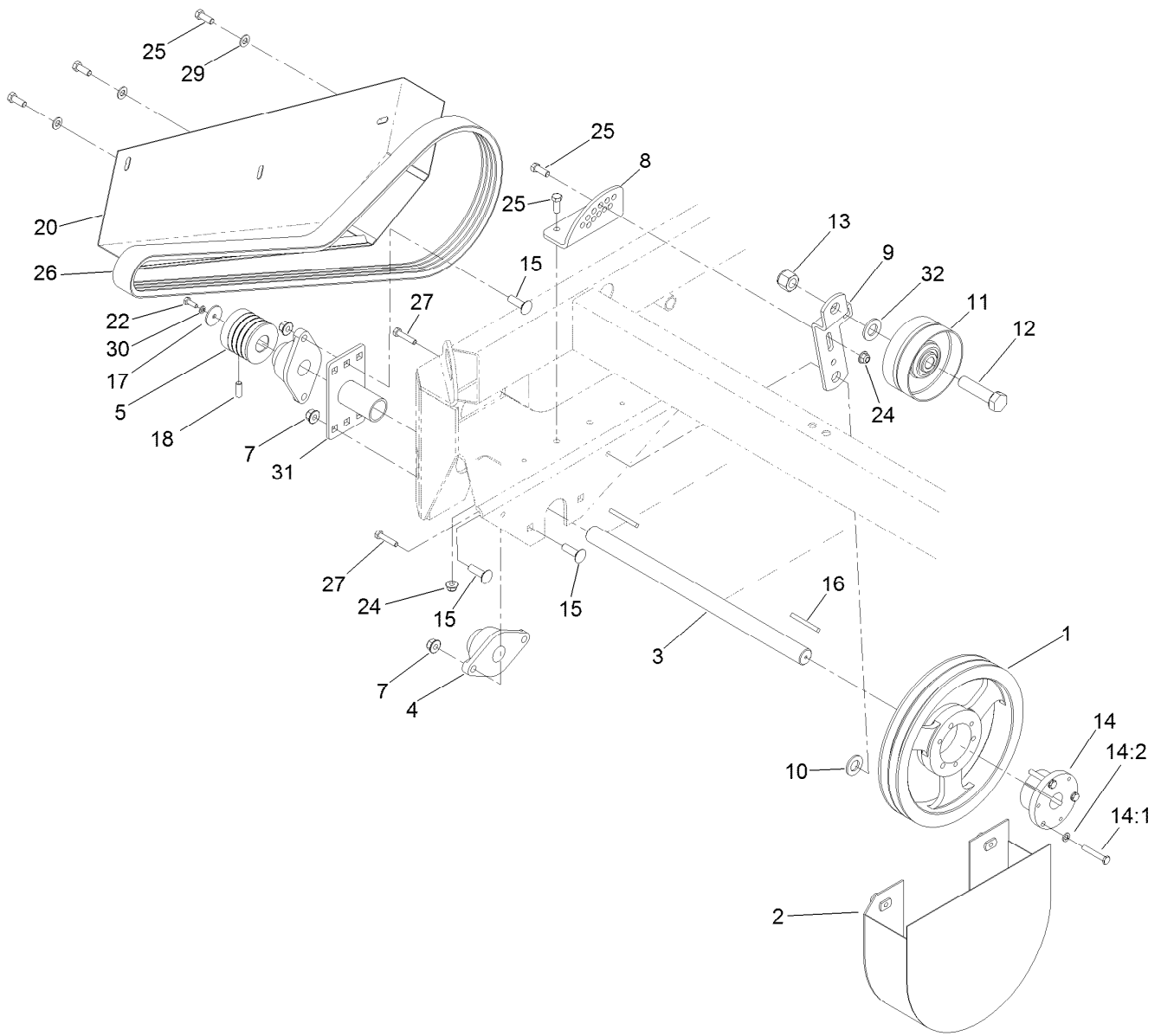
● Not serviced separately



Clutch Assembly No. 107-1070

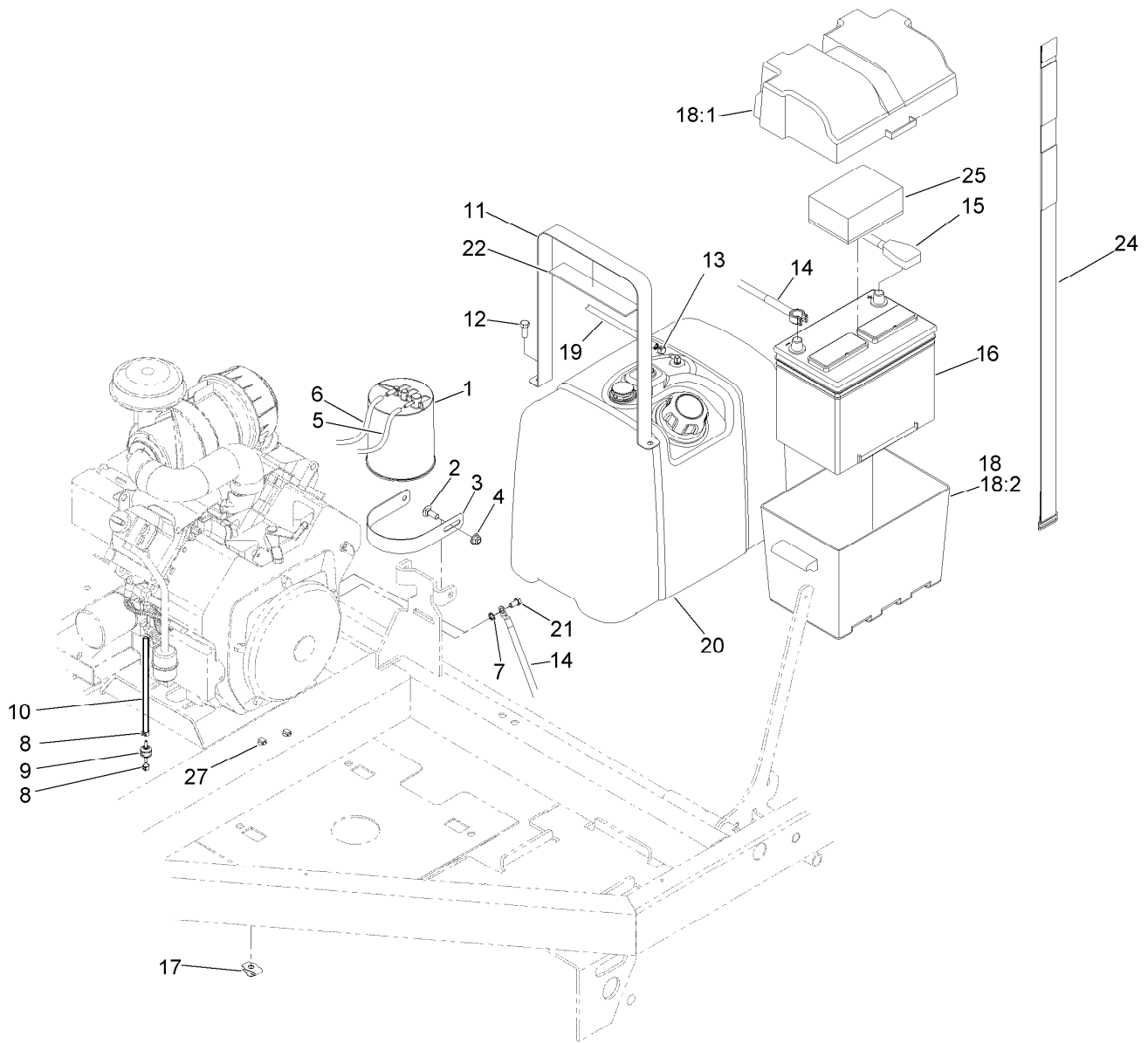
Ref.	Part Number	Qty.	Description
1		1	Housing-Clutch ●
2	107-1072	4	Shoe ASM
3	3274-3	4	Screw-HSH
4	3253-21	4	Washer-Lock
5	107-1081	1	Hub ASM
6	107-1074	1	Ring-Retaining
7	107-1075	2	Spring
8	107-1076	2	Spring
10	107-1078	1	Bearing
11	107-1079	2	Point-Cone
12	107-1080	1	Ring-Retaining

● Not serviced separately



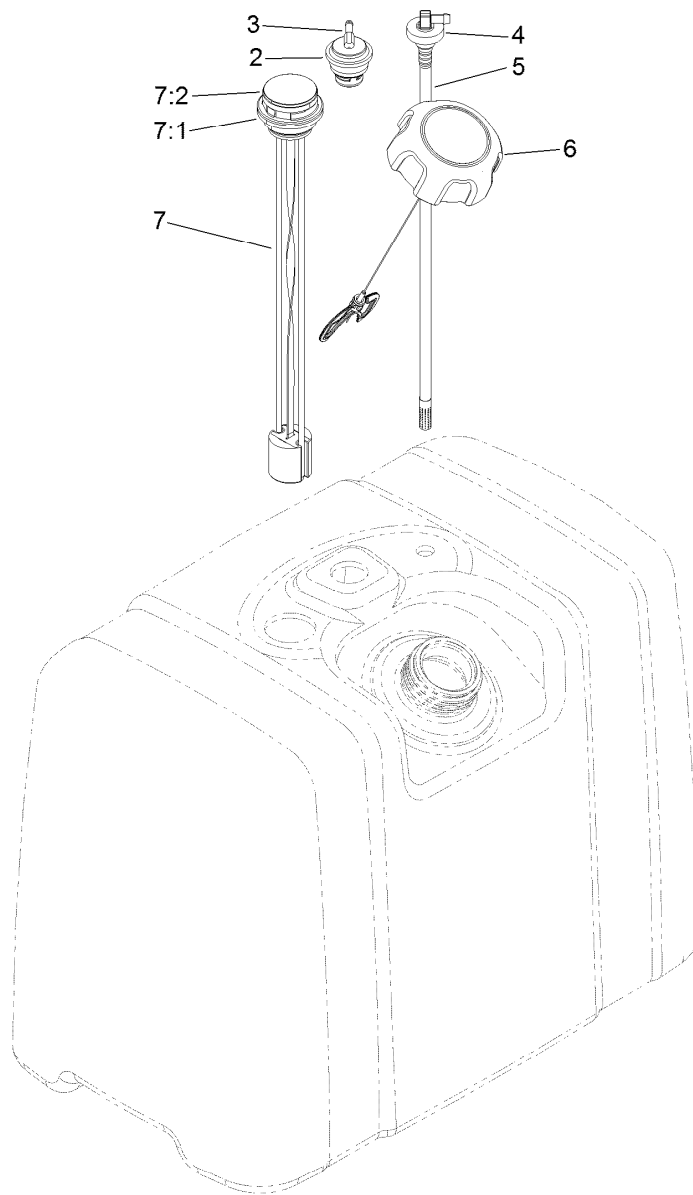
Guard Assembly

<i>Ref.</i>	<i>Part Number</i>	<i>Qty.</i>	<i>Description</i>	<i>Ref.</i>	<i>Part Number</i>	<i>Qty.</i>	<i>Description</i>
1	13-2670	1	Sheave	15	3232-3	6	Bolt-CARR
2	120-5914-03	1	Guard-Sheave	16	68-3220	2	Key-Stock
3	93-4032	1	Shaft-Jack	17	13-3710	1	Washer
4	56-6230	2	Bearing-Roller	18	3247-6	2	Screw-Set
5	93-4033-01	1	Pulley-Driver	20	121-2780-03	1	Guard-Lower, Belt
7	114-8417	6	Nut-HF, NI	22	321-4	1	Screw-HH
8	117-8538-03	1	Bracket-Idler Arm	24	104-8301	3	Nut-HF, NI
9	117-8469-03	1	Bracket-Pulley	25	323-6	6	Screw-HH
10	3-8448	1	Washer-Thrust	26	93-4034	1	V-Belt
11	100-7631	1	Pulley-Idler	27	322-7	2	Screw-HH
12	328-25	1	Screw-HH	29	3256-24	3	Washer-Flat
13	3296-51	1	Nut-Lock, NI	30	3253-3	1	Washer-Lock
14	13-2680	1	Bushing	31	117-8506-03	1	Mount-Guard
14:1	120-6000	3	Bolt-TAP, HH	32	3256-28	3	Washer-Flat
14:2	3253-4	3	Washer-Lock				



Battery and Fuel System Assembly

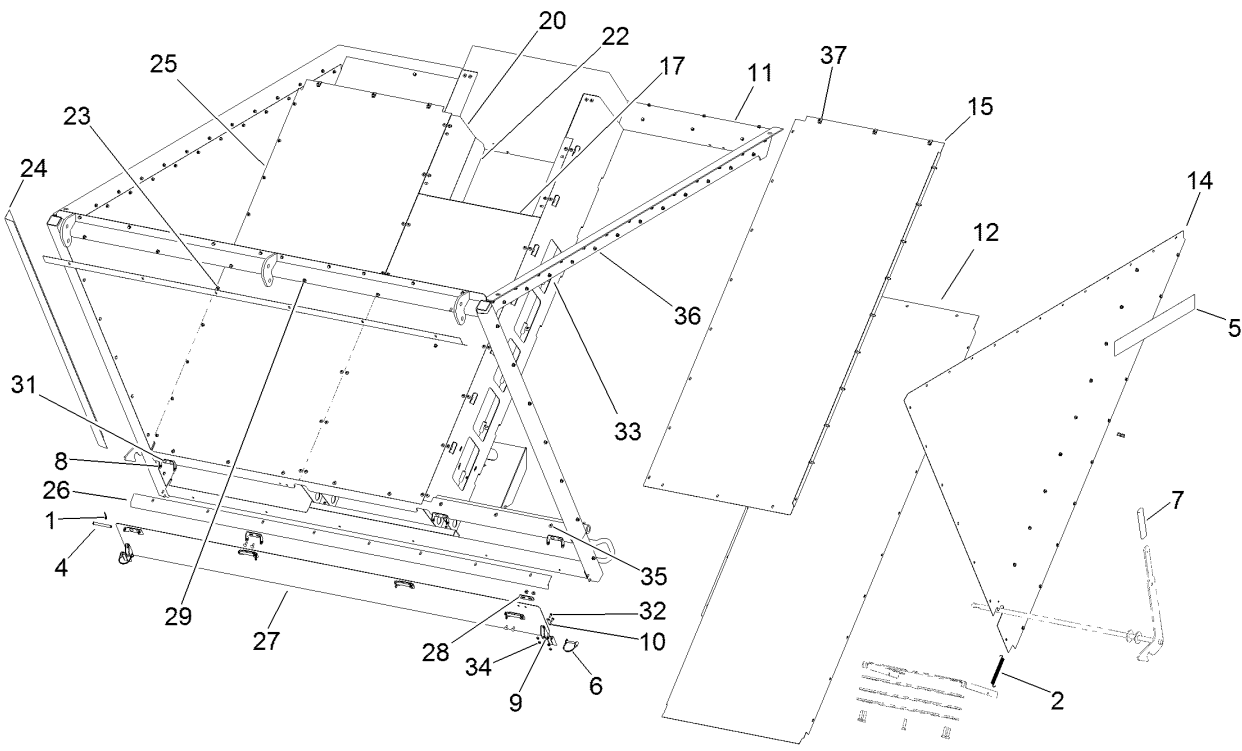
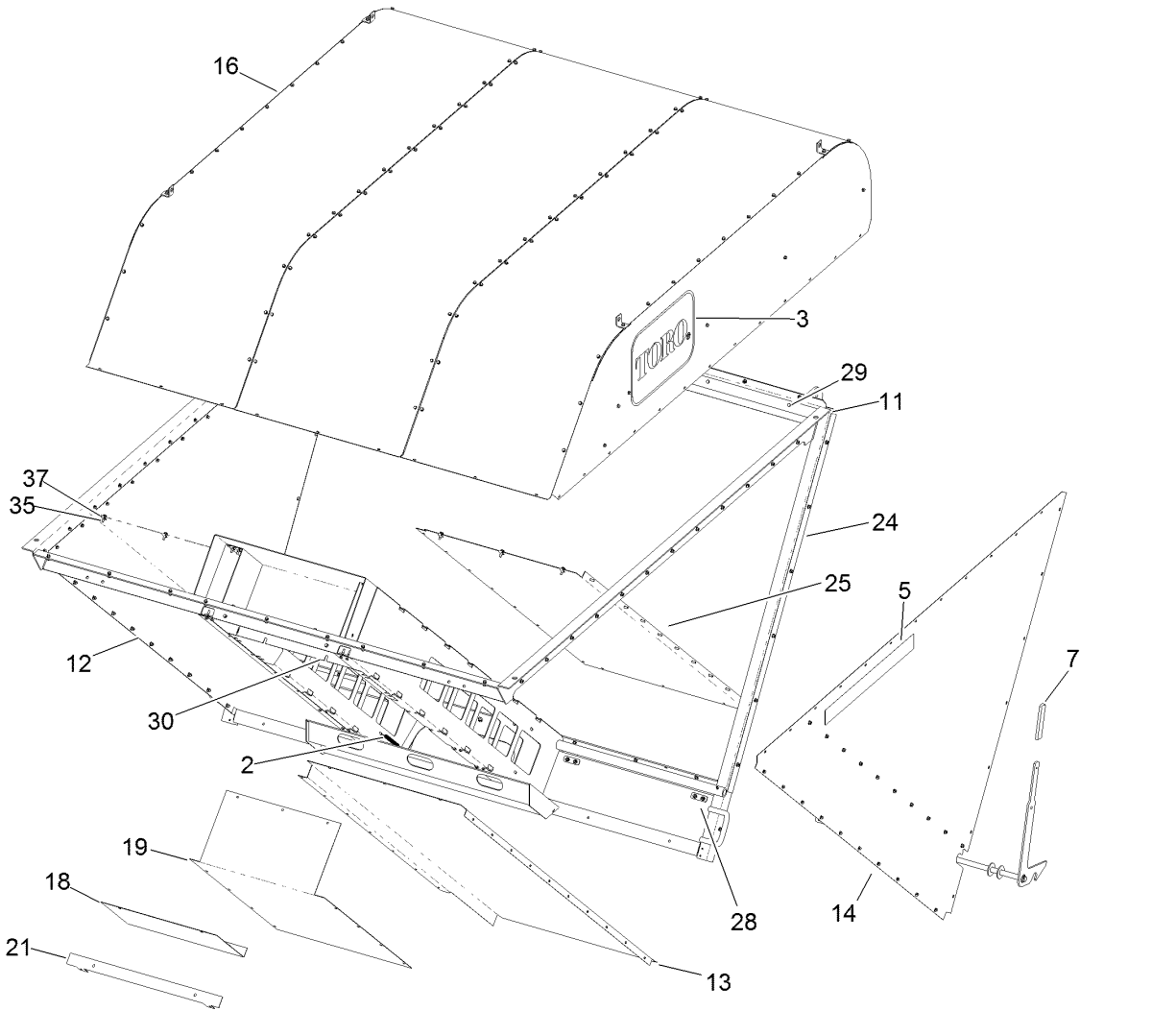
<i>Ref.</i>	<i>Part Number</i>	<i>Qty.</i>	<i>Description</i>	<i>Ref.</i>	<i>Part Number</i>	<i>Qty.</i>	<i>Description</i>
1	114-0289	1	Canister-Carbon	15	112-6808	1	Cable-Battery, Positive
2	3231-2	2	Bolt-CARR	16	106-5190	1	Battery
3	117-8399	1	Strap-Mounting	17	105-4886	4	Nut-Tinnerman
4	104-8301	2	Nut-HF, NI	18	93-7595	1	Battery Box ASM
5	110-3254	1	Hose-Fuel	18:1	105-2914	1	Top-Battery Box
6	115-7872	1	Hose-Fuel	18:2	105-2915	1	Bottom-Battery Box
7	3254-2	1	Washer-Lock, Internal	19	109-1395	1	Hose-Fuel
8	2412-80	2	Clamp-Hose	20	115-9047	1	Fuel Tank ASM
9	115-7868	1	Valve-Check, Vacuum	21	33114-016	1	Screw-HH
10	115-7871	1	Hose-Fuel	22	104-7102	2	Pad-Battery
11	119-2965	2	Strap-Tank	24	94-1445	1	Strap-Battery
12	323-6	4	Screw-HH	25	93-7968	1	Pad-Foam
13	2412-98	2	Clamp-Hose	27	32180-030	4	Clip-Tie
14	120-5908	1	Cable-Battery, Negative				



Fuel Tank Assembly No. 115-9047

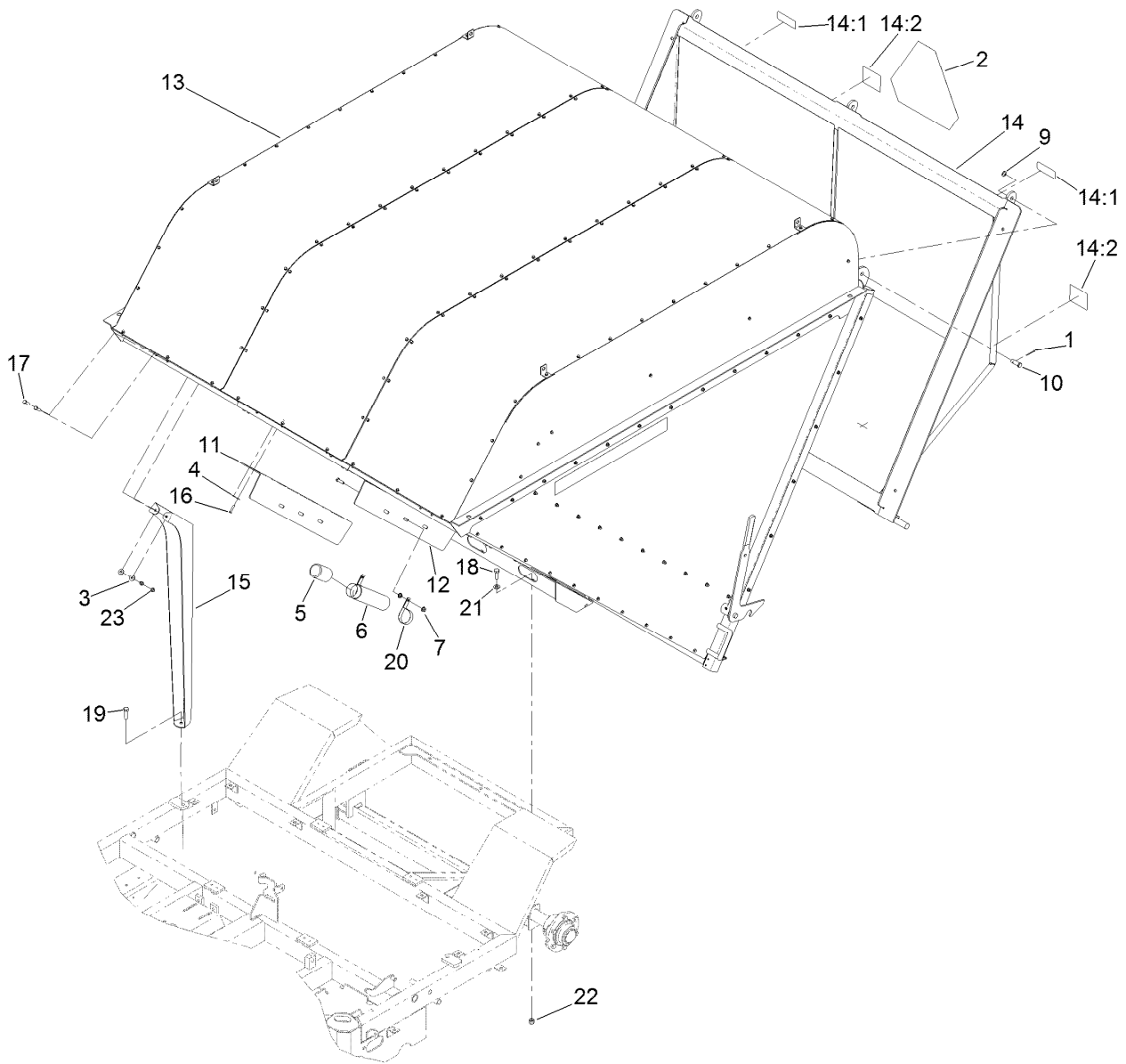
<i>Ref.</i>	<i>Part Number</i>	<i>Qty.</i>	<i>Description</i>
2	114-0284	1	Grommet
3	114-0285	1	Valve-Rollover
4	46-6560	1	Bushing
5	115-9046	1	Stand Pipe
6	115-7788	1	Cap-Fuel
7	119-0507	1	Gauge-Fuel
7:1	119-0508	1	Seal
7:2	117-8404	1	Dial-Gauge

Hopper Assembly



Hopper Assembly (continued)

<i>Ref.</i>	<i>Part Number</i>	<i>Qty.</i>	<i>Description</i>	<i>Ref.</i>	<i>Part Number</i>	<i>Qty.</i>	<i>Description</i>
1	9335044	4	Pin-Hair	19	120-6163-01	1	Panel-Center, Lower
2	12-8810	2	Spring-Extension	20	120-6164-01	2	Panel-Closeoff
3	67-7920	2	Decal	21	120-6166-01	1	Panel-Upper Closeoff
4	80-2570	4	Pin-Clevis	22	120-6167-01	2	Seal-Chute, Side
5	93-0184	2	Decal-Hopper	23	120-6168-01	1	Seal-Door, Top
6	100-1663	2	Pin-Hitch	24	120-6169-01	2	Seal-Door, Top
7	105-3450	2	Grip-Lever, Lift	25	120-6173	1	Panel-Floor, LH Side
8	107-1549	8	Hinge-Half	26	121-2767-01	1	Seal-Door, Bottom
9	119-6227	4	Bracket-Attachment, Chute Extension	27	121-2768-01	1	Screen, Floor
10	119-6230	2	Mount-Nozzle	28	121-2769	4	Plate-Hinge Backing
11	120-6150	1	Hopper Frame ASM	29	321-15	20	Screw-HH
12	120-6156-01	1	Panel-Bottom, RH	30	321-8	12	Screw-HH
13	120-6157-01	1	Panel-Bottom, LH	31	3229-11	16	Screw-CARR
14	120-6158-01	2	Panel-Side	32	3229-34	8	Screw-CARR
15	120-6159	1	Panel-Floor, RH Side	33	3234-33	121	Screw-HHF
16	120-6160	1	Hopper Roof ASM	34	3296-2	8	Nut-Lock, NI
17	120-6161	1	Panel-Center, Inside	35	32105-32	53	Screw-TTH
18	120-6162-01	1	Panel-Housing, Upper	36	32128-32	165	Nut-HHF
				37	107069	9	Clip



Hopper and Hood Assembly

<i>Ref.</i>	<i>Part Number</i>	<i>Qty.</i>	<i>Description</i>	<i>Ref.</i>	<i>Part Number</i>	<i>Qty.</i>	<i>Description</i>
1	1-806800	3	Pin-Cotter	14	120-6175	1	Door-Hopper
2	13-2930	1	Decal	14:1	121-2840	2	Decal-Caution
3	80-6990	4	Washer-Hardened	14:2	121-2841	2	Decal-Warning
4	100-2400	16	Washer	15	121-2654-01	2	Support-Hopper
5	104-7048	1	Cap-Housing	16	321-8	16	Screw-HH
6	104-7050	1	Tube-Manual	17	323-7	10	Screw-HH
7	104-8301	8	Nut-HF, NI	18	325-6	3	Screw-HH
9	107-3041	3	Washer-Flat	19	325-7	2	Screw-HH
10	119-6242	3	Pin-Hinge	20	2412-133	2	Clamp-R
11	120-6141-01	1	Bracket-Blower, RH	21	3256-26	3	Washer-Flat
12	120-6142-01	1	Bracket-Blower, LH	22	3296-23	5	Nut-Lock, NI
13	120-6170	1	Hopper ASM	23	3296-39	4	Nut-Lock, NI

Attachments and Accessories

For 07055 Dust-Control 66in Rake-O-Vac Sweeper

Product Name

Model/Part

Spark Arrestor Screen 94-8157

Notes:

Notes:



Count on it.