



Count on it.

Parts Catalog

Multi-Pro 1200 Turf Sprayer

Model No. 41199—Serial No. 313000001 and Up



Ordering Replacement Parts

To order replacement parts, please supply the part number, the quantity, and the description of each part desired.

Understanding Reference Numbers

Each identified part in an illustration has a reference number. The reference number for a part also appears in the parts list, along with other information about the part.

This catalog uses two special reference number formats, one to indicate parts in a service assembly and another to indicate the quantity of a given part in an illustration.

Service Assembly Reference Numbers

Parts in service assemblies have reference numbers in the form a:b. The a represents the reference number of the entire service assembly and the b represents a sequential number unique to each part within the service assembly.

For example, a wheel assembly might be identified by reference number 6, the tire by 6:1, the valve by 6:2, and the wheel by 6:3. When you order the assembly identified by reference number 6, you receive all parts identified by reference numbers 6:1, 6:2, and 6:3. However, you may also order any part individually. Reference numbers of this type appear in illustration and in parts lists.

Reference Numbers Indicating Quantity

In an illustration, if a reference number indicates more than one part, the reference number has the form nX y. The n represents the quantity of the part, the X is the multiplication symbol, and the y represents the reference number.

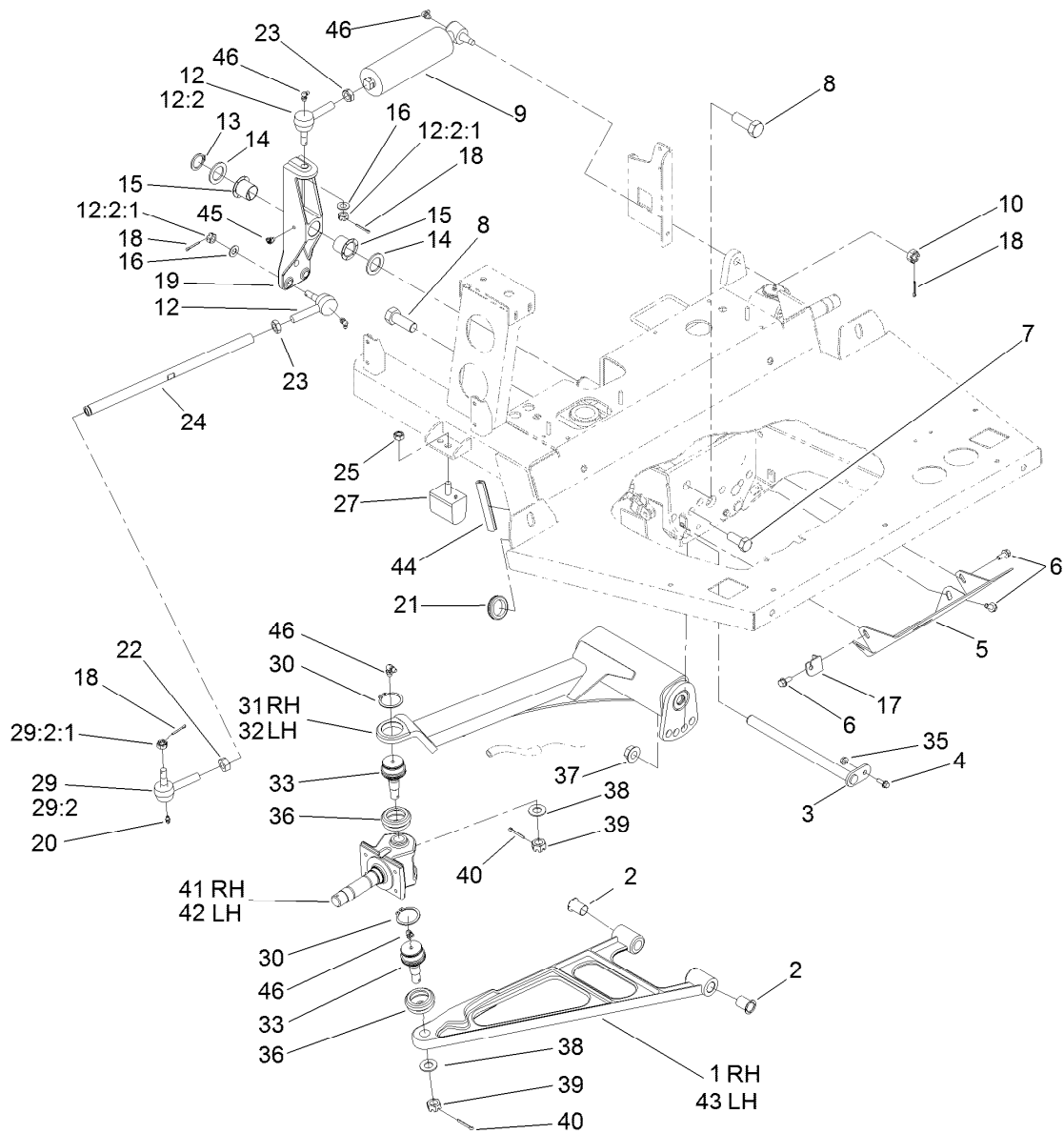
For example, in an illustration, the reference number 2X 37 means that two of the parts identified by reference number 37 are indicated.

Contents

| | |
|--|----|
| Front Suspension Assembly | 5 |
| Hydraulic Cylinder Assembly No. 100-8278 | 7 |
| Engine Cover Assembly | 8 |
| Seat Support Assembly | 10 |
| Brake and Accelerator Pedal Assembly | 11 |
| Master Cylinder Assembly No. 94-3800 | 12 |
| Rear Fender and Battery Mount Assembly | 13 |
| Fresh Water and Fuel Tank Assembly | 14 |
| Fuel Tank Assembly No. 115-9048 | 15 |
| Main Tank Assembly | 16 |
| Spray Tank Lid Assembly No. 119-9380 | 17 |
| Shifter Assembly | 18 |
| Parking Brake and Console Assembly | 20 |
| Front Wheel Assembly | 22 |
| Front Brake Assembly No. 100-8285 | 23 |
| Transaxle Installation Assembly | 24 |
| Case Assembly Transaxle Assembly No. 104-9078 | 25 |
| Gear Shaft Assembly Transaxle Assembly No. 104-9078 | 27 |
| Countershaft Assembly Transaxle Assembly No. 104-9078 | 28 |
| Shift Fork Assembly Transaxle Assembly No. 104-9078 | 29 |
| Differential Gear Assembly Transaxle Assembly No. 104-9078 | 30 |
| Drive Shaft Assembly No. 119-6040 | 31 |
| Rear Wheel and Brake Assembly | 32 |
| LH Rear Brake Assembly No. 112-7961 | 33 |
| RH Rear Brake Assembly No. 112-7962 | 34 |
| Driveshaft Assembly No. 98-2918 | 35 |
| Engine and Gearbox Assembly | 36 |
| Pump Drive Gearbox Assembly No. 119-6043 | 38 |
| Secondary Clutch Assembly No. 119-6011 | 39 |
| Steering Pump Assembly No. 100-8302 | 40 |
| Primary Clutch Assembly No. 119-6010 | 41 |
| Pump Assembly | 42 |
| Pump Assembly No. 106-5121 | 43 |
| Hydraulic Brake Line Assembly | 44 |
| Tank and Saddle Assembly | 45 |
| Throttle Linkage Assembly | 46 |
| Exhaust Assembly | 47 |
| Electrical Panel Assembly | 48 |
| Manual Control Assembly | 49 |
| Main On/Off Valve Assembly No. 106-4881 | 50 |
| Pressure Control Valve Assembly No. 106-4883 | 51 |
| Boom Valve Assembly No. 106-4882 | 52 |
| Flow Meter Assembly No. 106-4884 | 53 |
| Hydraulic Hose Routing Assembly | 54 |
| Steering Valve Assembly No. 114-5076 | 55 |
| Sprayer Component Assembly No. 1 | 56 |
| Pressure Damper Assembly No. 100-6662 | 57 |
| Sprayer Component Assembly No. 2 | 58 |
| Top Mounted Suction Assembly | 59 |
| Sprayer Component Assembly No. 3 | 60 |
| Safety Valve Assembly No. 100-6820 | 61 |
| Hose Assembly No. 1 | 62 |
| Hose Assembly No. 2 | 64 |
| Boom Mount Assembly | 67 |

Contents (continued)

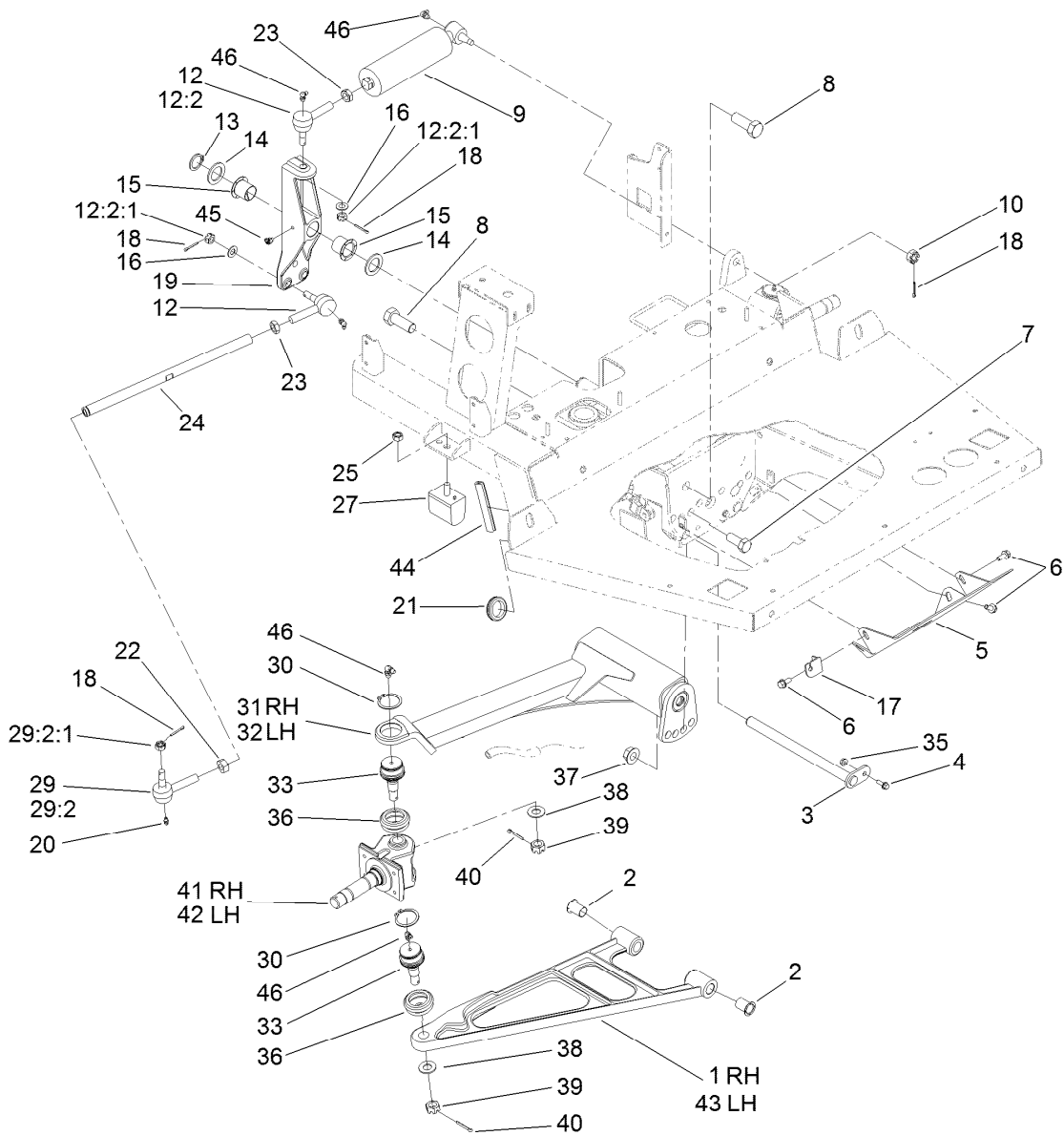
| | |
|---|----|
| Right Hand Boom Mount Assembly | 68 |
| Left Hand Boom Mount Assembly | 69 |
| Center Boom Assembly..... | 70 |
| Left and Right Hand Boom Assembly | 72 |
| RH Single Body Turret Assembly No. 108-3726 | 73 |
| LH Single Turret Body Assembly No. 108-3725 | 74 |
| Double Turret Body Assembly No. 108-3727 | 75 |
| Attachments and Accessories | 76 |



Front Suspension Assembly

| Ref. | Part Number | Qty. | Description | Ref. | Part Number | Qty. | Description |
|--------|-------------|------|------------------|--------|-------------|------|--------------------------|
| 1 | 108-3317-03 | 1 | A-Arm, RH | 18 | 3272-11 | 6 | Pin-Cotter |
| 2 | 100-8541 | 4 | Bushing-A Arm | 19 | 108-3670 | 1 | Pivot-Steering |
| 3 | 100-8544 | 2 | Pivot Pin ASM | 20 | 302-5 | 2 | Fitting-Grease |
| 4 | 3234-17 | 2 | Screw-HHF | 21 | 240-3 | 1 | Grommet-Rubber |
| 5 | 108-3671-03 | 1 | Plate-Skid | 22 | 3218-21 | 2 | Nut-Jam |
| 6 | 3234-5 | 4 | Screw-HHF | 23 | 3220-11 | 3 | Nut-Jam |
| 7 | 327-4 | 2 | Screw-HH | 24 | 100-8534 | 2 | Tie Rod-Steering |
| 8 | 328-24 | 4 | Screw-HH | 25 | 48-9520 | 2 | Nut |
| 9 | 100-8278 | 1 | HYD Cylinder ASM | 27 | 87-3470 | 2 | Bumper |
| 10 | 32136-13 | 1 | Nut-SHH | 29 | 112771-03 | 2 | Joint-Ball, LH |
| 12 | 112772-03 | 3 | Joint-Ball, RH | 29:2 | | 1 | Joint-Ball, LH ● |
| 12:2 | | 1 | Joint-Ball, RH ● | 29:2:1 | 915031 | 1 | Nut |
| 12:2:1 | 915031 | 1 | Nut | 30 | 32151-104 | 4 | Ring-Retaining, External |
| 13 | 100-6785 | 1 | Ring-Retaining | 31 | 100-8414 | 1 | RH Axle ASM |
| 14 | 3-6781 | 2 | Washer-Thrust | 32 | 100-8413 | 1 | LH Axle ASM |
| 15 | 256-318 | 2 | Bearing-Nyliner | 33 | 87-1430 | 4 | Joint-Ball |
| 16 | 3256-25 | 3 | Washer-Flat | 35 | 32128-20 | 2 | Nut-HF |
| 17 | 108-3556 | 1 | Bracket-Cable | 36 | 87-2420 | 4 | Seal-Joint, Ball |

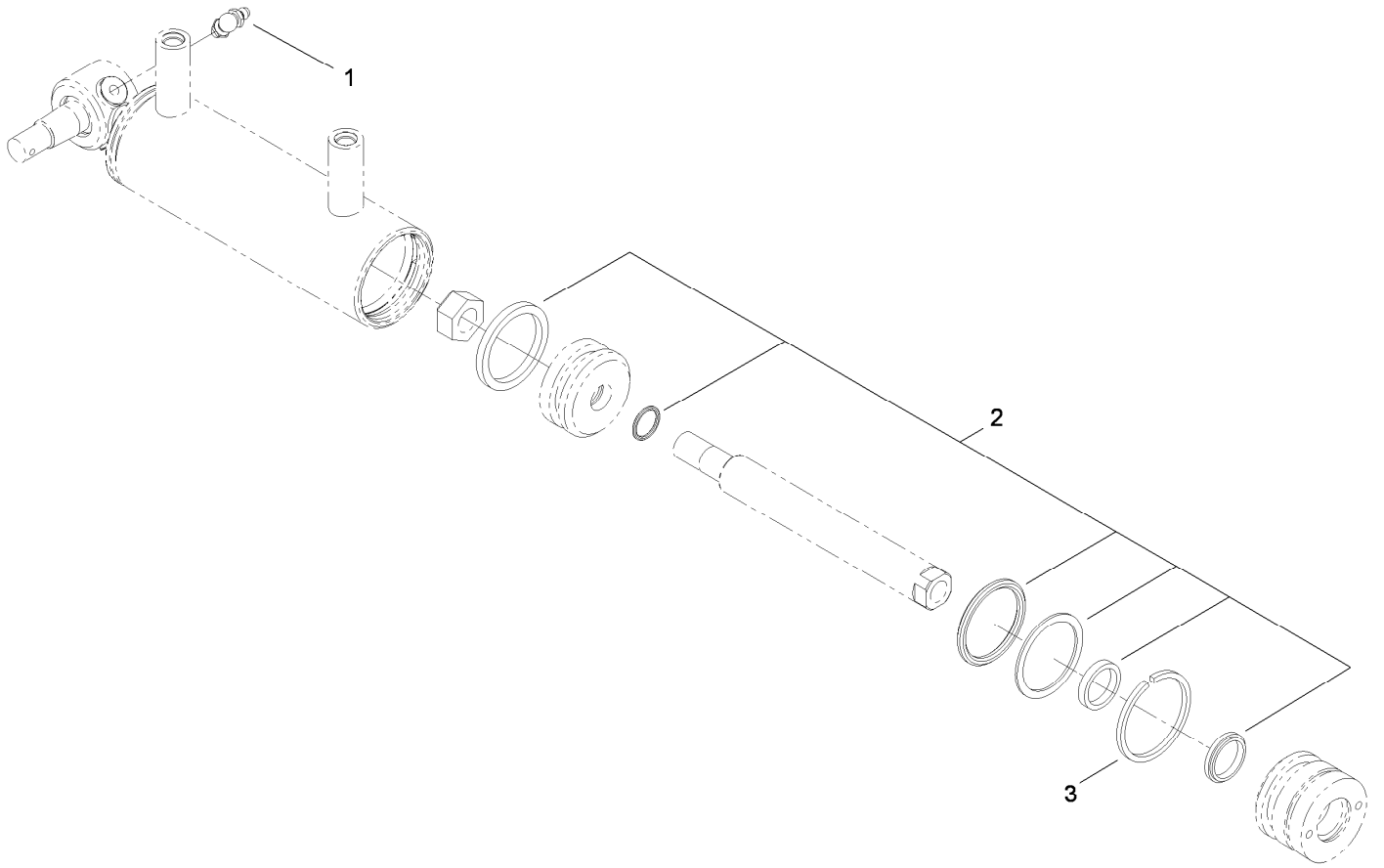
● Not serviced separately



Front Suspension Assembly (continued)

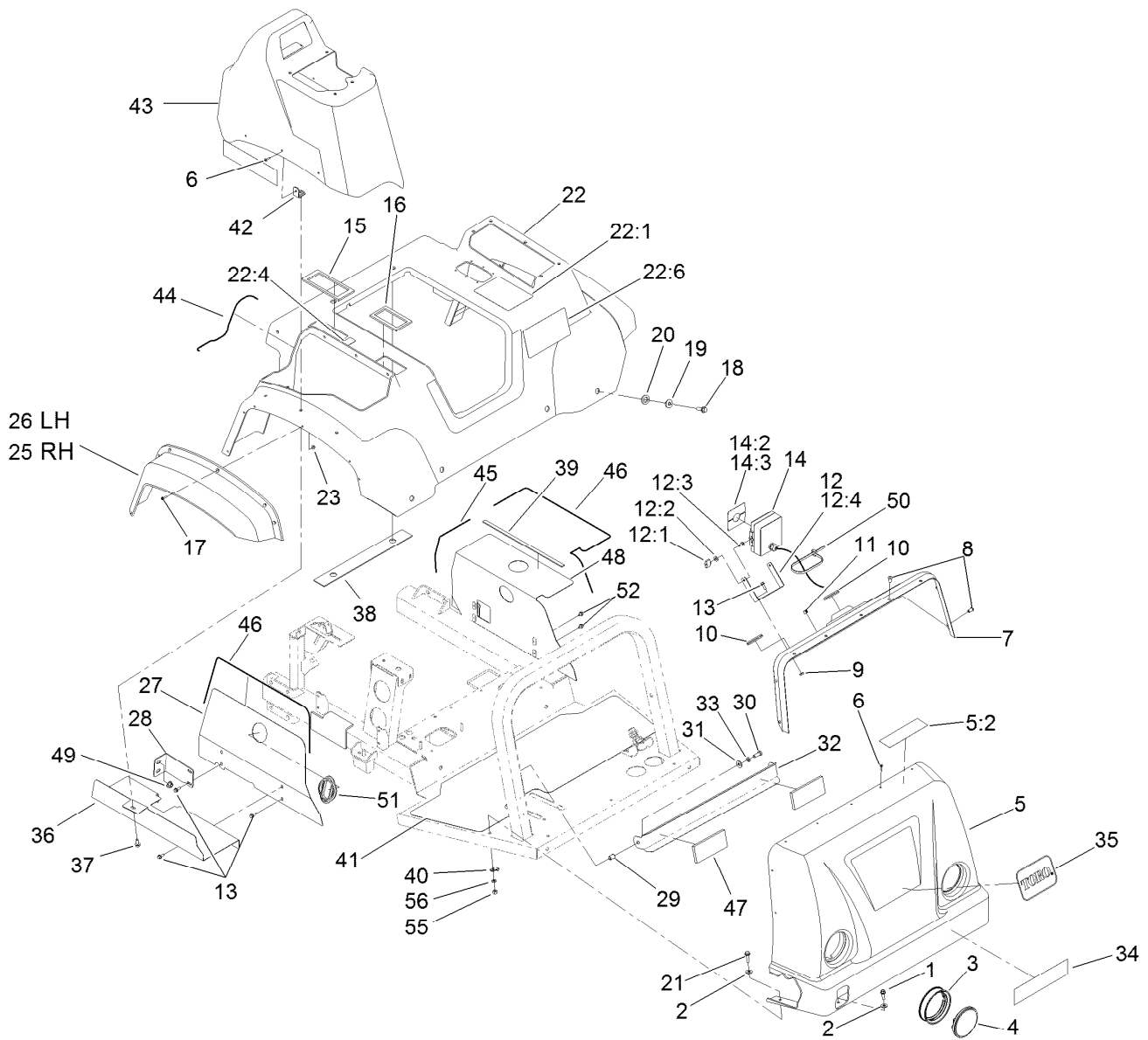
| Ref. | Part Number | Qty. | Description | Ref. | Part Number | Qty. | Description |
|------|-------------|------|-------------|------|-------------|------|----------------------|
| 37 | 32128-50 | 2 | Nut-Flange | 42 | 108-3354 | 1 | Spindle-LH |
| 38 | 3256-27 | 4 | Washer-Flat | 43 | 108-3318-03 | 1 | A-Arm, LH |
| 39 | 32136-2 | 4 | Nut-SHH | 44 | 108-3653 | 1 | Trim-Edge |
| 40 | 3272-17 | 4 | Pin-Cotter | 45 | 302-11 | 1 | Fitting-Lube, 45 DEG |
| 41 | 108-3353 | 1 | Spindle-RH | 46 | 302-60 | 8 | Fitting-Grease |

● Not serviced separately



Hydraulic Cylinder Assembly No. 100-8278

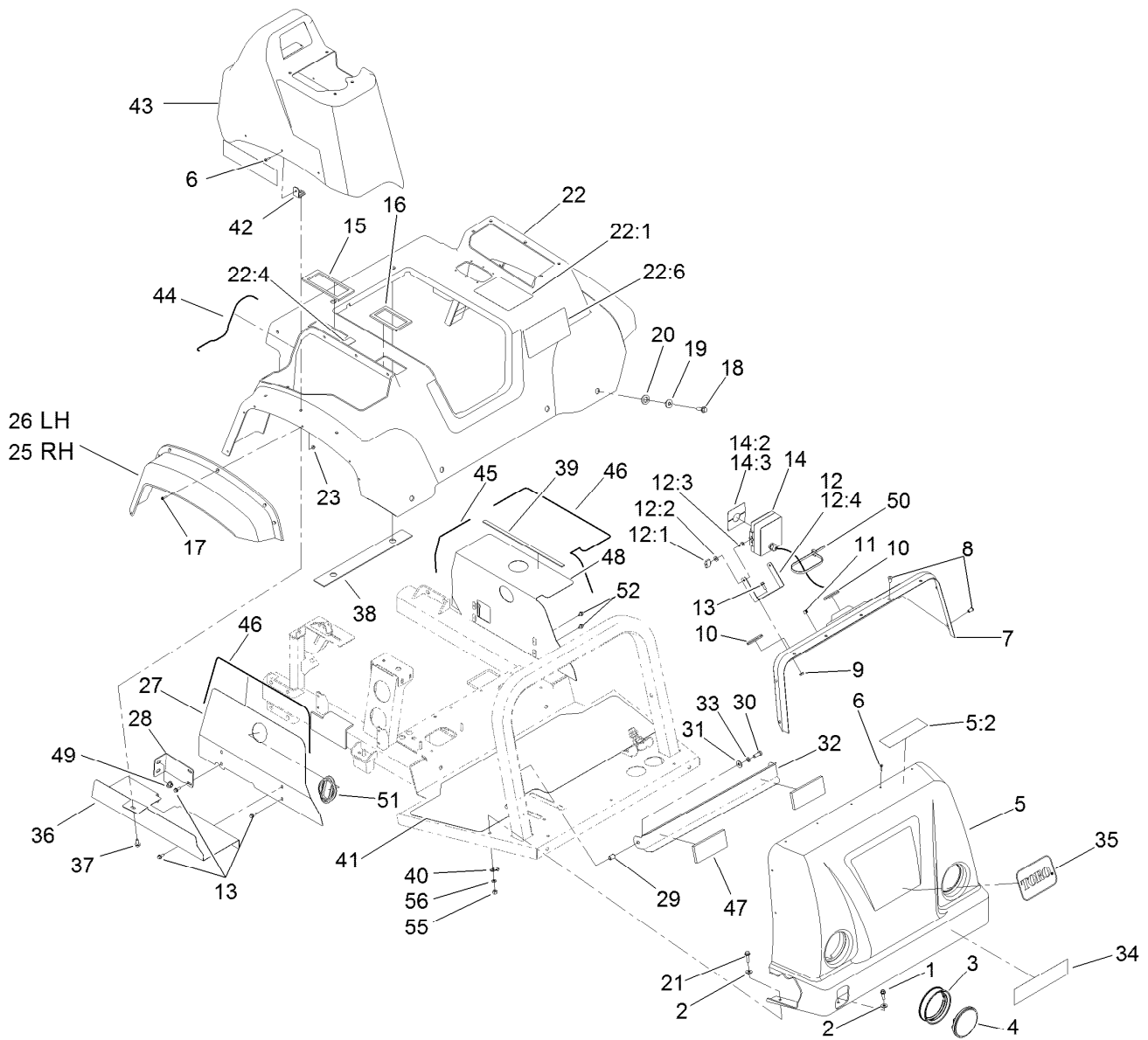
| <i>Ref.</i> | <i>Part Number</i> | <i>Qty.</i> | <i>Description</i> |
|-------------|--------------------|-------------|--------------------|
| 1 | 302-60 | 1 | Fitting-Grease |
| 2 | 107-1552 | 1 | Seal Kit |
| 3 | 94-3612 | 1 | Ring-Retaining |



Engine Cover Assembly

| Ref. | Part Number | Qty. | Description | Ref. | Part Number | Qty. | Description |
|------|-------------|------|--------------------------|------|-------------|------|----------------------|
| 1 | 3234-17 | 4 | Screw-HHF | 13 | 3234-4 | 6 | Screw-HHF |
| 2 | 3256-3 | 5 | Washer-Flat | 14 | 121-5020 | 1 | Spray Monitor ASM |
| 3 | 99-7311 | 2 | Mount-Headlight | 14:2 | 108-3306 | 1 | Decal-Monitor |
| 4 | 99-7310 | 2 | Headlight | 14:3 | 108-3308 | 1 | Decal-Monitor, CE |
| 5 | 110-5225 | 1 | Hood ASM | 15 | 100-8436 | 1 | Seal-Foam |
| 5:2 | 110-5240 | 1 | Decal-Caution, Rider | 16 | 100-8437 | 1 | Seal-Foam |
| 6 | 3250-25 | 19 | Screw-PPH | 17 | 32105-13 | 12 | Screw-HWH |
| 7 | 100-6777 | 1 | Dash Panel ASM | 18 | 3234-24 | 6 | Screw-HHF |
| 8 | 100-8450 | 21 | Nut-Well | 19 | 107-8634 | 6 | Seatbase-Spacer |
| 9 | 32128-33 | 2 | Nut-HF | 20 | 100-8468 | 6 | Washer-Rubber |
| 10 | 40764 | 2 | Grommet | 21 | 3234-36 | 1 | Screw-HHF |
| 11 | 2410-64 | 1 | Plug-Button | 22 | 104-8875 | 1 | Seat Base ASM |
| 12 | | 1 | Monitor Mounting Bracket | 22:1 | 100-8454 | 1 | Decal-Range Selector |
| 12:1 | 99-0667 | 2 | Knob | 22:4 | 87-6020 | 1 | Decal-Brake, Parking |
| 12:2 | 99-0730 | 2 | Washer-Rubber | 22:6 | 121-5007 | 1 | Deca |
| 12:3 | 3229-1 | 2 | Bolt-CARR | 23 | 3290-148 | 12 | Nut-HF |
| 12:4 | 99-0576 | 1 | Bracket | 25 | 94-7074 | 1 | Flare-Fender, RH |
| | | | | 26 | 94-7075 | 1 | Flare-Fender, LH |

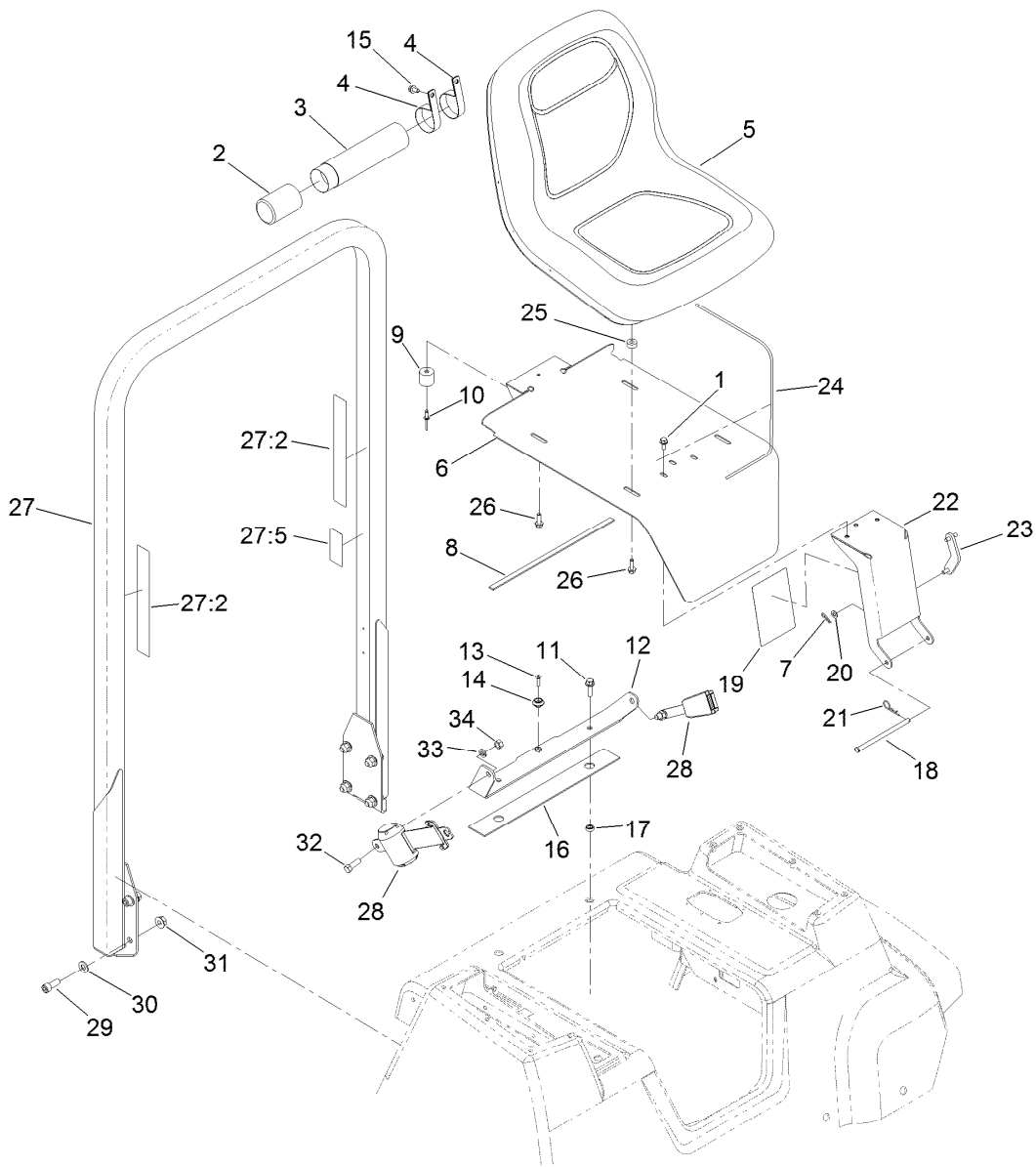
● Not serviced separately



Engine Cover Assembly (continued)

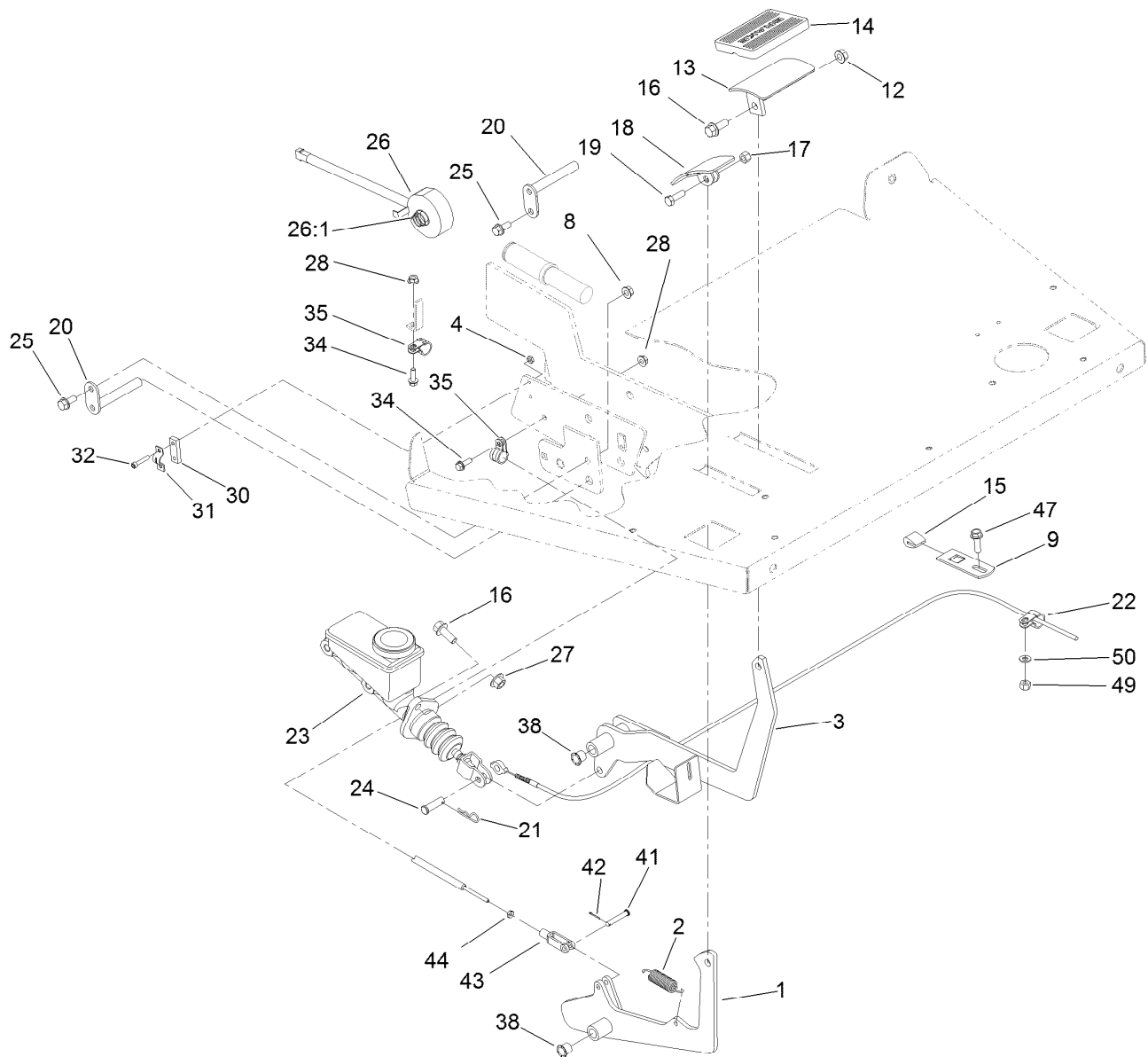
| Ref. | Part Number | Qty. | Description | Ref. | Part Number | Qty. | Description |
|------|-------------|------|------------------------------------|------|-------------|------|-----------------------------|
| 27 | 104-8848-03 | 1 | Panel-Shield, RH | 41 | 100-8622 | 1 | Tread-Floor |
| 28 | 100-8623 | 2 | Bracket-Engine Cover Support, Rear | 42 | 104-8854-03 | 3 | Console Bracket ASM |
| 29 | 32148-9 | 2 | Insert-Nut | 43 | 104-8867 | 1 | Valve Console ASM |
| 30 | 323-6 | 2 | Screw-HH | 44 | 104-8870 | 1 | Trim-Edge |
| 31 | 3256-4 | 2 | Washer-Flat | 45 | 100-8444 | 1 | Trim-Shield, Front And Rear |
| 32 | 100-6731-03 | 1 | Shield-Headlight | 46 | 100-8423 | 2 | Trim-Shield, Top |
| 33 | 3253-21 | 2 | Washer-Lock | 47 | 106-4872 | 2 | Pad-Foam, Headlight |
| 34 | 106-5129 | 1 | Decal | 48 | 100-8448-03 | 1 | Panel-Shield, LH |
| 35 | 62-5550 | 1 | Decal | 49 | 32128-43 | 2 | Nut-Flange |
| 36 | 104-8852-03 | 1 | Panel-Fender, Inner | 50 | 3290-379 | 4 | Tie-Cable |
| 37 | 3234-5 | 3 | Screw-HHF | 51 | 237-164 | 3 | Grommet |
| 38 | 100-8463 | 1 | Seal-Foam | 52 | 3234-26 | 4 | Screw-HHF |
| 39 | 100-8499 | 2 | Seal-Foam | 55 | 3296-29 | 1 | Nut-Lock, NI |
| 40 | 98-2390 | 1 | Clamp-R | 56 | 3256-74 | 1 | Washer-Flat |

● Not serviced separately



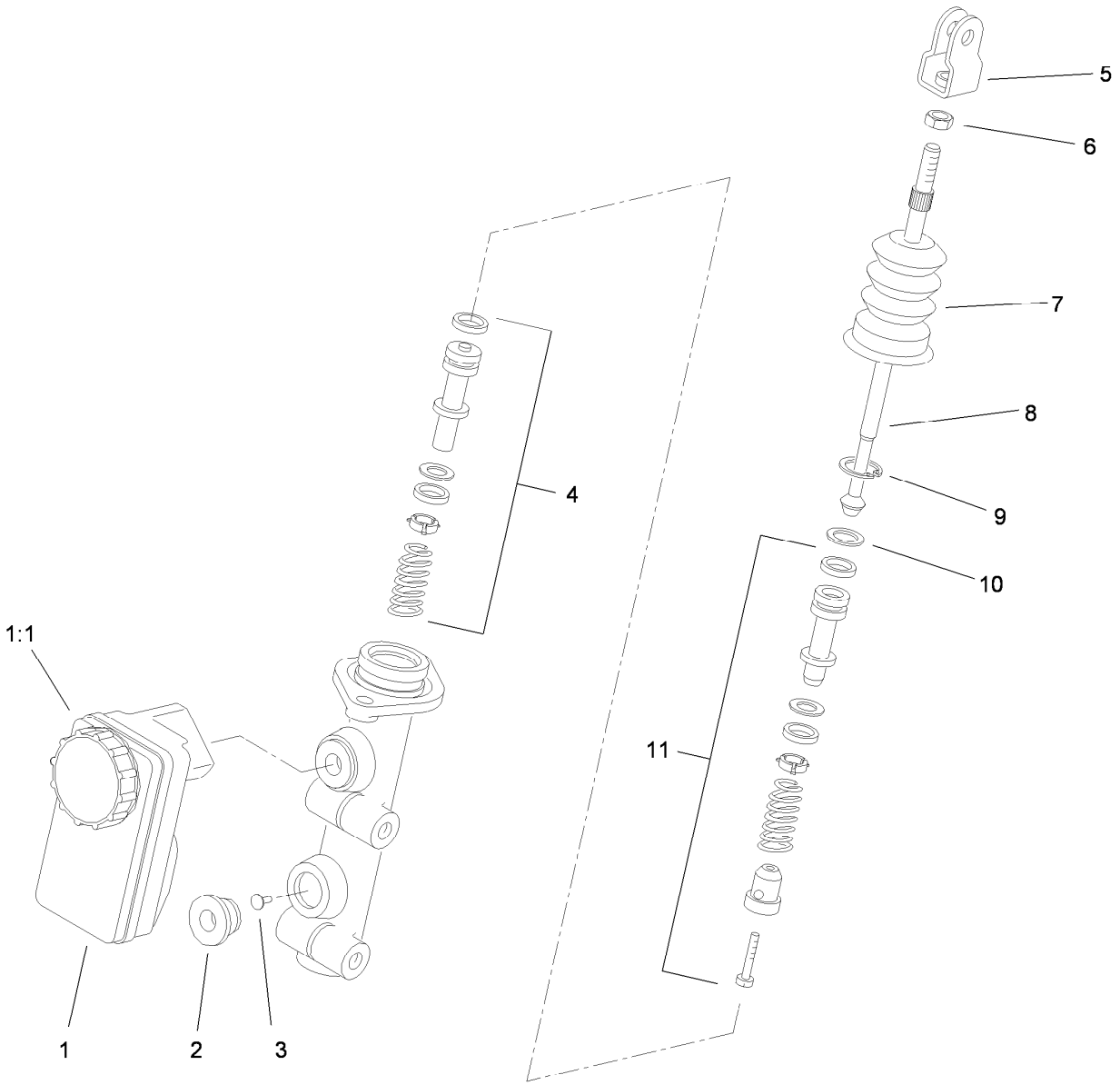
Seat Support Assembly

| Ref. | Part Number | Qty. | Description | Ref. | Part Number | Qty. | Description |
|------|-------------|------|-----------------------|------|-------------|------|----------------------|
| 1 | 3234-5 | 3 | Screw-HHF | 19 | 108-3699 | 1 | Decal-Fuse, Block |
| 2 | 104-7048 | 1 | Cap-Housing | 20 | 3256-23 | 1 | Washer-Plain |
| 3 | 104-7050 | 1 | Tube-Manual | 21 | 9335054 | 1 | Pin-Hair |
| 4 | 2412-133 | 2 | Clamp-R | 22 | 106-4958-03 | 1 | Bracket-Hinge |
| 5 | 112-2923 | 1 | Seat ASM | 23 | 106-5171 | 1 | Prop-Seat |
| 6 | 108-3687-03 | 1 | Bracket-Seat | 24 | 100-8500 | 1 | Trim-Seat |
| 7 | 3290-307 | 1 | Pin-Cotter | 25 | 104-8426 | 4 | Spacer |
| 8 | 100-8499 | 1 | Seal-Foam | 26 | 33104-025 | 4 | Screw-HHF |
| 9 | 99-7830 | 1 | Rubber Receptical ASM | 27 | 104-8976 | 1 | ROPS Bar ASM |
| 10 | 3290-412 | 1 | Rivet-Blind | 27:2 | 104-8982 | 2 | Decal-Warning |
| 11 | 3234-24 | 2 | Screw-HHF | 27:5 | 93-9850 | 1 | Decal-ROPS, CE |
| 12 | 107-8614-03 | 1 | Bracket-Seatbelt | 28 | 110-0413 | 1 | Seatbelt-Retractable |
| 13 | 32108-5 | 1 | Screw-FH | 29 | 3274-89 | 8 | Screw-HSH |
| 14 | 99-7833 | 1 | Post-Holding | 30 | 3256-26 | 8 | Washer-Flat |
| 15 | 33104-016 | 2 | Screw-HHF | 31 | 32128-49 | 8 | Nut-HHF |
| 16 | 100-8463 | 1 | Seal-Foam | 32 | 324-5 | 2 | Screw-HH |
| 17 | 100-8464 | 2 | Spacer | 33 | 3217-8 | 2 | Nut-Hex |
| 18 | 100-8501 | 1 | Pin-Clevis | 34 | 3253-6 | 2 | Washer-Lock |



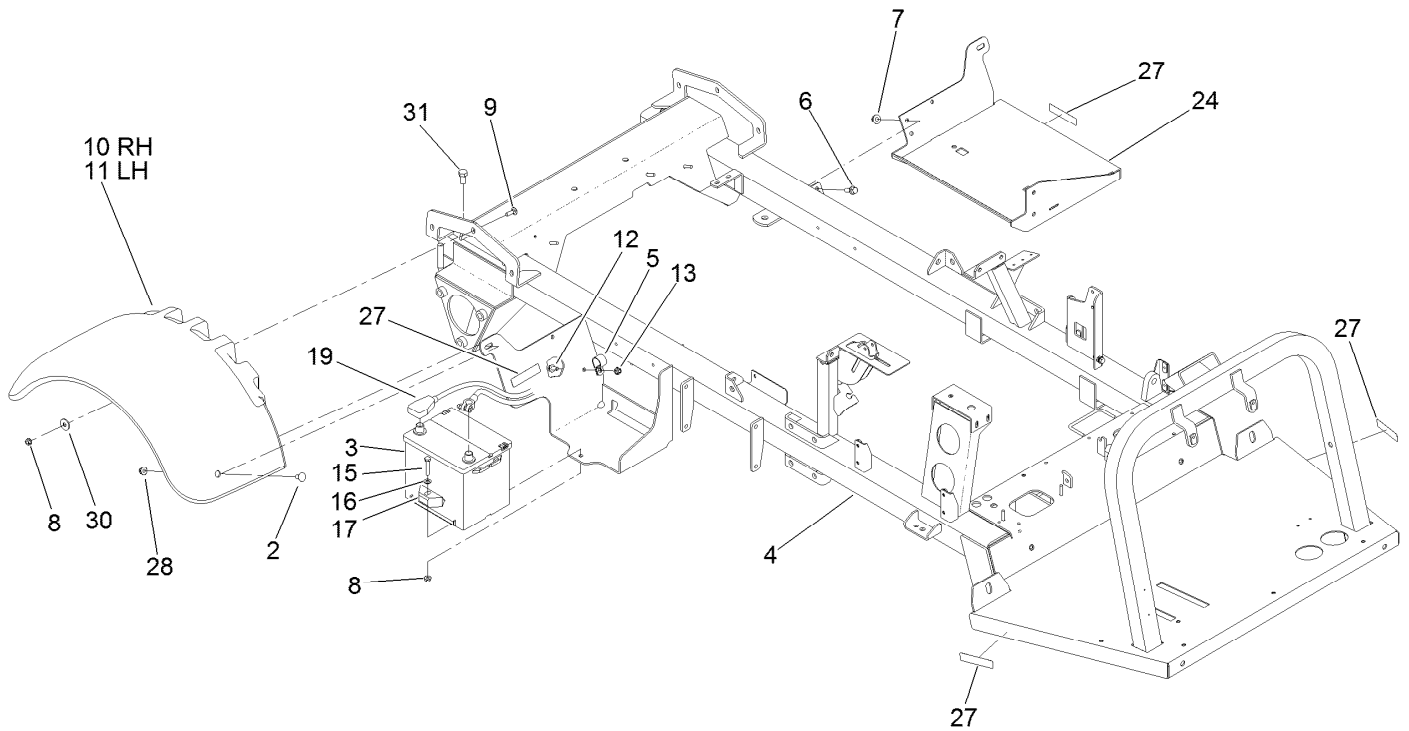
Brake and Accelerator Pedal Assembly

| Ref. | Part Number | Qty. | Description | Ref. | Part Number | Qty. | Description |
|------|-------------|------|----------------------|------|-------------|------|--------------------|
| 1 | 100-8367-03 | 1 | Accelerator-Lever | 25 | 3234-5 | 2 | Screw-HHF |
| 2 | 67-1450 | 1 | Spring-Idler | 26 | 99-8090 | 1 | Magnet ASM |
| 3 | 100-8553-03 | 1 | Brake-Lever | 26:1 | 93-6601 | 1 | Spring-Compression |
| 4 | 3296-2 | 2 | Nut-Lock, NI | 27 | 32128-43 | 2 | Nut-Flange |
| 8 | 32128-20 | 2 | Nut-HF | 28 | 32128-33 | 2 | Nut-HF |
| 9 | 104-8791-03 | 1 | Plate-Pedal, Stop | 30 | 100-8561 | 1 | Plate-Spacer |
| 12 | 32128-21 | 1 | Nut-HF | 31 | 100-8560 | 1 | Bracket-Throttle |
| 13 | 100-8422-03 | 1 | Bracket-Pedal | 32 | 3274-81 | 2 | Screw-HSH |
| 14 | 7-3900 | 1 | Pad-Brake | 34 | 3234-4 | 2 | Screw-HHF |
| 15 | 100-6702 | 3 | Stop-Lever, Pedal | 35 | 2412-134 | 2 | Clamp-R |
| 16 | 3234-11 | 3 | Screw-HHF | 38 | 256-257 | 4 | Bushing-Nyliner |
| 17 | 32153-3 | 1 | Nut-Hex, Side Deform | 41 | 283-66 | 1 | Pin-Clevis |
| 18 | 93-8969-03 | 1 | Pedal | 42 | 3272-1 | 1 | Pin-Cotter |
| 19 | 322-5 | 1 | Screw-HH | 43 | 282-28 | 1 | Clevis-Adjustable |
| 20 | 100-8554 | 2 | Pin-Pivot | 44 | 3219-14 | 1 | Nut-Hex |
| 21 | 3290-250 | 1 | Pin-Cotter | 47 | 3234-17 | 1 | Screw-HHF |
| 22 | 98-2390 | 1 | Clamp-R | 49 | 3296-29 | 1 | Nut-Lock, NI |
| 23 | 94-3800 | 1 | Master Cylinder ASM | 50 | 3256-74 | 1 | Washer-Flat |
| 24 | 283-42 | 1 | Pin-Clevis | | | | |



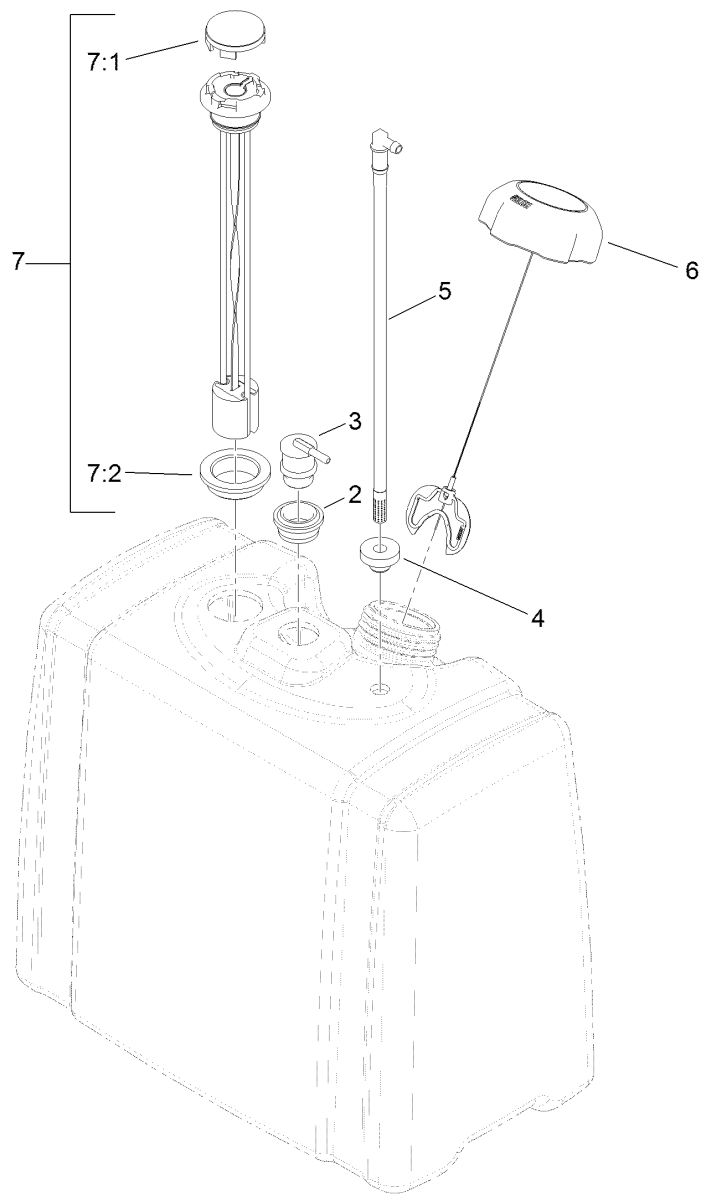
Master Cylinder Assembly No. 94-3800

| Ref. | Part Number | Qty. | Description |
|------|-------------|------|----------------------------|
| 1 | 87-3040 | 1 | Reservoir-Cylinder, Master |
| 1:1 | 92-4112 | 1 | Cap ASM |
| 2 | 93-8971 | 2 | Seal-Port, Flange |
| 3 | 92-4103 | 1 | Pin-Stop |
| 4 | 92-4102 | 1 | Secondary Piston ASM |
| 5 | 92-4110 | 1 | Clevis |
| 6 | 21-0360 | 1 | Nut-Hex |
| 7 | 94-5209 | 1 | Cover-Dust |
| 8 | 94-5210 | 1 | Rod-Push |
| 9 | 92-4109 | 1 | Ring-Snap |
| 10 | 92-4108 | 1 | Retainer-Washer |
| 11 | 92-4101 | 1 | Primary Piston ASM |



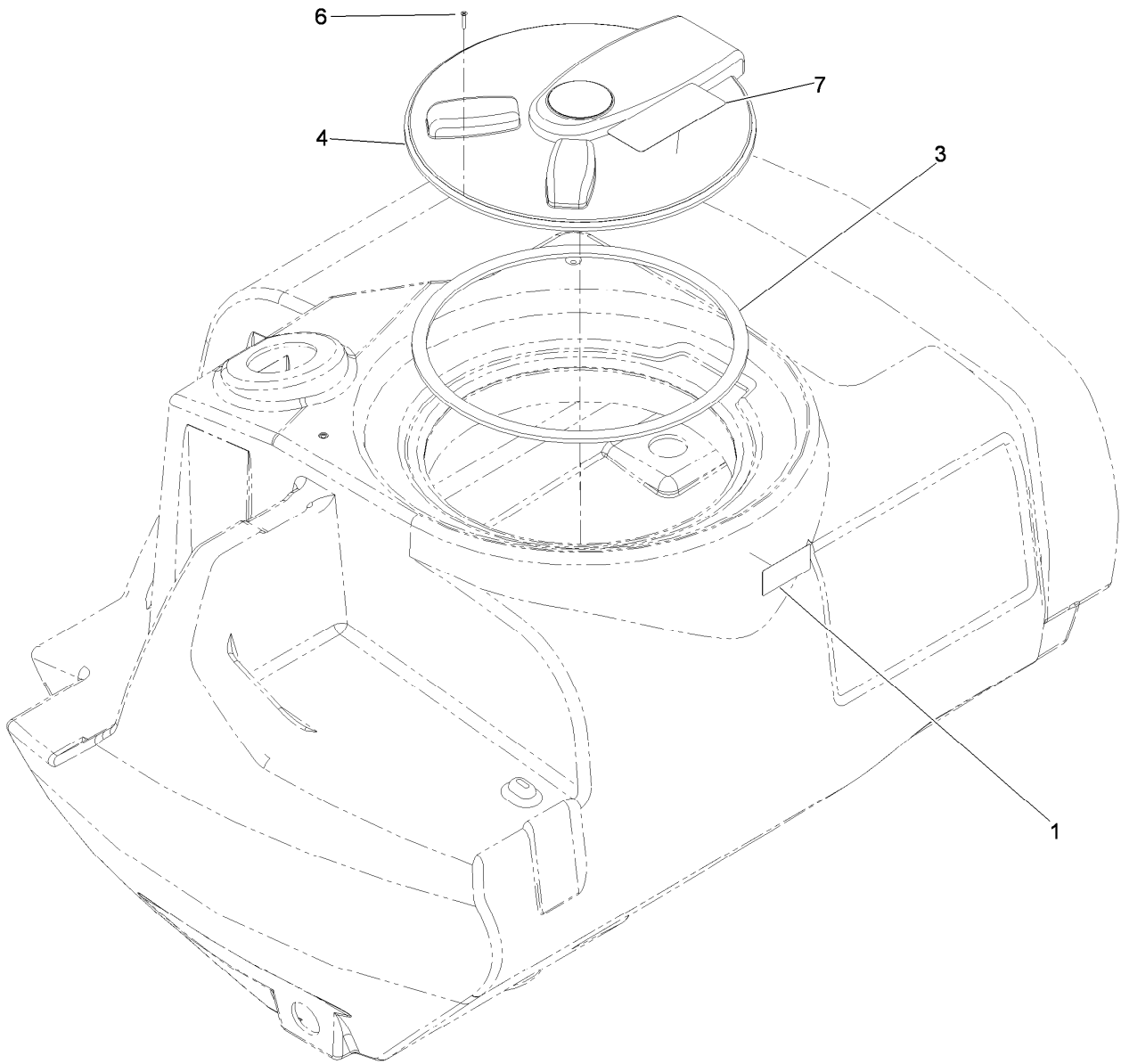
Rear Fender and Battery Mount Assembly

| <i>Ref.</i> | <i>Part Number</i> | <i>Qty.</i> | <i>Description</i> | <i>Ref.</i> | <i>Part Number</i> | <i>Qty.</i> | <i>Description</i> |
|-------------|--------------------|-------------|--------------------|-------------|--------------------|-------------|-------------------------|
| 2 | 3231-1 | 2 | Screw-CARR | 13 | 104-8300 | 1 | Nut-HF, NI |
| 3 | 106-5187 | 1 | Battery-Dry | 15 | 322-9 | 1 | Screw-HH |
| 4 | 119-6045-03 | 1 | Mainframe ASM | 16 | 3256-23 | 1 | Washer-Plain |
| 5 | 2412-39 | 1 | Clamp-R | 17 | 66-2490 | 1 | Retainer-Battery |
| 6 | 3234-11 | 4 | Screw-HHF | 19 | 108-9472 | 1 | Cable-Battery, Positive |
| 7 | 32128-43 | 4 | Nut-Flange | 24 | 119-0435-03 | 1 | Tank Mount ASM |
| 8 | 32128-20 | 7 | Nut-HF | 27 | 108-3252 | 4 | Decal-Torque, CE |
| 9 | 3230-16 | 6 | Screw-CARR | 28 | 104-8301 | 2 | Nut-HF, NI |
| 10 | 112-6806 | 1 | Fender | 30 | 52-2861 | 6 | Washer |
| 11 | 112-6805 | 1 | Fender | 31 | 325-4 | 2 | Screw-HH |
| 12 | 3234-5 | 1 | Screw-HHF | | | | |



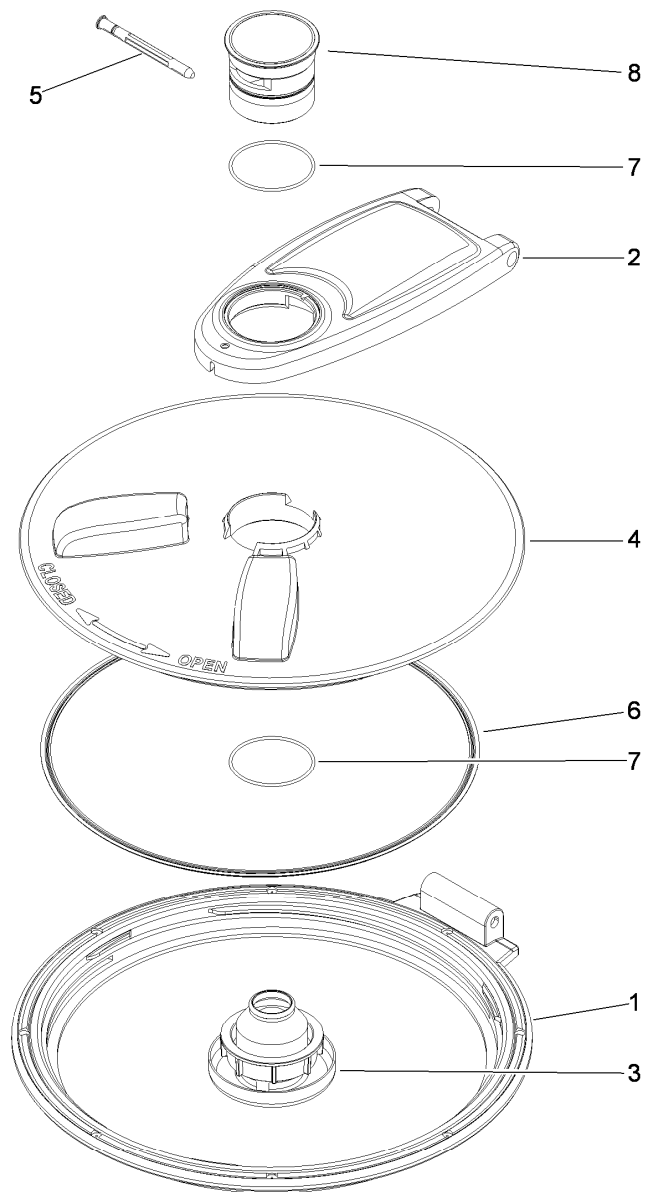
Fuel Tank Assembly No. 115-9048

| <i>Ref.</i> | <i>Part Number</i> | <i>Qty.</i> | <i>Description</i> |
|-------------|--------------------|-------------|--------------------|
| 2 | 114-0284 | 1 | Grommet |
| 3 | 114-0285 | 1 | Valve-Rollover |
| 4 | 46-6560 | 1 | Bushing |
| 5 | 115-9044 | 1 | Pipe-Stand |
| 6 | 115-7788 | 1 | Cap-Fuel |
| 7 | 119-0509 | 1 | Gauge ASM |
| 7:1 | 117-8404 | 1 | Dial-Gauge |
| 7:2 | 119-0508 | 1 | Seal |



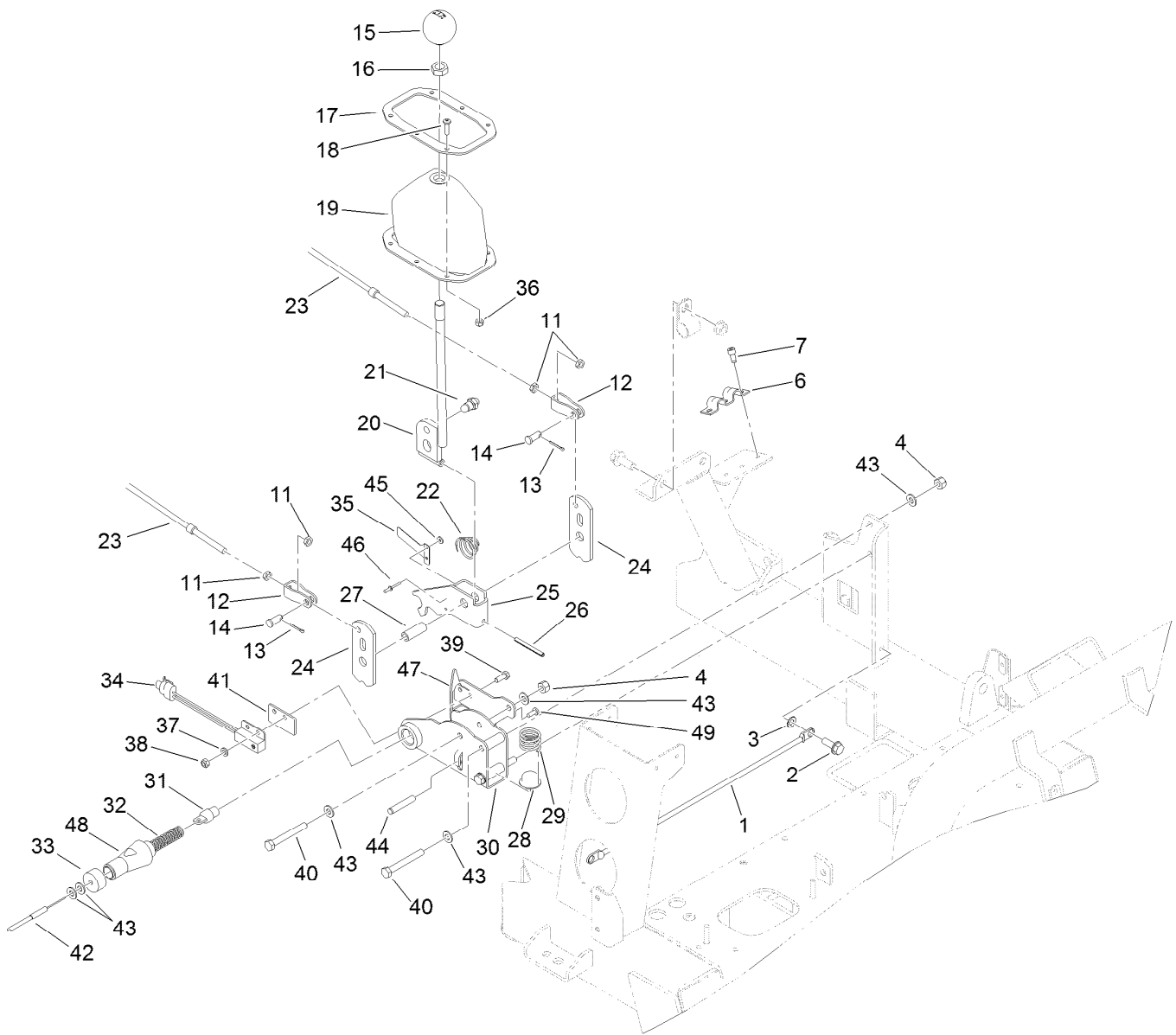
Main Tank Assembly

| <i>Ref.</i> | <i>Part Number</i> | <i>Qty.</i> | <i>Description</i> |
|-------------|--------------------|-------------|-------------------------|
| 1 | 106-1355 | 1 | Decal-No Tank Entry |
| 3 | 119-9378 | 1 | Gasket-Lid, Tank |
| 4 | 119-9380 | 1 | Spray Tank Lid ASM |
| 6 | 107-8635 | 8 | Screw-PFH |
| 7 | 93-0688 | 1 | Decal-Warning, Chemical |



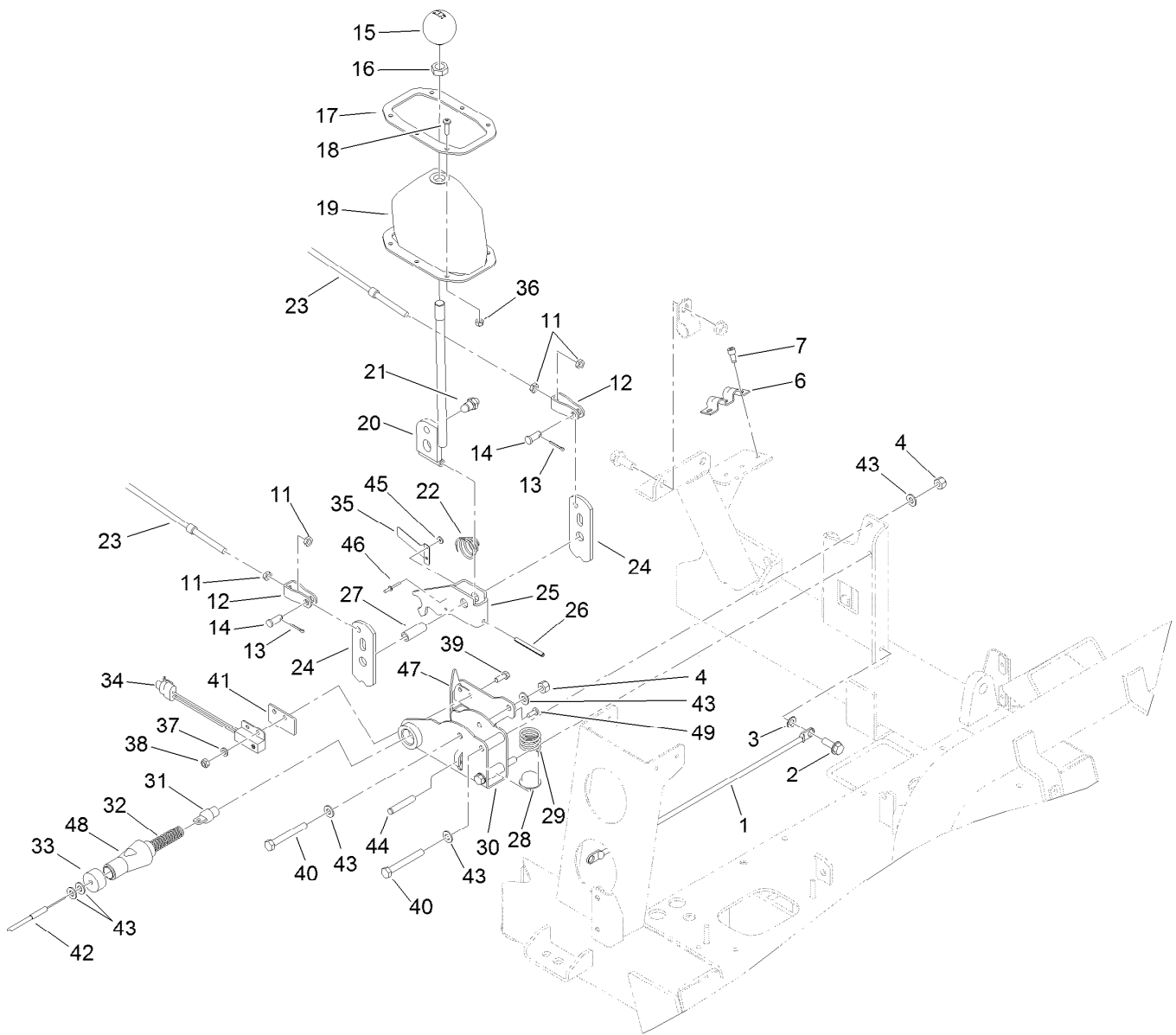
Spray Tank Lid Assembly No. 119-9380

| <i>Ref.</i> | <i>Part Number</i> | <i>Qty.</i> | <i>Description</i> |
|-------------|--------------------|-------------|--------------------|
| 1 | 119-9381 | 1 | Ring-Lid |
| 2 | 119-9382 | 1 | Arm-Lid |
| 3 | 119-9383 | 1 | Vent-Lid |
| 4 | 119-9384 | 1 | Cover-Lid |
| 5 | 119-9385 | 1 | Pin-Pivot |
| 6 | 106-5004 | 1 | Seal-Lid |
| 7 | 119-9386 | 2 | O-Ring |
| 8 | 119-9387 | 1 | Cap-Lid |



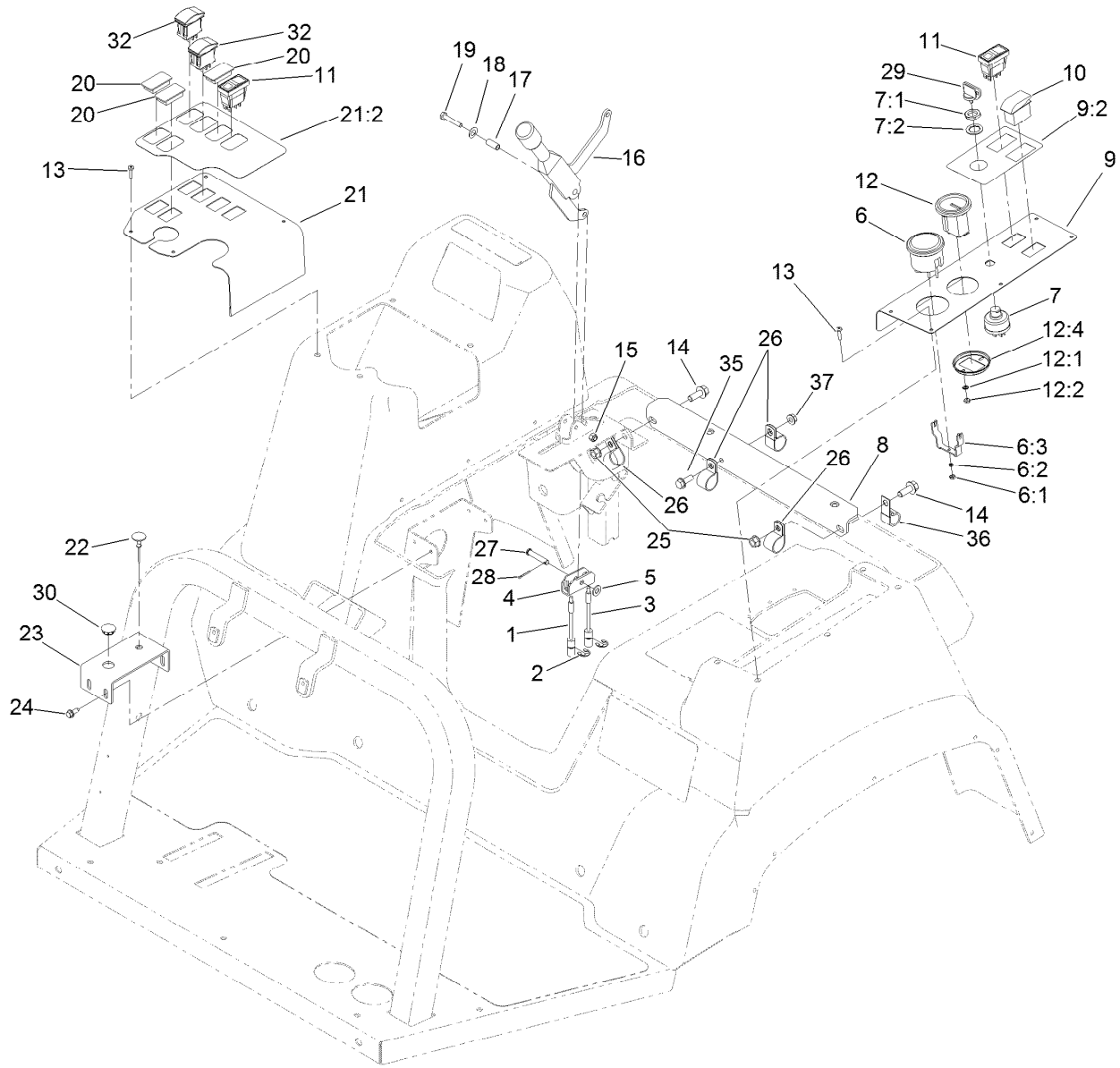
Shifter Assembly

| Ref. | Part Number | Qty. | Description | Ref. | Part Number | Qty. | Description |
|------|-------------|------|-------------------------|------|-------------|------|------------------------|
| 1 | 108-3698 | 1 | Cable-Battery, Negative | 25 | 108-3565 | 1 | Bracket-Shifter |
| 2 | 32144-14 | 1 | Screw-HWHTF | 26 | 32121-48 | 1 | Pin-Spring |
| 3 | 3255-8 | 1 | Washer-Lock | 27 | 108-3570 | 3 | Tube-Shifter |
| 4 | 3296-29 | 3 | Nut-Lock, NI | 28 | 87-3530 | 1 | Button-Shifter |
| 6 | 87-4960 | 1 | Clamp-Cable | 29 | 87-3660 | 1 | Spring-Compression |
| 7 | 65-5220 | 3 | Screw-HSH, Thread | 30 | 110-5106 | 1 | Clevis |
| | | | | 31 | 108-3558 | 1 | Pin-Retracting |
| 11 | 3220-1 | 4 | Nut-Jam | 32 | 108-3557 | 1 | Spring |
| 12 | 87-2310 | 2 | Clevis-Cable | 33 | 108-3564 | 1 | Cap-Spring |
| 13 | 3272-6 | 2 | Pin-Cotter | 34 | 105-0023 | 1 | Switch-Proximity |
| 14 | 283-62 | 2 | Pin-Clevis | 35 | 110-5125 | 1 | Flag-Sensor, Proximity |
| 15 | 87-6720 | 1 | Knob-Shift | 36 | 3296-2 | 6 | Nut-Lock, NI |
| 16 | 3218-18 | 1 | Nut-Jam | 37 | 33093-00 | 2 | Washer-Flat |
| 17 | 87-3760-03 | 1 | Plate-Boot, Shift | 38 | 33023-00 | 2 | Nut-Lock |
| 18 | 3250-13 | 6 | Screw-PPH | 39 | 33113-016 | 2 | Screw-HH |
| 19 | 87-8620 | 1 | Boot-Shift | 40 | 322-12 | 3 | Screw-HH |
| 20 | 87-2040 | 1 | Lever-Shift | 41 | 110-5102 | 1 | Spacer-Insulator |
| 21 | 87-3650 | 1 | Pin-Shift | 42 | 108-3553 | 1 | Shift Lock Cable ASM |
| 22 | 87-2900 | 1 | Spring-Compression | 43 | 3256-74 | 8 | Washer-Flat |
| 23 | 100-8359 | 2 | Cable-Shift | 44 | 3290-507 | 1 | Pin-Dowel |
| 24 | 87-3540 | 2 | Link-Shift | 45 | 5-1254 | 2 | Washer |



Shifter Assembly (continued)

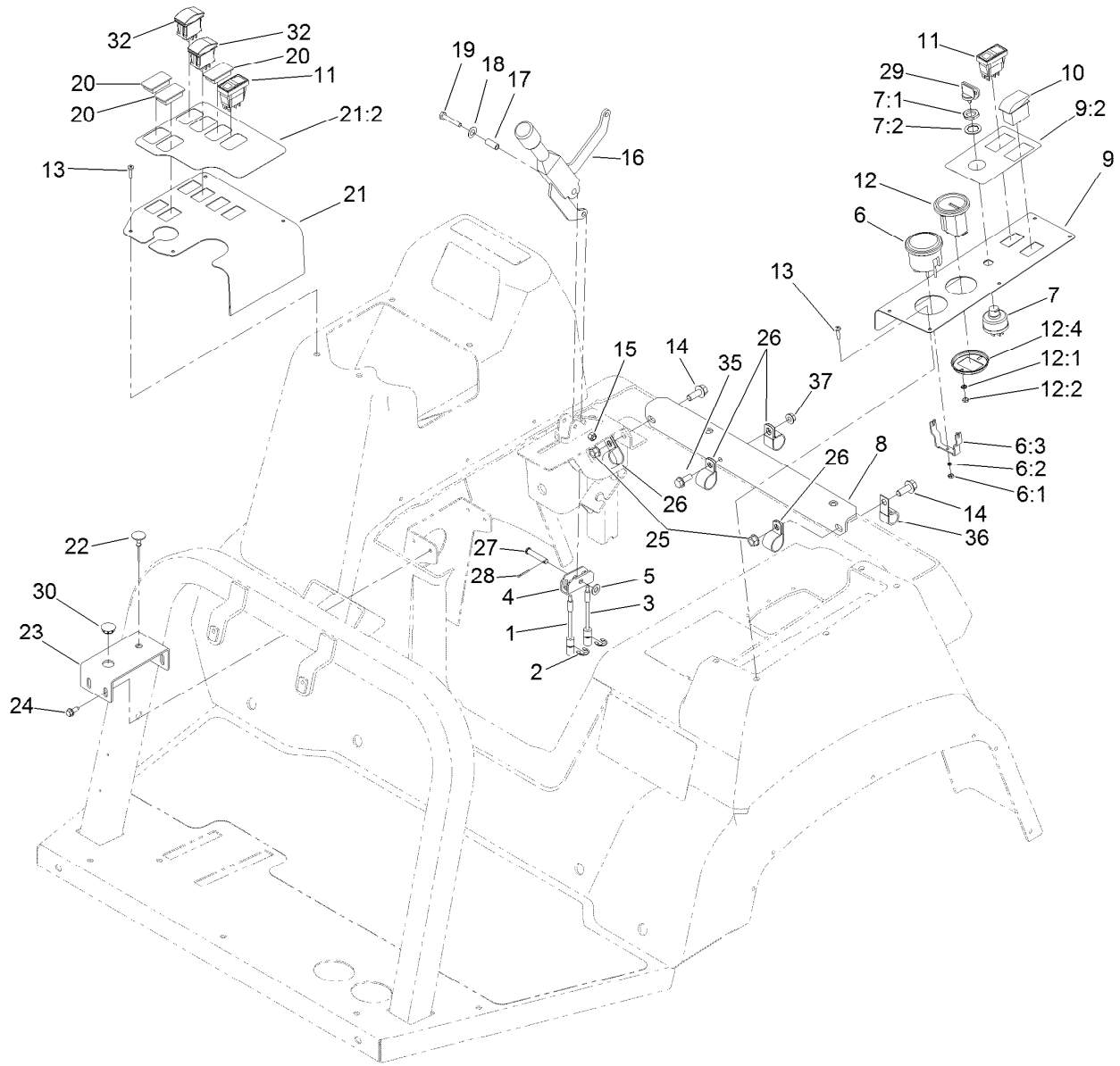
| <i>Ref.</i> | <i>Part Number</i> | <i>Qty.</i> | <i>Description</i> | <i>Ref.</i> | <i>Part Number</i> | <i>Qty.</i> | <i>Description</i> |
|-------------|--------------------|-------------|-----------------------|-------------|--------------------|-------------|--------------------|
| 46 | 3290-55 | 2 | Rivet-Pop | 48 | 110-5103 | 1 | Tube-Shifter |
| 47 | 110-5101 | 1 | Bracket-Mount, Switch | 49 | 3250-12 | 1 | Screw-PPH |



Parking Brake and Console Assembly

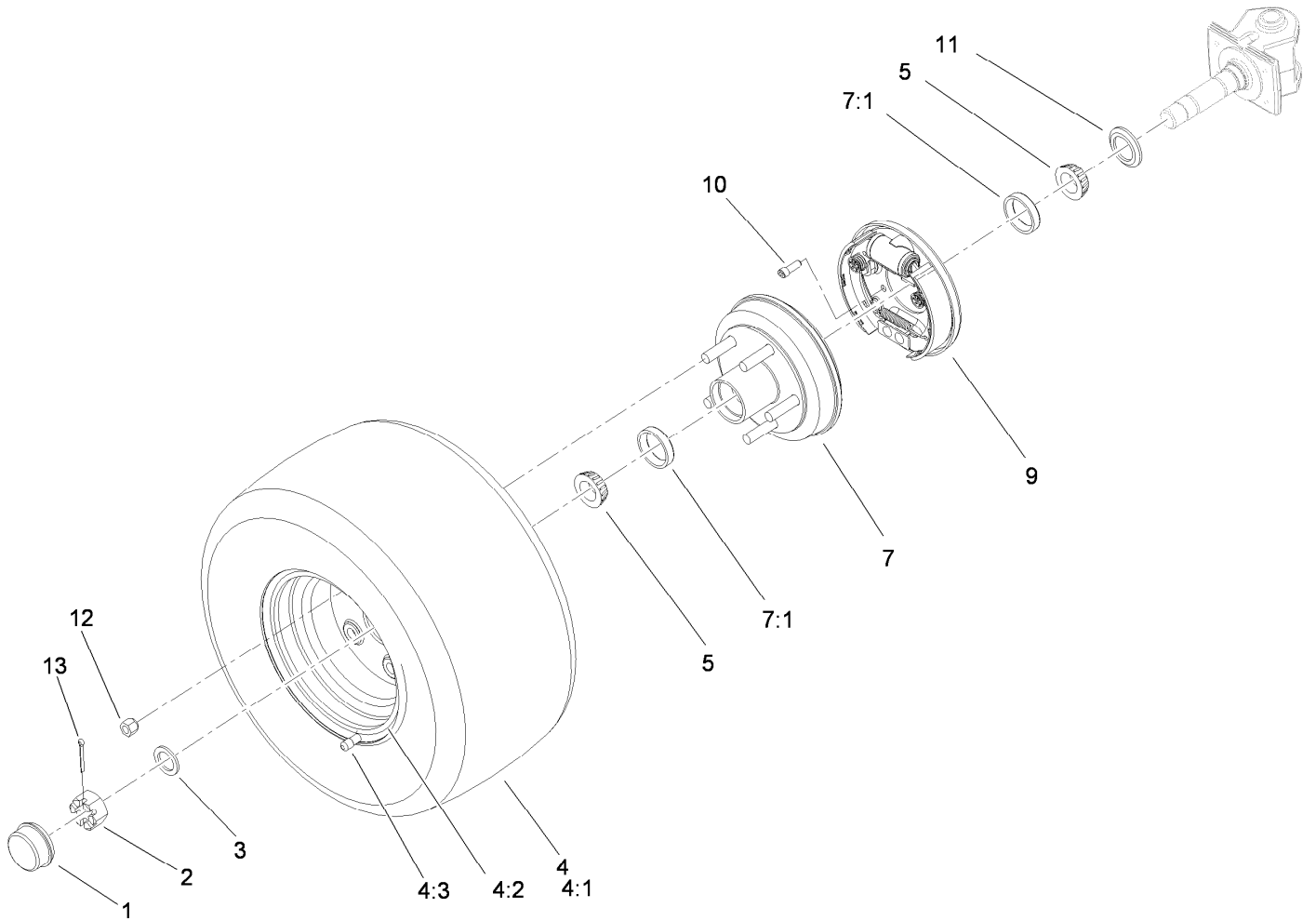
| Ref. | Part Number | Qty. | Description |
|------|-------------|------|---------------------------|
| 1 | 87-8240 | 1 | Cable-Brake |
| 2 | 32120-47 | 2 | Ring-Retaining, External |
| 3 | 100-8261 | 1 | Cable-Park Brake, RH |
| 4 | 87-3480 | 1 | Bracket-Equalizer, Cable |
| 5 | 3256-23 | 1 | Washer-Plain |
| 6 | 98-2160 | 1 | Voltmeter |
| 6:1 | 3217-27 | 1 | Nut-Hex |
| 6:2 | 3255-25 | 1 | Washer-Lock |
| 6:3 | 78-0080 | 1 | Clamp-Mounting |
| 7 | 83-0020 | 1 | Switch-Ignition |
| 7:1 | 218-461 | 1 | Nut-HH |
| 7:2 | 3254-5 | 1 | Washer-Tooth, Internal |
| 8 | 106-4859-03 | 1 | Bracket-Seatbox |
| 9 | 100-8452 | 1 | Vehicle Control Panel ASM |
| 9:2 | 100-8470 | 1 | Decal-Controls |
| 10 | 100-8469 | 1 | Switch-Rocker |
| 11 | 104-9007 | 2 | Switch-Rocker |
| 12 | 66-2950 | 1 | Gauge-Hourmeter |
| 12:1 | 3255-20 | 2 | Washer-Lock |
| 12:2 | 3217-25 | 2 | Nut-Hex |
| 12:4 | 105-0039 | 1 | Bracket-Gauge |

| Ref. | Part Number | Qty. | Description |
|------|-------------|------|-------------------------|
| 13 | 3250-25 | 9 | Screw-PPH |
| 14 | 3234-11 | 3 | Screw-HHF |
| 15 | 3296-42 | 1 | Nut-Lock, NI |
| 16 | 87-2710 | 1 | Lever-Brake |
| 17 | 87-4710 | 1 | Spacer-Brake, Parking |
| 18 | 3290-477 | 1 | Washer-Curved |
| 19 | 321-9 | 1 | Screw-HH |
| 20 | 99-7420 | 3 | Plug-Hole |
| 21 | 104-8866 | 1 | Spray Control Panel ASM |
| 21:2 | 104-8749 | 1 | Decal-Control, Spray |
| 22 | 41697 | 1 | Choke-Control |
| 23 | 100-8385-03 | 1 | Bracket-Speed, Throttle |
| 24 | 32144-10 | 4 | Screw-HWH |
| 25 | 32128-21 | 2 | Nut-HF |
| 26 | 2412-39 | 4 | Clamp-R |
| 27 | 94-3829 | 1 | Pin-Clevis |
| 28 | 3272-6 | 1 | Pin-Cotter |
| 29 | 63-8360 | 2 | Key-Ignition |
| 30 | 93-0830 | 1 | Plug-Hole |
| 32 | 100-1535 | 2 | Switch |
| 35 | 32144-41 | 1 | Screw-Taptite |



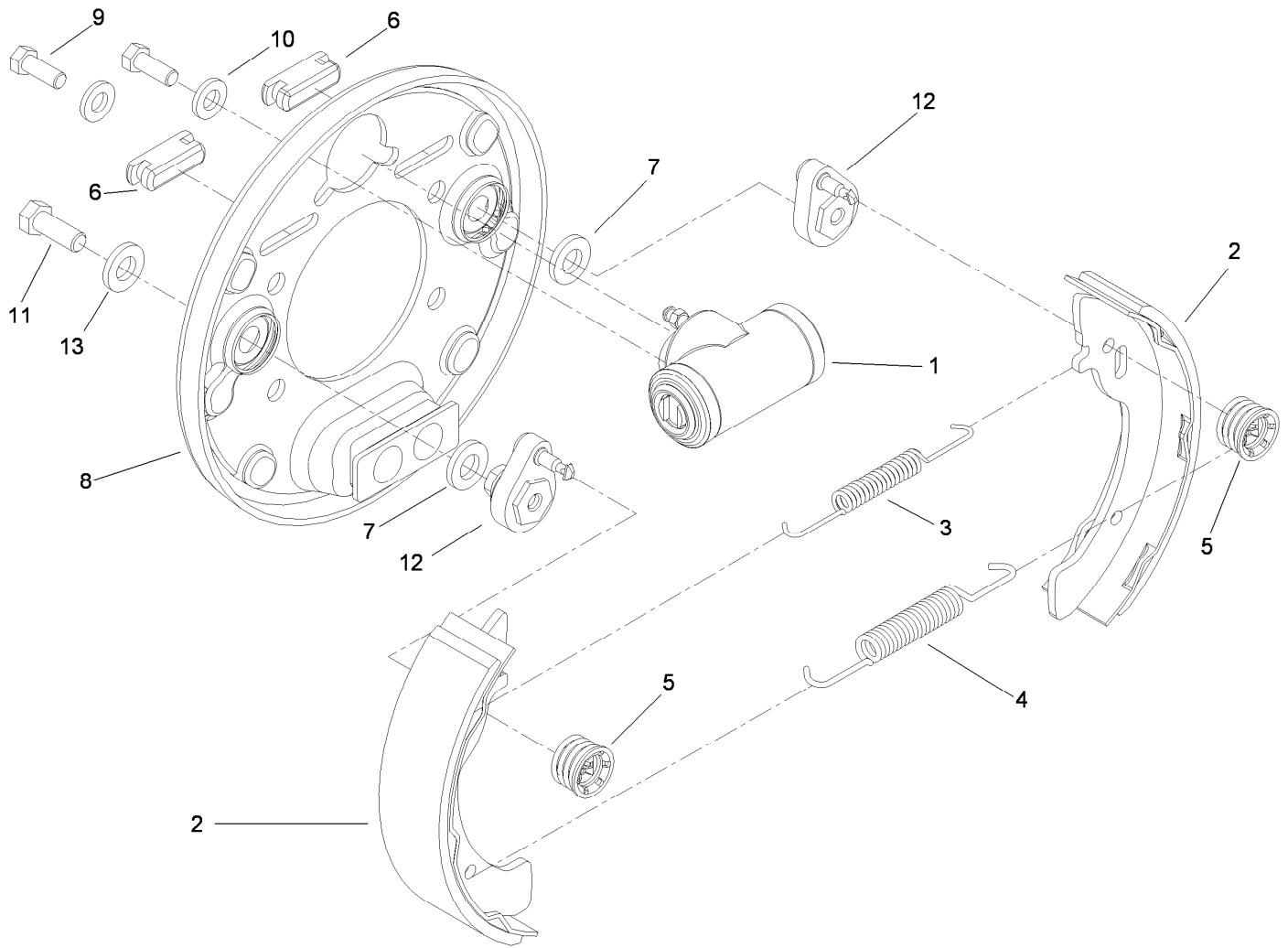
Parking Brake and Console Assembly (continued)

| <i>Ref.</i> | <i>Part Number</i> | <i>Qty.</i> | <i>Description</i> |
|-------------|--------------------|-------------|--------------------|
| 36 | 94-9580 | 1 | Clamp-J |
| 37 | 32128-25 | 1 | Nut-HF |



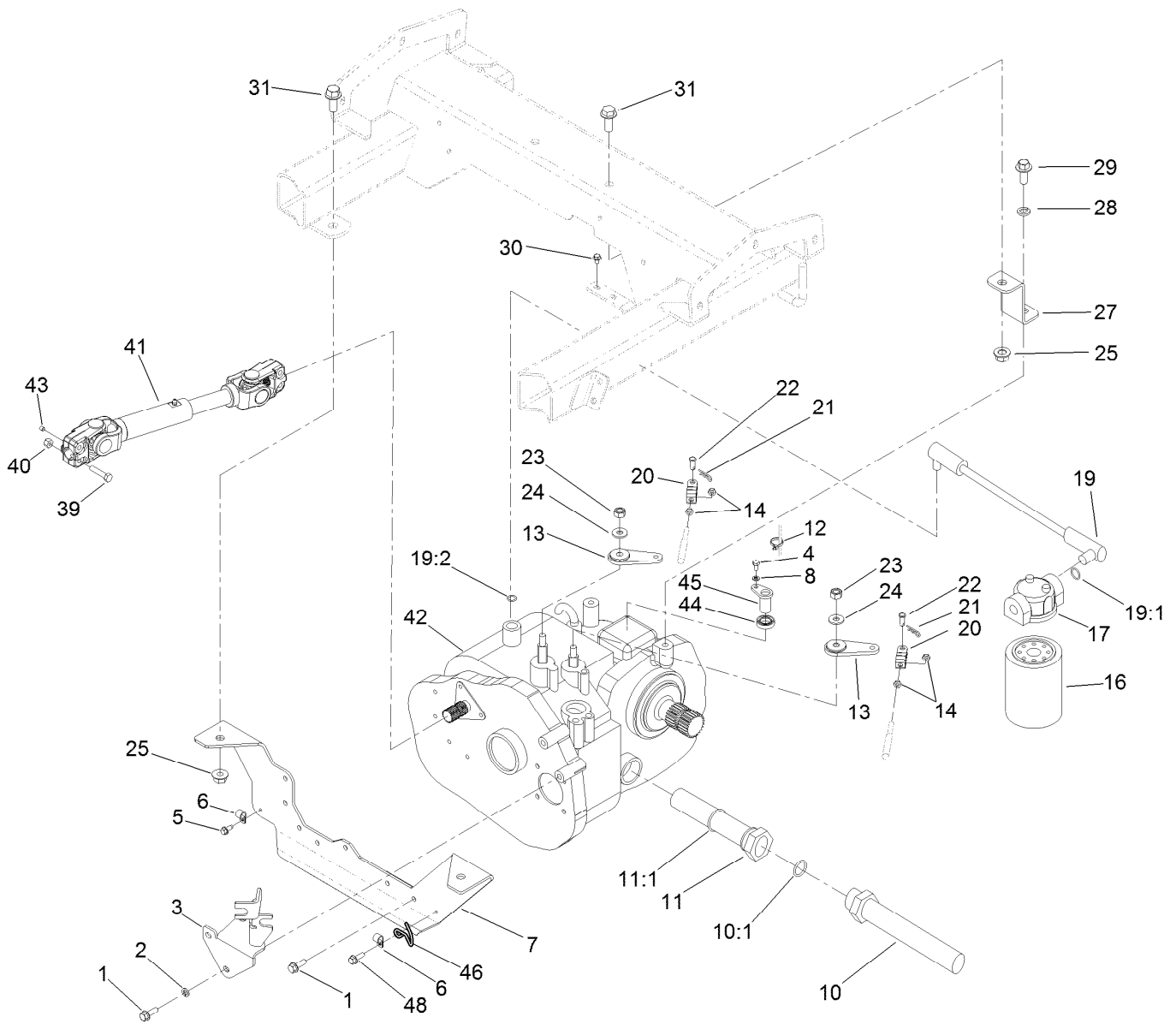
Front Wheel Assembly

| Ref. | Part Number | Qty. | Description |
|------|-------------|------|--------------------------|
| 1 | 241-119 | 2 | Cap-Dust |
| 2 | 1-809082 | 2 | Nut-SHH |
| 3 | 27-1850 | 2 | Washer-Pivot |
| 4 | 110-5135 | 2 | Front Tire And Wheel ASM |
| 4:1 | 110-5133 | 1 | Tire |
| 4:2 | 241-121 | 1 | Wheel ASM |
| 4:3 | 232-27 | 1 | Stem-Valve |
| 5 | 254-92 | 4 | Cone-Bearing, Outer |
| 7 | 100-8287 | 2 | Hub/Drum-Front |
| 7:1 | 254-72 | 2 | Bearing-Cup, Tapered |
| 9 | 100-8285 | 2 | Front Brake ASM |
| 10 | 3273-14 | 8 | Screw-HSH |
| 11 | 253-129 | 2 | Seal |
| 12 | 321077 | 10 | Nut-Wheel |
| 13 | 3272-13 | 2 | Pin-Cotter |



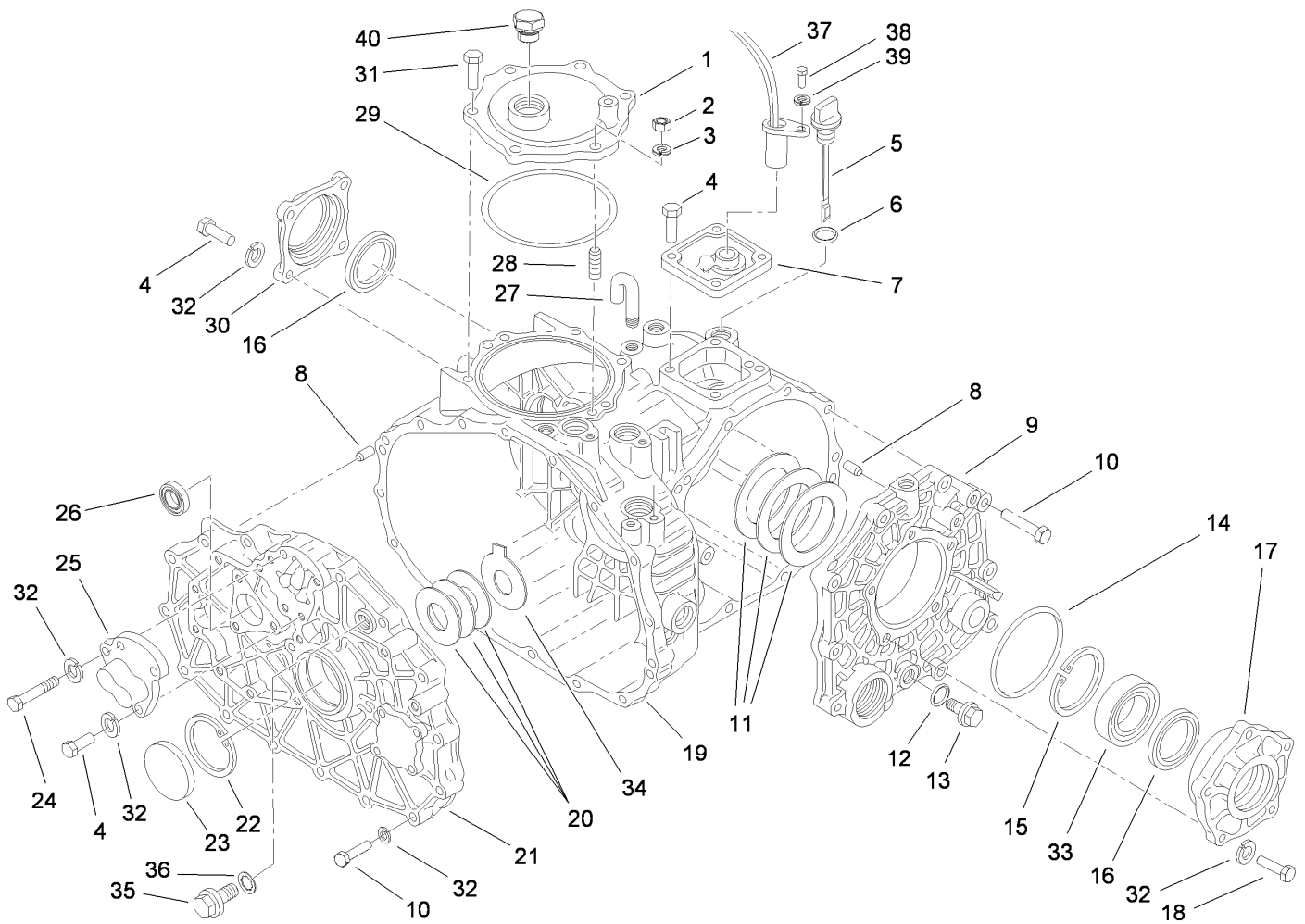
Front Brake Assembly No. 100-8285

| <i>Ref.</i> | <i>Part Number</i> | <i>Qty.</i> | <i>Description</i> |
|-------------|--------------------|-------------|---------------------------|
| 1 | 100-8580 | 1 | Wheel Cylinder ASM |
| 2 | 100-8587 | 1 | Shoe Set |
| 3 | 100-8581 | 1 | Spring-Upper |
| 4 | 100-8582 | 1 | Spring-Lower |
| 5 | 100-8583 | 2 | Shoe Hold Down Spring ASM |
| 6 | 100-8584 | 2 | Cover-Dust |
| 7 | 100-8585 | 2 | Washer-Bellville |
| 8 | 100-8586 | 1 | Backing Plate ASM |
| 9 | 33103-012 | 2 | Screw-HHF |
| 10 | 3253-3 | 2 | Washer-Lock |
| 11 | 329-2 | 2 | Screw-HH |
| 12 | 100-8588 | 2 | Adjuster Lever ASM |
| 13 | 3256-1 | 2 | Washer-Flat |



Transaxle Installation Assembly

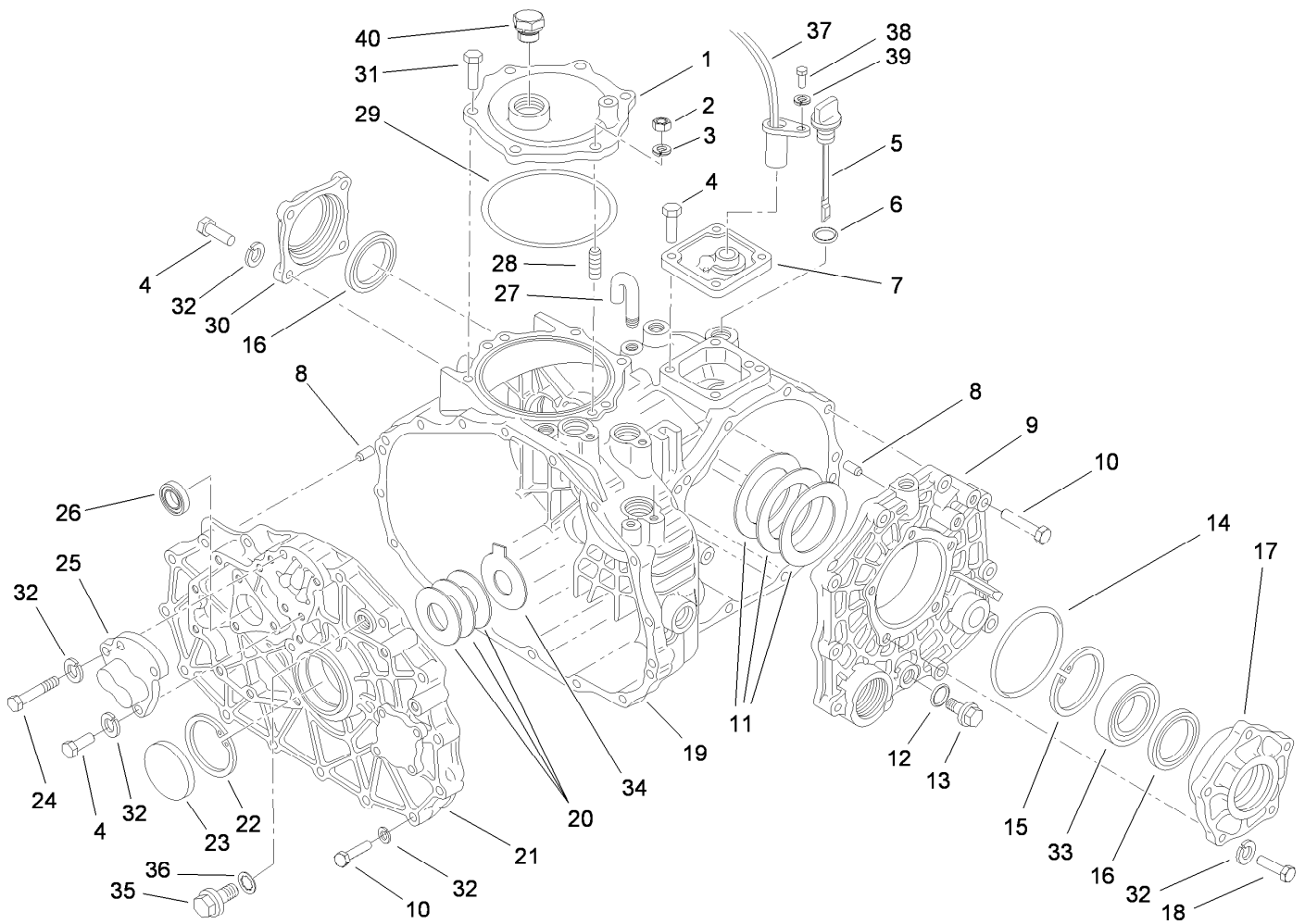
| Ref. | Part Number | Qty. | Description | Ref. | Part Number | Qty. | Description |
|------|-------------|------|--------------------------|------|-------------|------|------------------------|
| 1 | 33104-025 | 10 | Screw-HHF | 20 | 87-2310 | 2 | Clevis-Cable |
| 2 | 3253-4 | 10 | Washer-Lock | 21 | 3290-307 | 2 | Pin-Cotter |
| 3 | 107-8749-03 | 1 | Bracket-Cable | 22 | 283-62 | 2 | Pin-Clevis |
| 4 | 33113-012 | 1 | Screw-HH | 23 | 48-9520 | 2 | Nut |
| 5 | 32144-10 | 1 | Screw-HWH | 24 | 80-6990 | 2 | Washer-Hardened |
| 6 | 2412-93 | 2 | Clamp-R | 25 | 99-5107 | 4 | Nut-Lock |
| 7 | 100-8531-03 | 1 | Transaxle-Mount | 27 | 100-8220-03 | 2 | Strap-Mount, Transaxle |
| 8 | 48-8020 | 1 | Washer-Spring | 28 | 3253-7 | 2 | Washer-Lock |
| 10 | 100-8250 | 1 | Hose-Suction | 29 | 33106-030 | 2 | Screw-HHF |
| 10:1 | 237-81 | 1 | O-Ring | 30 | 3234-33 | 2 | Screw-HHF |
| 11 | 87-3990 | 1 | Strainer-Transaxle | 31 | 3234-38 | 4 | Screw-HHF |
| 11:1 | 237-123 | 1 | O-Ring | 39 | 322-7 | 4 | Screw-HH |
| 12 | 3290-379 | 4 | Tie-Cable | 40 | 3296-29 | 4 | Nut-Lock, NI |
| 13 | 87-7960 | 2 | Lever-Shift | 41 | 119-6040 | 1 | Driveshaft ASM |
| 14 | 3220-1 | 4 | Nut-Jam | 42 | 104-9078 | 1 | Transaxle ASM |
| 16 | 54-0110 | 1 | Filter-Oil, Transmission | 43 | 3245-32 | 1 | Screw-HSH |
| 17 | 87-8780 | 1 | Head-Filter | 44 | 92-3735 | 1 | Seal-Oil, Sensor |
| 19 | 100-8254 | 1 | Hose-Return, Axle | 45 | 120-4800 | 1 | Sensor-Geartooth |
| 19:1 | 237-79 | 1 | O-Ring | 46 | 119-9363 | 1 | Guide-Hose |
| 19:2 | 237-42 | 1 | O-Ring | 48 | 3234-29 | 1 | Screw-HHF |



Case Assembly Transaxle Assembly No. 104-9078

| <i>Ref.</i> | <i>Part Number</i> | <i>Qty.</i> | <i>Description</i> | <i>Ref.</i> | <i>Part Number</i> | <i>Qty.</i> | <i>Description</i> |
|-------------|--------------------|-------------|----------------------|-------------|--------------------|-------------|--------------------|
| 1 | 100-8595 | 1 | Cover-PTO | 18 | 48-7730 | 5 | Screw-Cap, HH |
| 2 | 48-7930 | 1 | Nut | 19 | 92-0651 | 1 | Case-Transmission |
| 3 | 92-0762 | 1 | Washer-Spring | 20 | 100-4460 | 1 | Shim-Set |
| 4 | 33114-025 | 11 | Screw-HH | 21 | 100-4461 | 1 | Plate-Center |
| 5 | 92-0662 | 1 | Cap-Oil | 22 | 92-0759 | 1 | Ring-Snap |
| 6 | 92-0788 | 1 | O-Ring | 23 | 92-0807 | 1 | Cap-Sealing |
| 7 | 92-3736 | 1 | Cover ASM | 24 | 48-7560 | 1 | Bolt-HH |
| 8 | 92-0765 | 4 | Pin-Parallel | 25 | 92-0706 | 1 | Shaft-Fork |
| 9 | 92-0653 | 1 | Cover-Side | 26 | 92-0791 | 1 | Seal-Oil |
| 10 | 33114-040 | 25 | Screw-HH | 27 | 92-0743 | 1 | Breather-Air |
| 11 | 92-0809 | 1 | Set-Shim | 28 | 92-0804 | 1 | Stud |
| 12 | 92-0787 | 1 | O-Ring | 29 | 92-0790 | 1 | O-Ring |
| 13 | 92-0773 | 1 | Plug-Drain | 30 | 92-0655 | 1 | Cover-Seal, Axle |
| 14 | 92-0789 | 1 | O-Ring | 31 | 92-0796 | 5 | Bolt |
| 15 | 92-0760 | 1 | Ring-Snap | 32 | 3253-4 | 42 | Washer-Lock |
| 16 | 92-0793 | 2 | Seal-Oil | 33 | 92-0775 | 2 | Bearing |
| 17 | 92-0654 | 1 | Carrier-Differential | 34 | 100-4465 | 1 | Shim (W/Tab) |

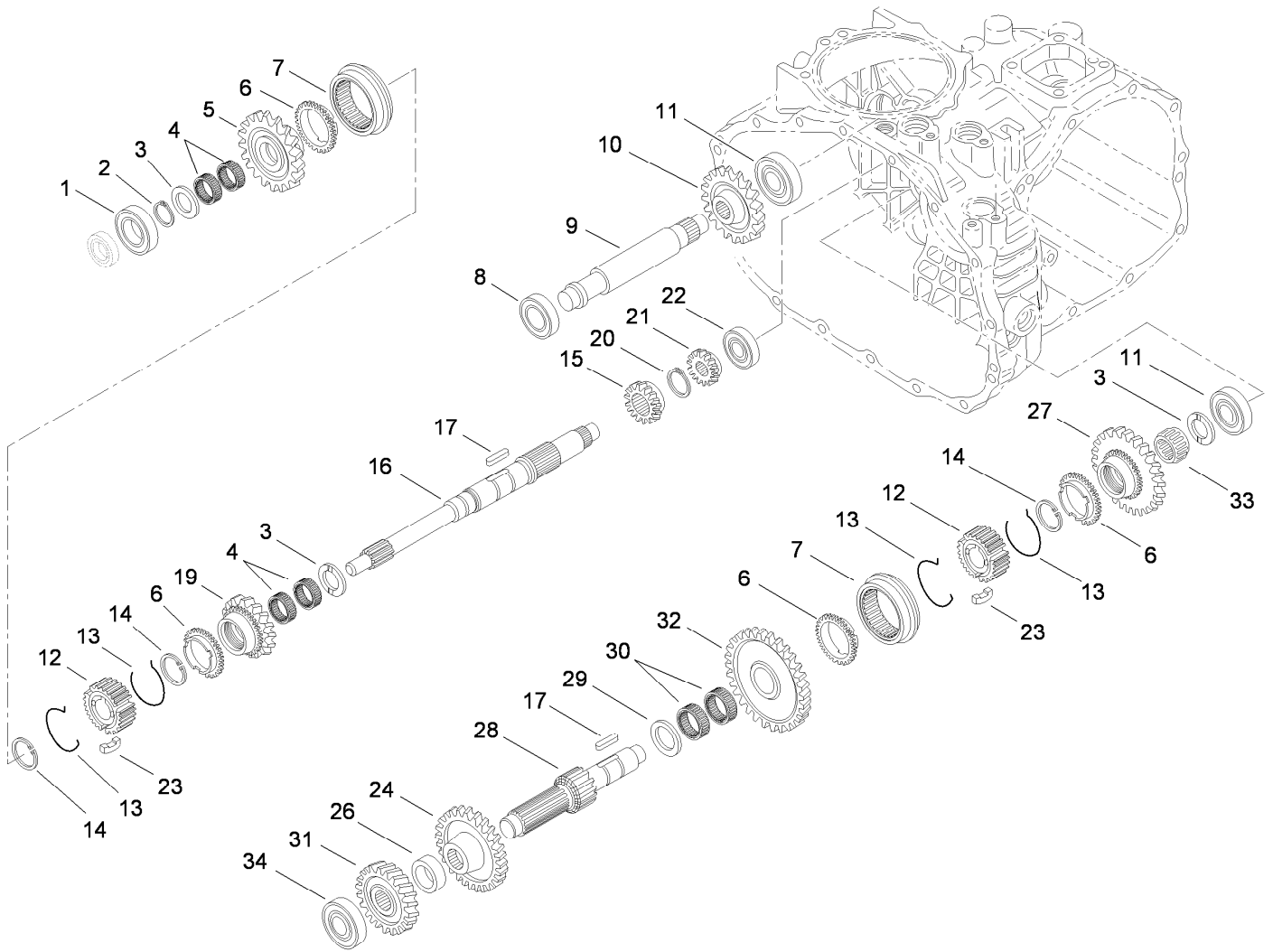
● Not illustrated



Case Assembly Transaxle Assembly No. 104-9078 (continued)

| <i>Ref.</i> | <i>Part Number</i> | <i>Qty.</i> | <i>Description</i> | <i>Ref.</i> | <i>Part Number</i> | <i>Qty.</i> | <i>Description</i> |
|-------------|--------------------|-------------|--------------------|-------------|--------------------|-------------|----------------------|
| 35 | 100-6924 | 1 | Plug | 39 | 48-8020 | 1 | Washer-Spring |
| 36 | 100-6925 | 1 | Packing | 40 | 110-5196 | 2 | Plug-Transaxle |
| 37 | 120-4800 | 1 | Sensor-Geartooth | 99 | 100-6928 | 1 | Bolt ● |
| 38 | 48-7610 | 1 | Screw | 99 | 100-8594 | 1 | Cover-Shaft, Input ● |

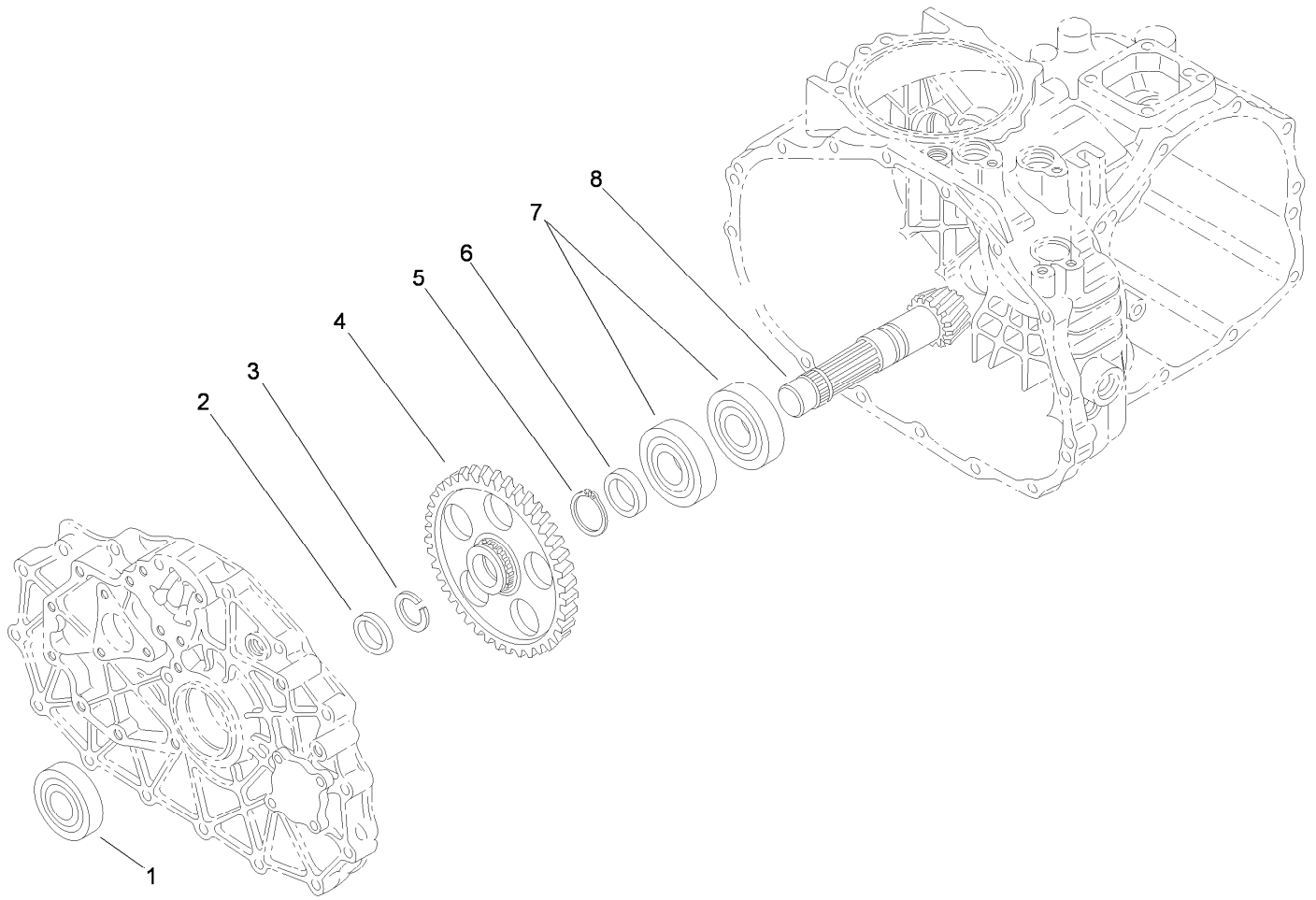
● Not illustrated



Gear Shaft Assembly Transaxle Assembly No. 104-9078

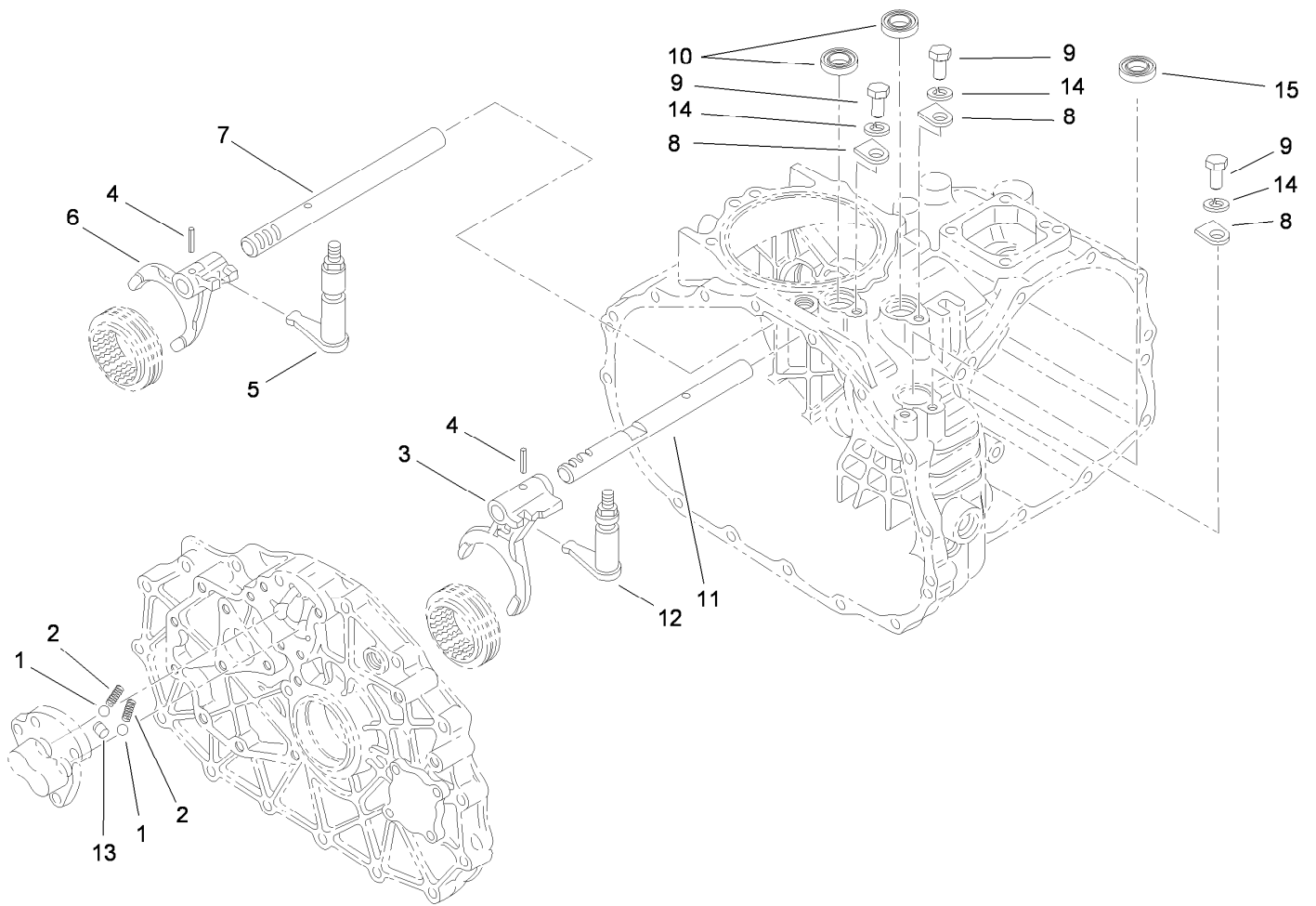
| Ref. | Part Number | Qty. | Description |
|------|-------------|------|------------------------|
| 1 | 251-8 | 1 | Bearing-Ball |
| 2 | 92-0753 | 1 | Ring-Snap |
| 3 | 92-0740 | 3 | Washer-Thrust |
| 4 | 92-0781 | 4 | Bearing-Needle |
| 5 | 108-3694 | 1 | Gear-Main, 36T |
| 6 | 92-0667 | 3 | Ring-Synchro |
| 7 | 92-0668 | 2 | Shifter-Synchro |
| 8 | 251-346 | 2 | Bearing-Ball |
| 9 | 100-8602 | 1 | Shaft-Idler, Reverse |
| 10 | 92-0684 | 1 | Gear-Reverse, 33 Tooth |
| 11 | 92-0778 | 2 | Bearing |
| 12 | 92-0664 | 2 | Hub-Synchro |
| 13 | 92-0666 | 4 | Spring-Synchro |
| 14 | 92-0763 | 3 | Ring-Snap |
| 15 | 100-8598 | 1 | Gear-Main, 20 Tooth |
| 16 | 100-8596 | 1 | Shaft-Main |

| Ref. | Part Number | Qty. | Description |
|------|-------------|------|--------------------------|
| 17 | 92-0772 | 2 | Key |
| 19 | 108-3695 | 1 | Gear-Main, 22T |
| 20 | 92-0754 | 1 | Ring-Snap |
| 21 | 92-0673 | 1 | Gear-Main, 14 Tooth |
| 22 | 92-0650 | 1 | Bearing |
| 23 | 92-0665 | 6 | Key-Synchro |
| 24 | 92-0676 | 1 | Gear-Reduction, 32 Tooth |
| 26 | 100-8601 | 1 | Collar |
| 27 | 92-0819 | 1 | Gear-Reduction, 40 Tooth |
| 28 | 92-0674 | 1 | Shaft-Reduction |
| 29 | 92-0682 | 1 | Washer-Thrust |
| 30 | 92-0681 | 2 | Bearing-Needle |
| 31 | 100-8599 | 1 | Gear-Red, 25 Tooth |
| 32 | 108-3697 | 1 | Gear-Reduction, 47T |
| 33 | 92-0782 | 1 | Bearing-Needle |
| 34 | 105-7985 | 1 | Bearing |



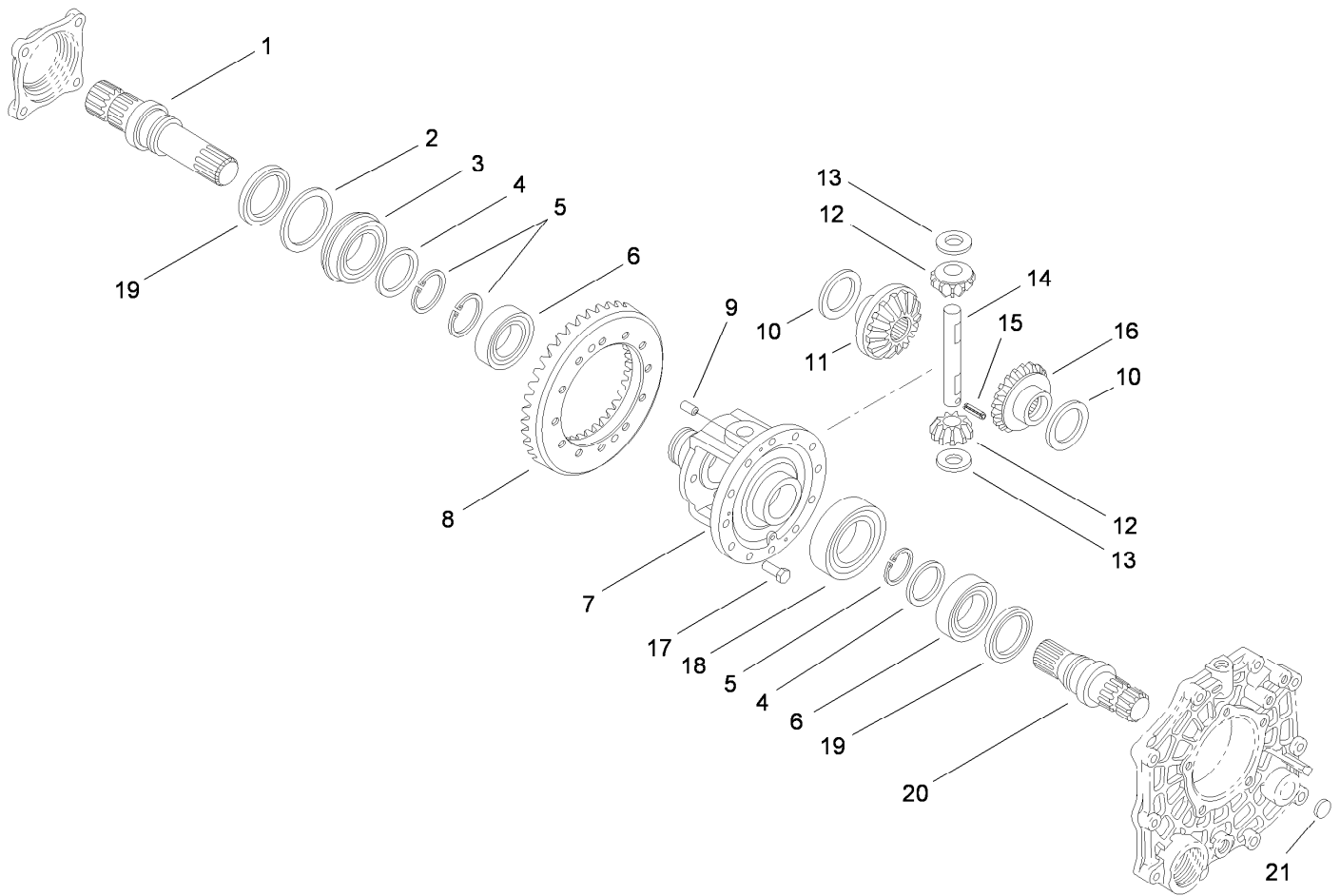
Countershaft Assembly Transaxle Assembly No. 104-9078

| <i>Ref.</i> | <i>Part Number</i> | <i>Qty.</i> | <i>Description</i> |
|-------------|--------------------|-------------|--------------------|
| 1 | 92-0712 | 1 | Bearing-Ball |
| 2 | 92-0716 | 1 | Collar |
| 3 | 92-0764 | 1 | Ring-Snap |
| 4 | 100-8603 | 1 | Gear-Count |
| 5 | 92-0755 | 1 | Ring-Snap |
| 6 | 92-0713 | 1 | Collar |
| 7 | 92-0714 | 2 | Bearing |
| 8 | 92-0710 | 1 | Gear-Ring |



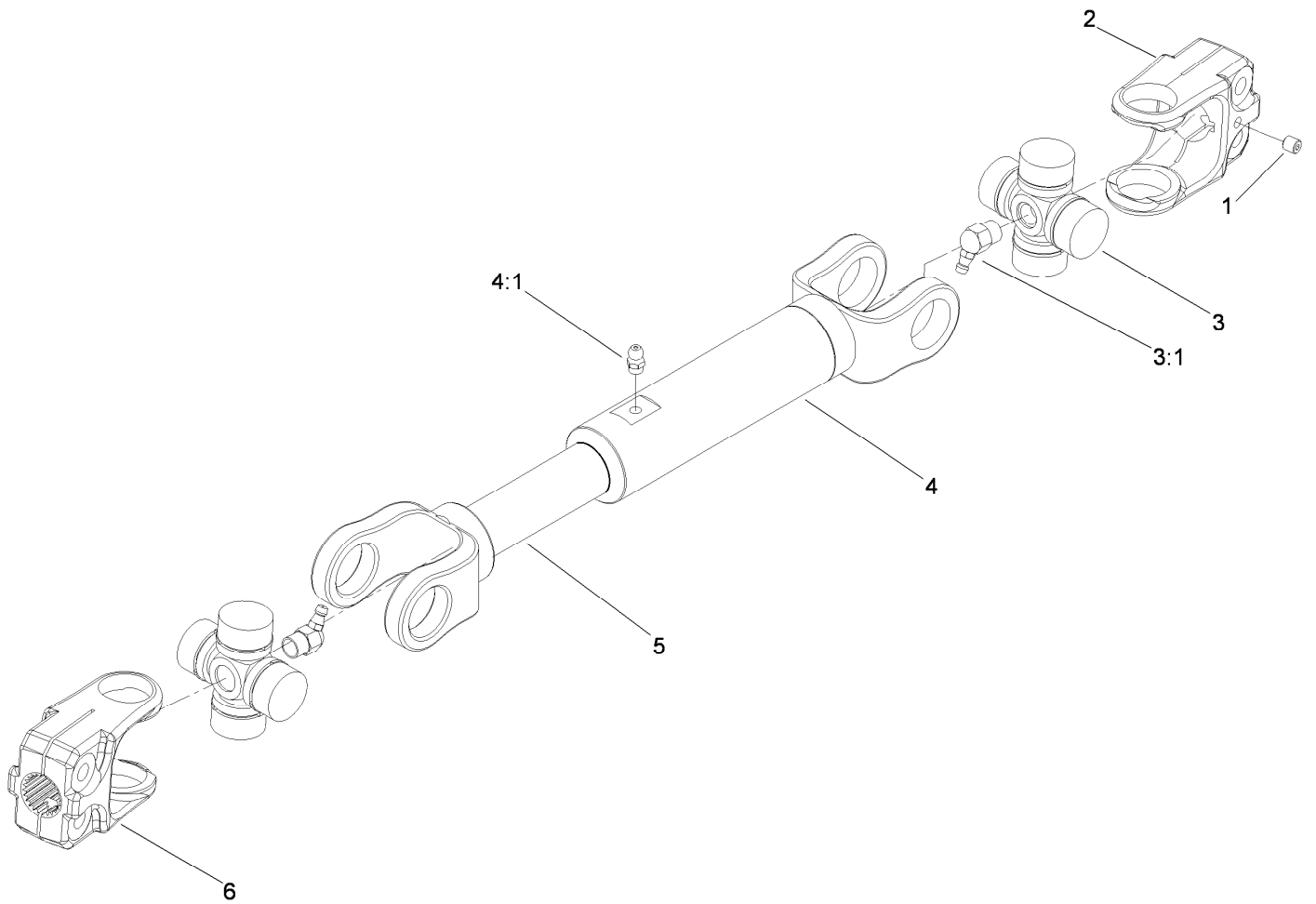
Shift Fork Assembly Transaxle Assembly No. 104-9078

| <i>Ref.</i> | <i>Part Number</i> | <i>Qty.</i> | <i>Description</i> |
|-------------|--------------------|-------------|--------------------|
| 1 | 92-0785 | 3 | Ball-Steel |
| 2 | 92-0731 | 3 | Spring |
| 3 | 92-0700 | 1 | Fork-Shift |
| 4 | 92-0769 | 2 | Pin-Roll |
| 5 | 92-0817 | 1 | Arm-Shift |
| 6 | 92-0701 | 1 | Fork-Shift |
| 7 | 92-0699 | 1 | Shaft-Fork |
| 8 | 92-0732 | 3 | Plate-Keeper |
| 9 | 33114-016 | 3 | Screw-HH |
| 10 | 92-0729 | 3 | Seal-Oil |
| 11 | 92-0698 | 1 | Shaft-Fork |
| 12 | 92-0816 | 1 | Arm-Shift |
| 13 | 92-0705 | 1 | Lock-Spindle |
| 14 | 3253-4 | 3 | Washer-Lock |
| 15 | 100-6927 | 1 | Cap-Sealing |



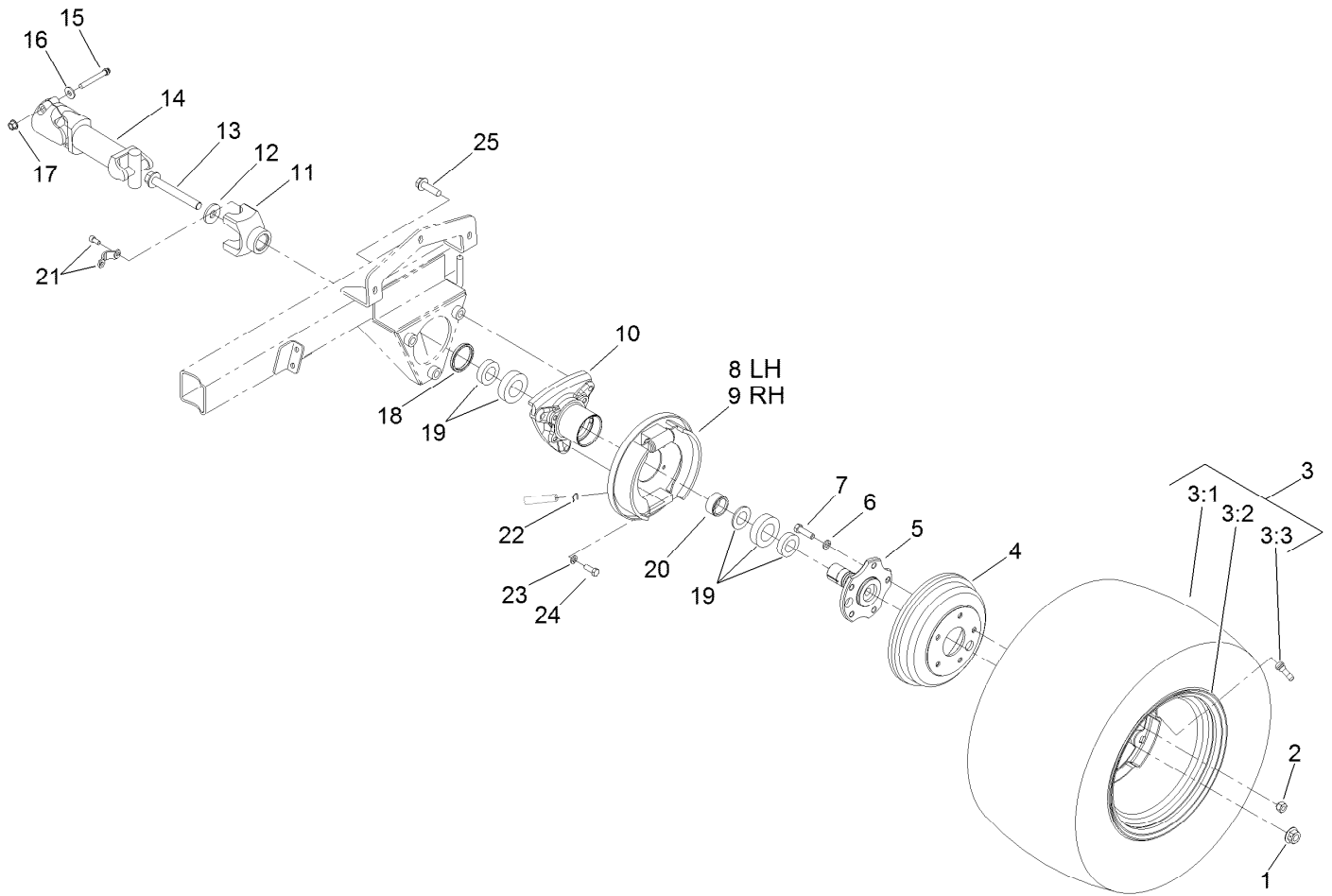
Differential Gear Assembly Transaxle Assembly No. 104-9078

| <i>Ref.</i> | <i>Part Number</i> | <i>Qty.</i> | <i>Description</i> | <i>Ref.</i> | <i>Part Number</i> | <i>Qty.</i> | <i>Description</i> |
|-------------|--------------------|-------------|-------------------------------------|-------------|--------------------|-------------|---------------------|
| 1 | 92-0726 | 1 | Shaft-Axle, Right | 11 | 92-0746 | 1 | Gear-Side, RH |
| 2 | 92-0728 | 1 | Washer | 12 | 92-0748 | 2 | Pinion-Differential |
| 3 | 92-0780 | 1 | Bearing | 13 | 92-0750 | 2 | Washer |
| 4 | 92-0727 | 2 | Washer | 14 | 92-0749 | 1 | Shaft-Pinion |
| 5 | 92-0756 | 3 | Ring-Snap | 15 | 92-0768 | 2 | Pin-Roll, Spring |
| 6 | 92-0775 | 2 | Bearing | 16 | 92-0745 | 1 | Gear-Side, LH |
| 7 | 92-0720 | 1 | Case-Differential | 17 | 92-0803 | 12 | Bolt |
| 8 | 92-0710 | 1 | Ring Gear ASM (Incl. Counter Shaft) | 18 | 92-0776 | 1 | Bearing |
| 9 | 92-0765 | 2 | Pin-Parallel | 19 | 92-0793 | 2 | Seal-Oil |
| 10 | 92-0747 | 2 | Side-Gear, Left Inner | 20 | 92-0725 | 1 | Shaft-Axle, Left |
| | | | | 21 | 100-6926 | 1 | Cap-Sealing |



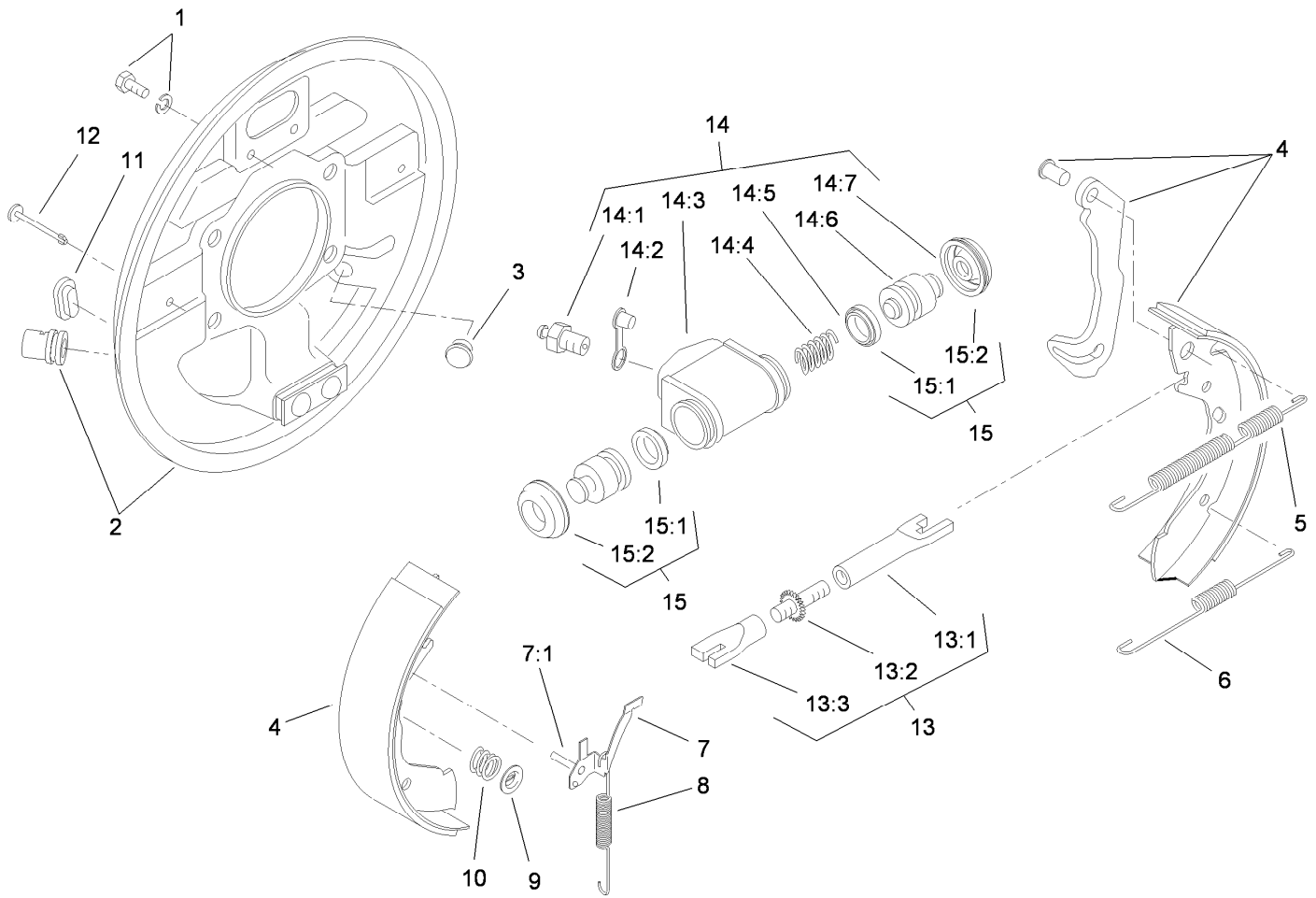
Drive Shaft Assembly No. 119-6040

| <i>Ref.</i> | <i>Part Number</i> | <i>Qty.</i> | <i>Description</i> |
|-------------|--------------------|-------------|--------------------|
| 1 | 3245-32 | 1 | Screw-HSH |
| 2 | 100-8633 | 1 | Yoke-Keyed |
| 3 | 54-9180 | 2 | U-Joint Kit |
| 3:1 | 62-3820 | 1 | Fitting-Grease |
| 4 | 110-4706 | 1 | Tube-Yoke, Slip |
| 4:1 | 302-58 | 1 | Fitting-Straight |
| 5 | 110-4705 | 1 | Shaft-Yoke, Slip |
| 6 | 100-8632 | 1 | Yoke-Splined |



Rear Wheel and Brake Assembly

| Ref. | Part Number | Qty. | Description | Ref. | Part Number | Qty. | Description |
|------|-------------|------|-------------------------|------|-------------|------|-----------------------|
| 1 | 105-1764 | 2 | Nut-Flange, Side Lock | 12 | 104-9216 | 2 | Washer-Hardened |
| 2 | 321077 | 10 | Nut-Wheel | 13 | 105-1763 | 2 | Screw-HHF |
| 3 | 110-5134 | 2 | Rear Tire And Wheel ASM | 14 | 98-2918 | 2 | Driveshaft ASM |
| 3:1 | 110-5132 | 1 | Tire | 15 | 98-2939 | 4 | Screw-Cap |
| 3:2 | 87-6750 | 1 | Wheel | 16 | 80-6990 | 4 | Washer-Hardened |
| 3:3 | 232-27 | 1 | Stem-Valve | 17 | 32128-36 | 4 | Nut-HF |
| 4 | 93-7128 | 2 | Drum-Brake | 18 | 87-3590 | 2 | Seal-Bearing |
| 5 | 105-1717-03 | 2 | Axle-Stub | 19 | 87-1970 | 2 | Bearing-Matched Set |
| 6 | 3253-6 | 10 | Washer-Lock | 20 | 87-4060 | 2 | Spacer-Bearing, Wheel |
| 7 | 87-2080 | 10 | Bolt-Hex, TAP | 21 | 92-4189 | 2 | Strap Kit |
| 8 | 112-7961 | 1 | LH Rear Brake ASM | 22 | 87-3310 | 2 | Clip-Cable, Brake |
| 9 | 112-7962 | 1 | RH Rear Brake ASM | 23 | 3253-21 | 8 | Washer-Lock |
| 10 | 87-2240 | 2 | Housing-Axle | 24 | 323-6 | 8 | Screw-HH |
| 11 | 92-4190 | 2 | Yoke | 25 | 3234-22 | 6 | Screw-HHF |

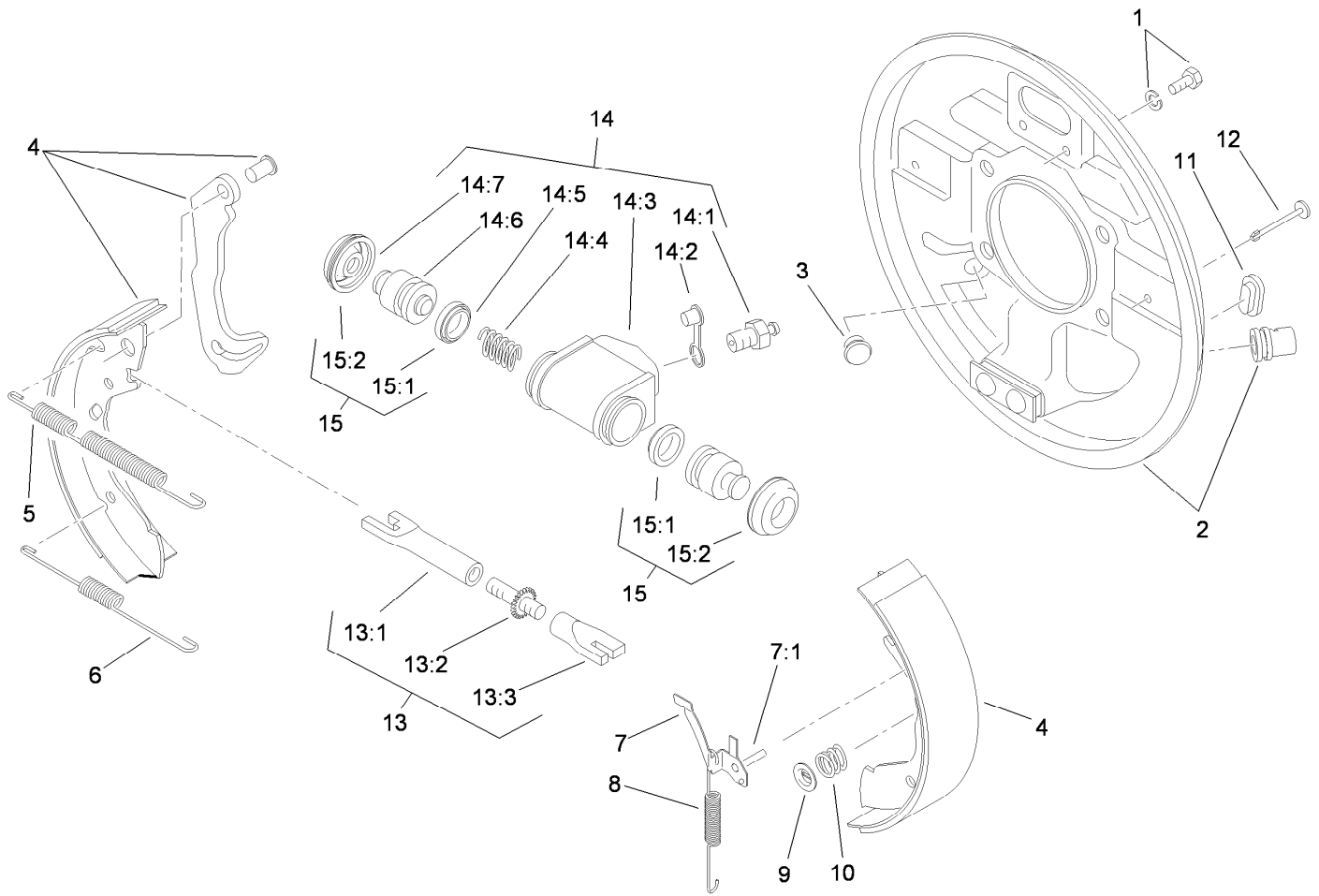


LH Rear Brake Assembly No. 112-7961

| Ref. | Part Number | Qty. | Description | Ref. | Part Number | Qty. | Description |
|------|-------------|------|---------------------------------|------|-------------|------|-----------------------|
| 1 | 92-4135 | 2 | Bolt-Set | 13 | 92-4144 | 1 | LH Adjuster ASM |
| 2 | 112-7968 | 1 | LH Backplate ASM | 13:1 | | 1 | Pushrod-Female ■ |
| 3 | 92-4146 | 1 | Plunger ASM | 13:2 | | 1 | Bolt-Adjuster ■ |
| 4 | 112-7978 | 1 | Lined Shoe Kit | 13:3 | | 1 | Sleeve-Adjuster ■ |
| 5 | 92-4147 | 1 | Spring-Return, Shoe (Upper, LH) | 14 | 92-4140 | 1 | LH Wheel Cylinder ASM |
| 6 | 92-4149 | 1 | Spring-Return, Shoe (Lower) | 14:1 | 92-4137 | 1 | Screw-Bleed |
| 7 | 92-4123 | 1 | LH Pawl Lever ASM | 14:2 | 92-4114 | 1 | Cap-Screw, Bleed |
| 7:1 | | 1 | Pin-Pawl ■ | 14:3 | | 1 | Body ■ |
| 8 | 92-4150 | 1 | Spring-Adjuster, LH | 14:4 | | 1 | Spring ■ |
| 9 | 92-4131 | 2 | Washer-Hold Down, Shoe | 14:5 | | 2 | Seal-L Type ■ |
| 10 | 92-4152 | 2 | Spring-Hold Down, Shoe | 14:6 | | 2 | Piston ■ |
| 11 | 92-4134 | 1 | Plug-Inspection | 14:7 | | 2 | Cover-Dust ■ |
| 12 | 92-4133 | 2 | Pin-Hold Down, Shoe | 15 | 92-4142 | 1 | Seal Kit ● |
| | | | | 15:1 | | 2 | Seal-L Type ■ |
| | | | | 15:2 | | 2 | Cover-Dust ■ |

● Not illustrated

■ Not serviced separately

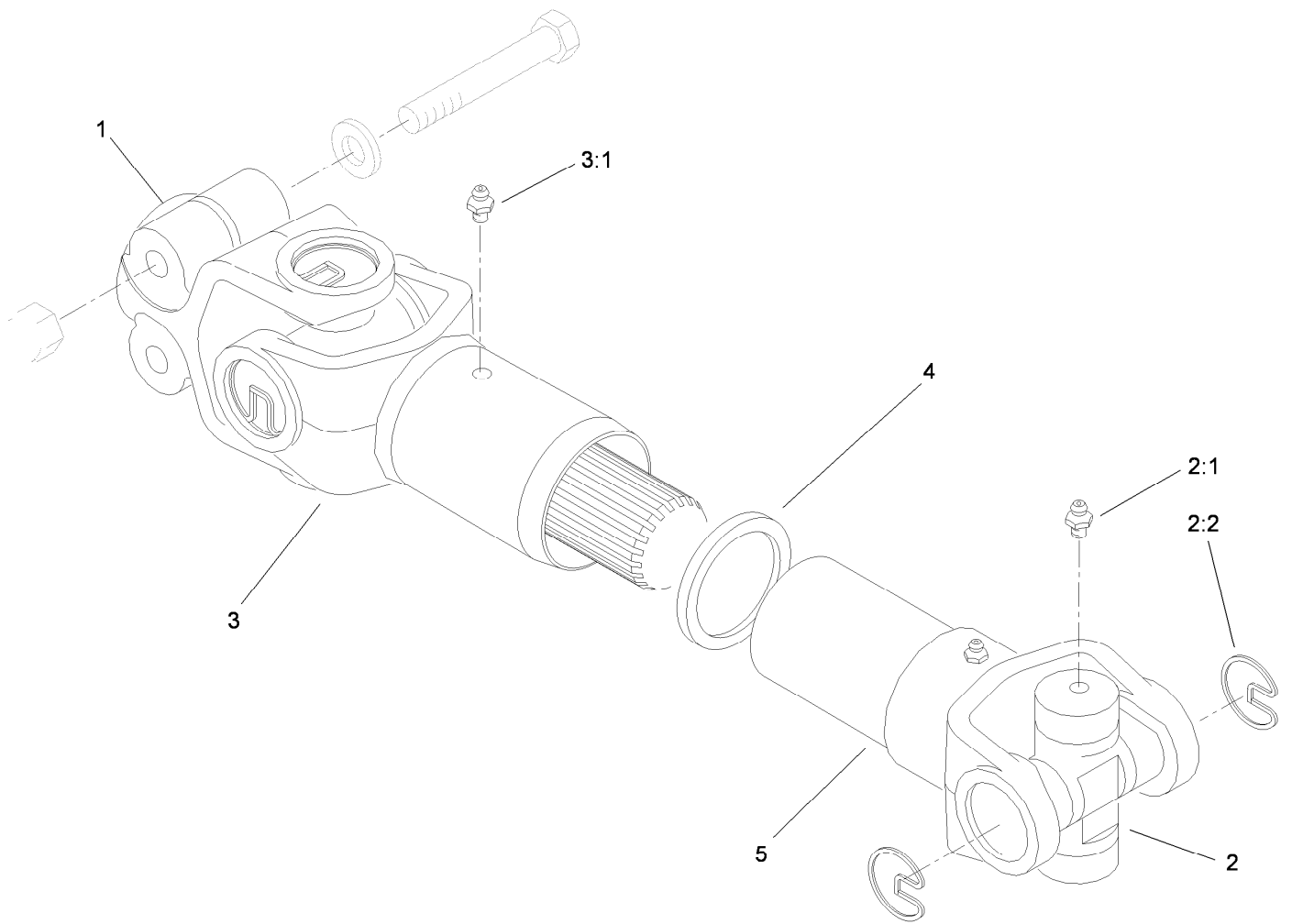


RH Rear Brake Assembly No. 112-7962

| Ref. | Part Number | Qty. | Description | Ref. | Part Number | Qty. | Description |
|------|-------------|------|---------------------------------|------|-------------|------|-----------------------|
| 1 | 92-4135 | 2 | Bolt-Set | 13 | 92-4145 | 1 | RH Adjustor ASM |
| 2 | 112-7967 | 1 | RH Backplate ASM | 13:1 | | 1 | Pushrod-Female ■ |
| 3 | 92-4146 | 1 | Plunger ASM | 13:2 | | 1 | Bolt-Adjuster ■ |
| 4 | 112-7978 | 1 | Lined Shoe Kit | 13:3 | | 1 | Sleeve-Adjuster ■ |
| 5 | 92-4148 | 1 | Spring-Return, Shoe (Upper, RH) | 14 | 92-4141 | 1 | RH Wheel Cylinder ASM |
| 6 | 92-4149 | 1 | Spring-Return, Shoe (Lower) | 14:1 | 92-4137 | 1 | Screw-Bleed |
| 7 | 92-4124 | 1 | RH Pawl Lever ASM | 14:2 | 92-4114 | 1 | Cap-Screw, Bleed |
| 7:1 | | 1 | Pin-Pawl ■ | 14:3 | | 1 | Body ■ |
| 8 | 92-4151 | 1 | Spring-Adjuster, RH | 14:4 | | 1 | Spring ■ |
| 9 | 92-4131 | 2 | Washer-Hold Down, Shoe | 14:5 | | 2 | Seal-L Type ■ |
| 10 | 92-4152 | 2 | Spring-Hold Down, Shoe | 14:6 | | 2 | Piston ■ |
| 11 | 92-4134 | 1 | Plug-Inspection | 14:7 | | 2 | Cover-Dust ■ |
| 12 | 92-4133 | 2 | Pin-Hold Down, Shoe | 15 | 92-4142 | 1 | Seal Kit ● |
| | | | | 15:1 | | 2 | Seal-L Type ■ |
| | | | | 15:2 | | 2 | Cover-Dust ■ |

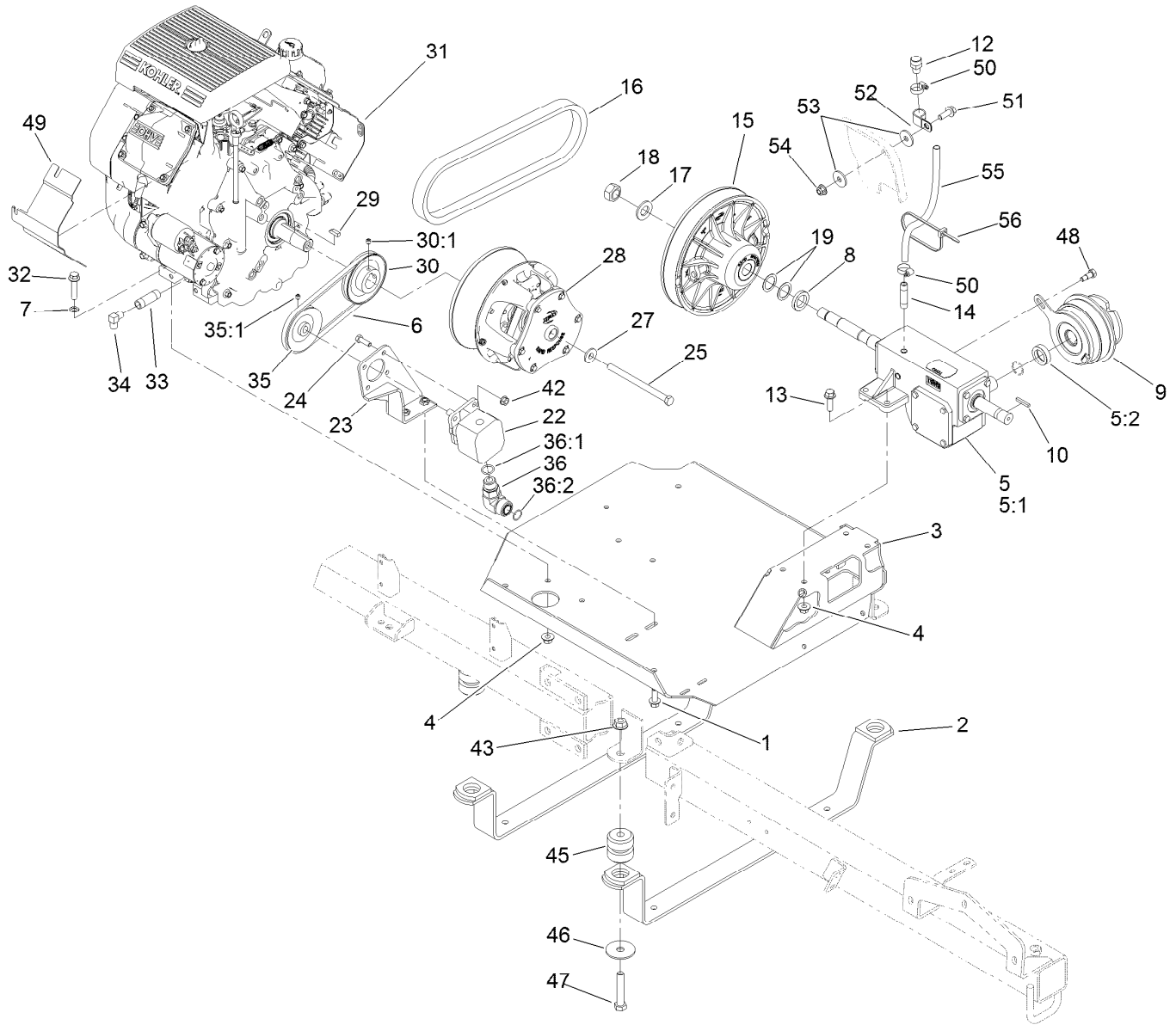
● Not illustrated

■ Not serviced separately



Driveshaft Assembly No. 98-2918

| <i>Ref.</i> | <i>Part Number</i> | <i>Qty.</i> | <i>Description</i> |
|-------------|--------------------|-------------|---------------------------|
| 1 | 98-2940 | 1 | Yoke |
| 2 | 92-4187 | 2 | Cross And Bearing Kit |
| 2:1 | 302-58 | 4 | Fitting-Straight |
| 2:2 | 92-4188 | 4 | Ring-Snap |
| 3 | 92-4179 | 1 | Yoke-Tube, Shaft And Seal |
| 3:1 | 302-5 | 1 | Fitting-Grease |
| 4 | 92-4180 | 1 | Seal |
| 5 | 92-4182 | 1 | Yoke-Telescoping |



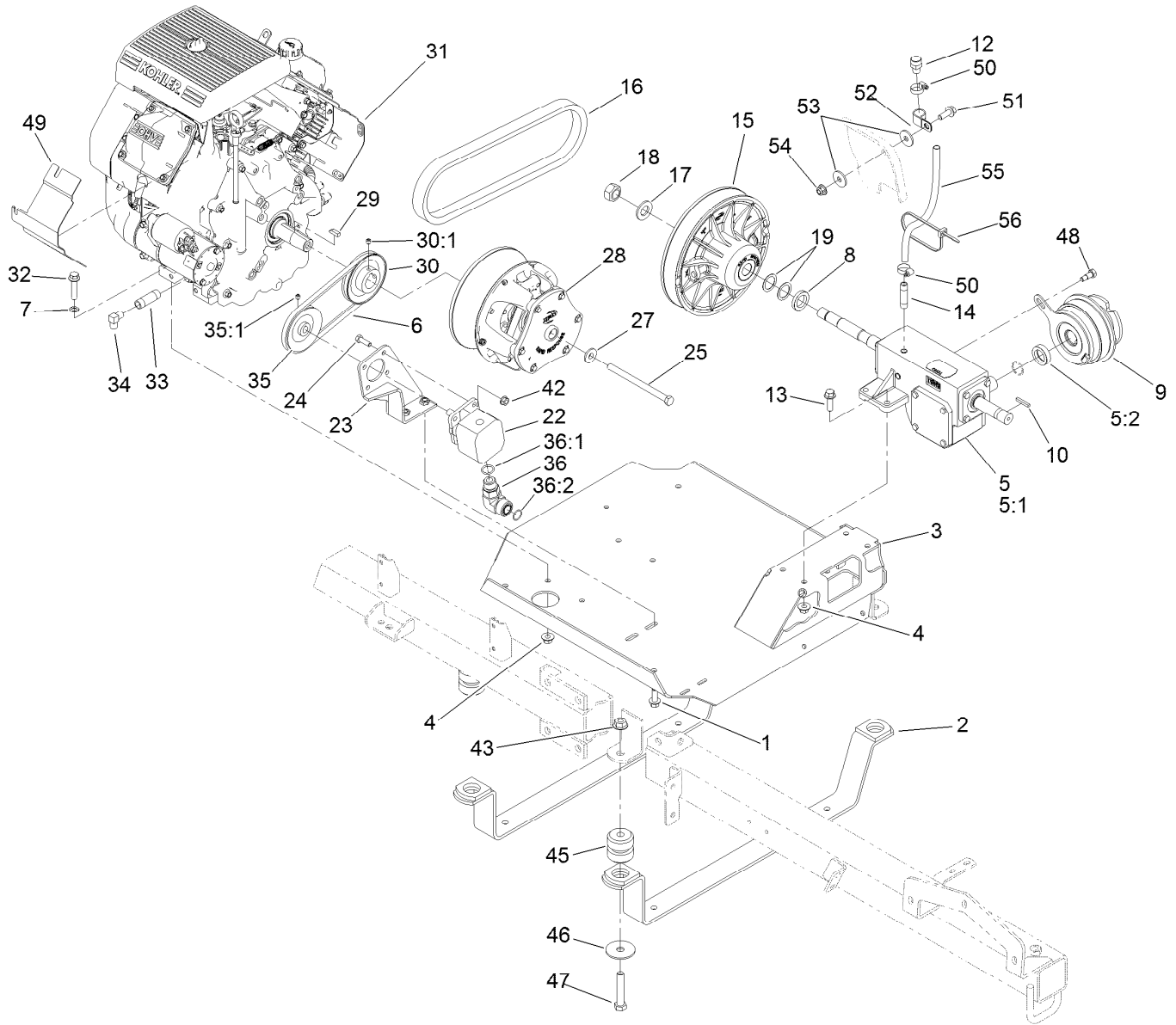
Engine and Gearbox Assembly

| Ref. | Part Number | Qty. | Description | Ref. | Part Number | Qty. | Description |
|------|-------------|------|-------------------------------|------|-------------|------|-------------------------------|
| 1 | 3234-11 | 6 | Screw-HHF | 17 | 3256-28 | 1 | Washer-Flat |
| 2 | 100-8377-03 | 2 | Strap-Support, Engine | 18 | 120-8512 | 1 | Nut-Hex |
| 3 | 117-5890-03 | 1 | Engine Support ASM | 19 | 74-1810 | 2 | Washer |
| 4 | 32128-43 | 12 | Nut-Flange | 22 | 100-8302 | 1 | Steering Pump ASM |
| 5 | 119-6043 | 1 | Pump Drive Gear Box ASM | 23 | 100-8368-03 | 1 | Bracket-Pump, Steering |
| 5:1 | | 1 | Gear Box-Pump Drive ■ | 24 | 322-4 | 4 | Screw-HH |
| 5:2 | 108-3301 | 1 | Retainer-Spacer | 25 | 119-6033 | 1 | Screw-HH |
| 6 | 100-8372 | 1 | Belt-Steering | 27 | 119-6034 | 1 | Washer-Stepped |
| 7 | 3255-9 | 1 | Washer-Lock | 28 | 119-6010 | 1 | Primary Clutch ASM |
| 8 | 100-8390 | 1 | Spacer | 29 | 100-8260 | 1 | Key-Shaft |
| 9 | 100-8290 | 1 | Clutch-Electric, Pump (Drive) | 30 | 117-5870 | 1 | Pulley |
| 10 | 92-0049 | 1 | Key-Square | 30:1 | 3246-2 | 2 | Screw-Set, HSH |
| 12 | 100-6931 | 1 | Breather | 31 | | 1 | Engine-Kohler, Ch640-3046 ■ ▲ |
| 13 | 3234-24 | 4 | Screw-HHF | 31:1 | 108-3847 | 1 | Filter-Oil ● |
| 14 | 104-8766 | 1 | Nipple | 32 | 3234-19 | 4 | Screw-HHF |
| 15 | 119-6011 | 1 | Secondary Clutch ASM | 33 | 92-3647 | 1 | Nipple |
| 16 | 117-5896 | 1 | Belt-Cvt | 34 | 95023 | 1 | Elbow-90 DEG |

● Not illustrated

▲ Obtain parts from www.kohlerplus.com

■ Not serviced separately

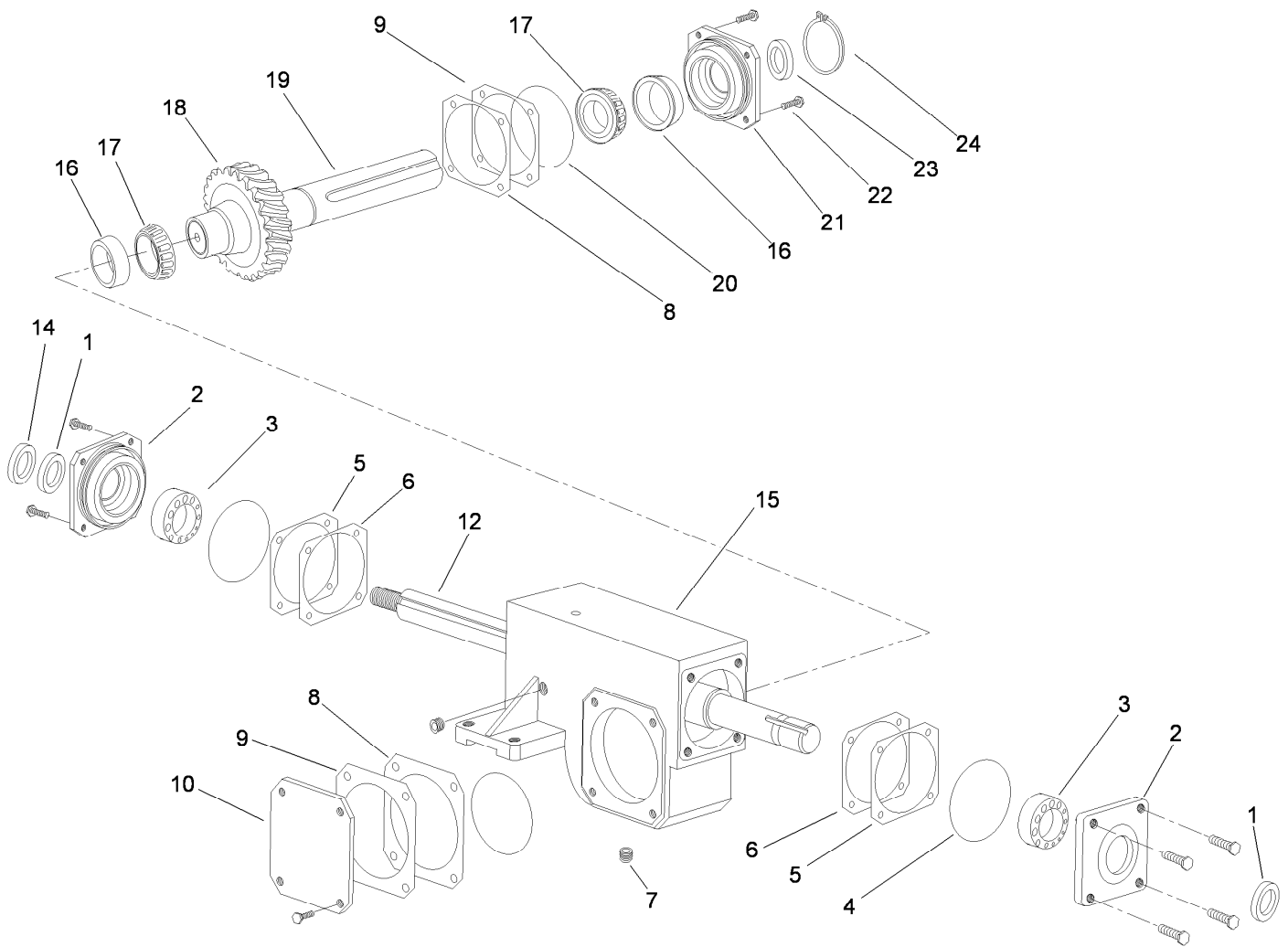


Engine and Gearbox Assembly (continued)

| Ref. | Part Number | Qty. | Description | Ref. | Part Number | Qty. | Description |
|------|-------------|------|---------------------|------|-------------|------|---------------|
| 35 | 100-8371 | 1 | Pulley-Pump | 48 | 59-5400 | 1 | Bolt-Shoulder |
| 35:1 | 3246-2 | 2 | Screw-Set, HSH | 49 | 112-7993-03 | 1 | Baffle-Engine |
| 36 | 340-16 | 1 | Fitting-HYD, 90 DEG | 50 | 2412-36 | 2 | Clamp-Hose |
| 36:1 | 237-80 | 1 | O-Ring | 51 | 3234-42 | 1 | Screw-HHF |
| 36:2 | 237-58 | 1 | O-Ring | 52 | 2412-4 | 1 | Clamp-R |
| 42 | 32128-20 | 4 | Nut-HF | 53 | 63-8410 | 2 | Washer |
| 43 | 32128-49 | 4 | Nut-HHF | 54 | 104-8301 | 1 | Nut-HF, NI |
| 45 | 106-7865 | 4 | Mount-Engine | 55 | 99-1356 | 1 | Hose-Vent |
| 46 | 41985 | 4 | Washer-Special | 56 | 3290-378 | 1 | Tie-Cable |
| 47 | 325-11 | 4 | Screw-HH | | | | |

● Not illustrated
 ▲ Obtain parts from www.kohlerplus.com

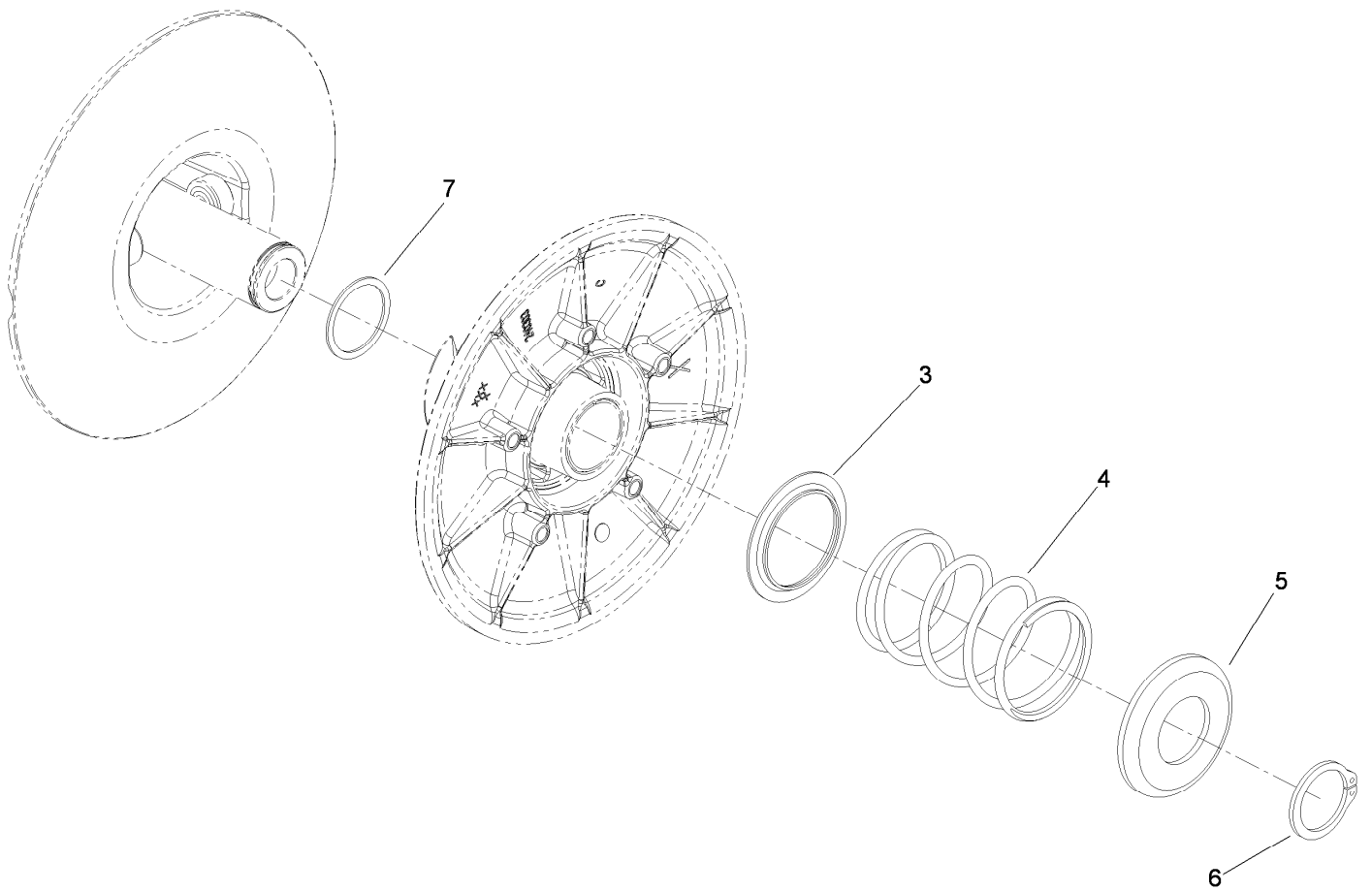
■ Not serviced separately



Pump Drive Gearbox Assembly No. 119-6043

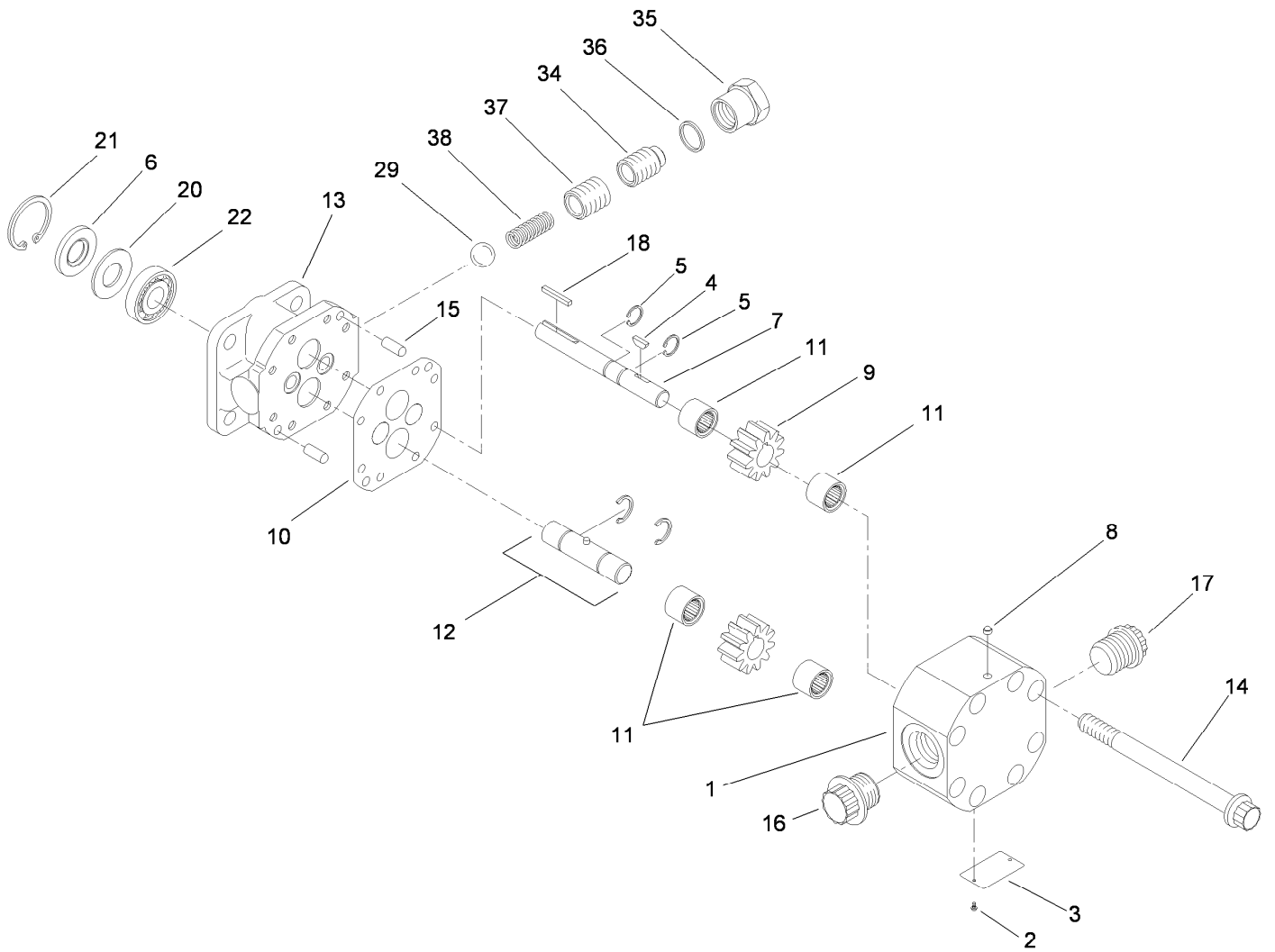
| Ref. | Part Number | Qty. | Description | Ref. | Part Number | Qty. | Description |
|------|-------------|------|-----------------|------|-------------|------|-----------------------|
| 1 | 100-6929 | 2 | Seal | 14 | 100-8390 | 1 | Spacer |
| 2 | 100-6930 | 2 | Cap-Open | 15 | | 1 | Housing-Gearbox ● |
| 3 | 251-348 | 2 | Bearing-Ball | 16 | 254-72 | 2 | Bearing-Cup, Tapered |
| 4 | 100-6932 | 2 | O-Ring | 17 | 254-94 | 2 | Bearing-Cone, Tapered |
| 5 | 100-6933 | 2 | Shim-Red, .002 | 18 | 100-6944 | 1 | Gear-Worm |
| 6 | 100-6934 | 2 | Shim-Blue, .005 | 19 | 100-6946 | 1 | Shaft-Output |
| 7 | 281-10 | 3 | Plug | 20 | 237-161 | 2 | O-Ring |
| 8 | 100-6936 | 2 | Shim-Blue, .005 | 21 | 100-6948 | 1 | Cap-Open |
| 9 | 100-6937 | 2 | Shim-Red, .002 | 22 | 321-3 | 16 | Screw-HH |
| 10 | 100-6938 | 1 | Cap-Closed | 23 | 104-8764 | 1 | Seal-Viton |
| 12 | 117-5885 | 1 | Shaft-Worm | 24 | 108-3302 | 1 | Ring-Snap |

● Not serviced separately



Secondary Clutch Assembly No. 119-6011

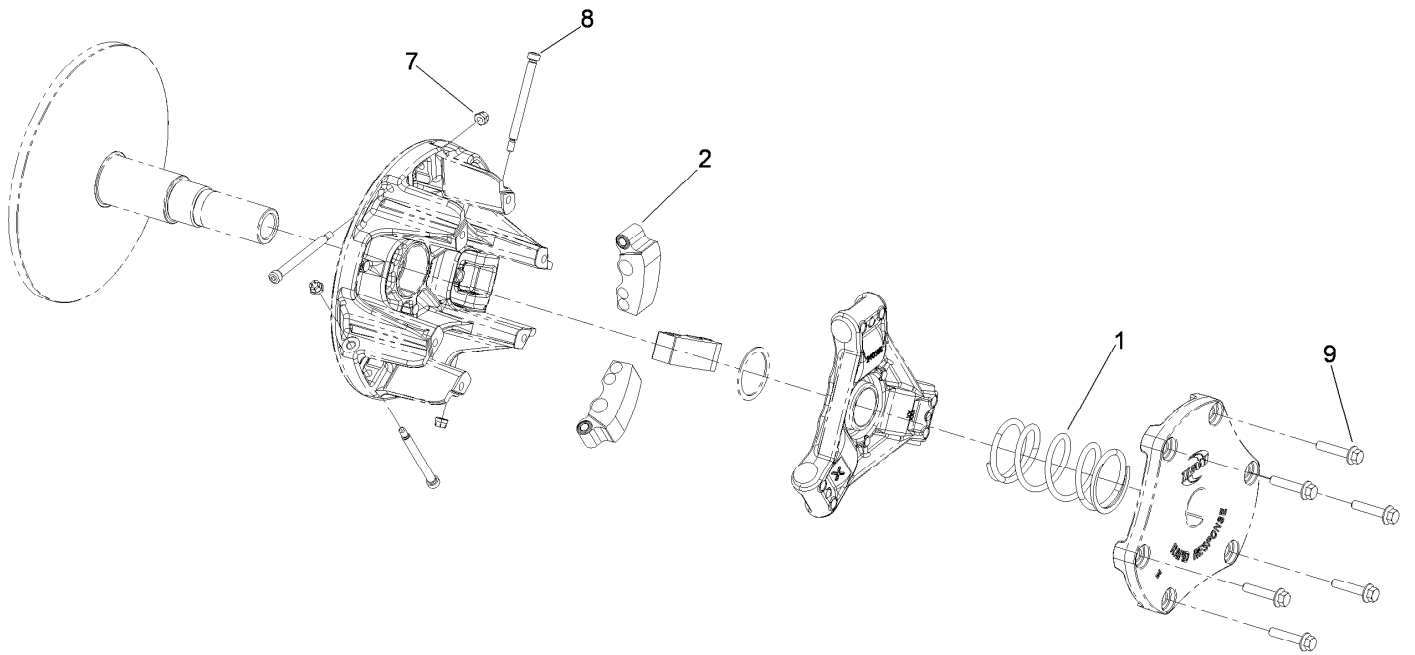
| <i>Ref.</i> | <i>Part Number</i> | <i>Qty.</i> | <i>Description</i> |
|-------------|--------------------|-------------|----------------------------------|
| 3 | 119-0809 | 1 | Cup-Spring Retainer, Inner |
| 4 | 119-9360 | 1 | Spring-Compression, Black/Almond |
| 5 | 119-0810 | 1 | Cup-Spring Retainer, Outer |
| 6 | 119-0811 | 1 | Ring-Retaining |
| 7 | 119-6018 | 1 | Shim-Thrust |



Steering Pump Assembly No. 100-8302

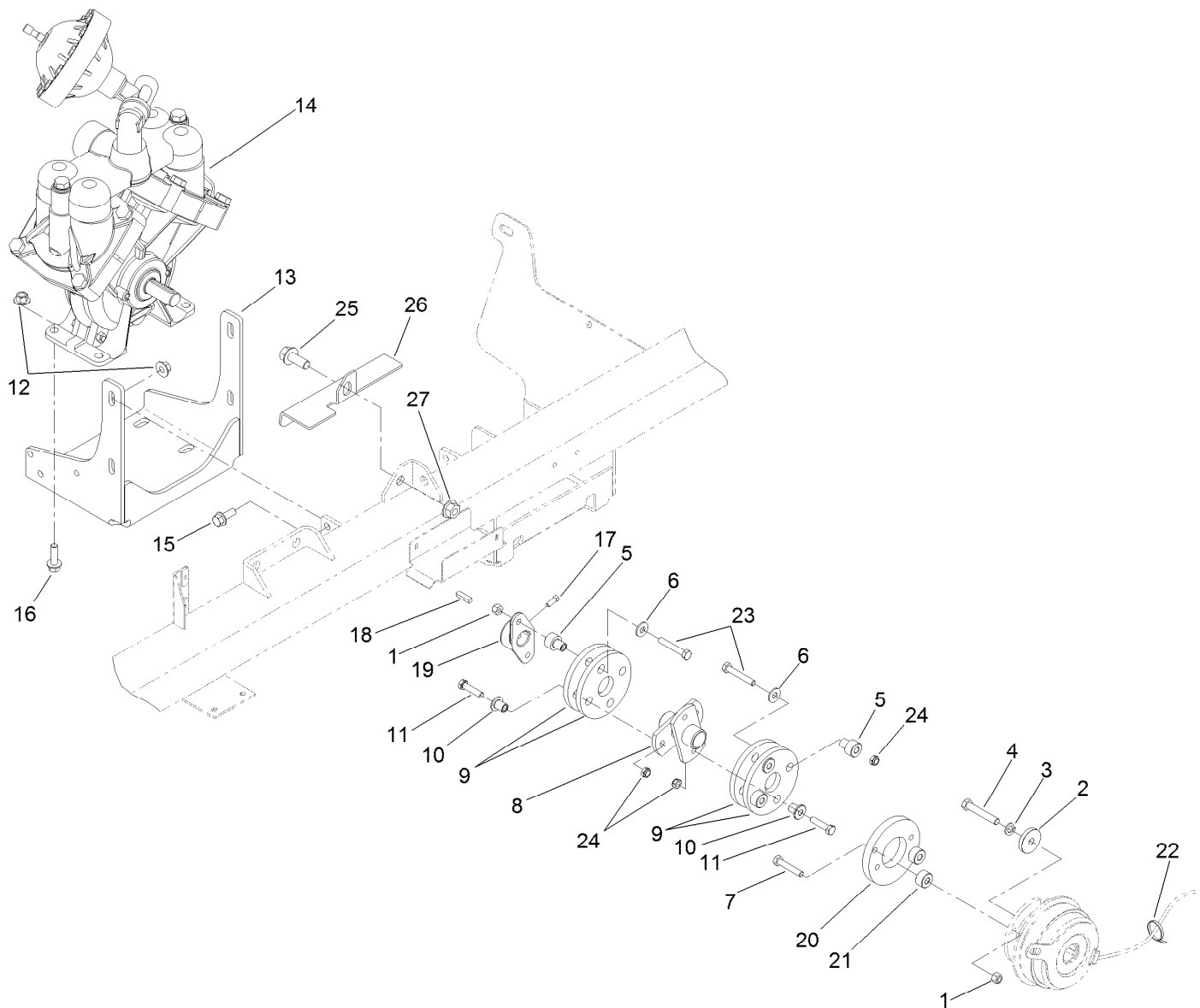
| Ref. | Part Number | Qty. | Description | Ref. | Part Number | Qty. | Description |
|------|-------------|------|----------------|------|-------------|------|-----------------------|
| 1 | | 1 | Housing ● | 15 | 92-2176 | 2 | Pin-Shear |
| 2 | | 2 | Screw ● | 16 | | 1 | Plug ● |
| 3 | | 1 | Plate-Name ● | 17 | | 1 | Plug ● |
| 4 | 100-8270 | 1 | Key | 18 | 92-3876 | 1 | Key-Shaft |
| 5 | 92-3961 | 2 | C-Ring | 20 | 92-2186 | 1 | Spacer |
| 6 | 100-8275 | 1 | Seal | 21 | 92-3873 | 1 | Snap Ring |
| 7 | 106-6852 | 1 | Shaft-Drive | 22 | 92-2191 | 1 | Bearing-Ball |
| 8 | 100-8269 | 1 | Plug-Beta | 29 | 100-8273 | 1 | Ball-Steel |
| 9 | 106-6853 | 1 | Gear | 34 | 100-8272 | 1 | Screw |
| 10 | 106-6854 | 1 | Gasket Kit | 35 | 92-2184 | 1 | Cap-Hex, Relief Valve |
| 11 | 106-6855 | 4 | Bearing-Needle | 36 | 92-2180 | 1 | Gasket-Copper |
| 12 | | 1 | Shaft-Idler ● | 37 | 92-3870 | 1 | Spring |
| 13 | | 1 | Stator ● | 38 | 92-3871 | 1 | Spring |
| 14 | 100-8268 | 8 | Screw | | | | |

● Not serviced separately



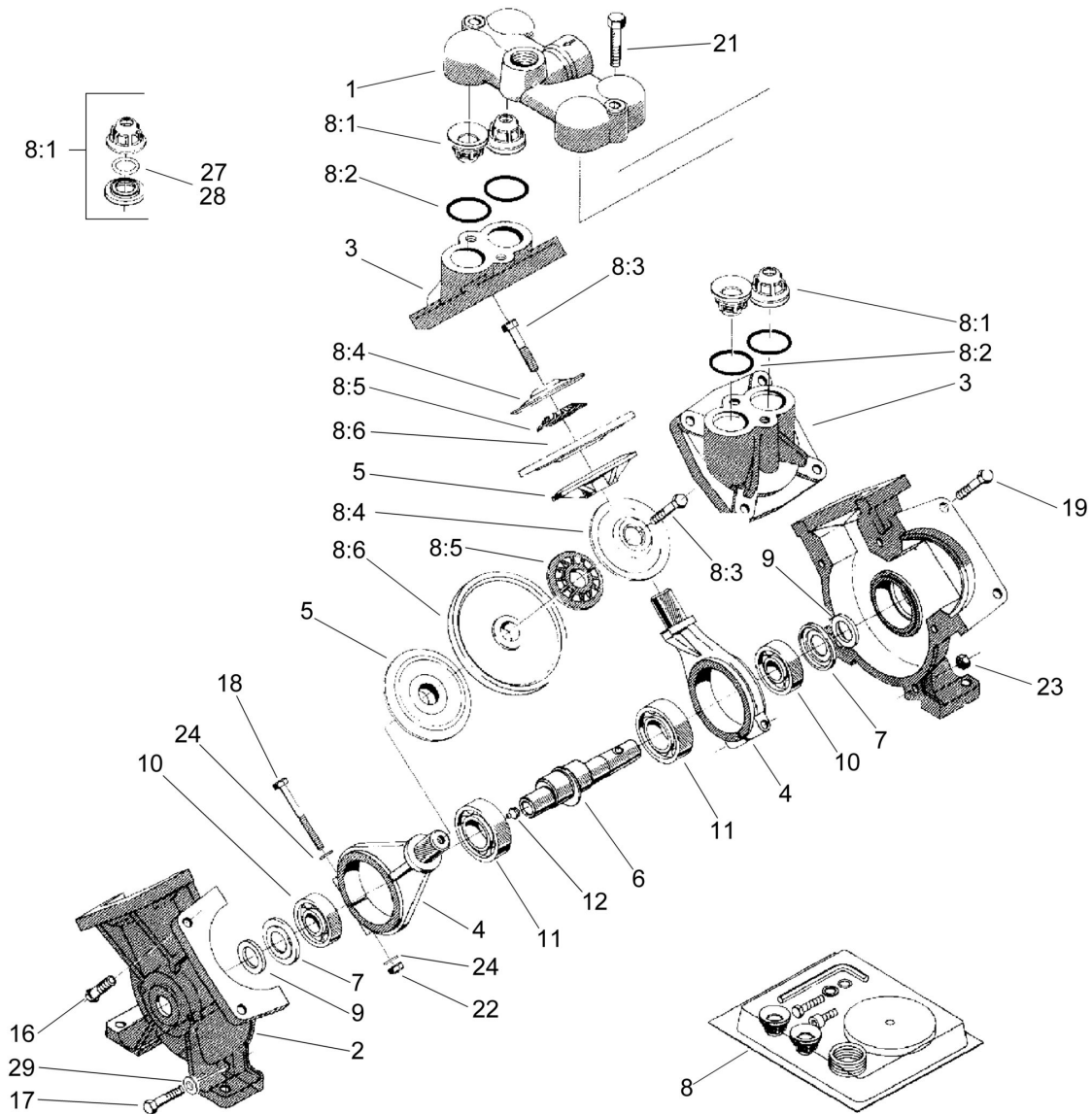
Primary Clutch Assembly No. 119-6010

| <i>Ref.</i> | <i>Part Number</i> | <i>Qty.</i> | <i>Description</i> |
|-------------|--------------------|-------------|----------------------------------|
| 1 | 119-6012 | 1 | Spring-Compression, Black/Orange |
| 2 | 119-6019 | 3 | Weight-Clutch |
| 7 | 119-6015 | 3 | Nut-Hex, Lock |
| 8 | 119-6016 | 3 | Screw-Shoulder |
| 9 | 119-6017 | 6 | Screw-HF |



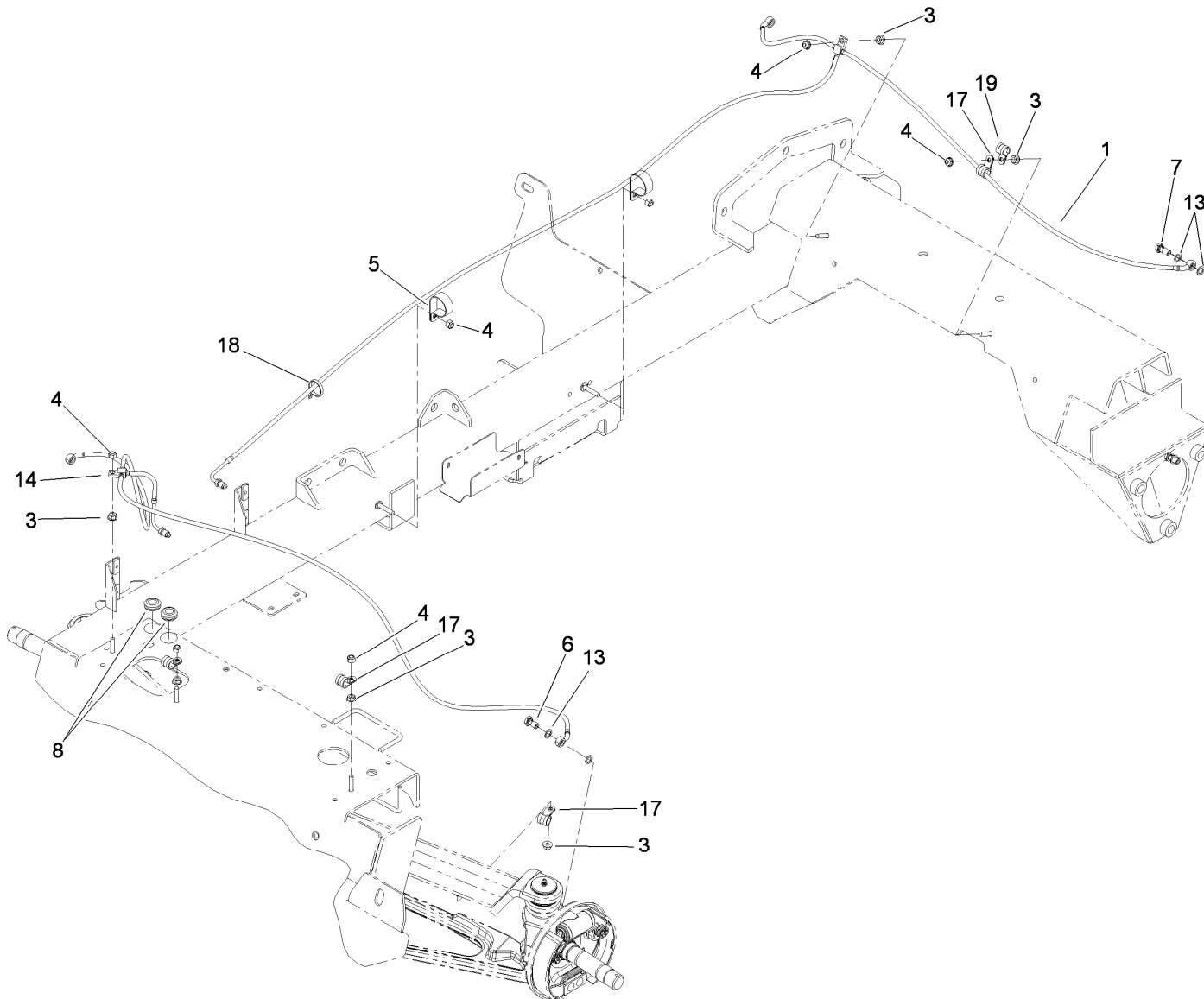
Pump Assembly

| <i>Ref.</i> | <i>Part Number</i> | <i>Qty.</i> | <i>Description</i> | <i>Ref.</i> | <i>Part Number</i> | <i>Qty.</i> | <i>Description</i> |
|-------------|--------------------|-------------|---------------------------|-------------|--------------------|-------------|--------------------|
| 1 | 3296-29 | 4 | Nut-Lock, NI | 15 | 3234-11 | 4 | Screw-HHF |
| 2 | 100-8391 | 1 | Retainer-Clutch, Electric | 16 | 3234-24 | 4 | Screw-HHF |
| 3 | 3253-5 | 1 | Washer-Lock | 17 | 3241-5 | 2 | Screw-Set |
| 4 | 3211-10 | 1 | Screw-HH | 18 | 5-7280 | 1 | Key |
| 5 | 71-4410 | 4 | Spacer | 19 | 110-5227 | 1 | Hub-Pump |
| 6 | 3256-3 | 4 | Washer-Flat | 20 | 100-8435 | 1 | Adapter-Clutch |
| 7 | 322-9 | 2 | Screw-HH | 21 | 104-8763 | 2 | Spacer |
| 8 | 107-8750-03 | 1 | Drive-Coupler | 22 | 3290-379 | 4 | Tie-Cable |
| 9 | 115-4523 | 4 | Coupling-Rubber | 23 | 322-10 | 4 | Screw-HH |
| 10 | 71-4411 | 4 | Spacer | 24 | 99-6007 | 6 | Nut-Lock, NI |
| 11 | 322-17 | 4 | Screw-HH | 25 | 3234-32 | 1 | Screw-HHF |
| 12 | 32128-43 | 8 | Nut-Flange | 26 | 119-4950-03 | 1 | Guard-Pump |
| 13 | 119-0505-03 | 1 | Bracket -Mount, Pump | 27 | 32128-49 | 1 | Nut-HHF |
| 14 | 106-5121 | 1 | Pump ASM | | | | |



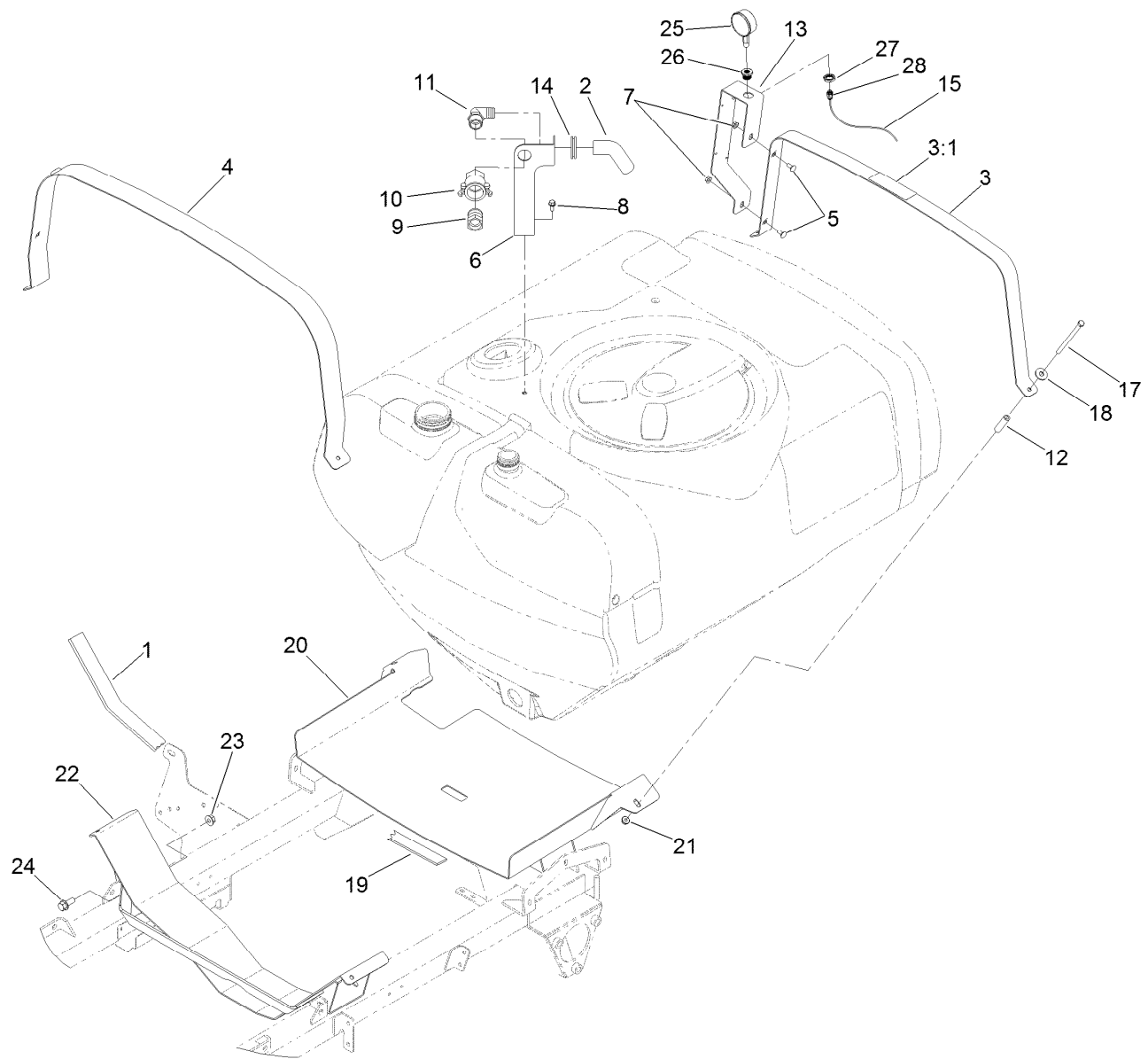
Pump Assembly No. 106-5121

| Ref. | Part Number | Qty. | Description | Ref. | Part Number | Qty. | Description |
|------|-------------|------|----------------------|------|-------------|------|----------------|
| 1 | 106-5139 | 1 | Cover-Valve | 10 | 100-8327 | 2 | Bearing-Ball |
| 2 | 106-5140 | 2 | Housing-Pump | 11 | 100-8329 | 2 | Bearing-Ball |
| 3 | 106-5141 | 2 | Cover-Diaphragm | 12 | 99-0873 | 1 | Fitting-Grease |
| 4 | 106-5142 | 2 | Rod-Connecting | 16 | 106-5143 | 3 | Bolt |
| 5 | 100-8314 | 2 | Disc-Back, Diaphragm | 17 | 106-5144 | 2 | Bolt |
| 6 | 104-9052 | 1 | Crankshaft-Keyed | 18 | 106-5145 | 2 | Bolt |
| 7 | 100-8325 | 2 | Plate-Dust | 19 | 106-5146 | 8 | Bolt |
| 8 | 106-5150 | 1 | Repair Kit | 21 | 106-5148 | 2 | Bolt |
| 8:1 | 100-8307 | 4 | Valve | 22 | 100-8326 | 2 | Nut-Hex |
| 8:2 | 100-6652 | 4 | Gasket | 23 | 106-5149 | 5 | Nut |
| 8:3 | 106-5147 | 2 | Bolt | 24 | 100-8316 | 4 | Washer-Lock |
| 8:4 | 100-8311 | 2 | Washer | 27 | 100-8336 | 4 | O-Ring |
| 8:5 | 100-8312 | 2 | Washer-Nylon | 28 | 106-5138 | 4 | O-Ring |
| 8:6 | 100-8313 | 2 | Diaphragm | 29 | 106-5137 | 2 | Washer |
| 9 | 99-0868 | 2 | Felt-Seal | | | | |



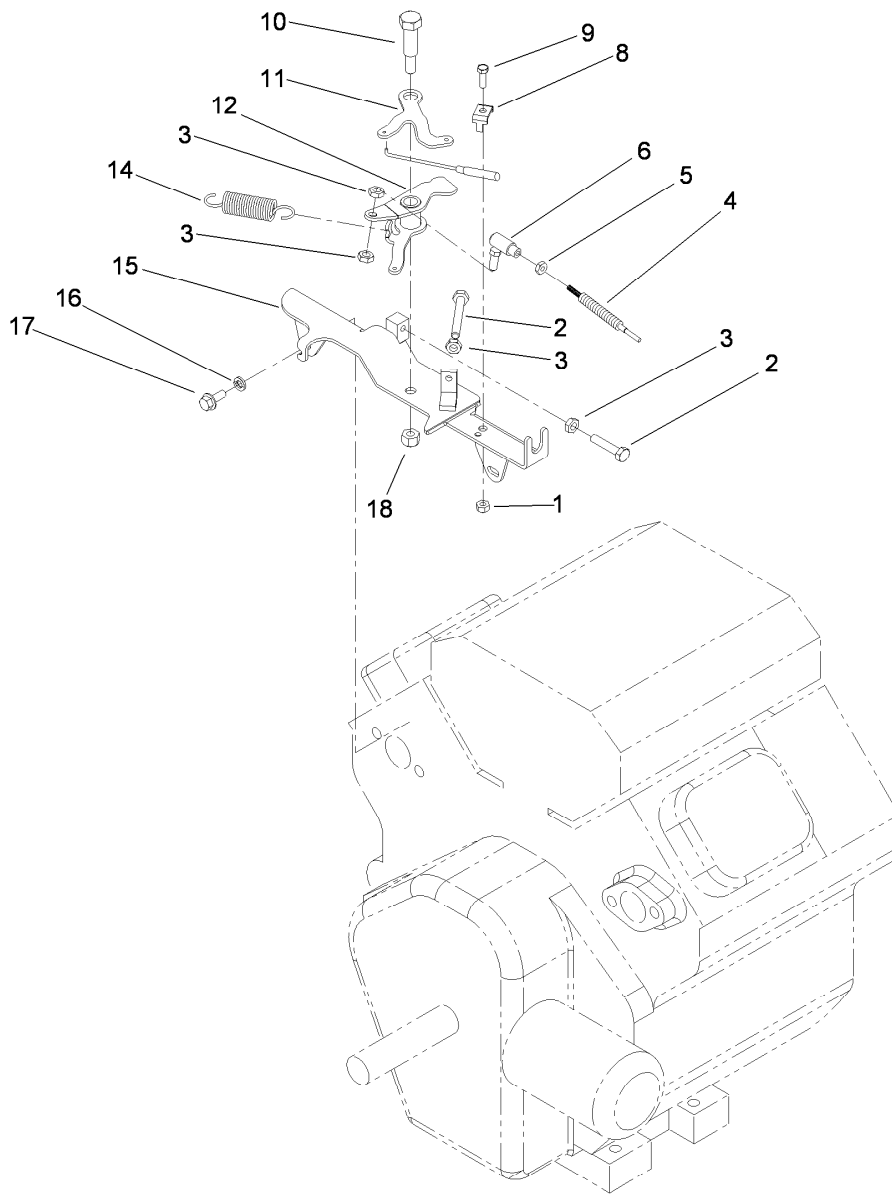
Hydraulic Brake Line Assembly

| Ref. | Part Number | Qty. | Description |
|------|-------------|------|-------------------|
| 1 | 117-8060 | 1 | Rear Brake Line |
| 3 | 32128-33 | 7 | Nut-HF |
| 4 | 104-7201 | 7 | Nut-HF |
| 5 | 2412-147 | 2 | Clamp-R |
| 6 | 117-8069 | 2 | Bolt-Banjo, Short |
| 7 | 117-8070 | 2 | Bolt-Banjo |
| 8 | 1-543296 | 2 | Grommet |
| 13 | 115-2341 | 8 | Washer-Banjo |
| 14 | 117-8059 | 1 | Front Brake Line |
| 17 | 2412-134 | 5 | Clamp-R |
| 18 | 3290-379 | 6 | Tie-Cable |
| 19 | 2412-134 | 1 | Clamp-R |



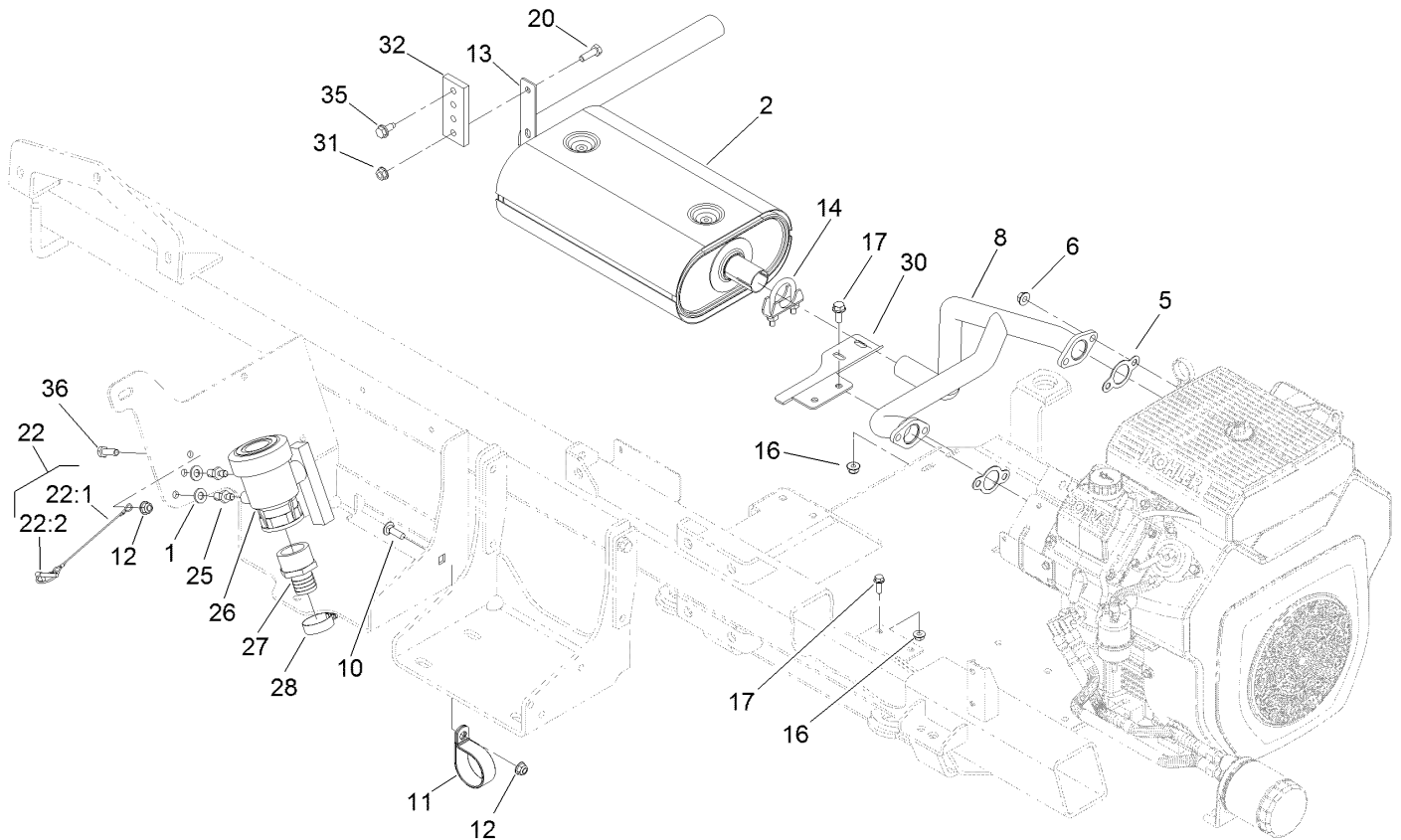
Tank and Saddle Assembly

| <i>Ref.</i> | <i>Part Number</i> | <i>Qty.</i> | <i>Description</i> | <i>Ref.</i> | <i>Part Number</i> | <i>Qty.</i> | <i>Description</i> |
|-------------|--------------------|-------------|-------------------------------|-------------|--------------------|-------------|-------------------------|
| 1 | 100-8573 | 2 | Foam-Saddle, Front | 14 | 110-5090 | 1 | Grommet |
| 2 | 110-5088 | 1 | Hose-Fill | 15 | 104-8782 | 1 | Tube-Gauge, Pressure |
| 3 | 106-5048 | 1 | Tank Band ASM | 17 | 323-58 | 4 | Bolt-TAP, HH |
| 3:1 | 106-5016 | 1 | Decal-Caution, Electric Shock | 18 | 94-2701 | 4 | Washer-Hardened |
| 4 | 106-5063-03 | 1 | Band-Tank, Front | 19 | 100-8574 | 3 | Foam-Saddle, Right Rear |
| 5 | 3230-1 | 2 | Bolt-CARR | 20 | 108-3356-03 | 1 | Rear Saddle ASM |
| 6 | 110-5082-03 | 1 | Bracket-Anti Siphon | 21 | 104-8301 | 4 | Nut-HF, NI |
| 7 | 32128-20 | 2 | Nut-HF | 22 | 100-8565-03 | 1 | Front Saddle ASM |
| 8 | 3234-5 | 1 | Screw-HHF | 23 | 32128-49 | 4 | Nut-HHF |
| 9 | 41316 | 1 | Adapter-Quick | 24 | 3234-32 | 4 | Screw-HHF |
| 10 | 100-6779 | 1 | Coupling-Female | 25 | 120-8547 | 1 | Gauge-Pressure |
| 11 | 41140 | 1 | Elbow | 26 | 100-8665 | 1 | Reducer-Gauge, Pressure |
| 12 | 99-7375 | 1 | Hose-Breather | 27 | 100-8666 | 1 | Nut-Reducer |
| 13 | 112-7946-03 | 1 | Tee-Bracket, Mounting | 28 | 100-8667 | 1 | Coupler-Reducer |



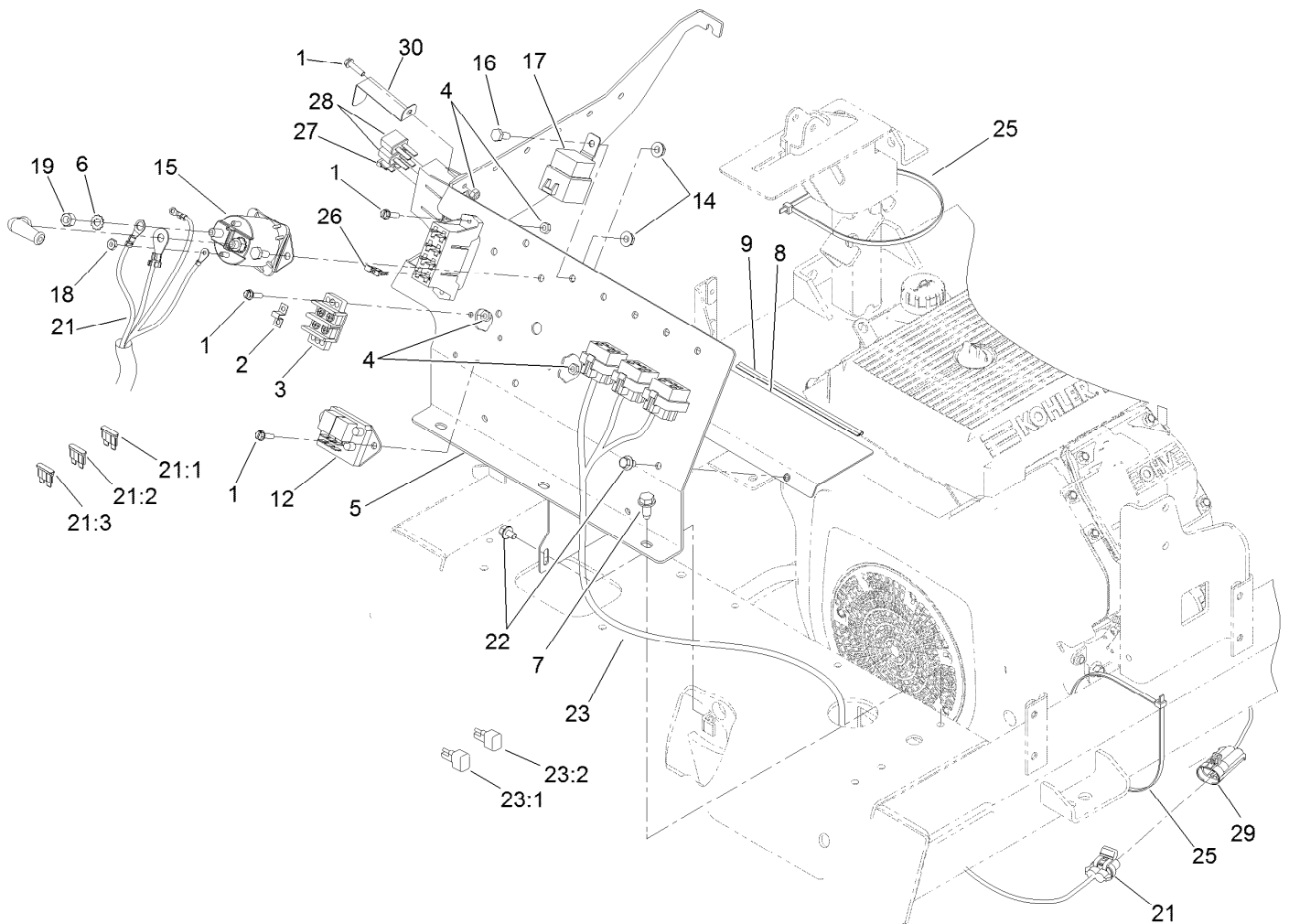
Throttle Linkage Assembly

| <i>Ref.</i> | <i>Part Number</i> | <i>Qty.</i> | <i>Description</i> | <i>Ref.</i> | <i>Part Number</i> | <i>Qty.</i> | <i>Description</i> |
|-------------|--------------------|-------------|--------------------|-------------|--------------------|-------------|--------------------|
| 1 | 3296-2 | 1 | Nut-Lock, NI | 10 | 7-0030 | 1 | Screw-Shoulder, HH |
| 2 | 108-3660 | 2 | Screw-TAP | 11 | 87-7790 | 1 | Lever-Choke |
| 3 | 3220-1 | 4 | Nut-Jam | 12 | 100-8558 | 1 | Lever-Throttle |
| 4 | 100-8383 | 1 | Cable-Accelerator | 14 | 67-1450 | 1 | Spring-Idler |
| 5 | 3219-14 | 1 | Nut-Hex | 15 | 100-8557 | 1 | Lever-Throttle |
| 6 | 100-8559 | 1 | Ball Joint ASM | 16 | 48-8020 | 4 | Washer-Spring |
| 8 | 92-0477 | 1 | Clamp-Cable | 17 | 33103-016 | 4 | Screw-HHF |
| 9 | 3290-134 | 1 | Screw | 18 | 3296-29 | 1 | Nut-Lock, NI |



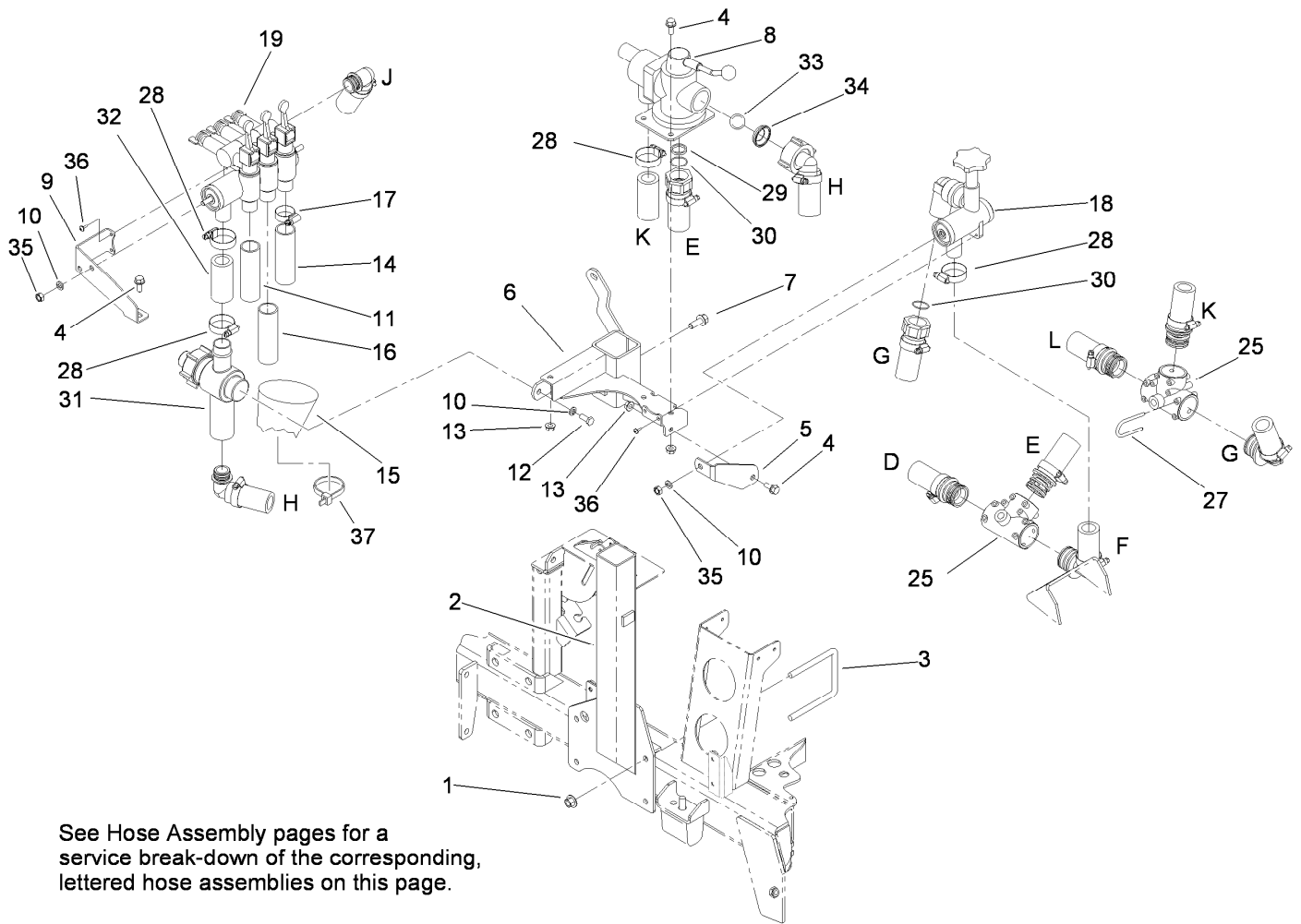
Exhaust Assembly

| <i>Ref.</i> | <i>Part Number</i> | <i>Qty.</i> | <i>Description</i> | <i>Ref.</i> | <i>Part Number</i> | <i>Qty.</i> | <i>Description</i> |
|-------------|--------------------|-------------|--------------------|-------------|--------------------|-------------|--------------------------|
| 1 | 62-1230 | 2 | Washer-Rubber | 22 | 98-0979 | 1 | Lynch Pin ASM |
| 2 | 117-5887 | 1 | Muffler | 22:1 | 28-8070 | 1 | Lanyard |
| 5 | 110-6697 | 2 | Gasket-Exhaust | 22:2 | 3290-495 | 1 | Pin-Klik |
| 6 | 92-6780 | 4 | Nut-HF | 25 | 112-7900 | 2 | Mount-Peg |
| 8 | 117-5876 | 1 | Manifold-Exhaust | 26 | 108-0069 | 1 | Valve-Ball |
| 10 | 3230-16 | 1 | Screw-CARR | 27 | 110-5224 | 1 | Fitting-Barbed, Straight |
| 11 | 114-9566 | 1 | Clamp-R | 28 | 2412-34 | 1 | Clamp-Hose |
| 12 | 104-8300 | 2 | Nut-HF, NI | 30 | 117-5883 | 1 | Bracket-Support, Exhaust |
| 13 | 119-6007 | 1 | Hanger-Muffler | 31 | 32128-25 | 1 | Nut-HF |
| 14 | 95-0586 | 2 | Clamp ASM | 32 | 117-0744 | 1 | Hanger-Muffler |
| 16 | 32128-33 | 4 | Nut-HF | 35 | 32144-70 | 1 | Screw-HWHTF |
| 17 | 3234-4 | 4 | Screw-HHF | 36 | 322-4 | 1 | Screw-HH |
| 20 | 322-5 | 1 | Screw-HH | | | | |



Electrical Panel Assembly

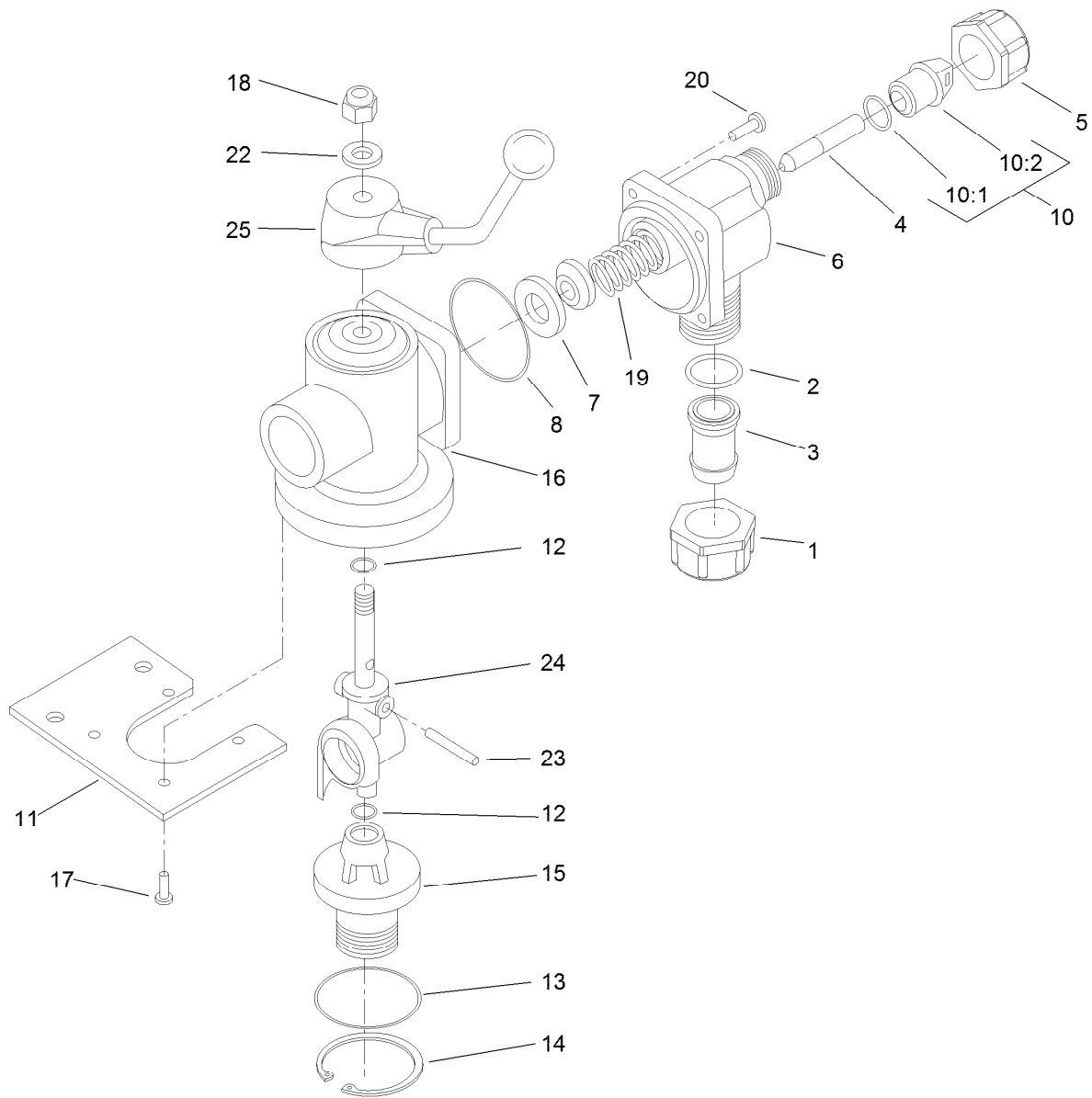
| <i>Ref.</i> | <i>Part Number</i> | <i>Qty.</i> | <i>Description</i> | <i>Ref.</i> | <i>Part Number</i> | <i>Qty.</i> | <i>Description</i> |
|-------------|--------------------|-------------|------------------------|-------------|--------------------|-------------|----------------------------|
| 1 | 32105-13 | 8 | Screw-HWH | 19 | 3220-2 | 2 | Nut-Jam |
| 2 | 42863 | 1 | Strip-Jumper | 21 | 108-9461 | 1 | Harness-Wire, Main |
| 3 | 42862 | 1 | Block-Terminal, Ground | 21:1 | 110928 | 1 | Fuse-Blade, 5 Amp |
| 4 | 3296-2 | 8 | Nut-Lock, NI | 21:2 | 218-578 | 1 | Fuse-Blade, 10 Amp |
| 5 | 108-3676-03 | 1 | Panel-Electrical | 21:3 | 109103 | 1 | Fuse-Blade, 30 Amp |
| 6 | 3255-8 | 2 | Washer-Lock | 22 | 3234-26 | 3 | Screw-HHF |
| 7 | 32144-70 | 3 | Screw-HWHTF | 23 | 114-3390 | 1 | Harness-Wire |
| 8 | 100-7025-03 | 1 | Shield-Heat, Front | 23:1 | 100-4918 | 2 | Diode |
| 9 | 100-7027 | 1 | Trim | 23:2 | 108-9493 | 2 | Diode-Tvs |
| 12 | 99-3703 | 1 | Module-Cruise | 25 | 3290-379 | 5 | Tie-Cable |
| 14 | 32128-33 | 8 | Nut-HF | 26 | 109101 | 1 | Fuse-Blade, 20 Amp |
| 15 | 114-3315 | 1 | Solenoid | 27 | 109355 | 1 | Fuse-Blade, 15 Amp |
| 16 | 321-3 | 8 | Screw-HH | 28 | 95-3287 | 2 | Breaker-Circuit, 30A |
| 17 | 99-7430 | 7 | Relay | 29 | 108-9470 | 1 | Harness-Wire, Fusible Link |
| 18 | 32149-8 | 2 | Nut-Keys | 30 | 121-4995 | 1 | Tab-Fuse Retainer |



See Hose Assembly pages for a service break-down of the corresponding, lettered hose assemblies on this page.

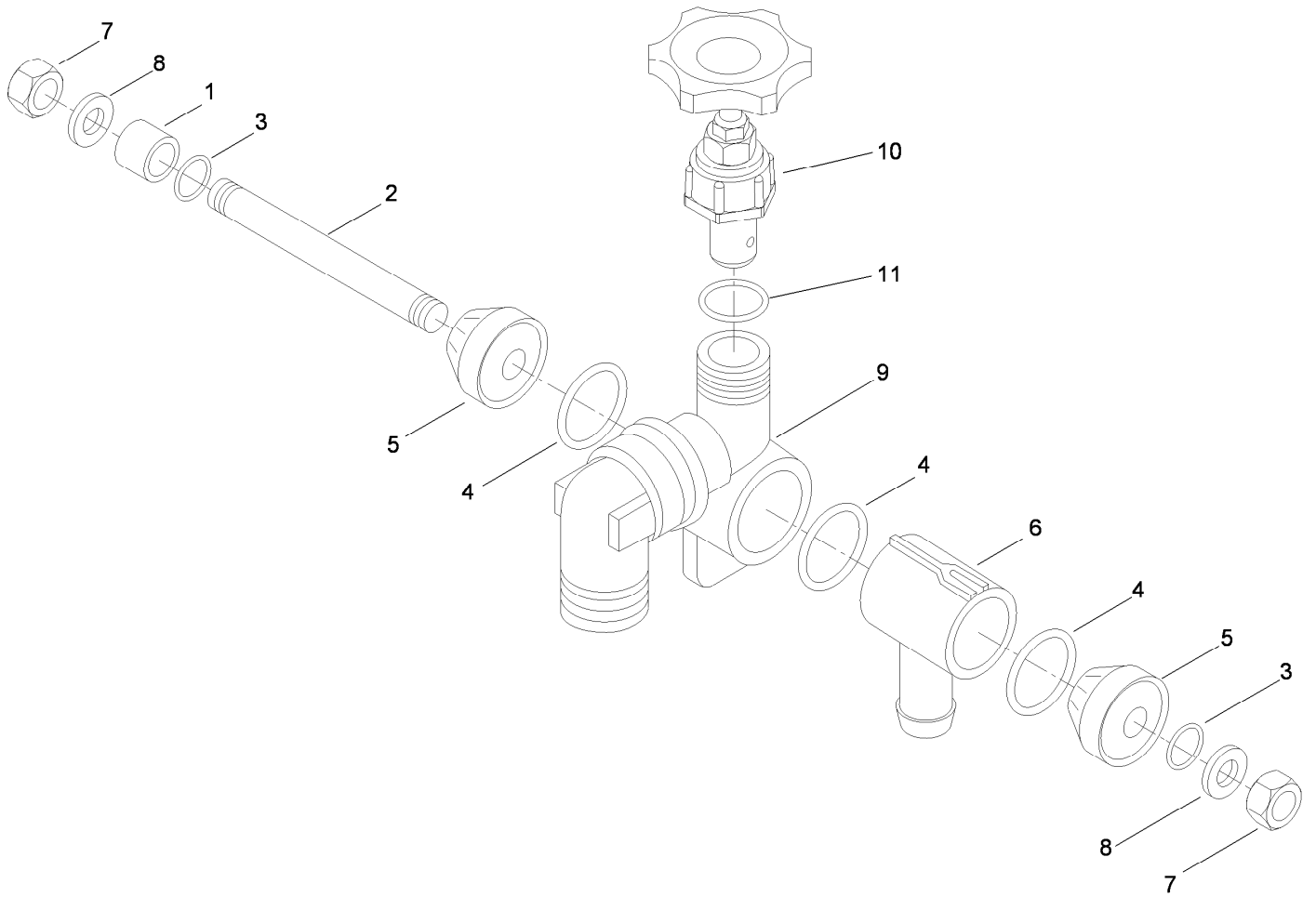
Manual Control Assembly

| Ref. | Part Number | Qty. | Description | Ref. | Part Number | Qty. | Description |
|------|-------------|------|------------------------|------|-------------|------|----------------------------|
| 1 | 32128-43 | 4 | Nut-Flange | 17 | 2412-129 | 3 | Clamp-Hose |
| 2 | 104-8828-03 | 1 | Valve-Post | 18 | 106-4883 | 1 | Pressure Control Valve ASM |
| 3 | 100-7067 | 2 | U-Bolt (4 Inch) | 19 | 106-4882 | 1 | Boom Valve ASM |
| 4 | 3234-5 | 4 | Screw-HHF | 25 | 104-9041 | 2 | Tee |
| 5 | 104-8838-03 | 1 | Bracket-Valve, Rate | 27 | 100-6708 | 6 | Fork |
| 6 | 104-8833-03 | 1 | Mount-Valve | 28 | 2412-34 | 4 | Clamp-Hose |
| 7 | 3234-11 | 1 | Screw-HHF | 29 | 106-4897 | 1 | Support-O Ring |
| 8 | 106-4881 | 1 | Main On/Off Valve ASM | 30 | 100-6655 | 2 | Gasket |
| 9 | 104-8839-03 | 1 | Bracket-Valve, Section | 31 | 106-4884 | 1 | Flow Meter ASM |
| 10 | 3253-4 | 4 | Washer-Lock | 32 | 104-8905 | 1 | Hose-Pressure |
| 11 | 108-3740 | 1 | Hose-Boom, RH | 33 | 100-7000 | 1 | Ball-Plastic |
| 12 | 33114-020 | 1 | Screw-HH | 34 | 100-6999 | 1 | Bushing |
| 13 | 32128-20 | 4 | Nut-HF | 35 | 100-6894 | 4 | Nut |
| 14 | 108-3741 | 1 | Hose-Boom, LH | 36 | 100-6916 | 4 | Screw-Plastic |
| 15 | 106-6713 | 2 | Cover-Lines, Steering | 37 | 3290-379 | 4 | Tie-Cable |
| 16 | 108-3739 | 1 | Center Boom Hose | | | | |



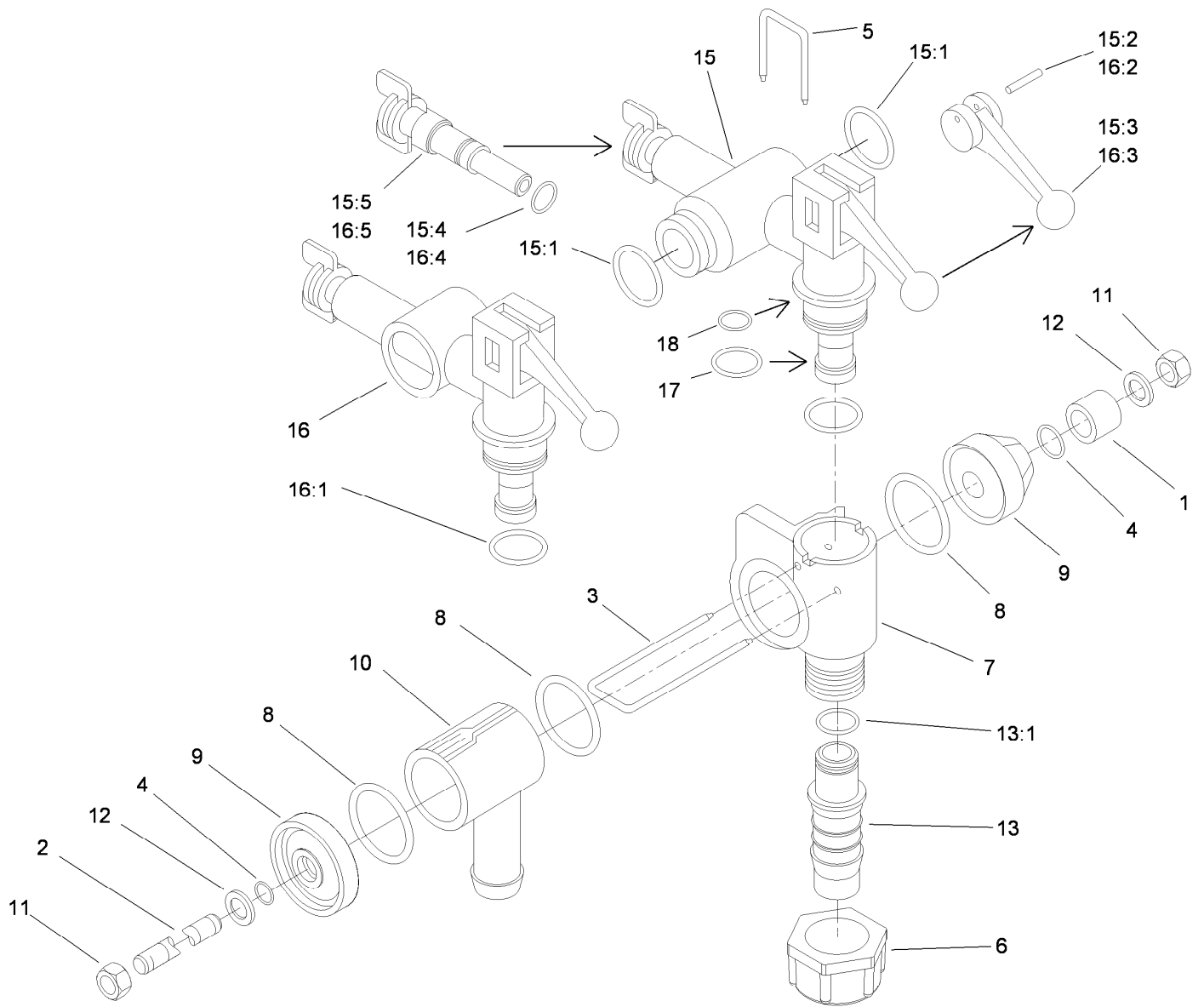
Main On/Off Valve Assembly No. 106-4881

| <i>Ref.</i> | <i>Part Number</i> | <i>Qty.</i> | <i>Description</i> | <i>Ref.</i> | <i>Part Number</i> | <i>Qty.</i> | <i>Description</i> |
|-------------|--------------------|-------------|-------------------------|-------------|--------------------|-------------|--------------------------------|
| 1 | 99-0769 | 1 | Nut | 14 | 100-6994 | 1 | Ring-Snap, Inner |
| 2 | 100-6655 | 1 | Gasket | 15 | 100-6951 | 1 | Adapter-Valve, On/Off |
| 3 | 99-0781 | 1 | Hosebarb | 16 | 100-6949 | 1 | Housing-Valve, On/Off (Manual) |
| 4 | 100-6942 | 1 | Pin | 17 | 100-6916 | 4 | Screw-Plastic |
| 5 | 99-0850 | 1 | Nut | 18 | 48-9520 | 1 | Nut |
| 6 | 100-6943 | 1 | Housing-Valve, Pressure | 19 | 100-7003 | 1 | Relief Valve ASM |
| 7 | 100-6945 | 1 | Seat | 20 | 100-6918 | 4 | Screw-Plastic |
| 8 | 100-6947 | 1 | O-Ring | 22 | 99-0863 | 1 | Washer |
| 10 | 99-0844 | 1 | Plug-Tube, Nozzle | 23 | 100-8656 | 1 | Pin-Expansion |
| 10:1 | 100-6645 | 1 | O-Ring | 24 | 100-6950 | 1 | Stem-Valve, On/Off (Manual) |
| 10:2 | 100-6941 | 1 | Fitting | 25 | 100-7001 | 1 | Handle |
| 11 | 100-6997 | 1 | Fitting | | | | |
| 12 | 100-6641 | 2 | O-Ring | | | | |
| 13 | 100-6993 | 1 | O-Ring | | | | |



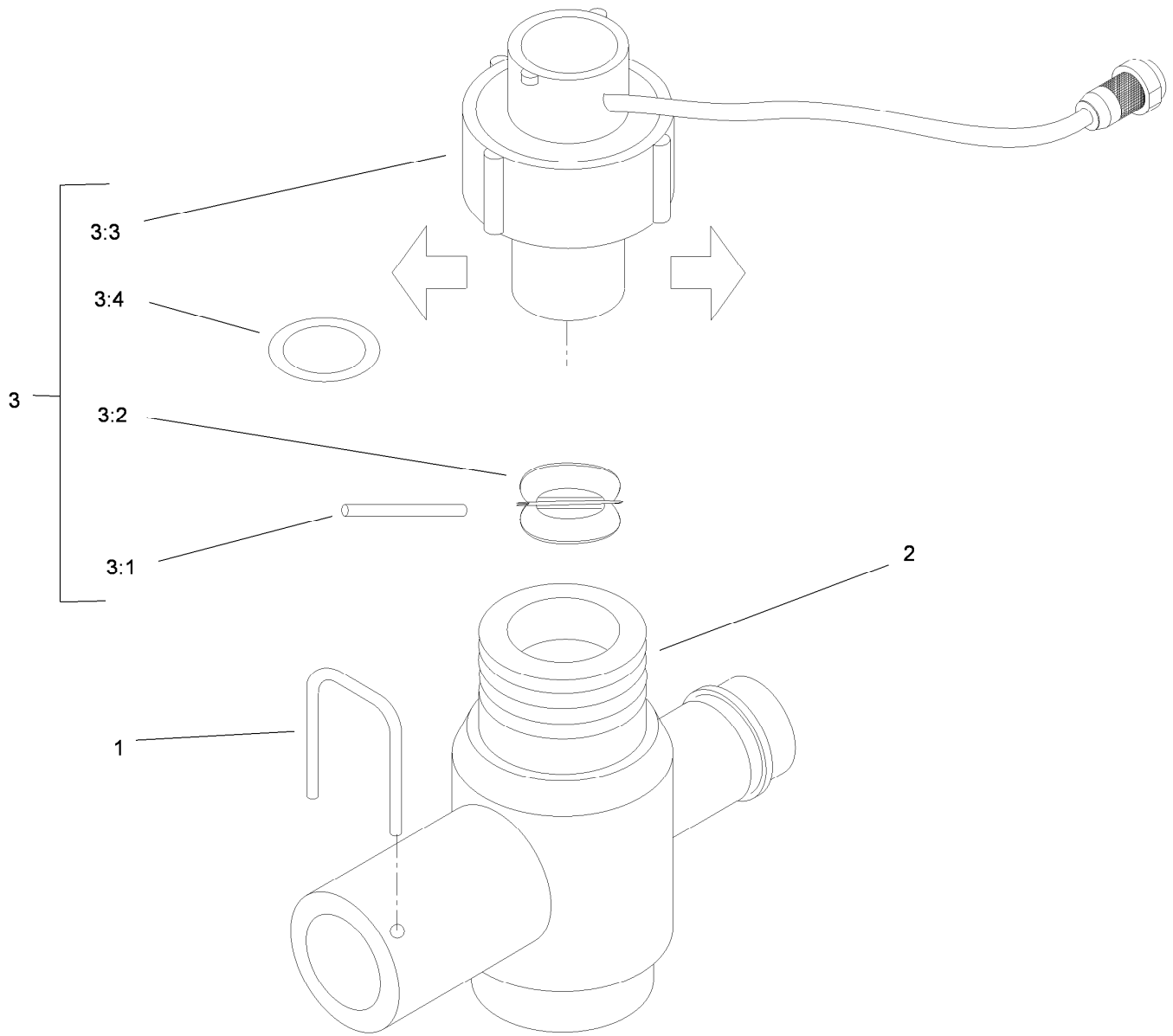
Pressure Control Valve Assembly No. 106-4883

| <i>Ref.</i> | <i>Part Number</i> | <i>Qty.</i> | <i>Description</i> |
|-------------|--------------------|-------------|-----------------------------|
| 1 | 100-6897 | 1 | Bushing |
| 2 | 104-8917 | 1 | Rod-Valve, Pressure Control |
| 3 | 100-6887 | 2 | O-Ring |
| 4 | 100-6892 | 3 | O-Ring |
| 5 | 100-6913 | 2 | Cover |
| 6 | 100-6908 | 1 | T-Piece |
| 7 | 100-6894 | 2 | Nut |
| 8 | 100-6634 | 2 | Washer |
| 9 | 104-8919 | 1 | Housing-Control, Pressure |
| 10 | 100-6762 | 1 | Regulator-Pressure, Manual |
| 11 | 100-6644 | 1 | O-Ring |



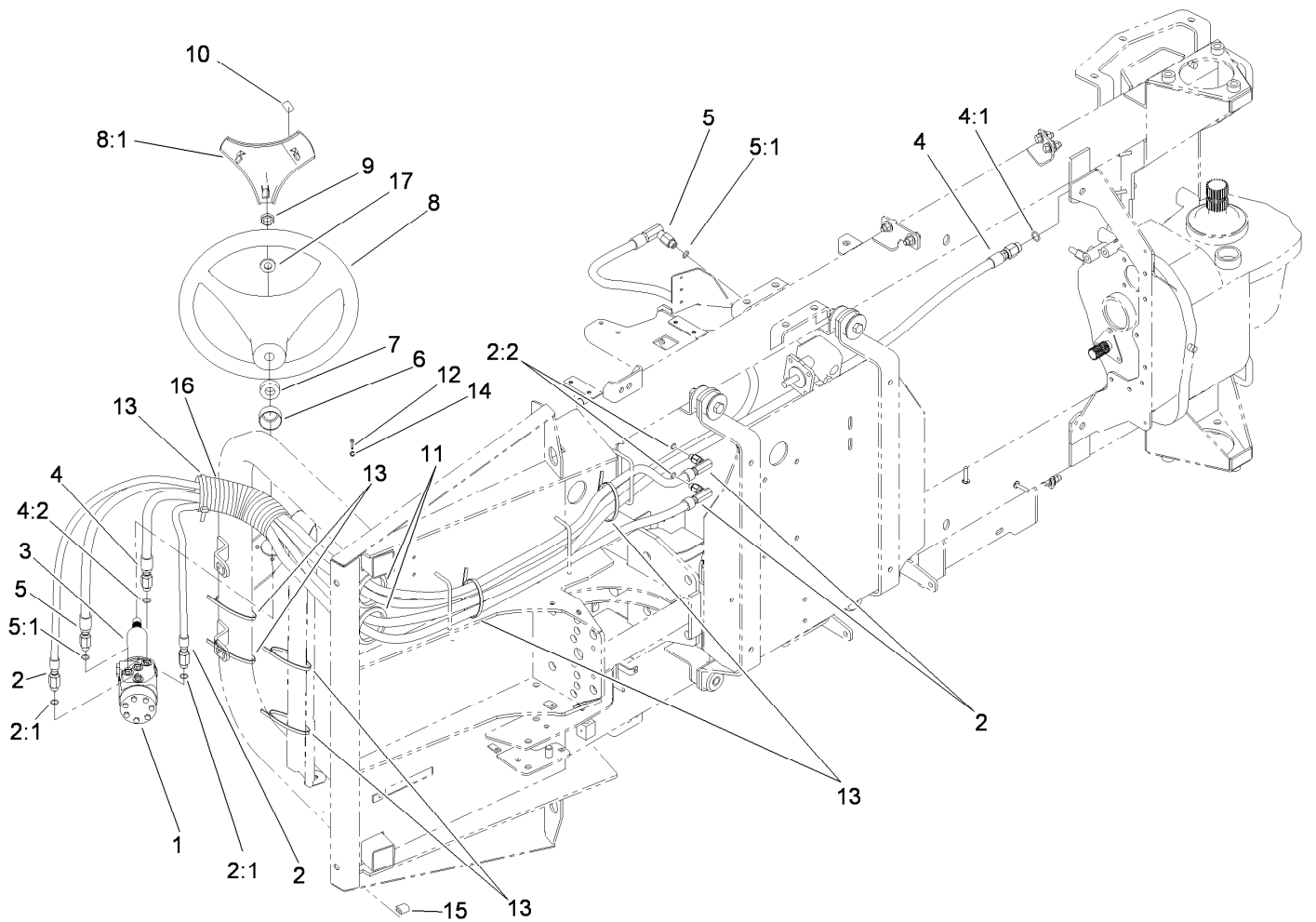
Boom Valve Assembly No. 106-4882

| Ref. | Part Number | Qty. | Description | Ref. | Part Number | Qty. | Description |
|------|-------------|------|----------------------------|------|-------------|------|----------------------------|
| 1 | 100-6897 | 1 | Bushing | 15:1 | 100-6882 | 1 | O-Ring |
| 2 | 104-8916 | 1 | Rod-Valve, Individual Boom | 15:2 | 100-6766 | 1 | Pin |
| 3 | 100-6758 | 1 | Fork | 15:3 | 100-6835 | 1 | Handle |
| 4 | 100-6887 | 2 | O-Ring | 15:4 | 100-6641 | 1 | O-Ring |
| 5 | 100-6885 | 3 | Fork-Valve, Boom | 15:5 | 100-6769 | 1 | Screw-Adjust |
| 6 | 99-0850 | 3 | Nut | 16 | 100-6765 | 1 | Valve-Boom Section, Manual |
| 7 | 100-6759 | 3 | Housing-Section Valve | 16:1 | 100-6882 | 1 | O-Ring |
| 8 | 100-6892 | 5 | O-Ring | 16:2 | 100-6766 | 1 | Pin |
| 9 | 100-6913 | 2 | Cover | 16:3 | 100-6835 | 1 | Handle |
| 10 | 100-6908 | 1 | T-Piece | 16:4 | 100-6641 | 1 | O-Ring |
| 11 | 100-6894 | 2 | Nut | 16:5 | 100-6769 | 1 | Screw-Adjust |
| 12 | 100-6634 | 2 | Washer | 17 | 100-6770 | 2 | O-Ring |
| 13 | 106-5112 | 3 | Hosebarb ASM | 18 | 100-6878 | 3 | O-Ring |
| 13:1 | 100-6645 | 1 | O-Ring | | | | |
| 15 | 100-6767 | 2 | Valve-Boom Section, Manual | | | | |



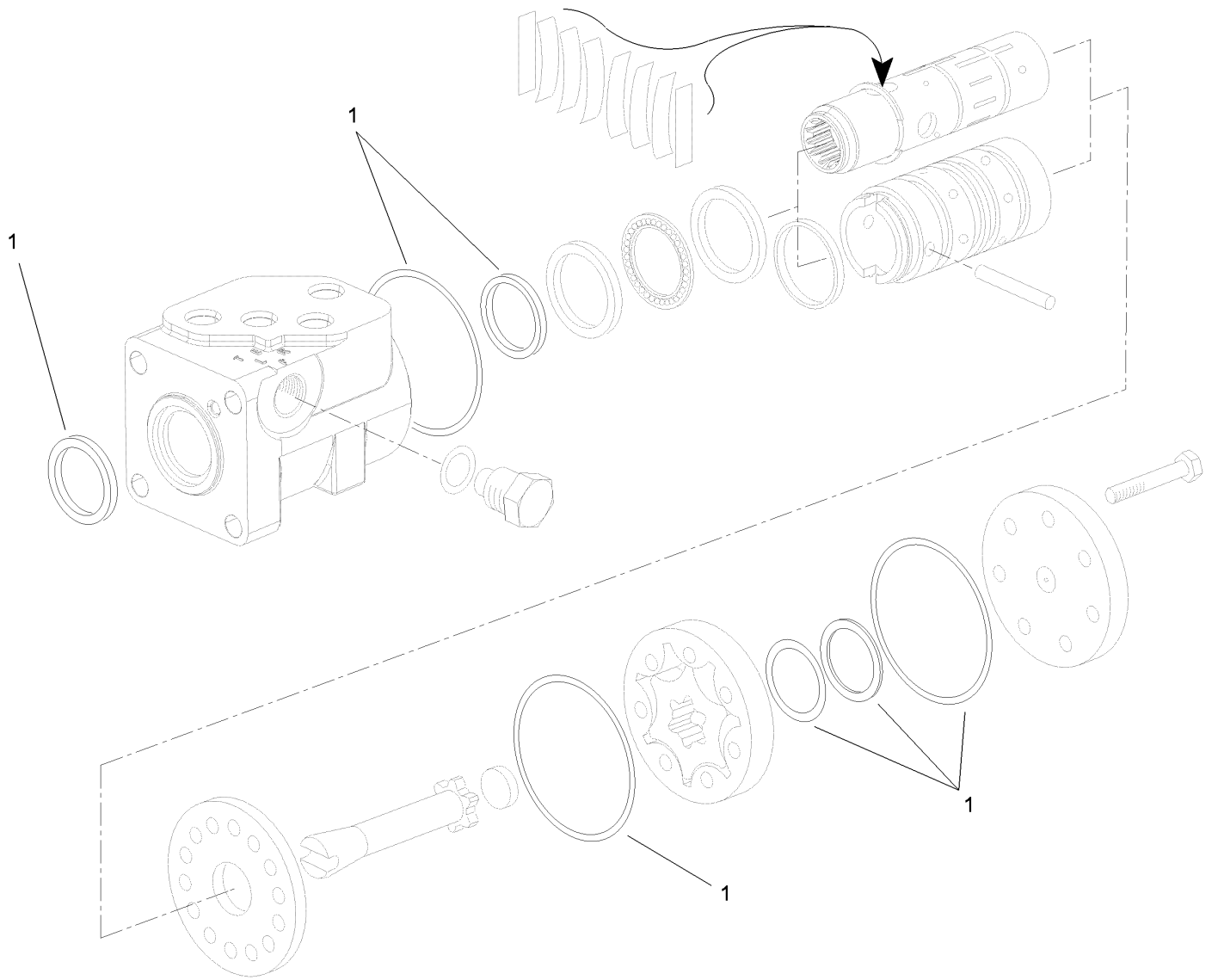
Flow Meter Assembly No. 106-4884

| <i>Ref.</i> | <i>Part Number</i> | <i>Qty.</i> | <i>Description</i> |
|-------------|--------------------|-------------|---------------------|
| 1 | 100-6885 | 1 | Fork-Valve, Boom |
| 2 | 104-8901 | 1 | Housing-Meter, Flow |
| 3 | 100-6900 | 1 | Flow Sensor ASM |
| 3:1 | 100-6906 | 1 | Shaft-Rotor |
| 3:2 | 100-6919 | 1 | Meter-Flow, Rotor |
| 3:3 | 100-8678 | 1 | Nut |
| 3:4 | 100-8653 | 1 | O-Ring |



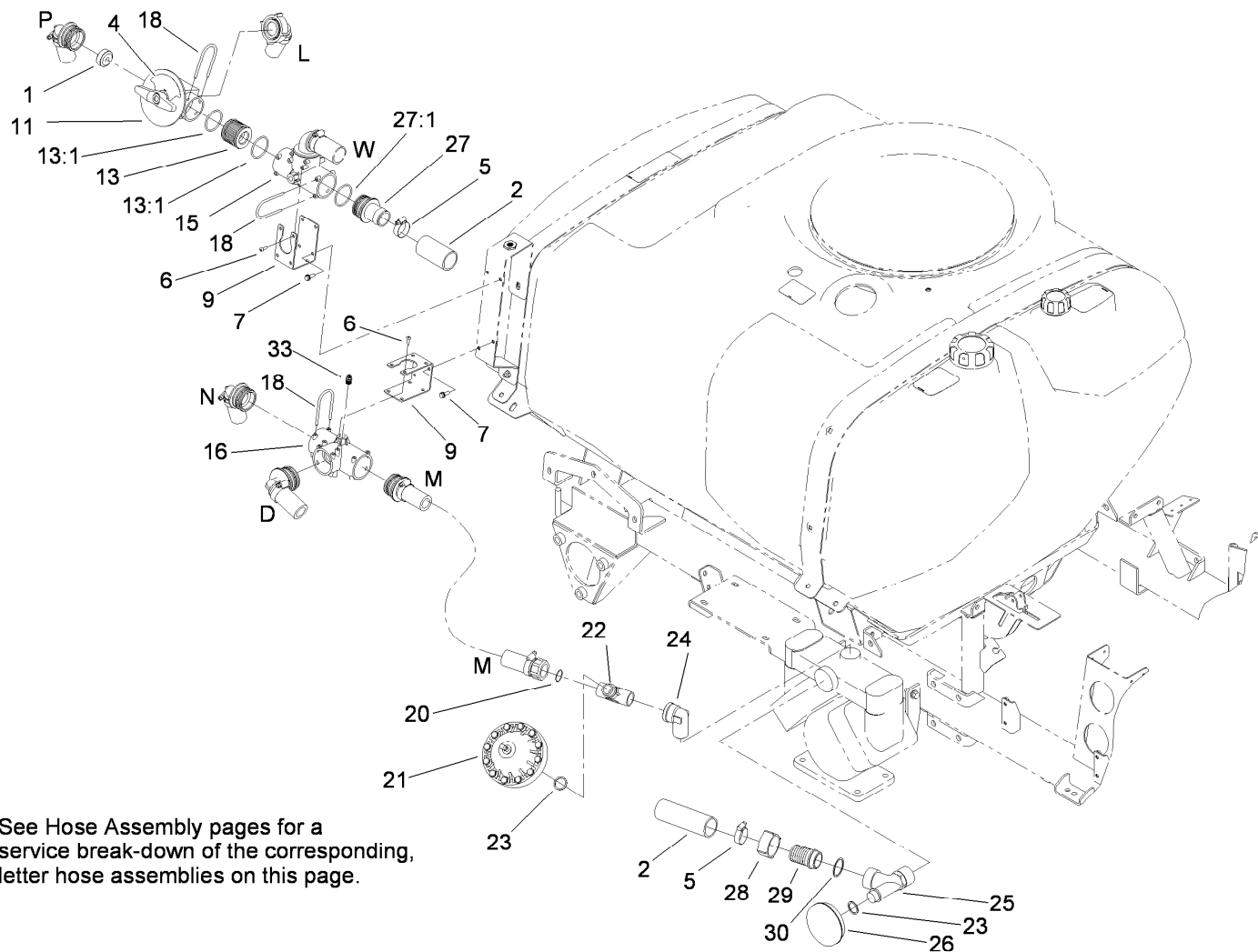
Hydraulic Hose Routing Assembly

| <i>Ref.</i> | <i>Part Number</i> | <i>Qty.</i> | <i>Description</i> | <i>Ref.</i> | <i>Part Number</i> | <i>Qty.</i> | <i>Description</i> |
|-------------|--------------------|-------------|----------------------------|-------------|--------------------|-------------|-----------------------|
| 1 | 114-5076 | 1 | Steering Control Valve ASM | 8 | 98-1471 | 1 | Wheel-Steering |
| 2 | 100-8252 | 2 | Hose ASM | 8:1 | 98-1468 | 1 | Cover-Wheel, Steering |
| 2:1 | 237-78 | 1 | O-Ring | 9 | 110-8816 | 1 | Nut-Hex |
| 2:2 | 237-42 | 1 | O-Ring | 10 | 98-1459 | 1 | Decal |
| 3 | 94-8792 | 1 | Column-Steering | 11 | 237-164 | 2 | Grommet |
| 4 | 100-8253 | 1 | Hose ASM | 12 | 33113-020 | 4 | Screw-HH |
| 4:1 | 237-42 | 1 | O-Ring | 13 | 3290-379 | 17 | Tie-Cable |
| 4:2 | 237-79 | 1 | O-Ring | 14 | 3253-18 | 4 | Washer-Lock |
| 5 | 100-8251 | 1 | Hose ASM | 15 | 108-3582 | 1 | Trim-Edge |
| 5:1 | 237-42 | 2 | O-Ring | 16 | 104-8973 | 1 | Cover-Hose, HYD |
| 6 | 93-5439 | 1 | Seal-Steering | 17 | 3256-27 | 1 | Washer-Flat |
| 7 | 21-9260 | 1 | Cover-Dust | | | | |



Steering Valve Assembly No. 114-5076

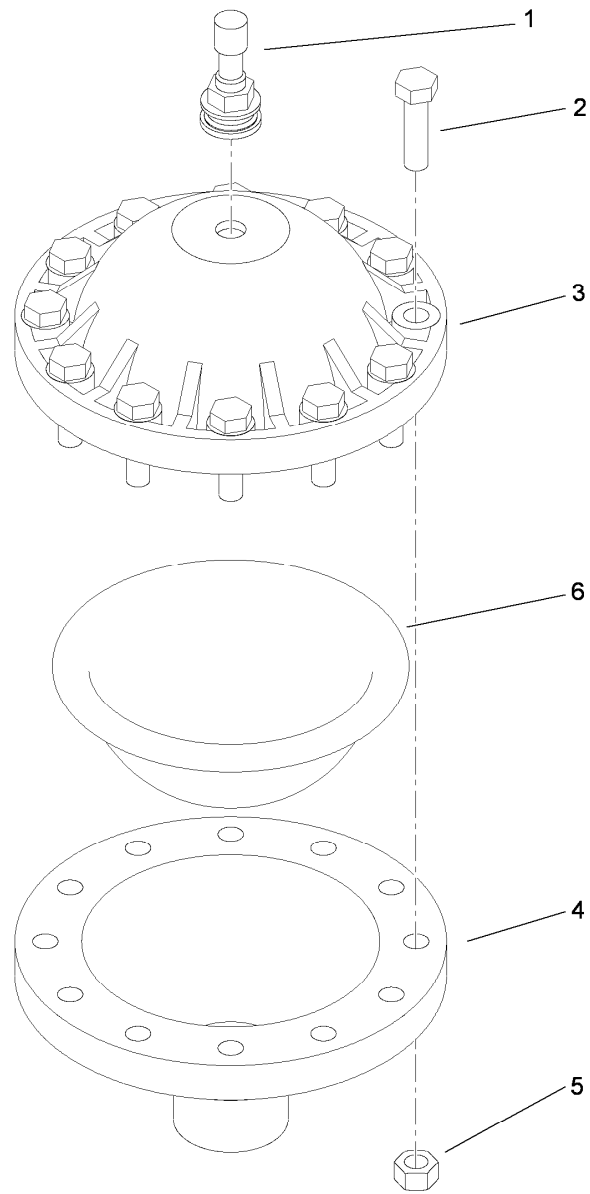
| <i>Ref.</i> | <i>Part Number</i> | <i>Qty.</i> | <i>Description</i> |
|-------------|--------------------|-------------|--------------------|
| 1 | 108-1519 | 1 | Seal Kit |



See Hose Assembly pages for a service break-down of the corresponding, letter hose assemblies on this page.

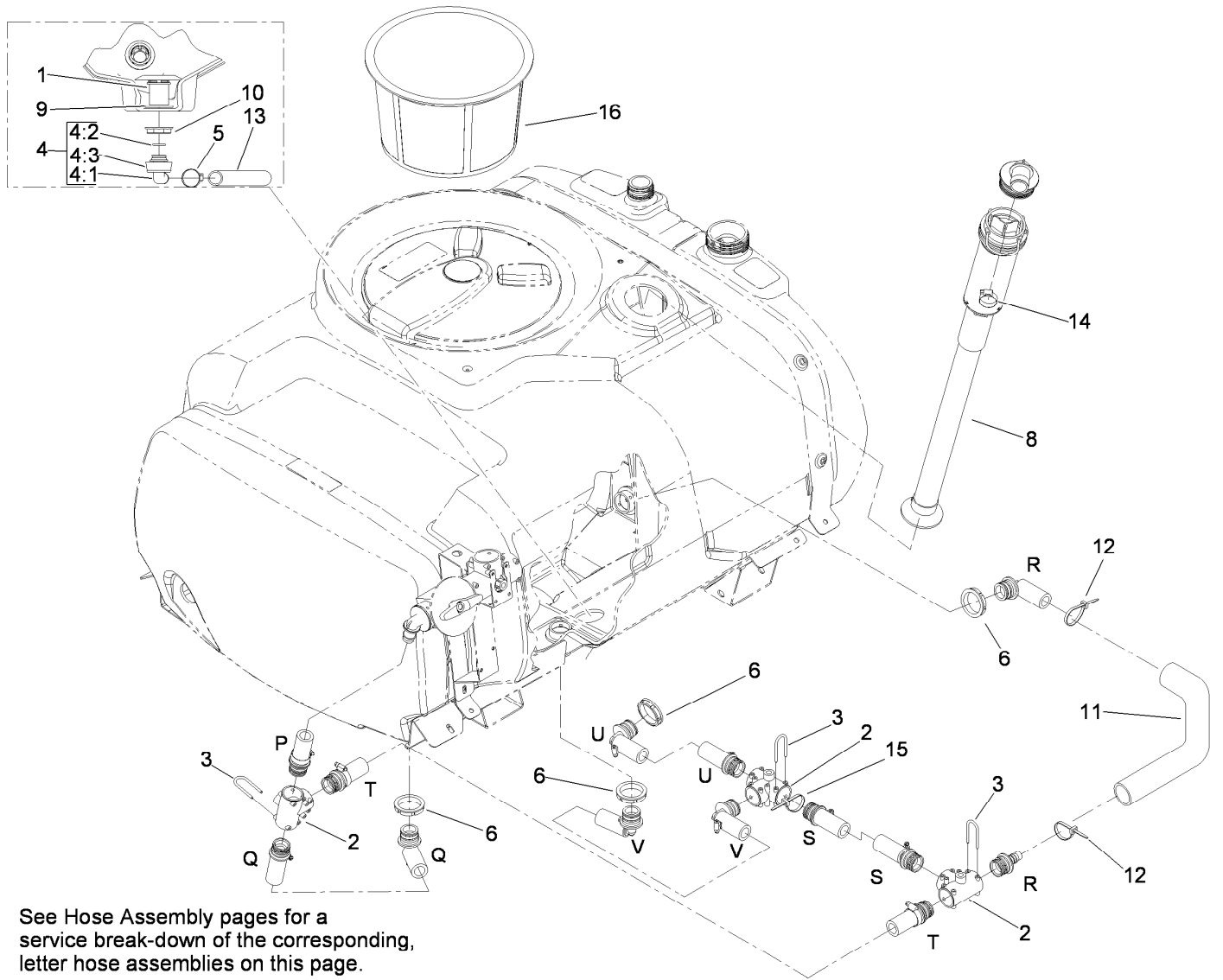
Sprayer Component Assembly No. 1

| <i>Ref.</i> | <i>Part Number</i> | <i>Qty.</i> | <i>Description</i> | <i>Ref.</i> | <i>Part Number</i> | <i>Qty.</i> | <i>Description</i> |
|-------------|--------------------|-------------|---------------------|-------------|--------------------|-------------|---------------------|
| 1 | 110-5186 | 1 | Reducer-Agitation | 20 | 100-6655 | 1 | Gasket |
| 2 | 108-3686 | 1 | Hose-Suction | 21 | 100-6662 | 1 | Pressure Damper ASM |
| 4 | 107-8621 | 1 | Decal-Agitation | 22 | 100-8699 | 1 | Tee |
| 5 | 41327 | 2 | Clamp-Hose | 23 | 100-6656 | 2 | O-Ring |
| 6 | 32144-32 | 8 | Screw | 24 | 100-8698 | 1 | Elbow |
| 7 | 3234-4 | 4 | Screw-HHF | 25 | 100-8681 | 1 | Tee |
| 9 | 100-8478 | 2 | Bracket-Tee | 26 | 100-6660 | 1 | Suction Damper ASM |
| 11 | 100-8673 | 1 | Agitation Valve ASM | 27 | 106-4936 | 1 | Hosebarb |
| 13 | 106-4947 | 1 | Connector | 27:1 | 100-8637 | 1 | O-Ring |
| 13:1 | 100-8637 | 2 | O-Ring | 28 | 100-8678 | 1 | Nut |
| 15 | 100-6704 | 1 | Tee | 29 | 100-8679 | 1 | Hosebarb |
| 16 | 100-8675 | 1 | Tee-Pressure | 30 | 100-8680 | 1 | Seal |
| 18 | 100-8635 | 8 | Fork | 33 | 100-8674 | 1 | Coupler-Tube |



Pressure Damper Assembly No. 100-6662

| <i>Ref.</i> | <i>Part Number</i> | <i>Qty.</i> | <i>Description</i> |
|-------------|--------------------|-------------|--------------------|
| 1 | 99-0895 | 1 | Valve |
| 2 | 33114-030 | 12 | Screw-HH |
| 3 | 99-0896 | 1 | Half-Upper, Damper |
| 4 | 99-0898 | 1 | Half-Lower, Damper |
| 5 | 33014-00 | 12 | Nut-Hex |
| 6 | 99-0897 | 1 | Diaphragm |

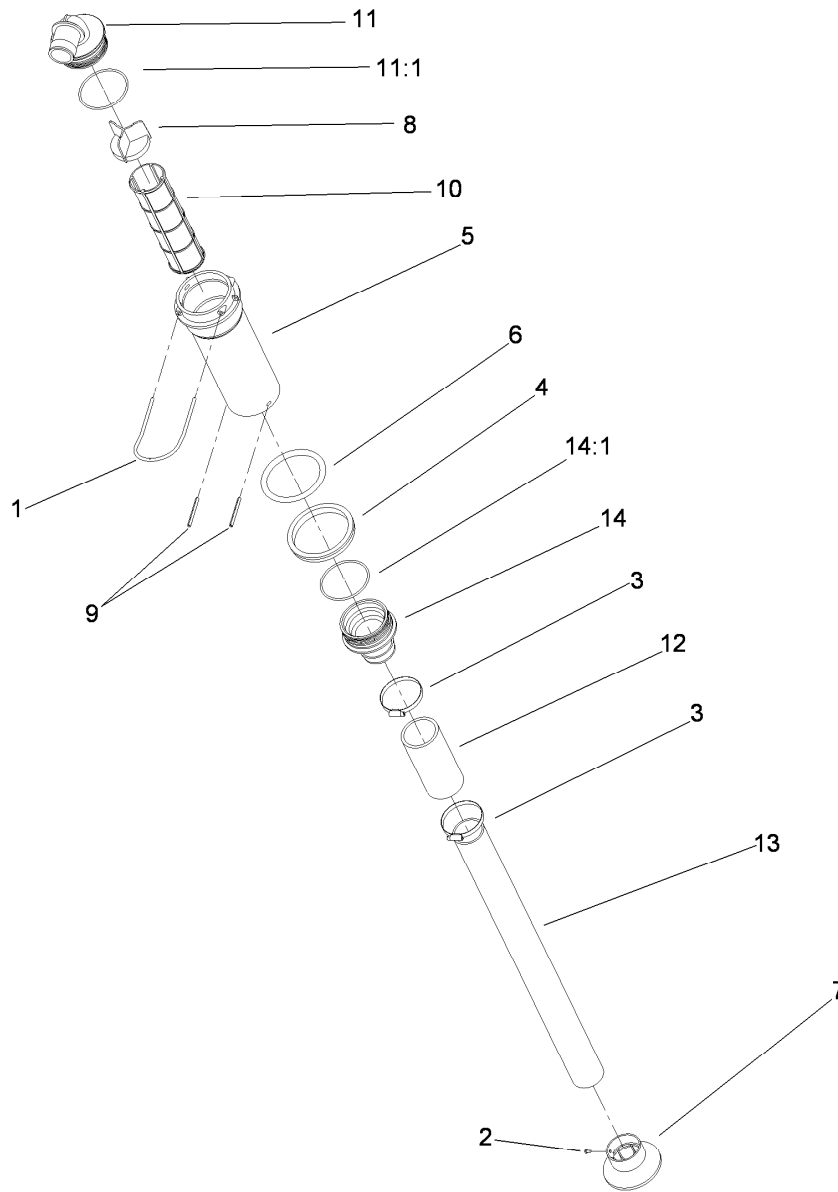


See Hose Assembly pages for a service break-down of the corresponding, letter hose assemblies on this page.

Sprayer Component Assembly No. 2

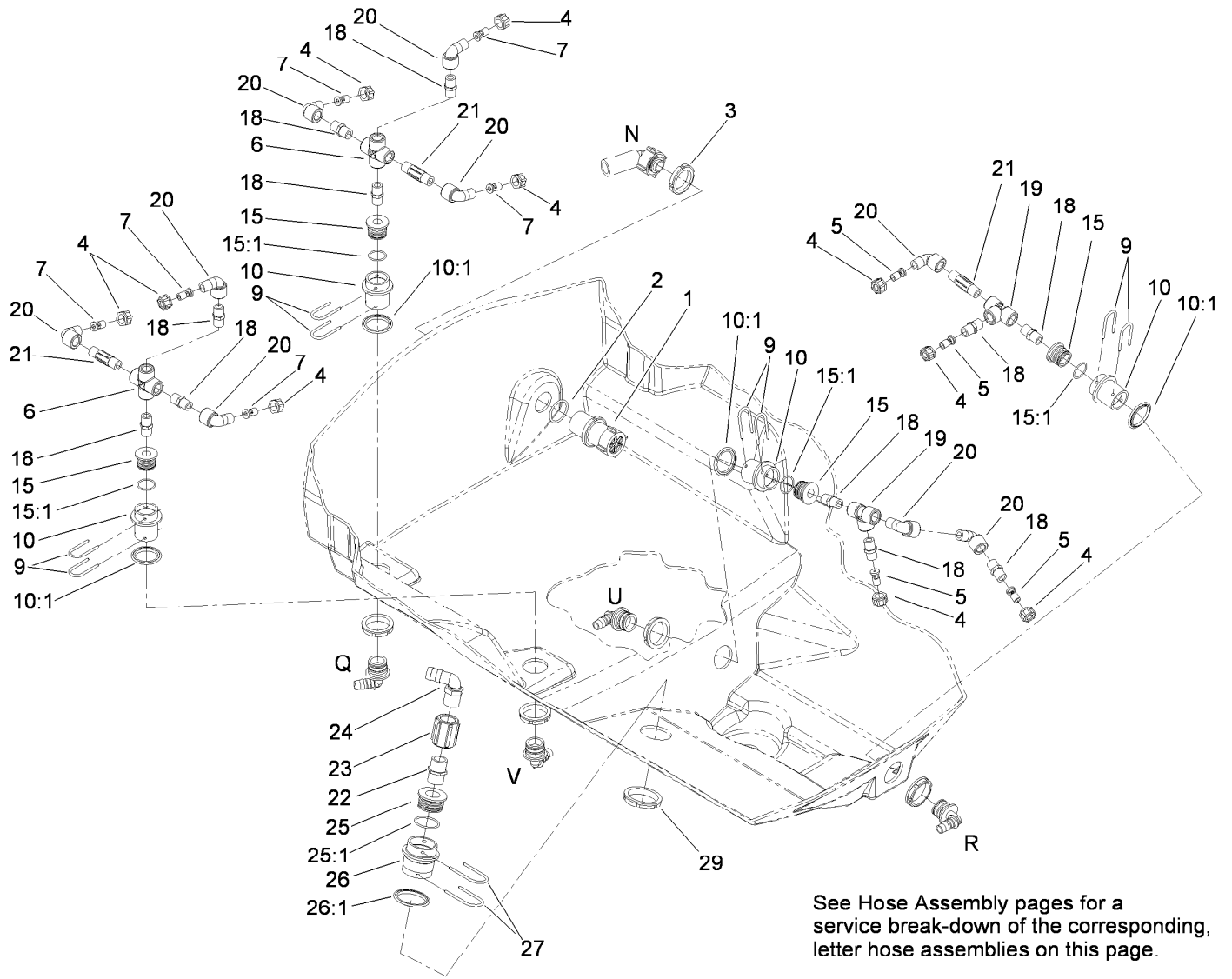
| Ref. | Part Number | Qty. | Description | Ref. | Part Number | Qty. | Description |
|------|-------------|------|------------------|------|-------------|------|---------------------------|
| 1 | 110-5166 | 1 | Outlet-Drain | 8 | | 1 | Top Mounted Suction ASM ● |
| 2 | 104-9041 | 3 | Tee | 9 | 110-5246 | 1 | Seal-Plastic |
| 3 | 100-6708 | 9 | Fork | 10 | 110-5237 | 1 | Nut-Ring, Plastic |
| 4 | 112-7904 | 1 | 90 DEG Elbow ASM | 11 | 107-8650 | 1 | Conduit-Convolutted |
| 4:1 | 110-5217 | 1 | Elbow-90 DEG | 12 | 3290-378 | 2 | Tie-Cable |
| 4:2 | 110-5239 | 1 | O-Ring | 13 | 119-9352 | 1 | Hose-Drain |
| 4:3 | 110-5247 | 1 | Nut-Fly | 14 | 41327 | 1 | Clamp-Hose |
| 5 | 2412-34 | 1 | Clamp-Hose | 15 | 1-809066 | 1 | Cable Tie-Plastic |
| 6 | 100-6713 | 4 | Nut-Bulkhead | 16 | 119-9419 | 1 | Basket-Filter |

● Not serviced separately



Top Mounted Suction Assembly

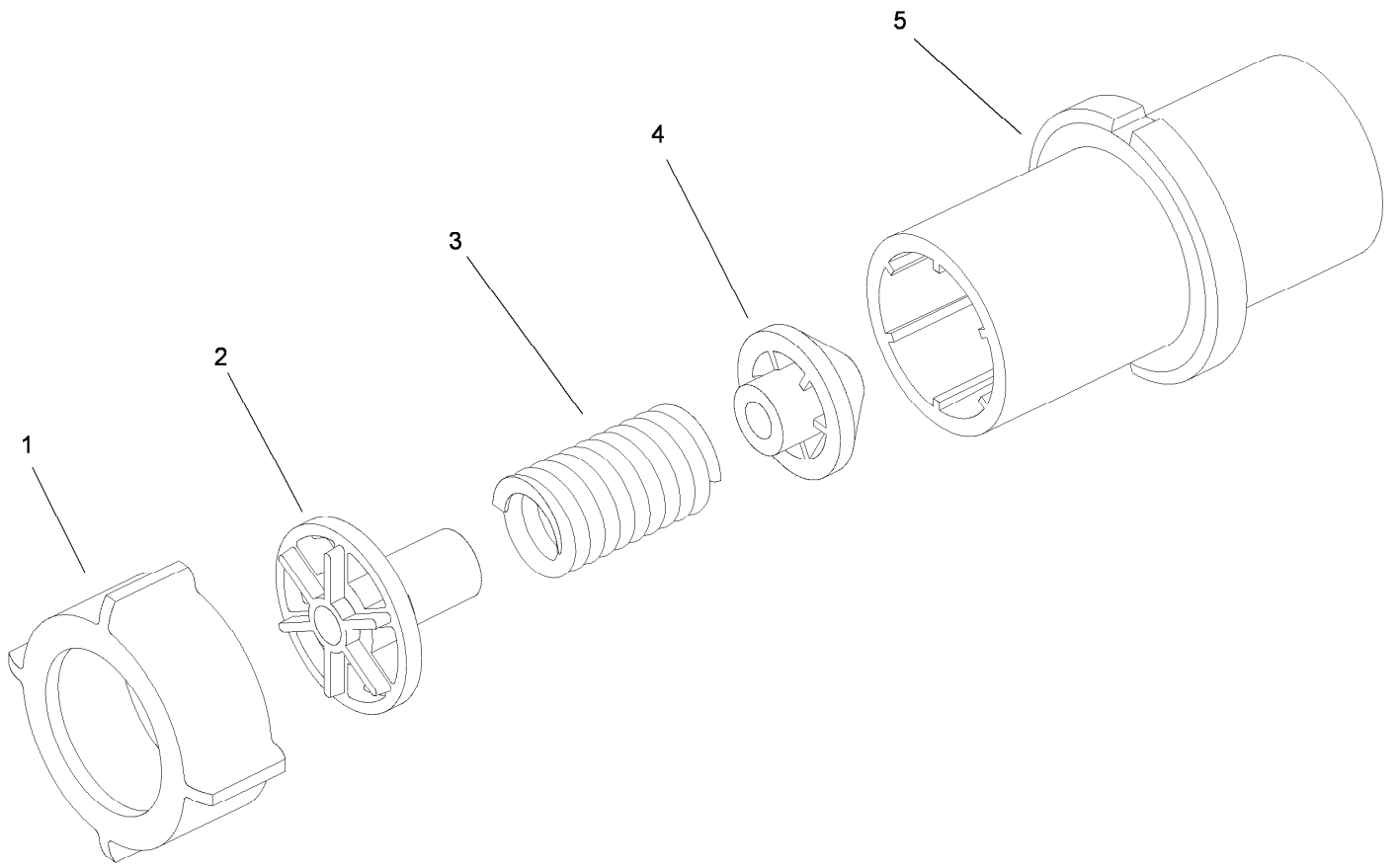
| <i>Ref.</i> | <i>Part Number</i> | <i>Qty.</i> | <i>Description</i> | <i>Ref.</i> | <i>Part Number</i> | <i>Qty.</i> | <i>Description</i> |
|-------------|--------------------|-------------|--------------------|-------------|--------------------|-------------|-----------------------|
| 1 | 100-8636 | 1 | Fork-Special | 10 | 100-6992 | 1 | Element-Filter, Red |
| 2 | 108-3270 | 1 | Screw-TAP | 10 | 100-6991 | 1 | Element-Filter, Green |
| 3 | 26392 | 2 | Clamp-Hose | 10 | 100-8642 | 1 | Screen-Suction |
| 4 | 100-8647 | 1 | Nut-Bulkhead | 11 | 106-4952 | 1 | Hosebarb-90 DEG |
| 5 | 100-8643 | 1 | Housing-Filter | 11:1 | 100-6989 | 1 | O-Ring |
| 6 | 100-8646 | 1 | Gasket-Bulkhead | 12 | 100-8649 | 1 | Hose-Suction |
| 7 | 100-6714 | 1 | Foot-Tube, Suction | 13 | 107-8625 | 1 | Tube-Suction |
| 8 | 100-8641 | 1 | Vane-Screen | 14 | 106-4942 | 1 | Hosebarb-Straight |
| 9 | 100-8644 | 2 | Pin-Expansion | 14:1 | 100-6989 | 1 | O-Ring |



See Hose Assembly pages for a service break-down of the corresponding, letter hose assemblies on this page.

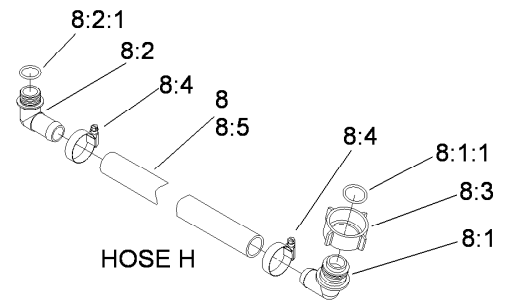
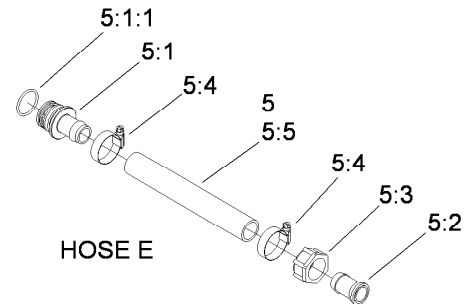
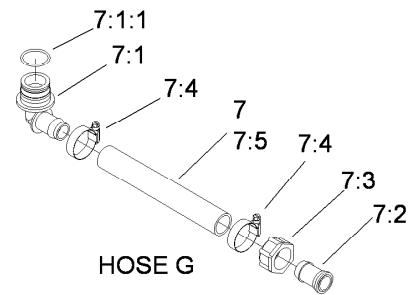
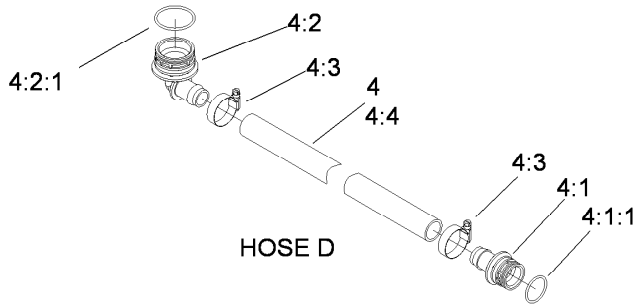
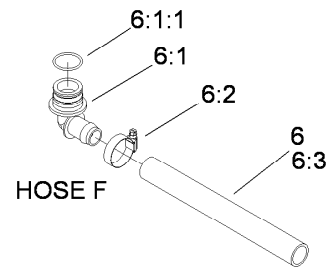
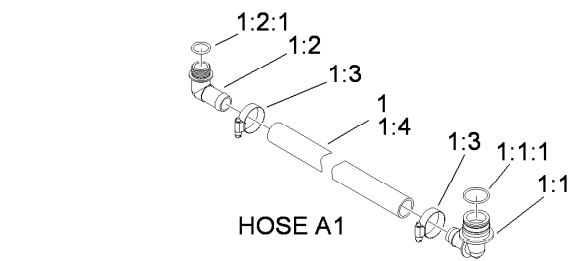
Sprayer Component Assembly No. 3

| <i>Ref.</i> | <i>Part Number</i> | <i>Qty.</i> | <i>Description</i> | <i>Ref.</i> | <i>Part Number</i> | <i>Qty.</i> | <i>Description</i> |
|-------------|--------------------|-------------|----------------------------|-------------|--------------------|-------------|----------------------|
| 1 | 100-6820 | 1 | Safety Valve ASM (225 PSI) | 19 | 94-7100 | 2 | Tee |
| 2 | 100-6652 | 1 | Gasket | 20 | 108-3573 | 9 | Elbow-90 DEG |
| 3 | 99-0761 | 1 | Ringnut | 21 | 94-7103 | 3 | Nipple |
| 4 | 99-0766 | 10 | Nut | 22 | 108-3578 | 1 | Nipple-Short |
| 5 | 100-6705 | 4 | Nozzle-Agitation | 23 | 108-3577 | 1 | Union-Short |
| 6 | 110-5248 | 2 | Cross | 24 | 108-3576 | 1 | Elbow-90 DEG, Barbed |
| 7 | 100-6706 | 6 | Nozzle-Agitation | 25 | 108-3357 | 1 | Adapter ASM |
| 9 | 100-6708 | 8 | Fork | 25:1 | 100-8637 | 1 | O-Ring |
| 10 | 106-4896 | 4 | Fitting-Bulkhead | 26 | 108-3358 | 1 | Fitting-Bulkhead |
| 10:1 | 100-6710 | 1 | Gasket-Bulkhead | 26:1 | 107-2864 | 1 | Gasket-Bulkhead |
| 15 | 106-4943 | 4 | Adapter ASM | 27 | 100-8635 | 2 | Fork |
| 15:1 | 100-6712 | 1 | O-Ring | 29 | 100-7051 | 1 | Nut-Bulkhead |
| 18 | 108-3574 | 11 | Nipple-Short | | | | |



Safety Valve Assembly No. 100-6820

| <i>Ref.</i> | <i>Part Number</i> | <i>Qty.</i> | <i>Description</i> |
|-------------|--------------------|-------------|-----------------------|
| 1 | 100-8678 | 1 | Nut |
| 2 | 100-6724 | 1 | Valve-Relief, Seat |
| 3 | 100-6725 | 1 | Spring-Relief, Valve |
| 4 | 100-6726 | 1 | Cone-Relief, Valve |
| 5 | 100-6727 | 1 | Housing-Relief, Valve |

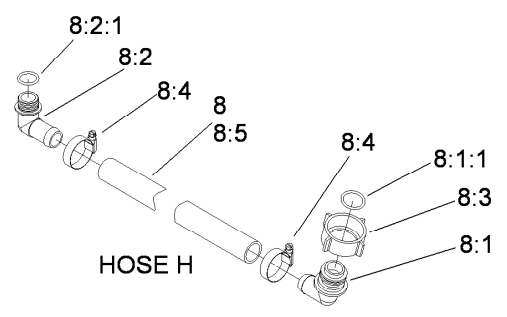
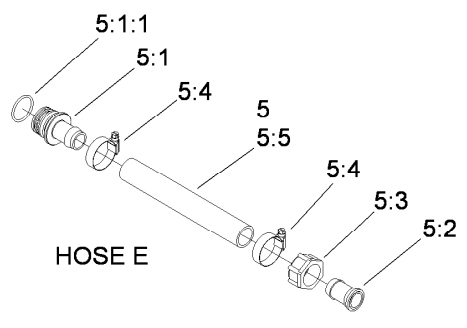
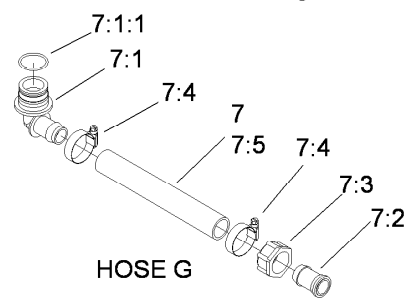
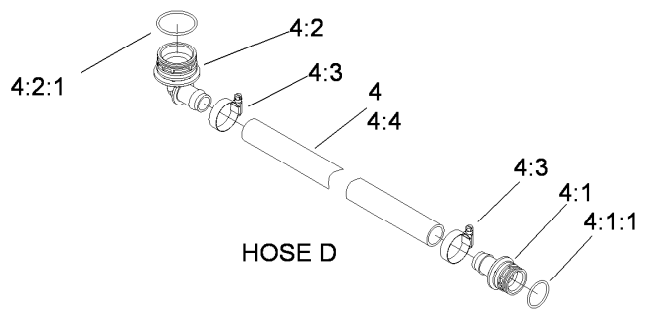
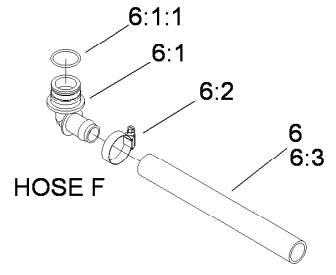
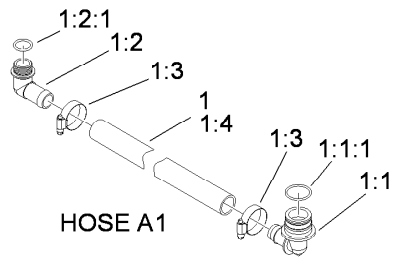


Hose Assembly No. 1

| Ref. | Part Number | Qty. | Description |
|-------|-------------|------|------------------------------|
| 1 | | 1 | Boom Bypass Hose ASM ● |
| 1:1 | 106-4933 | 1 | Hosebarb ASM |
| 1:1:1 | 100-8637 | 1 | O-Ring |
| 1:2 | 106-4948 | 1 | Hose Barb ASM |
| 1:2:1 | 100-6882 | 1 | O-Ring |
| 1:3 | 2412-3 | 2 | Clamp-Hose |
| 1:4 | 104-9044 | 1 | Hose-Bypass, Boom |
| 4 | | 1 | Pressure Manifold Hose ASM ● |
| 4:1 | 106-4935 | 1 | Hosebarb ASM |
| 4:1:1 | 100-6712 | 1 | O-Ring |
| 4:2 | 106-4933 | 1 | Hosebarb ASM |
| 4:2:1 | 100-8637 | 1 | O-Ring |
| 4:3 | 2412-3 | 2 | Clamp-Hose |
| 4:4 | 117-5831 | 1 | Hose-Pressure |
| 5 | | 1 | Main Supply Hose ASM ● |
| 5:1 | 106-4935 | 1 | Hosebarb ASM |
| 5:1:1 | 100-6712 | 1 | O-Ring |

| Ref. | Part Number | Qty. | Description |
|-------|-------------|------|-----------------------------|
| 5:2 | 99-0781 | 1 | Hosebarb |
| 5:3 | 99-0769 | 1 | Nut |
| 5:4 | 2412-3 | 2 | Clamp-Hose |
| 5:5 | 104-8909 | 1 | Hose-Bypass |
| 6 | | 1 | Control Supply Hose ASM ● |
| 6:1 | 106-4945 | 1 | Elbow |
| 6:1:1 | 100-6712 | 1 | O-Ring |
| 6:2 | 2412-3 | 1 | Clamp-Hose |
| 6:3 | 104-8908 | 1 | Hose-Bypass |
| 7 | | 1 | Pressure Control Hose ASM ● |
| 7:1 | 106-4945 | 1 | Elbow |
| 7:1:1 | 100-6712 | 1 | O-Ring |
| 7:2 | 99-0781 | 1 | Hosebarb |
| 7:3 | 99-0769 | 1 | Nut |
| 7:4 | 2412-3 | 2 | Clamp-Hose |
| 7:5 | 104-8909 | 1 | Hose-Bypass |
| 8 | | 1 | Flowmeter Hose ASM ● |

● Not serviced separately

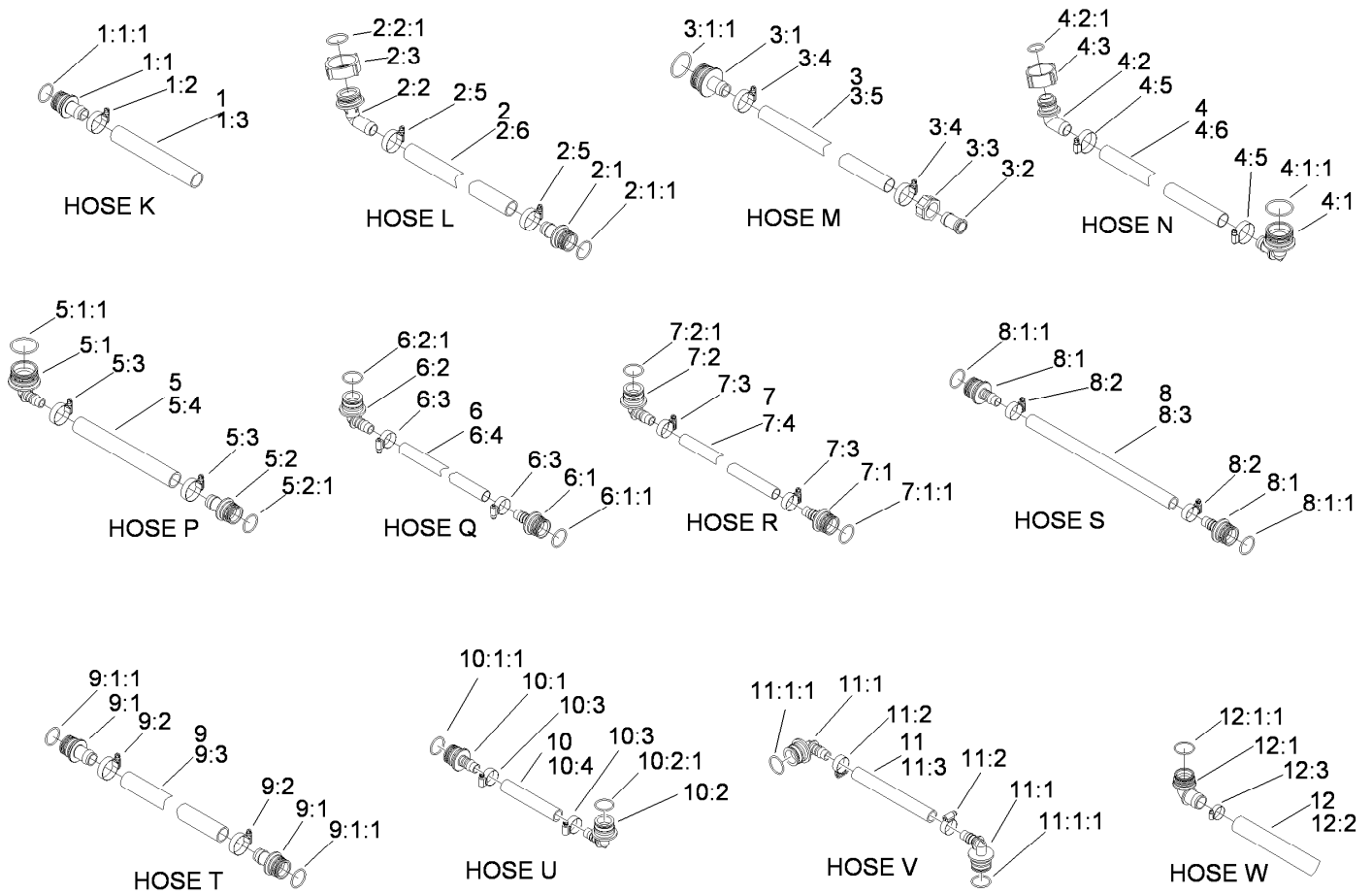


Hose Assembly No. 1 (continued)

| <i>Ref.</i> | <i>Part Number</i> | <i>Qty.</i> | <i>Description</i> |
|-------------|--------------------|-------------|--------------------|
| 8:1 | 106-4949 | 1 | Hosebarb |
| 8:1:1 | 100-6646 | 1 | O-Ring |
| 8:2 | 106-4948 | 1 | Hose Barb ASM |
| 8:2:1 | 100-6882 | 1 | O-Ring |

| <i>Ref.</i> | <i>Part Number</i> | <i>Qty.</i> | <i>Description</i> |
|-------------|--------------------|-------------|--------------------|
| 8:3 | 100-8678 | 1 | Nut |
| 8:4 | 2412-3 | 2 | Clamp-Hose |
| 8:5 | 104-8906 | 1 | Hose-Pressure |

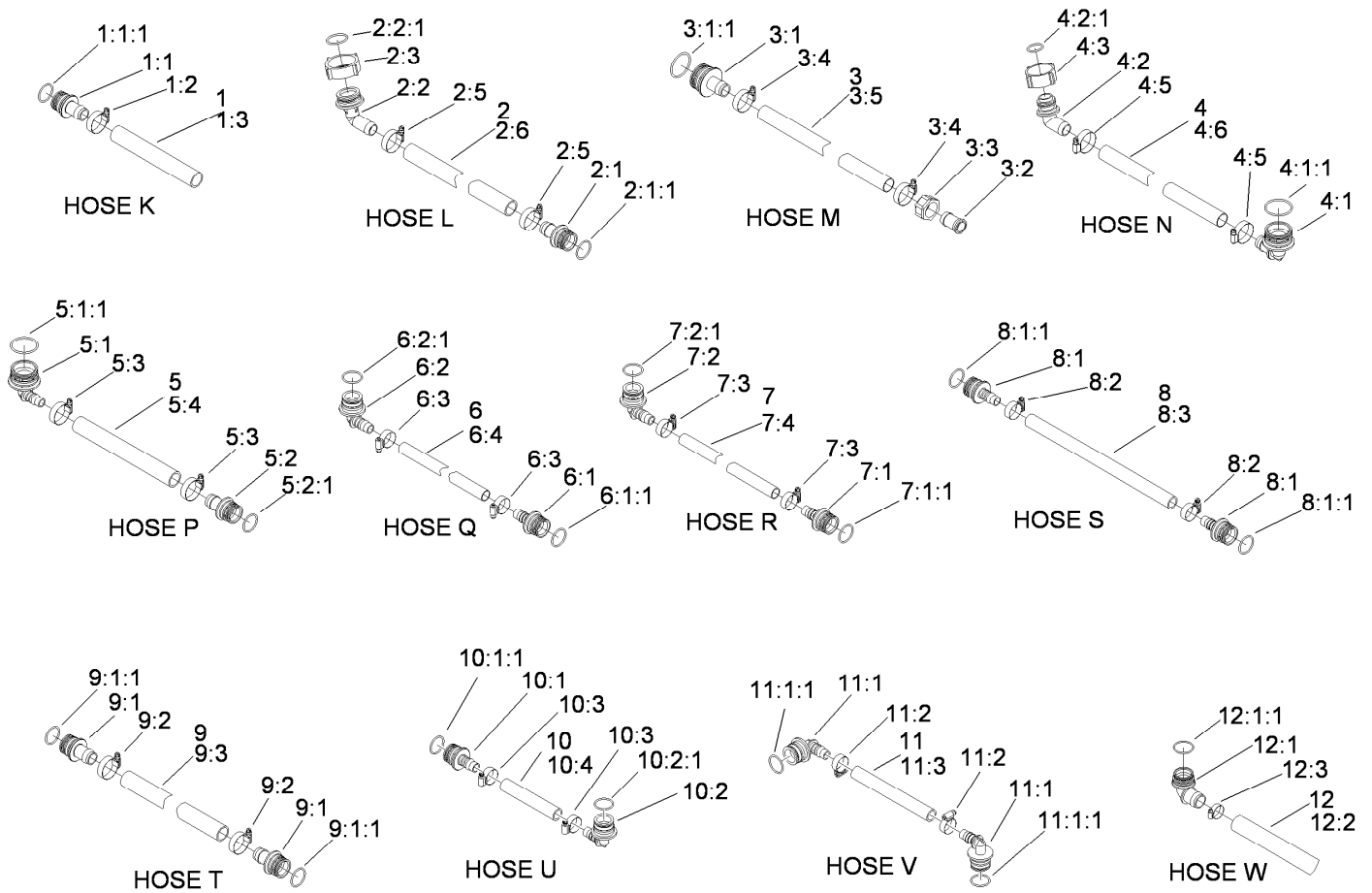
● Not serviced separately



Hose Assembly No. 2

| Ref. | Part Number | Qty. | Description | Ref. | Part Number | Qty. | Description |
|-------|-------------|------|-------------------------------|-------|-------------|------|----------------------------|
| 1 | | 1 | Main On/Off Bypass Hose ASM ● | 3:3 | 99-0769 | 1 | Nut |
| 1:1 | 106-4935 | 1 | Hosebarb ASM | 3:4 | 2412-3 | 2 | Clamp-Hose |
| 1:1:1 | 100-6712 | 1 | O-Ring | 3:5 | 104-8712 | 1 | Hose |
| 1:2 | 2412-3 | 1 | Clamp-Hose | 4 | | 1 | Relief Valve Hose ASM ● |
| 1:3 | 104-8909 | 1 | Hose-Bypass | 4:1 | 106-4933 | 1 | Hosebarb ASM |
| 2 | | 1 | Agitation Valve Hose ASM ● | 4:1:1 | 100-8637 | 1 | O-Ring |
| 2:1 | 106-4935 | 1 | Hosebarb ASM | 4:2 | 106-4949 | 1 | Hosebarb |
| 2:1:1 | 100-6712 | 1 | O-Ring | 4:2:1 | 100-6646 | 1 | O-Ring |
| 2:2 | 106-4950 | 1 | Hose Barb ASM | 4:3 | 100-8678 | 1 | Nut |
| 2:2:1 | 100-8671 | 1 | O-Ring | 4:5 | 2412-3 | 2 | Clamp-Hose |
| 2:3 | 100-8669 | 1 | Nut | 4:6 | 104-8710 | 1 | Hose |
| 2:5 | 2412-3 | 2 | Clamp-Hose | 5 | | 1 | Agitation Valve Hose ASM ● |
| 2:6 | 104-8915 | 1 | Hose-Pressure | 5:1 | 106-4933 | 1 | Hosebarb ASM |
| 3 | | 1 | Manifold Tee Hose ASM ● | 5:1:1 | 100-8637 | 1 | O-Ring |
| 3:1 | 106-4932 | 1 | Hosebarb-Straight | 5:2 | 106-4935 | 1 | Hosebarb ASM |
| 3:1:1 | 100-8637 | 1 | O-Ring | 5:2:1 | 100-6712 | 1 | O-Ring |
| 3:2 | 99-0781 | 1 | Hosebarb | 5:3 | 2412-3 | 2 | Clamp-Hose |
| | | | | 5:4 | 107-8642 | 1 | Hose |

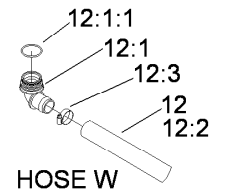
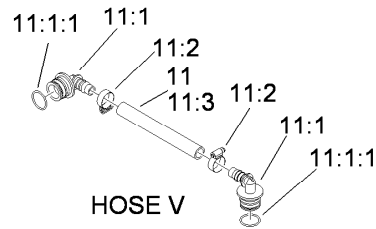
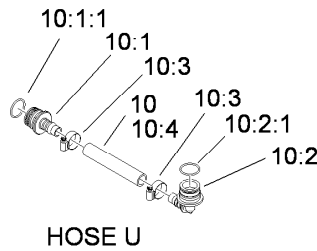
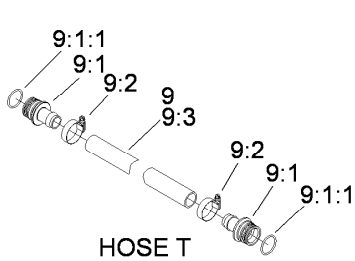
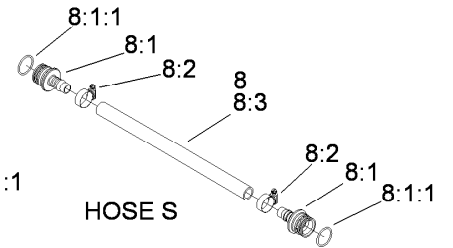
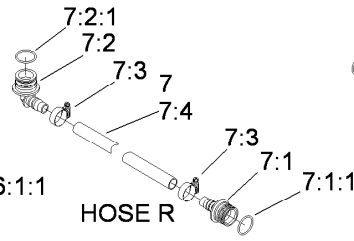
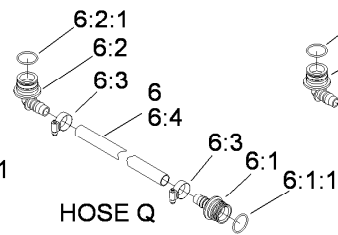
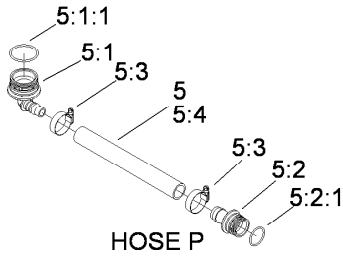
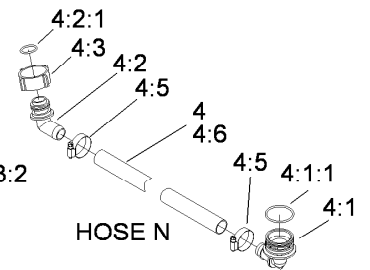
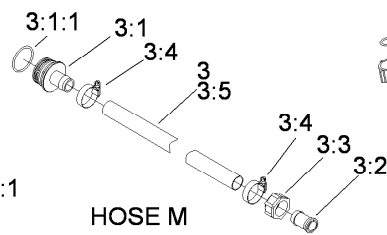
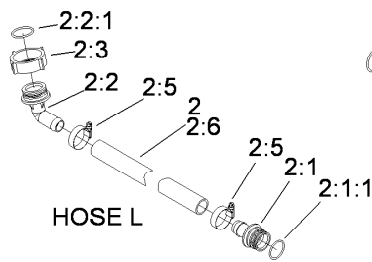
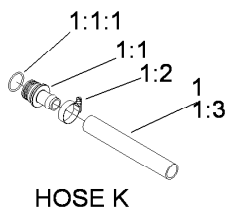
● Not serviced separately



Hose Assembly No. 2 (continued)

| Ref. | Part Number | Qty. | Description | Ref. | Part Number | Qty. | Description |
|-------|-------------|------|----------------------------|--------|-------------|------|--------------------------|
| 6 | | 1 | Rear Hose Agitation ASM ● | 8:3 | 108-3689 | 1 | Hose |
| 6:1 | 106-4939 | 1 | Hosebarb-Straight | 9 | | 1 | Agitation Tee Hose ASM ● |
| 6:1:1 | 100-6712 | 1 | O-Ring | 9:1 | 106-4935 | 2 | Hosebarb ASM |
| 6:2 | 106-4940 | 1 | Hosebarb-90 DEG | 9:1:1 | 100-6712 | 1 | O-Ring |
| 6:2:1 | 100-6712 | 1 | O-Ring | 9:2 | 2412-3 | 2 | Clamp-Hose |
| 6:3 | 2412-129 | 2 | Clamp-Hose | 9:3 | 104-9039 | 1 | Hose-Tee, Agitation |
| 6:4 | 106-1360 | 1 | Hose | 10 | | 1 | Agitation Hose ASM ● |
| 7 | | 1 | Front Agitation Hose ASM ● | 10:1 | 106-4939 | 1 | Hosebarb-Straight |
| 7:1 | 106-4939 | 1 | Hosebarb-Straight | 10:1:1 | 100-6712 | 1 | O-Ring |
| 7:1:1 | 100-6712 | 1 | O-Ring | 10:2 | 106-4940 | 1 | Hosebarb-90 DEG |
| 7:2 | 106-4940 | 1 | Hosebarb-90 DEG | 10:2:1 | 100-6712 | 1 | O-Ring |
| 7:2:1 | 100-6712 | 1 | O-Ring | 10:3 | 2412-129 | 2 | Clamp-Hose |
| 7:3 | 2412-129 | 2 | Clamp-Hose | 10:4 | 108-3366 | 1 | Hose |
| 7:4 | 104-8706 | 1 | Hose | 11 | | 1 | Agitation Hose ASM ● |
| 8 | | 1 | Agitation Hose ASM ● | 11:1 | 106-4940 | 2 | Hosebarb-90 DEG |
| 8:1 | 106-4939 | 2 | Hosebarb-Straight | 11:1:1 | 100-6712 | 1 | O-Ring |
| 8:1:1 | 100-6712 | 1 | O-Ring | 11:2 | 2412-129 | 2 | Clamp-Hose |
| 8:2 | 2412-129 | 2 | Clamp-Hose | 11:3 | 108-3365 | 1 | Hose |

● Not serviced separately

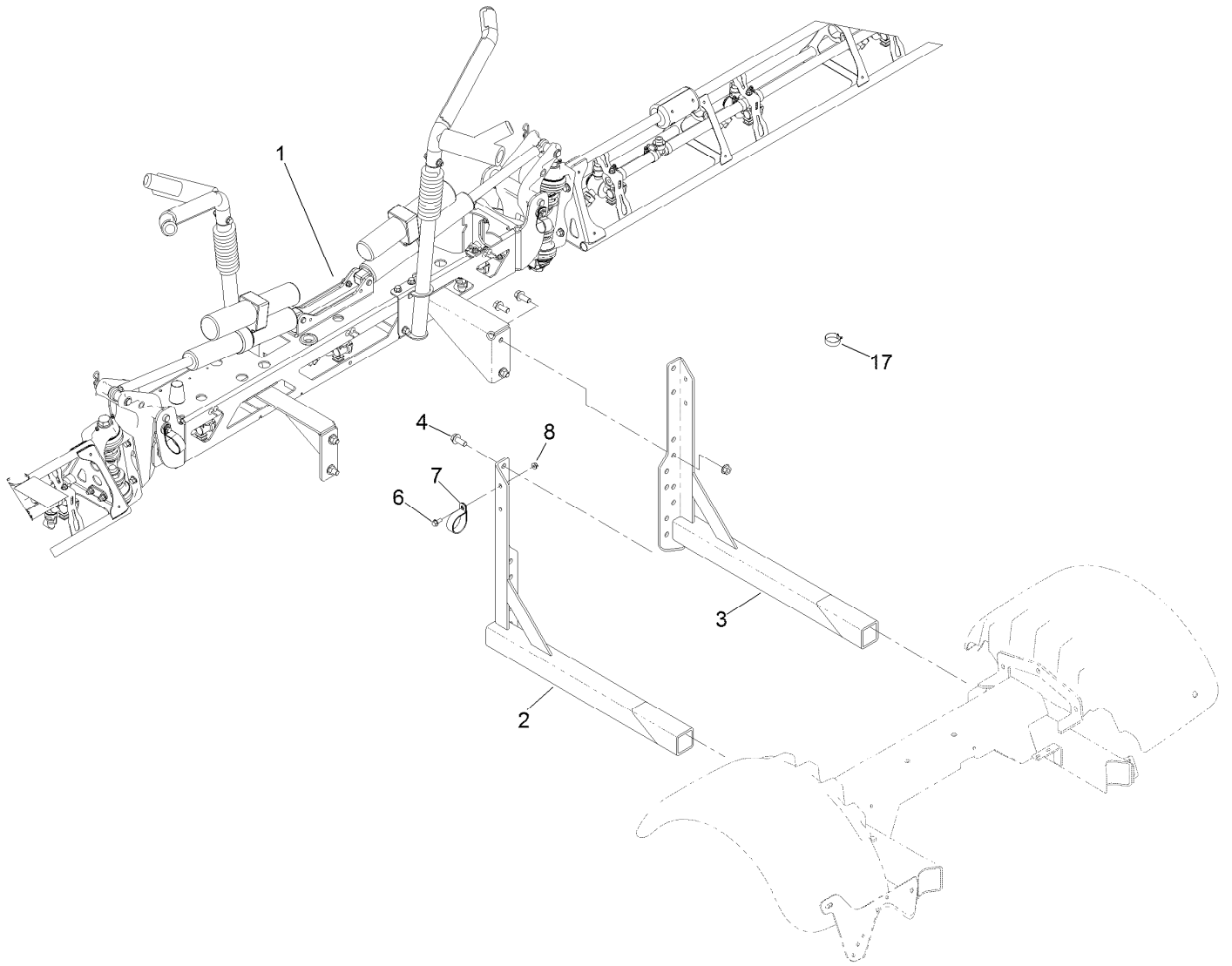


Hose Assembly No. 2 (continued)

| Ref. | Part Number | Qty. | Description |
|--------|-------------|------|--------------------|
| 12 | | 1 | Suction Hose ASM ● |
| 12:1 | 110-5156 | 1 | Suction Elbow ASM |
| 12:1:1 | 100-8637 | 1 | O-Ring |

| Ref. | Part Number | Qty. | Description |
|------|-------------|------|--------------|
| 12:2 | 108-3685 | 1 | Hose-Suction |
| 12:3 | 41327 | 1 | Clamp-Hose |

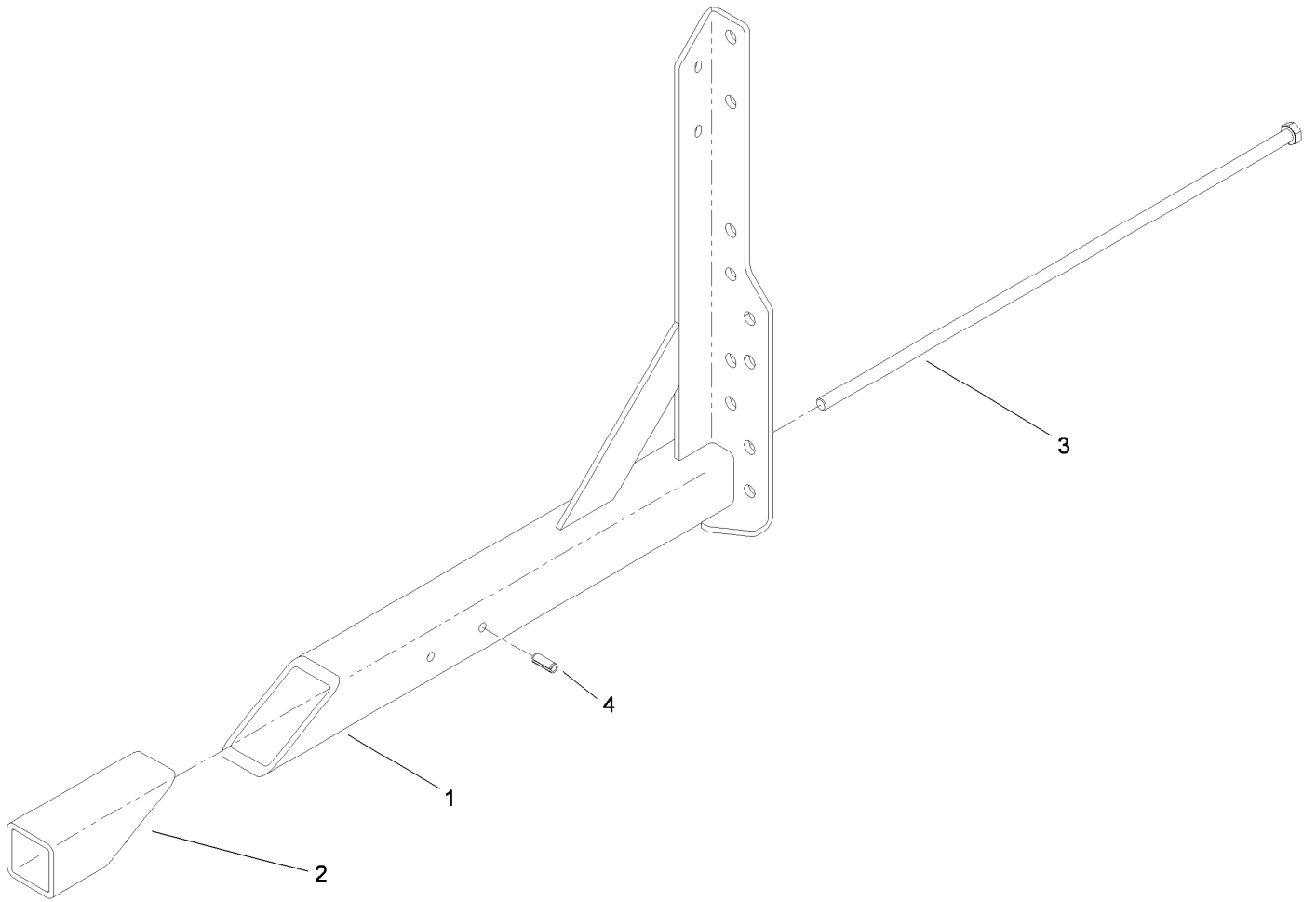
● Not serviced separately



Boom Mount Assembly

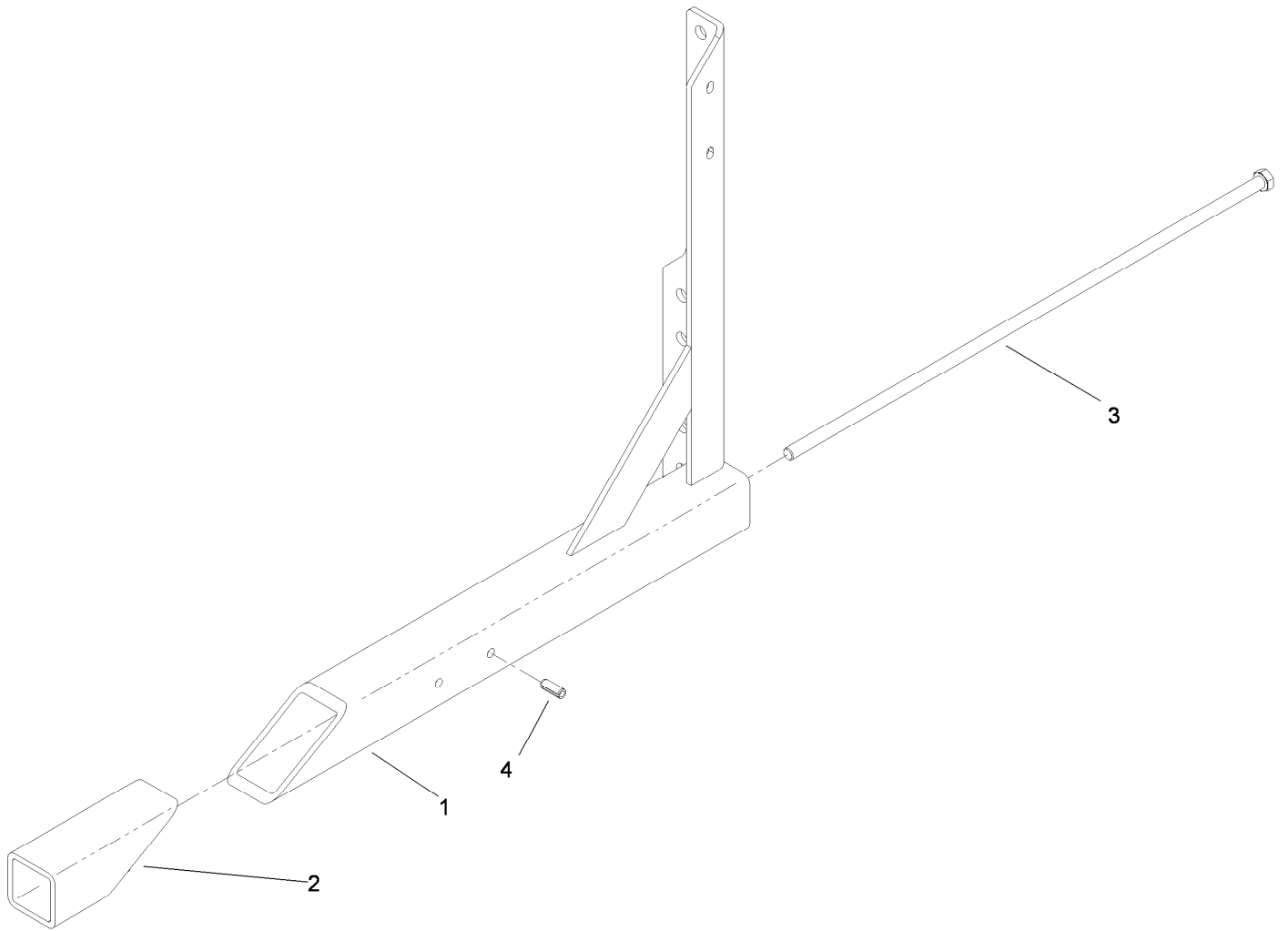
| Ref. | Part Number | Qty. | Description |
|------|-------------|------|---------------------|
| 1 | | 1 | Boom ASM ● |
| 2 | | 1 | RH Boom Mount ASM ● |
| 3 | | 1 | LH Boom Mount ASM ● |
| 4 | 110-5057 | 4 | Capscrew-HHF |
| 6 | 3234-5 | 1 | Screw-HHF |
| 7 | 114-9566 | 1 | Clamp-R |
| 8 | 104-8300 | 1 | Nut-HF, NI |
| 17 | 2412-34 | 3 | Clamp-Hose |

● Not serviced separately



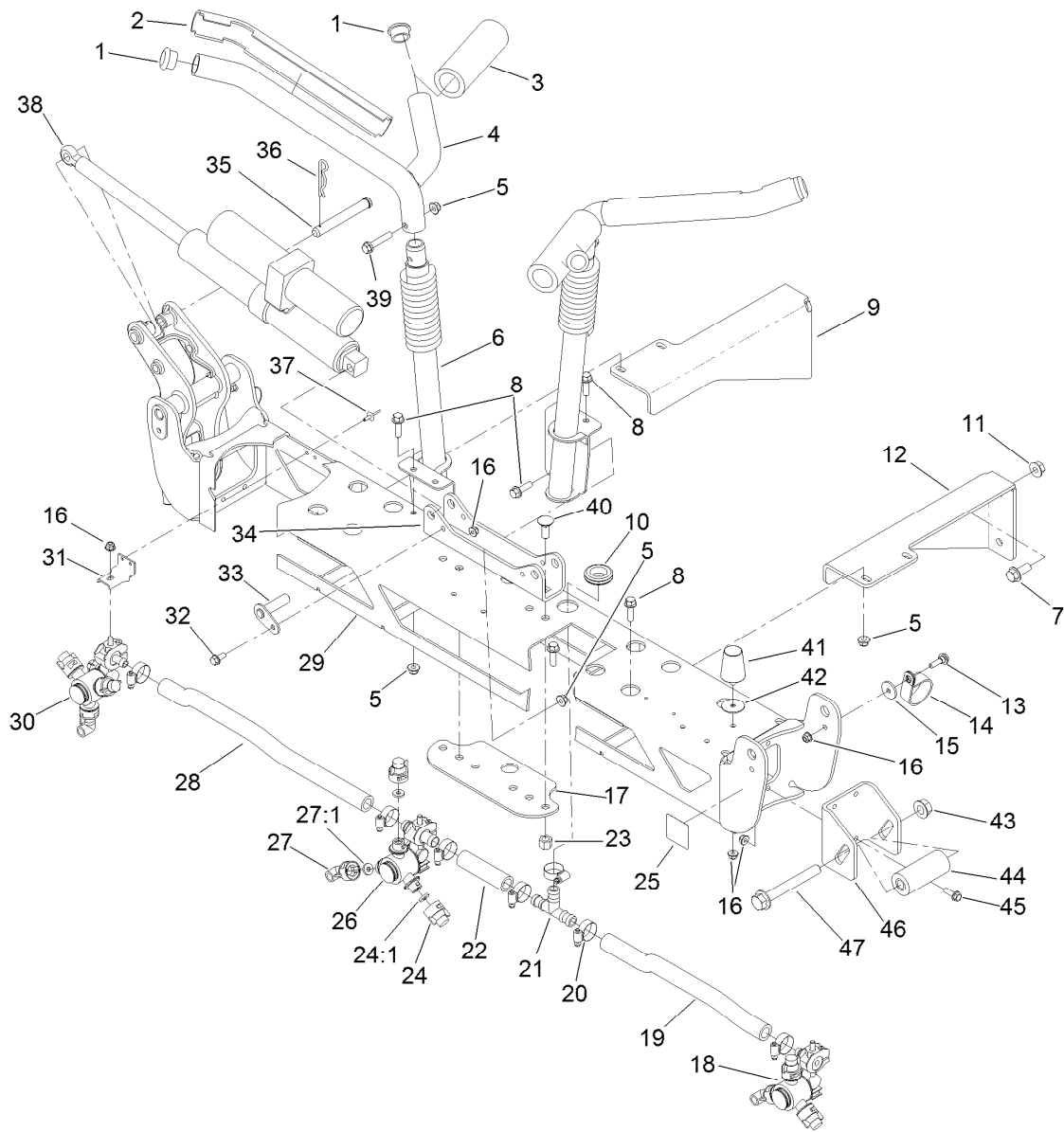
Right Hand Boom Mount Assembly

| <i>Ref.</i> | <i>Part Number</i> | <i>Qty.</i> | <i>Description</i> |
|-------------|--------------------|-------------|--------------------|
| 1 | 108-3714-03 | 1 | RH Boom Mount ASM |
| 2 | 107-8638-03 | 1 | Wedge-Tube |
| 3 | 107-8620 | 1 | Screw-HH |
| 4 | 32121-41 | 1 | Pin-Roll |



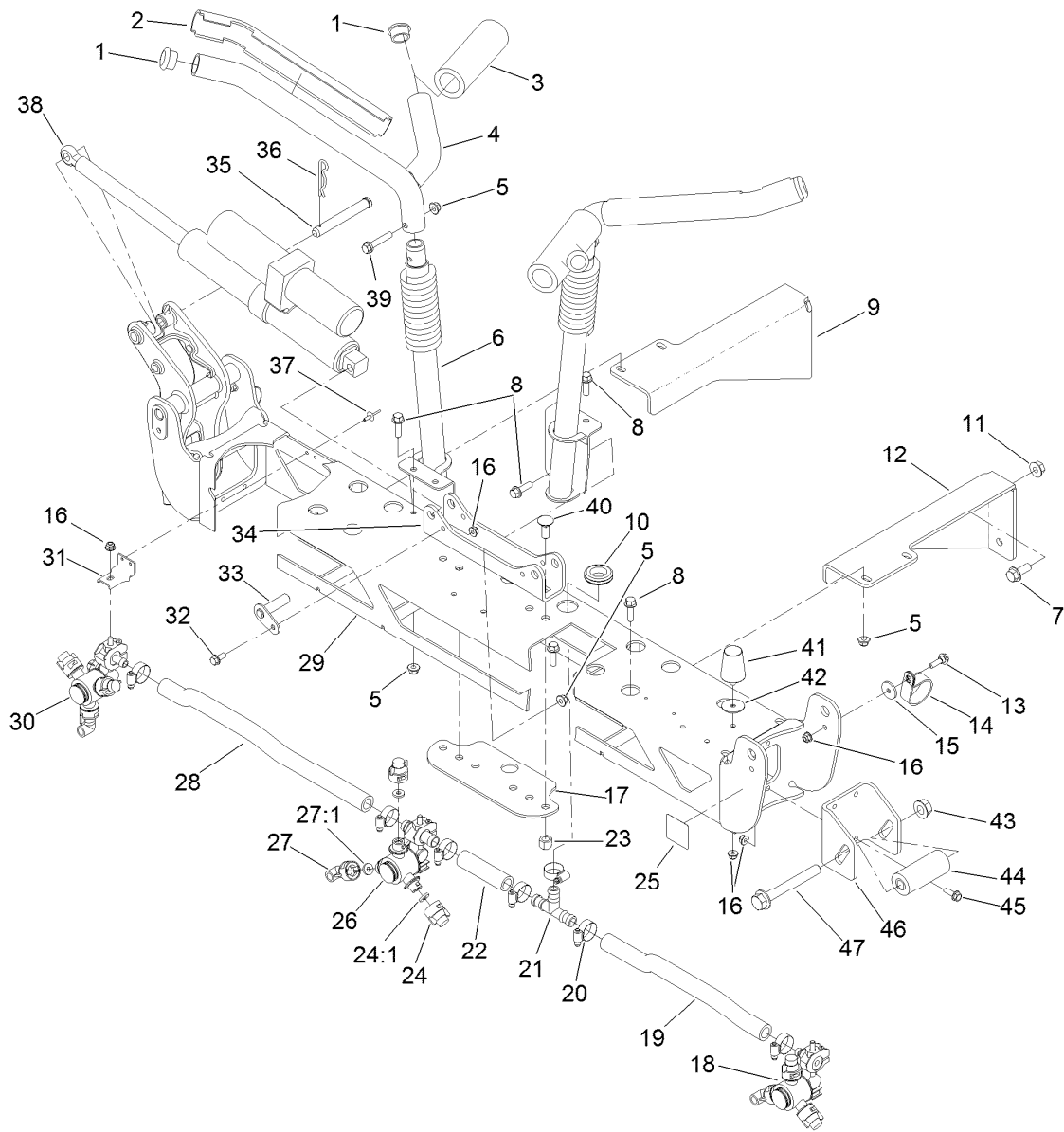
Left Hand Boom Mount Assembly

| <i>Ref.</i> | <i>Part Number</i> | <i>Qty.</i> | <i>Description</i> |
|-------------|--------------------|-------------|--------------------|
| 1 | 108-3715-03 | 1 | LH Boom Mount ASM |
| 2 | 107-8638-03 | 1 | Wedge-Tube |
| 3 | 107-8620 | 1 | Screw-HH |
| 4 | 32121-41 | 1 | Pin-Roll |



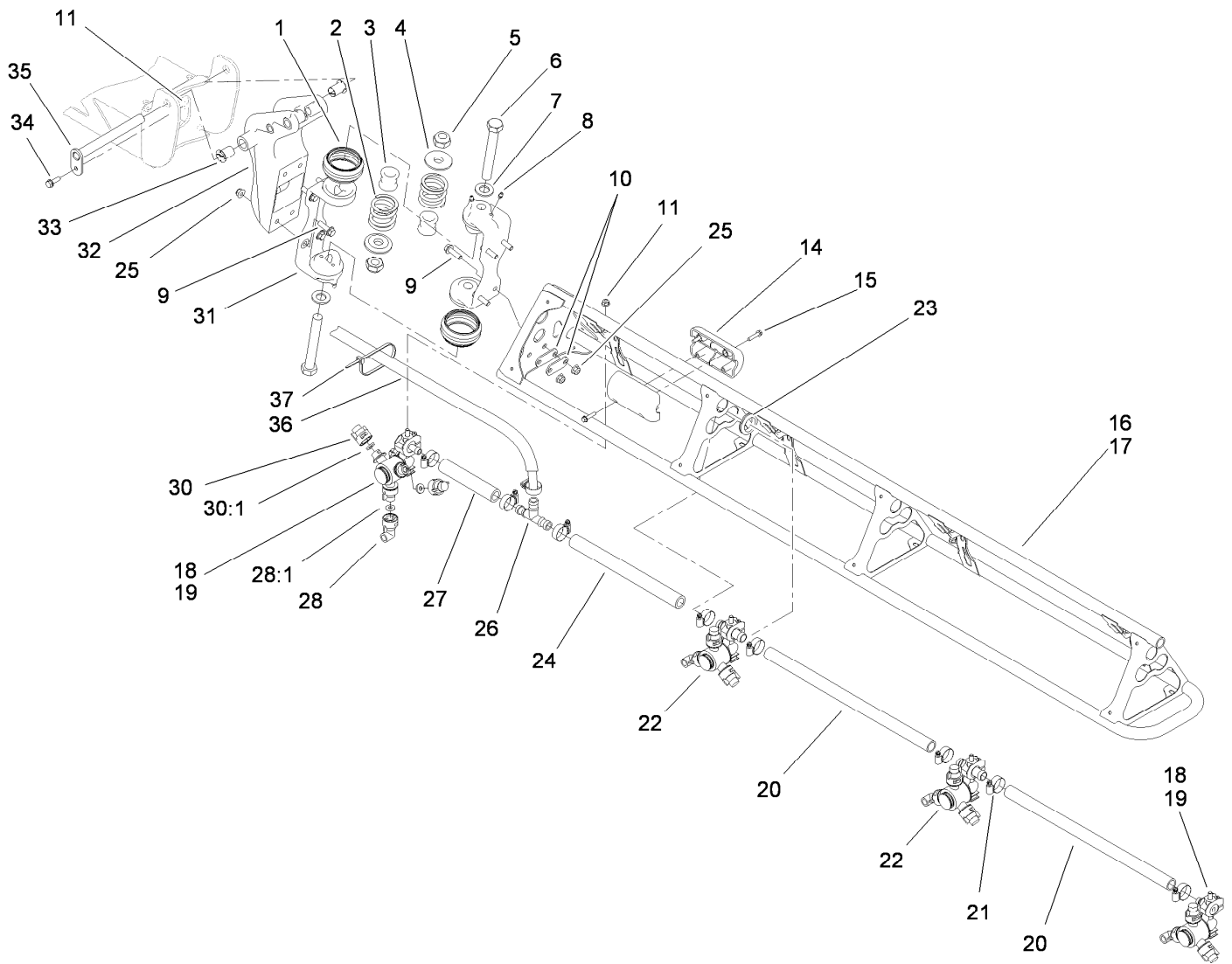
Center Boom Assembly

| <i>Ref.</i> | <i>Part Number</i> | <i>Qty.</i> | <i>Description</i> | <i>Ref.</i> | <i>Part Number</i> | <i>Qty.</i> | <i>Description</i> |
|-------------|--------------------|-------------|---------------------------|-------------|--------------------|-------------|---------------------------|
| 1 | 108-3489 | 4 | Cap-Tube | 22 | 108-3717 | 1 | Hose-Boom |
| 2 | 108-3495 | 2 | Cover-Slide | 23 | 3296-23 | 2 | Nut-Lock, NI |
| 3 | 108-3457 | 2 | Spacer | 24 | 95-9187 | 6 | Cap-Blank |
| 4 | 108-3476-03 | 2 | Cradle-Upper | 24:1 | 40998 | 1 | Seat-Gasket |
| 5 | 104-8301 | 12 | Nut-HF, NI | 25 | 114-9576 | 2 | Decal-Pinchpoint |
| 6 | 108-3472-03 | 2 | Cradle-Lower | 26 | 108-3727 | 1 | Double Turret Body ASM |
| 7 | 110-5057 | 4 | Capscrew-HHF | 27 | 95-9186 | 3 | Cap |
| 8 | 110-5050 | 10 | Screw-HHF | 27:1 | 40998 | 1 | Seat-Gasket |
| 9 | 121-5004-03 | 1 | Bracket-Mount, Boom | 28 | 108-3735 | 1 | Hose-Boom, Center (LH) |
| 10 | 108-3723 | 1 | Grommet | 29 | 114-9579-03 | 1 | Frame ASM |
| 11 | 108-3745 | 4 | Nut-HHF, Whiz | 30 | 108-3725 | 1 | LH Single Body Turret ASM |
| 12 | 121-5005-03 | 1 | Bracket-Mount, Boom | 31 | 107-8775 | 3 | Bracket-Mount, Nozzle |
| 13 | 108-3744 | 2 | Screw-Shoulder | 32 | 110-5053 | 2 | Screw-HHF |
| 14 | 114-9566 | 2 | Clamp-R | 33 | 112-7884 | 2 | Pin-Pivot |
| 15 | 108-3743 | 2 | Washer | 34 | 114-9560-03 | 1 | Strap-Clevis |
| 16 | 104-8300 | 17 | Nut-HF, NI | 35 | 108-3436 | 2 | Pin-Clevis |
| 17 | 108-3469-03 | 1 | Plate-Washer | 36 | 3290-468 | 2 | Pin-Cotter |
| 18 | 108-3726 | 1 | RH Single Body Turret ASM | 37 | 3269-18 | 6 | Rivet-Blind |
| 19 | 108-3718 | 1 | Hose-Boom, Center (RH) | 38 | 108-3438 | 2 | Actuator |
| 20 | 2412-129 | 7 | Clamp-Hose | 39 | 108-3742 | 2 | Screw-HHF |
| 21 | 108-3439 | 1 | Tee | 40 | 110-5067 | 2 | Screw-CARR |



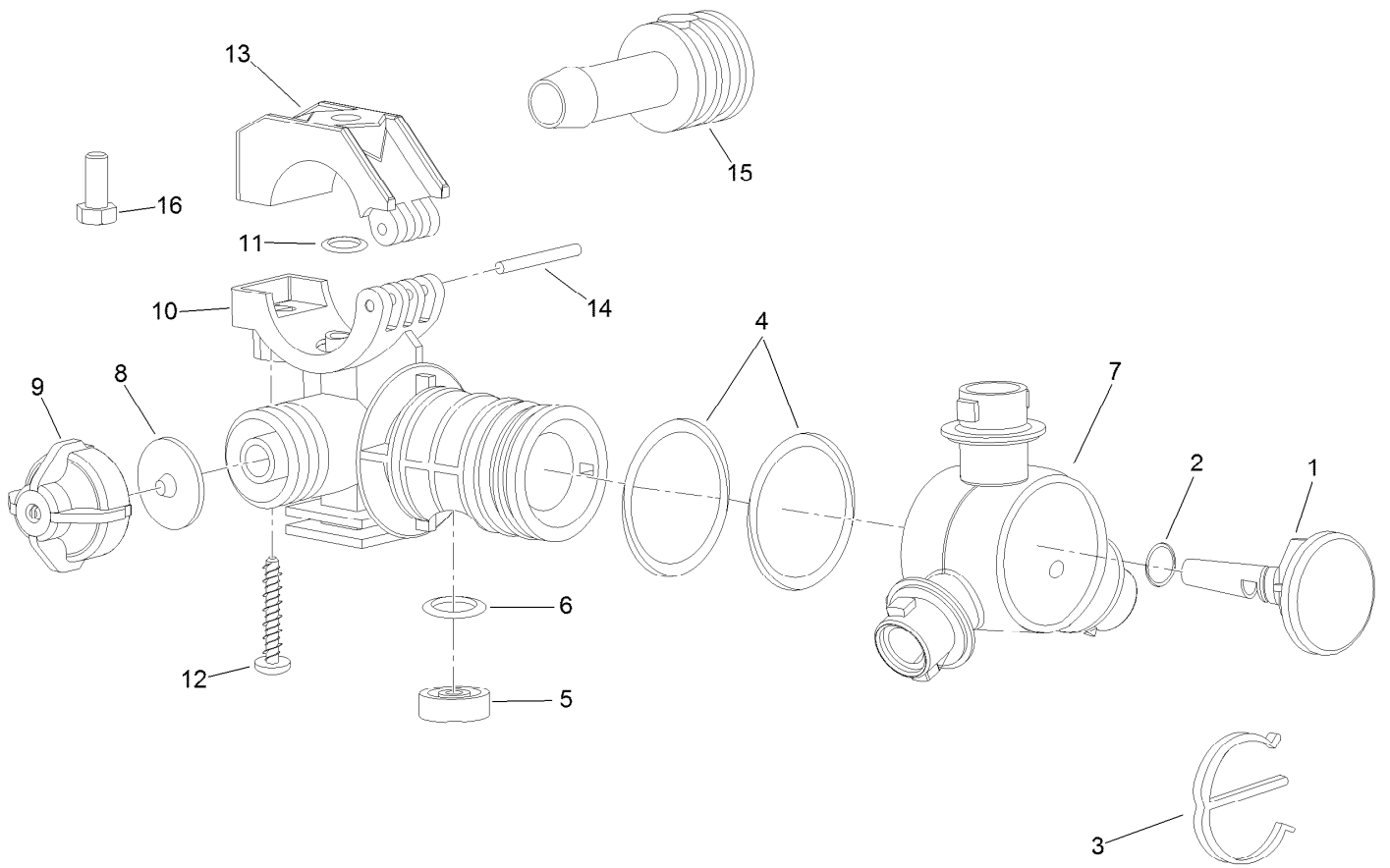
Center Boom Assembly (continued)

| <i>Ref.</i> | <i>Part Number</i> | <i>Qty.</i> | <i>Description</i> | <i>Ref.</i> | <i>Part Number</i> | <i>Qty.</i> | <i>Description</i> |
|-------------|--------------------|-------------|--------------------|-------------|--------------------|-------------|--------------------|
| 41 | 110-5070 | 2 | Bumper | 45 | 108-3748 | 8 | Screw-HHF |
| 42 | 3256-68 | 2 | Washer-Flat | 46 | 112-7872-03 | 2 | Bracket-Hard Stop |
| 43 | 32128-54 | 2 | Nut-HF | 47 | 105-1763 | 2 | Screw-HHF |
| 44 | 112-7881 | 2 | Bumper | | | | |



Left and Right Hand Boom Assembly

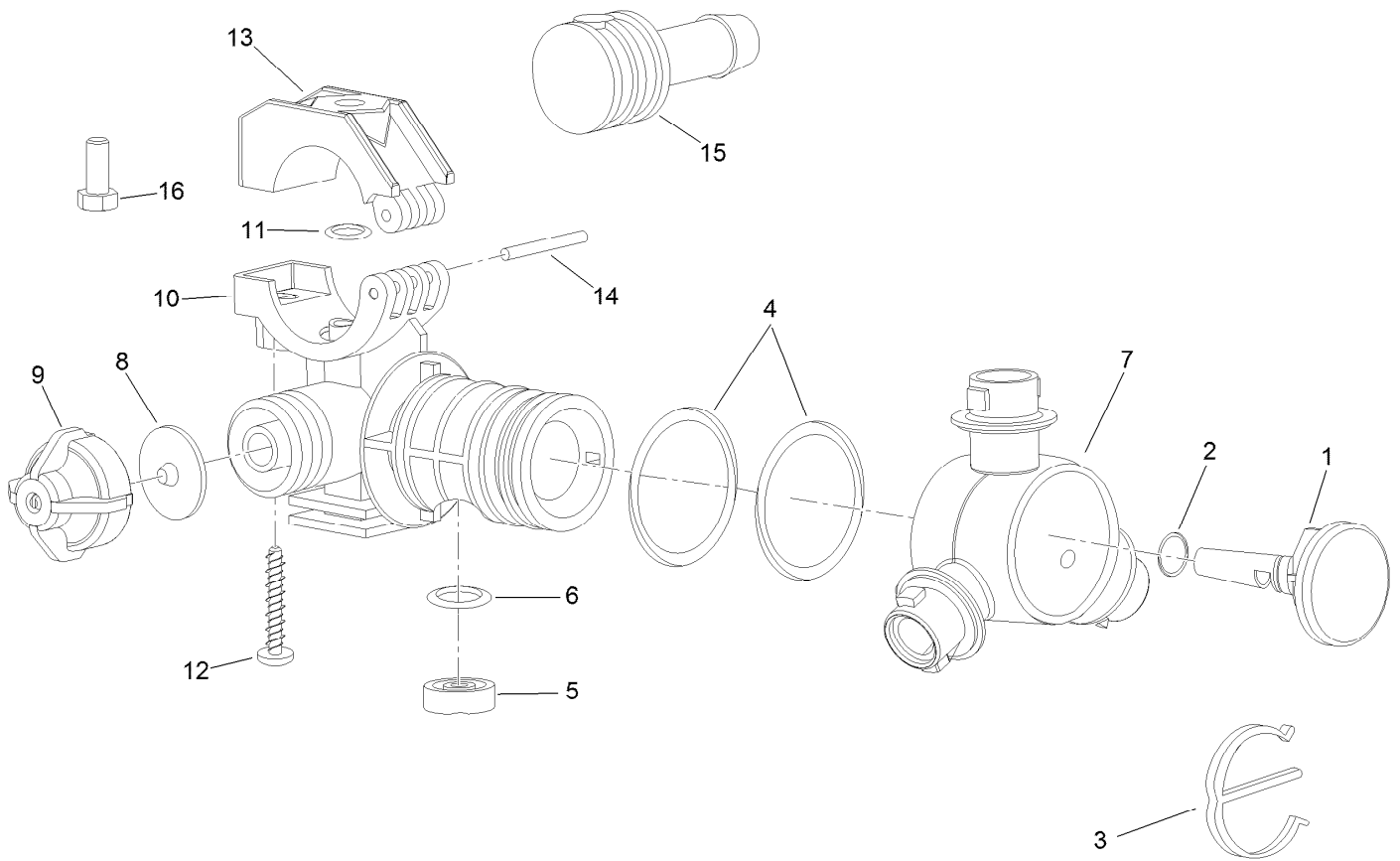
| Ref. | Part Number | Qty. | Description | Ref. | Part Number | Qty. | Description |
|------|-------------|------|---------------------------|------|-------------|------|------------------------|
| 1 | 108-3459 | 4 | Boot-Hinge | 21 | 2412-129 | 18 | Clamp-Hose |
| 2 | 108-3440 | 4 | Spring-Breakaway, Boom | 22 | 108-3727 | 4 | Double Turret Body ASM |
| 3 | 120-8541 | 4 | Dampener-Hinge | 23 | 240-3 | 4 | Grommet-Rubber |
| 4 | 108-3444 | 4 | Retainer-Spring | 24 | 108-3721 | 2 | Hose-Boom |
| 5 | 3296-15 | 4 | Nut-Lock, NI | 25 | 104-8301 | 16 | Nut-HF, NI |
| 6 | 108-3738 | 4 | Screw-HH | 26 | 108-3439 | 2 | Tee |
| 7 | 110-5054 | 4 | Washer-Flat | 27 | 108-3728 | 2 | Hose-Boom |
| 8 | 302-5 | 8 | Fitting-Grease | 28 | 95-9186 | 8 | Cap |
| 9 | 110-5050 | 16 | Screw-HHF | 28:1 | 40998 | 1 | Seat-Gasket |
| 10 | 108-3605 | 8 | Plate-Backing | 30 | 95-9187 | 16 | Cap-Blank |
| 11 | 104-8300 | 10 | Nut-HF, NI | 30:1 | 40998 | 1 | Seat-Gasket |
| 14 | 119-9368 | 4 | Block Slide | 31 | 108-3471-03 | 4 | Hinge |
| 15 | 119-9369 | 8 | Screw-HHF | 32 | 119-4993-03 | 2 | Bracket-Pivot |
| 16 | 108-3524-03 | 1 | Boom-RH | 33 | 100-8541 | 4 | Bushing-A Arm |
| 17 | 108-3525-03 | 1 | Boom-LH | 34 | 108-3748 | 2 | Screw-HHF |
| 18 | 108-3726 | 2 | RH Single Body Turret ASM | 35 | 108-3419 | 2 | Pivot Pin ASM |
| 19 | 108-3725 | 2 | LH Single Body Turret ASM | 36 | 107-8650 | 2 | Conduit-Convolutod |
| 20 | 40506 | 4 | Hose-Jumper | 37 | 3290-378 | 4 | Tie-Cable |



RH Single Body Turret Assembly No. 108-3726

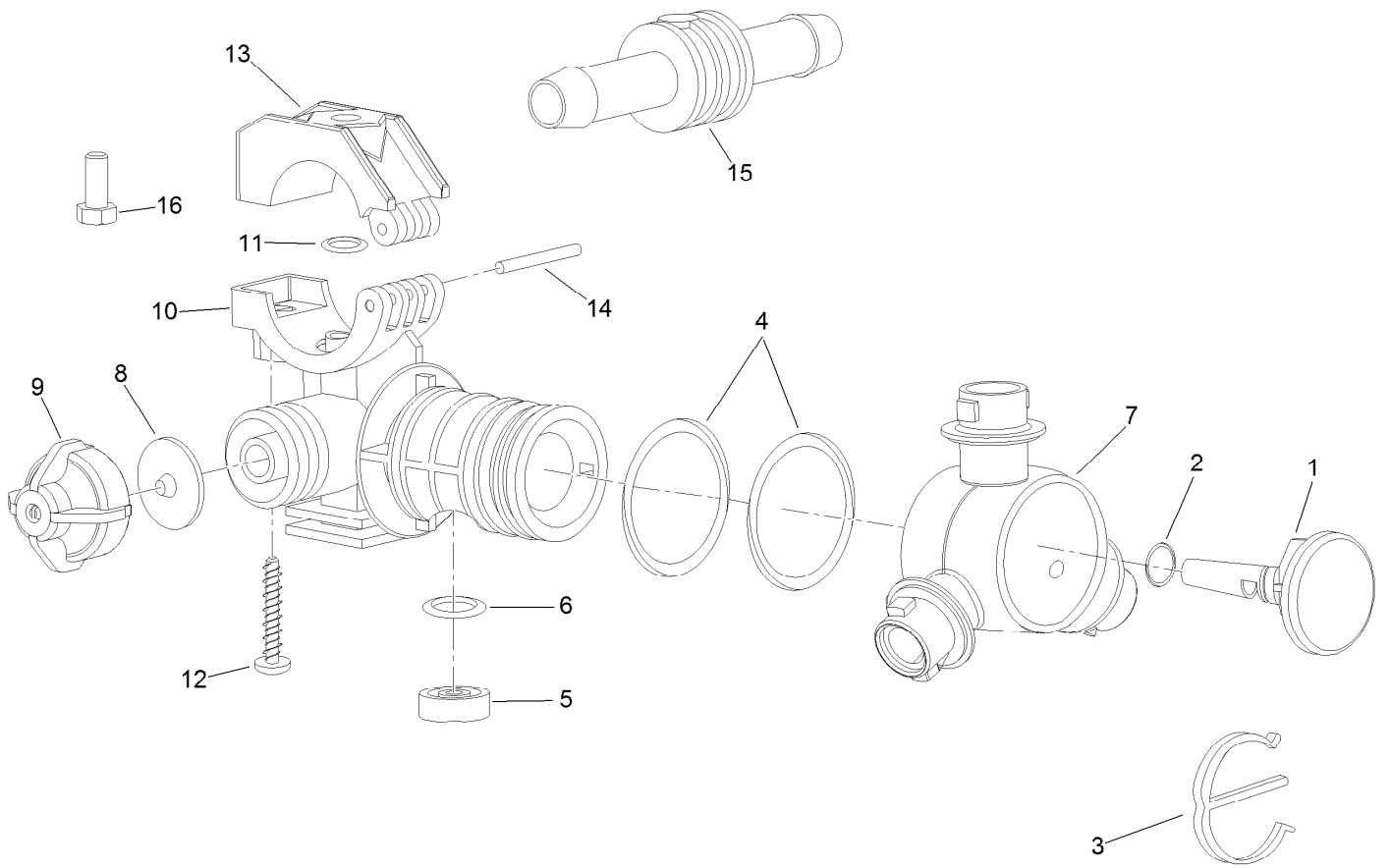
| <i>Ref.</i> | <i>Part Number</i> | <i>Qty.</i> | <i>Description</i> |
|-------------|--------------------|-------------|--------------------|
| 1 | 95-9200 | 1 | Plug |
| 2 | 95-9198 | 1 | O-Ring |
| 3 | 95-9197 | 1 | E-Clip |
| 4 | 95-9199 | 2 | O-Ring |
| 5 | 108-3264 | 1 | Seal-Viton |
| 6 | 108-3265 | 1 | O-Ring-Viton |
| 7 | 95-9196 | 1 | Turret |
| 8 | 41003 | 1 | Diaphragm |

| <i>Ref.</i> | <i>Part Number</i> | <i>Qty.</i> | <i>Description</i> |
|-------------|--------------------|-------------|--------------------|
| 9 | 95-9193 | 1 | Cap-Diaphragm |
| 10 | 95-9192 | 1 | Body-Split Eyelet |
| 11 | 95-9191 | 1 | O-Ring |
| 12 | 99-0811 | 1 | Screw-Clamp |
| 13 | 99-0812 | 1 | Clamp-Upper |
| 14 | 99-0814 | 1 | Pin-Pivot |
| 15 | 95-9201 | 1 | Shank-Hose |
| 16 | 322-3 | 1 | Screw-HH |



LH Single Turret Body Assembly No. 108-3725

| <i>Ref.</i> | <i>Part Number</i> | <i>Qty.</i> | <i>Description</i> | <i>Ref.</i> | <i>Part Number</i> | <i>Qty.</i> | <i>Description</i> |
|-------------|--------------------|-------------|--------------------|-------------|--------------------|-------------|--------------------|
| 1 | 95-9200 | 1 | Plug | 9 | 95-9193 | 1 | Cap-Diaphragm |
| 2 | 95-9198 | 1 | O-Ring | 10 | 95-9192 | 1 | Body-Split Eyelet |
| 3 | 95-9197 | 1 | E-Clip | 11 | 95-9191 | 1 | O-Ring |
| 4 | 95-9199 | 2 | O-Ring | 12 | 99-0811 | 1 | Screw-Clamp |
| 5 | 108-3264 | 1 | Seal-Viton | 13 | 99-0812 | 1 | Clamp-Upper |
| 6 | 108-3265 | 1 | O-Ring-Viton | 14 | 99-0814 | 1 | Pin-Pivot |
| 7 | 95-9196 | 1 | Turret | 15 | 95-9201 | 1 | Shank-Hose |
| 8 | 41003 | 1 | Diaphragm | 16 | 322-3 | 1 | Screw-HH |



Double Turret Body Assembly No. 108-3727

| Ref. | Part Number | Qty. | Description |
|------|-------------|------|--------------|
| 1 | 95-9200 | 1 | Plug |
| 2 | 95-9198 | 1 | O-Ring |
| 3 | 95-9197 | 1 | E-Clip |
| 4 | 95-9199 | 2 | O-Ring |
| 5 | 108-3264 | 1 | Seal-Viton |
| 6 | 108-3265 | 1 | O-Ring-Viton |
| 7 | 95-9196 | 1 | Turret |
| 8 | 41003 | 1 | Diaphragm |

| Ref. | Part Number | Qty. | Description |
|------|-------------|------|-------------------|
| 9 | 95-9193 | 1 | Cap-Diaphragm |
| 10 | 95-9192 | 1 | Body-Split Eyelet |
| 11 | 95-9191 | 1 | O-Ring |
| 12 | 99-0811 | 1 | Screw-Clamp |
| 13 | 99-0812 | 1 | Clamp-Upper |
| 14 | 99-0814 | 1 | Pin-Pivot |
| 15 | 95-9202 | 1 | Shank-Hose |
| 16 | 322-3 | 1 | Screw-HH |

Attachments and Accessories

For 41199 Multi-Pro 1200 Turf Sprayer

| Product Name | Model/Part |
|---|-------------------|
| Rinse Kit | 106-4842 |
| Sprayer Valves O-Ring Kit | 106-4846 |
| Premium ATF (Drum)..... | 108-1185 |
| Premium ATF (Pail) | 108-1186 |
| Premium All Purpose Grease (Tube) | 108-1190 |
| Turret Seal Repair Kit | 108-3263 |
| Foam Marker Mounting Kit..... | 119-9366 |
| Premium Engine Oil 10w30 (55 Gal)..... | 121-6392 |
| Premium Engine Oil 10w30 (5 Gallon Pail) | 121-6393 |
| Tire | 330802 |
| Single Nozzle Kit..... | 41023 |
| Single Nozzle Kit..... | 41024 |
| Spray Gun Kit 9 (inc. 25ft Of 1/2in Hose) | 41133 |
| Electric Hose Reel Kit | 41135 |
| Pro Foam Concentrate (4 x 1 Gallon) | 41157 |
| Sonic Boom Kit | 41218 |
| Foam Marker Kit | 41236 |
| Roll-Over Protection System | 41361 |
| Drift Reduction Boom Shroud Kit | 41602 |
| Pro-Foam..... | 41607 |
| Spark Arrestor Screen | 94-8157 |

Notes:

Notes:

Notes:



Count on it.