



**Count on it.**

**Parts Catalog**

**Pro Force® Debris Blower**

Model No. 44538—Serial No. 313000001 and Up



# Ordering Replacement Parts

To order replacement parts, please supply the part number, the quantity, and the description of each part desired.

## Understanding Reference Numbers

Each identified part in an illustration has a reference number. The reference number for a part also appears in the parts list, along with other information about the part.

This catalog uses two special reference number formats, one to indicate parts in a service assembly and another to indicate the quantity of a given part in an illustration.

## Service Assembly Reference Numbers

Parts in service assemblies have reference numbers in the form a:b. The a represents the reference number of the entire service assembly and the b represents a sequential number unique to each part within the service assembly.

For example, a wheel assembly might be identified by reference number 6, the tire by 6:1, the valve by 6:2, and the wheel by 6:3. When you order the assembly identified by reference number 6, you receive all parts identified by reference numbers 6:1, 6:2, and 6:3. However, you may also order any part individually. Reference numbers of this type appear in illustration and in parts lists.

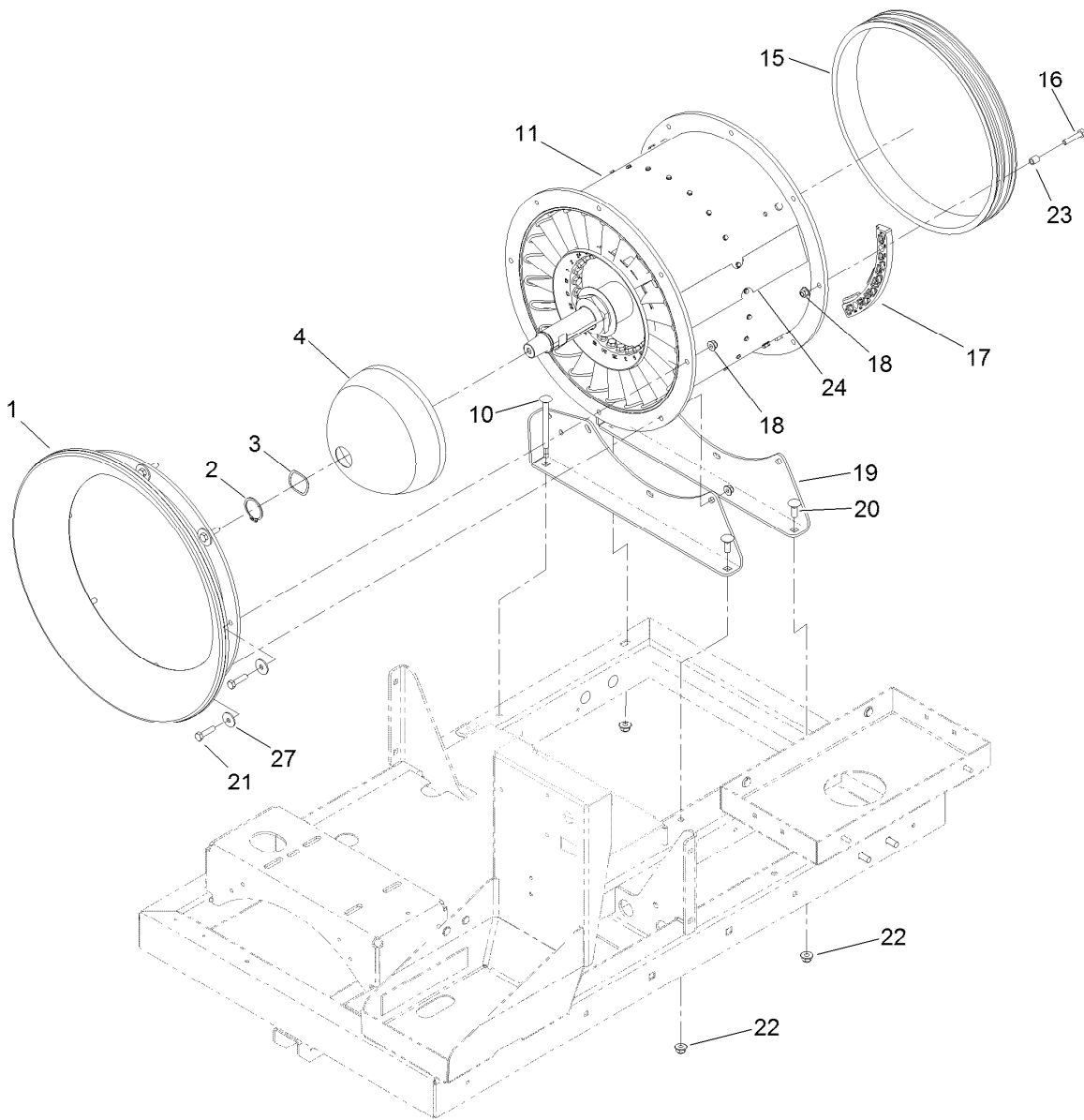
## Reference Numbers Indicating Quantity

In an illustration, if a reference number indicates more than one part, the reference number has the form nX y. The n represents the quantity of the part, the X is the multiplication symbol, and the y represents the reference number.

For example, in an illustration, the reference number 2X 37 means that two of the parts identified by reference number 37 are indicated.

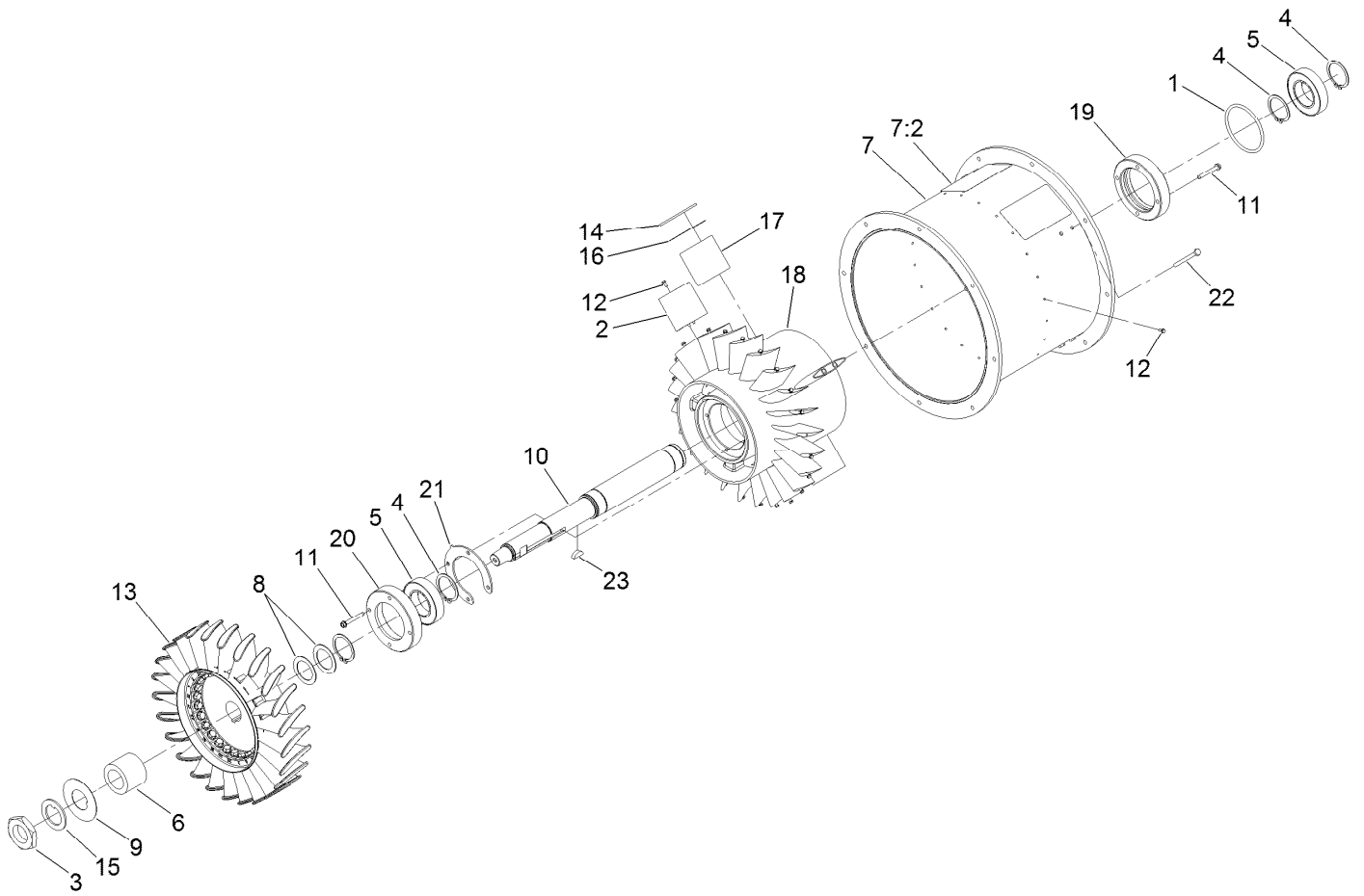
# Contents

Turbine Mounting Assembly .....	4
Turbine Assembly No. 125-4260 .....	5
Hitch, Trailer, Fuel Tank, Hub and Wheel Assembly .....	6
Hub and Axle Assembly No. 117-8255 .....	8
Fuel Tank Assembly No. 115-9048 .....	9
Nozzle, Belt and Guard Assembly .....	10
Battery and Drive Shaft Assembly .....	11
Engine and Muffler Assembly .....	12
Fuel Line Assembly .....	13
Electrical Assembly .....	14
Handheld Transmitter Assembly No. 121-2751 .....	15



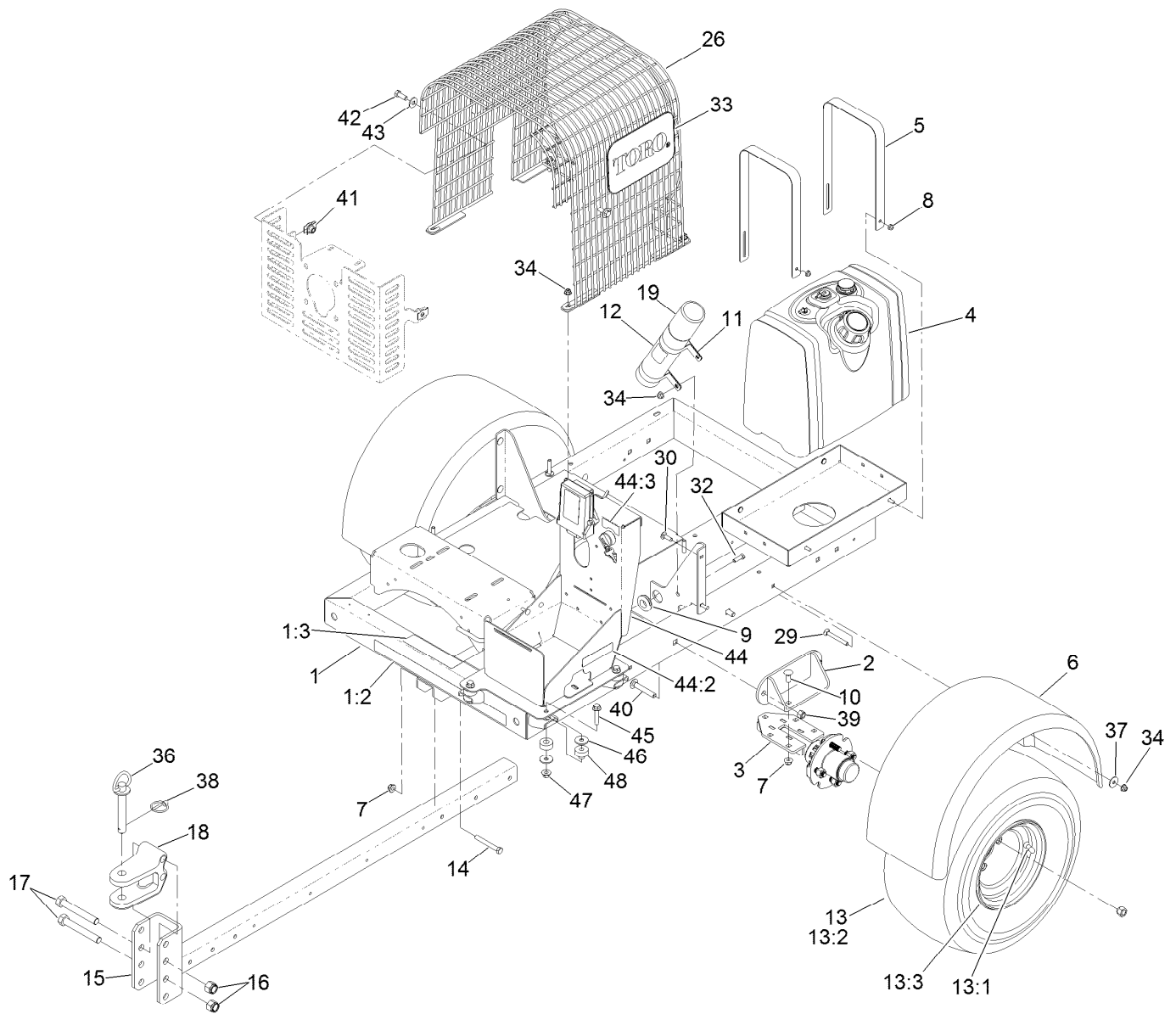
## Turbine Mounting Assembly

<i>Ref.</i>	<i>Part Number</i>	<i>Qty.</i>	<i>Description</i>	<i>Ref.</i>	<i>Part Number</i>	<i>Qty.</i>	<i>Description</i>
1	117-8329	1	Bell-Inlet	18	104-8300	16	Nut-HF, NI
2	112-1952	1	Ring-Snap, EXT	19	112-6851-01	2	Mount-Fan
3	93-4632	1	Washer-Wavey	20	3231-2	2	Bolt-CARR
4	117-8328	1	Cap-Front	21	322-6	8	Screw-HH
10	3231-24	2	Screw-CARR	22	104-8301	4	Nut-HF, NI
11	125-4260	1	Turbine ASM	23	93-6859	8	Spacer
15	112-1874	1	Pulley-Nozzle	24	115-5102	2	Decal
16	322-7	6	Screw-HH	27	5-4460	8	Washer-Pivot
17	114-9868	4	Guide-Nozzle				



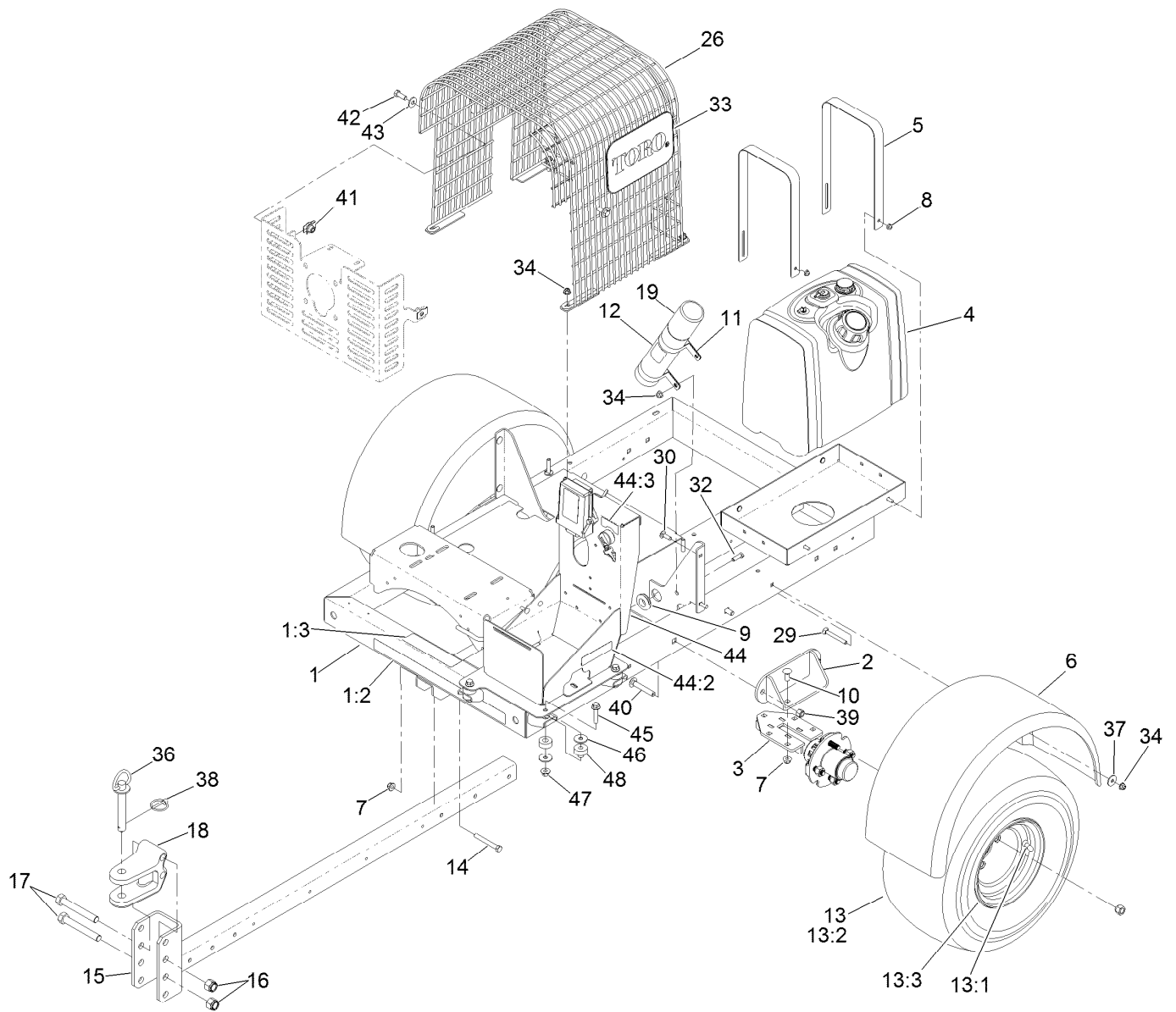
## Turbine Assembly No. 125-4260

<i>Ref.</i>	<i>Part Number</i>	<i>Qty.</i>	<i>Description</i>	<i>Ref.</i>	<i>Part Number</i>	<i>Qty.</i>	<i>Description</i>
1	92-9533	1	O-Ring	12	117-8303	24	Screw-HHF
2	112-1871	24	Vane-Stator	13	117-8356	1	Rotor
3	112-1899	1	Nut	14	117-8393	1	Spacer-Fin
4	112-1951	4	Ring-Snap, EXT	15	119-6202	1	Washer-Tab
5	112-6764	2	Bearing-Ball	16	119-6207	1	Spacer-Fin
6	114-2164	1	Spacer	17	119-6444	4	Mount-Fin
7	115-5128	1	Housing ASM	18	120-5920	1	Inner Housing
7:2	115-5106	2	Decal-Danger	19	120-6042	1	End-Oring
8	115-5131	2	Washer	20	120-6061	1	Bearing-Cap
9	115-9005	1	Washer-Tab	21	120-6063	1	End-Cap
10	115-9075	1	Shaft-Fan	22	321-19	8	Screw-HH
11	125-4287	8	Screw-HHF	23	3257-42	1	Key-Woodruff



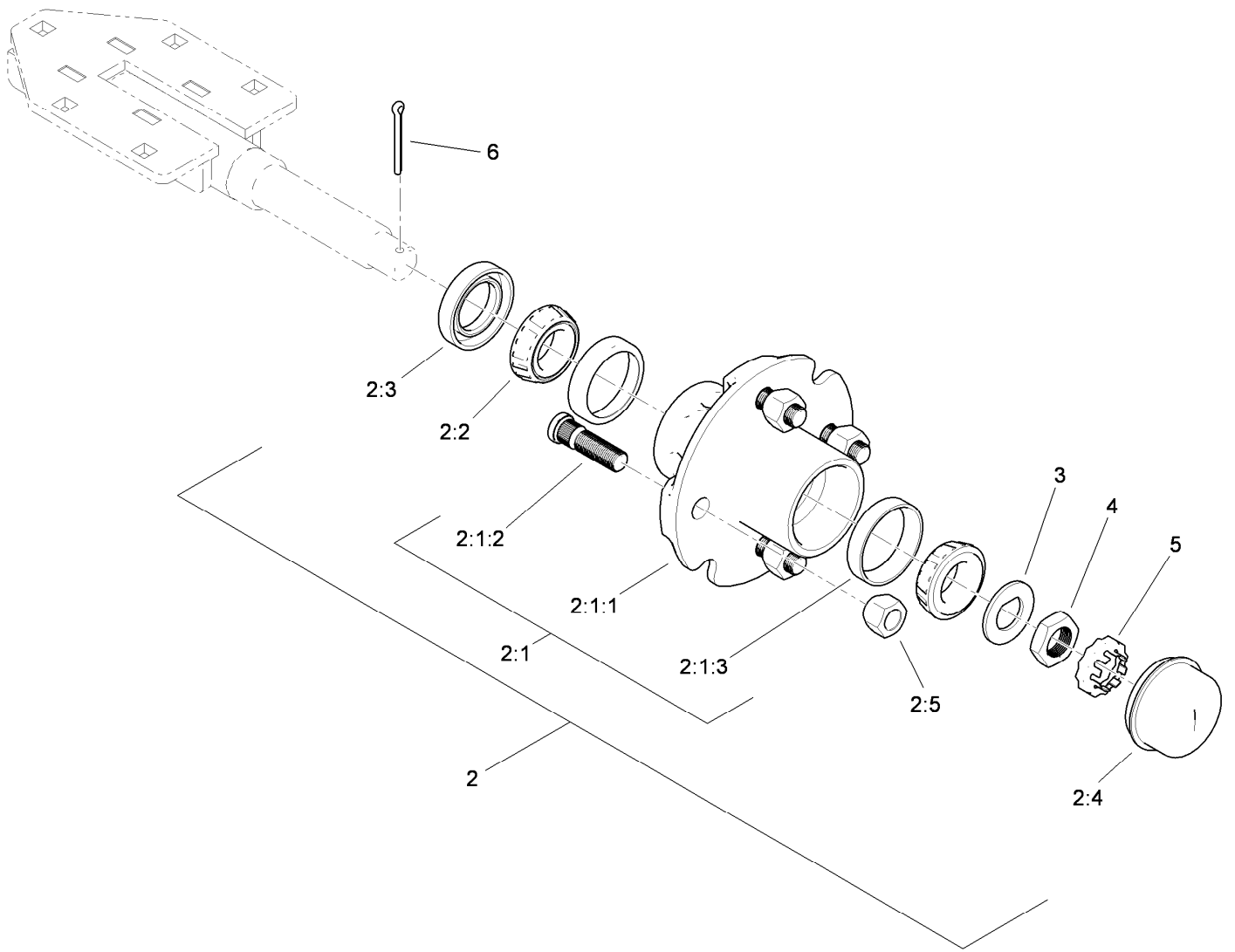
## Hitch, Trailer, Fuel Tank, Hub and Wheel Assembly

Ref.	Part Number	Qty.	Description	Ref.	Part Number	Qty.	Description
1	125-4261	1	Frame ASM	16	3296-53	2	Nut-Lock, NI
1:2	115-5105	1	Decal-Warning	17	327-23	2	Screw-HH
1:3	115-5113	1	Decal-Protection, Eye And Ear	18	47-3550-01	1	Clevis-Hitch
2	119-2958-01	2	Mount-Axle	19	104-7048	1	Cap-Housing
3	117-8255	2	Hub And Axle ASM	26	112-6876	1	Grill-Top
4	115-9048	1	Fuel Tank ASM	29	3230-9	4	Screw-CARR
5	119-6285	2	Strap-Hold Down, Tank	30	3230-2	4	Bolt-CARR
6	112-6852	2	Fender	32	322-5	2	Screw-HH
7	104-8301	8	Nut-HF, NI	33	92-1242	2	Decal
8	104-7201	4	Nut-HF	34	104-8300	12	Nut-HF, NI
9	1-543286	2	Grommet	36	13-6200	1	Pin-Hitch, Pointed
10	3231-2	6	Bolt-CARR	37	3256-82	8	Washer-Flat
11	2412-133	2	Clamp-R	38	92-1298	1	Pin-Lynch
12	104-7050	1	Tube-Manual	39	3296-48	4	Nut-Lock, NI
13	98-8691	2	Wheel ASM	40	3232-17	4	Screw-CARR
13:1	232-27	1	Stem-Valve	41	105-4886	2	Nut-Tinnerman
13:2	99-4506	1	Tire	42	323-6	2	Screw-HH
13:3	99-4507	1	Rim	43	80-6990	2	Washer-Hardened
14	323-14	2	Screw-HH	44	125-4262	1	Control Tower ASM
15	112-6942-01	1	Hitch	44:2	117-2718	1	Decal-Arrester, Spark
				44:3	119-6165	1	Decal-Ignition



## Hitch, Trailer, Fuel Tank, Hub and Wheel Assembly (continued)

<i>Ref.</i>	<i>Part Number</i>	<i>Qty.</i>	<i>Description</i>	<i>Ref.</i>	<i>Part Number</i>	<i>Qty.</i>	<i>Description</i>
45	3234-19	4	Screw-HHF	47	32128-19	4	Nut-HF
46	93-8806	8	Washer-Hardened	48	121-2870	4	Mount-2 Piece

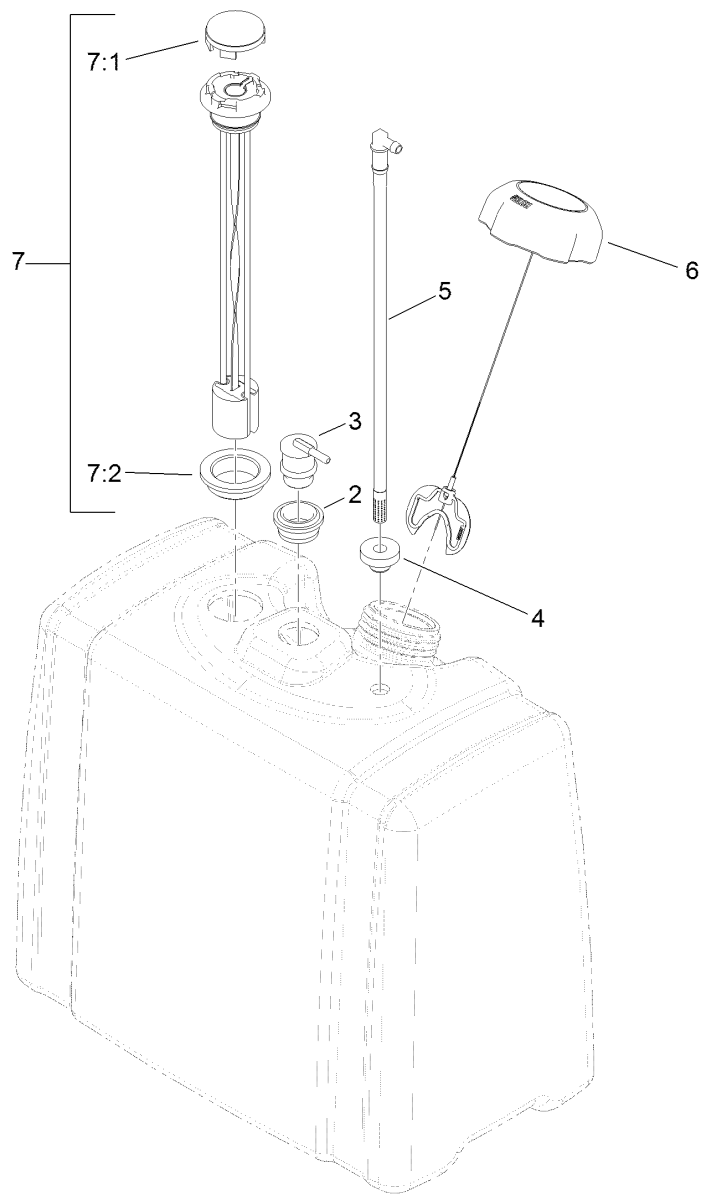


## Hub and Axle Assembly No. 117-8255

<i>Ref.</i>	<i>Part Number</i>	<i>Qty.</i>	<i>Description</i>
2	117-5115	2	Hub And Bearing ASM
2:1	117-8251	1	Hub ASM
2:1:1		1	Hub ●
2:1:2	114-3918	4	Stud-Wheel
2:1:3	254-72	2	Bearing-Cup, Tapered
2:2	254-94	2	Bearing-Cone, Tapered
2:3	112-1690	1	Seal-Oil
2:4	241-119	1	Cap-Dust
2:5	242-50	4	Nut-Lug
3	117-8259	1	Washer-Spindle
4	117-8260	1	Nut
5	93-0307	1	Nut-Lock, Retainer
6	3272-18	1	Pin-Cotter

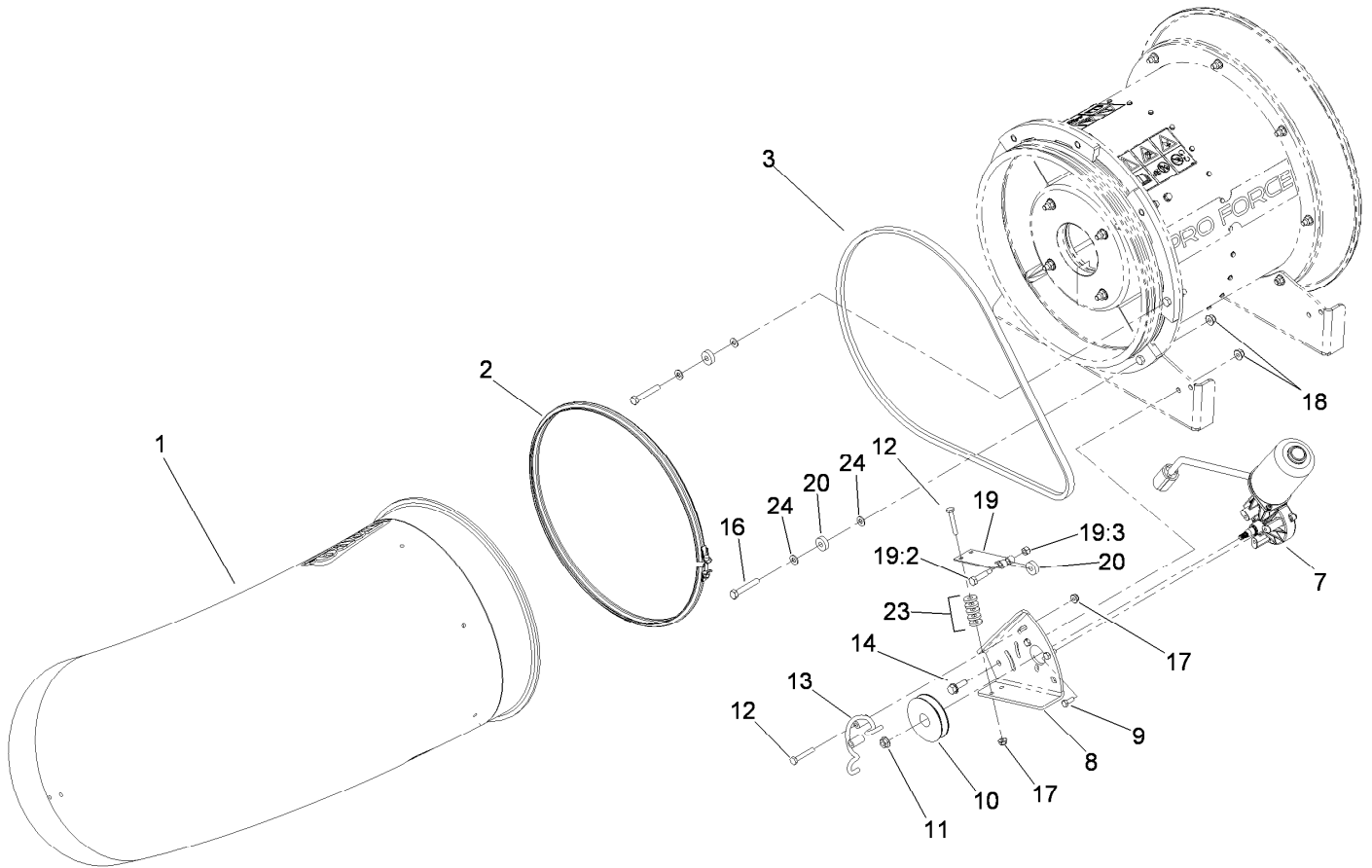
● Not serviced separately





## Fuel Tank Assembly No. 115-9048

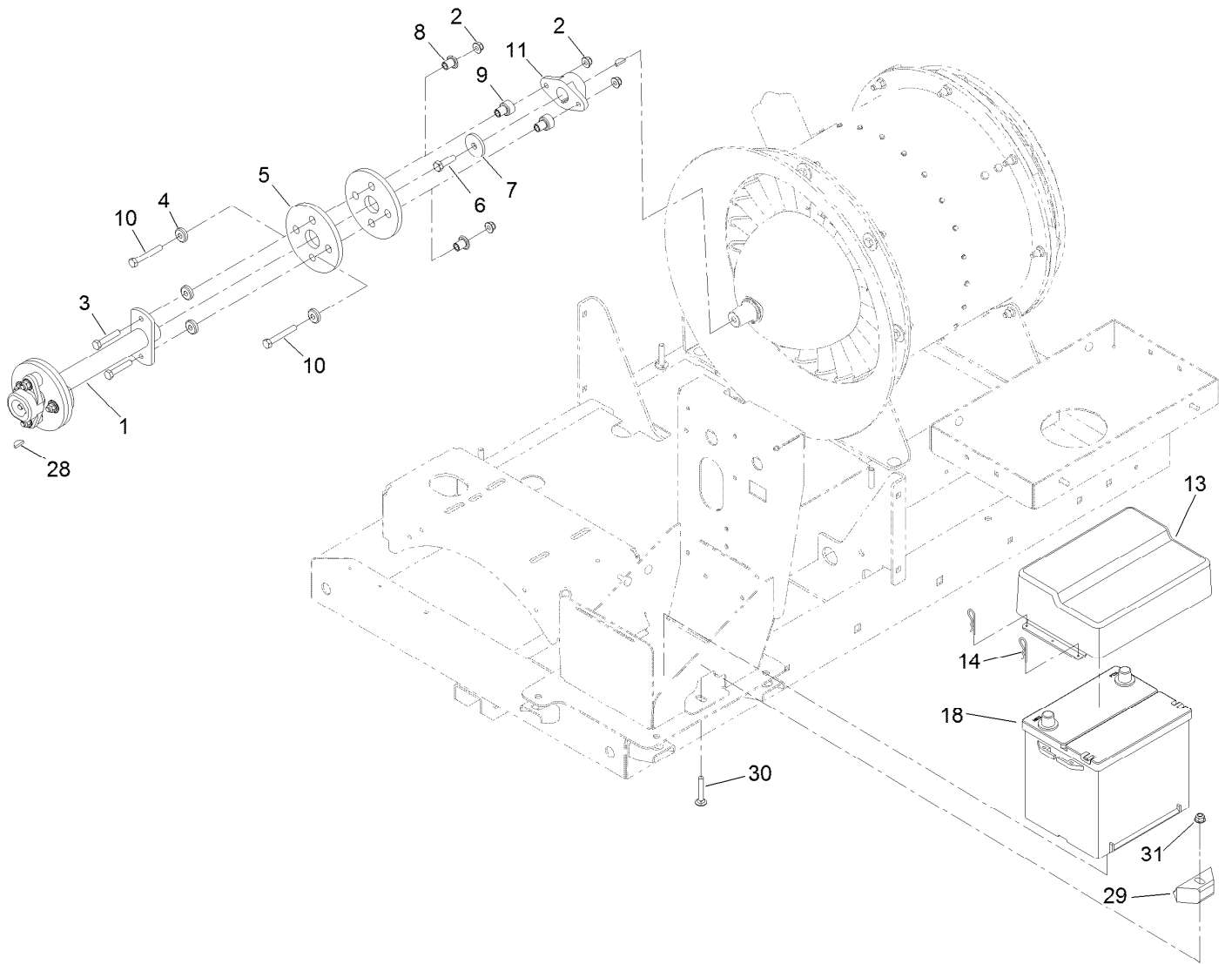
<i>Ref.</i>	<i>Part Number</i>	<i>Qty.</i>	<i>Description</i>
2	114-0284	1	Grommet
3	114-0285	1	Valve-Rollover
4	46-6560	1	Bushing
5	115-9044	1	Pipe-Stand
6	115-7788	1	Cap-Fuel
7	119-0509	1	Gauge ASM
7:1	117-8404	1	Dial-Gauge
7:2	119-0508	1	Seal



## Nozzle, Belt and Guard Assembly

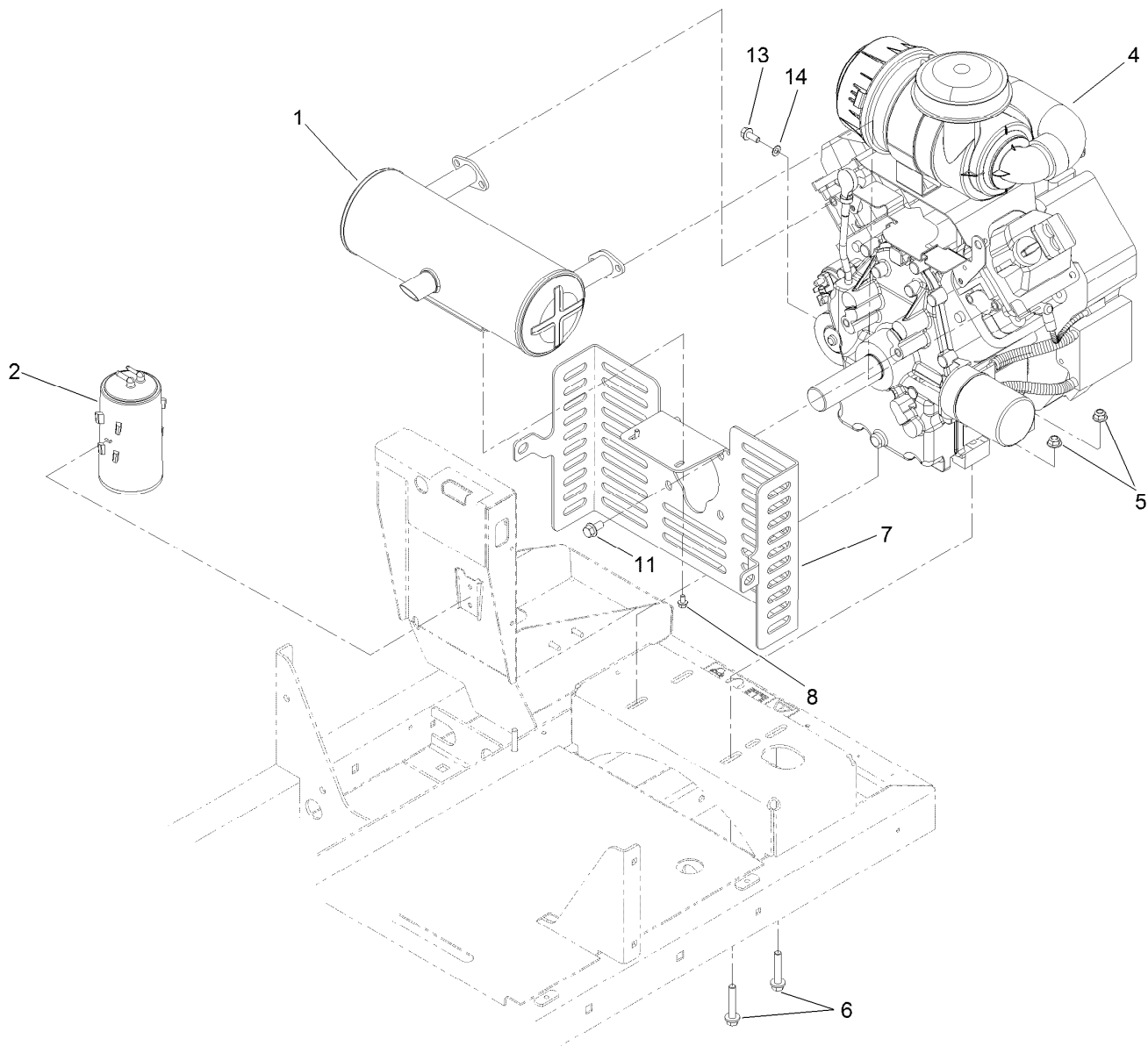
Ref.	Part Number	Qty.	Description
1	119-6287	1	Nozzle
2	112-6899	1	Clamp-Nozzle
3	112-1853	1	Belt-V
7	119-6340	1	Motor-Reversible
8	115-5149-01	1	Bracket-Motor
9	33113-016	3	Screw-HH
10	115-5147	1	Pulley
11	98-0668	1	Nut
12	321-37	4	Screw-HH
13	112-6924	1	Guard-Belt, Drive

Ref.	Part Number	Qty.	Description
14	3234-29	2	Screw-HHF
16	322-10	2	Screw-HH
17	104-7201	4	Nut-HF
18	104-8300	2	Nut-HF, NI
19	110-9650	1	Leaf Spring ASM
19:2	36-2250	1	Bolt-Shoulder
19:3	3296-42	1	Nut-Lock, NI
20	251-259	3	Bearing-Ball
23	88-7200	10	Washer-Flat
24	3256-74	4	Washer-Flat



## Battery and Drive Shaft Assembly

<i>Ref.</i>	<i>Part Number</i>	<i>Qty.</i>	<i>Description</i>	<i>Ref.</i>	<i>Part Number</i>	<i>Qty.</i>	<i>Description</i>
1	115-5124-03	1	Shaft-Drive	10	322-32	4	Screw-HH
2	104-8300	8	Nut-HF, NI	11	114-2122	2	Hub-Engine
3	322-39	4	Screw-HH	13	121-2871	1	Cover-Battery
4	115-5118	8	Washer	14	3290-467	2	Pin-Hair
5	115-5129	4	Coupling-Rubber	18	106-5187	1	Battery-Dry
6	323-7	2	Screw-HH	28	3257-5	2	Key-Woodruff
7	114-2120	2	Washer	29	66-2490	1	Retainer-Battery
8	115-5120	4	Spacer-Coupling, Rubber	30	3230-5	1	Screw-CARR
9	115-5119	4	Spacer-Coupling, Rubber	31	104-8300	1	Nut-HF, NI

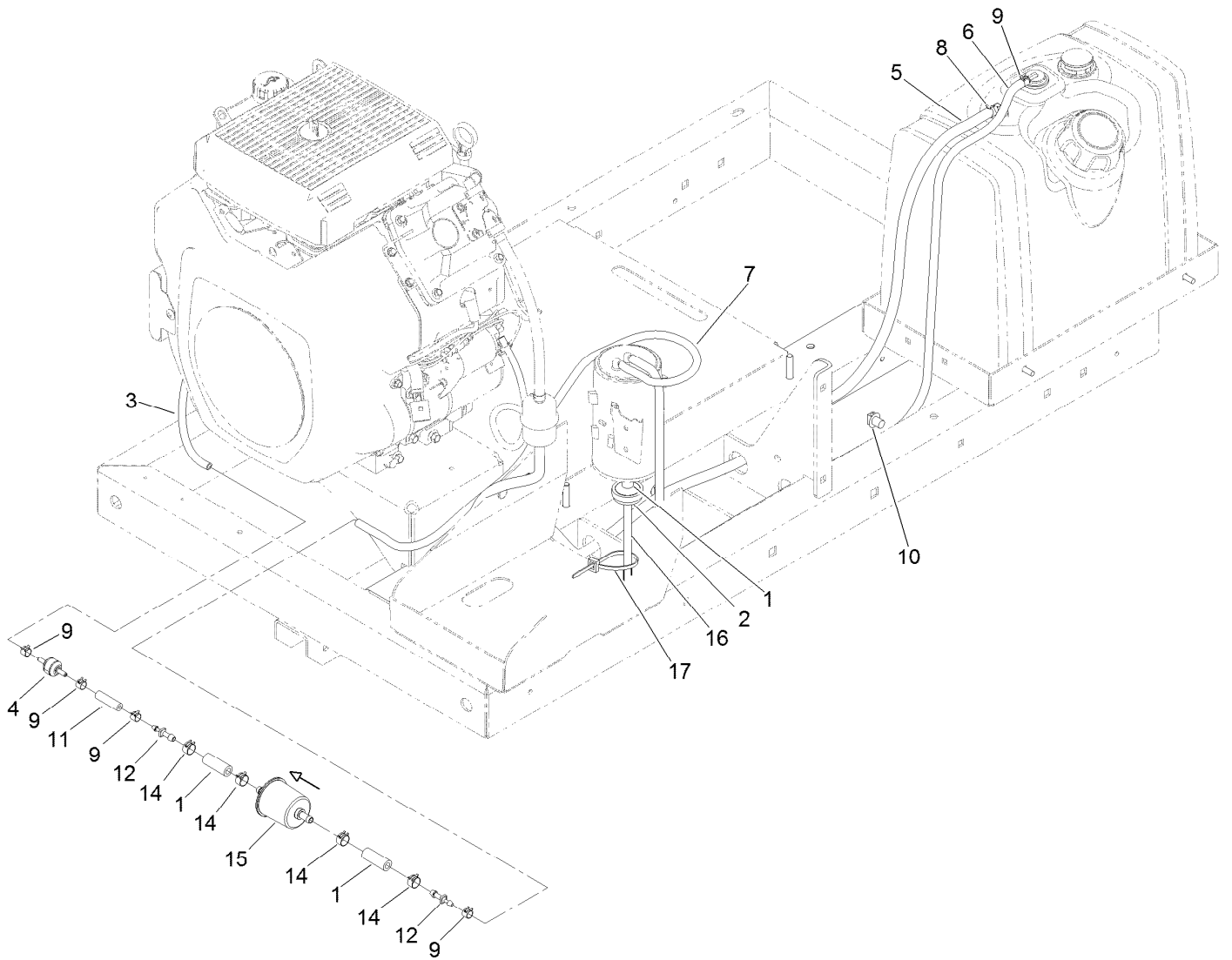


## Engine and Muffler Assembly

Ref.	Part Number	Qty.	Description
1	112-6862	1	Muffler
2	115-2251	1	Canister-Carbon
4		1	Engine-Kohler, Ch740-3137 ■▲
4:1	108-3847	1	Filter-Oil ●
5	104-8301	4	Nut-HF, NI
6	66-9302	4	Screw-HHF, Whiz
7	119-6171-03	1	Mount-Muffler
8	33103-012	2	Screw-HHF
11	110-1718	4	Screw-HHF
13	33104-020	1	Screw-HHF
14	3255-8	1	Washer-Lock

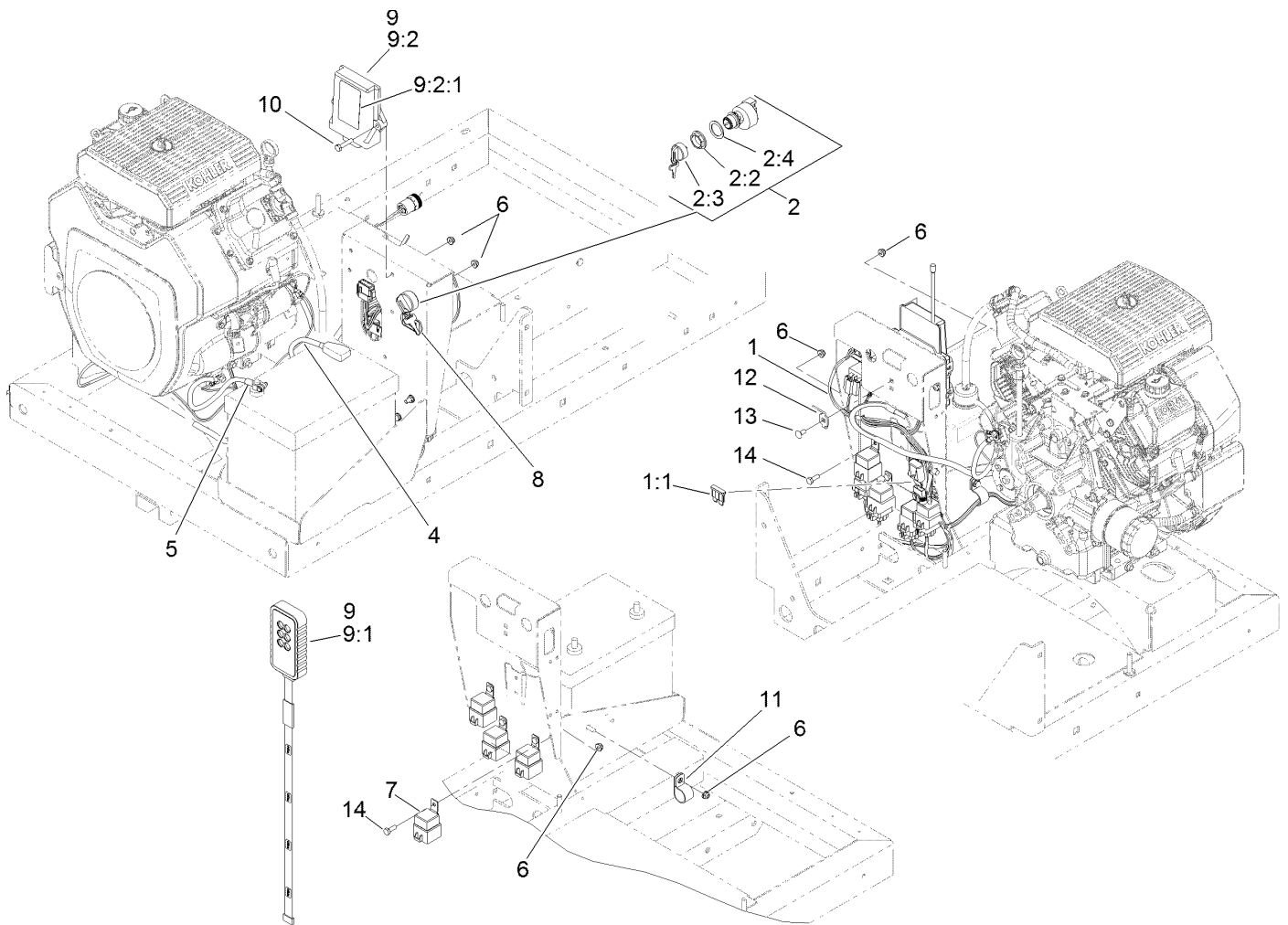
● Not illustrated  
▲ Obtain parts from [www.kohlerplus.com](http://www.kohlerplus.com)

■ Not serviced separately



## Fuel Line Assembly

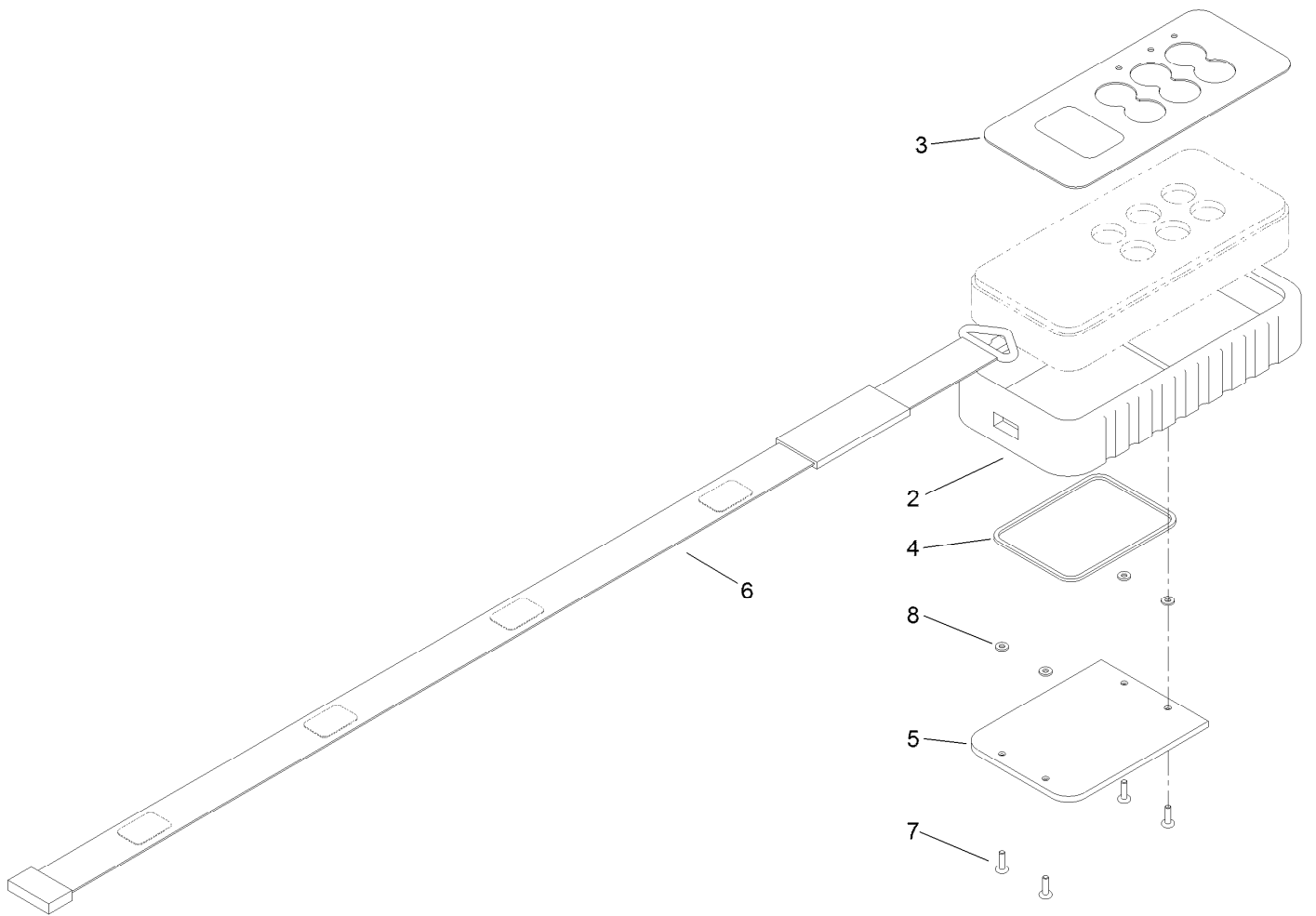
<i>Ref.</i>	<i>Part Number</i>	<i>Qty.</i>	<i>Description</i>	<i>Ref.</i>	<i>Part Number</i>	<i>Qty.</i>	<i>Description</i>
1	106-5317	3	Hose-Fuel	9	2412-80	5	Clamp-Hose
2	115-7854	1	Filter-Fuel, Inline	10	32180-030	6	Clip-Tie
3	119-8150	1	Hose-Fuel	11	119-8561	1	Hose-Fuel
4	115-7868	1	Valve-Check, Vacuum	12	106-8150	2	Fitting-Straight
5	107-9298	1	Hose-Fuel	14	92-2379	4	Clamp-Hose
6	119-6073	1	Hose-Fuel	15	120-2235	1	Filter-Fuel
7	110-3254	1	Hose-Fuel	16	110-4109	1	Hose-Fuel
8	2412-98	2	Clamp-Hose	17	3290-378	1	Tie-Cable



## Electrical Assembly

Ref.	Part Number	Qty.	Description	Ref.	Part Number	Qty.	Description
1	121-6564	1	Harness-Wire, Blower	9		1	Transmitter And Receiver ASM ●
1:1	109355	1	Fuse-Blade, 15 Amp	9:1	121-2751	1	Transmitter-Handheld
2	106-5269	1	Ignition Switch ASM	9:2	121-2752	1	Base-Receiver
2:2	108-8660	1	Nut-Mounting	9:2:1	121-2760	1	Decal-Base
2:3	106-5270	1	Ignition Key Set	10	321-8	2	Screw-HH
2:4	108-8659	1	Washer-Backup	11	2412-39	1	Clamp-R
4	125-5965	1	Cable-Battery, Positive	12	121-2761	1	Mount-Transmitter
5	125-5966	1	Cable-Battery, Negative	13	3229-11	1	Screw-CARR
6	104-7201	7	Nut-HF	14	321-4	4	Screw-HH
7	99-7430	4	Relay				
8	1-513374	1	Meter-Hour				

● Not serviced separately



## Handheld Transmitter Assembly No. 121-2751

<i>Ref.</i>	<i>Part Number</i>	<i>Qty.</i>	<i>Description</i>
2	121-2754	1	Case-Outer
3	121-2651	1	Decal-Remote
4	121-2755	1	Seal-Door
5	121-2756	1	Battery-Door
6	121-2758	1	Lanyard-Remote
7	121-2757	4	Screw-Door
8	121-2763	4	Washer-Retaining



**Count on it.**