



**Count on it.**

**Parts Catalog**

**Pro Force® Debris Blower**

Model No. 44552—Serial No. 315000001 and Up



# Ordering Replacement Parts

To order replacement parts, please supply the part number, the quantity, and the description of each part desired.

## Understanding Reference Numbers

Each identified part in an illustration has a reference number. The reference number for a part also appears in the parts list, along with other information about the part.

This catalog uses two special reference number formats, one to indicate parts in a service assembly and another to indicate the quantity of a given part in an illustration.

## Service Assembly Reference Numbers

Parts in service assemblies have reference numbers in the form a:b. The a represents the reference number of the entire service assembly and the b represents a sequential number unique to each part within the service assembly.

For example, a wheel assembly might be identified by reference number 6, the tire by 6:1, the valve by 6:2, and the wheel by 6:3. When you order the assembly identified by reference number 6, you receive all parts identified by reference numbers 6:1, 6:2, and 6:3. However, you may also order any part individually. Reference numbers of this type appear in illustration and in parts lists.

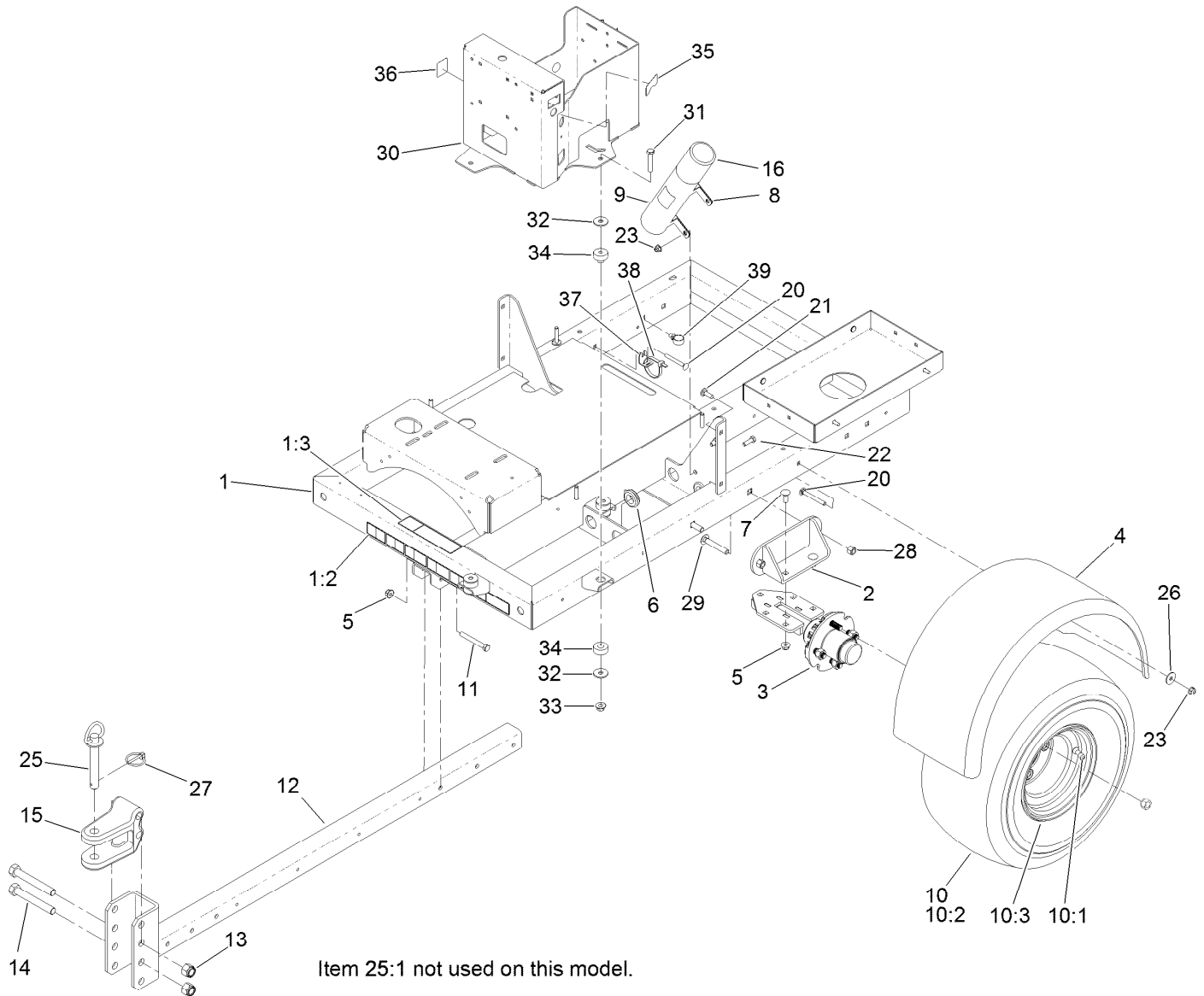
## Reference Numbers Indicating Quantity

In an illustration, if a reference number indicates more than one part, the reference number has the form nX y. The n represents the quantity of the part, the X is the multiplication symbol, and the y represents the reference number.

For example, in an illustration, the reference number 2X 37 means that two of the parts identified by reference number 37 are indicated.

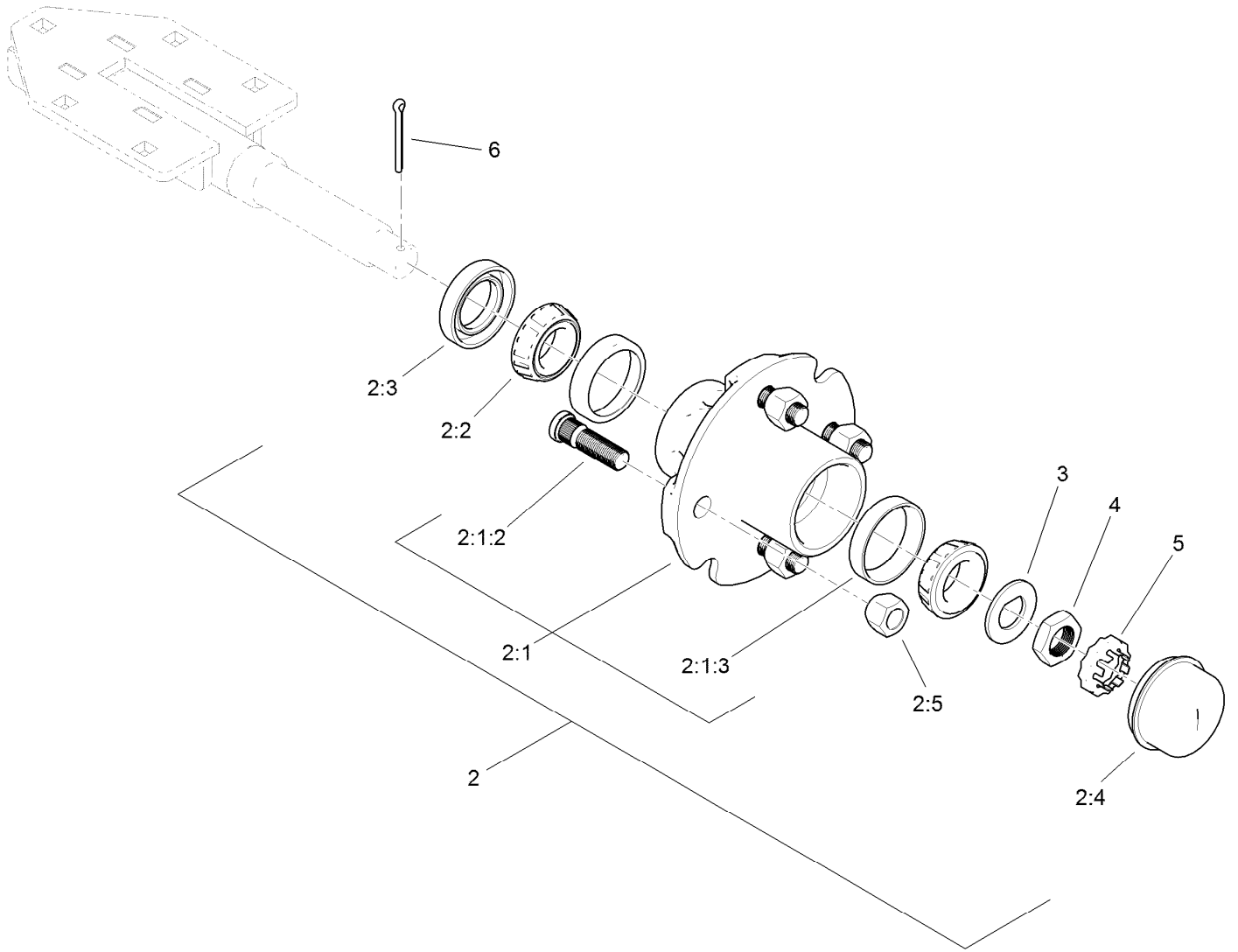
# Contents

|  |    |
|--|----|
| Frame, Wheel, Axle and Hitch Assembly .....  | 4  |
| Hub and Axle Assembly No. 117-8255 .....     | 5  |
| Turbine Mounting Assembly .....              | 6  |
| Turbine Assembly No. 125-4260 .....          | 7  |
| Nozzle Drive Assembly .....                  | 8  |
| Battery and Drive Shaft Assembly .....       | 9  |
| Engine, Muffler and Fuel Tank Assembly ..... | 10 |
| Fuel Tank Assembly No. 115-9048 .....        | 11 |
| Fuel Delivery Assembly .....                 | 12 |
| Electrical System Assembly .....             | 13 |
| Attachments and Accessories .....            | 14 |



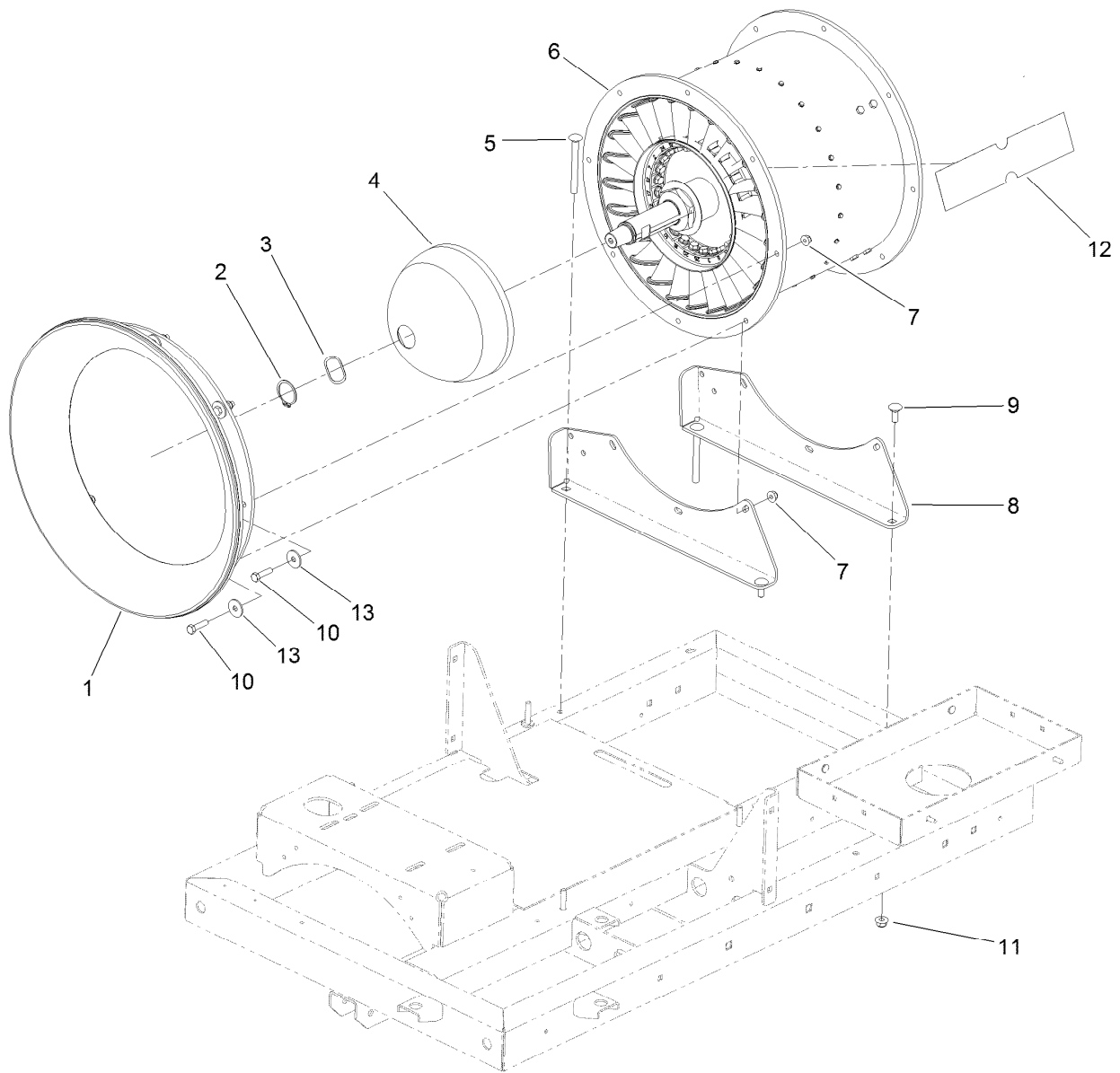
## Frame, Wheel, Axle and Hitch Assembly

| Ref. | Part Number | Qty. | Description                   | Ref. | Part Number | Qty. | Description                   |
|------|-------------|------|-------------------------------|------|-------------|------|-------------------------------|
| 1    | 130-8510    | 1    | Frame ASM                     | 20   | 3230-9      | 4    | Screw-CARR                    |
| 1:2  | 115-5105    | 1    | Decal-Warning                 | 21   | 3230-2      | 4    | Bolt-CARR                     |
| 1:3  | 115-5113    | 1    | Decal-Protection, Eye And Ear | 22   | 322-5       | 2    | Screw-HH                      |
| 2    | 119-2958-01 | 2    | Mount-Axle                    | 23   | 104-8300    | 10   | Nut-HF, NI                    |
| 3    | 117-8255    | 2    | Hub And Axle ASM              | 25   | 13-6200     | 1    | Pin-Hitch, Pointed            |
| 4    | 112-6852    | 2    | Fender                        | 25:1 | 3290-343    | 1    | Pin-Hair                      |
| 5    | 104-8301    | 8    | Nut-HF, NI                    | 26   | 3256-82     | 8    | Washer-Flat                   |
| 6    | 1-543286    | 2    | Grommet                       | 27   | 92-1298     | 1    | Pin-Lynch                     |
| 7    | 3231-2      | 6    | Bolt-CARR                     | 28   | 3296-48     | 4    | Nut-Lock, NI                  |
| 8    | 2412-133    | 2    | Clamp-R                       | 29   | 3232-17     | 4    | Screw-CARR                    |
| 9    | 104-7050    | 1    | Tube-Manual                   | 30   | 125-6055-01 | 1    | Tower-Control, Wa             |
| 10   | 98-8691     | 2    | Wheel ASM                     | 31   | 323-10      | 3    | Screw-HH                      |
| 10:1 | 232-27      | 1    | Stem-Valve                    | 32   | 93-8806     | 6    | Washer-Hardened               |
| 10:2 | 99-4506     | 1    | Tire                          | 33   | 32128-19    | 3    | Nut-HF                        |
| 10:3 | 99-4507     | 1    | Rim                           | 34   | 121-2870    | 3    | Mount-2 Piece                 |
| 11   | 323-14      | 2    | Screw-HH                      | 35   | 119-6165    | 1    | Decal-Ignition                |
| 12   | 112-6942-01 | 1    | Hitch                         | 36   | 131-6766    | 1    | Decal-Fuses                   |
| 13   | 3296-53     | 2    | Nut-Lock, NI                  | 37   | 131-6703    | 1    | Bracket-Hold Down, Electrical |
| 14   | 327-23      | 2    | Screw-HH                      | 38   | 3334-945    | 1    | Tie-Cable                     |
| 15   | 47-3550-01  | 1    | Clevis-Hitch                  | 39   | 32180-030   | 1    | Clip-Tie                      |
| 16   | 104-7048    | 1    | Cap-Housing                   |      |             |      |                               |



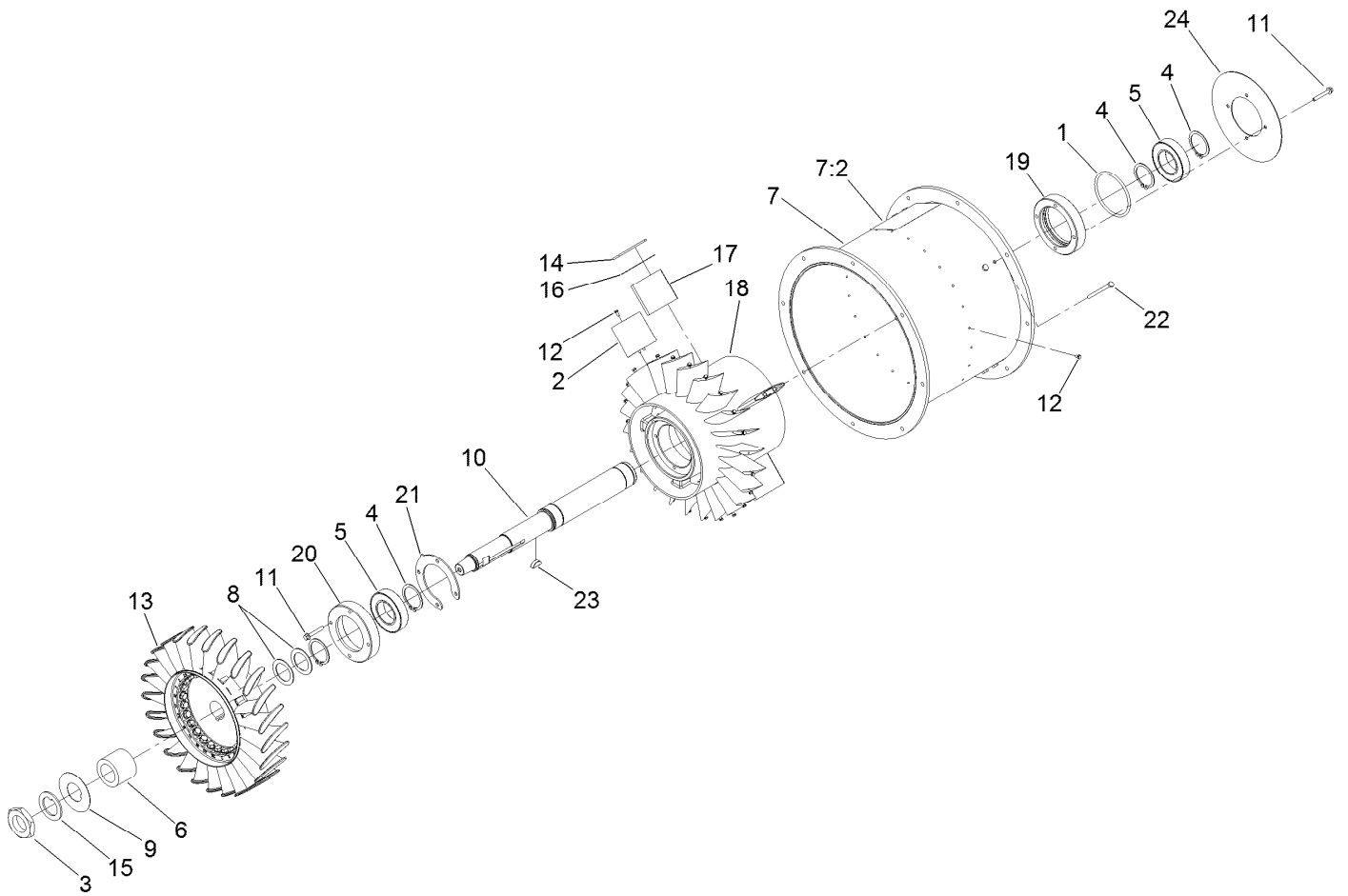
## Hub and Axle Assembly No. 117-8255

| Ref.  | Part Number | Qty. | Description           |
|-------|-------------|------|-----------------------|
| 2     | 117-5115    | 2    | Hub And Bearing ASM   |
| 2:1   | 117-8251    | 1    | Hub ASM               |
| 2:1:2 | 114-3918    | 4    | Stud-Wheel            |
| 2:1:3 | 254-72      | 2    | Bearing-Cup, Tapered  |
| 2:2   | 254-94      | 2    | Bearing-Cone, Tapered |
| 2:3   | 112-1690    | 1    | Seal-Oil              |
| 2:4   | 241-119     | 1    | Cap-Dust              |
| 2:5   | 242-50      | 4    | Nut-Lug               |
| 3     | 117-8259    | 1    | Washer-Spindle        |
| 4     | 117-8260    | 1    | Nut                   |
| 5     | 93-0307     | 1    | Nut-Lock, Retainer    |
| 6     | 3272-18     | 1    | Pin-Cotter            |



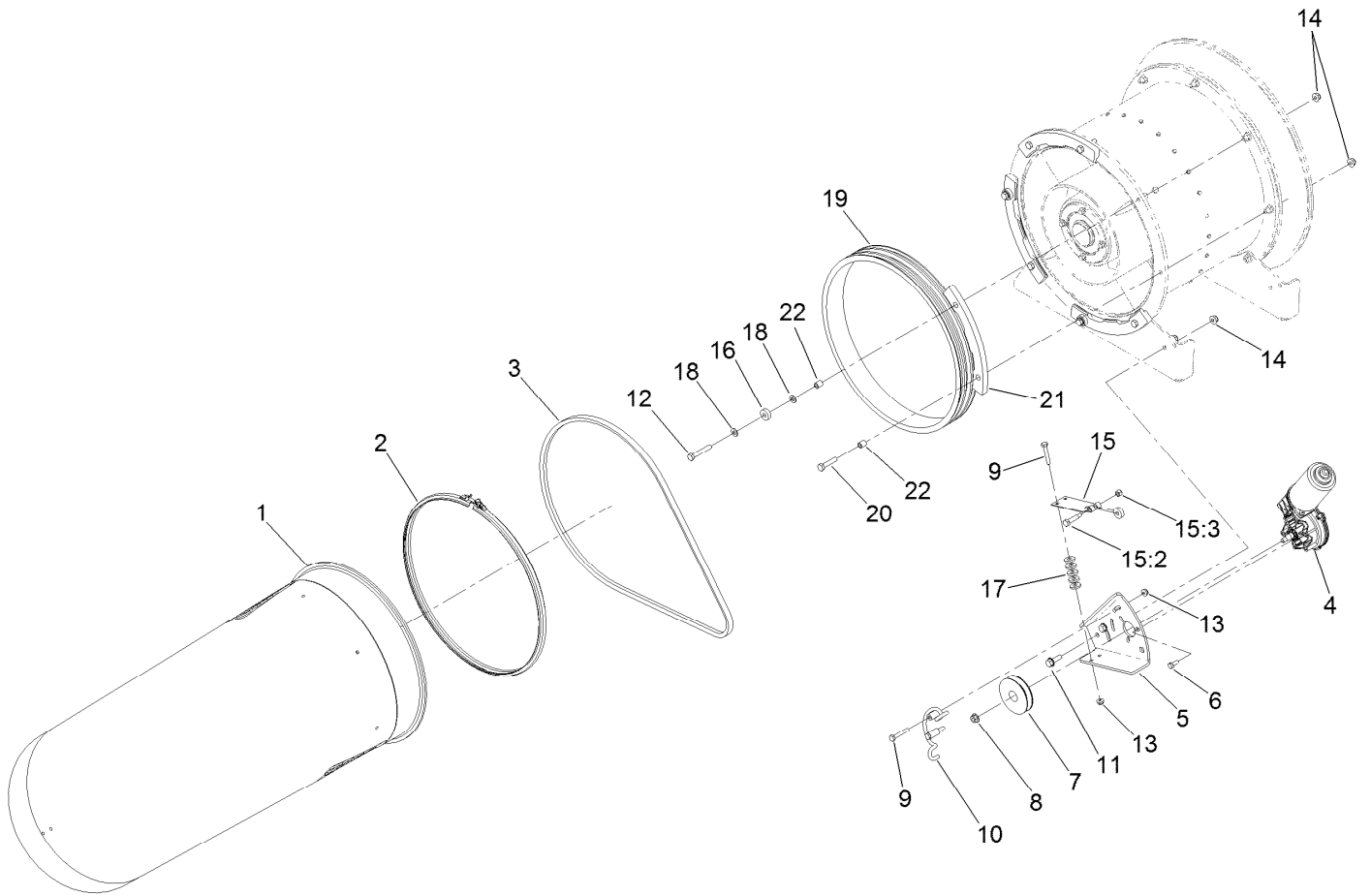
## Turbine Mounting Assembly

| <b>Ref.</b> | <b>Part Number</b> | <b>Qty.</b> | <b>Description</b> |
|-------------|--------------------|-------------|--------------------|
| 1           | 117-8329           | 1           | Bell-Inlet         |
| 2           | 112-1952           | 1           | Ring-Snap, EXT     |
| 3           | 93-4632            | 1           | Washer-Wavey       |
| 4           | 131-9440           | 1           | Cap-Front          |
| 5           | 3231-24            | 2           | Screw-CARR         |
| 6           | 125-4260           | 1           | Turbine ASM        |
| 7           | 104-8300           | 8           | Nut-HF, NI         |
| 8           | 112-6851-01        | 2           | Mount-Fan          |
| 9           | 3231-2             | 2           | Bolt-CARR          |
| 10          | 322-6              | 8           | Screw-HH           |
| 11          | 104-8301           | 4           | Nut-HF, NI         |
| 12          | 115-5102           | 2           | Decal              |
| 13          | 5-4460             | 8           | Washer-Pivot       |



## Turbine Assembly No. 125-4260

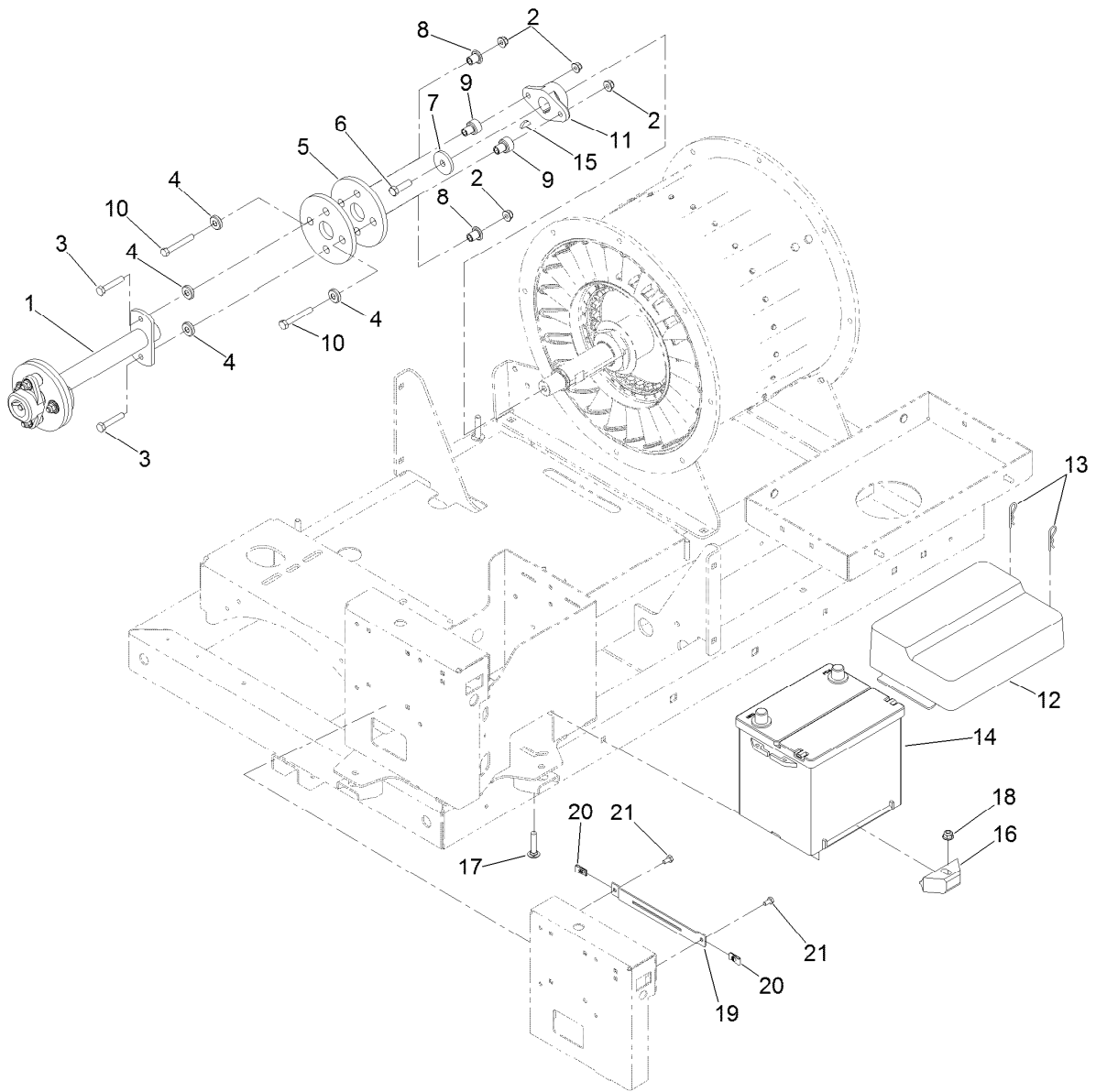
| <i>Ref.</i> | <i>Part Number</i> | <i>Qty.</i> | <i>Description</i> | <i>Ref.</i> | <i>Part Number</i> | <i>Qty.</i> | <i>Description</i> |
|-------------|--------------------|-------------|--------------------|-------------|--------------------|-------------|--------------------|
| 1           | 92-9533            | 1           | O-Ring             | 13          | 117-8356           | 1           | Rotor              |
| 2           | 112-1871           | 24          | Vane-Stator        | 14          | 117-8393           | 1           | Spacer-Fin         |
| 3           | 112-1899           | 1           | Nut                | 15          | 119-6202           | 1           | Washer-Tab         |
| 4           | 112-1951           | 4           | Ring-Snap, EXT     | 16          | 119-6207           | 1           | Spacer-Fin         |
| 5           | 112-6764           | 2           | Bearing-Ball       | 17          | 119-6444           | 4           | Mount-Fin          |
| 6           | 114-2164           | 1           | Spacer             | 18          | 120-5920           | 1           | Inner Housing      |
| 7           | 115-5128           | 1           | Housing ASM        | 19          | 120-6042           | 1           | End-Oring          |
| 7:2         | 115-5106           | 2           | Decal-Danger       | 20          | 120-6061           | 1           | Bearing-Cap        |
| 8           | 115-5131           | 2           | Washer             | 21          | 120-6063           | 1           | End-Cap            |
| 9           | 115-9005           | 1           | Washer-Tab         | 22          | 321-19             | 8           | Screw-HH           |
| 10          | 115-9075           | 1           | Shaft-Fan          | 23          | 3257-42            | 1           | Key-Woodruff       |
| 11          | 125-4287           | 8           | Screw-HHF          | 24          | 130-0871-03        | 1           | Plate-Center       |
| 12          | 117-8303           | 24          | Screw-HHF          |             |                    |             |                    |



## Nozzle Drive Assembly

| <i>Ref.</i> | <i>Part Number</i> | <i>Qty.</i> | <i>Description</i> | <i>Ref.</i> | <i>Part Number</i> | <i>Qty.</i> | <i>Description</i> |
|-------------|--------------------|-------------|--------------------|-------------|--------------------|-------------|--------------------|
| 1           | 119-6287           | 1           | Nozzle             | 13          | 104-7201           | 4           | Nut-HF             |
| 2           | 112-6899           | 1           | Clamp-Nozzle       | 14          | 104-8300           | 10          | Nut-HF, NI         |
| 3           | 112-1853           | 1           | Belt-V             | 15          | 110-9650           | 1           | Leaf Spring ASM    |
| 4           | 130-8551           | 1           | Motor-Reversible   | 15:2        | 36-2250            | 1           | Bolt-Shoulder      |
| 5           | 115-5149-01        | 1           | Bracket-Motor      | 15:3        | 3296-42            | 1           | Nut-Lock, NI       |
| 6           | 33113-016          | 3           | Screw-HH           | 16          | 251-259            | 3           | Bearing-Ball       |
| 7           | 115-5147           | 1           | Pulley             | 17          | 88-7200            | 10          | Washer-Flat        |
| 8           | 98-0668            | 1           | Nut                | 18          | 3256-74            | 4           | Washer-Flat        |
| 9           | 321-37             | 4           | Screw-HH           | 19          | 112-1874           | 1           | Pulley-Nozzle      |
| 10          | 112-6924           | 1           | Guard-Belt, Drive  | 20          | 322-7              | 6           | Screw-HH           |
| 11          | 3234-29            | 2           | Screw-HHF          | 21          | 114-9868           | 4           | Guide-Nozzle       |
| 12          | 322-10             | 2           | Screw-HH           | 22          | 93-6859            | 8           | Spacer             |

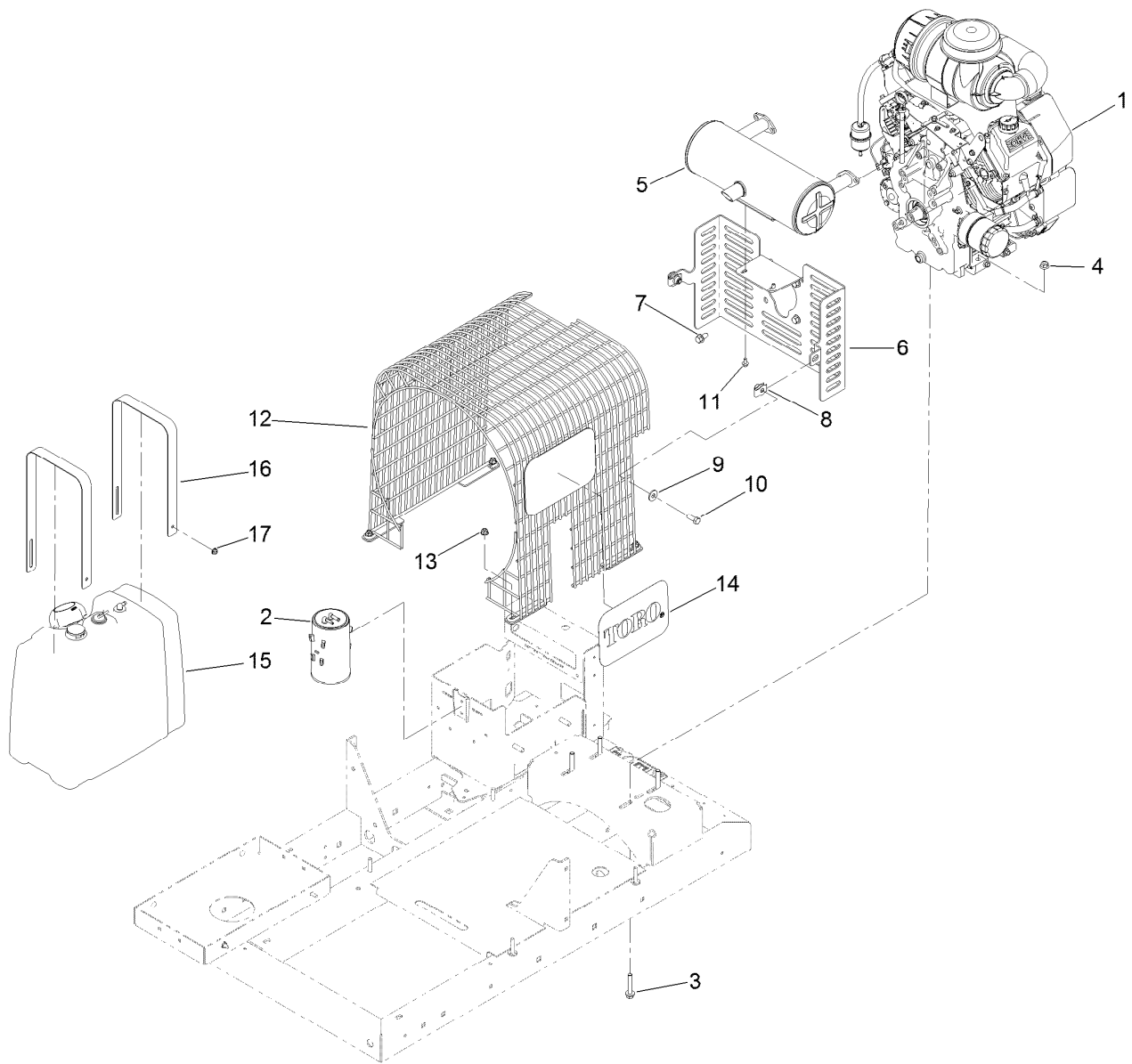




## Battery and Drive Shaft Assembly

| Ref. | Part Number | Qty. | Description             |
|------|-------------|------|-------------------------|
| 1    | 115-5124-03 | 1    | Shaft-Drive             |
| 2    | 104-8300    | 8    | Nut-HF, NI              |
| 3    | 322-39      | 4    | Screw-HH                |
| 4    | 131-6761    | 8    | Washer                  |
| 5    | 115-5129    | 4    | Coupling-Rubber         |
| 6    | 323-7       | 2    | Screw-HH                |
| 7    | 114-2120    | 2    | Washer                  |
| 8    | 131-6763    | 4    | Spacer-Coupling, Rubber |
| 9    | 131-6762    | 4    | Spacer-Coupling, Rubber |
| 10   | 322-32      | 4    | Screw-HH                |
| 11   | 114-2122    | 2    | Hub-Engine              |

| Ref. | Part Number | Qty. | Description      |
|------|-------------|------|------------------|
| 12   | 130-8569    | 1    | Cover-Battery    |
| 13   | 3290-467    | 2    | Pin-Hair         |
| 14   | 106-5187    | 1    | Battery-Dry      |
| 15   | 3257-5      | 2    | Key-Woodruff     |
| 16   | 66-2490     | 1    | Retainer-Battery |
| 17   | 3231-5      | 1    | Screw-CARR       |
| 18   | 104-8301    | 1    | Nut-HF, NI       |
| 19   | 130-0932-01 | 1    | Bracket-Cover    |
| 20   | 3290-199    | 2    | Nut-Speed        |
| 21   | 321-2       | 2    | Screw-HH         |



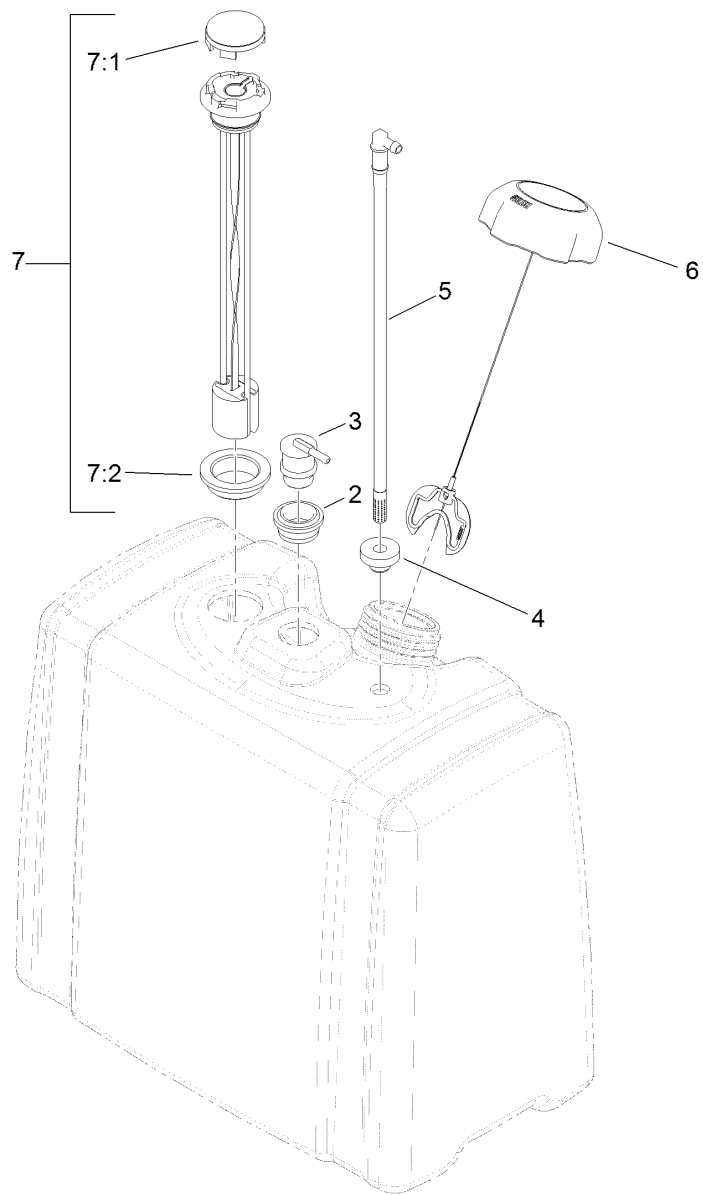
## Engine, Muffler and Fuel Tank Assembly

| Ref. | Part Number | Qty. | Description                     |
|------|-------------|------|---------------------------------|
| 1    |             | 1    | Engine-Kohler, Ch740-3331<br>■▲ |
| 1:1  | 108-3847    | 1    | Filter-Oil ●                    |
| 2    | 115-2251    | 1    | Canister-Carbon                 |
| 3    | 66-9302     | 4    | Screw-HHF, Whiz                 |
| 4    | 104-8301    | 4    | Nut-HF, NI                      |
| 5    | 112-6862    | 1    | Muffler                         |
| 6    | 119-6171-03 | 1    | Mount-Muffler                   |
| 7    | 110-1718    | 4    | Screw-HHF                       |
| 8    | 105-4886    | 2    | Nut-Tinnerman                   |

| Ref. | Part Number | Qty. | Description           |
|------|-------------|------|-----------------------|
| 9    | 80-6990     | 2    | Washer-Hardened       |
| 10   | 323-6       | 2    | Screw-HH              |
| 11   | 33103-012   | 2    | Screw-HHF             |
| 12   | 112-6876    | 1    | Grill-Top             |
| 13   | 104-8300    | 4    | Nut-HF, NI            |
| 14   | 92-1242     | 2    | Decal                 |
| 15   | 115-9048    | 1    | Fuel Tank ASM         |
| 16   | 119-6285    | 2    | Strap-Hold Down, Tank |
| 17   | 104-7201    | 4    | Nut-HF                |

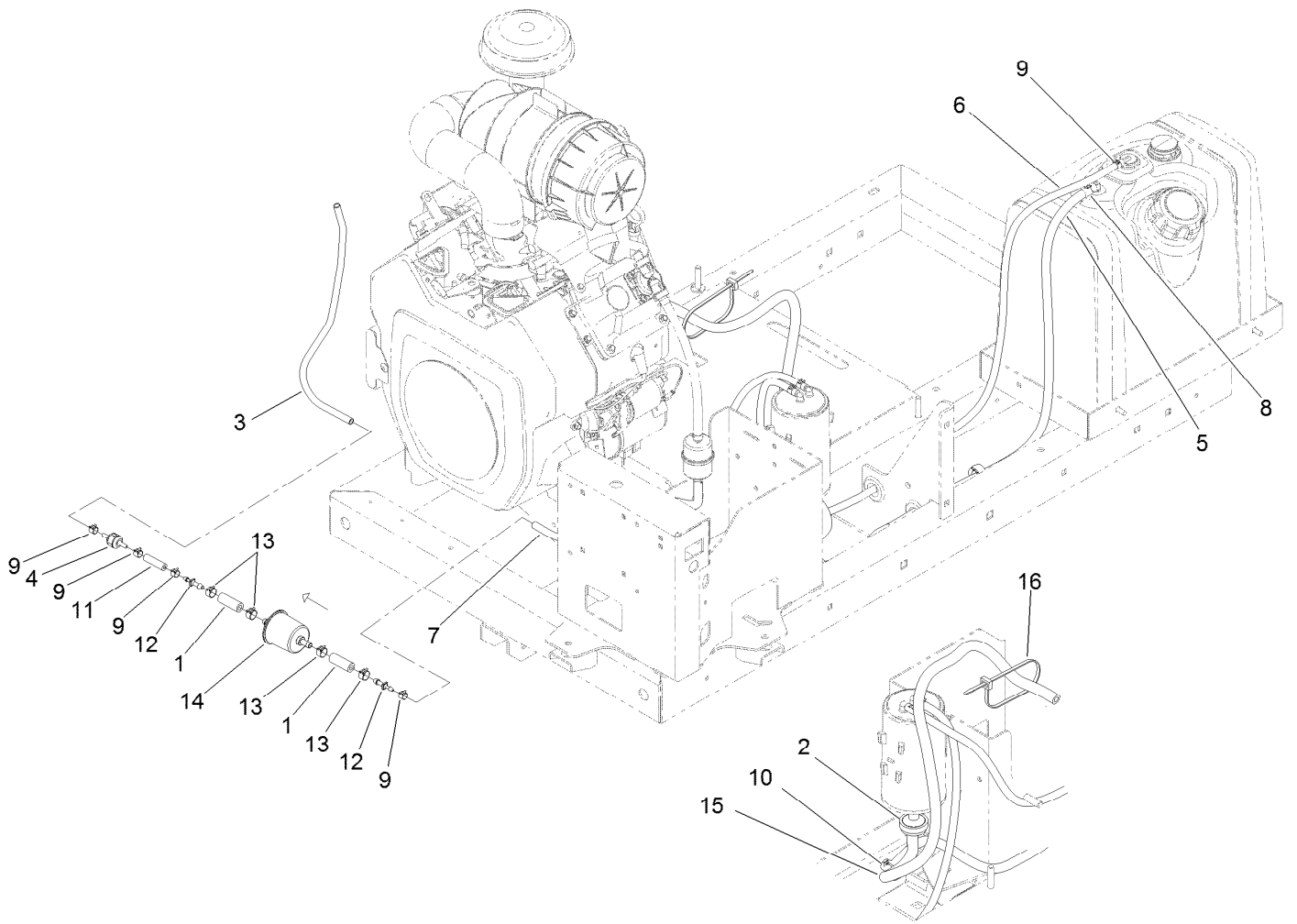
● Not illustrated  
▲ Obtain parts from [www.kohlerplus.com](http://www.kohlerplus.com)

■ Not serviced separately



## Fuel Tank Assembly No. 115-9048

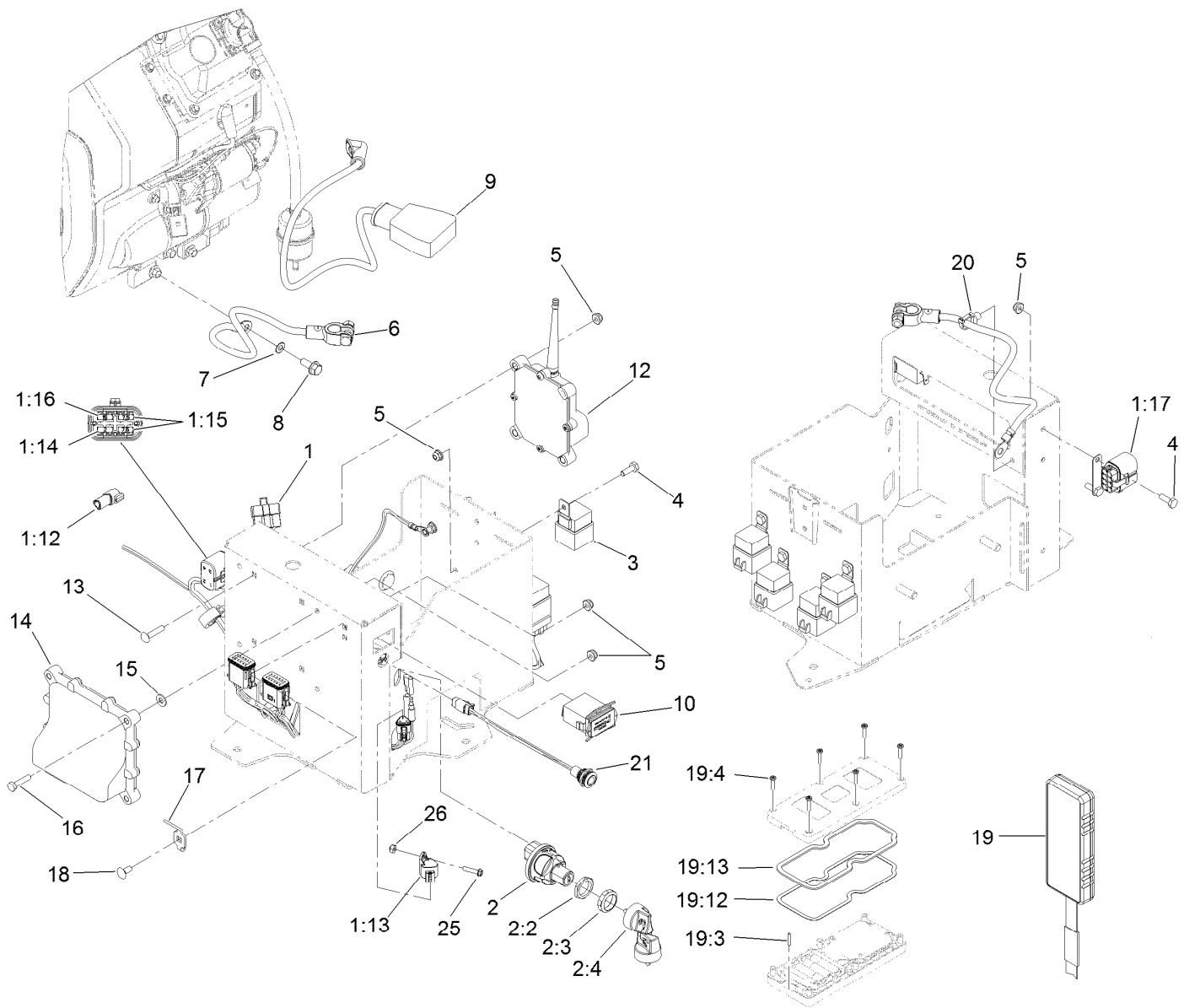
| <i>Ref.</i> | <i>Part Number</i> | <i>Qty.</i> | <i>Description</i> |
|-------------|--------------------|-------------|--------------------|
| 2           | 114-0284           | 1           | Grommet            |
| 3           | 114-0285           | 1           | Valve-Rollover     |
| 4           | 46-6560            | 1           | Bushing            |
| 5           | 115-9044           | 1           | Pipe-Stand         |
| 6           | 115-7788           | 1           | Cap-Fuel           |
| 7           | 119-0509           | 1           | Gauge ASM          |
| 7:1         | 117-8404           | 1           | Dial-Gauge         |
| 7:2         | 119-0508           | 1           | Seal               |



## Fuel Delivery Assembly

| Ref. | Part Number | Qty. | Description         |
|------|-------------|------|---------------------|
| 1    | 106-5317    | 3    | Hose-Fuel           |
| 2    | 115-7854    | 1    | Filter-Fuel, Inline |
| 3    | 119-8150    | 1    | Hose-Fuel           |
| 4    | 115-7868    | 1    | Valve-Check, Vacuum |
| 5    | 107-9298    | 1    | Hose-Fuel           |
| 6    | 119-6073    | 1    | Hose-Fuel           |
| 7    | 110-3254    | 1    | Hose-Fuel           |
| 8    | 2412-98     | 2    | Clamp-Hose          |

| Ref. | Part Number | Qty. | Description      |
|------|-------------|------|------------------|
| 9    | 2412-80     | 5    | Clamp-Hose       |
| 10   | 32180-030   | 6    | Clip-Tie         |
| 11   | 119-8561    | 1    | Hose-Fuel        |
| 12   | 106-8150    | 2    | Fitting-Straight |
| 13   | 92-2379     | 4    | Clamp-Hose       |
| 14   | 120-2235    | 1    | Filter-Fuel      |
| 15   | 110-4109    | 1    | Hose-Fuel        |
| 16   | 3290-378    | 1    | Tie-Cable        |



## Electrical System Assembly

| Ref. | Part Number | Qty. | Description              | Ref.  | Part Number | Qty. | Description                |
|------|-------------|------|--------------------------|-------|-------------|------|----------------------------|
| 1    | 122-0220    | 1    | Harness-Wire, Blower     | 10    | 1-513374    | 1    | Meter-Hour                 |
| 1:12 | 32180-043   | 2    | Resistor-120 Ohm         | 12    | 125-1230    | 1    | Controller                 |
| 1:13 | 32180-089   | 1    | Cap-Plug, 3 Way          | 13    | 3229-3      | 4    | Screw-CARR                 |
| 1:14 | 121-8861    | 1    | Fuse-Mini Blade, 2 Amp   | 14    | 125-1360    | 1    | Controller                 |
| 1:15 | 121-8865    | 2    | Fuse-Mini Blade, 7.5 Amp | 15    | 3256-22     | 4    | Washer-Flat                |
| 1:16 | 121-8867    | 1    | Fuse-Mini Blade, 15 Amp  | 16    | 321-8       | 4    | Screw-HH                   |
| 1:17 | 32180-179   | 1    | Cover-Bussman            | 17    | 121-2761    | 1    | Mount-Transmitter          |
| 2    | 121-5159    | 1    | Ignition Switch ASM      | 18    | 3229-11     | 1    | Screw-CARR                 |
| 2:2  | 121-5160    | 1    | Nut-Hex                  | 19    | 125-1270    | 1    | Remote ASM                 |
| 2:3  | 121-5161    | 1    | Nut-Face                 | 19:3  | 121-2906    | 1    | Pin-Lanyard                |
| 2:4  | 121-5162    | 1    | Ignition Key Set         | 19:4  | 121-2908    | 6    | Screw-PPH                  |
| 3    | 99-7430     | 4    | Relay                    | 19:12 | 125-1294    | 1    | Backer-Gasket              |
| 4    | 321-4       | 6    | Screw-HH                 | 19:13 | 125-1295    | 1    | Gasket (HH-Small)          |
| 5    | 104-7201    | 15   | Nut-HF                   | 20    | 32180-030   | 1    | Clip-Tie                   |
| 6    | 125-5966    | 1    | Cable-Battery, Negative  | 21    | 122-0630    | 1    | Red LED Indicator Lamp ASM |
| 7    | 3255-8      | 1    | Washer-Lock              |       |             |      |                            |
| 8    | 33104-020   | 1    | Screw-HHF                | 25    | 106-9169    | 1    | Screw-HWH                  |
| 9    | 122-0629    | 1    | Cable-Battery, Positive  | 26    | 3296-2      | 1    | Nut-Lock, NI               |

# Attachments and Accessories

## For 44552 Pro Force Debris Blower

| Product Name                 | Model/Part |
|------------------------------|------------|
| Tapered Nozzle Kit.....      | 119-6280   |
| Rectangular Nozzle Kit ..... | 119-6281   |

**Notes:**



**Count on it.**