



Count on it.

Parts Catalog

Pro Force® Debris Blower

Model No. 44553—Serial No. 315000001 and Up



Ordering Replacement Parts

To order replacement parts, please supply the part number, the quantity, and the description of each part desired.

Understanding Reference Numbers

Each identified part in an illustration has a reference number. The reference number for a part also appears in the parts list, along with other information about the part.

This catalog uses two special reference number formats, one to indicate parts in a service assembly and another to indicate the quantity of a given part in an illustration.

Service Assembly Reference Numbers

Parts in service assemblies have reference numbers in the form a:b. The a represents the reference number of the entire service assembly and the b represents a sequential number unique to each part within the service assembly.

For example, a wheel assembly might be identified by reference number 6, the tire by 6:1, the valve by 6:2, and the wheel by 6:3. When you order the assembly identified by reference number 6, you receive all parts identified by reference numbers 6:1, 6:2, and 6:3. However, you may also order any part individually. Reference numbers of this type appear in illustration and in parts lists.

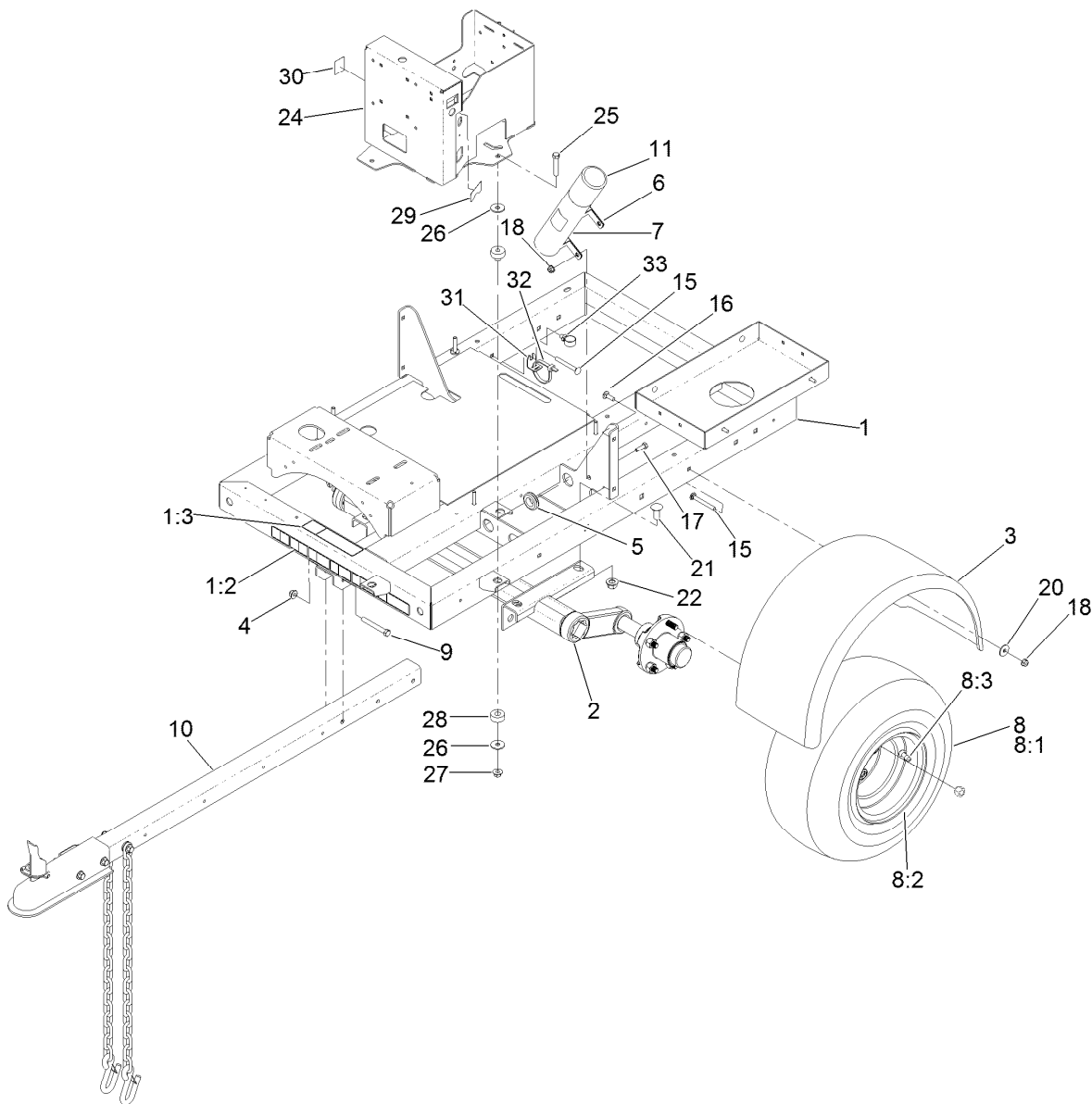
Reference Numbers Indicating Quantity

In an illustration, if a reference number indicates more than one part, the reference number has the form nX y. The n represents the quantity of the part, the X is the multiplication symbol, and the y represents the reference number.

For example, in an illustration, the reference number 2X 37 means that two of the parts identified by reference number 37 are indicated.

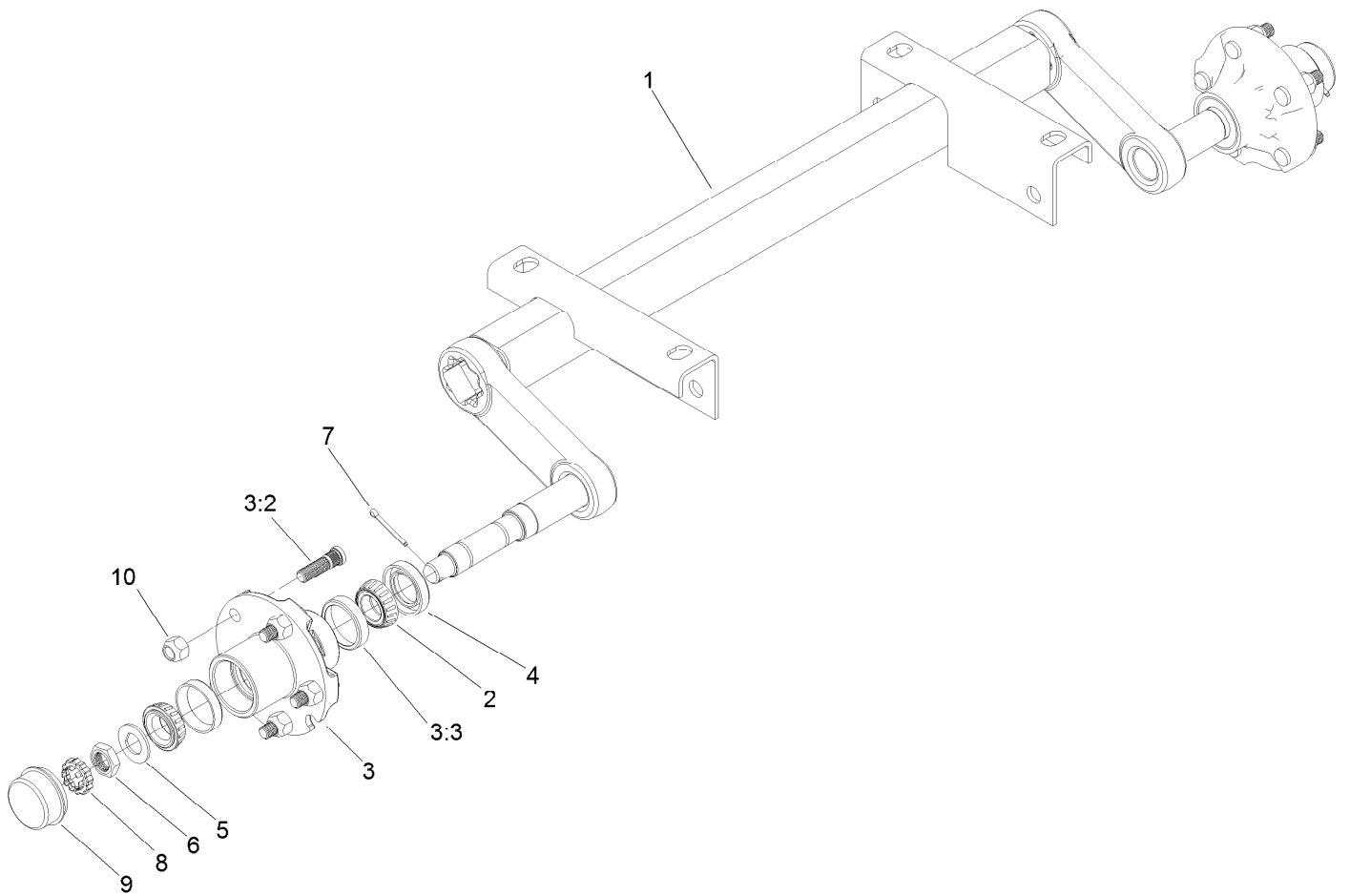
Contents

Frame Assembly.....	4
Axle Assembly No. 119-2966.....	5
Hitch Assembly No. 119-3005.....	6
Turbine Mounting Assembly.....	7
Turbine Assembly No. 125-4260.....	8
Nozzle Drive Assembly.....	9
Battery and Drive Shaft Assembly.....	10
Engine, Muffler and Fuel Tank Assembly.....	11
Fuel Tank Assembly No. 115-9048.....	12
Fuel Delivery Assembly.....	13
Electrical System Assembly.....	14
Tail Light Assembly.....	15



Frame Assembly

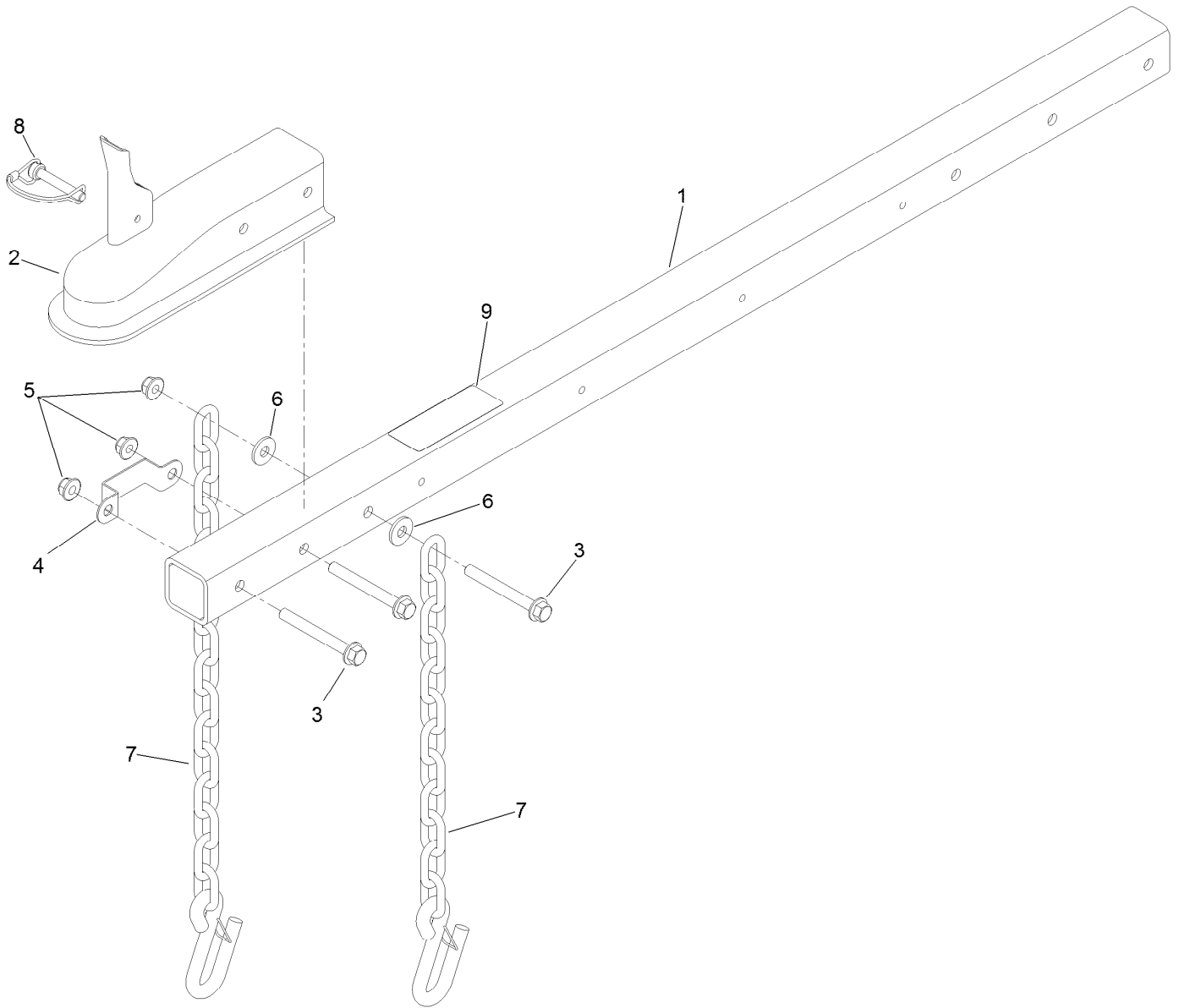
Ref.	Part Number	Qty.	Description	Ref.	Part Number	Qty.	Description
1	130-8510	1	Frame ASM	16	3230-2	4	Bolt-CARR
1:2	115-5105	1	Decal-Warning	17	322-5	2	Screw-HH
1:3	115-5113	1	Decal-Protection, Eye And Ear	18	104-8300	10	Nut-HF, NI
2	119-2966	1	Axle ASM	20	3256-82	8	Washer-Flat
3	112-6852	2	Fender	21	3233-26	4	Screw-CARR, Short Neck
4	104-8301	2	Nut-HF, NI	22	99-5107	4	Nut-Lock
5	1-543286	2	Grommet	24	125-6055-01	1	Tower-Control, Wa
6	2412-133	2	Clamp-R	25	323-10	3	Screw-HH
7	104-7050	1	Tube-Manual	26	93-8806	6	Washer-Hardened
8	119-3013	2	Wheel And Tire ASM	27	32128-19	3	Nut-HF
8:1	119-3009	1	Tire	28	121-2870	3	Mount-2 Piece
8:2	119-3010	1	Rim	29	119-6165	1	Decal-Ignition
8:3	232-27	1	Stem-Valve	30	131-6766	1	Decal-Fuses
9	323-14	2	Screw-HH	31	131-6703	1	Bracket-Hold Down, Electrical
10	119-3005	1	Hitch ASM	32	3334-945	1	Tie-Cable
11	104-7048	1	Cap-Housing	33	32180-030	1	Clip-Tie
15	3230-9	4	Screw-CARR				



Axle Assembly No. 119-2966

Ref.	Part Number	Qty.	Description
1		1	Axle-Torsion ●
2	254-94	4	Bearing-Cone, Tapered
3	119-3016	1	Hub ASM
3:2	114-3918	5	Stud-Wheel
3:3	254-72	2	Bearing-Cup, Tapered
4	112-1690	2	Seal-Oil
5	117-8259	2	Washer-Spindle
6	117-8260	2	Nut
7	3272-18	2	Pin-Cotter
8	93-0307	2	Nut-Lock, Retainer
9	241-119	2	Cap-Dust
10	242-50	10	Nut-Lug

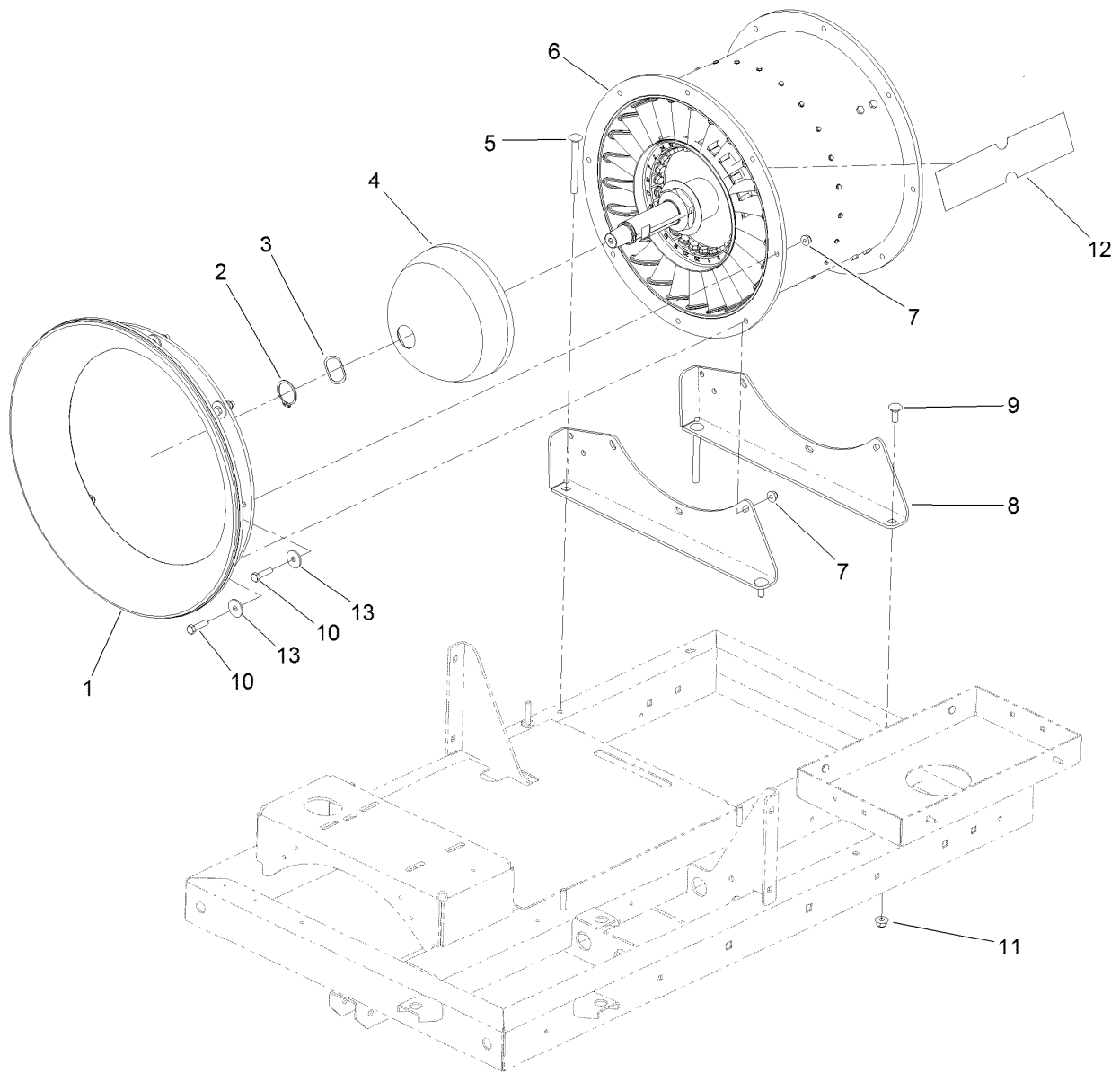
● Not serviced separately



Hitch Assembly No. 119-3005

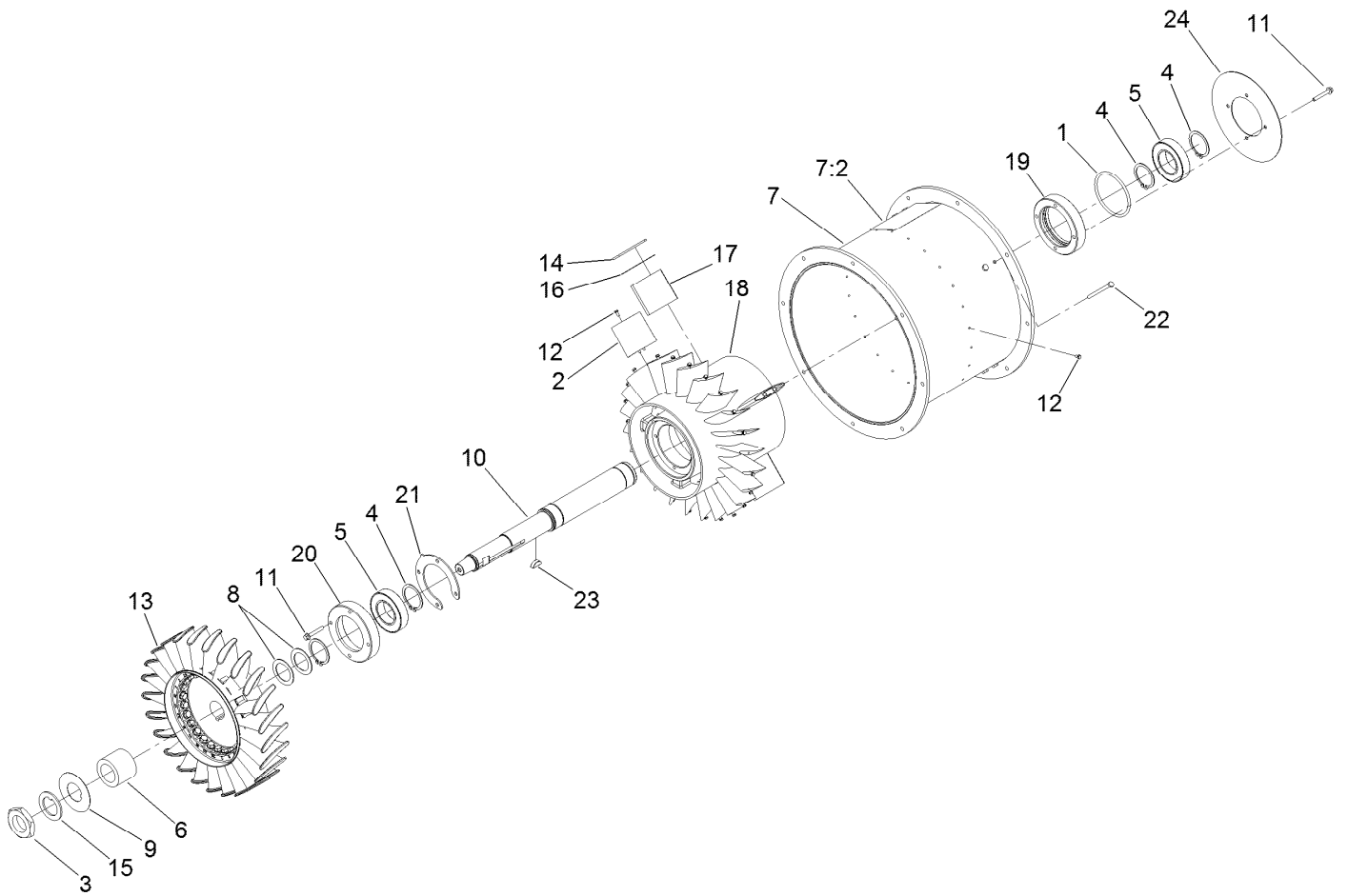
Ref.	Part Number	Qty.	Description
1		1	Tube-Hitch ●
2	117-8371	1	Receiver-Hitch, Ball
3	3234-41	3	Screw-HHF
4	119-3006	1	Hook-Light
5	104-8301	3	Nut-HF, NI
6	80-6990	2	Washer-Hardened
7	119-3045	2	Chain-Safety, Trailer
8	105-9245	1	Pin-Lock
9	119-6162	1	Decal-Tire

● Not serviced separately



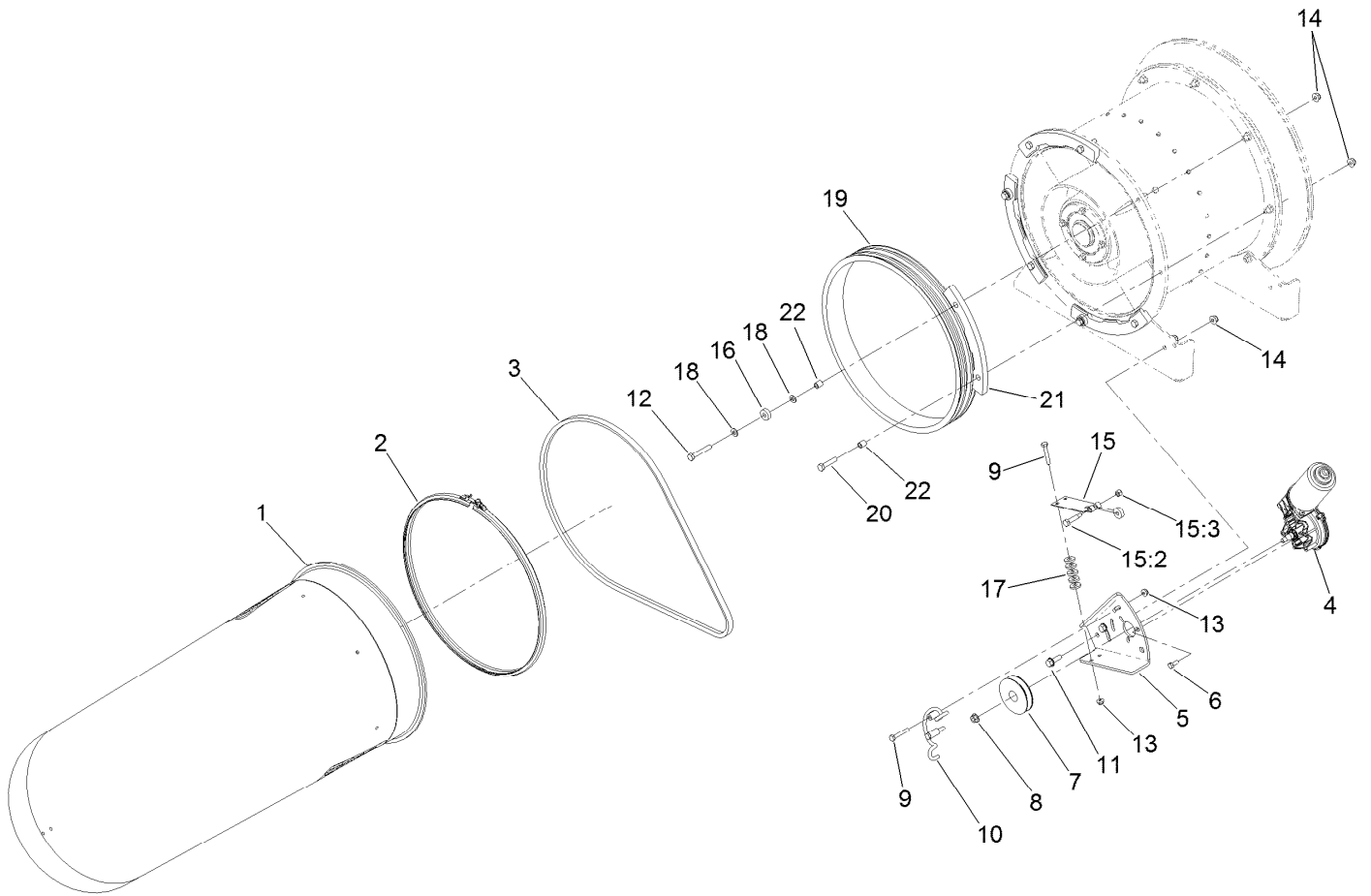
Turbine Mounting Assembly

Ref.	Part Number	Qty.	Description
1	117-8329	1	Bell-Inlet
2	112-1952	1	Ring-Snap, EXT
3	93-4632	1	Washer-Wavey
4	131-9440	1	Cap-Front
5	3231-24	2	Screw-CARR
6	125-4260	1	Turbine ASM
7	104-8300	8	Nut-HF, NI
8	112-6851-01	2	Mount-Fan
9	3231-2	2	Bolt-CARR
10	322-6	8	Screw-HH
11	104-8301	4	Nut-HF, NI
12	115-5102	2	Decal
13	5-4460	8	Washer-Pivot



Turbine Assembly No. 125-4260

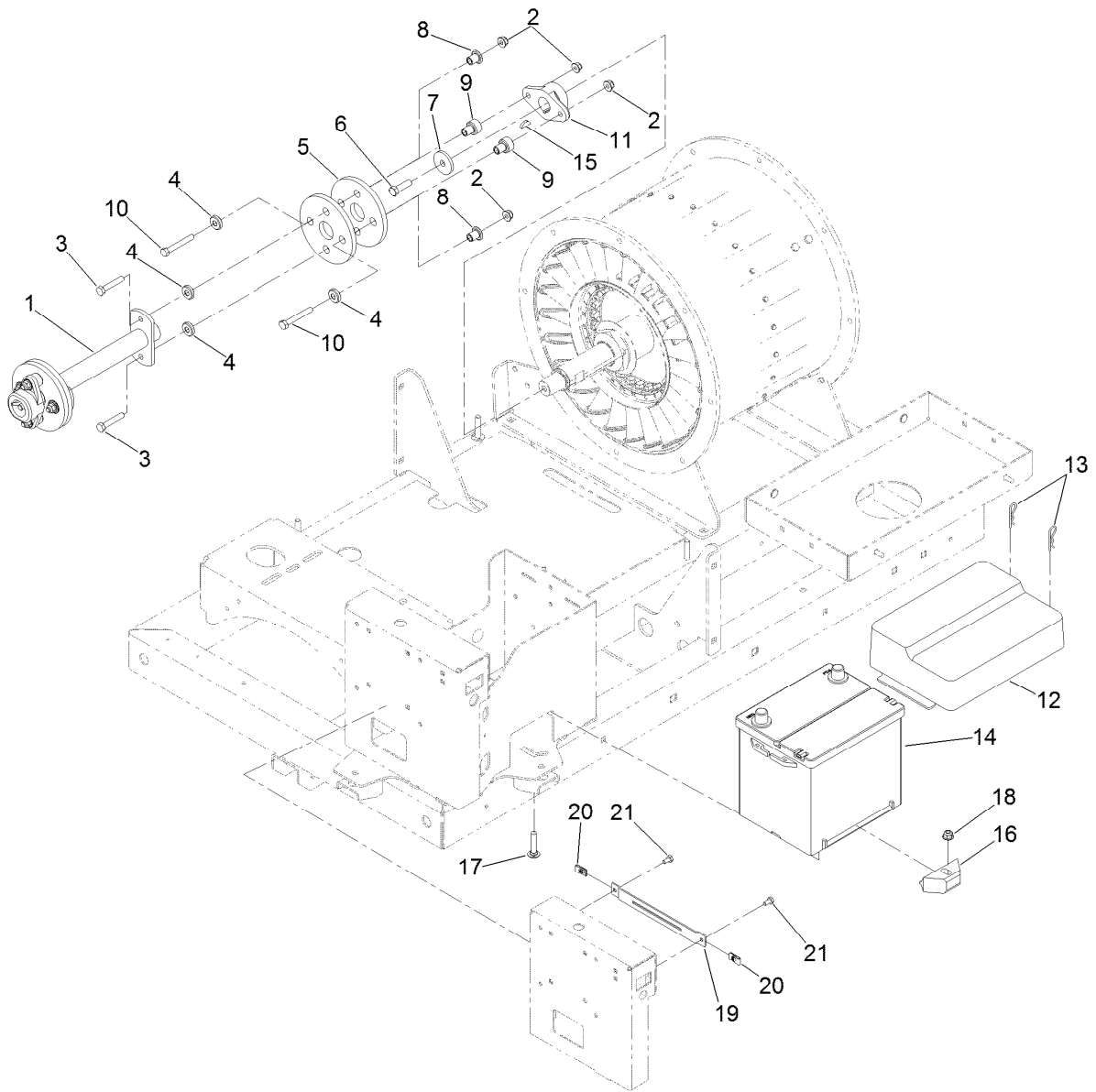
<i>Ref.</i>	<i>Part Number</i>	<i>Qty.</i>	<i>Description</i>	<i>Ref.</i>	<i>Part Number</i>	<i>Qty.</i>	<i>Description</i>
1	92-9533	1	O-Ring	13	117-8356	1	Rotor
2	112-1871	24	Vane-Stator	14	117-8393	1	Spacer-Fin
3	112-1899	1	Nut	15	119-6202	1	Washer-Tab
4	112-1951	4	Ring-Snap, EXT	16	119-6207	1	Spacer-Fin
5	112-6764	2	Bearing-Ball	17	119-6444	4	Mount-Fin
6	114-2164	1	Spacer	18	120-5920	1	Inner Housing
7	115-5128	1	Housing ASM	19	120-6042	1	End-Oring
7:2	115-5106	2	Decal-Danger	20	120-6061	1	Bearing-Cap
8	115-5131	2	Washer	21	120-6063	1	End-Cap
9	115-9005	1	Washer-Tab	22	321-19	8	Screw-HH
10	115-9075	1	Shaft-Fan	23	3257-42	1	Key-Woodruff
11	125-4287	8	Screw-HHF	24	130-0871-03	1	Plate-Center
12	117-8303	24	Screw-HHF				



Nozzle Drive Assembly

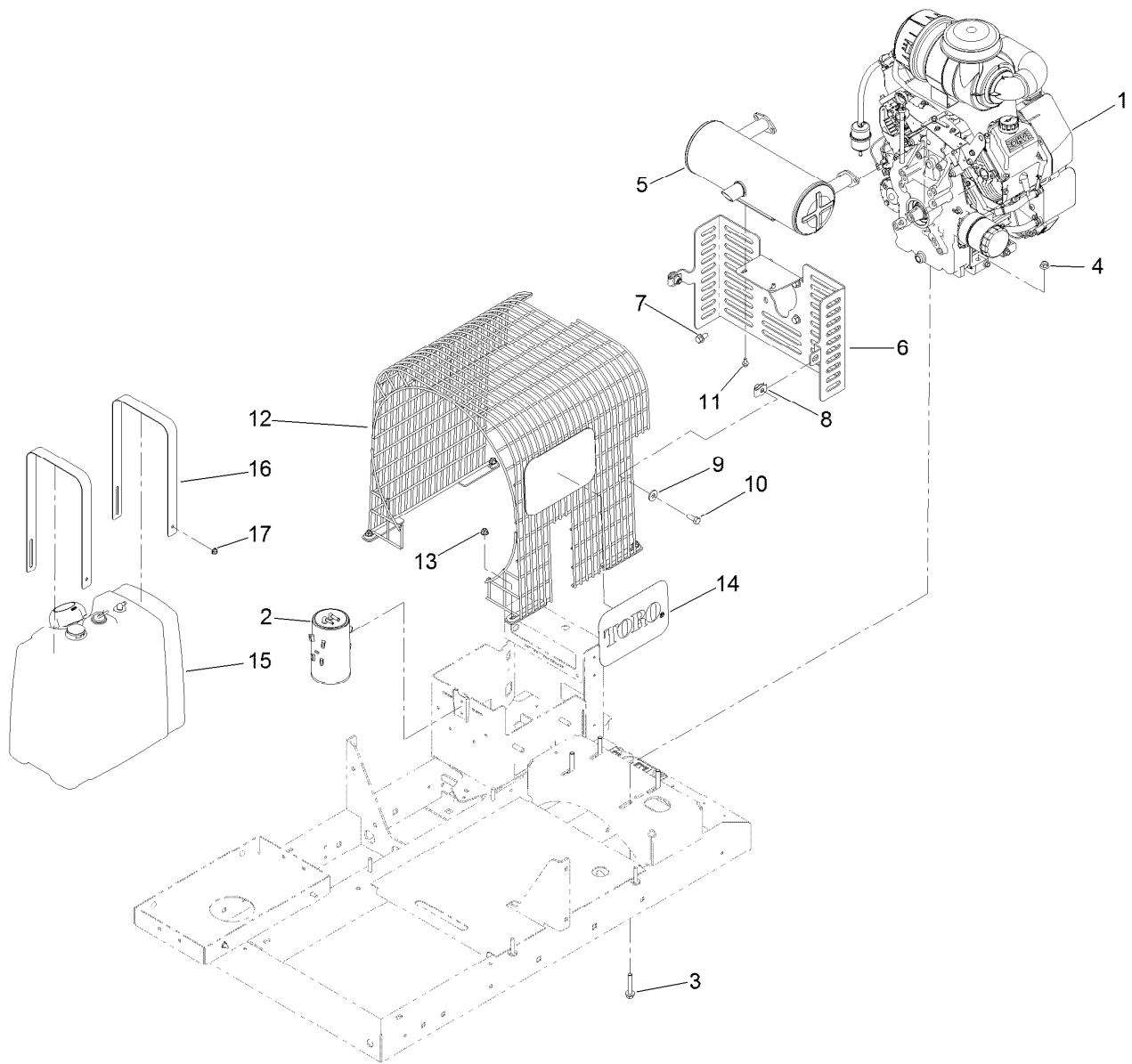
Ref.	Part Number	Qty.	Description
1	119-6287	1	Nozzle
2	112-6899	1	Clamp-Nozzle
3	112-1853	1	Belt-V
4	130-8551	1	Motor-Reversible
5	115-5149-01	1	Bracket-Motor
6	33113-016	3	Screw-HH
7	115-5147	1	Pulley
8	98-0668	1	Nut
9	321-37	4	Screw-HH
10	112-6924	1	Guard-Belt, Drive
11	3234-29	2	Screw-HHF
12	322-10	2	Screw-HH

Ref.	Part Number	Qty.	Description
13	104-7201	4	Nut-HF
14	104-8300	10	Nut-HF, NI
15	110-9650	1	Leaf Spring ASM
15:2	36-2250	1	Bolt-Shoulder
15:3	3296-42	1	Nut-Lock, NI
16	251-259	3	Bearing-Ball
17	88-7200	10	Washer-Flat
18	3256-74	4	Washer-Flat
19	112-1874	1	Pulley-Nozzle
20	322-7	6	Screw-HH
21	114-9868	4	Guide-Nozzle
22	93-6859	8	Spacer



Battery and Drive Shaft Assembly

<i>Ref.</i>	<i>Part Number</i>	<i>Qty.</i>	<i>Description</i>	<i>Ref.</i>	<i>Part Number</i>	<i>Qty.</i>	<i>Description</i>
1	115-5124-03	1	Shaft-Drive	12	130-8569	1	Cover-Battery
2	104-8300	8	Nut-HF, NI	13	3290-467	2	Pin-Hair
3	322-39	4	Screw-HH	14	106-5187	1	Battery-Dry
4	131-6761	8	Washer	15	3257-5	2	Key-Woodruff
5	115-5129	4	Coupling-Rubber	16	66-2490	1	Retainer-Battery
6	323-7	2	Screw-HH	17	3231-5	1	Screw-CARR
7	114-2120	2	Washer	18	104-8301	1	Nut-HF, NI
8	131-6763	4	Spacer-Coupling, Rubber	19	130-0932-01	1	Bracket-Cover
9	131-6762	4	Spacer-Coupling, Rubber	20	3290-199	2	Nut-Speed
10	322-32	4	Screw-HH	21	321-2	2	Screw-HH
11	114-2122	2	Hub-Engine				

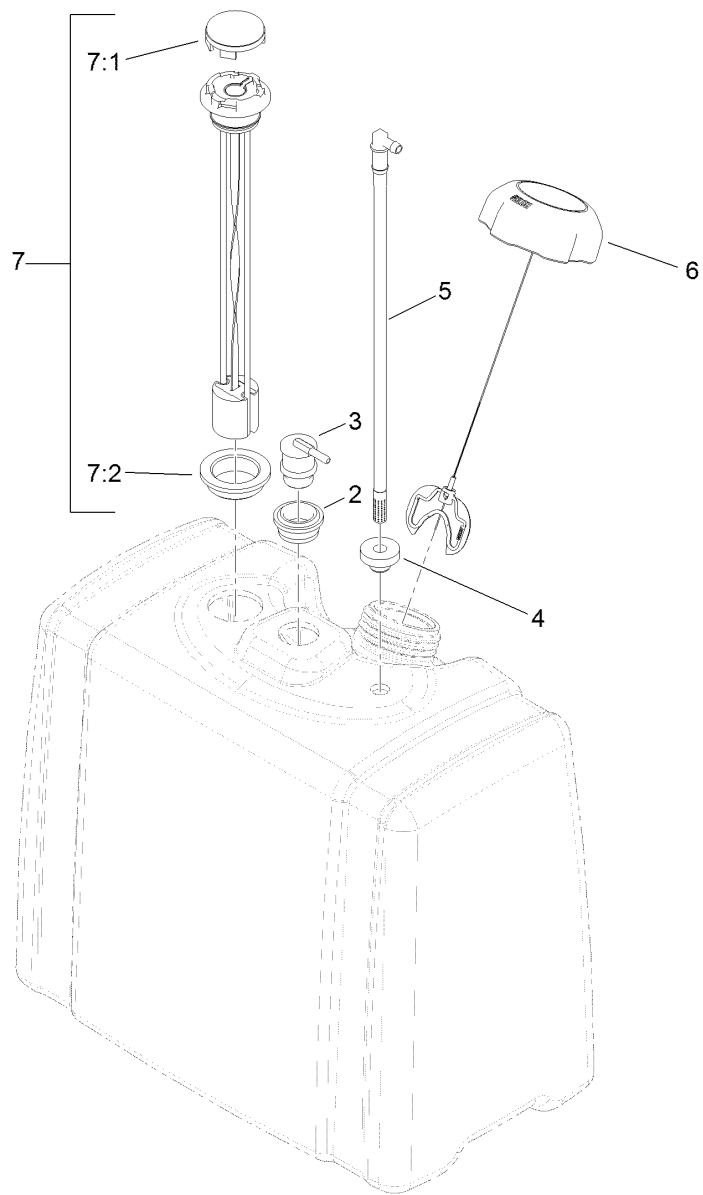


Engine, Muffler and Fuel Tank Assembly

Ref.	Part Number	Qty.	Description	Ref.	Part Number	Qty.	Description
1		1	Engine-Kohler, Ch740-3331 ■▲	9	80-6990	2	Washer-Hardened
1:1	108-3847	1	Filter-Oil ●	10	323-6	2	Screw-HH
2	115-2251	1	Canister-Carbon	11	33103-012	2	Screw-HHF
3	66-9302	4	Screw-HHF, Whiz	12	112-6876	1	Grill-Top
4	104-8301	4	Nut-HF, NI	13	104-8300	4	Nut-HF, NI
5	112-6862	1	Muffler	14	92-1242	2	Decal
6	119-6171-03	1	Mount-Muffler	15	115-9048	1	Fuel Tank ASM
7	110-1718	4	Screw-HHF	16	119-6285	2	Strap-Hold Down, Tank
8	105-4886	2	Nut-Tinnerman	17	104-7201	4	Nut-HF

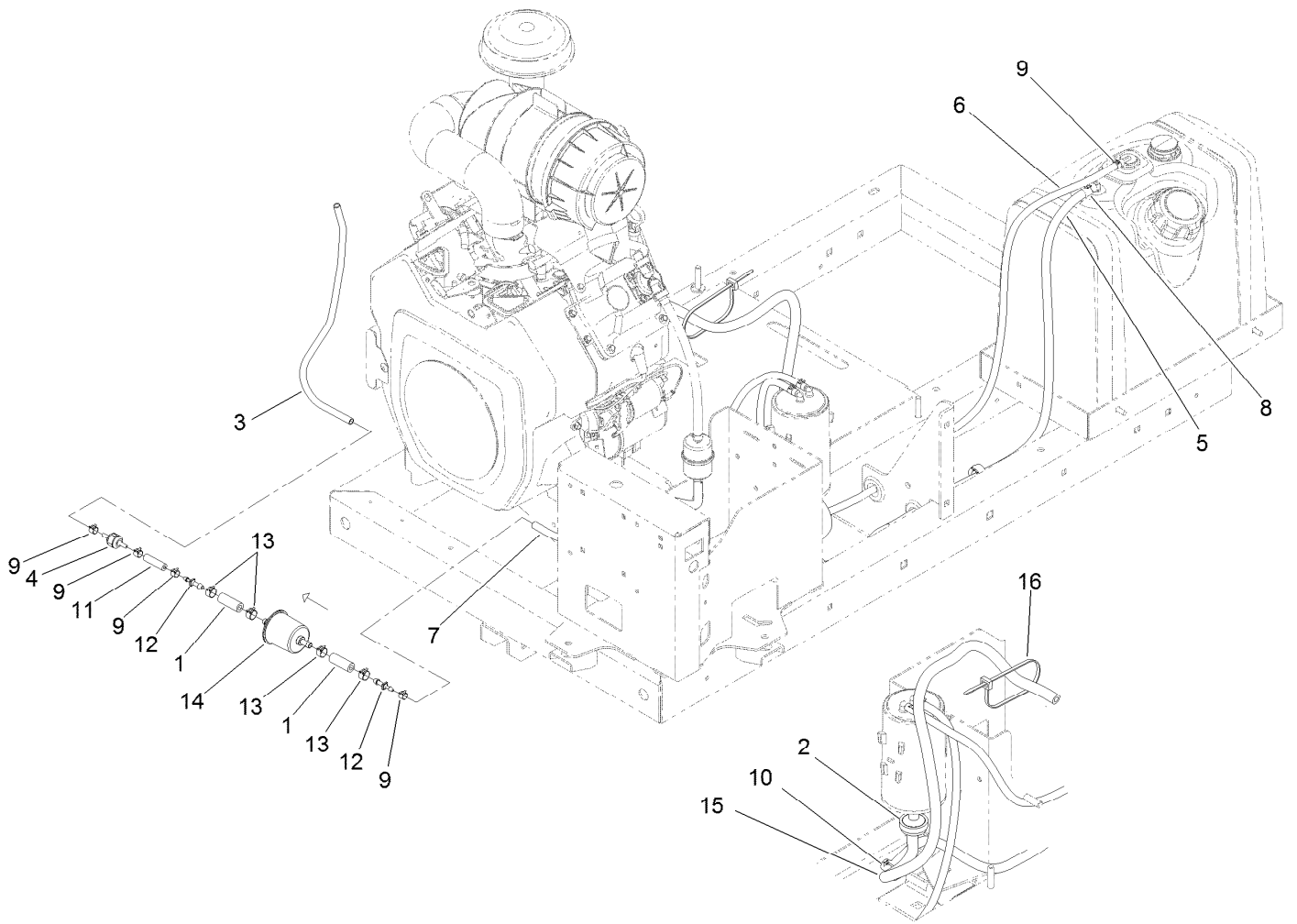
● Not illustrated
▲ Obtain parts from www.kohlerplus.com

■ Not serviced separately



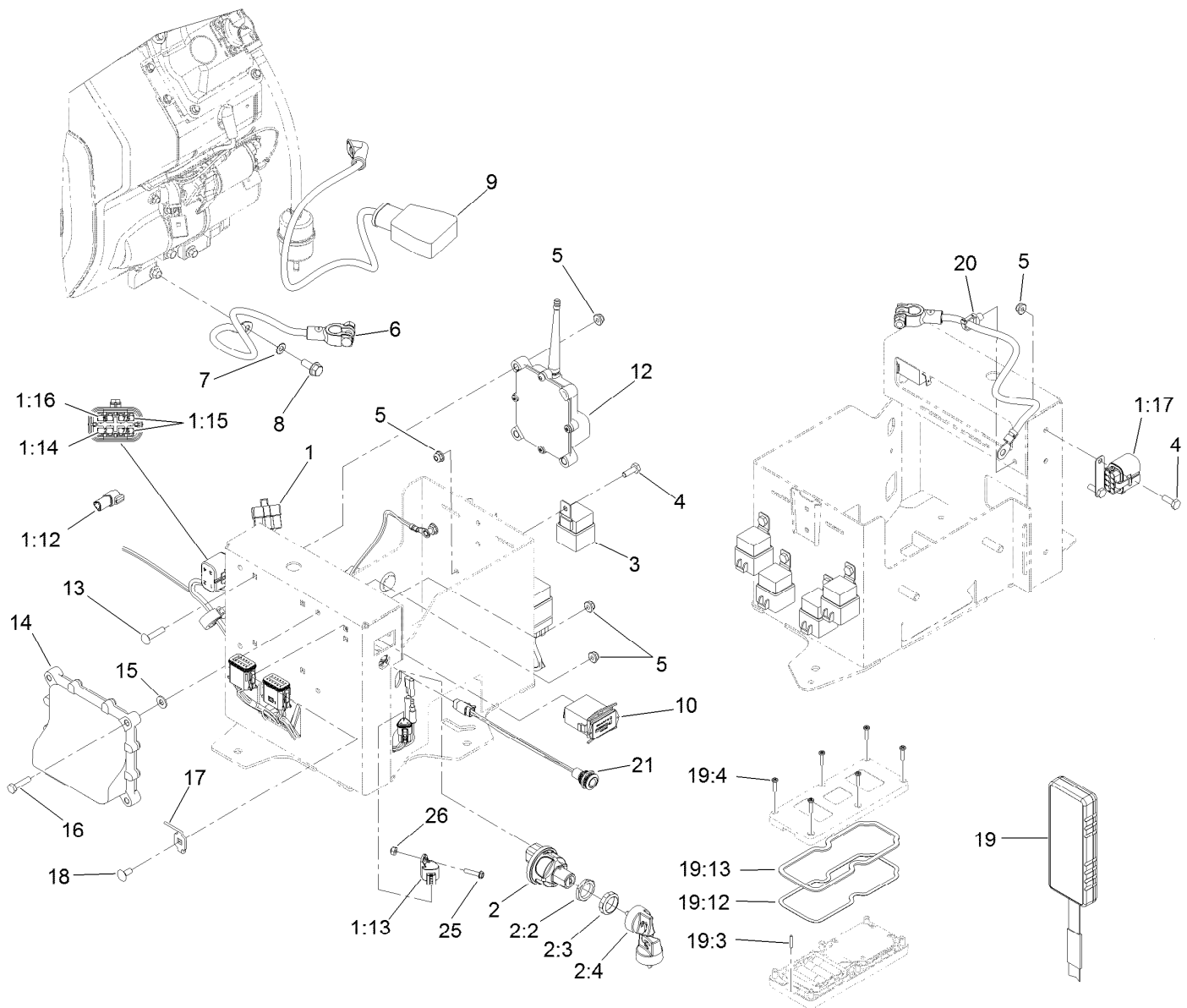
Fuel Tank Assembly No. 115-9048

<i>Ref.</i>	<i>Part Number</i>	<i>Qty.</i>	<i>Description</i>
2	114-0284	1	Grommet
3	114-0285	1	Valve-Rollover
4	46-6560	1	Bushing
5	115-9044	1	Pipe-Stand
6	115-7788	1	Cap-Fuel
7	119-0509	1	Gauge ASM
7:1	117-8404	1	Dial-Gauge
7:2	119-0508	1	Seal



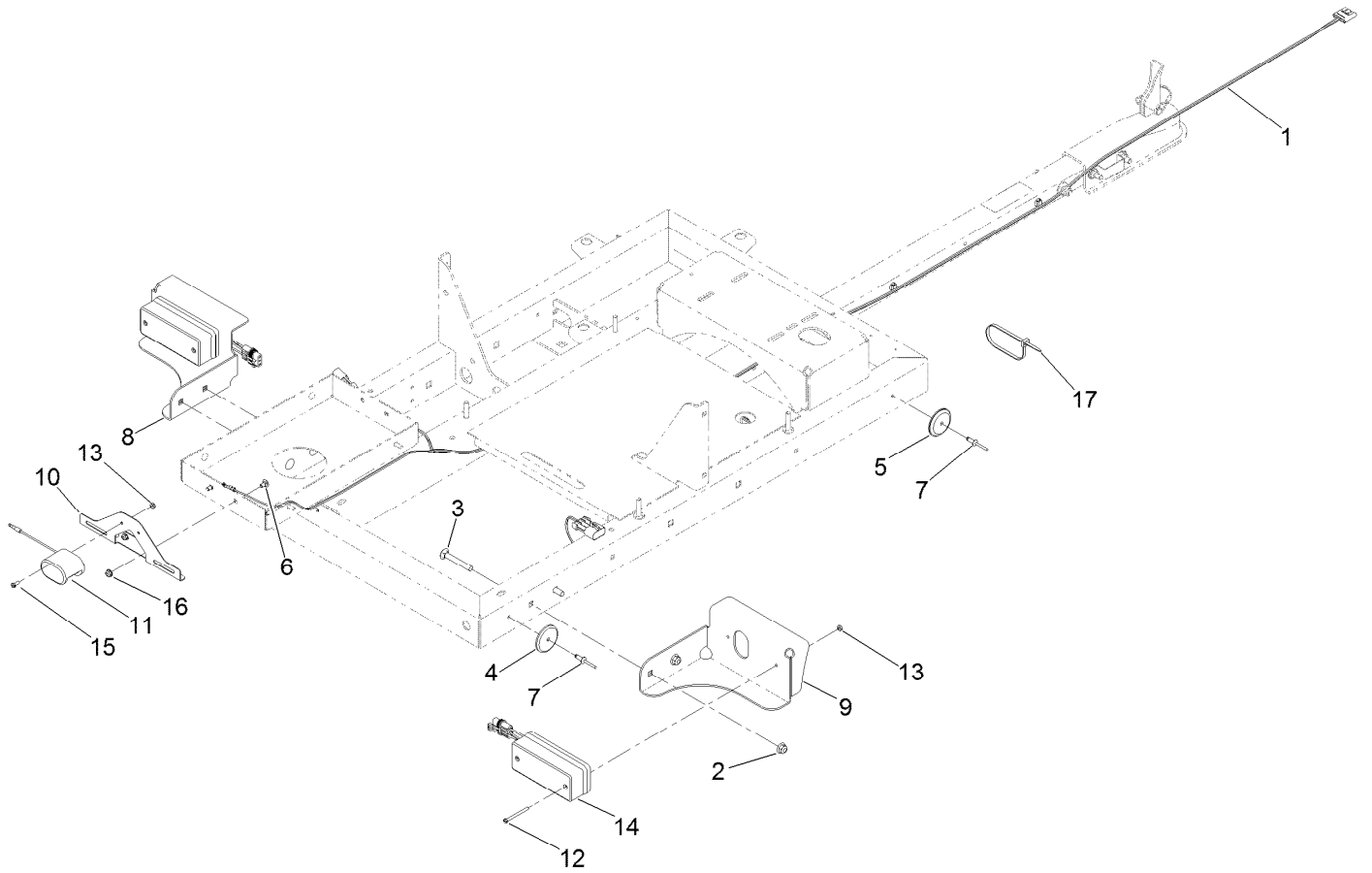
Fuel Delivery Assembly

<i>Ref.</i>	<i>Part Number</i>	<i>Qty.</i>	<i>Description</i>	<i>Ref.</i>	<i>Part Number</i>	<i>Qty.</i>	<i>Description</i>
1	106-5317	3	Hose-Fuel	9	2412-80	5	Clamp-Hose
2	115-7854	1	Filter-Fuel, Inline	10	32180-030	6	Clip-Tie
3	119-8150	1	Hose-Fuel	11	119-8561	1	Hose-Fuel
4	115-7868	1	Valve-Check, Vacuum	12	106-8150	2	Fitting-Straight
5	107-9298	1	Hose-Fuel	13	92-2379	4	Clamp-Hose
6	119-6073	1	Hose-Fuel	14	120-2235	1	Filter-Fuel
7	110-3254	1	Hose-Fuel	15	110-4109	1	Hose-Fuel
8	2412-98	2	Clamp-Hose	16	3290-378	1	Tie-Cable



Electrical System Assembly

Ref.	Part Number	Qty.	Description	Ref.	Part Number	Qty.	Description
1	122-0220	1	Harness-Wire, Blower	10	1-513374	1	Meter-Hour
1:12	32180-043	2	Resistor-120 Ohm	12	125-1230	1	Controller
1:13	32180-089	1	Cap-Plug, 3 Way	13	3229-3	4	Screw-CARR
1:14	121-8861	1	Fuse-Mini Blade, 2 Amp	14	125-1360	1	Controller
1:15	121-8865	2	Fuse-Mini Blade, 7.5 Amp	15	3256-22	4	Washer-Flat
1:16	121-8867	1	Fuse-Mini Blade, 15 Amp	16	321-8	4	Screw-HH
1:17	32180-179	1	Cover-Bussman	17	121-2761	1	Mount-Transmitter
2	121-5159	1	Ignition Switch ASM	18	3229-11	1	Screw-CARR
2:2	121-5160	1	Nut-Hex	19	125-1270	1	Remote ASM
2:3	121-5161	1	Nut-Face	19:3	121-2906	1	Pin-Lanyard
2:4	121-5162	1	Ignition Key Set	19:4	121-2908	6	Screw-PPH
3	99-7430	4	Relay	19:12	125-1294	1	Backer-Gasket
4	321-4	6	Screw-HH	19:13	125-1295	1	Gasket (HH-Small)
5	104-7201	15	Nut-HF	20	32180-030	1	Clip-Tie
6	125-5966	1	Cable-Battery, Negative	21	122-0630	1	Red LED Indicator Lamp ASM
7	3255-8	1	Washer-Lock	25	106-9169	1	Screw-HWH
8	33104-020	1	Screw-HHF	26	3296-2	1	Nut-Lock, NI
9	122-0629	1	Cable-Battery, Positive				



Tail Light Assembly

<i>Ref.</i>	<i>Part Number</i>	<i>Qty.</i>	<i>Description</i>	<i>Ref.</i>	<i>Part Number</i>	<i>Qty.</i>	<i>Description</i>
1	119-1792	1	Harness-Wire	10	119-6072-03	1	Bracket-Plate, License
2	104-8301	4	Nut-HF, NI	11	119-3041	1	Lamp-License
3	3231-9	4	Screw-CARR	12	32105-14	4	Screw-SHH
4	74-2390	2	Reflector-Red	13	3296-12	6	Nut-Lock, NI
5	104-6962	2	Reflector-Amber	14	119-3046	2	Tail-Light
6	3229-10	2	Screw-CARR	15	32105-8	2	Screw-SHH
7	3290-412	4	Rivet-Blind	16	104-7201	2	Nut-HF
8	119-3003-03	1	Bracket-Light Mount (LH)	17	3290-379	1	Tie-Cable
9	119-3004-03	1	Bracket-Light Mount (RH)				



Count on it.