



**Count on it.**

**Parts Catalog**

**Workman® HD Utility Vehicle with  
Bed**

Model No. 07369—Serial No. 313000001 and Up



# Ordering Replacement Parts

To order replacement parts, please supply the part number, the quantity, and the description of each part desired.

## **Understanding Reference Numbers**

Each identified part in an illustration has a reference number. The reference number for a part also appears in the parts list, along with other information about the part.

This catalog uses two special reference number formats, one to indicate parts in a service assembly and another to indicate the quantity of a given part in an illustration.

## **Service Assembly Reference Numbers**

Parts in service assemblies have reference numbers in the form a:b. The a represents the reference number of the entire service assembly and the b represents a sequential number unique to each part within the service assembly.

For example, a wheel assembly might be identified by reference number 6, the tire by 6:1, the valve by 6:2, and the wheel by 6:3. When you order the assembly identified by reference number 6, you receive all parts identified by reference numbers 6:1, 6:2, and 6:3. However, you may also order any part individually. Reference numbers of this type appear in illustration and in parts lists.

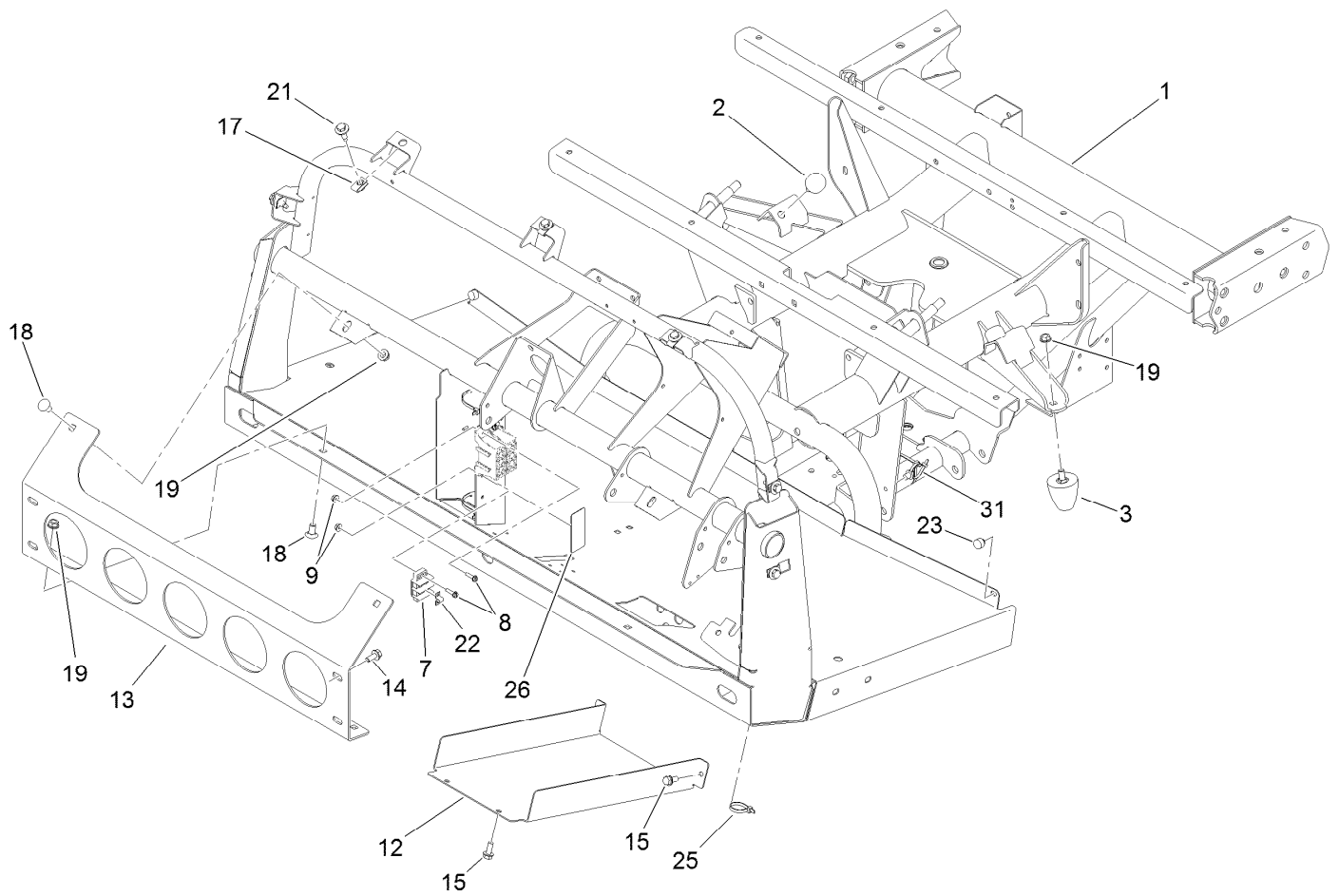
## **Reference Numbers Indicating Quantity**

In an illustration, if a reference number indicates more than one part, the reference number has the form nX y. The n represents the quantity of the part, the X is the multiplication symbol, and the y represents the reference number.

For example, in an illustration, the reference number 2X 37 means that two of the parts identified by reference number 37 are indicated.

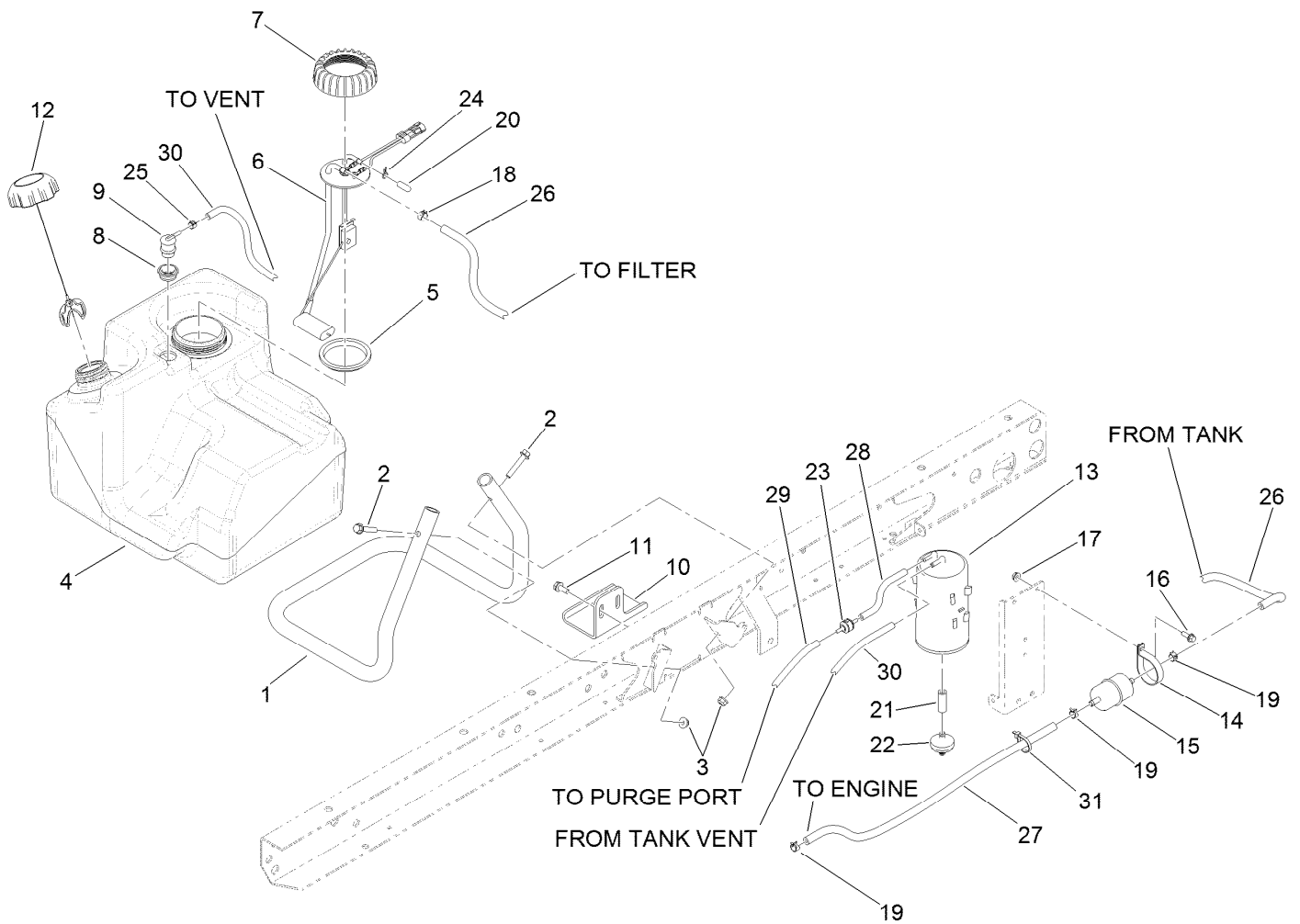
# Contents

Front Frame Assembly .....	4
Fuel System Assembly .....	5
Rear Frame and Suspension Assembly .....	6
Hydraulic Lift Cylinder Assembly .....	7
Hydraulic Cylinder Assembly No. 106-7939 .....	9
Lift Valve Assembly .....	10
Control Valve Assembly No. 43-1950 .....	11
Rear Axle Assembly .....	12
Brake Caliper Assembly No. 119-9535 .....	13
Driveshaft Assembly No. 114-8367 .....	14
Front and Rear Brake Line Assembly .....	15
Front Suspension Assembly .....	16
Steering and Front Wheel Assembly .....	17
Steering Linkage Assembly .....	18
Hydraulic Cylinder Assembly No. 112-3217 .....	19
Front Control Arm Assembly .....	20
Brake and Clutch Pedal Assembly .....	21
Master Cylinder Assembly No. 104-6782 .....	22
Accelerator Pedal Assembly .....	23
Console Assembly .....	24
Shift Assembly No. 106-7887 .....	26
Bumper, Hood and Seat Base Assembly .....	27
Dash Assembly .....	28
Steering Hydraulic Assembly .....	29
Steering Valve Assembly No. 120-4813 .....	30
Seat Assembly .....	31
Roll-Over Protection System Assembly .....	32
Full Bed and Side Panel Assembly .....	33
Engine Sub Frame Assembly .....	34
Hydraulic Gear Pump Assembly No. 112-2983 .....	35
Engine Assembly .....	36
Muffler Assembly .....	38
Clutch Linkage Assembly .....	39
Transaxle Assembly .....	40
Case Assembly Transaxle Assembly No. 115-7783 .....	41
Center Plate Assembly Transaxle Assembly No. 115-7783 .....	42
Main Shaft Assembly Transaxle Assembly No. 115-7783 .....	43
Reduction Shaft Assembly Transaxle Assembly No. 115-7783 .....	44
Reverse Shaft Assembly Transaxle Assembly No. 115-7783 .....	45
Main Shift Assembly Transaxle Assembly No. 115-7783 .....	46
Hi-Lo Shift Assembly Transaxle Assembly No. 115-7783 .....	47
Countershaft Assembly Transaxle Assembly No. 115-7783 .....	48
Differential Gear Assembly Transaxle Assembly No. 115-7783 .....	49
Differential Carrier Assembly Transaxle Assembly No. 115-7783 .....	50
Differential Lock Assembly Transaxle Assembly No. 115-7783 .....	51
Axle Shaft Assembly Transaxle Assembly No. 115-7783 .....	52
Battery Assembly .....	53
Tail Light and Fender Assembly .....	54
Front and Rear Wire Harness Assembly .....	55
Attachments and Accessories .....	56



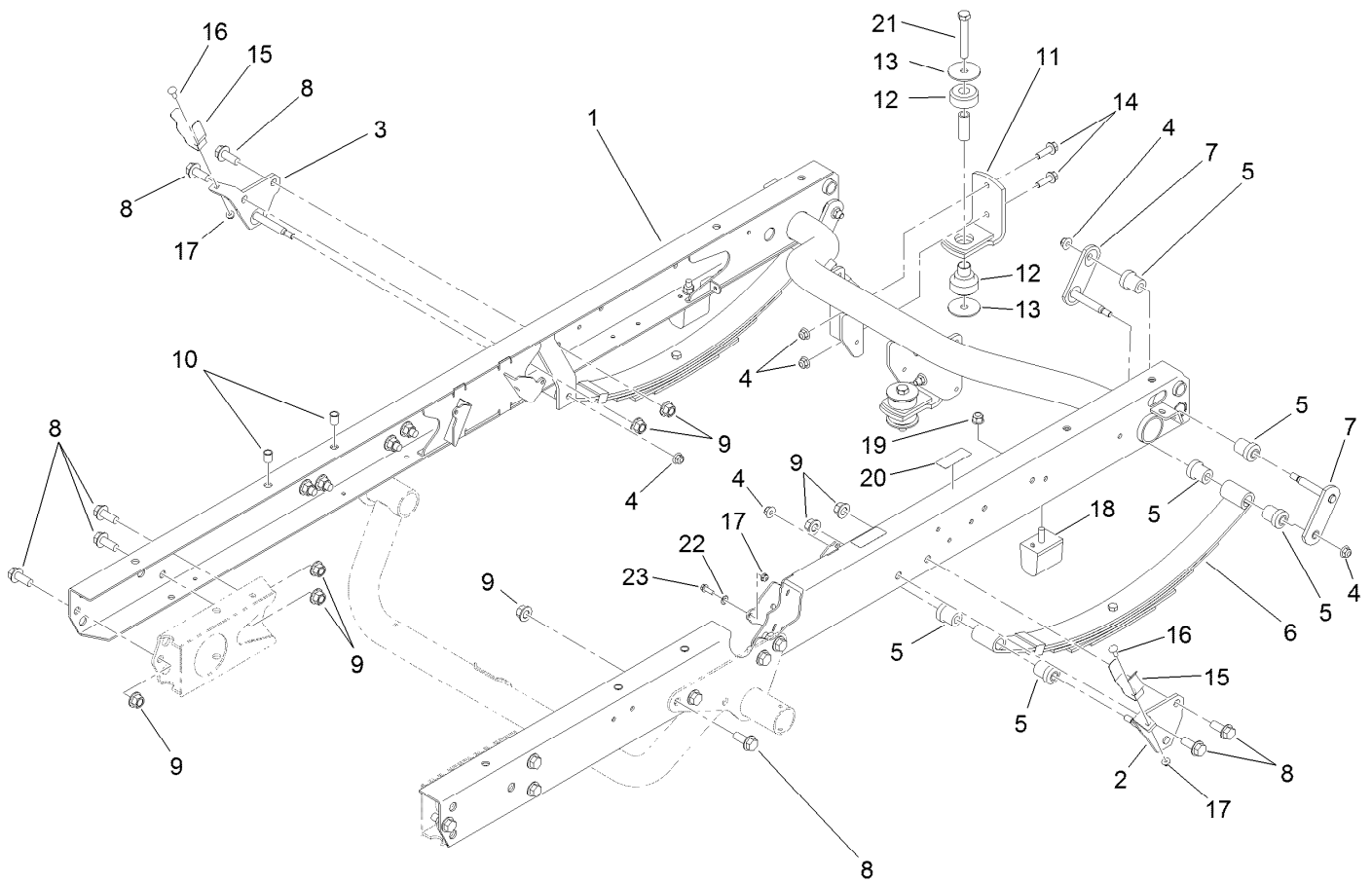
## Front Frame Assembly

<i>Ref.</i>	<i>Part Number</i>	<i>Qty.</i>	<i>Description</i>	<i>Ref.</i>	<i>Part Number</i>	<i>Qty.</i>	<i>Description</i>
1	120-5083-03	1	Frame-Front	17	94-2413	7	Nut-U
2	87-2440	2	Bumper-Rubber	18	3231-21	4	Screw-CARR
3	26-0071	2	Snubber-Rubber	19	3290-357	6	Nut-HHF, Whiz
7	42862	1	Block-Terminal, Ground	21	114-8418	7	Screw-HWH, Sems
8	32105-13	6	Screw-HWH	22	42863	1	Strip-Jumper
9	3290-148	6	Nut-HF	23	107-8042	2	Bumper-Rubber
12	106-2427-03	1	Cover	25	3290-379	9	Tie-Cable
13	114-8272-03	1	Bracket-Bumper	26	115-7813	1	Decal-Fuse
14	3234-5	4	Screw-HHF	31	32180-030	2	Clip-Tie
15	32144-11	4	Screw-HWHTF				



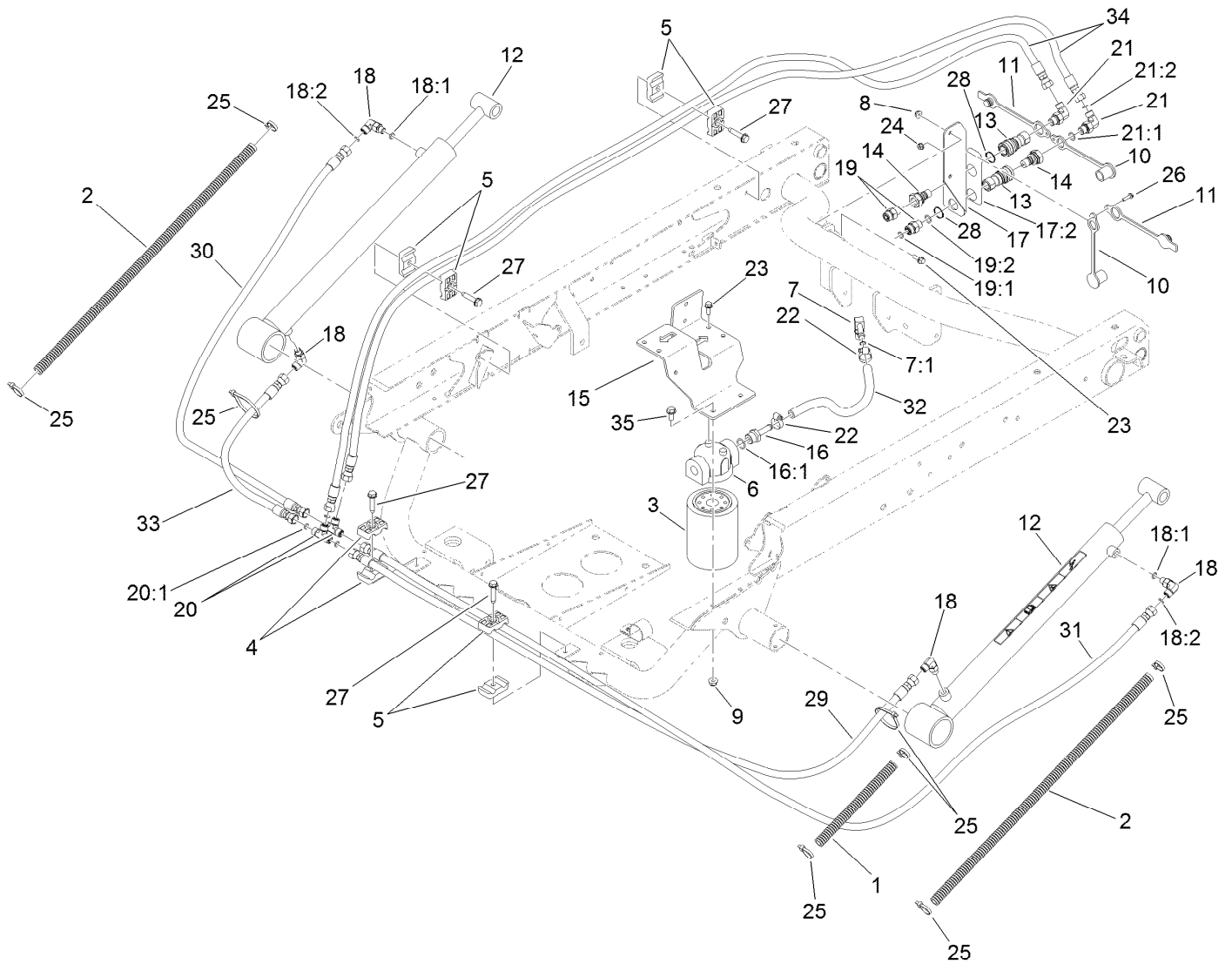
## Fuel System Assembly

Ref.	Part Number	Qty.	Description	Ref.	Part Number	Qty.	Description
1	115-7767-03	1	Tube-Support	17	32128-33	1	Nut-HF
2	94-5780	2	Screw-HWH	18	92-2379	1	Clamp-Hose
3	104-8300	4	Nut-HF, NI	19	2412-98	3	Clamp-Hose
4	115-7700	1	Tank-Fuel	20	115-2403	1	Cap
5	115-2163	1	Gasket-Pump, Fuel	21	106-5317	1	Hose-Fuel
6	114-8348	1	Sender-Fuel	22	115-7854	1	Filter-Fuel, Inline
7	115-2162	1	Cap-Pump, Fuel	23	115-7868	1	Valve-Check, Vacuum
8	114-0284	1	Grommet	24	2412-79	1	Clamp-Hose
9	114-0285	1	Valve-Rollover	25	2412-146	1	Clamp-Hose
10	114-8404	1	Plate-Retainer	26	110-3372	1	Hose-Fuel
11	32144-11	2	Screw-HWHTF	27	109-0281	1	Hose-Fuel
12	115-7788	1	Cap-Fuel	28	115-7871	1	Hose-Fuel
13	115-2251	1	Canister-Carbon	29	115-7872	1	Hose-Fuel
14	2412-148	1	Clamp-R	30	110-3254	1	Hose-Fuel
15	108-3854	1	Filter-Fuel	31	3290-379	1	Tie-Cable
16	3234-4	1	Screw-HHF				



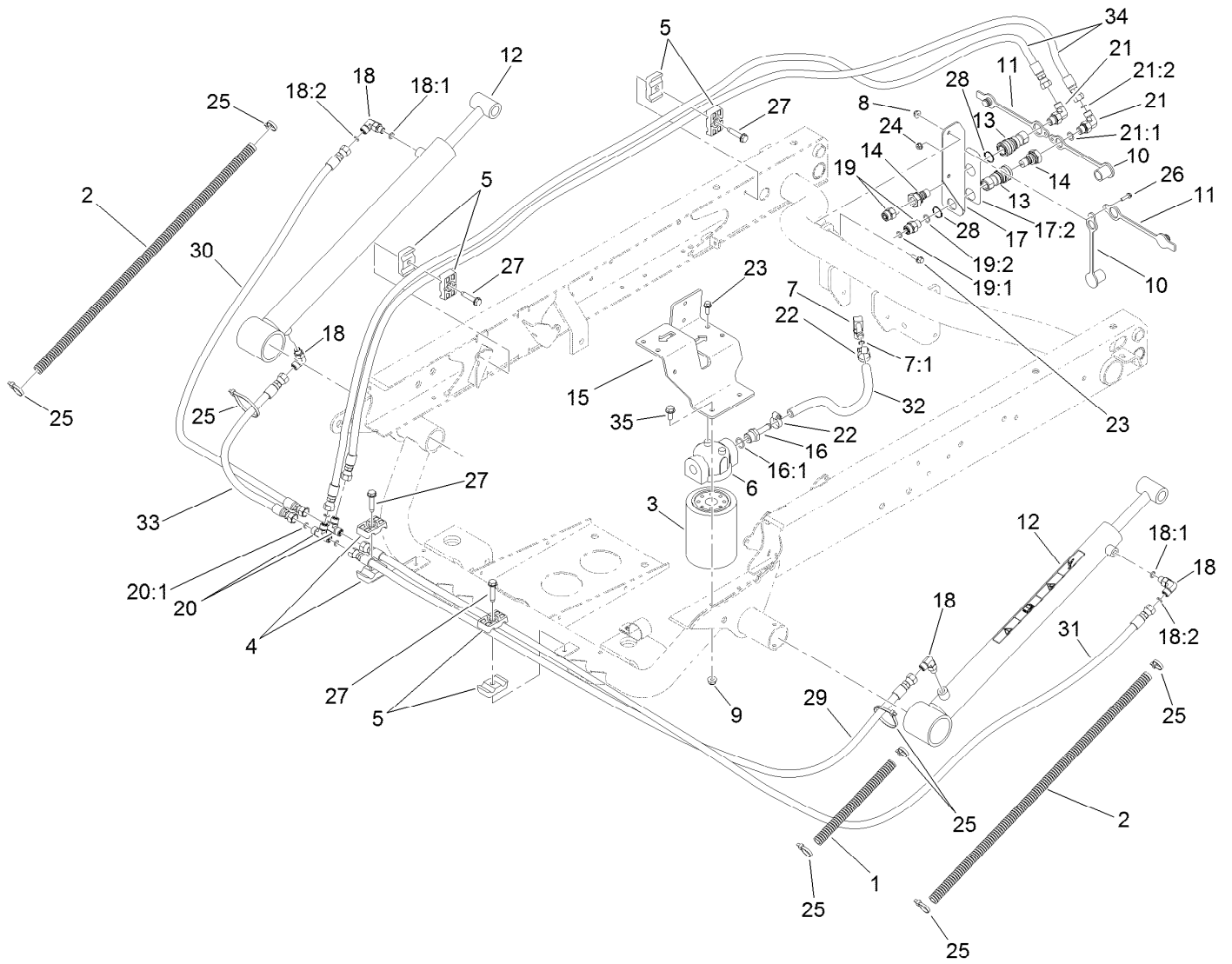
## Rear Frame and Suspension Assembly

<i>Ref.</i>	<i>Part Number</i>	<i>Qty.</i>	<i>Description</i>	<i>Ref.</i>	<i>Part Number</i>	<i>Qty.</i>	<i>Description</i>
1	115-2255-03	1	Frame-Rear	13	87-5100	4	Washer-Snubbing
2	87-3960	1	Mount-Spring, LH	14	3234-24	4	Screw-HHF
3	87-3940	1	Mount-Spring, RH	15	108-3109	2	Retainer-Cylinder
4	104-8301	10	Nut-HF, NI	16	3229-1	2	Bolt-CARR
5	87-4760	12	Bushing-Rubber	17	104-7201	3	Nut-HF
6	87-1490	2	Spring-Leaf, Rear	18	87-3470	2	Bumper
7	87-3980	4	Shackle ASM	19	103-9511	2	Nut-Lock, NI
8	3234-38	18	Screw-HHF	20	115-2047	2	Decal-Surface, Hot
9	99-5107	18	Nut-Lock	21	33116-080	2	Screw-HH
10	32148-9	4	Insert-Nut	22	3255-8	1	Washer-Lock
11	87-5800-03	2	Mount-Transaxle	23	32105-15	1	Screw-HWH
12	106-7865	2	Mount-Engine				



## Hydraulic Lift Cylinder Assembly

Ref.	Part Number	Qty.	Description	Ref.	Part Number	Qty.	Description
1	24-7922	1	Conduit-Convolved, Split	18:1	237-78	1	O-Ring
2	24-7923	2	Conduit-Convolved, Split	18:2	237-21	1	O-Ring
3	54-0110	1	Filter-Oil, Transmission	19	340-2	2	Fitting-Straight
4	56-7971	2	Clamp-Tube	19:1	237-22	1	O-Ring
5	56-7976	6	Clamp-Tube	19:2	237-42	1	O-Ring
6	87-8780	1	Head-Filter	20	340-21	2	Fitting
7	100-4887	1	Fitting-Barbed	20:1	237-21	3	O-Ring
7:1	237-42	1	O-Ring	21	340-82	2	Fitting-Elbow 90
8	104-7201	2	Nut-HF	21:1	237-42	1	O-Ring
9	104-8300	2	Nut-HF, NI	21:2	237-21	1	O-Ring
10	106-7881	2	Cap-Dust, HYD	22	2412-36	2	Clamp-Hose
11	106-7882	2	Plug-Dust, HYD	23	3234-4	4	Screw-HHF
12	106-7939	2	HYD Cylinder ASM	24	3290-148	1	Nut-HF
13	106-7968	2	Coupler-Quick, Female	25	3290-379	6	Tie-Cable
14	106-7969	2	Coupler-Quick, Male	26	32105-13	1	Screw-HWH
15	115-2168-03	1	Bracket-Filter	27	32144-57	4	Screw
16	115-2231	1	Fitting-Straight	28	32151-83	2	Ring-Snap
16:1	237-79	1	O-Ring	29	115-7711	1	HYD Hose ASM
17	115-7715	1	Coupler Bracket ASM	30	108-6508	1	Hose-HYD
17:2	115-7723	1	Decal-Disconnect, Quick	31	104-3716	1	HYD Hose ASM
18	340-132	4	Fitting-90 DEG	32	115-2228	1	HYD Hose ASM

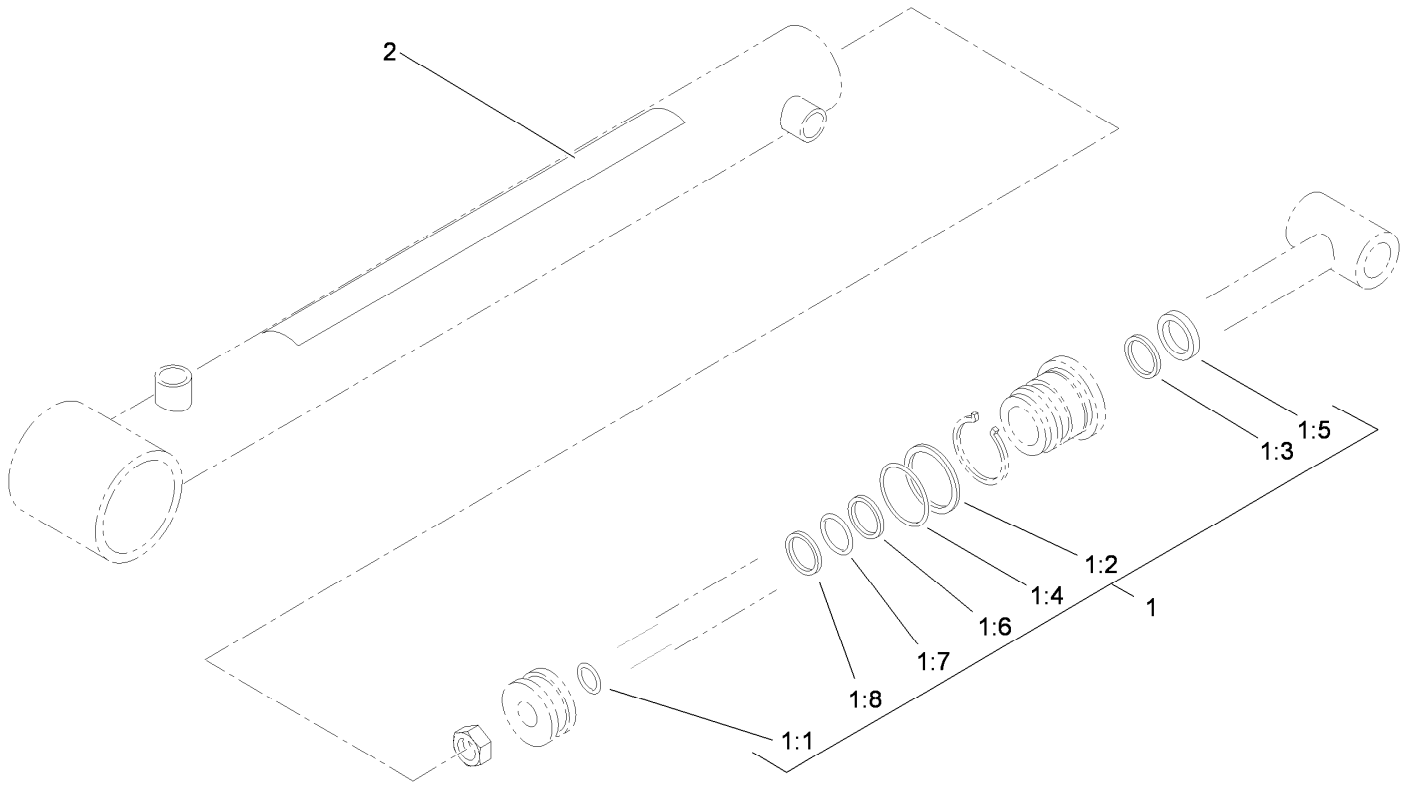


## Hydraulic Lift Cylinder Assembly (continued)

Ref.	Part Number	Qty.	Description
33	110-0931	1	Hose-HYD

Ref.	Part Number	Qty.	Description
34	106-3680	2	Hose-HYD
35	3234-5	2	Screw-HHF

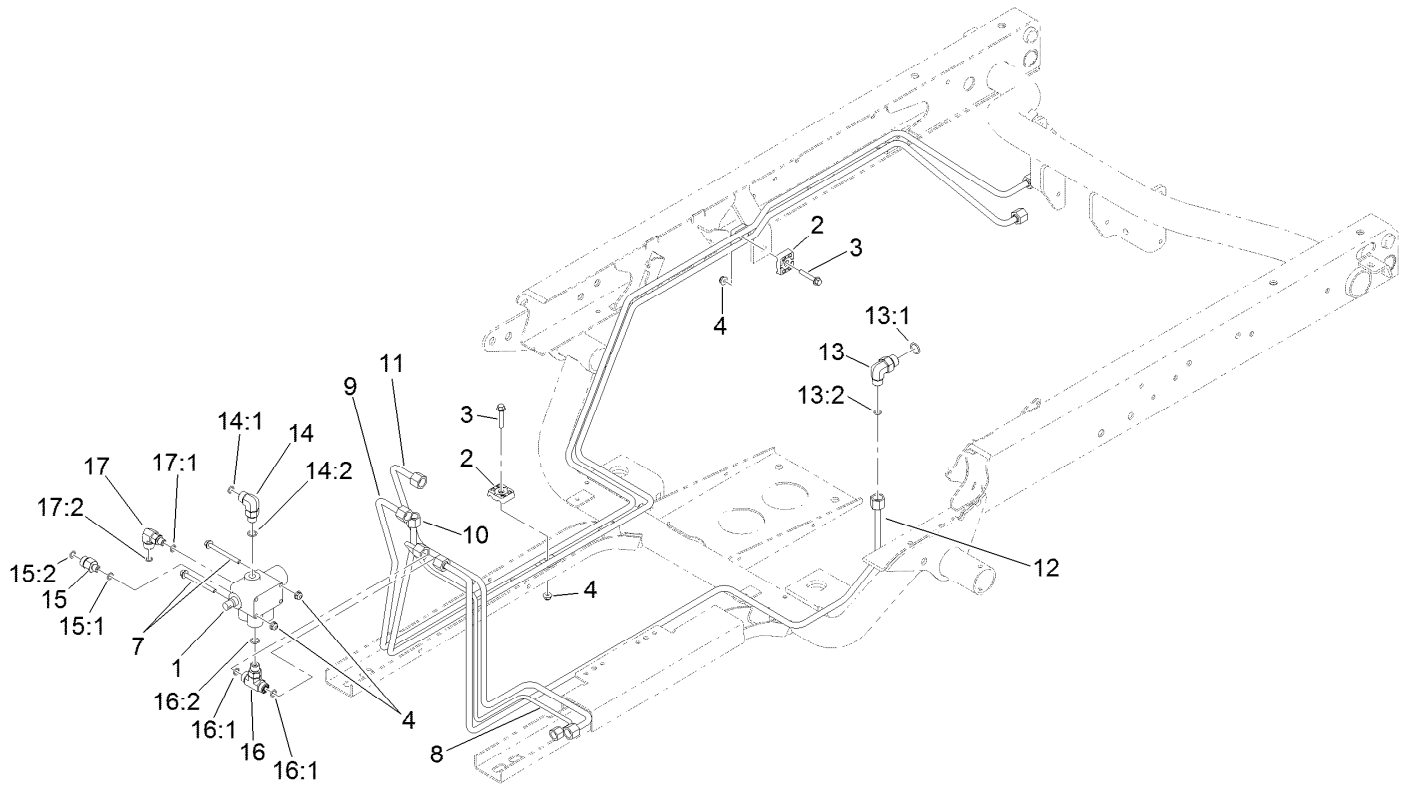




## Hydraulic Cylinder Assembly No. 106-7939

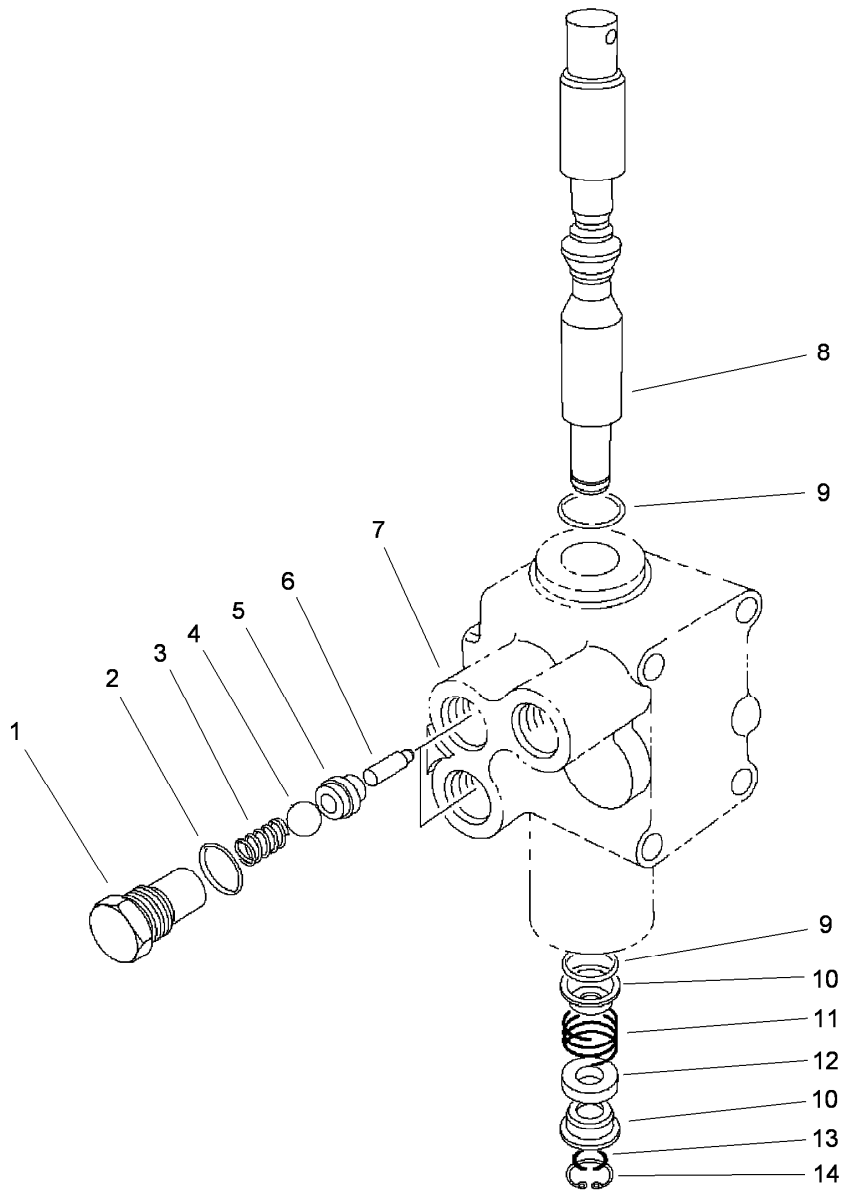
<i>Ref.</i>	<i>Part Number</i>	<i>Qty.</i>	<i>Description</i>
1	106-7941	1	Seal Kit
1:1		1	O-Ring ●
1:2		1	O-Ring ●
1:3		1	Seal ●
1:4		1	Back-Up ●
1:5		1	Wiper ●
1:6		1	Seal ●
1:7		1	O-Ring ●
1:8		1	Ring-Wear ●
2	93-9852	1	Decal-Warning

● Not serviced separately



## Lift Valve Assembly

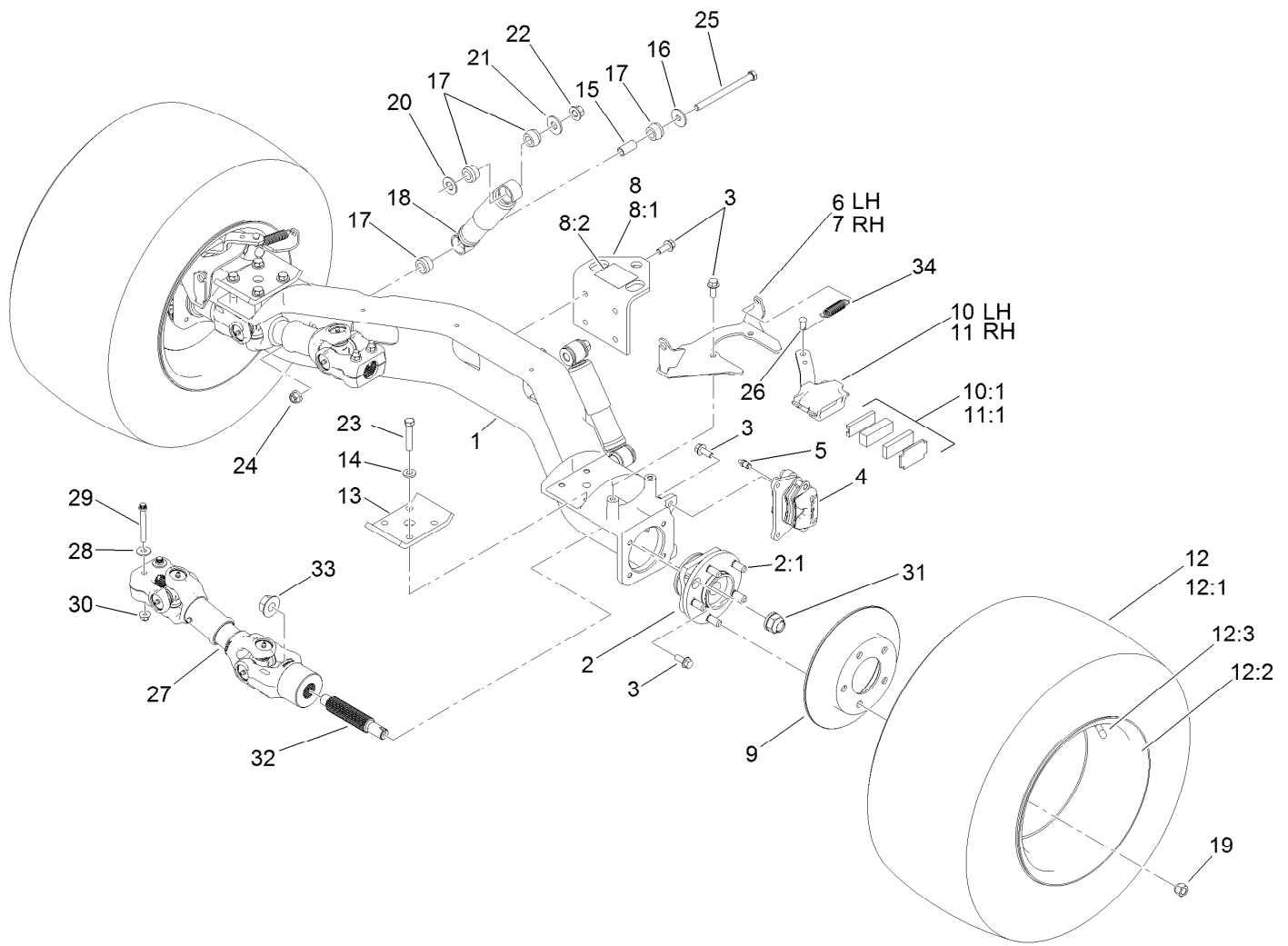
<i>Ref.</i>	<i>Part Number</i>	<i>Qty.</i>	<i>Description</i>	<i>Ref.</i>	<i>Part Number</i>	<i>Qty.</i>	<i>Description</i>
1	43-1950	1	HYD Control Valve ASM	14	340-77	1	Fitting-Elbow-90
2	56-7973	4	Clamp-Tube	14:1	237-22	1	O-Ring
3	94-5781	2	Screw-HHF	14:2	237-42	1	O-Ring
4	104-7201	4	Nut-HF	15	340-88	1	Fitting-Str
7	114-8410	2	Screw-HHF	15:1	237-22	1	O-Ring
8	115-2216	1	Tube-HYD	15:2	237-78	1	O-Ring
9	115-2217	1	Tube-HYD	16	340-94	1	Adapter
10	115-2218	1	Tube-HYD	16:1	237-22	2	O-Ring
11	115-2223	1	Tube-HYD	16:2	237-42	1	O-Ring
12	115-2224	1	Tube-HYD	17	340-97	1	Fitting-Elbow 90
13	340-18	1	Fitting-HYD, 90 DEG	17:1	237-22	1	O-Ring
13:1	237-79	1	O-Ring	17:2	237-78	1	O-Ring
13:2	237-22	1	O-Ring				



## Control Valve Assembly No. 43-1950

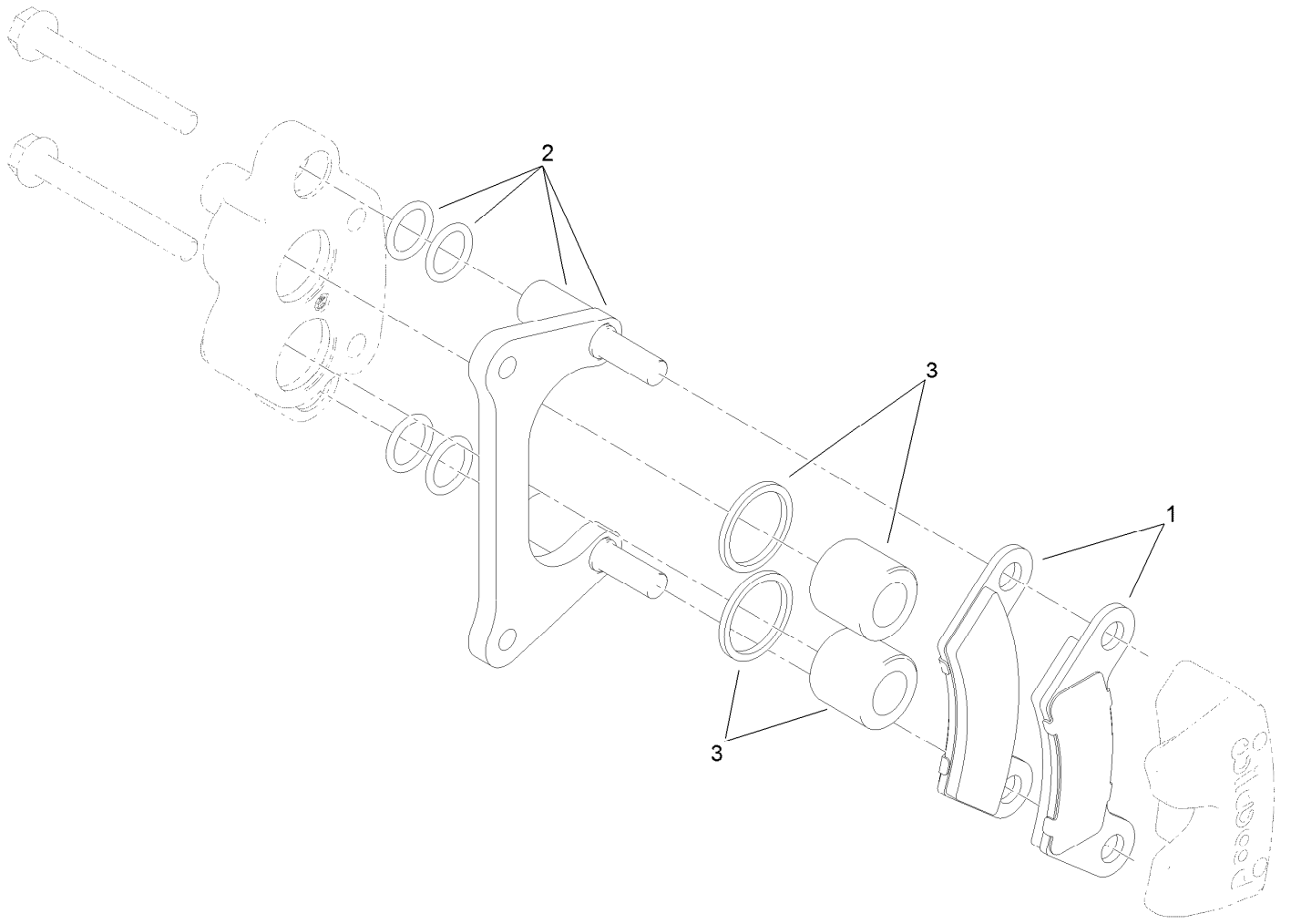
Ref.	Part Number	Qty.	Description
1	22-8330	2	Plug
2	237-42	2	O-Ring
3	22-8340	2	Spring
4	22-8350	2	Ball
5	22-8370	2	Seat-Valve
6	22-8360	2	Pin
7		1	Body ●
8	22-8420	1	Spool
9	22-8500	2	O-Ring
10	22-8380	2	Retainer
11	22-8410	1	Spring
12	23-3030	1	Spacer
13	22-8480	1	Ring-Snap
14	22-8490	1	Ring-Snap

● Not serviced separately



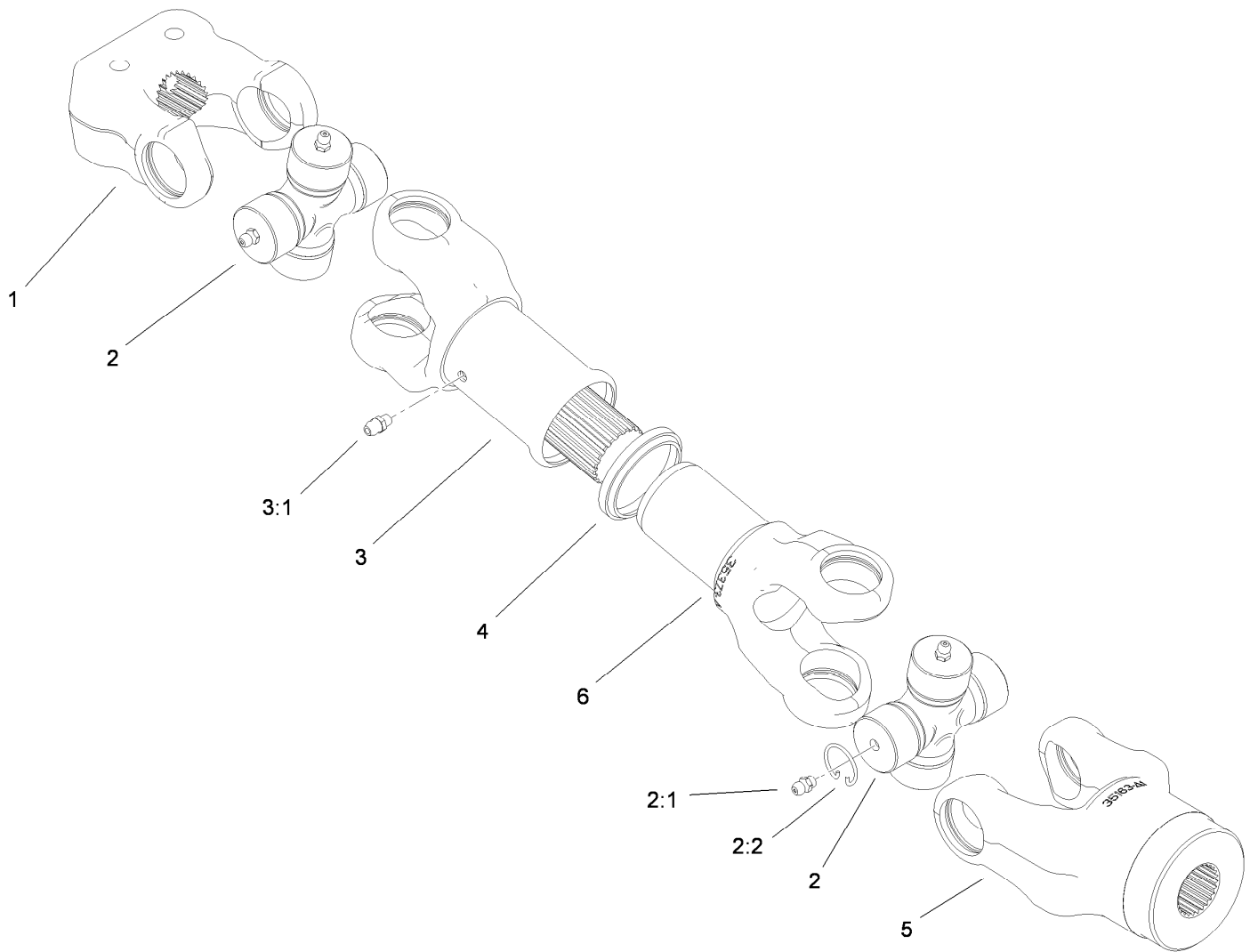
## Rear Axle Assembly

Ref.	Part Number	Qty.	Description	Ref.	Part Number	Qty.	Description
1	119-9515	1	Axle-Rear	14	87-7480	8	Washer
2	112-3214	2	Wheel Hub ASM	15	87-3600	2	Spacer-Absorber, Shock
2:1	114-8299	5	Stud-Wheel	16	87-5330	2	Washer
3	3234-11	20	Screw-HHF	17	87-3920	8	Bushing
4	119-9535	2	Brake Caliper ASM	18	87-3110	2	Absorber-Shock
5	119-9509	2	Screw-Bleed	19	242-50	10	Nut-Lug
6	115-2362-03	1	Bracket-Caliper, LH	20	3256-27	2	Washer-Flat
7	115-2359-03	1	Bracket-Caliper, RH	21	3256-6	2	Washer-Flat
8	115-7742	1	Hitch ASM	22	99-5107	2	Nut-Lock
8:1	92-5951-03	1	Angle-Hitch	23	115-2398	8	Bolt-HH
8:2	115-7740	1	Decal-Load, Towing	24	114-8417	2	Nut-HF, NI
9	114-8351	2	Rotor-Brake	25	114-8424	2	Screw-HH
10	114-8365	1	Caliper-Mechanical, LH	26	283-85	2	Pin-Clevis
10:1	115-7847	1	Parking Brake Pad Kit	27	114-8367	2	Driveshaft ASM
11	114-8366	1	Caliper-Mechanical, RH	28	80-6990	4	Washer-Hardened
11:1	115-7847	1	Parking Brake Pad Kit	29	98-2939	4	Screw-Cap
12	114-8288	2	Tire And Wheel ASM	30	104-8301	4	Nut-HF, NI
12:1	106-7868	1	Tire	31	115-2164	2	Nut-Spindle
12:2	114-8259	1	Wheel	32	115-7771	2	Shaft, Splined
12:3	232-27	1	Stem-Valve	33	104-0753	2	Nut-Flange
13	87-7470-03	2	Plate-Spring, Clamp	34	104-6415	2	Spring-Return, Pedal



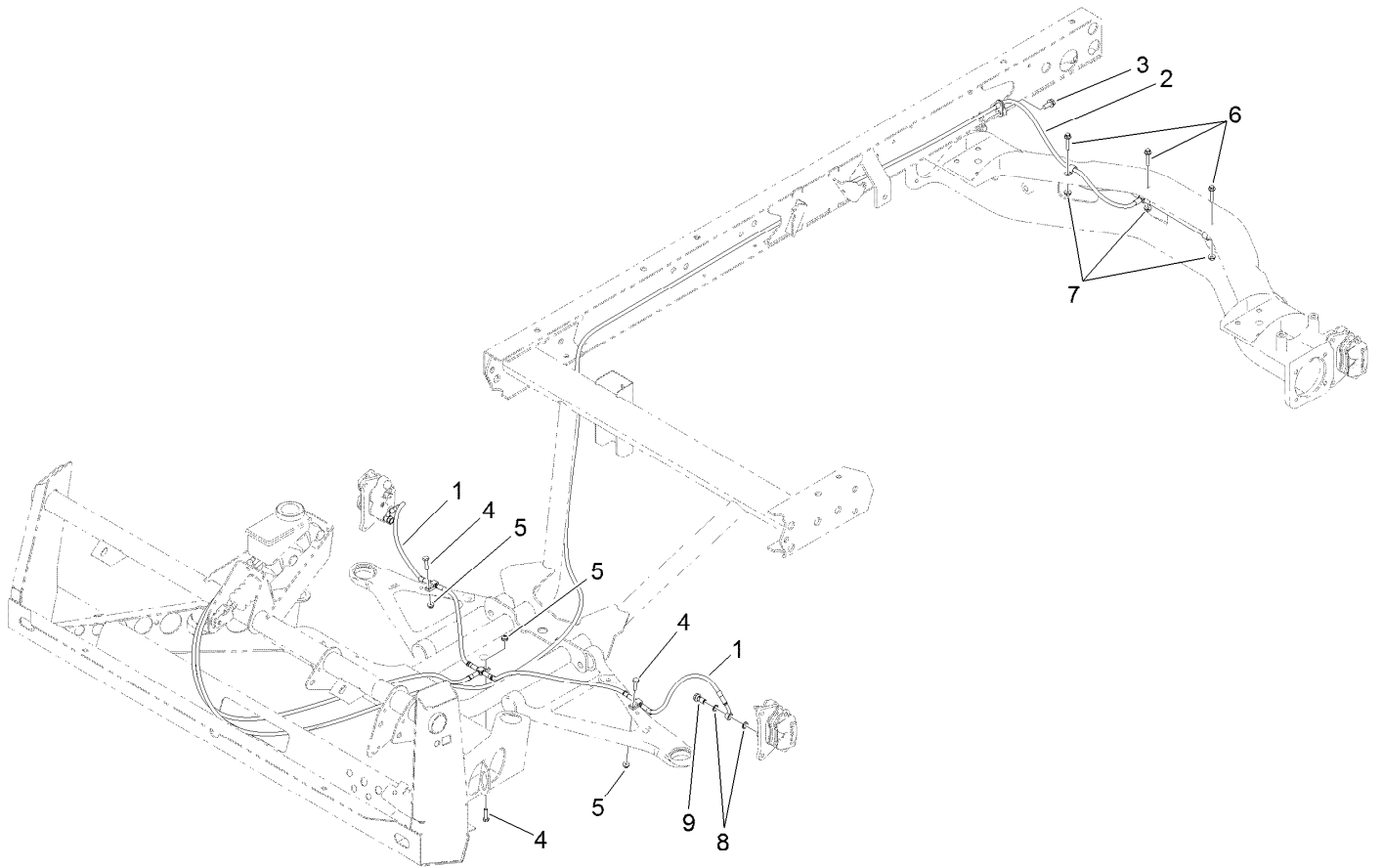
## Brake Caliper Assembly No. 119-9535

<i>Ref.</i>	<i>Part Number</i>	<i>Qty.</i>	<i>Description</i>
1	119-9510	1	Pads-Brake
2	119-9511	1	Bracket Kit
3	119-9512	1	Piston Kit



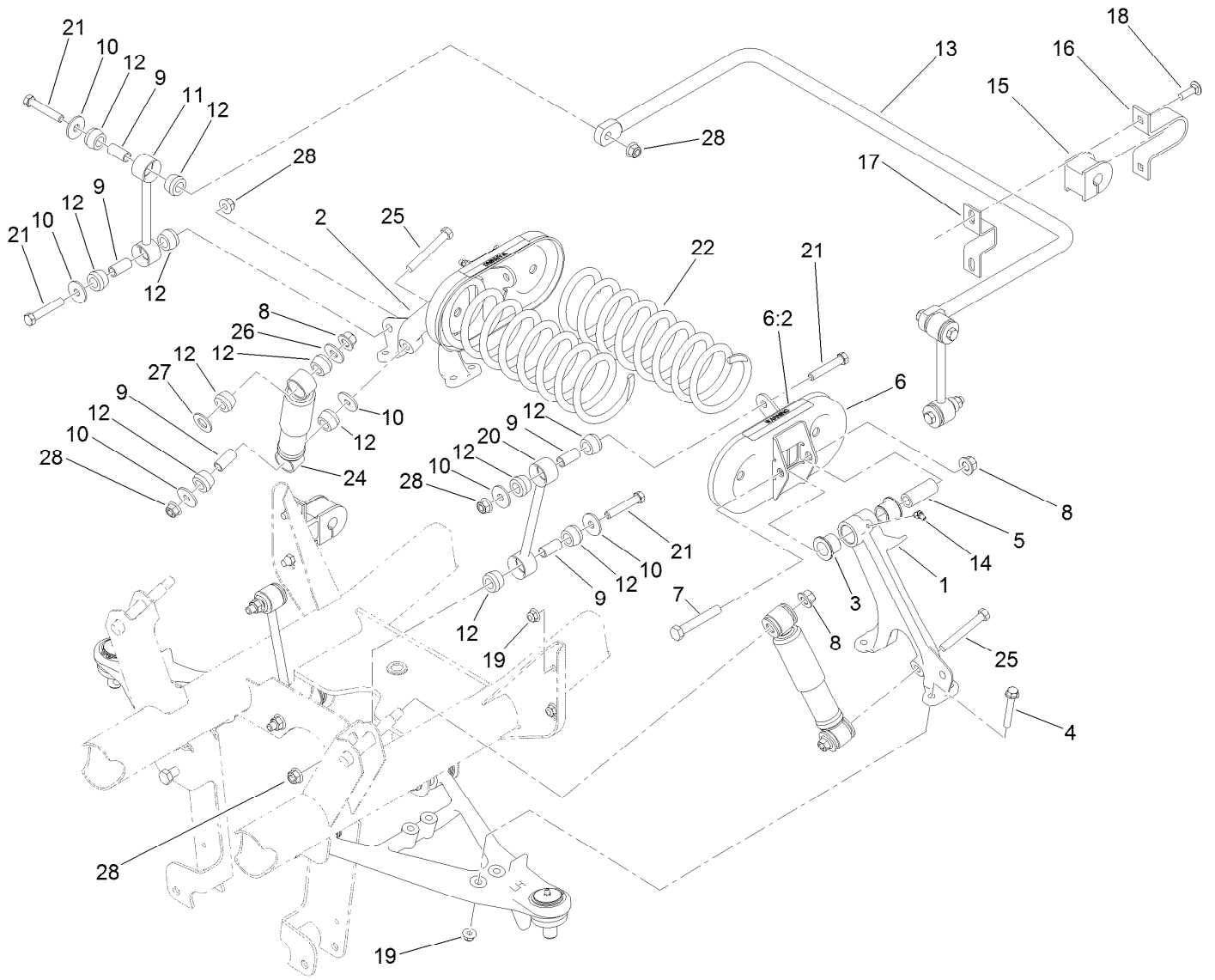
## Driveshaft Assembly No. 114-8367

<i>Ref.</i>	<i>Part Number</i>	<i>Qty.</i>	<i>Description</i>
1	98-2940	1	Yoke
2	92-4187	2	Cross And Bearing Kit
2:1	302-58	4	Fitting-Straight
2:2	92-4188	4	Ring-Snap
3	92-4179	1	Yoke-Tube, Shaft And Seal
3:1	302-5	1	Fitting-Grease
4	92-4180	1	Seal
5	115-2351	1	Yoke
6	92-4182	1	Yoke-Telescoping



## Front and Rear Brake Line Assembly

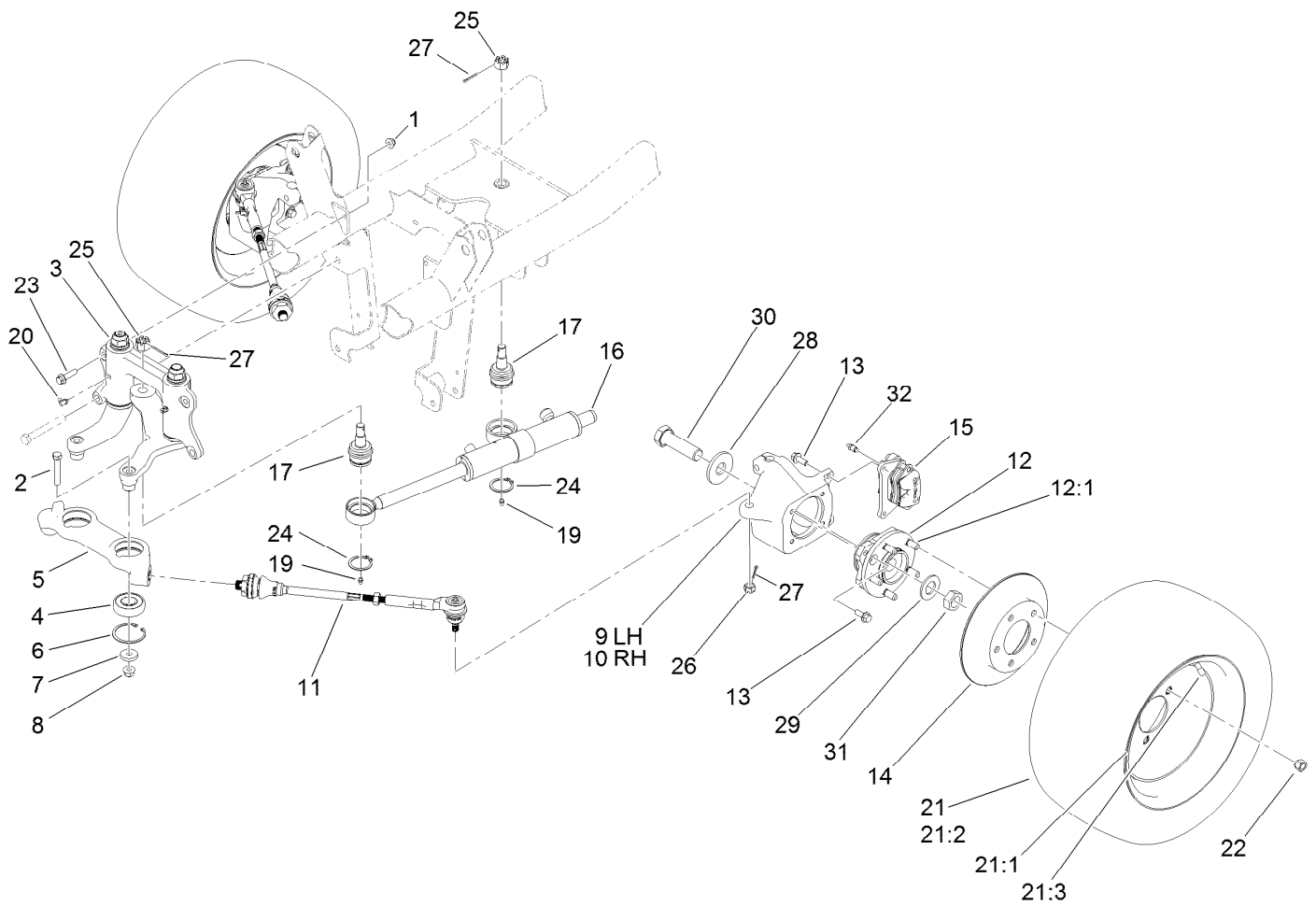
<i>Ref.</i>	<i>Part Number</i>	<i>Qty.</i>	<i>Description</i>
1	119-9682	1	Front Brake Line ASM
2	119-9681	1	Rear Brake Line ASM
3	32144-11	1	Screw-HWHTF
4	321-6	3	Screw-HH
5	104-7201	3	Nut-HF
6	3234-21	3	Screw-HHF
7	32128-33	3	Nut-HF
8	115-2341	8	Washer-Banjo
9	120-4875	4	Bolt-Flange, Banjo



## Front Suspension Assembly

<i>Ref.</i>	<i>Part Number</i>	<i>Qty.</i>	<i>Description</i>	<i>Ref.</i>	<i>Part Number</i>	<i>Qty.</i>	<i>Description</i>
1	87-0160	1	Tower-Control Arm, LH	14	302-11	2	Fitting-Lube, 45 DEG
2	87-0150	1	Tower-Control Arm, RH	15	87-3910	2	Bushing-Rubber
3	33-3090	4	Bushing	16	87-4010-03	2	Clamp-Bar, Sway
4	3234-39	8	Screw-HHF	17	87-3890-03	2	Bracket-Bar, Sway
5	87-2500	2	Sleeve-Spring, Pivot	18	3231-25	4	Bolt-CARR
6	105-7958	2	Spring Cradle ASM	19	104-8301	12	Nut-HF, NI
6:2	93-9879	1	Decal-Warning	20	106-2302-03	2	Link-Stabilizer
7	325-13	2	Screw-HH	21	324-10	8	Screw-HH
8	99-5107	4	Nut-Lock	22	105-4183-01	2	Spring-Compression
9	87-3600	10	Spacer-Absorber, Shock	24	87-3110	2	Absorber-Shock
10	87-5330	12	Washer	25	324-13	2	Screw-HH
11	87-3860-03	2	Link-Sway Bar, Anti	26	3256-6	2	Washer-Flat
12	87-3920	24	Bushing	27	3256-27	2	Washer-Flat
13	87-3850-03	1	Bar-Sway, Anti	28	114-8417	10	Nut-HF, NI

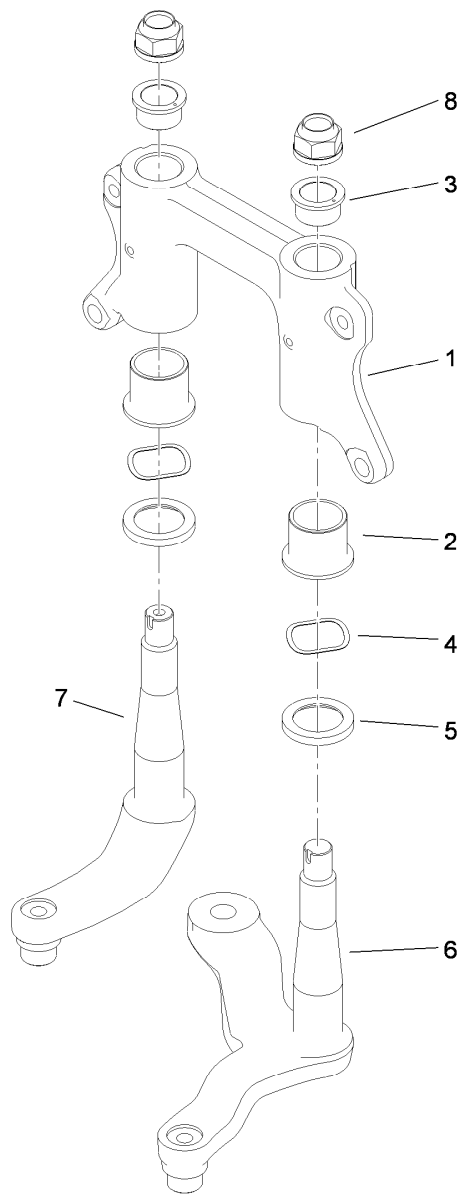




## Steering and Front Wheel Assembly

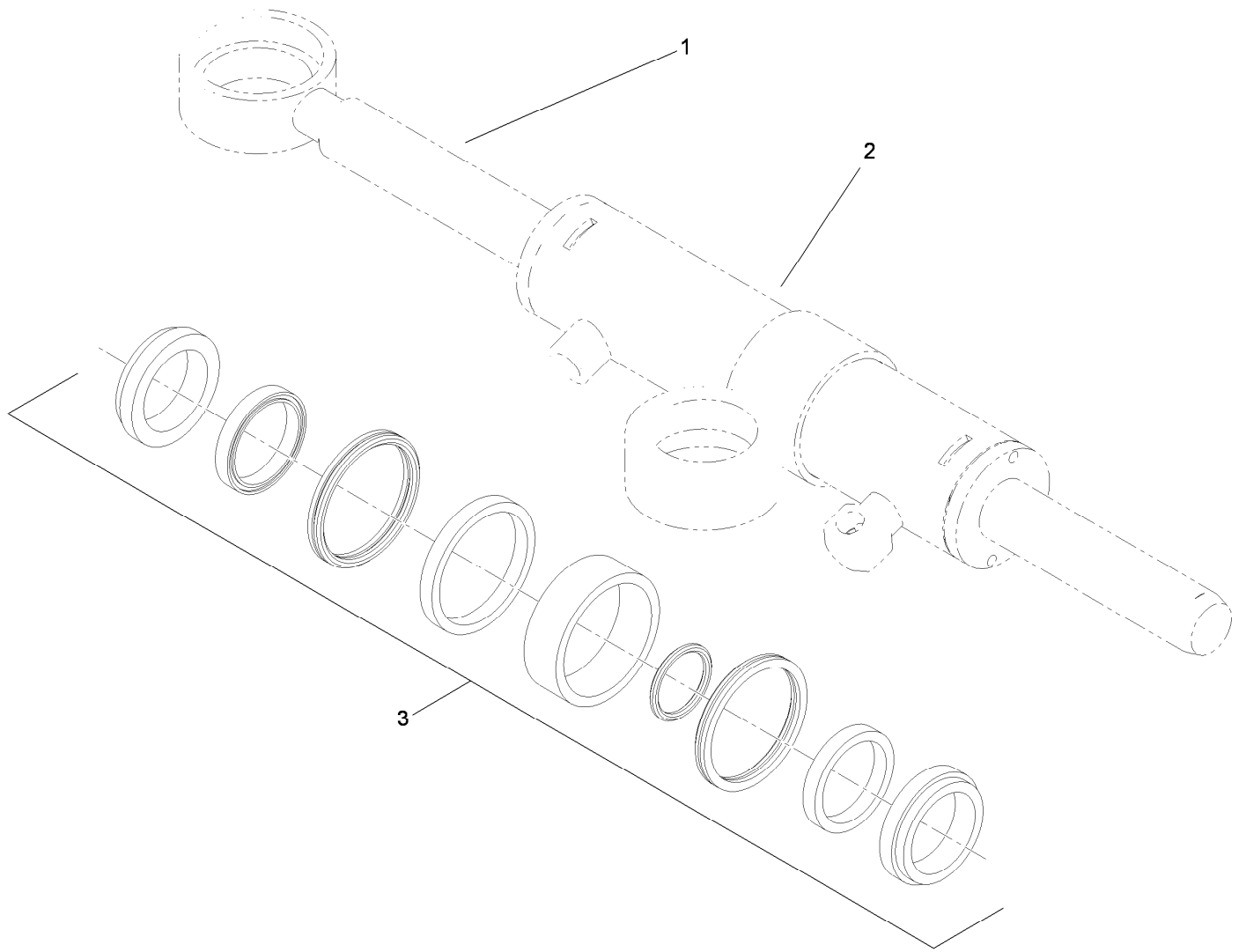
Ref.	Part Number	Qty.	Description	Ref.	Part Number	Qty.	Description
1	104-8301	2	Nut-HF, NI	19	302-5	2	Fitting-Grease
2	324-10	2	Screw-HH	20	302-60	2	Fitting-Grease
3		1	Steering Linkage ASM ●	21	120-4902	2	Tire And Wheel ASM
4	119-9548	2	Bearing-Ball	21:1	120-4901	1	Wheel
5	114-8296	1	Link-Center	21:2	114-8273	1	Tire
6	32120-22	2	Ring-Snap, Internal	21:3	232-27	1	Stem-Valve
7	112843	2	Washer	22	242-50	10	Nut-Lug
8	114-8417	2	Nut-HF, NI	23	114-4681	2	Screw-HHF
9	119-9513	1	Knuckle-LH	24	32151-104	2	Ring-Retaining, External
10	119-9514	1	Knuckle-RH	25	32136-14	2	Nut-Hst
11	114-8356	2	Tie Rod ASM	26	32136-3	2	Nut-SHH
12	112-3214	2	Wheel Hub ASM	27	3272-12	4	Pin-Cotter
12:1	114-8299	5	Stud-Wheel	28	104-0719	2	Washer-Hardened
13	3234-11	12	Screw-HHF	29	3256-62	2	Washer-Flat
14	114-8351	2	Rotor-Brake	30	115-2173	2	Screw-HH
15	119-9535	2	Brake Caliper ASM	31	3296-49	2	Nut-Lock, NI
16	112-3217	1	HYD Cylinder ASM	32	119-9509	2	Screw-Bleed
17	106-6774	2	Joint-Ball				

● Not serviced separately



## Steering Linkage Assembly

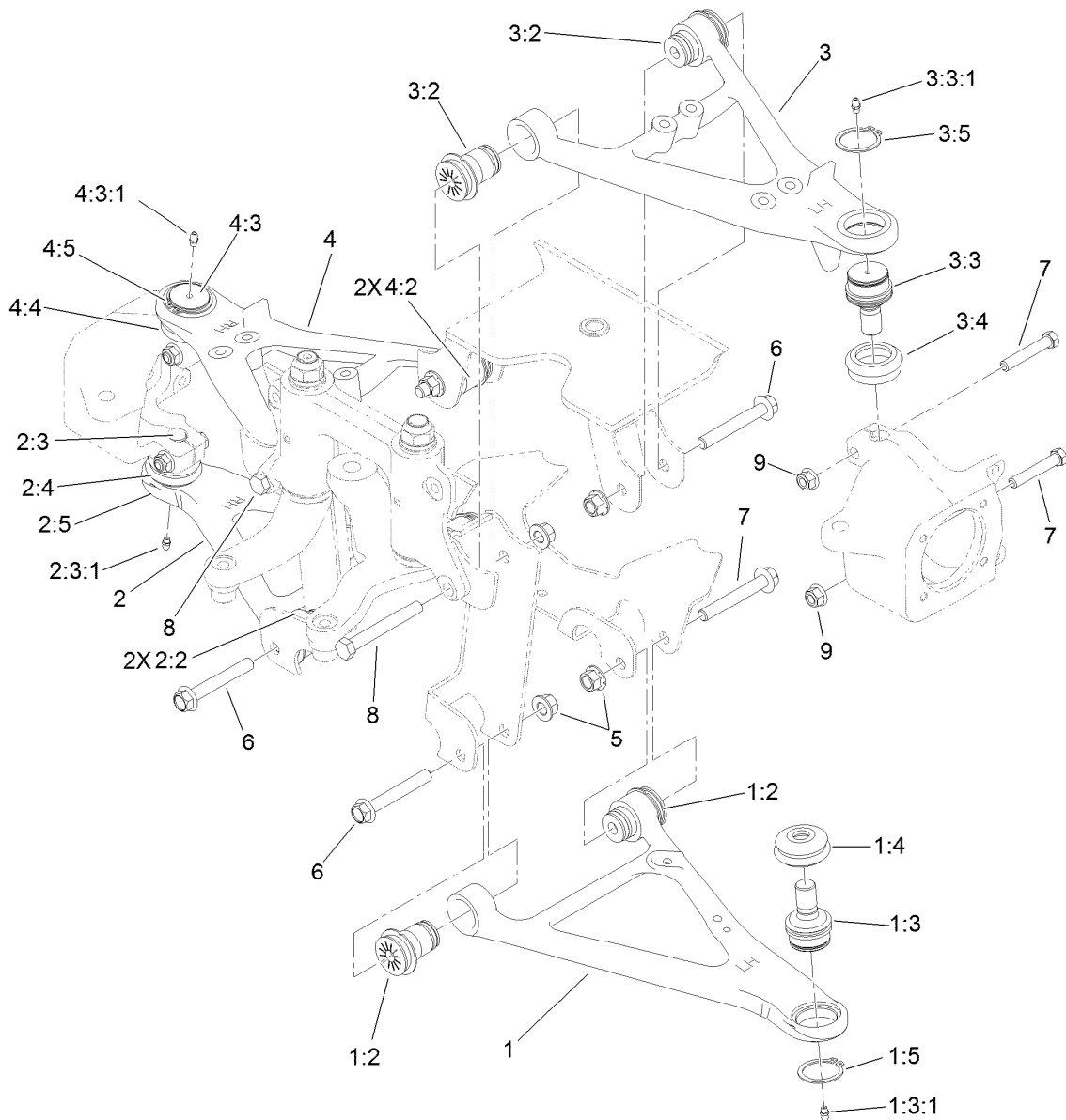
<i>Ref.</i>	<i>Part Number</i>	<i>Qty.</i>	<i>Description</i>
1	114-8389	1	Mount-Pivot
2	69-6470	2	Bushing-Cast
3	112-1626	2	Bushing-Flange
4	93-4632	2	Washer-Wavey
5	86-6560	2	Washer-Thrust
6	114-8256	1	Arm-Pitman
7	114-8298	1	Arm-Idler
8	115-2164	2	Nut-Spindle



## Hydraulic Cylinder Assembly No. 112-3217

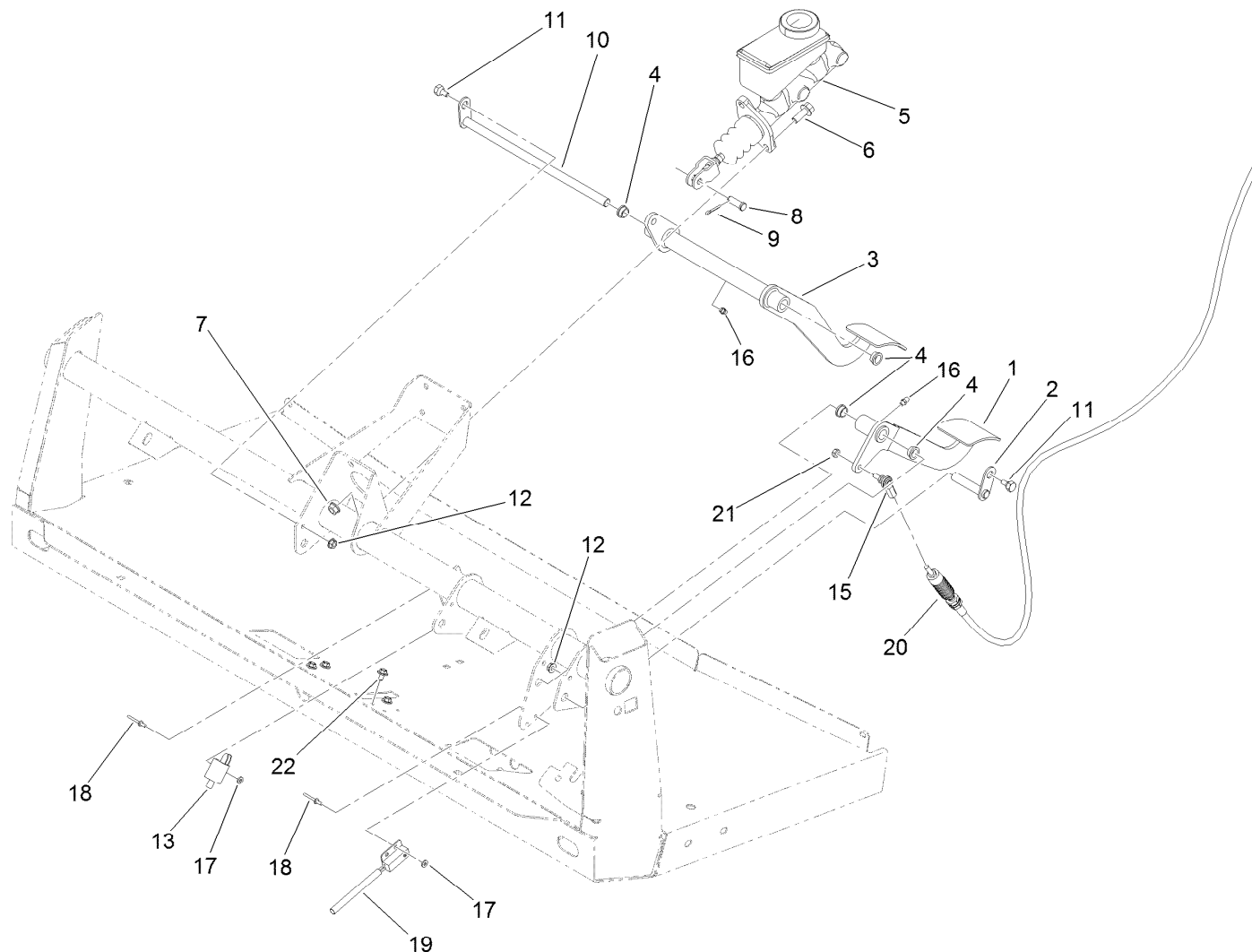
<i>Ref.</i>	<i>Part Number</i>	<i>Qty.</i>	<i>Description</i>
1		1	Rod-Cylinder ●
2		1	Body-Cylinder ●
3	115-2160	1	Cylinder Repair Kit

● Not serviced separately



## Front Control Arm Assembly

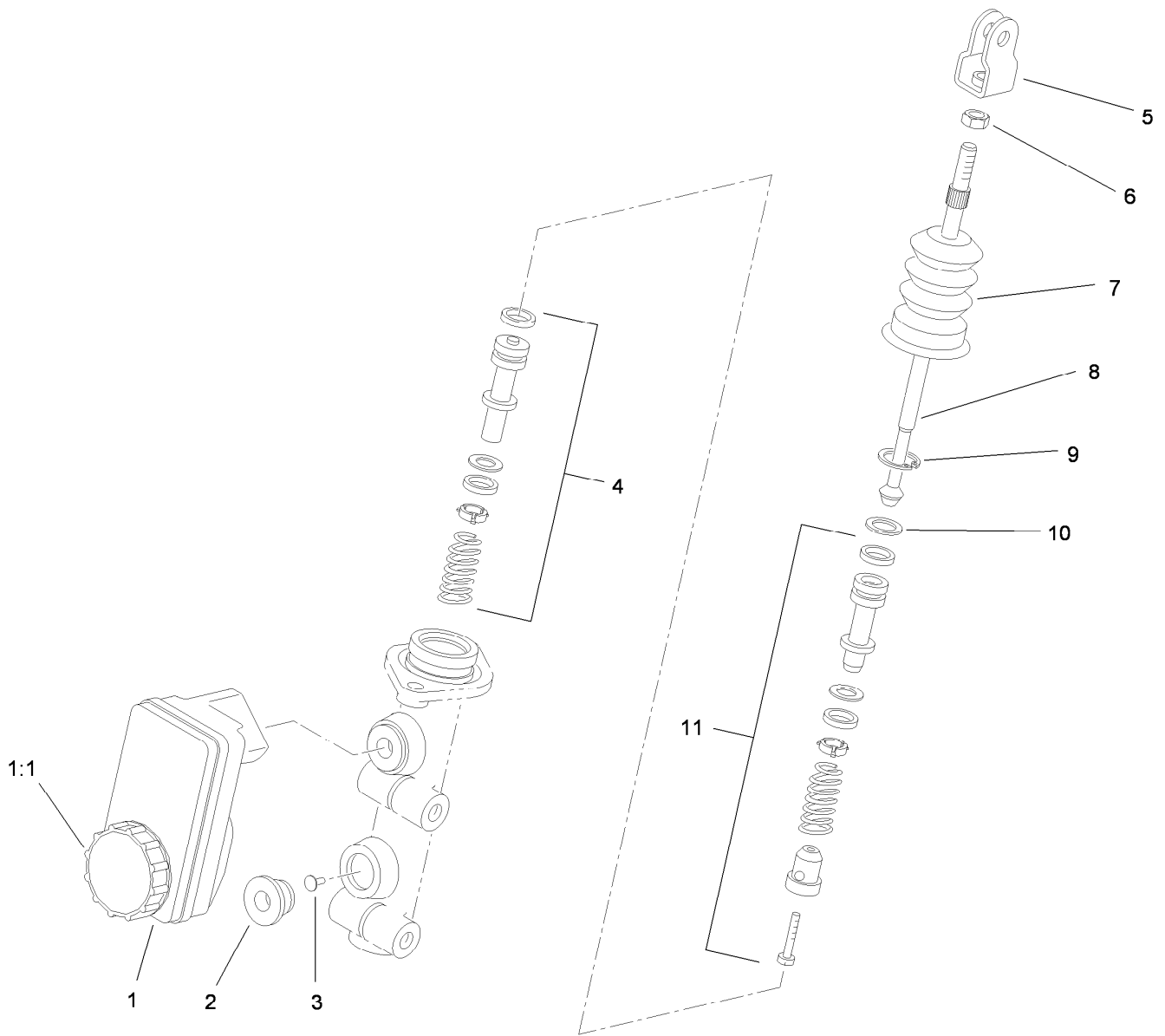
<i>Ref.</i>	<i>Part Number</i>	<i>Qty.</i>	<i>Description</i>	<i>Ref.</i>	<i>Part Number</i>	<i>Qty.</i>	<i>Description</i>
1	115-2405	1	Lower LH Control Arm ASM	3:3:1	302-5	1	Fitting-Grease
1:2	87-1450	2	Bushing-Flange	3:4	87-2420	1	Seal-Joint, Ball
1:3	115-2165	1	Ball Joint	3:5	32151-104	1	Ring-Retaining, External
1:3:1	302-5	1	Fitting-Grease	4	115-2406	1	Upper RH Control Arm ASM
1:4	87-2420	1	Seal-Joint, Ball	4:2	87-1450	2	Bushing-Flange
1:5	32151-104	1	Ring-Retaining, External	4:3	115-2165	1	Ball Joint
2	115-2407	1	Lower RH Control Arm ASM	4:3:1	302-5	1	Fitting-Grease
2:2	87-1450	2	Bushing-Flange	4:4	87-2420	1	Seal-Joint, Ball
2:3	115-2165	1	Ball Joint	4:5	32151-104	1	Ring-Retaining, External
2:3:1	302-5	1	Fitting-Grease	5	99-5107	8	Nut-Lock
2:4	87-2420	1	Seal-Joint, Ball	6	114-8419	6	Screw-HHF
2:5	32151-104	1	Ring-Retaining, External	7	324-10	4	Screw-HH
3	115-2404	1	Upper LH Control Arm ASM	8	325-17	2	Screw-HH
3:2	87-1450	2	Bushing-Flange	9	114-8417	4	Nut-HF, NI
3:3	115-2165	1	Ball Joint				



## Brake and Clutch Pedal Assembly

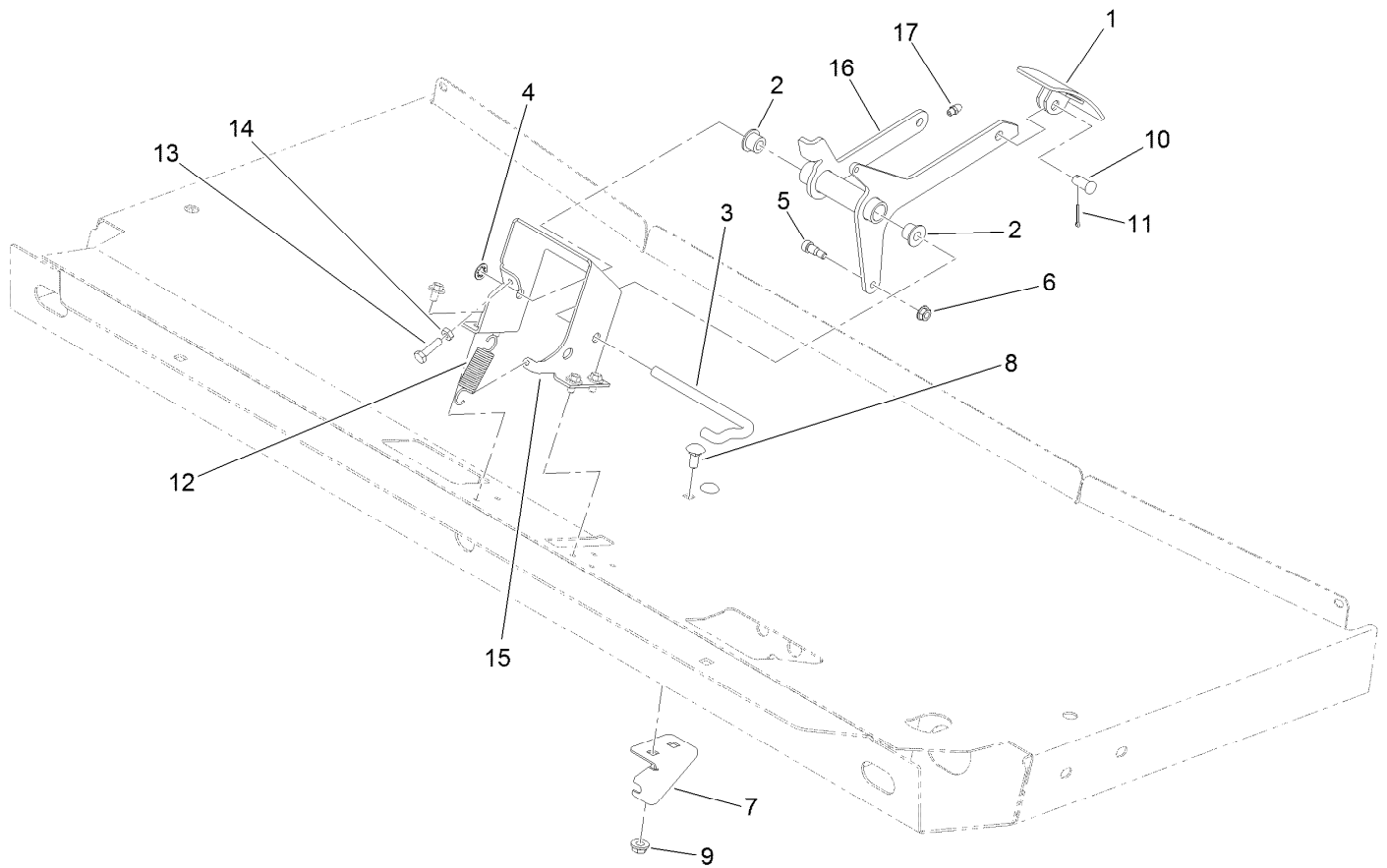
Ref.	Part Number	Qty.	Description
1	115-2271-03	1	Pedal-Clutch
2	115-2269	1	Pin-Pivot
3	120-5023-03	1	Pedal-Brake
4	256-156	4	Bushing-Flange
5	104-6782	1	Master Cylinder ASM
6	3234-11	2	Screw-HHF
7	3290-357	2	Nut-HHF, Whiz
8	283-2	1	Pin-Clevis
9	3272-10	1	Pin-Cotter
10	106-2475	1	Shaft-Brake
11	63-3410	2	Screw-Shoulder

Ref.	Part Number	Qty.	Description
12	32128-33	2	Nut-HF
13	95-1653	1	Switch-Pole, Single
15	110-2554	1	Rod End-Spherical
16	302-5	2	Fitting-Grease
17	3256-21	4	Washer-Flat
18	3269-25	4	Rivet-Pop
19	105-0023	1	Switch-Proximity
20	115-2284	1	Cable-Clutch
21	3296-13	1	Nut-Lock, NI
22	46-6810	4	Screw And Washer ASM



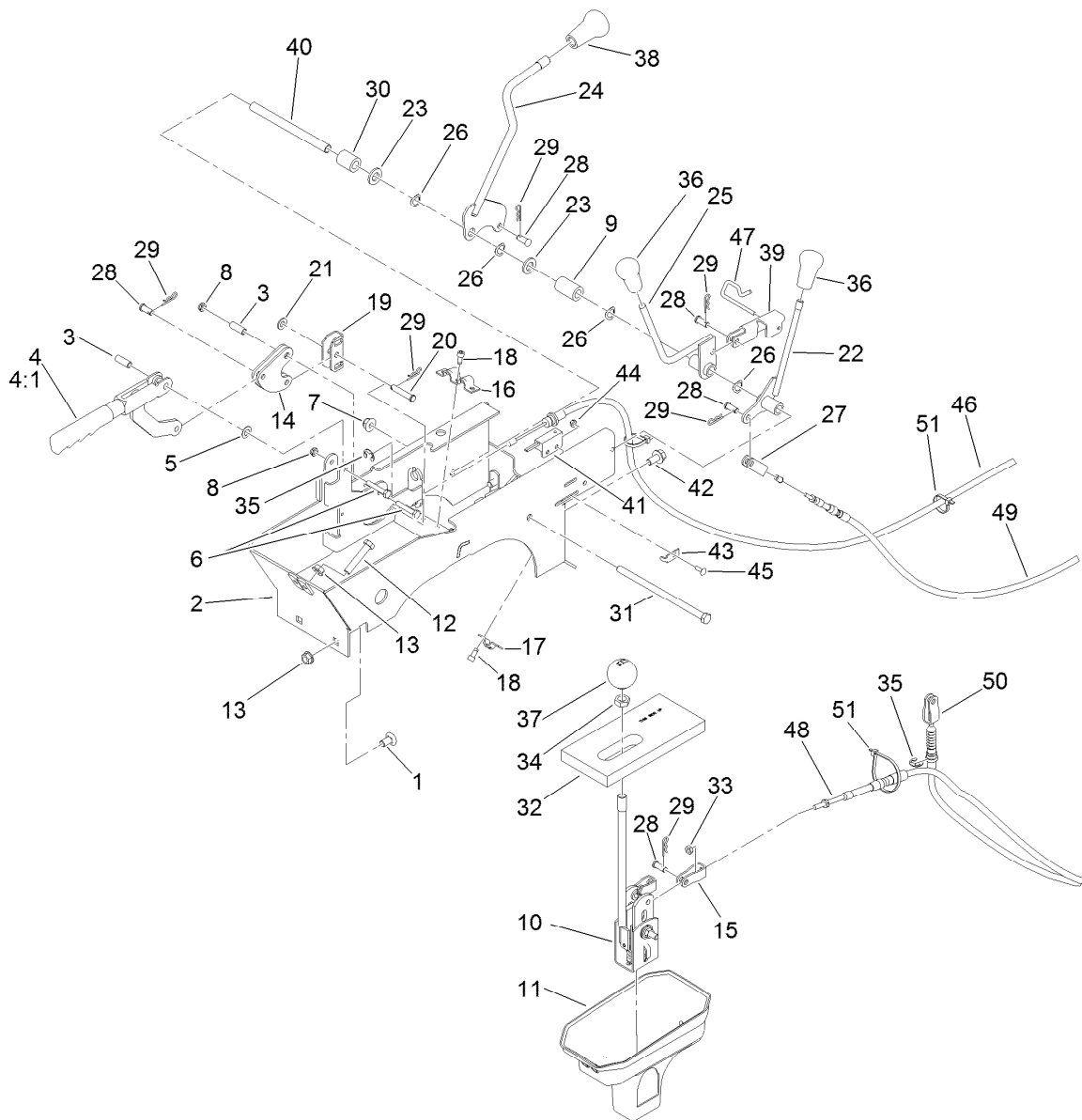
## Master Cylinder Assembly No. 104-6782

Ref.	Part Number	Qty.	Description
1	104-6845	1	Reservoir ASM
1:1	92-4112	1	Cap ASM
2	93-8971	2	Seal-Port, Flange
3	92-4103	1	Pin-Stop
4	92-4102	1	Secondary Piston ASM
5	92-4110	1	Clevis
6	21-0360	1	Nut-Hex
7	94-5209	1	Cover-Dust
8	94-5210	1	Rod-Push
9	92-4109	1	Ring-Snap
10	92-4108	1	Retainer-Washer
11	92-4101	1	Primary Piston ASM



## Accelerator Pedal Assembly

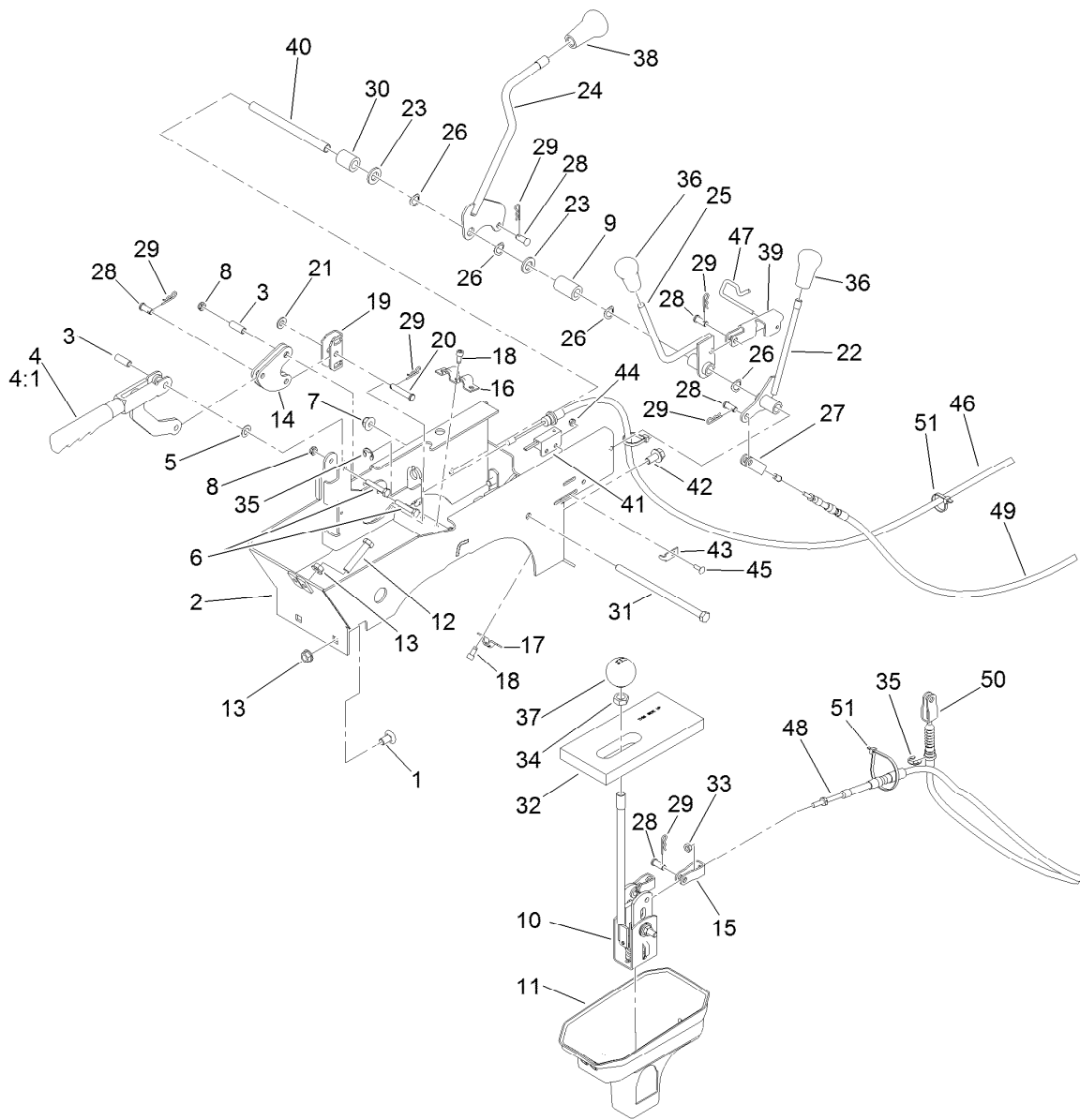
<i>Ref.</i>	<i>Part Number</i>	<i>Qty.</i>	<i>Description</i>	<i>Ref.</i>	<i>Part Number</i>	<i>Qty.</i>	<i>Description</i>
1	93-8969-03	1	Pedal	10	283-85	1	Pin-Clevis
2	256-259	2	Bushing-Flange	11	3272-6	1	Pin-Cotter
3	87-2880	1	Shaft-Pedal, Accelerator	12	67-1450	1	Spring-Idler
4	32151-56	1	Ring-Retaining, External	13	321-6	1	Screw-HH
5	119-4881	1	Bolt-Shoulder	14	3218-1	1	Nut-Jam
6	32128-33	1	Nut-HF	15	120-5082-03	1	Bracket-Mount, Pedal
7	120-4982	1	Bracket-Mount, Cable	16	120-4983-03	1	Pedal-Accelerator
8	3230-1	2	Bolt-CARR	17	302-5	1	Fitting-Grease
9	32128-20	2	Nut-HF				



## Console Assembly

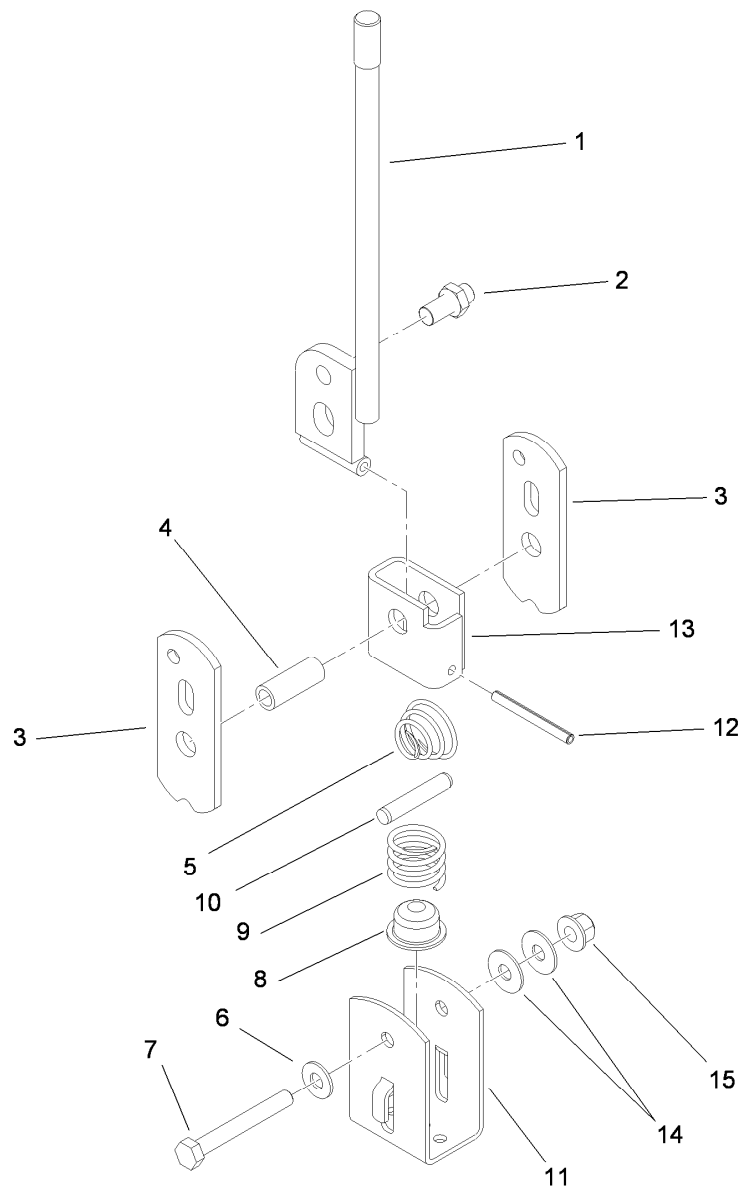
Ref.	Part Number	Qty.	Description	Ref.	Part Number	Qty.	Description
1	3231-21	2	Screw-CARR	20	94-3829	1	Pin-Clevis
2	108-6914-03	1	Support-Lever	21	3256-23	1	Washer-Plain
3	114402	2	Spacer	22	106-7828	1	Lever
4	104-6842	1	Lever-Brake, Park	23	33096-00	2	Washer-Flat
4:1	106-7972	1	Grip-Handle	24	112-3008	1	Lever-Lock, Differential
5	3290-477	1	Washer-Curved	25	106-7960	1	Lever-HYD
6	321-9	2	Screw-HH	26	3290-221	4	Washer-Spring
7	104-8301	1	Nut-HF, NI	27	87-7160	1	Clevis-Cable
8	3296-56	2	Nut-Lock, NI	28	283-62	6	Pin-Clevis
9	120-5037	1	Spacer	29	3290-307	7	Pin-Cotter
10	106-7887	1	Shift ASM	30	66-6501	1	Spacer-Wheel
11	106-2376	1	Boot-Shift, Lower	31	323-36	1	Screw-HH
12	323-10	2	Screw-HH	32	87-6570	1	Seal-Boot, Lower
13	3290-357	4	Nut-HHF, Whiz	33	3220-1	2	Nut-Jam
14	106-7814	2	Bellcrank	34	3218-18	1	Nut-Jam
15	87-2310	2	Clevis-Cable	35	32120-47	3	Ring-Retaining, External
16	87-4960	1	Clamp-Cable	36	106-7903	2	Knob-Control
17	87-4340	1	Clamp-Cable	37	87-6720	1	Knob-Shift
18	65-5220	5	Screw-HSH, Thread Forming	38	106-7952	1	Knob
19	87-3480	1	Bracket-Equalizer, Cable	39	115-2250	1	Link
				40	106-7833	1	Spacer





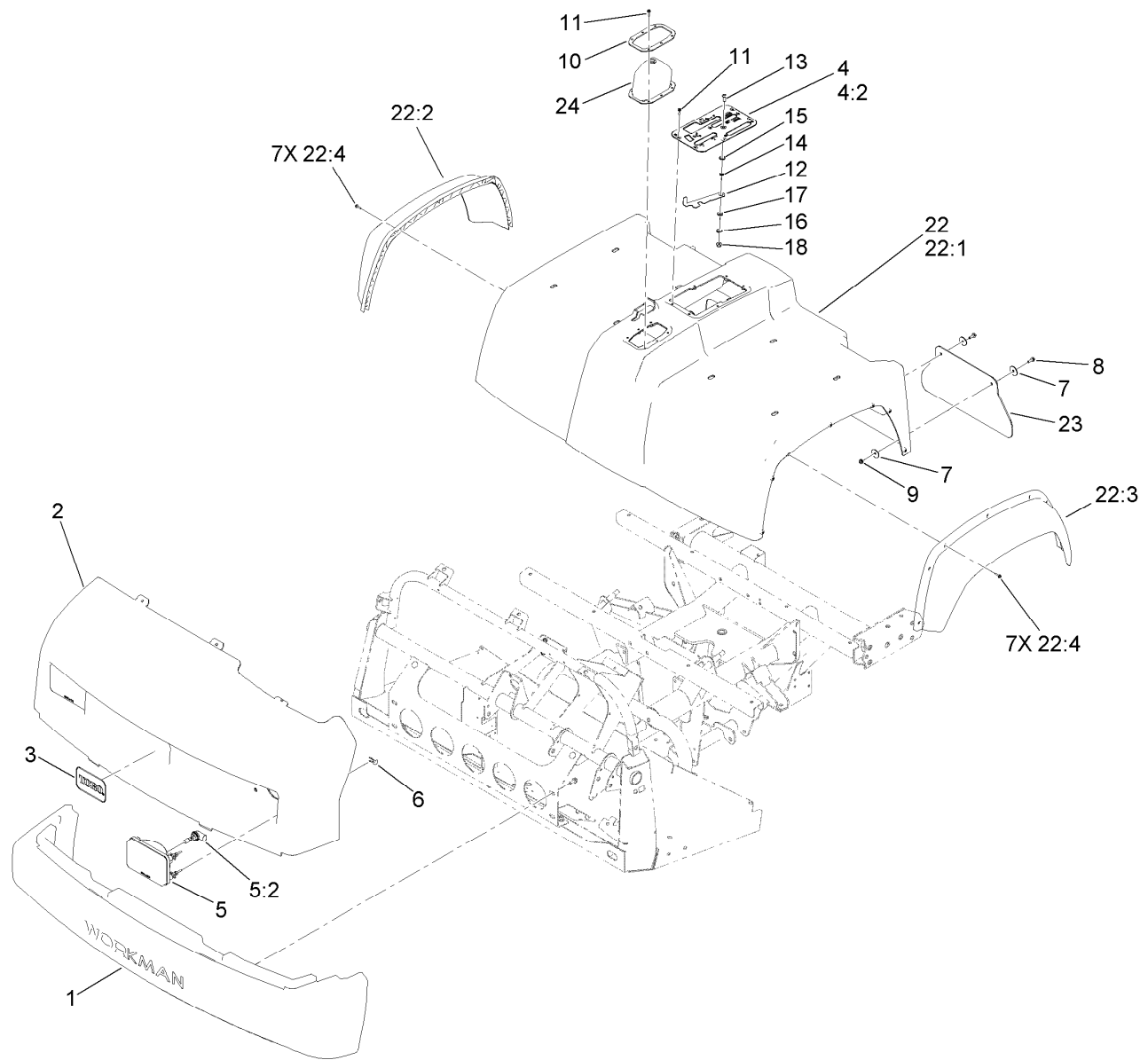
## Console Assembly (continued)

<i>Ref.</i>	<i>Part Number</i>	<i>Qty.</i>	<i>Description</i>	<i>Ref.</i>	<i>Part Number</i>	<i>Qty.</i>	<i>Description</i>
41	100-1270	1	Switch-Proximity	47	115-2350	1	Pin-Retainer
42	3234-12	2	Screw-HHF	48	115-7811	2	Cable-Selector, Gear
43	100-4872	1	Plate-Switch, Neutral	49	115-7812	1	Cable-Hi Low
44	3296-12	1	Nut-Lock, NI	50	115-2287	1	Cable-Lock, Differential
45	3229-34	1	Screw-CARR	51	3290-379	5	Tie-Cable
46	115-2283	2	Cable-Brake, Park				



## Shift Assembly No. 106-7887

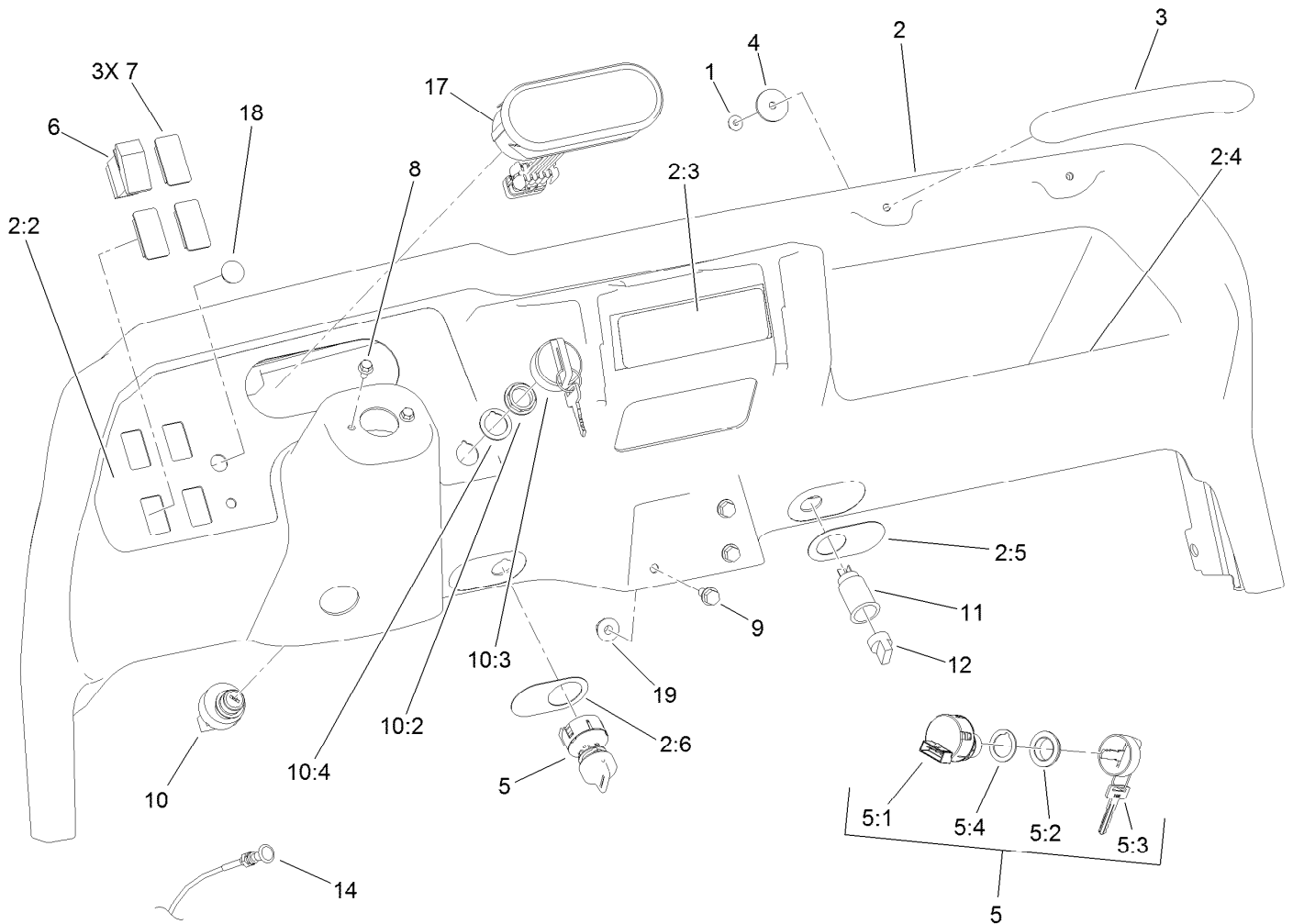
<i>Ref.</i>	<i>Part Number</i>	<i>Qty.</i>	<i>Description</i>
1	87-2040	1	Lever-Shift
2	87-3650	1	Pin-Shift
3	87-3540	2	Link-Shift
4	87-2520	1	Tube-Pivot
5	87-2900	1	Spring-Compression
6	87-8640	1	Washer-Flat
7	322-12	1	Screw-HH
8	87-3530	1	Button-Shifter
9	87-3660	1	Spring-Compression
10	3290-507	1	Pin-Dowel
11	87-3520	1	Clevis
12	32121-48	1	Pin-Spring
13	87-6040	1	Bracket-Shifter
14	3290-456	2	Washer-Belleville
15	104-8300	1	Nut-HF, NI



## Bumper, Hood and Seat Base Assembly

Ref.	Part Number	Qty.	Description	Ref.	Part Number	Qty.	Description
1	112-3185	1	Bumper	13	3274-55	1	Screw-HSBH
2	112-3183	1	Hood	14	82-4240	1	Spacer-Bearing
3	117-4950	1	Decal	15	94-8196	1	Washer-Nylon
4	106-7886	1	Control Plate ASM	16	3290-221	1	Washer-Spring
4:2	106-2377	1	Decal-Console	17	3256-23	1	Washer-Plain
5	114-8322	2	Headlight ASM	18	104-8300	1	Nut-HF, NI
5:2	115-2395	1	Bulb-Light	22		1	Seat Base ASM ●
6	114-8341	6	Clip	22:1	114-8406	1	Base-Seat
7	3256-55	8	Washer-Flat	22:2	114-8407	1	Fender-Front, RH
8	3234-4	4	Screw-HHF	22:3	114-8408	1	Fender-Front, LH
9	104-7201	4	Nut-HF	22:4	117-5036	14	Screw-HWH
10	87-3760-03	1	Plate-Boot, Shift	23	106-2378	2	Mudflap
11	98-1375	12	Screw-HWH	24	87-8620	1	Boot-Shift
12	106-7984	1	Lever-Detent				

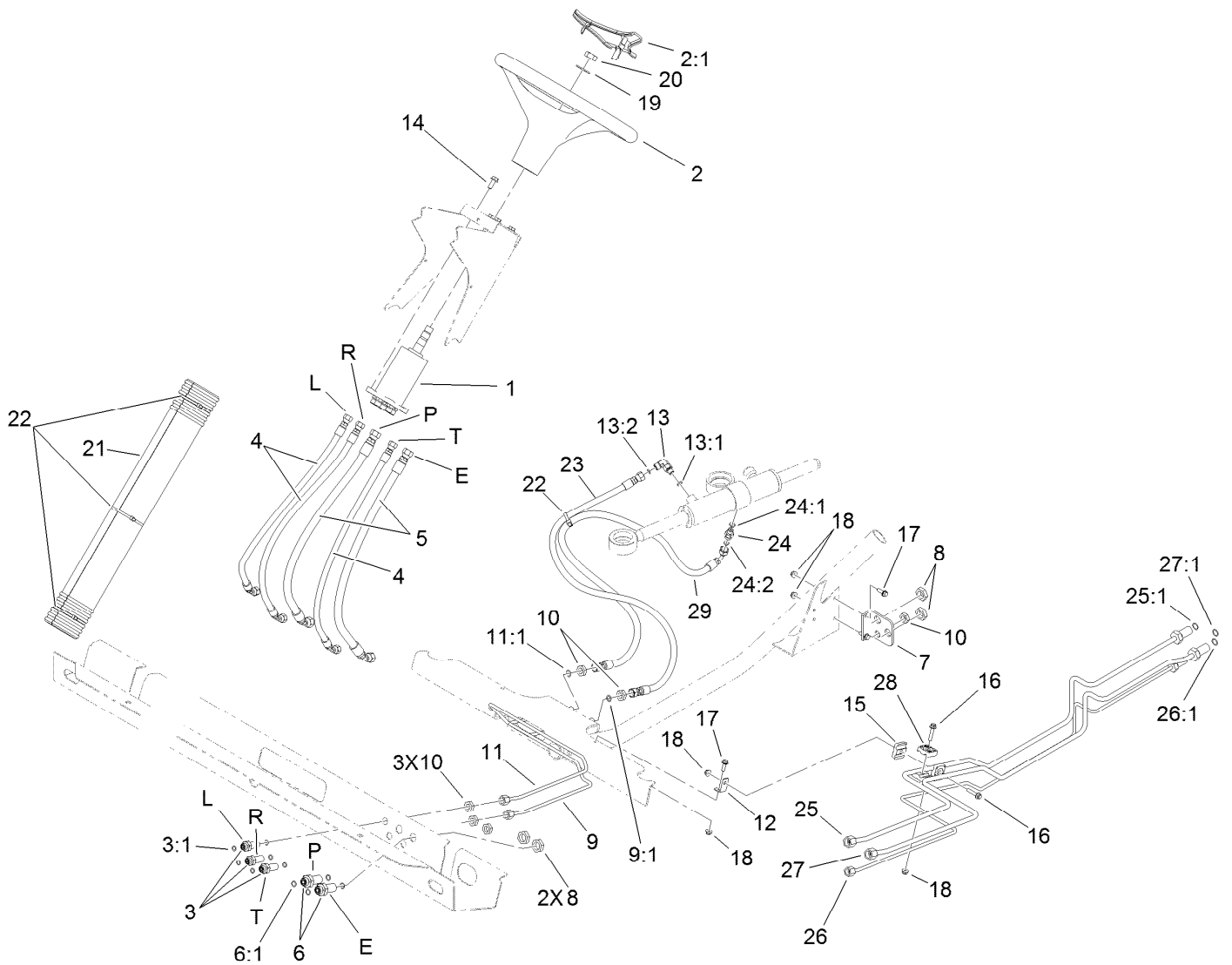
● Not serviced separately



## Dash Assembly

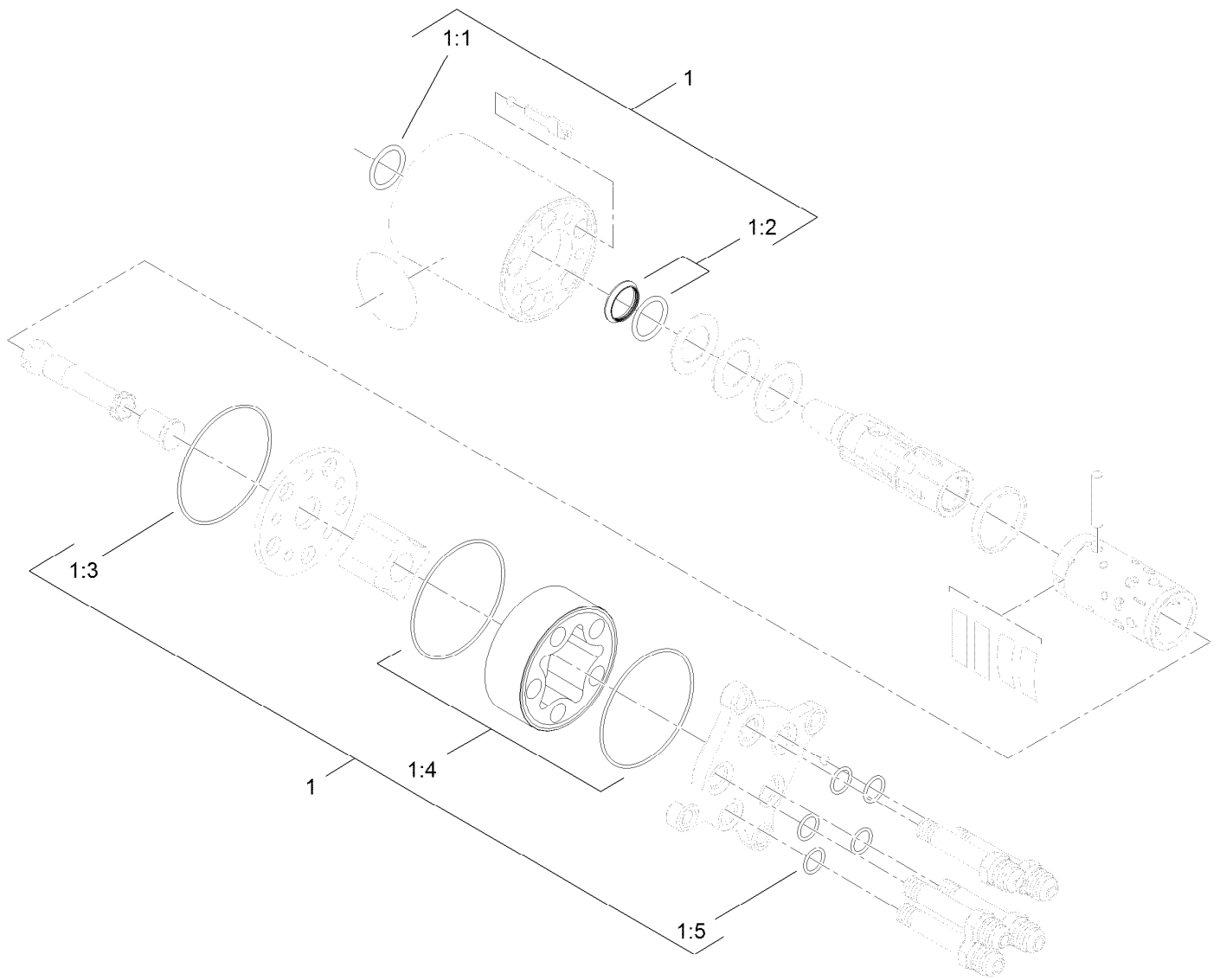
Ref.	Part Number	Qty.	Description	Ref.	Part Number	Qty.	Description
1	104-7201	2	Nut-HF	6	95-8999	1	Switch
2	115-7912	1	Dash ASM	7	99-7420	3	Plug-Hole
2:2	115-2281	1	Decal-Dash	8	33103-012	2	Screw-HHF
2:3	115-7746	1	Decal-Danger	9	3234-5	3	Screw-HHF
2:4	115-2282	1	Decal-Warning, Dash	10	106-5269	1	Ignition Switch ASM
2:5	106-2353	1	Decal-Powerpoint	10:2	108-8660	1	Nut-Mounting
2:6	106-2355	1	Decal-Switch, Supervisor	10:3	106-5270	1	Ignition Key Set
3	117-4948	1	Handle-Grab	10:4	108-8659	1	Washer-Backup
4	103995	2	Washer	11	99-7411	1	Point-Power
5	110-2580	1	Switch-Key, Supervisor	12	99-7416	1	Cap
5:1		1	Switch-Key ●	14	106-7943	1	Cable-Control, Choke
5:2	108-8660	1	Nut-Mounting	17	114-8300	1	Cluster-Instrument
5:3	110-5221	1	Set-Key, Supervisor	18	94-5627	1	Plug
5:4	108-8659	1	Washer-Backup	19	104-8300	3	Nut-HF, NI

● Not serviced separately



## Steering Hydraulic Assembly

Ref.	Part Number	Qty.	Description	Ref.	Part Number	Qty.	Description
1	120-4813	1	Pump-Steering	15	106-7839	2	Clamp-Tube
2	98-1471	1	Wheel-Steering	16	3234-21	2	Screw-HHF
2:1	98-1468	1	Cover-Wheel, Steering	17	3234-4	3	Screw-HHF
3	94-1444	3	Union-Bulkhead	18	104-7201	5	Nut-HF
3:1	237-21	2	O-Ring	19	3256-27	1	Washer-Flat
4	106-7974	3	Hose-HYD	20	3296-33	1	Nut-Lock, NI
5	106-7975	2	Hose-HYD	21	106-6713	1	Cover-Lines, Steering
6	340-71	2	Fitting-Straight, Bulkhead	22	3290-379	4	Tie-Cable
6:1	237-22	2	O-Ring	23	108-6505	1	Hose ASM
7	106-7801-03	1	Bracket-Line, Steering	24	340-92	1	Fitting-Straight
8	340-70	4	Nut-Lock	24:1	237-78	1	O-Ring
9	106-7804	1	Tube-HYD	24:2	237-21	1	O-Ring
9:1	237-21	1	O-Ring	25	115-7701	1	Tube-HYD
10	3219-10	6	Nut-Hex	25:1	237-22	1	O-Ring
11	106-7806	1	Tube-HYD	26	115-7702	1	Tube-HYD
11:1	237-21	1	O-Ring	26:1	237-22	1	O-Ring
12	106-7807	1	Bracket-Line, Steering	27	115-7703	1	Tube-HYD
13	340-132	1	Fitting-90 DEG	27:1	237-21	1	O-Ring
13:1	237-78	1	O-Ring	28	56-7973	2	Clamp-Tube
13:2	237-21	1	O-Ring	29	117-4861	1	Hose-HYD
14	98-7977	4	Screw-HHF				

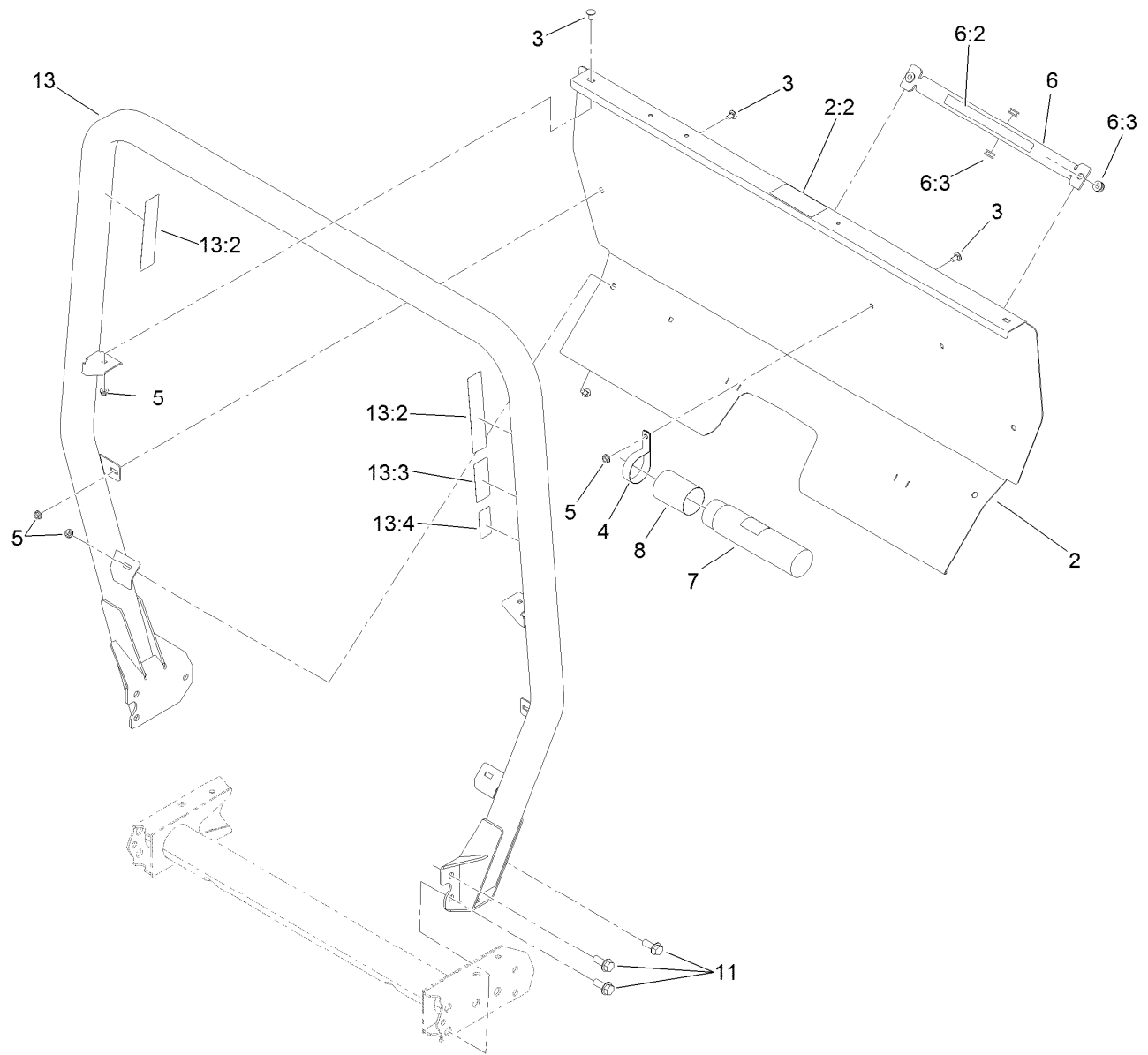


## Steering Valve Assembly No. 120-4813

<i>Ref.</i>	<i>Part Number</i>	<i>Qty.</i>	<i>Description</i>
1	106-6716	1	Seal Kit
1:1		1	Ring-Seal, Dust ●
1:2		1	Seal-Shaft ●
1:3		1	O-Ring ●
1:4		2	O-Ring ●
1:5		5	O-Ring ●

● Not serviced separately

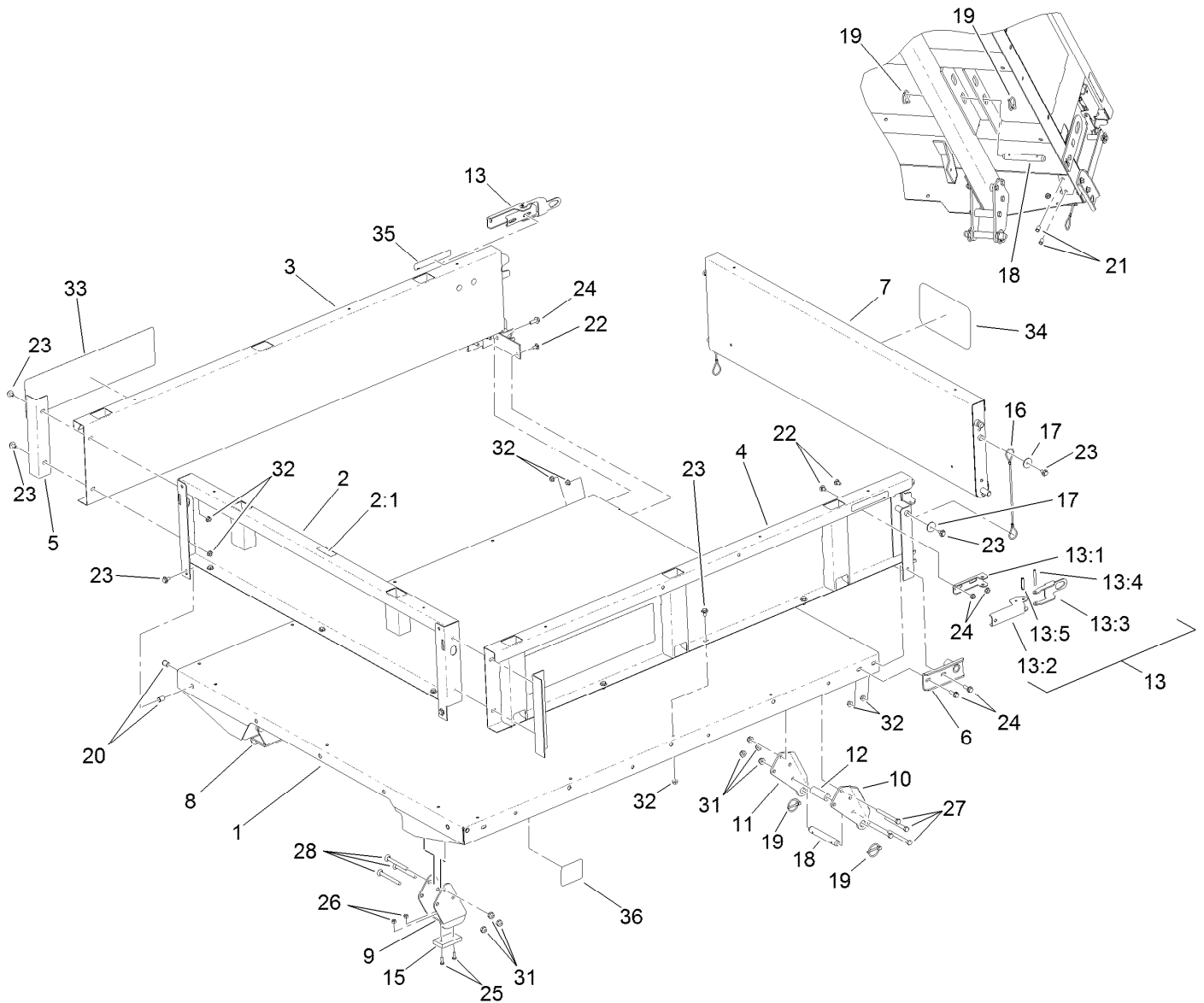




## Roll-Over Protection System Assembly

<i>Ref.</i>	<i>Part Number</i>	<i>Qty.</i>	<i>Description</i>
2	115-2213	1	ROPS Cover ASM
2:2	105-4215	1	Decal-Caution
3	3230-18	8	Screw-CARR
4	2412-133	2	Clamp-R
5	32128-20	8	Nut-HF
6	105-7960	1	Bed Support ASM
6:2	93-9852	1	Decal-Warning
6:3	92-5972	4	Grommet-Rubber
7	104-7050	1	Tube-Manual
8	104-7048	1	Cap-Housing
11	3234-38	6	Screw-HHF
13	115-7910	1	ROPS ASM
13:2	106-7767	2	Decal-ROPS
13:3	93-9850	1	Decal-ROPS, CE
13:4	117-4969	1	Decal-ROPS, ISO

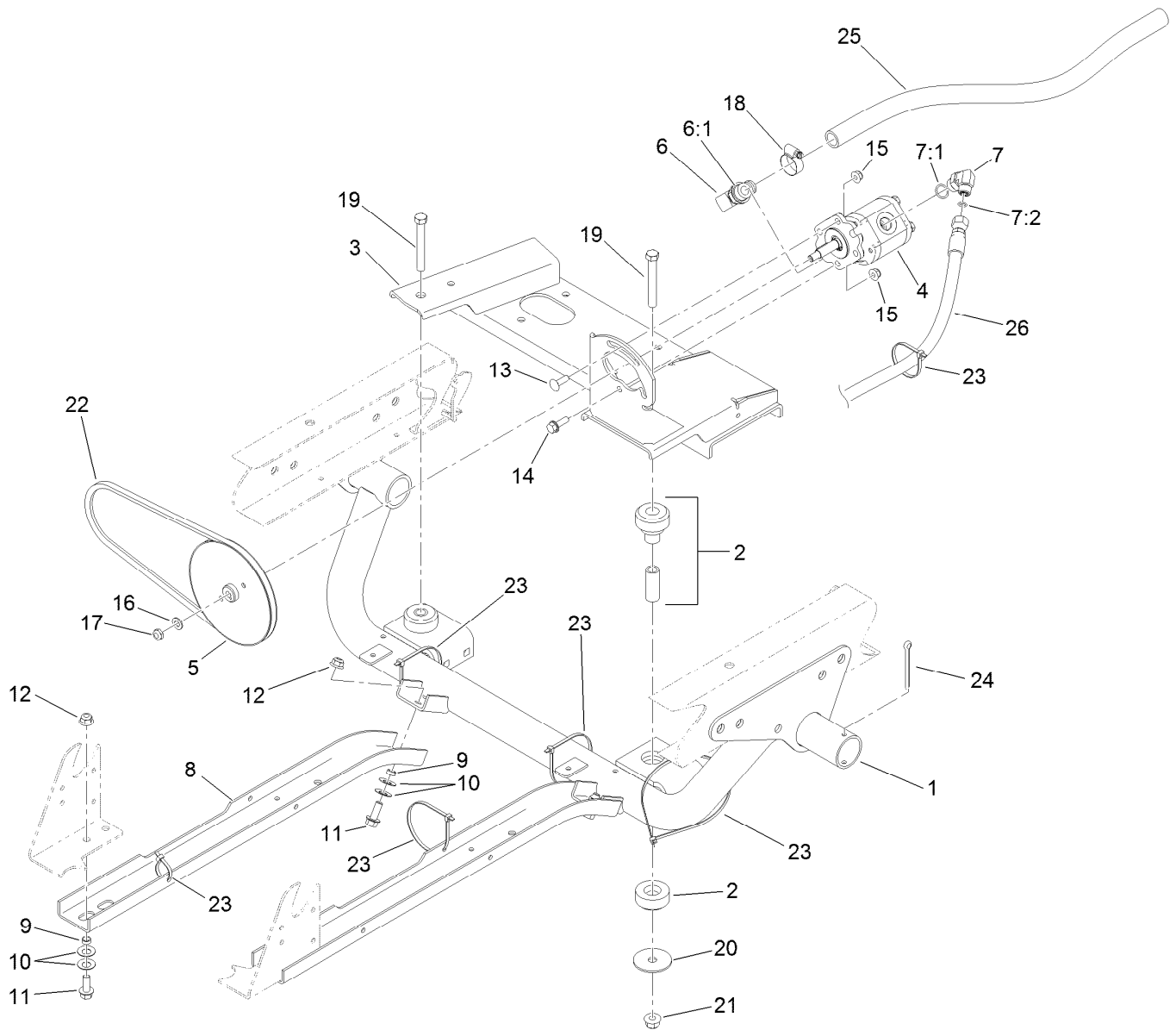




## Full Bed and Side Panel Assembly

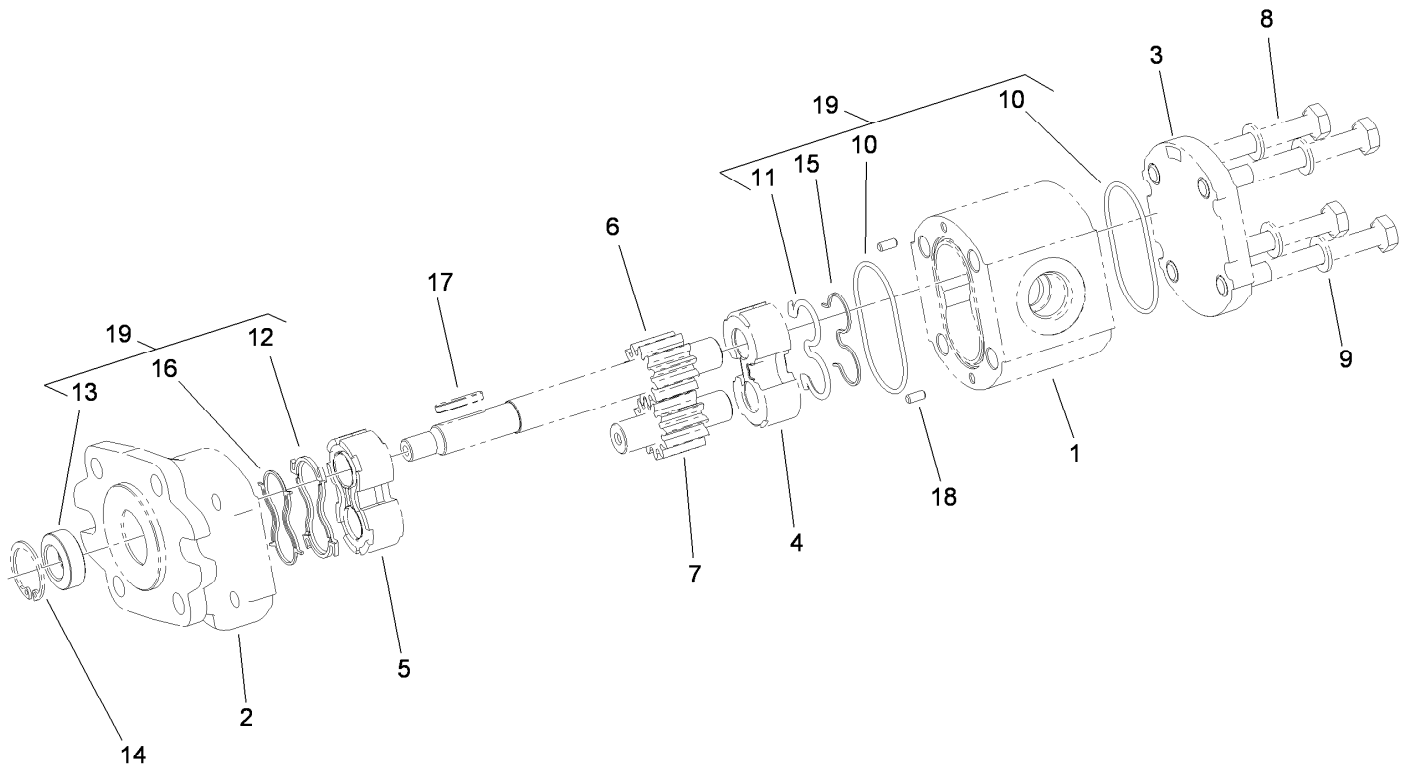
Ref.	Part Number	Qty.	Description
1	93-9724-03	1	Flatbed-Full
2	92-5982	1	Front Panel ASM
2:1	115-7739	1	Decal-No Riders
3	92-1255-03	1	Panel-Side, RH
4	92-1248-03	1	Panel-Side, LH
5	92-1320-03	2	Angle-Side
6	92-1265-03	2	Bracket-Pivot
7	92-1259-03	1	Tailgate-Rear
8	106-2423-03	1	Bracket-Spacer, RH
9	106-2422-03	1	Bracket-Spacer, LH
10	93-9720-03	2	Bracket-Pivot, Long (LH)
11	93-9721-03	2	Bracket-Pivot, Long (RH)
12	93-9575	2	Tube-Pivot, Flatbed
13	99-1123	2	Latch ASM
13:1	92-1271	1	Pivot-Latch
13:2	99-1113	1	Handle-Latch
13:3	99-1112	1	Plate-Retainer
13:4	32121-78	1	Pin-Roll
13:5	32121-25	1	Pin-Roll
15	93-9719	2	Block-Wear

Ref.	Part Number	Qty.	Description
16	93-9595	2	Lanyard
17	3256-57	4	Washer-Flat
18	92-1233	4	Pin-Clevis
19	92-1298	8	Pin-Lynch
20	32148-7	4	Nut-Insert
21	32148-6	4	Insert-Nut
22	3230-18	6	Screw-CARR
23	3234-7	21	Screw-HHF
24	3234-29	6	Screw-HHF
25	3250-45	4	Screw-SPH
26	3296-42	4	Nut-Lock, NI
27	323-42	8	Screw-HH
28	3231-24	6	Screw-CARR
31	3296-44	14	Nut-Lock, NI
32	32128-20	27	Nut-HF
33	115-7913	2	Decal
34	105-4222	1	Decal
35	93-9868	2	Decal-Caution
36	93-9899	2	Decal-Warning



## Engine Sub Frame Assembly

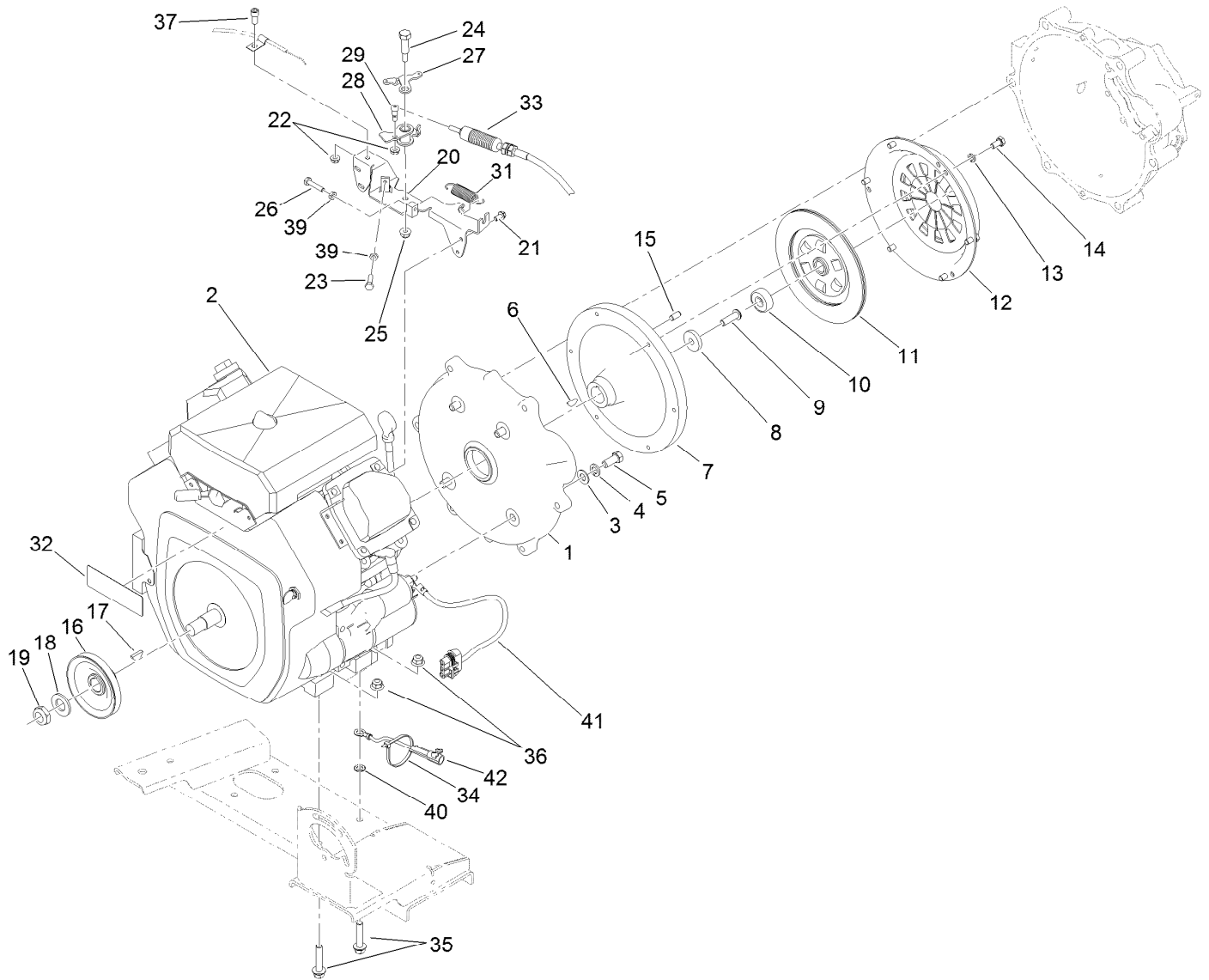
<i>Ref.</i>	<i>Part Number</i>	<i>Qty.</i>	<i>Description</i>	<i>Ref.</i>	<i>Part Number</i>	<i>Qty.</i>	<i>Description</i>
1	115-2257-03	1	Engine Support ASM	13	3230-22	1	Screw-CARR
2	106-7865	2	Mount-Engine	14	3234-29	1	Screw-HHF
3	115-2352-03	1	Engine Mount ASM	15	104-8300	2	Nut-HF, NI
4	112-2983	1	Pump-Gear, Hydraulic	16	3256-45	1	Washer-Flat
5	87-7740	1	Pulley	17	3296-5	1	Nut-Hex
6	87-8170	1	Fitting	18	2412-129	1	Clamp-Hose
6:1	237-80	1	O-Ring	19	324-13	2	Screw-HH
7	340-18	1	Fitting-HYD, 90 DEG	20	87-5100	2	Washer-Snubbing
7:1	237-79	1	O-Ring	21	114-8417	2	Nut-HF, NI
7:2	237-22	1	O-Ring	22	87-8370	1	V-Belt
8	87-4730-03	2	Guard-Belly	23	3290-379	6	Tie-Cable
9	76-9100	6	Spacer	24	3272-37	2	Pin-Cotter
10	3290-413	12	Washer-Belleville	25	87-8030	1	Hose-Suction
11	3234-11	6	Screw-HHF	26	121-6283	1	Hose ASM
12	104-8301	6	Nut-HF, NI				



## Hydraulic Gear Pump Assembly No. 112-2983

Ref.	Part Number	Qty.	Description	Ref.	Part Number	Qty.	Description
1		1	Body ●	11		1	Seal ●
2		1	Cover-Front ●	12		1	Seal-Upper ●
3		1	Cover-Rear ●	13		1	Seal-Shaft ●
4		1	Plate-Thrust ●	14		1	Ring-Clip ●
5		1	Plate-Thrust, Upper ●	15		1	Seal-Extrusion, Anti ●
6		1	Shaft-Drive ●	16		1	Seal-Extrusion, Anti ●
7		1	Gear-Driven ●	17	115-7856	1	Key-Square
8		4	Screw-HH ●	18		1	Pin-Dowel ●
9		4	Washer ●	19	112-0199	1	Seal Kit
10		2	O-Ring Seal ●				

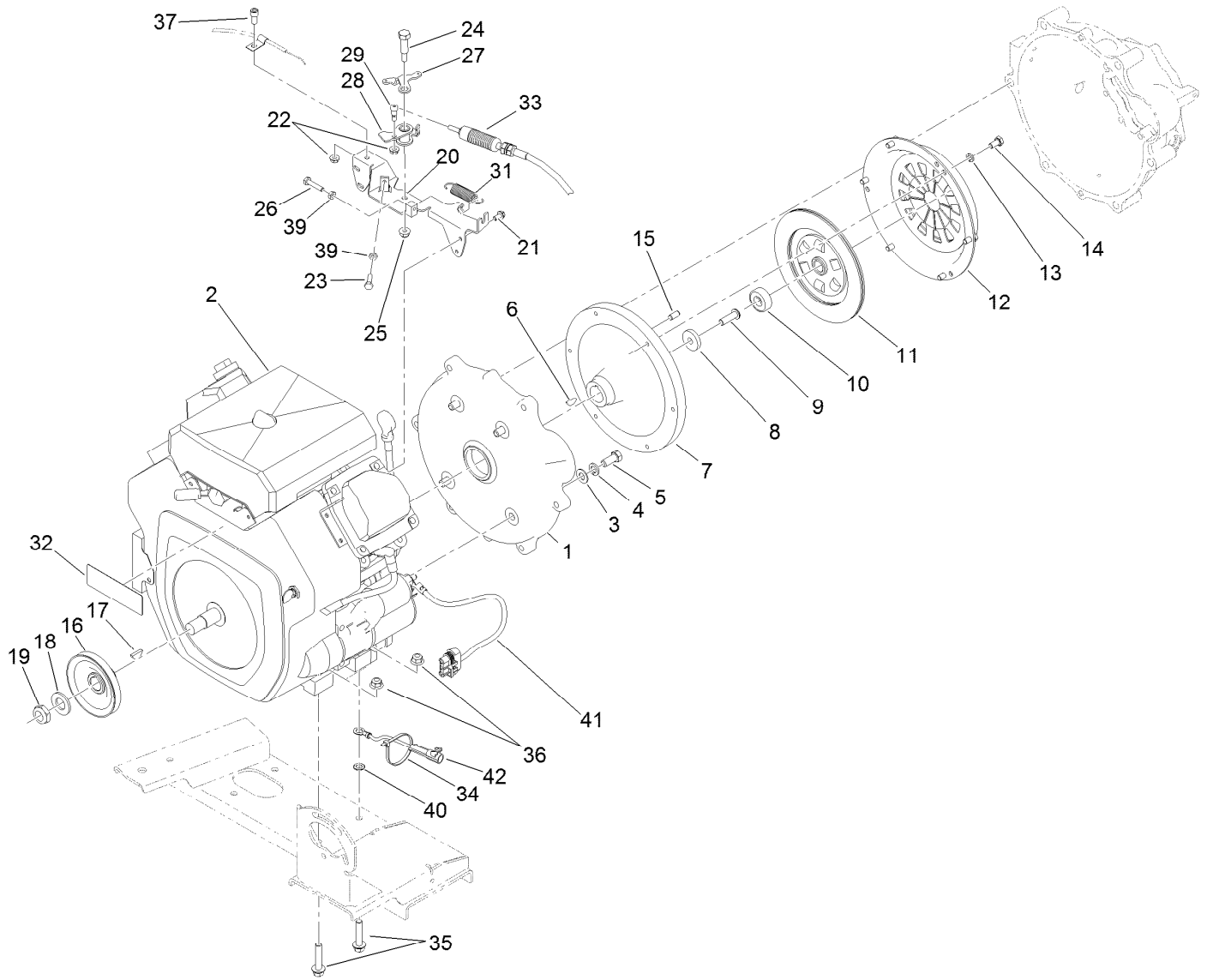
● Not serviced separately



## Engine Assembly

Ref.	Part Number	Qty.	Description	Ref.	Part Number	Qty.	Description
1	107-7991	1	Adapter-Clutch	18	3256-28	1	Washer-Flat
2	115-7819	1	Engine-Kohler, Ch680-3025	19	3296-15	1	Nut-Lock, NI
2:1	108-3847	1	Filter-Oil ●	20	121-9659-03	1	Bracket-Throttle
3	3256-25	4	Washer-Flat	21	32144-4	4	Screw-HWH
4	3253-6	4	Washer-Lock	22	32128-33	2	Nut-HF
5	324-4	4	Screw-HH	23	329-6	1	Screw-HH
6	3257-5	1	Key-Woodruff	24	7-0030	1	Screw-Shoulder, HH
7	120-4893	1	Flywheel	25	104-8300	1	Nut-HF, NI
8	87-6080	1	Washer	26	329-7	1	Screw-HH
9	3274-63	1	Screw-HSBH	27	87-7790	1	Lever-Choke
10	87-6460	1	Bearing-Ball (W/Seal)	28	87-7800	1	Lever-Throttle
11	87-4700	1	Disc-Clutch	29	119-4881	1	Bolt-Shoulder
12	87-4690	1	Cover-Clutch	31	67-1450	1	Spring-Idler
13	3253-4	6	Washer-Lock	32	80-8040	1	Decal-Warning
14	33114-016	6	Screw-HH	33	120-4980	1	Cable-Throttle
15	42-7160	3	Pin	34	3290-379	1	Tie-Cable
16	87-7710	1	Pulley ASM	35	3234-19	4	Screw-HHF
17	3257-7	1	Key-Woodruff	36	104-8301	4	Nut-HF, NI

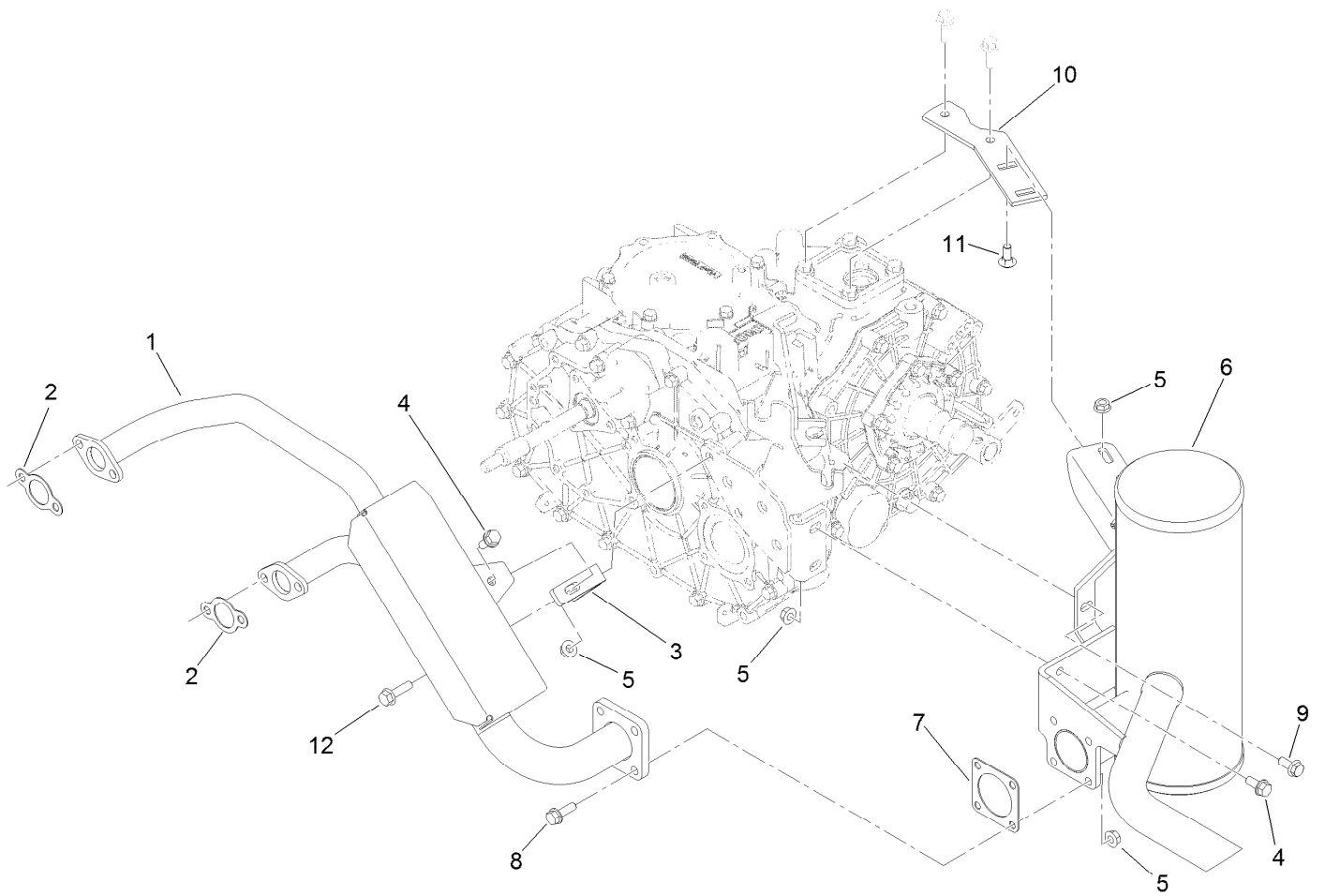
● Not illustrated



## Engine Assembly (continued)

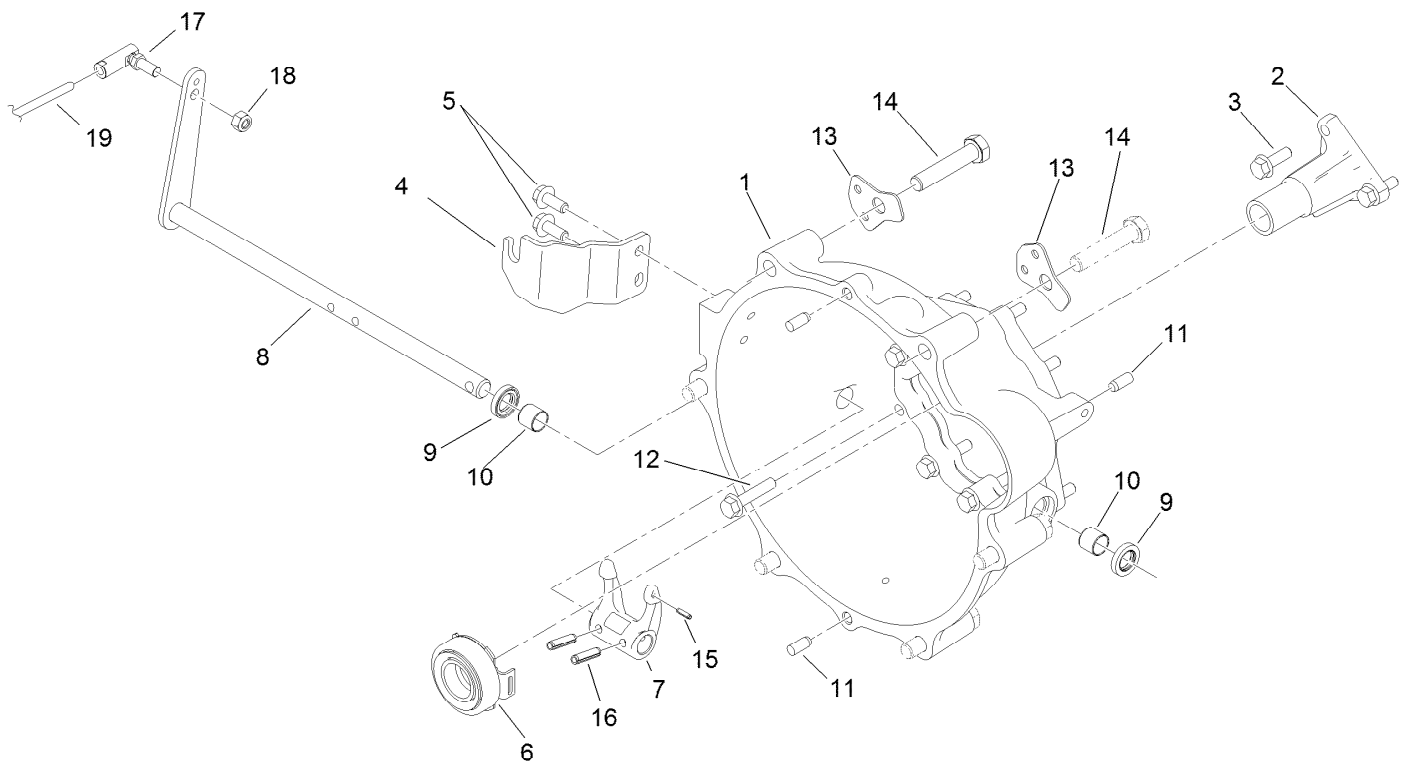
<i>Ref.</i>	<i>Part Number</i>	<i>Qty.</i>	<i>Description</i>	<i>Ref.</i>	<i>Part Number</i>	<i>Qty.</i>	<i>Description</i>
37	3274-12	1	Screw-HSH	41	99-3441	1	Harness-Wire, Fusible Link
39	3220-1	2	Nut-Jam	42	117-5612	1	Harness-Wire, Ground
40	3255-9	1	Washer-Lock				

● Not illustrated



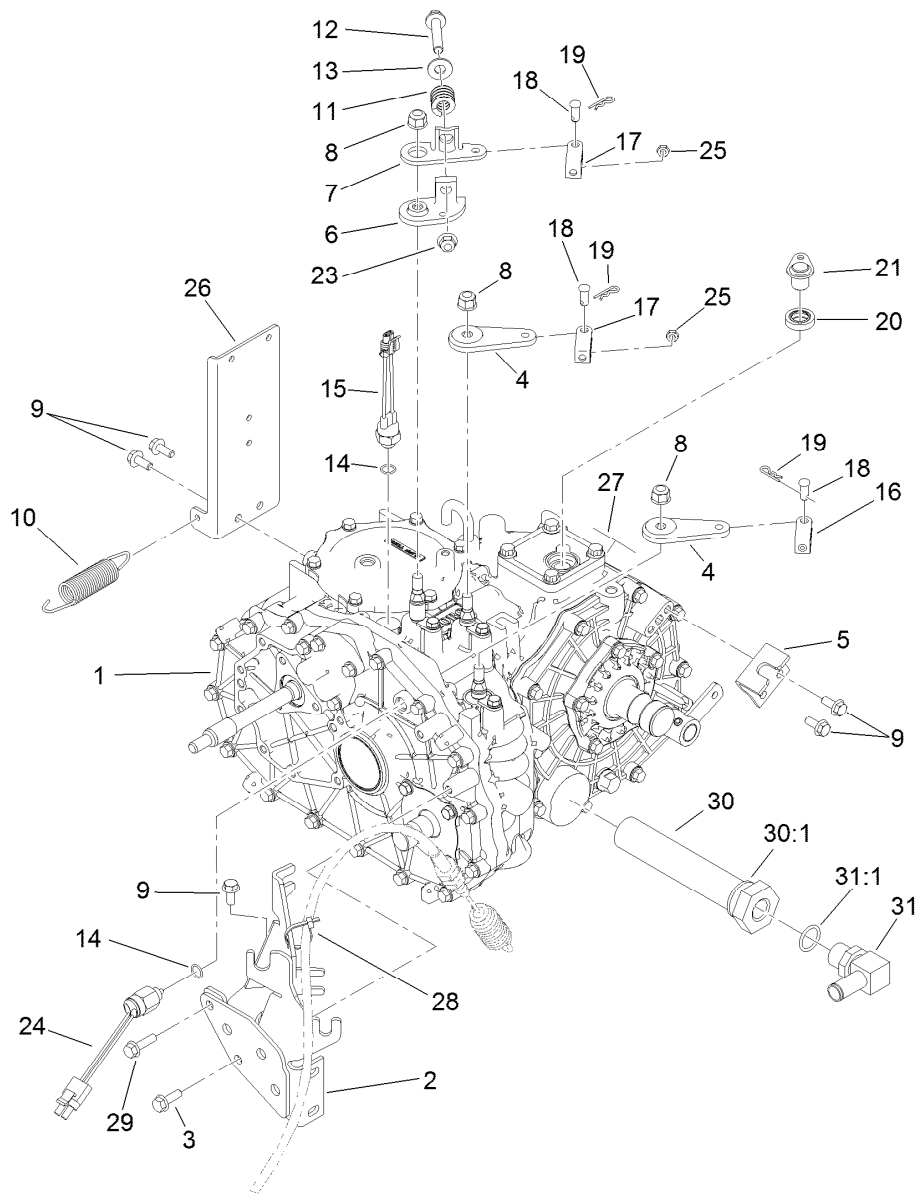
## Muffler Assembly

<b>Ref.</b>	<b>Part Number</b>	<b>Qty.</b>	<b>Description</b>
1	106-7855	1	Manifold-Cooled, Air
2	110-6697	2	Gasket-Exhaust
3	106-7880-03	1	Mount-Angle
4	3234-5	3	Screw-HHF
5	32128-20	9	Nut-HF
6	115-7725	1	Muffer
7	105-4209	1	Gasket-Muffer
8	3234-17	4	Screw-HHF
9	98-7977	1	Screw-HHF
10	105-9472	1	Plate-Mount, Muffer
11	3230-1	2	Bolt-CARR
12	33104-030	1	Screw-HHF



## Clutch Linkage Assembly

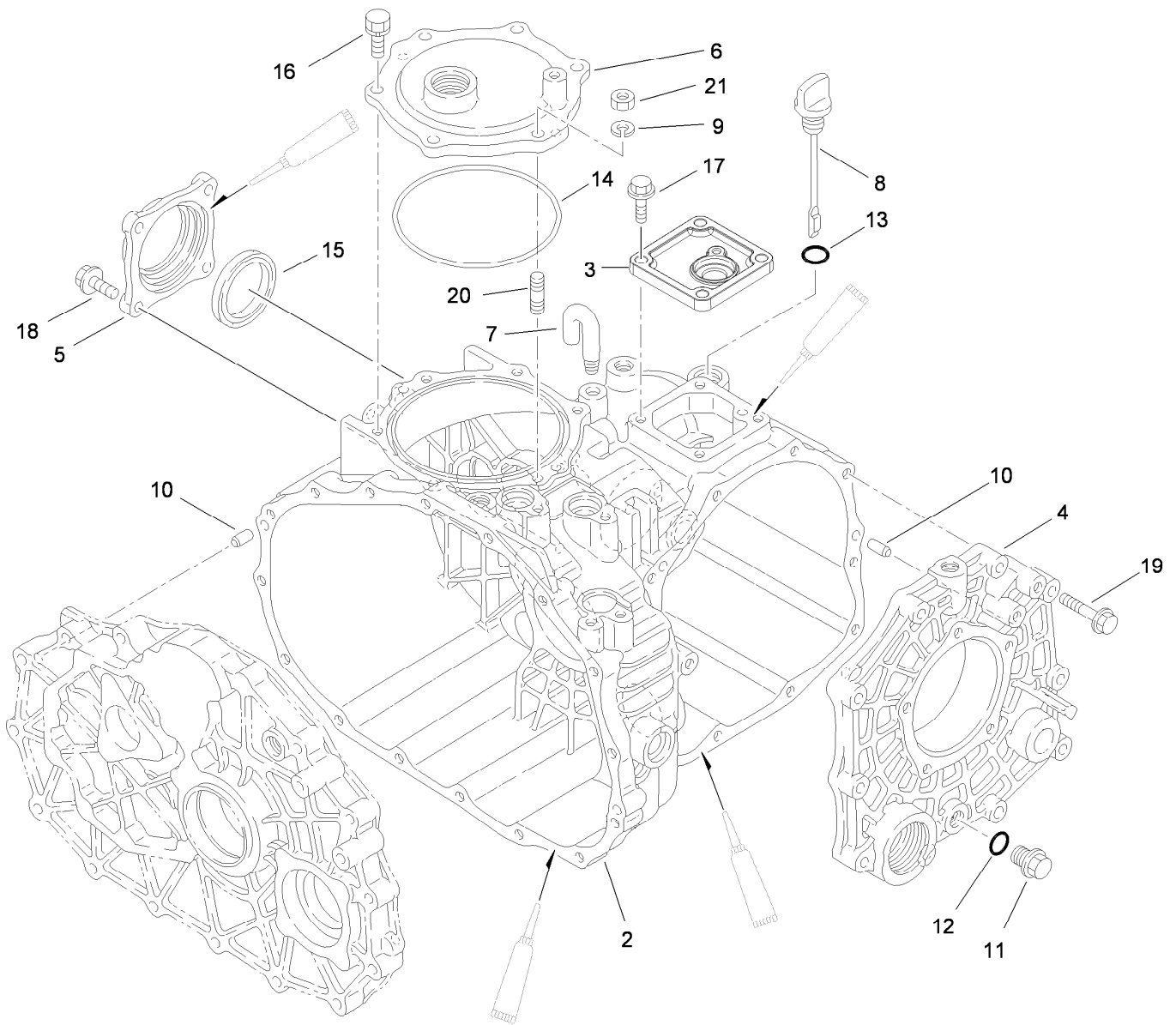
<i>Ref.</i>	<i>Part Number</i>	<i>Qty.</i>	<i>Description</i>	<i>Ref.</i>	<i>Part Number</i>	<i>Qty.</i>	<i>Description</i>
1	104-9249	1	Housing-Bell	11	87-1910	4	Pin-Dowel
2	120-4886	1	Guide-Release	12	33104-040	9	Screw-HHF
3	33104-025	3	Screw-HHF	13	115-2247	2	Bracket-Harness
4	115-2313	1	Bracket-Cable, Clutch	14	107-7983	6	Screw-HH
5	98-7977	2	Screw-HHF	15	32121-7	1	Pin-Roll, Slotted
6	110-2538	1	Bearing-Release, Clutch	16	32121-24	2	Pin-Spring
7	87-5300	1	Fork-Clutch	17	2411-33	1	Balljoint-RH (W/Grommet)
8	115-2311	1	Lever-Clutch	18	3296-4	1	Nut-Lock
9	87-1920	2	Seal-Oil	19	115-2284	1	Cable-Clutch
10	87-3770	2	Bushing-Housing, Bell				



## Transaxle Assembly

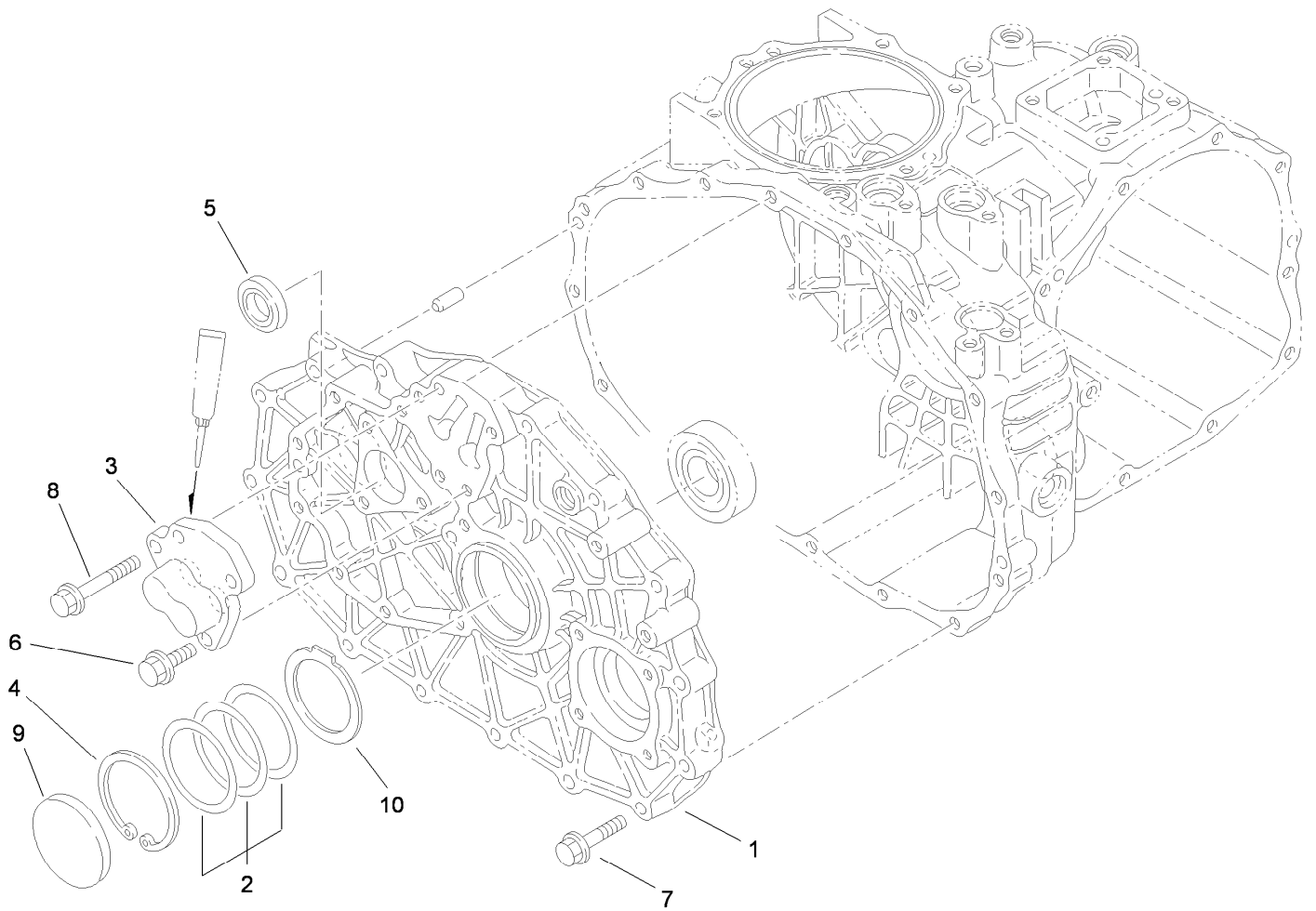
Ref.	Part Number	Qty.	Description	Ref.	Part Number	Qty.	Description
1	115-7783	1	2 Wheel Drive Transaxle ASM	17	87-2310	2	Clevis-Cable
2	105-4207-03	1	Mount-Cable	18	283-62	3	Pin-Clevis
3	33104-025	1	Screw-HHF	19	3290-307	3	Pin-Cotter
4	87-7960	2	Lever-Shift	20	92-3735	1	Seal-Oil, Sensor
5	87-4470	1	Bracket-Lock, Differential	21	115-7774	1	Plug ASM
6	87-7970	1	Arm-Shift	23	3290-357	1	Nut-HHF, Whiz
7	87-8250	1	Plate-Arm, Shift	24	87-6710	1	Switch-Transmission
8	103-9511	3	Nut-Lock, NI	25	3220-1	2	Nut-Jam
9	98-7977	5	Screw-HHF	26	115-2240-03	1	Bracket-Fuel
10	68-9950	1	Spring-Traction	27	115-7741	1	Decal-Oil, Transmission
11	87-6910	1	Spring-Compression	28	3290-379	1	Tie-Cable
12	66-9302	1	Screw-HHF, Whiz	29	33104-030	1	Screw-HHF
13	3256-4	1	Washer-Flat	30	87-3990	1	Strainer-Transaxle
14	237-30	2	O-Ring	30:1	237-123	1	O-Ring
15	72-4310	1	Switch-Ball	31	353-987	1	Fitting-HYD, 90 DEG (Barbed)
16	87-7160	1	Clevis-Cable	31:1	237-81	1	O-Ring





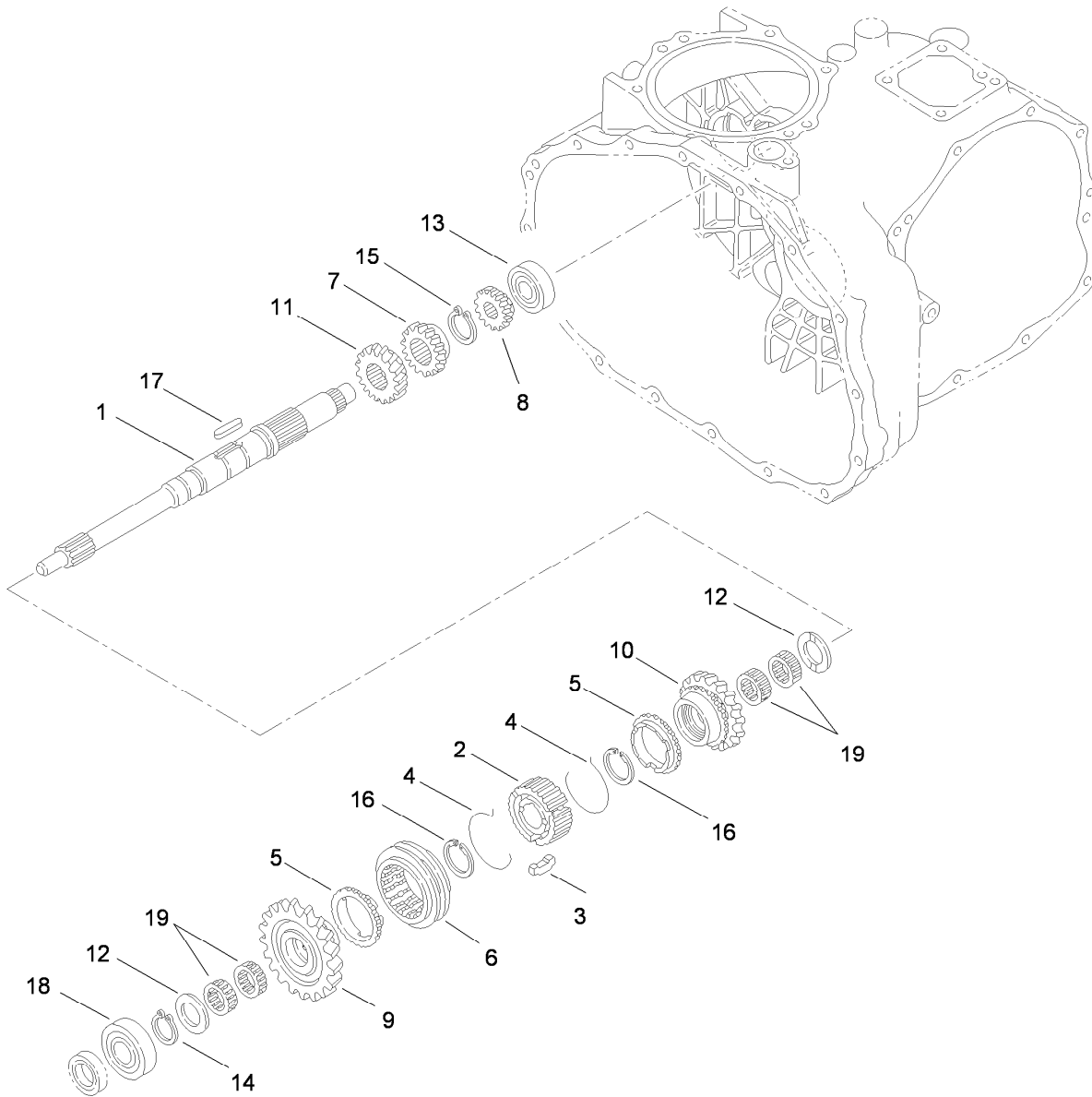
## Case Assembly Transaxle Assembly No. 115-7783

<i>Ref.</i>	<i>Part Number</i>	<i>Qty.</i>	<i>Description</i>	<i>Ref.</i>	<i>Part Number</i>	<i>Qty.</i>	<i>Description</i>
2	92-0651	1	Case-Transmission	12	92-0787	1	O-Ring
3	92-0810	1	Cover-Upper, Sensor	13	92-0788	1	O-Ring
4	92-0653	1	Cover-Side	14	92-0790	1	O-Ring
5	92-0655	1	Cover-Seal, Axle	15	92-0793	1	Seal-Oil
6	92-0656	1	Cover-Upper, PTO	16	92-0796	5	Bolt
7	92-0743	1	Breather-Air	17	33104-025	4	Screw-HHF
8	92-0662	1	Cap-Oil	18	33104-025	4	Screw-HHF
9	92-0762	1	Washer-Spring	19	33104-040	10	Screw-HHF
10	92-0765	4	Pin-Parallel	20	92-0805	1	Bolt 8X20
11	92-0773	1	Plug-Drain	21	68-9400	1	Nut-Flange



## Center Plate Assembly Transaxle Assembly No. 115-7783

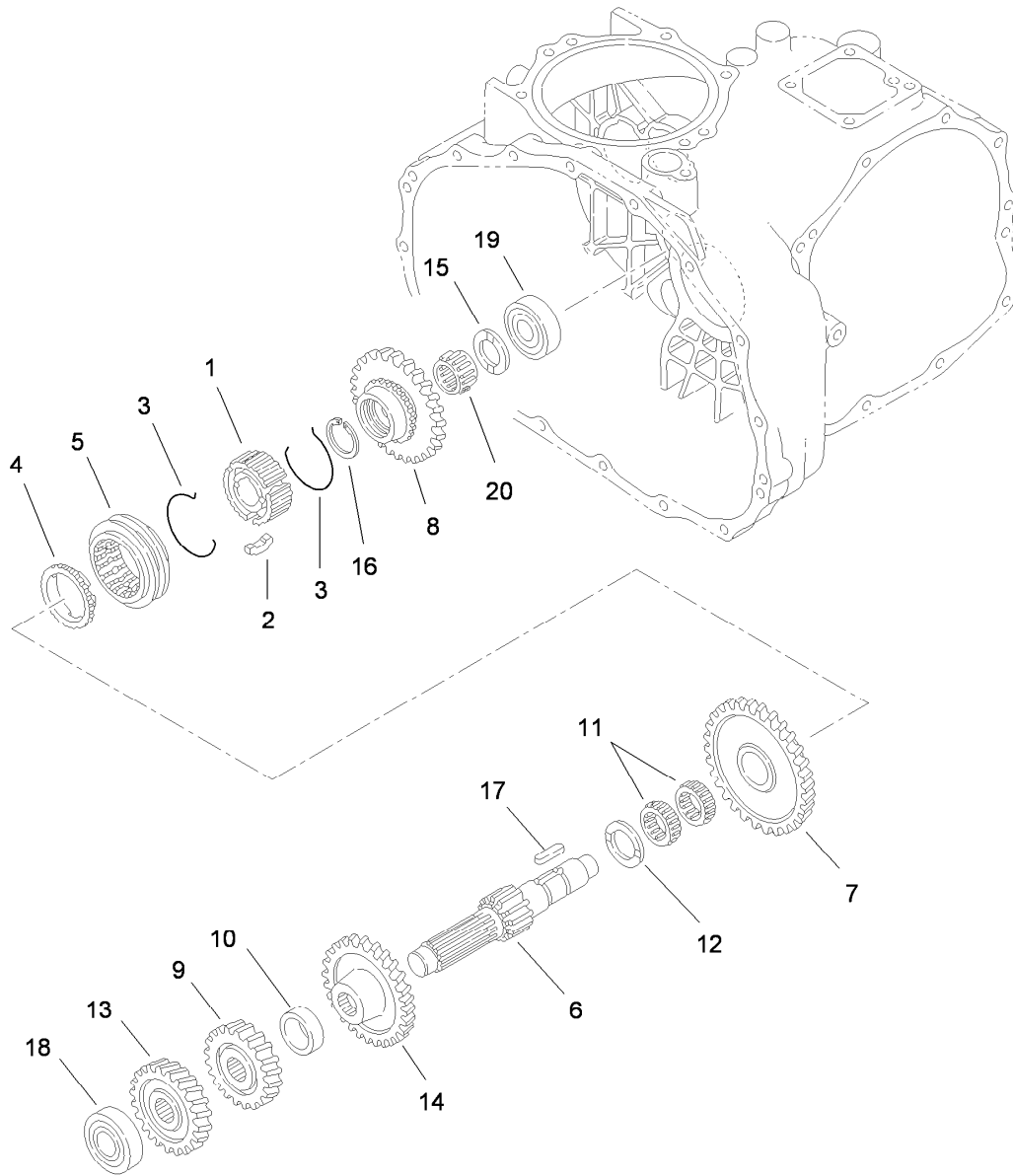
<i>Ref.</i>	<i>Part Number</i>	<i>Qty.</i>	<i>Description</i>
1	100-4461	1	Plate-Center
2	100-4460	1	Shim-Set
3	92-0706	1	Shaft-Fork
4	92-0759	1	Ring-Snap
5	92-0791	1	Seal-Oil
6	33104-025	3	Screw-HHF
7	33104-040	15	Screw-HHF
8	33104-050	1	Screw-HHF
9	92-0807	1	Cap-Sealing
10	100-4465	1	Shim (W/Tab)



## Main Shaft Assembly Transaxle Assembly No. 115-7783

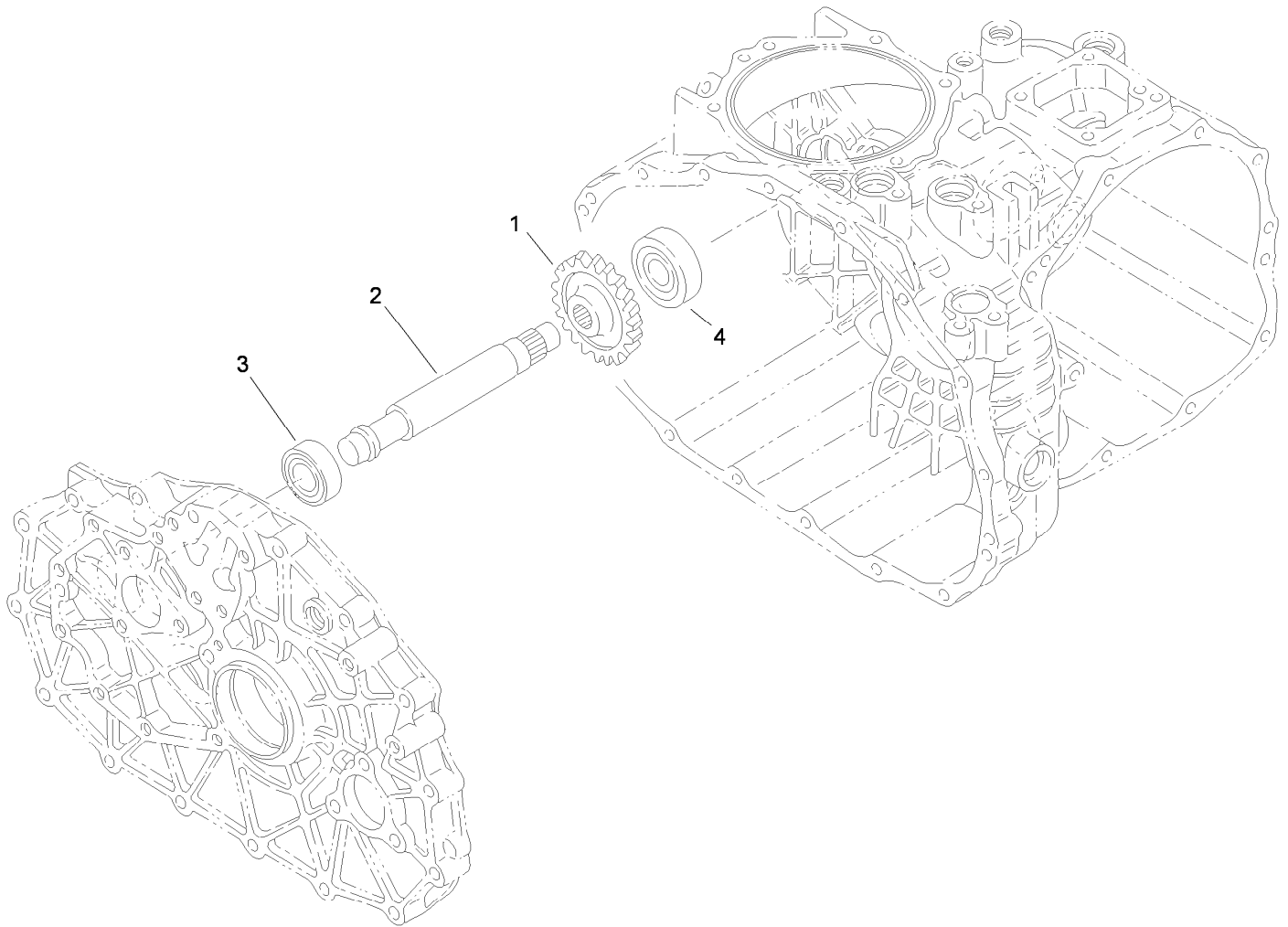
<i>Ref.</i>	<i>Part Number</i>	<i>Qty.</i>	<i>Description</i>
1	92-0663	1	Shaft-Main
2	92-0664	1	Hub-Synchro
3	92-0665	3	Key-Synchro
4	92-0666	2	Spring-Synchro
5	92-0667	2	Ring-Synchro
6	92-0668	1	Shifter-Synchro
7	92-0672	1	Gear-Main, 18 Tooth
8	92-0673	1	Gear-Main, 14 Tooth
9	110-2521	1	Gear-Main, 27 Tooth
10	110-2522	1	Gear- Main, 24 Tooth

<i>Ref.</i>	<i>Part Number</i>	<i>Qty.</i>	<i>Description</i>
11	92-0687	1	Gear-Main, 16 Tooth
12	92-0740	2	Washer-Thrust
13	92-0650	1	Bearing
14	92-0753	1	Ring-Snap
15	92-0754	1	Ring-Snap
16	92-0763	2	Ring-Snap
17	92-0772	1	Key
18	251-8	1	Bearing-Ball
19	92-0781	4	Bearing-Needle



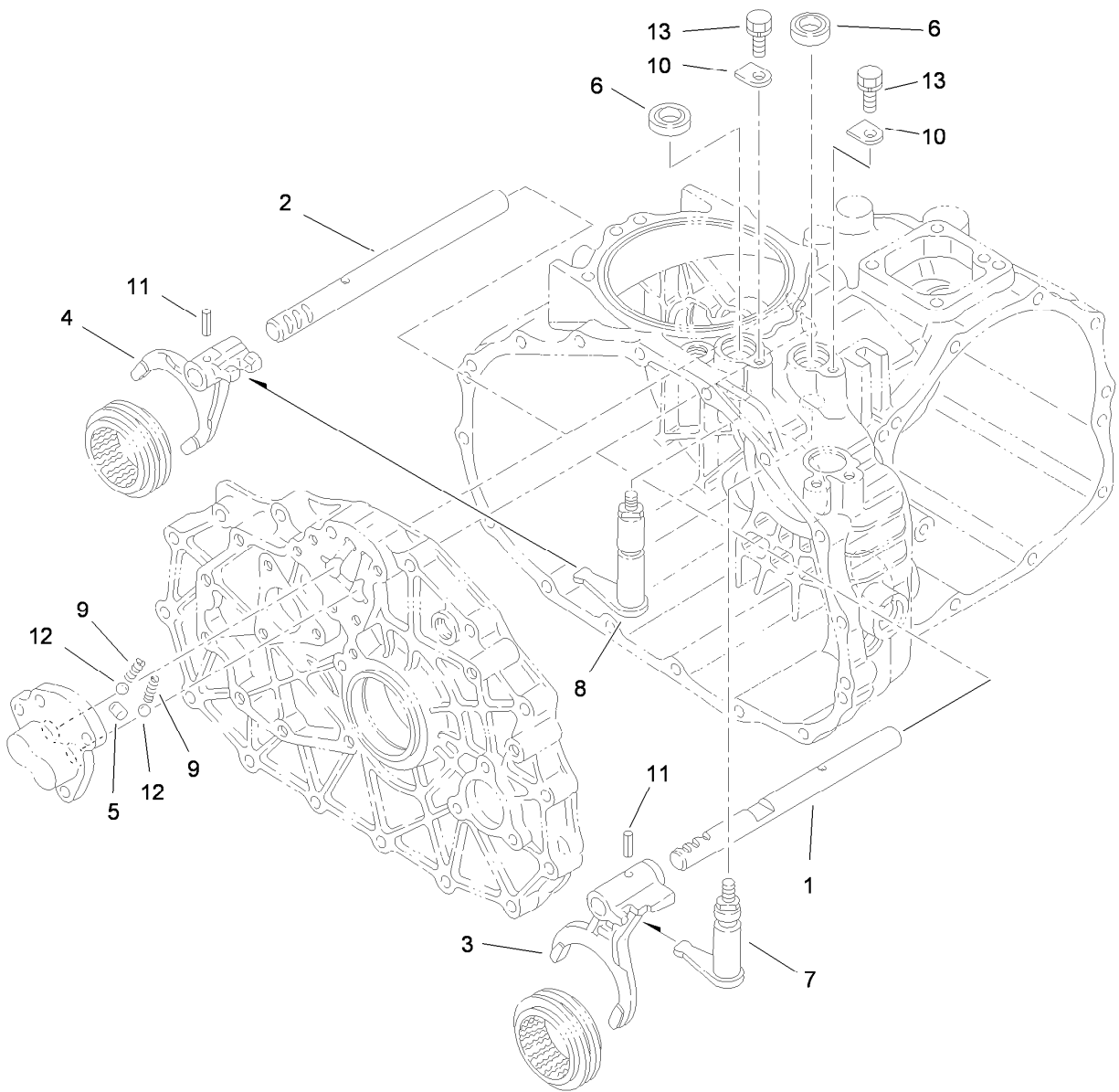
## Reduction Shaft Assembly Transaxle Assembly No. 115-7783

<i>Ref.</i>	<i>Part Number</i>	<i>Qty.</i>	<i>Description</i>	<i>Ref.</i>	<i>Part Number</i>	<i>Qty.</i>	<i>Description</i>
1	92-0664	1	Hub-Synchro	11	92-0681	2	Bearing-Needle
2	92-0665	3	Key-Synchro	12	92-0682	1	Washer-Thrust
3	92-0666	2	Spring-Synchro	13	92-0822	1	Gear-Reduction, 28 Tooth
4	92-0667	1	Ring-Synchro	14	92-0823	1	Gear-Reduction, 43 Tooth
5	92-0668	1	Shifter-Synchro	15	92-0740	1	Washer-Thrust
6	92-0674	1	Shaft-Reduction	16	92-0673	1	Gear-Main, 14 Tooth
7	110-2524	1	Gear- Reduction, 49 Tooth	17	92-0772	1	Key
8	92-0819	1	Gear-Reduction, 40 Tooth	18	105-7985	1	Bearing
9	92-0769	1	Pin-Roll	19	92-0778	1	Bearing
10	92-0680	1	Collar	20	92-0782	1	Bearing-Needle



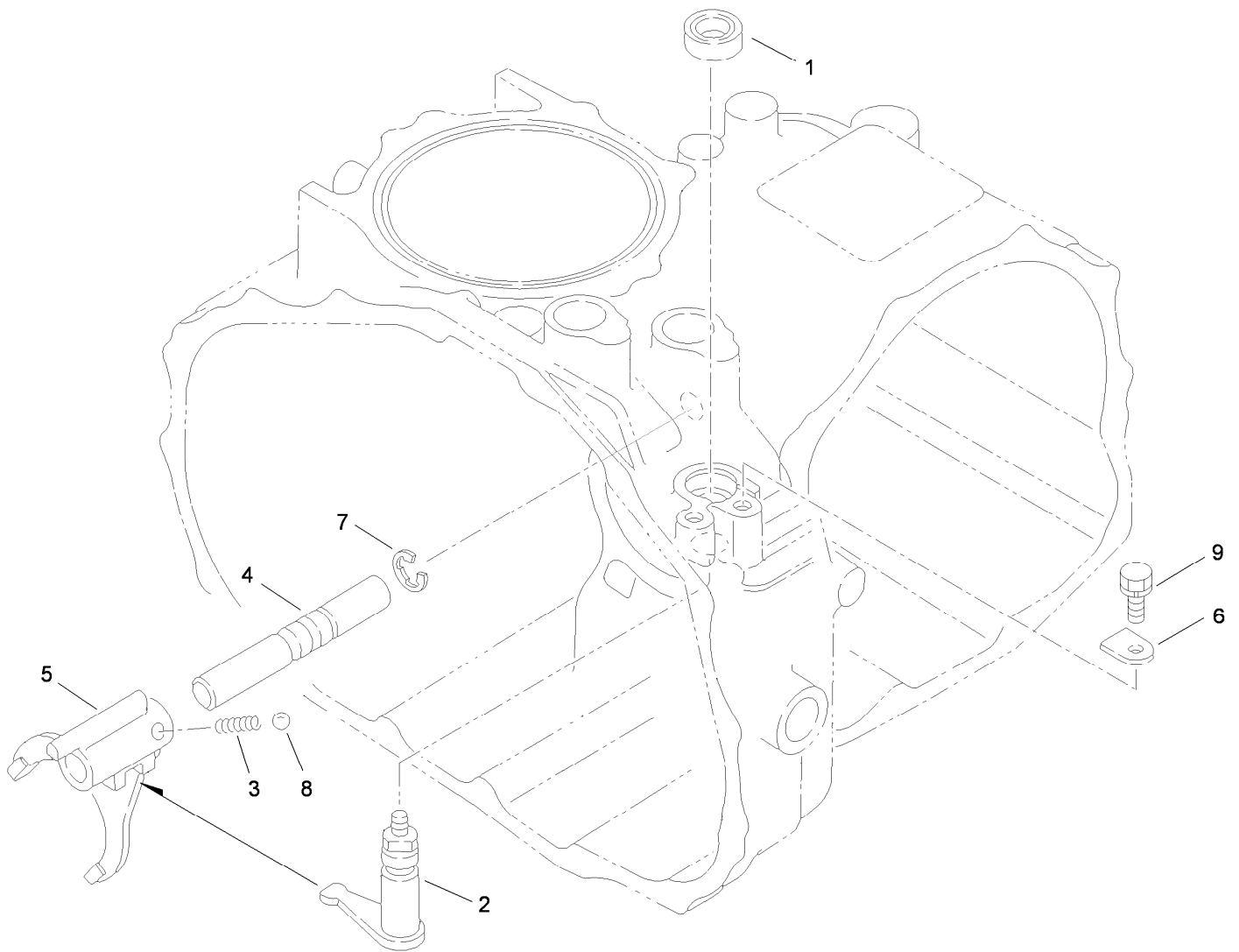
## Reverse Shaft Assembly Transaxle Assembly No. 115-7783

<i>Ref.</i>	<i>Part Number</i>	<i>Qty.</i>	<i>Description</i>
1	92-0684	1	Gear-Reverse, 33 Tooth
2	92-0824	1	Shaft-Idler, Reverse
3	251-346	1	Bearing-Ball
4	92-0778	1	Bearing



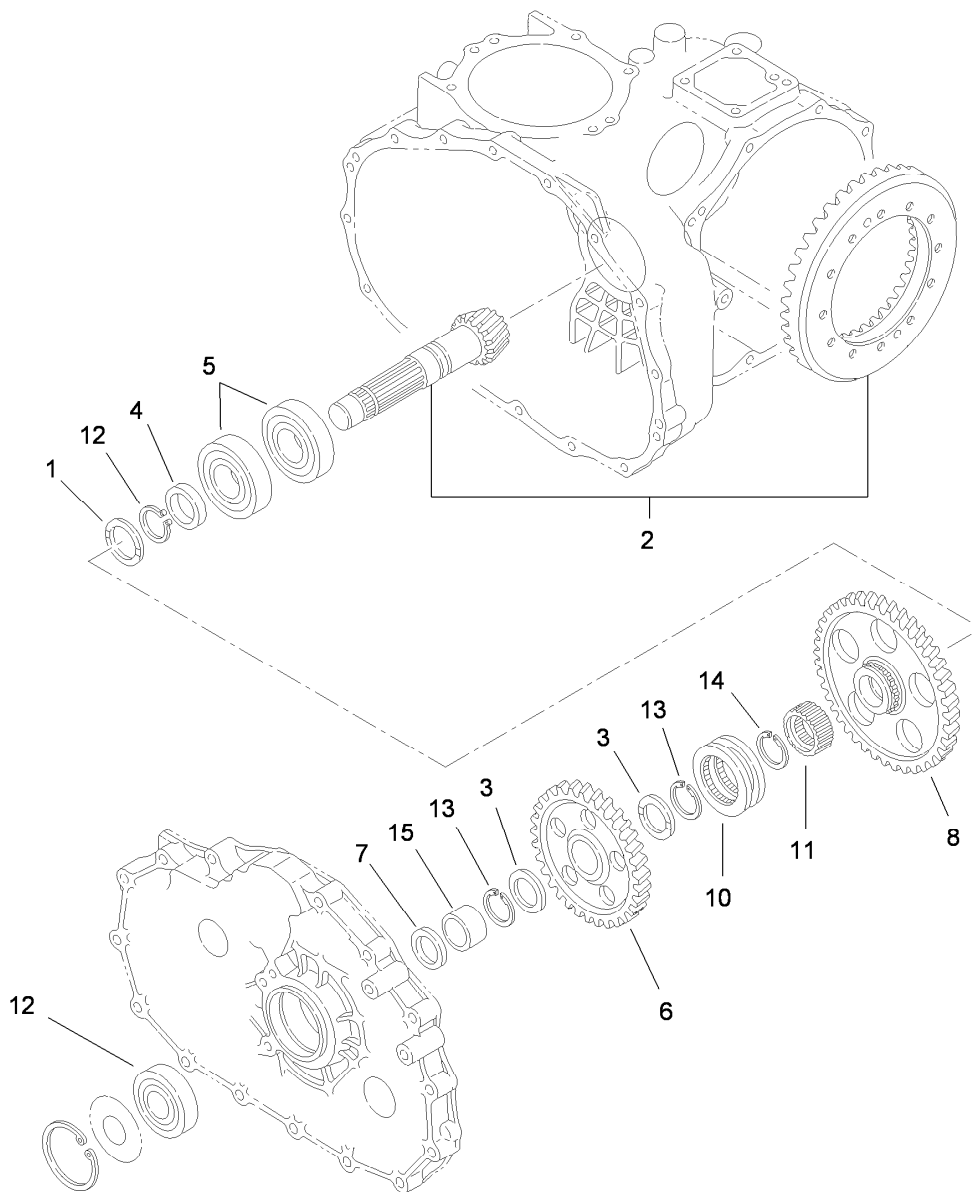
## Main Shift Assembly Transaxle Assembly No. 115-7783

<i>Ref.</i>	<i>Part Number</i>	<i>Qty.</i>	<i>Description</i>
1	92-0698	1	Shaft-Fork
2	92-0699	1	Shaft-Fork
3	92-0700	1	Fork-Shift
4	92-0701	1	Fork-Shift
5	92-0705	1	Lock-Spindle
6	92-0729	2	Seal-Oil
7	92-0816	1	Arm-Shift
8	92-0817	1	Arm-Shift
9	92-0731	2	Spring
10	92-0732	2	Plate-Keeper
11	92-0769	2	Pin-Roll
12	92-0785	2	Ball-Steel
13	33104-016	2	Screw-HHF



## Hi-Lo Shift Assembly Transaxle Assembly No. 115-7783

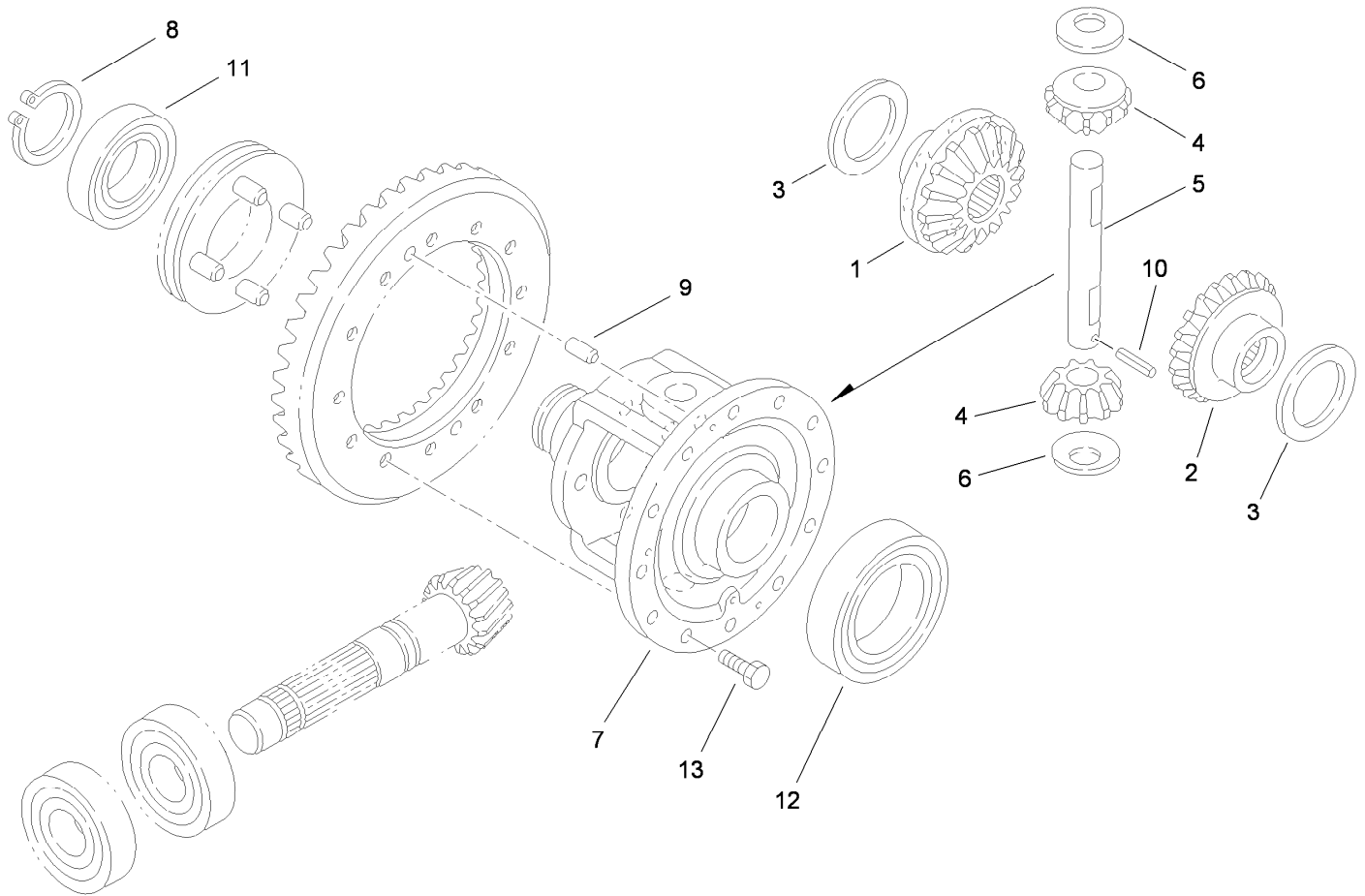
<i>Ref.</i>	<i>Part Number</i>	<i>Qty.</i>	<i>Description</i>
1	92-0729	1	Seal-Oil
2	92-0818	1	Arm-Shift
3	92-0731	1	Spring
4	92-0708	1	Shaft-Fork
5	92-0709	1	Fork-Shift
6	92-0732	1	Plate-Keeper
7	92-0761	1	Ring-E
8	92-0785	1	Ball-Steel
9	33104-016	1	Screw-HHF



## Countershaft Assembly Transaxle Assembly No. 115-7783

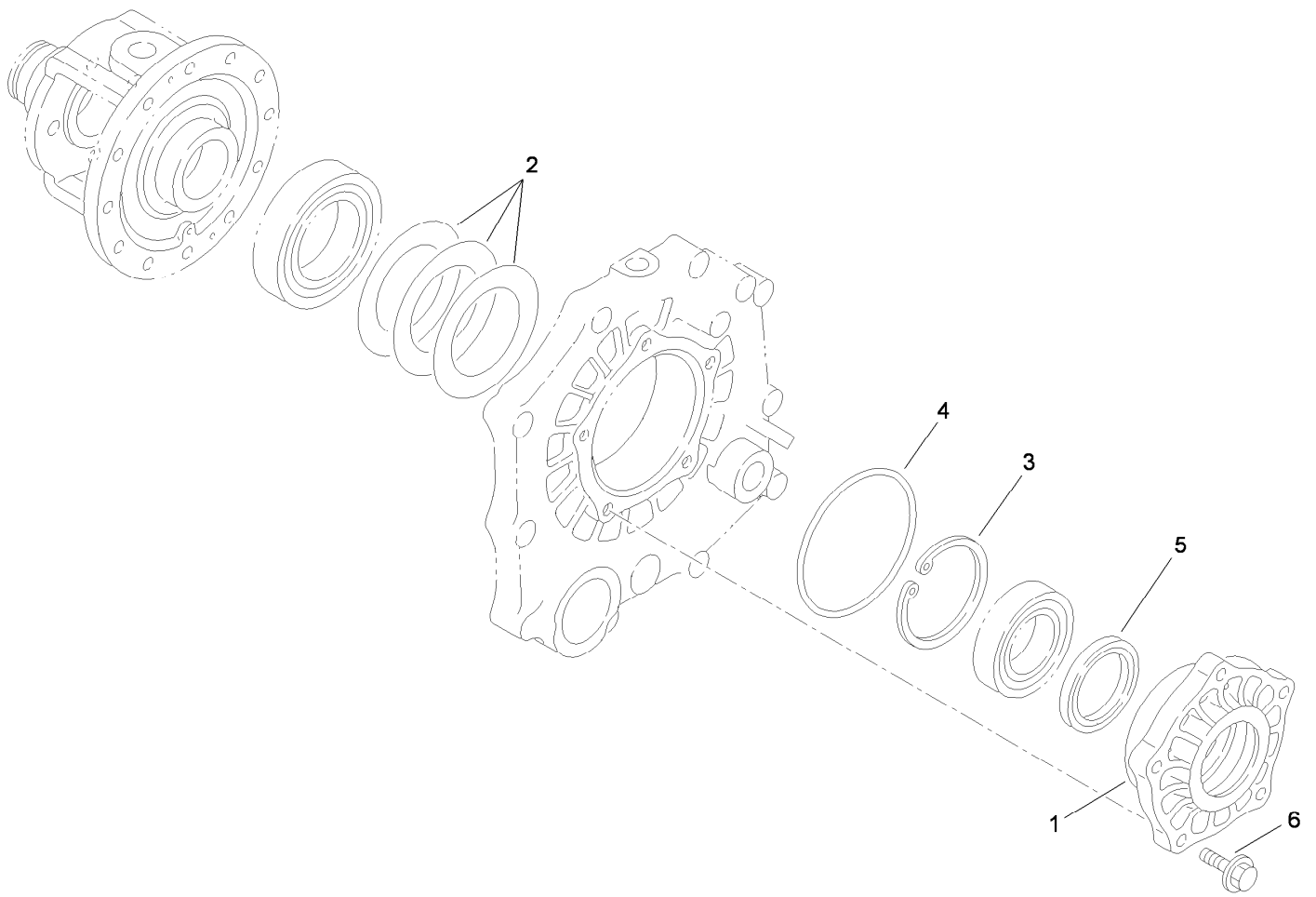
<i>Ref.</i>	<i>Part Number</i>	<i>Qty.</i>	<i>Description</i>
1	92-0741	1	Washer-Thrust
2	105-7983	1	Countershaft And Ring Gear ASM
3	92-0711	2	Washer-Thrust
4	92-0713	1	Collar
5	92-0714	2	Bearing
6	92-0715	1	Gear-Countershaft
7	92-0716	1	Collar
8	92-0717	1	Gear-Countershaft
10	92-0718	1	Shifter
11	105-7986	1	Collar-Spline
12	92-0712	1	Bearing-Ball
13	105-7987	2	Ring-Snap
14	92-0755	1	Ring-Snap
15	92-0783	1	Race-Inner





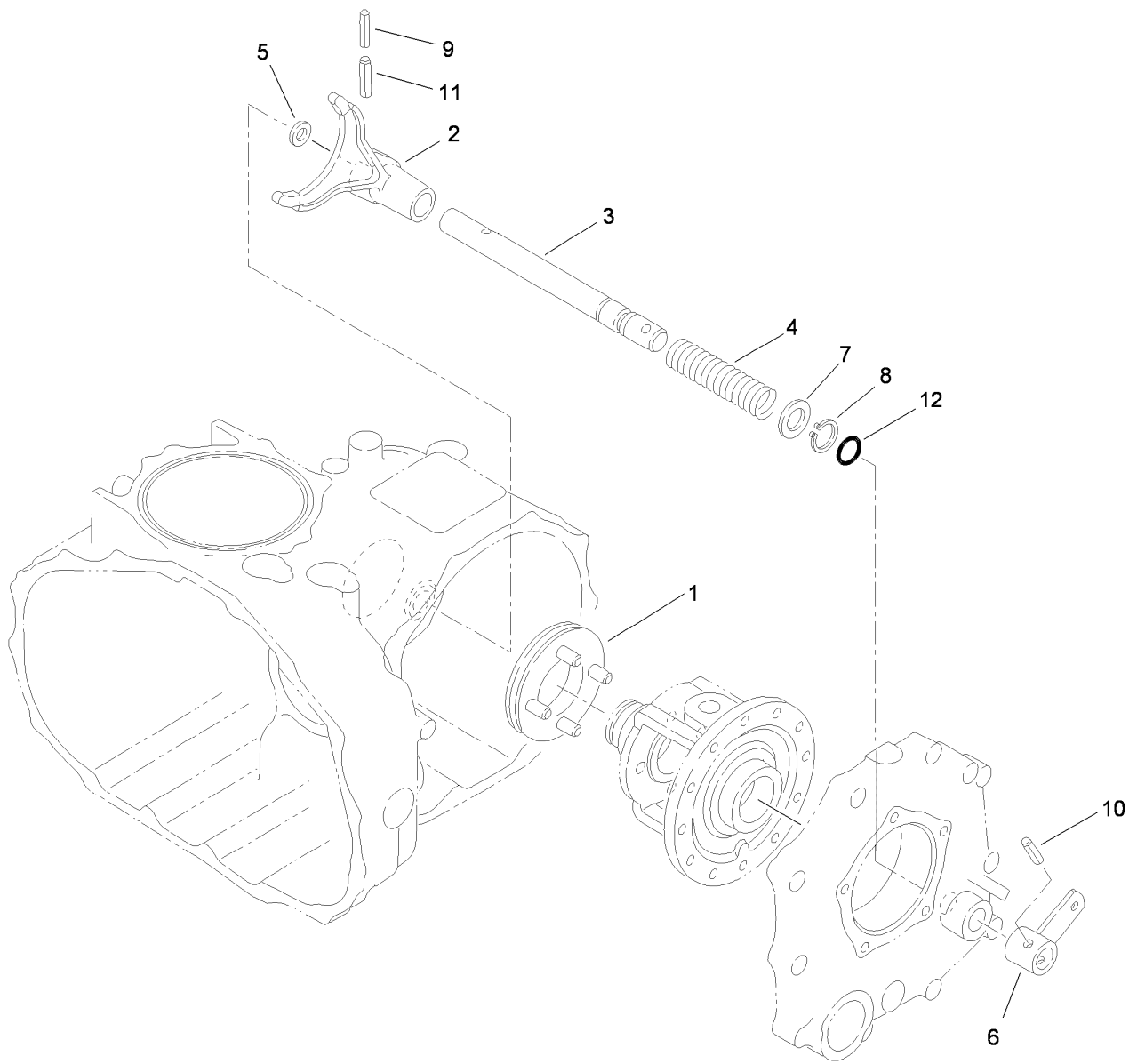
## Differential Gear Assembly Transaxle Assembly No. 115-7783

<i>Ref.</i>	<i>Part Number</i>	<i>Qty.</i>	<i>Description</i>
1	92-0745	1	Gear-Side, LH
2	92-0746	1	Gear-Side, RH
3	92-0747	2	Side-Gear, Left Inner
4	92-0748	2	Pinion-Differential
5	92-0749	1	Shaft-Pinion
6	92-0750	2	Washer
7	92-0720	1	Case-Differential
8	92-0756	1	Ring-Snap
9	92-0765	2	Pin-Parallel
10	92-0768	1	Pin-Roll, Spring
11	92-0775	1	Bearing
12	92-0776	1	Bearing
13	92-0803	12	Bolt



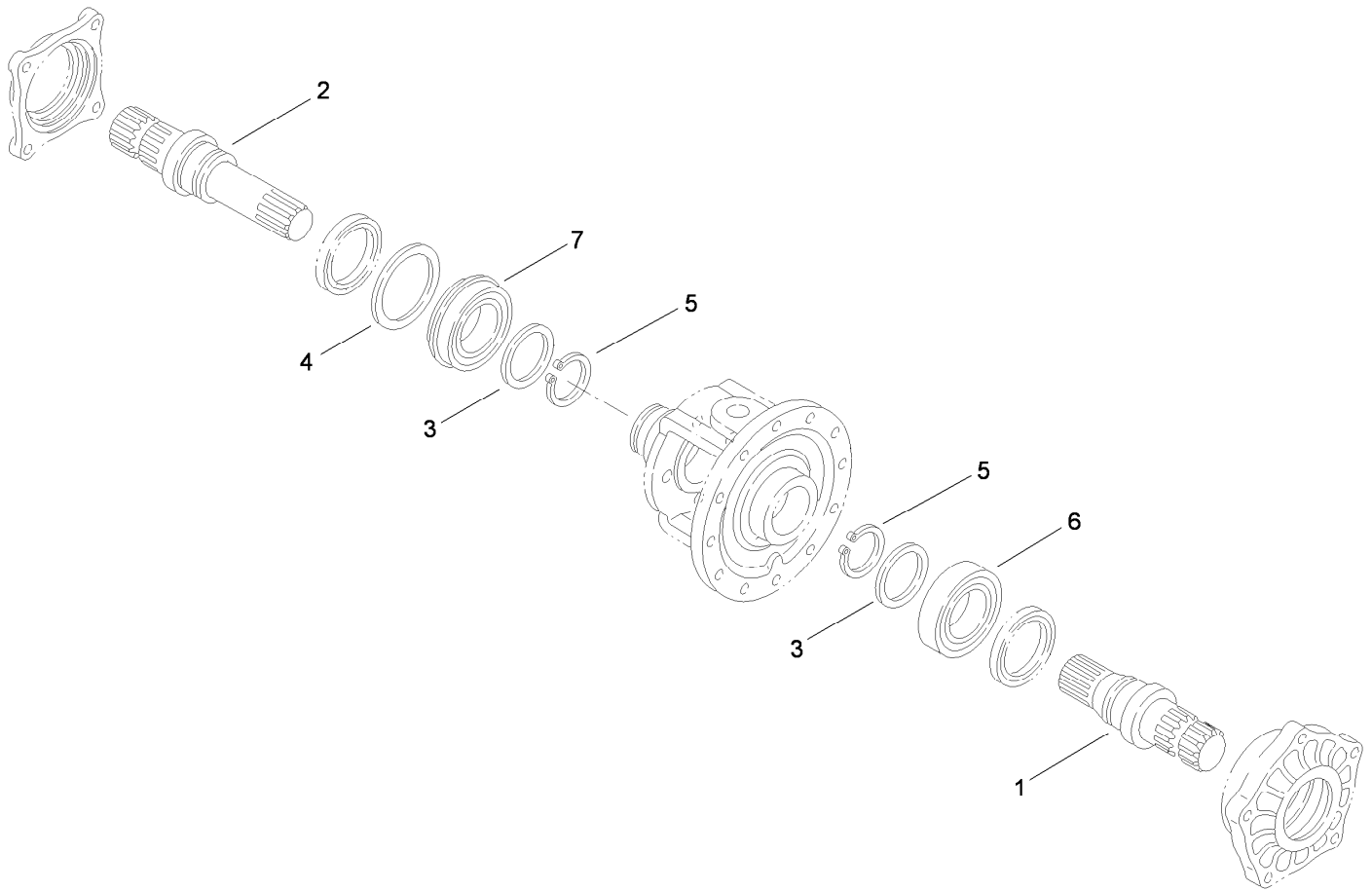
## Differential Carrier Assembly Transaxle Assembly No. 115-7783

<i>Ref.</i>	<i>Part Number</i>	<i>Qty.</i>	<i>Description</i>
1	92-0654	1	Carrier-Differential
2	92-0809	1	Set-Shim
3	92-0760	1	Ring-Snap
4	92-0789	1	O-Ring
5	92-0793	1	Seal-Oil
6	33104-030	5	Screw-HHF



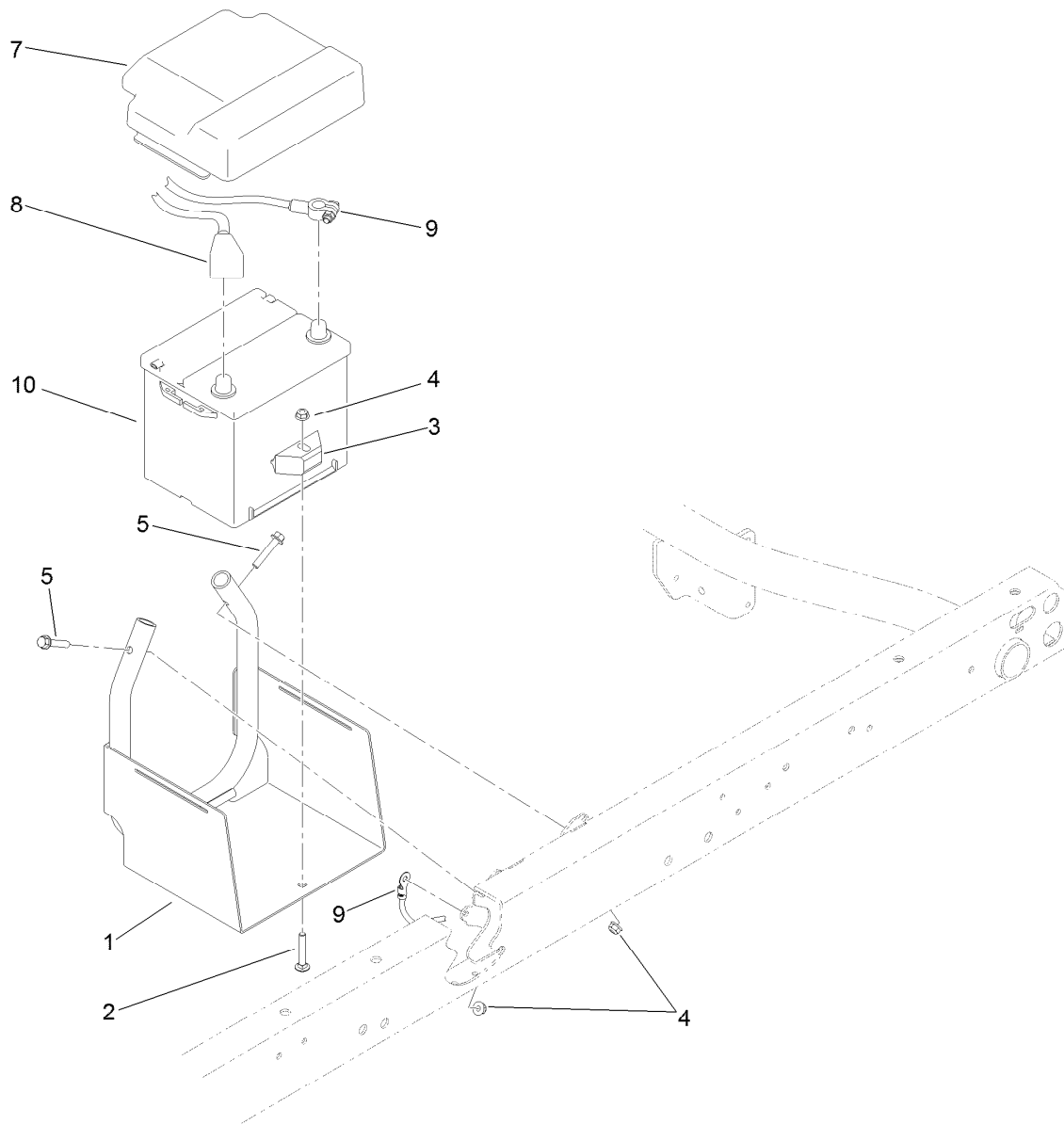
## Differential Lock Assembly Transaxle Assembly No. 115-7783

<i>Ref.</i>	<i>Part Number</i>	<i>Qty.</i>	<i>Description</i>
1	92-0730	1	Slider-Differential, Lock
2	92-0721	1	Fork-Lock, Differential
3	92-0722	1	Shaft-Fork, Lock Differential
4	92-0723	1	Spring-Lock, Differential
5	92-0744	1	Washer
6	92-0724	1	Arm-Lock, Differential
7	92-0733	1	Washer
8	92-0753	1	Ring-Snap
9	92-0768	1	Pin-Roll, Spring
10	92-0770	1	Pin-Roll, Spring
11	92-0771	1	Pin-Roll, Spring
12	92-0787	1	O-Ring



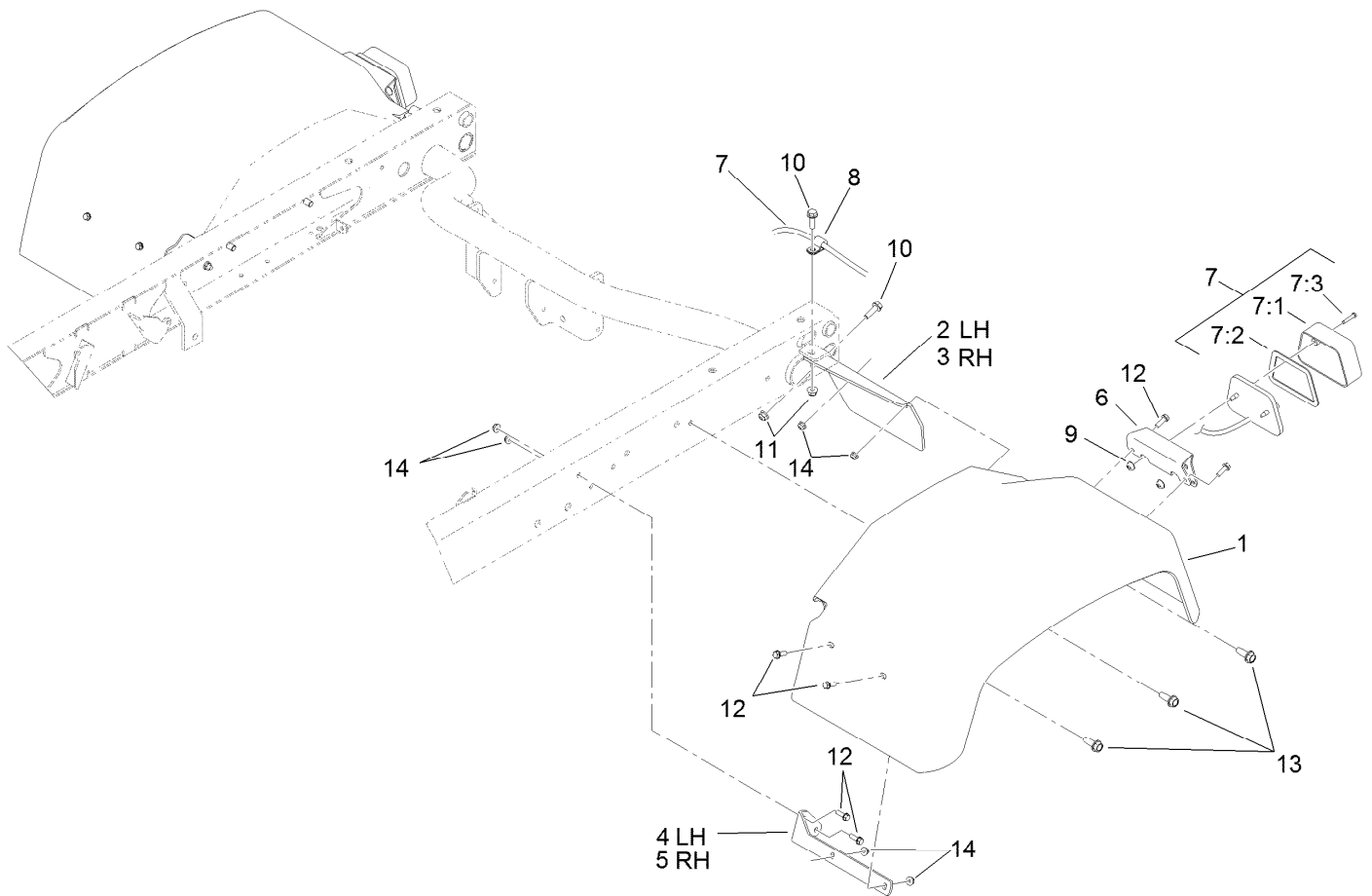
## Axle Shaft Assembly Transaxle Assembly No. 115-7783

<i>Ref.</i>	<i>Part Number</i>	<i>Qty.</i>	<i>Description</i>
1	92-0725	1	Shaft-Axle, Left
2	92-0726	1	Shaft-Axle, Right
3	92-0727	2	Washer
4	92-0728	1	Washer
5	92-0756	2	Ring-Snap
6	92-0775	1	Bearing
7	92-0780	1	Bearing



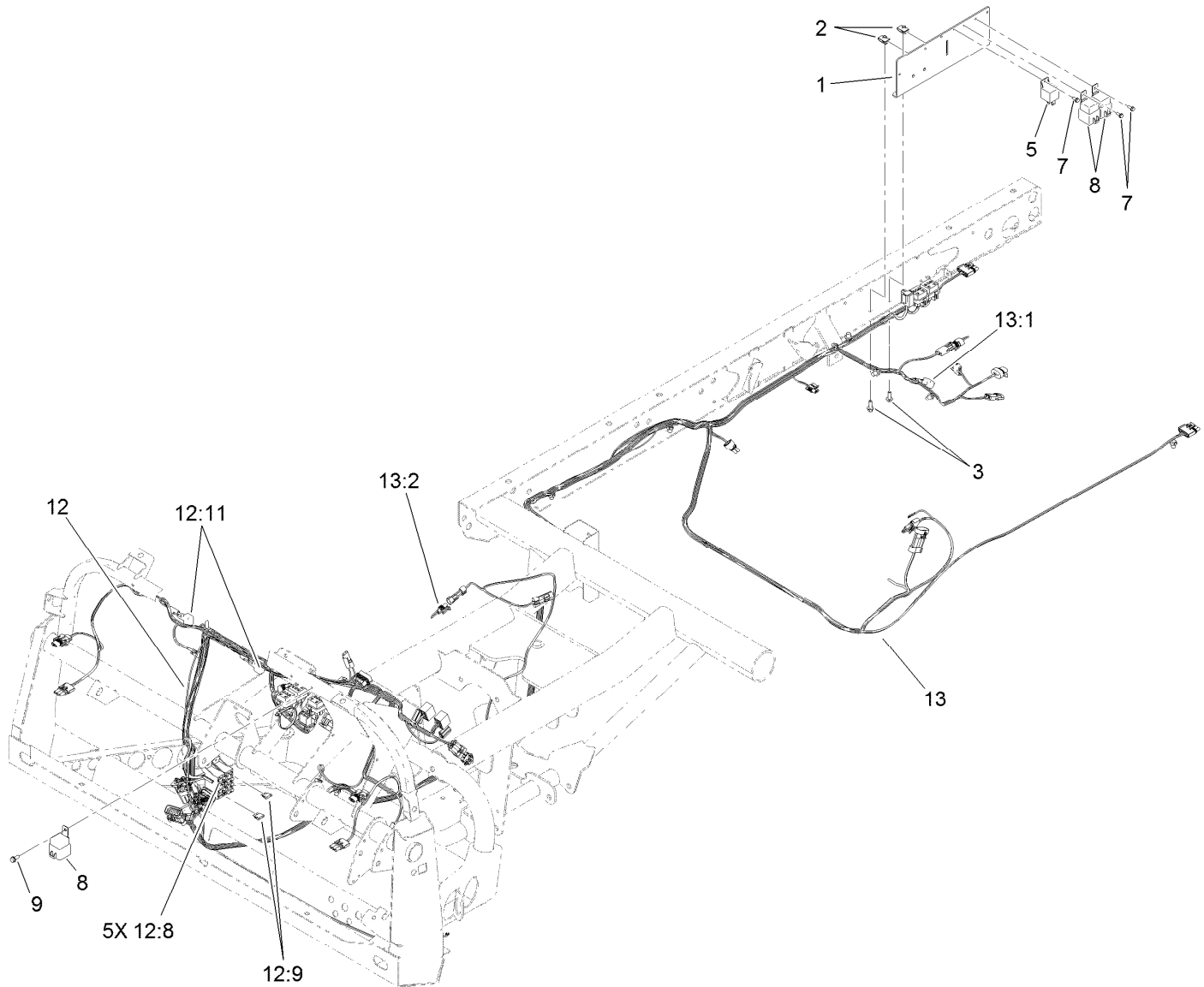
## Battery Assembly

<i>Ref.</i>	<i>Part Number</i>	<i>Qty.</i>	<i>Description</i>
1	115-2237-03	1	Tray-Battery
2	3230-6	1	Screw-CARR
3	66-2490	1	Retainer-Battery
4	104-8300	3	Nut-HF, NI
5	94-5780	2	Screw-HWH
7	115-2448	1	Cover-Battery
8	87-8000	1	Cable-Battery, Positive
9	115-8122	1	Cable-Battery, Negative
10	106-5187	1	Battery-Dry



## Tail Light and Fender Assembly

Ref.	Part Number	Qty.	Description	Ref.	Part Number	Qty.	Description
1	87-6660	2	Fender-Rear	7:3	32144-93	2	Screw-PPHTF
2	93-8943-03	1	Bracket-Fender, Rear (LH)	8	2412-93	2	Clamp-R
3	93-8944-03	1	Bracket-Fender, Rear (RH)	9	3290-506	4	Palnut
4	93-8941-03	1	Bracket-Fender, Front (LH)	10	3234-17	4	Screw-HHF
5	93-8942-03	1	Bracket-Fender, Front (RH)	11	104-8300	4	Nut-HF, NI
6	115-2289-03	2	Bracket-Light, Tail	12	32105-15	12	Screw-HWH
7	115-7745	2	Light-Tail, Brake	13	105-6245	6	Screw-Tapping
7:1	87-6300	1	Lens-Light, Tail	14	104-7201	12	Nut-HF
7:2	87-6310	1	Gasket-Light, Tail				



## Front and Rear Wire Harness Assembly

<i>Ref.</i>	<i>Part Number</i>	<i>Qty.</i>	<i>Description</i>
1	115-2225	1	Bracket-Relay
2	107069	2	Clip
3	3234-4	2	Screw-HHF
5	99-7435	1	Relay-Power
7	32144-112	3	Screw-HWH
8	99-7430	3	Relay
9	32144-10	1	Screw-HWH
12	120-3990	1	Harness-Wire, Front
12:8	218-578	5	Fuse-Blade, 10 Amp
12:9	109355	2	Fuse-Blade, 15 Amp
12:11	100-4918	2	Diode
13	114-8380	1	Harness-Wire, Rear
13:1	100-4918	1	Diode
13:2	119-7787	1	Harness-Wire, Vertical Lift Shunt

# Attachments and Accessories

## For 07369 Workman HD Utility Vehicle with Bed

<b>Product Name</b>	<b>Model/Part</b>
Full Area Flatbed .....	07301
Full Area Flatbed Side Kit .....	07302
Fold Down Side Kit .....	07303
2/3 Area Flatbed .....	07321
2/3 Area Flatbed Side Kit .....	07322
Bed Liner .....	07331
Cab .....	07339
1/3 Area Flatbed .....	07341
1/3 Area Platform Lift .....	07347
Canopy .....	07372
Windshield .....	07373
Cab Door Kit .....	07375
Solid Window Cab Door Kit .....	07376
Hitch Frame Kit .....	07377
4 Post Roll-Over Protection System .....	07378
Rear PTO Kit .....	07419
Hand Throttle Kit .....	07420
Spiker .....	08856
Finish Grader .....	08867
Backup Alarm Kit .....	107-8037
Premium ATF (Drum) .....	108-1185
Premium ATF (Pail) .....	108-1186
Premium All Purpose Grease (Tube) .....	108-1190
Remote Hydraulics Manifold Kit .....	110-2626
Tire-Rear, 24x13-12 .....	110-5132
Spark Arrestor Kit .....	112-1688
Wheel-12in x 8.0in .....	114-8260
Tachometer And Speedometer Kit .....	115-7786
Horn Kit .....	115-7825
Side Mirror Kit .....	115-7849
Roll-Over Protection System Signal Kit .....	117-4825
Worklight Kit .....	117-4827
Remote Hydraulic Float Kit .....	117-4828
Cab Mirror Kit .....	117-4830
Receiver Hitch Kit .....	117-4831
Trailer Signal Kit .....	117-4836
Trailer Brake Kit .....	117-4837
24x13-12 Tire and Wheel ASM .....	117-4838
Sprayer Cylinder Lift Kit, Workman 200 Spray System .....	117-4846
Harness-Wire, Speedometer Adapter .....	119-1762
Tapered Nozzle Kit .....	119-6280
Rectangular Nozzle Kit .....	119-6281
Nozzle-Extension, Straight .....	119-6282
Nozzle-Extension, Tapered .....	119-6283
Nozzle-Extension, Rectangular .....	119-6284
Canopy for Four-Post Roll-Over Protection System Kit .....	119-9457



## Attachments and Accessories (continued)

Road Light and Homologation Kit .....	120-5030
Brake and Signal Light Kit.....	120-5045
Single Nozzle Kit.....	41024
Hose Reel Kit.....	41097
Spray Gun Kit 9 (inc. 25ft Of 1/2in Hose) .....	41133
Pro Foam Concentrate (4 x 1 Gallon) .....	41157
Sonic Boom Kit .....	41217
Workman 200 Spray System .....	41235
Foam Marker Kit .....	41236
Topdresser 1800.....	44225
Core Harvester Adapter Kit.....	44242
Pro Force Debris Blower.....	44538
Road-Ready Pro Force Debris Blower.....	44539
Workman HD Bed Mount Kit, Pro Force Debris Blower .....	44544
Bed Mount Sound Barrier Kit, Pro Force Debris Blower .....	44546
ProPass 200 Top Dresser with Twin Spinner and Wireless Control .....	44700
ProPass 200 Top Dresser with Twin Spinner .....	44701
Twin Spinner.....	44702
Conveyor and Swivel Kit.....	44703
Tow-Type Chassis .....	44704
Tow-Type Chassis Fender Kit .....	44705
Tow-Type Chassis Hose Assembly Kit.....	44706
Toro Workman Chassis.....	44707
Storage Stand.....	44712
Hydraulic Power Pack.....	44713
Automatic Tailgate Release Kit .....	92-1220
Fuse Block.....	92-2641
PTO Over Running Clutch Kit .....	92-2655
Topdresser 1800 Lift Kit .....	92-4452
Mid-Mount Kit for Platform Lift.....	93-3741
1/3 Area Cover Kit .....	93-9225
Rear 1/3 Area Mounting Kit.....	93-9249
Tire-Rear, 23x8.50-12.....	98-2993
Tire-Rear, Industrial .....	99-1091

**Notes:**

**Notes:**



**Count on it.**