



Count on it.

Parts Catalog

**Workman® HD Utility Vehicle with
Bed**

Model No. 07369—Serial No. 312000001 and Up



Ordering Replacement Parts

To order replacement parts, please supply the part number, the quantity, and the description of each part desired.

Understanding Reference Numbers

Each identified part in an illustration has a reference number. The reference number for a part also appears in the parts list, along with other information about the part.

This catalog uses two special reference number formats, one to indicate parts in a service assembly and another to indicate the quantity of a given part in an illustration.

Service Assembly Reference Numbers

Parts in service assemblies have reference numbers in the form a:b. The a represents the reference number of the entire service assembly and the b represents a sequential number unique to each part within the service assembly.

For example, a wheel assembly might be identified by reference number 6, the tire by 6:1, the valve by 6:2, and the wheel by 6:3. When you order the assembly identified by reference number 6, you receive all parts identified by reference numbers 6:1, 6:2, and 6:3. However, you may also order any part individually. Reference numbers of this type appear in illustration and in parts lists.

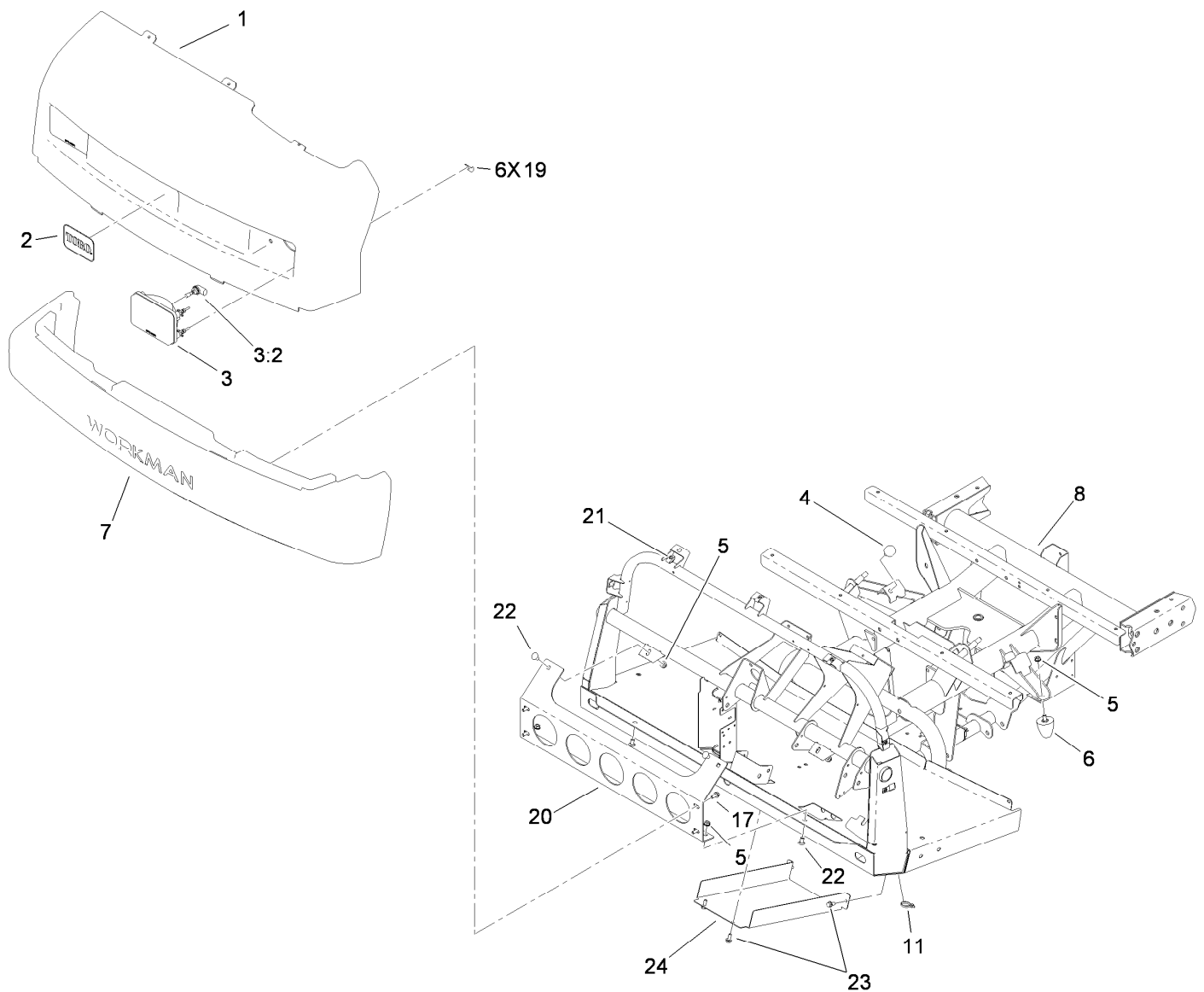
Reference Numbers Indicating Quantity

In an illustration, if a reference number indicates more than one part, the reference number has the form nX y. The n represents the quantity of the part, the X is the multiplication symbol, and the y represents the reference number.

For example, in an illustration, the reference number 2X 37 means that two of the parts identified by reference number 37 are indicated.

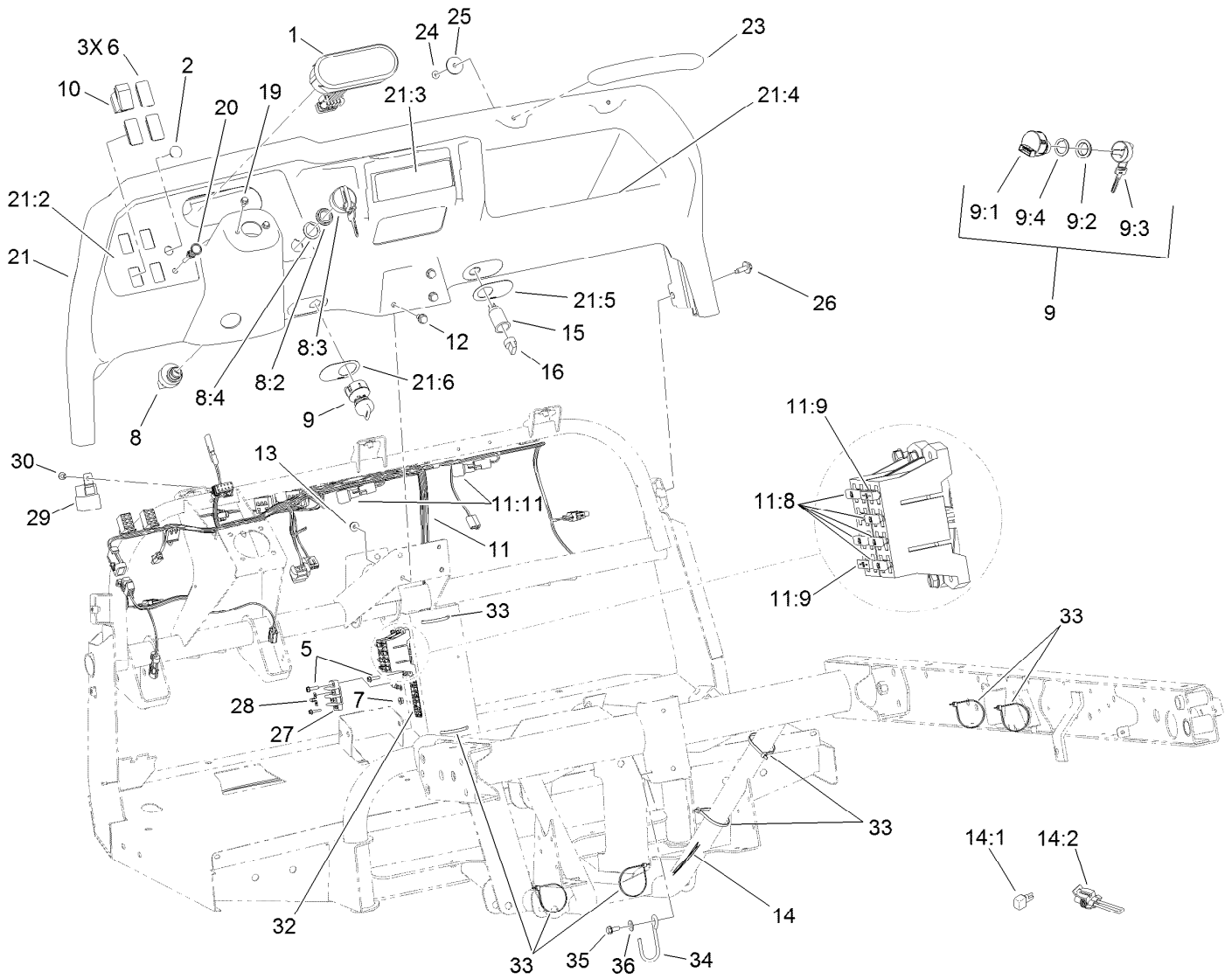
Contents

Hood and Bumper Assembly	4
Dash Assembly	5
Pedal Assembly	7
Master Cylinder Assembly No. 104-6782	8
Hydraulic Brake Line Assembly	9
Clutch Linkage Assembly	10
Shroud and Seat Assembly	11
Console Assembly	13
Shift Assembly No. 106-7887	15
Steering Hydraulic Assembly	16
Steering Valve Assembly No. 115-7926	17
Lift Valve and Hydraulics Assembly	18
Control Valve Assembly No. 43-1950	20
Hydraulic Cylinder Assembly No. 106-7939	21
Front Wheel Assembly	22
Brake Caliper Assembly No. 119-9535	23
Hydraulic Cylinder Assembly No. 112-3217	24
Steering Linkage Assembly	25
Front Suspension Assembly	26
Front Control Arm Assembly	27
Rear Frame Assembly	28
Rear Axle Assembly	29
Driveshaft Assembly No. 114-8367	30
Transaxle Assembly	31
Case Assembly Transaxle Assembly No. 115-7783	32
Center Plate Assembly Transaxle Assembly No. 115-7783	33
Main Shaft Assembly Transaxle Assembly No. 115-7783	34
Reduction Shaft Assembly Transaxle Assembly No. 115-7783	35
Reverse Shaft Assembly Transaxle Assembly No. 115-7783	36
Main Shift Assembly Transaxle Assembly No. 115-7783	37
Hi-Lo Shift Assembly Transaxle Assembly No. 115-7783	38
Countershaft Assembly Transaxle Assembly No. 115-7783	39
Differential Gear Assembly Transaxle Assembly No. 115-7783	40
Differential Carrier Assembly Transaxle Assembly No. 115-7783	41
Differential Lock Assembly Transaxle Assembly No. 115-7783	42
Axle Shaft Assembly Transaxle Assembly No. 115-7783	43
Battery Assembly	44
Tail Light and Fender Assembly	45
Roll-Over Protection System Assembly	46
Relay Assembly	47
Fuel System Assembly	48
Engine Assembly	49
Muffler Assembly	51
Engine Support Assembly	52
Hydraulic Gear Pump Assembly No. 112-2983	53
Full Bed and Side Panel Assembly	54
Attachments and Accessories	55



Hood and Bumper Assembly

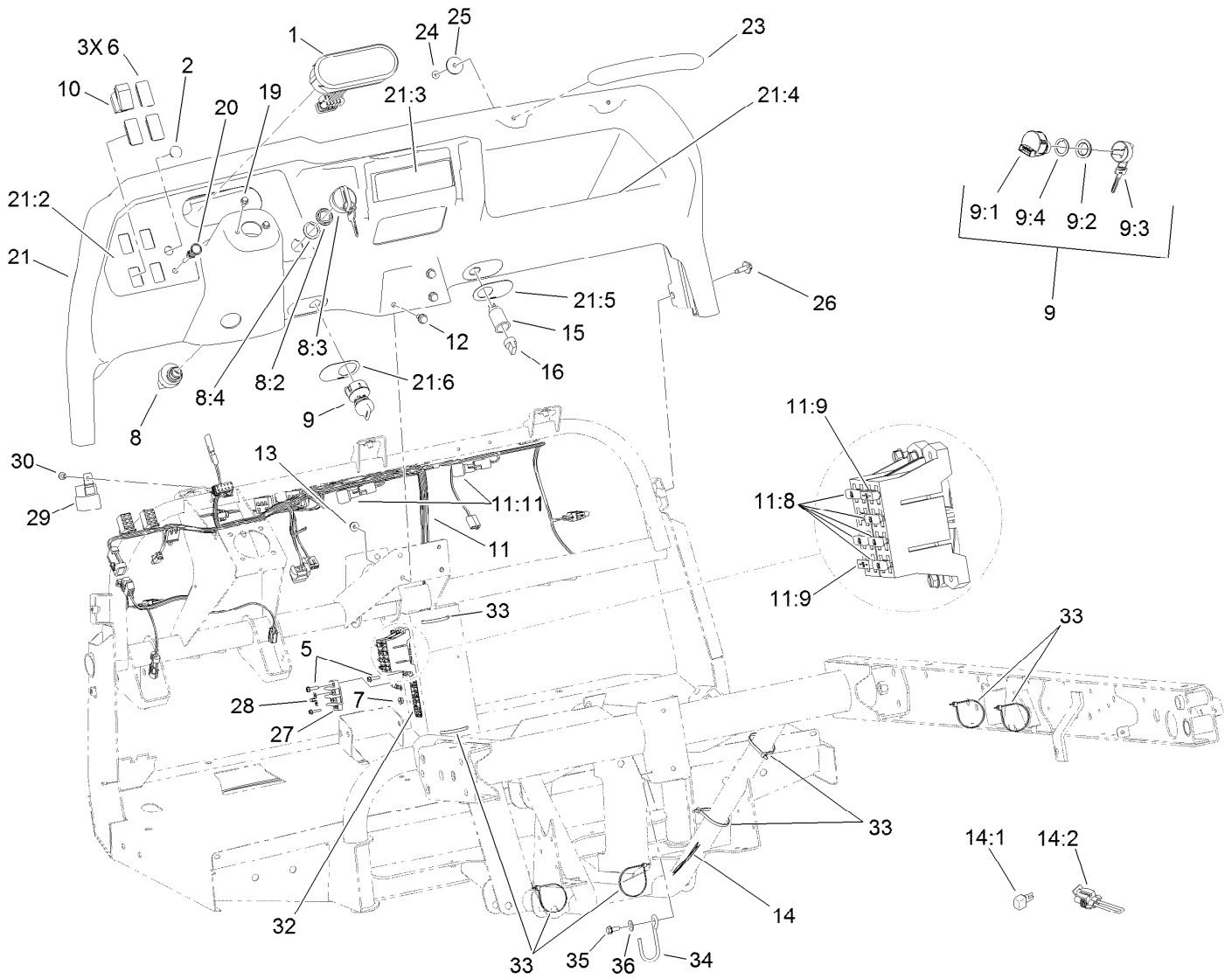
<i>Ref.</i>	<i>Part Number</i>	<i>Qty.</i>	<i>Description</i>	<i>Ref.</i>	<i>Part Number</i>	<i>Qty.</i>	<i>Description</i>
1	112-3183	1	Hood	11	3290-379	1	Tie-Cable
2	117-4950	1	Decal	17	3234-5	4	Screw-HHF
3	114-8322	2	Headlight ASM	19	114-8341	6	Clip
3:2	115-2395	1	Bulb-Light	20	114-8272-03	1	Bracket-Bumper
4	87-2440	2	Bumper-Rubber	21	94-2413	7	Nut-U
5	3290-357	6	Nut-HHF, Whiz	22	3231-21	4	Screw-CARR
6	26-0071	2	Snubber-Rubber	23	32144-11	4	Screw-HWHTF
7	112-3185	1	Bumper	24	106-2427-03	1	Cover
8	119-0949-03	1	Frame-Front				



Dash Assembly

Ref.	Part Number	Qty.	Description	Ref.	Part Number	Qty.	Description
1	114-8300	1	Cluster-Instrument	11:11	100-4918	2	Diode
2	94-5627	1	Plug	12	3234-5	3	Screw-HHF
5	32105-13	6	Screw-HWH	13	104-8300	3	Nut-HF, NI
6	99-7420	3	Plug-Hole	14	114-8380	1	Harness-Wire, Rear
7	3290-148	6	Nut-HF	14:1	100-4918	1	Diode
8	106-5269	1	Ignition Switch ASM	14:2	119-7787	1	Harness-Wire, Vertical Lift Shunt
8:2	108-8660	1	Nut-Mounting	15	99-7411	1	Point-Power
8:3	106-5270	1	Ignition Key Set	16	99-7416	1	Cap
8:4	108-8659	1	Washer-Backup	19	33103-012	2	Screw-HHF
9	110-2580	1	Switch-Key, Supervisor	20	106-7943	1	Cable-Control, Choke
9:1		1	Switch-Key ●	21	115-7912	1	Dash ASM
9:2	108-8660	1	Nut-Mounting	21:2	115-2281	1	Decal-Dash
9:3	110-5221	1	Set-Key, Supervisor	21:3	115-7746	1	Decal-Danger
9:4	108-8659	1	Washer-Backup	21:4	115-2282	1	Decal-Warning, Dash
10	95-8999	1	Switch	21:5	106-2353	1	Decal-Powerpoint
11	120-3990	1	Harness-Wire, Front	21:6	106-2355	1	Decal-Switch, Supervisor
11:8	218-578	5	Fuse-Blade, 10 Amp	23	117-4948	1	Handle-Grab
11:9	109355	2	Fuse-Blade, 15 Amp				

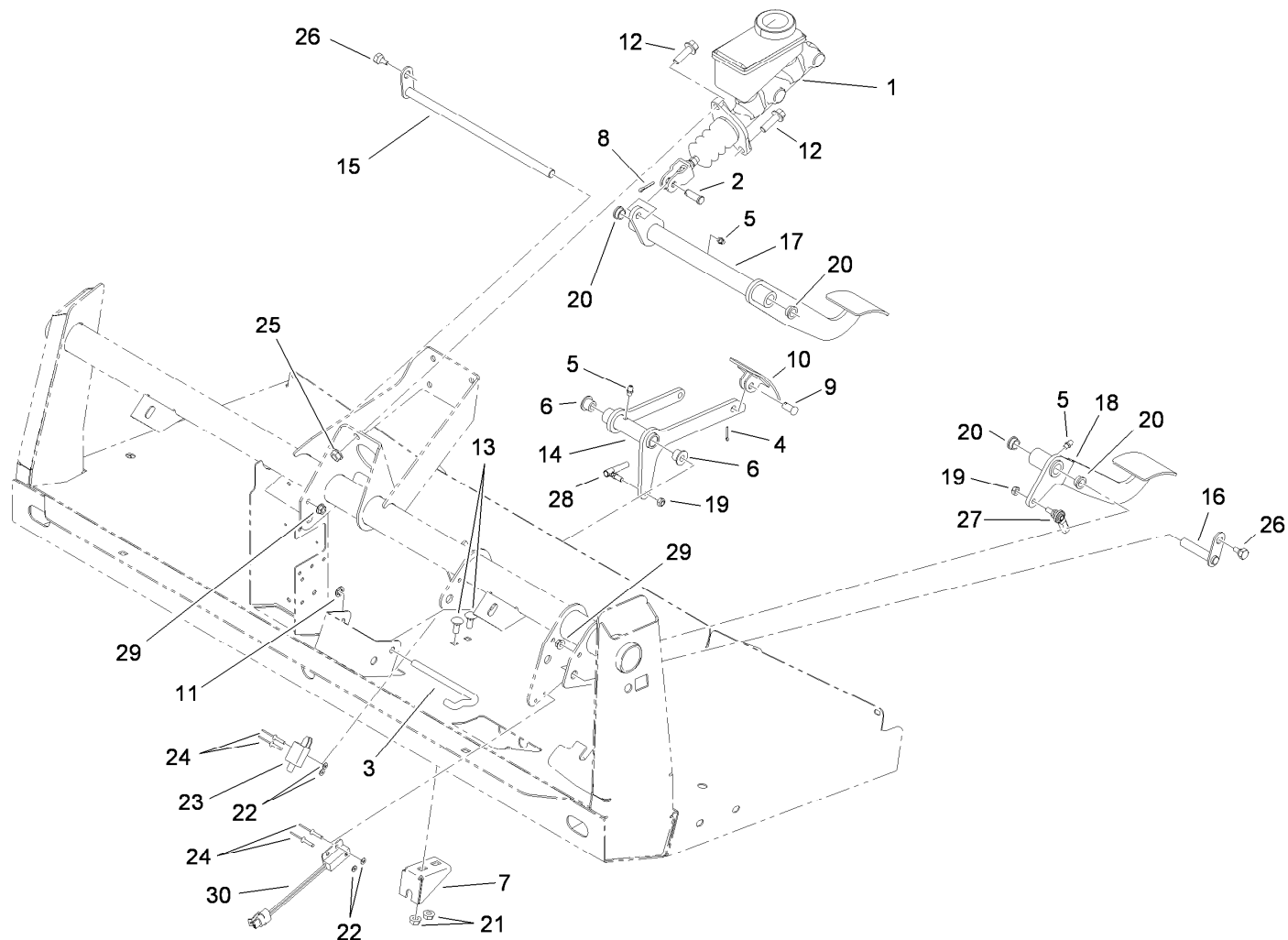
● Not serviced separately



Dash Assembly (continued)

Ref.	Part Number	Qty.	Description	Ref.	Part Number	Qty.	Description
24	104-7201	2	Nut-HF	30	32144-10	1	Screw-HWH
25	103995	2	Washer	32	115-7813	1	Decal-Fuse
26	114-8418	7	Screw-HWH, Sems	33	3290-379	8	Tie-Cable
27	42862	1	Block-Terminal, Ground	34	117-4860	1	Guide-Cable
28	42863	1	Strip-Jumper	35	32144-11	1	Screw-HWHTF
29	99-7430	1	Relay	36	3256-71	1	Washer-Flat

● Not serviced separately



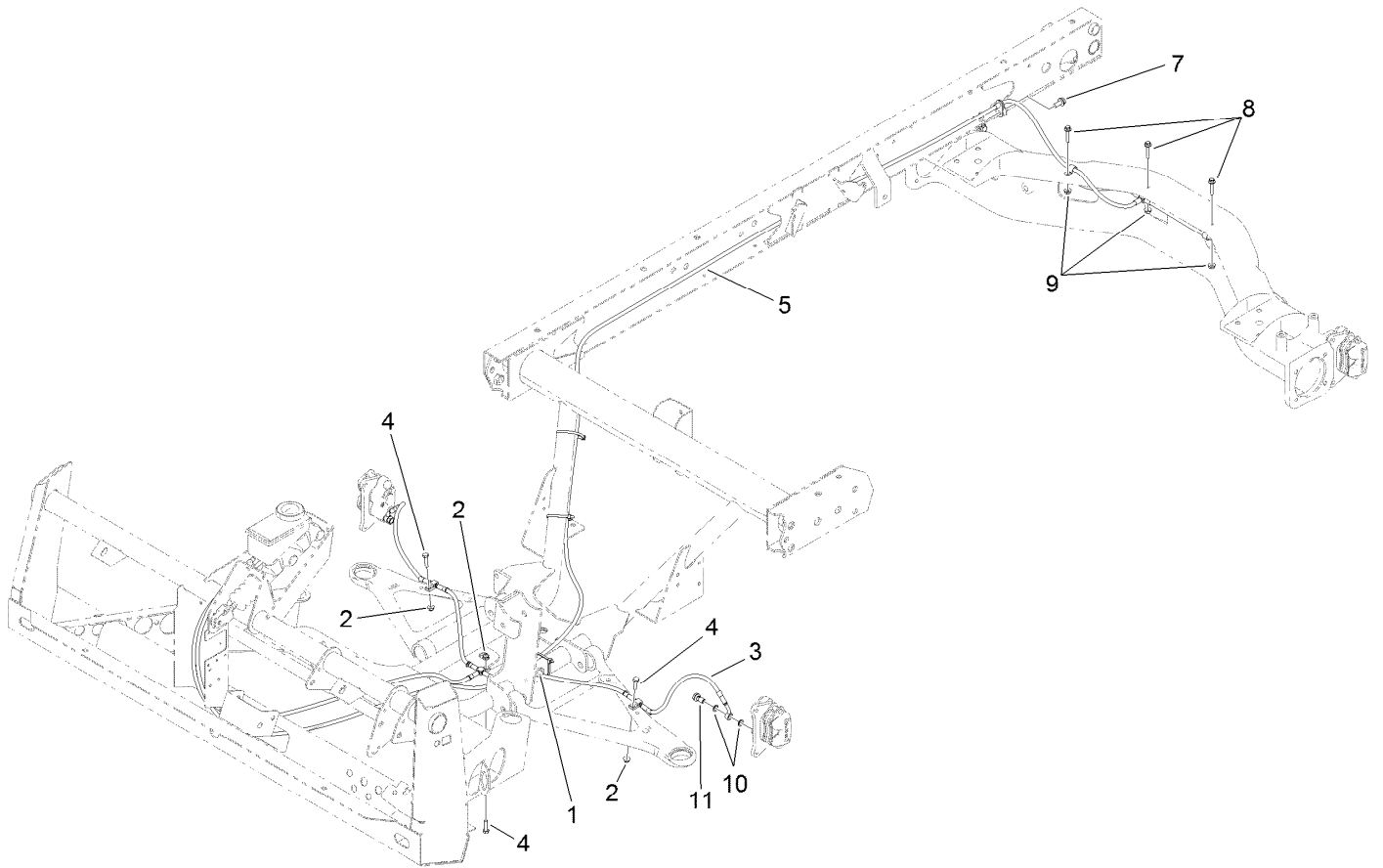
Pedal Assembly

Ref.	Part Number	Qty.	Description	Ref.	Part Number	Qty.	Description
1	104-6782	1	Master Cylinder ASM	16	115-2269	1	Pin-Pivot
2	283-2	1	Pin-Clevis	17	115-2275-03	1	Pedal-Brake
3	87-2880	1	Shaft-Pedal, Accelerator	18	115-2271-03	1	Pedal-Clutch
4	3272-6	1	Pin-Cotter	19	3296-13	2	Nut-Lock, NI
5	302-5	3	Fitting-Grease	20	256-156	4	Bushing-Flange
6	256-259	2	Bushing-Flange	21	32128-20	2	Nut-HF
7	106-2421	1	Bracket-Mount, Cable	22	3256-21	4	Washer-Flat
8	3272-10	1	Pin-Cotter	23	95-1653	1	Switch-Pole, Single
9	283-85	1	Pin-Clevis	24	3269-25	4	Rivet-Pop
10	93-8969-03	1	Pedal	25	3290-357	2	Nut-HHF, Whiz
11	32151-56	1	Ring-Retaining, External	26	63-3410	2	Screw-Shoulder
12	3234-11	2	Screw-HHF	27	110-2554	1	Rod End-Spherical
13	3230-1	2	Bolt-CARR	28	18-1720	1	Ball Joint
14	106-2471-03	1	Arm-Pedal, Accelerator	29	32128-33	2	Nut-HF
15	106-2475	1	Shaft-Brake	30	105-0023	1	Switch-Proximity



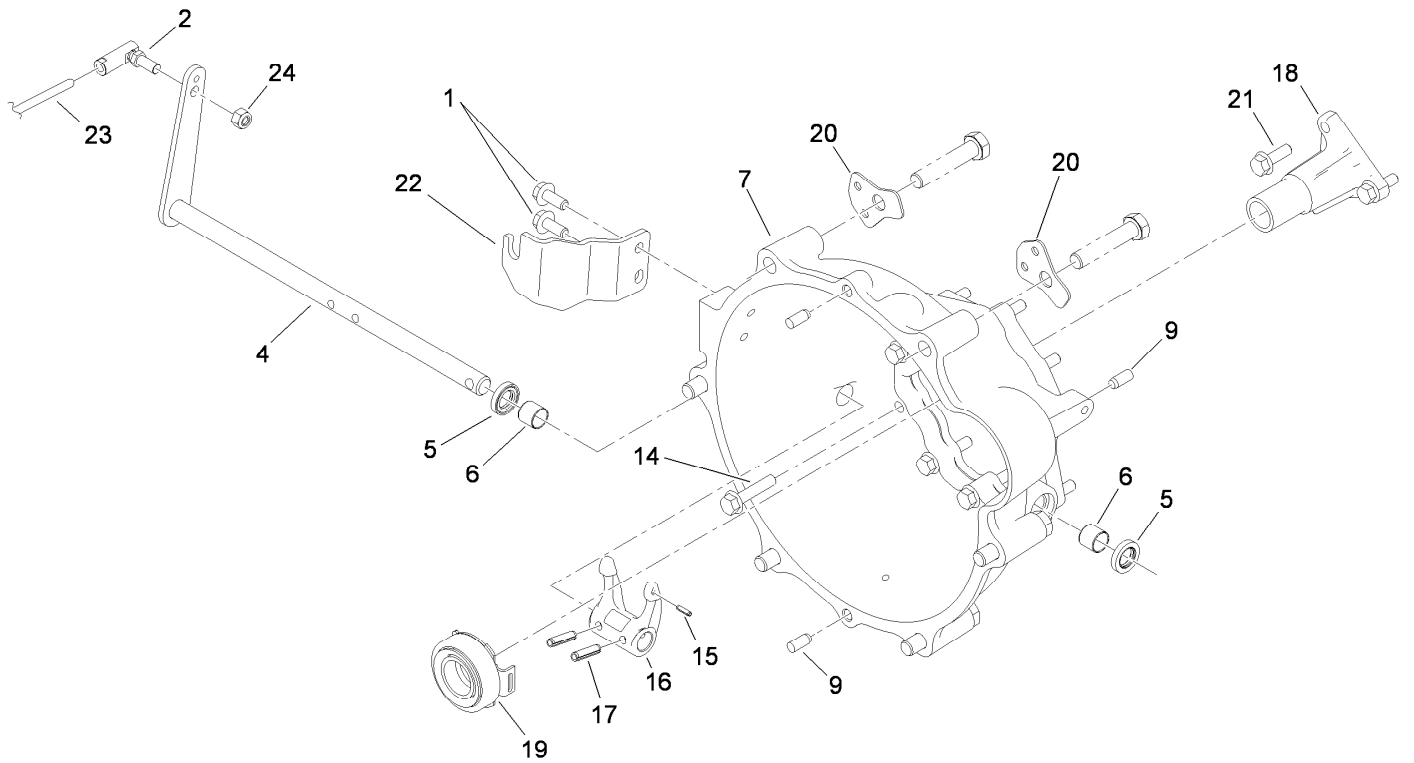
Master Cylinder Assembly No. 104-6782

Ref.	Part Number	Qty.	Description
1	104-6845	1	Reservoir ASM
1:1	92-4112	1	Cap ASM
2	93-8971	2	Seal-Port, Flange
3	92-4103	1	Pin-Stop
4	92-4102	1	Secondary Piston ASM
5	92-4110	1	Clevis
6	21-0360	1	Nut-Hex
7	94-5209	1	Cover-Dust
8	94-5210	1	Rod-Push
9	92-4109	1	Ring-Snap
10	92-4108	1	Retainer-Washer
11	92-4101	1	Primary Piston ASM



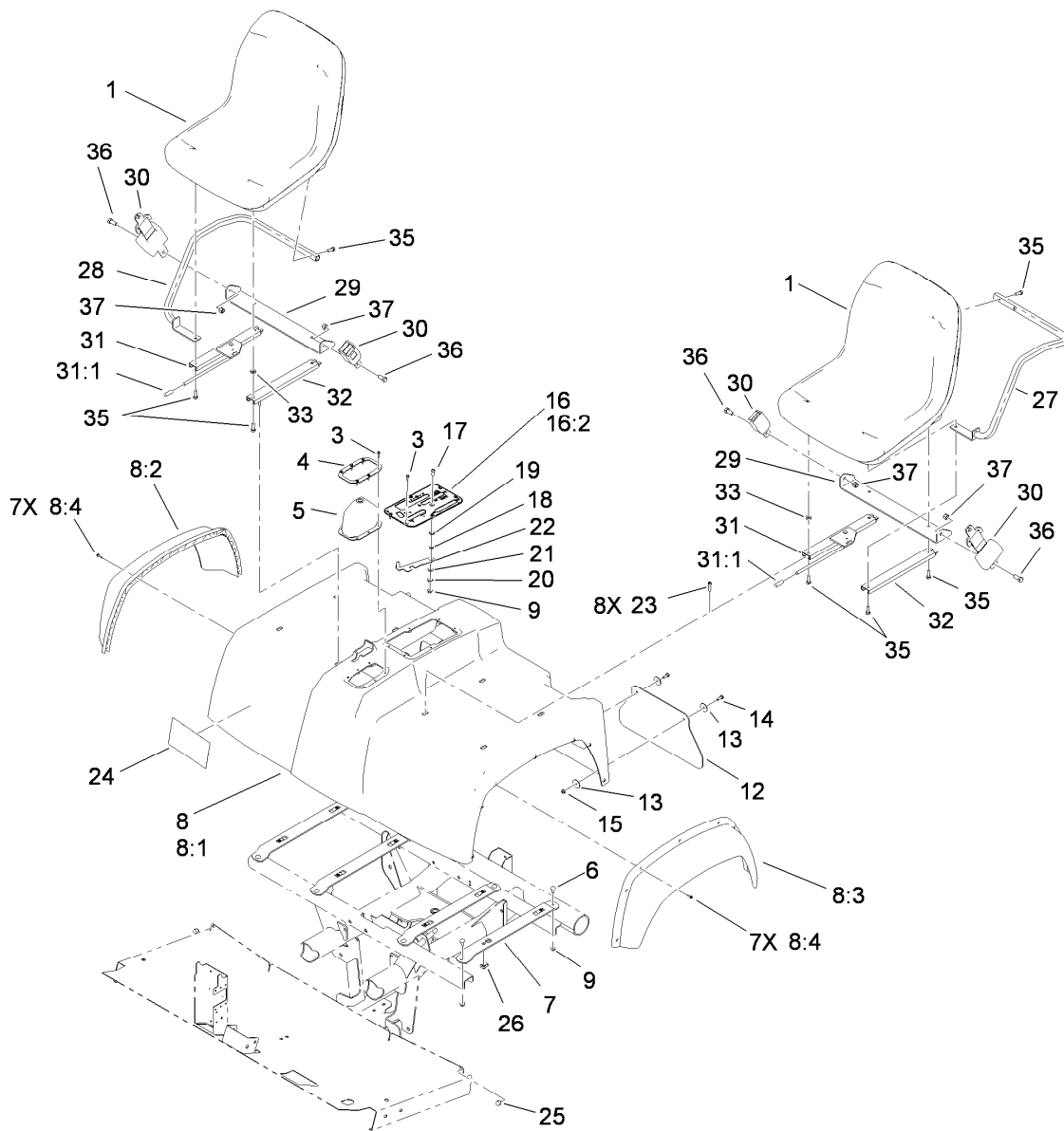
Hydraulic Brake Line Assembly

<i>Ref.</i>	<i>Part Number</i>	<i>Qty.</i>	<i>Description</i>
1	32180-030	2	Clip-Tie
2	104-7201	3	Nut-HF
3	119-9682	1	Front Brake Line ASM
4	321-6	3	Screw-HH
5	119-9681	1	Rear Brake Line ASM
7	32144-11	1	Screw-HWHTF
8	3234-21	3	Screw-HHF
9	32128-33	3	Nut-HF
10	115-2341	8	Washer-Banjo
11	120-4875	4	Bolt-Flange, Banjo



Clutch Linkage Assembly

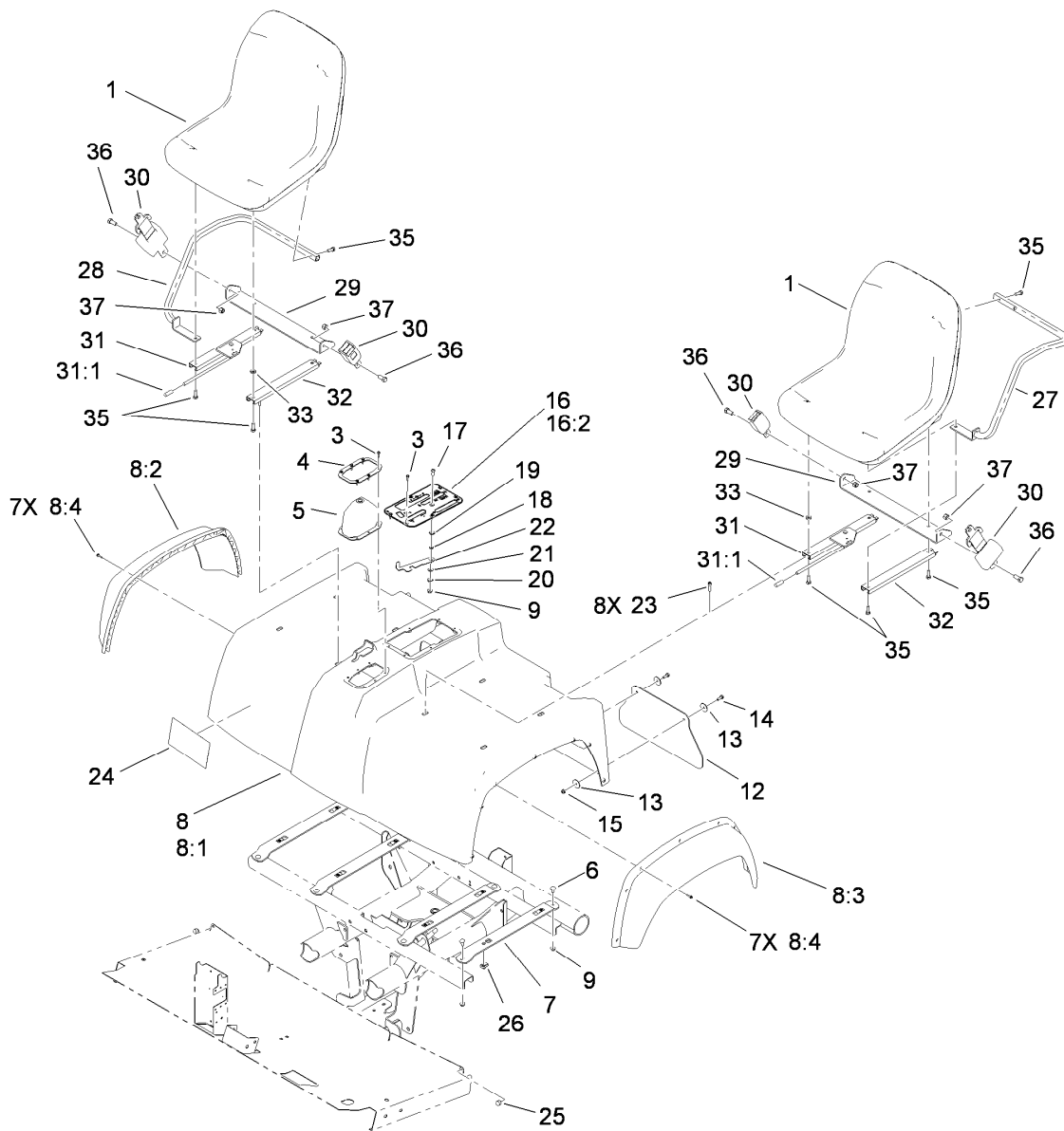
<i>Ref.</i>	<i>Part Number</i>	<i>Qty.</i>	<i>Description</i>	<i>Ref.</i>	<i>Part Number</i>	<i>Qty.</i>	<i>Description</i>
1	98-7977	2	Screw-HHF	16	87-5300	1	Fork-Clutch
2	2411-33	1	Balljoint-RH (W/Grommet)	17	32121-24	2	Pin-Spring
4	115-2311	1	Lever-Clutch	18	115-2259	1	Guide-Release
5	87-1920	2	Seal-Oil	19	110-2538	1	Bearing-Release, Clutch
6	87-3770	2	Bushing-Housing, Bell	20	115-2247	2	Bracket-Harness
7	104-9249	1	Housing-Bell	21	33104-025	3	Screw-HHF
9	87-1910	4	Pin-Dowel	22	115-2313	1	Bracket-Cable, Clutch
14	33104-040	9	Screw-HHF	23	115-2284	1	Cable-Clutch
15	32121-7	1	Pin-Roll, Slotted	24	3296-4	1	Nut-Lock



Shroud and Seat Assembly

Ref.	Part Number	Qty.	Description	Ref.	Part Number	Qty.	Description
1	112-2923	2	Seat ASM	17	3274-55	1	Screw-HSBH
3	98-1375	12	Screw-HWH	18	82-4240	1	Spacer-Bearing
4	87-3760-03	1	Plate-Boot, Shift	19	94-8196	1	Washer-Nylon
5	87-8620	1	Boot-Shift	20	3290-221	1	Washer-Spring
6	3230-1	8	Bolt-CARR	21	3256-23	1	Washer-Plain
7	115-2435-03	4	Bracket-Seat	22	106-7984	1	Lever-Detent
8		1	Seat Base ASM ●	23	3274-22	8	Screw-HSH
8:1	114-8406	1	Base-Seat	24	115-7814	1	Decal-Reference, Quick
8:2	114-8407	1	Fender-Front, RH	25	107-8042	2	Bumper-Rubber
8:3	114-8408	1	Fender-Front, LH	26	115-7721	8	Nut-Clip, U
8:4	117-5036	14	Screw-HWH	27	119-0731-03	1	Armrest-LH
9	104-8300	9	Nut-HF, NI	28	119-0732-03	1	Armrest-RH
12	106-2378	2	Mudflap	29	119-0727-03	2	Bracket-Belt, Seat
13	3256-55	8	Washer-Flat	30	110-0413	2	Seatbelt-Retractable
14	3234-4	4	Screw-HHF	31	119-0654	2	Adjuster-Seat, Locking
15	104-7201	4	Nut-HF	31:1	2410-49	1	Cap-Vinyl
16	106-7886	1	Control Plate ASM	32	119-0655	2	Adjuster-Seat, Non Locking
16:2	106-2377	1	Decal-Console	33	104-7658	2	Spacer

● Not serviced separately

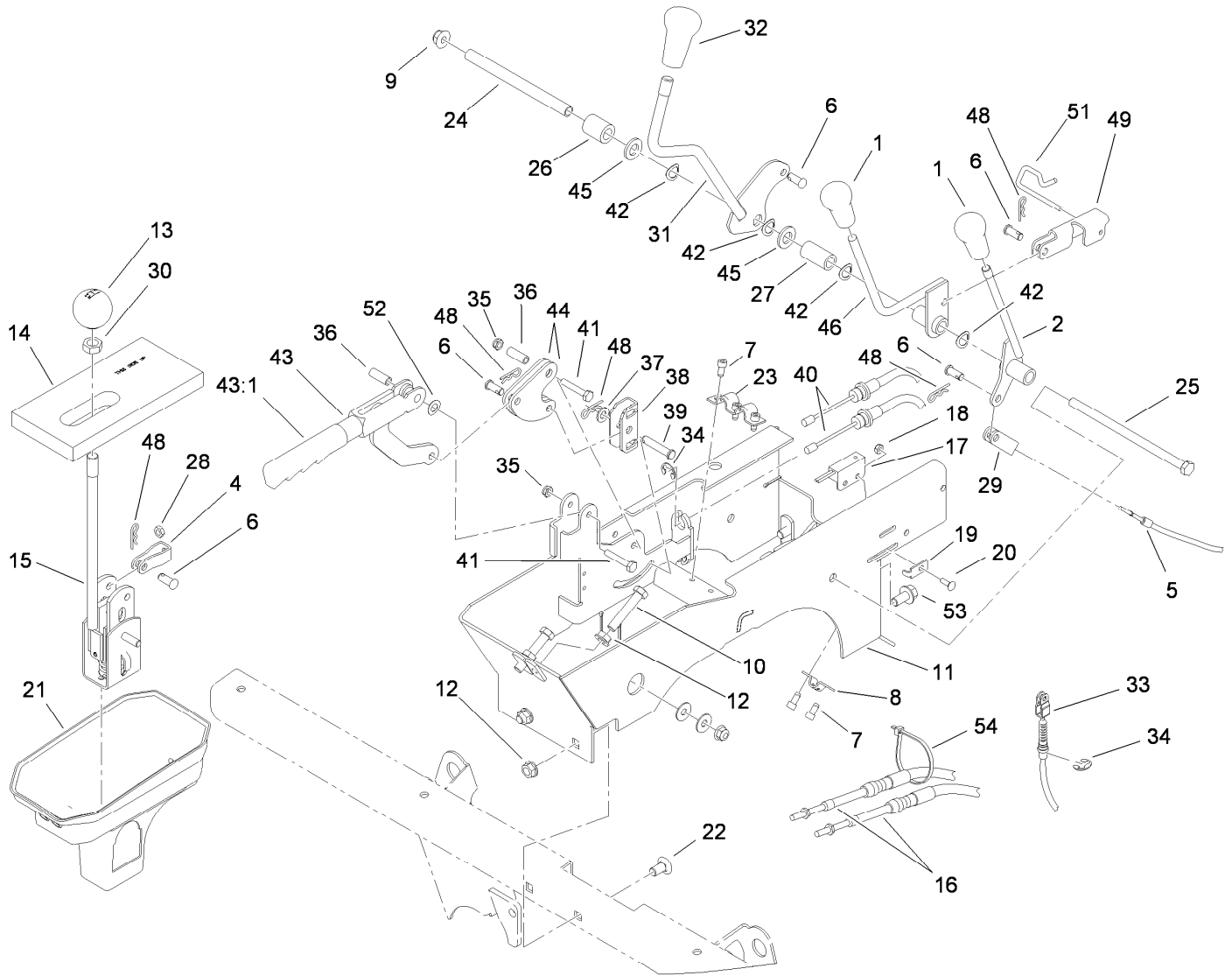


Shroud and Seat Assembly (continued)

Ref.	Part Number	Qty.	Description
35	33114-030	12	Screw-HH

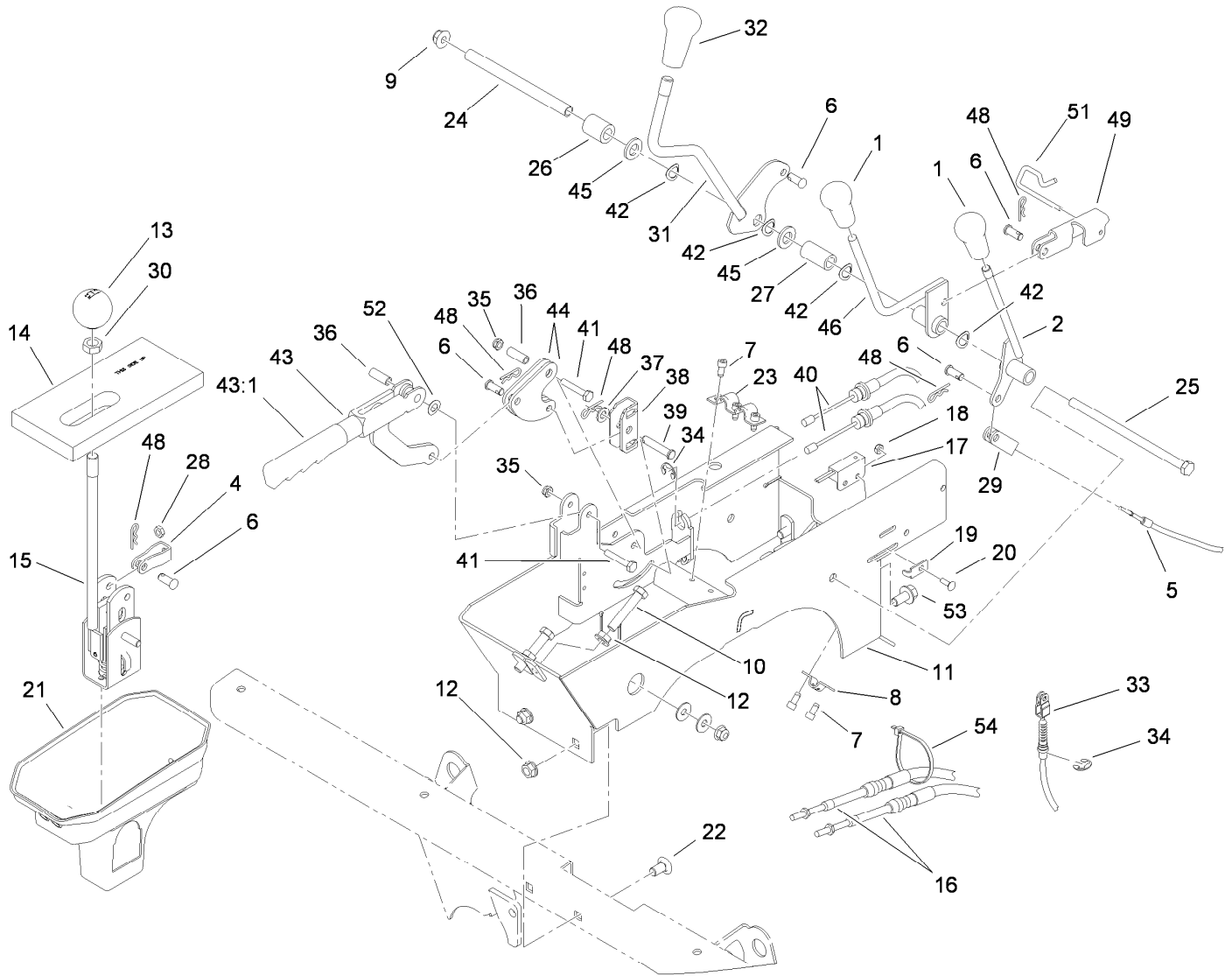
Ref.	Part Number	Qty.	Description
36	3212-4	4	Screw-HH
37	3296-7	4	Nut-Lock

● Not serviced separately



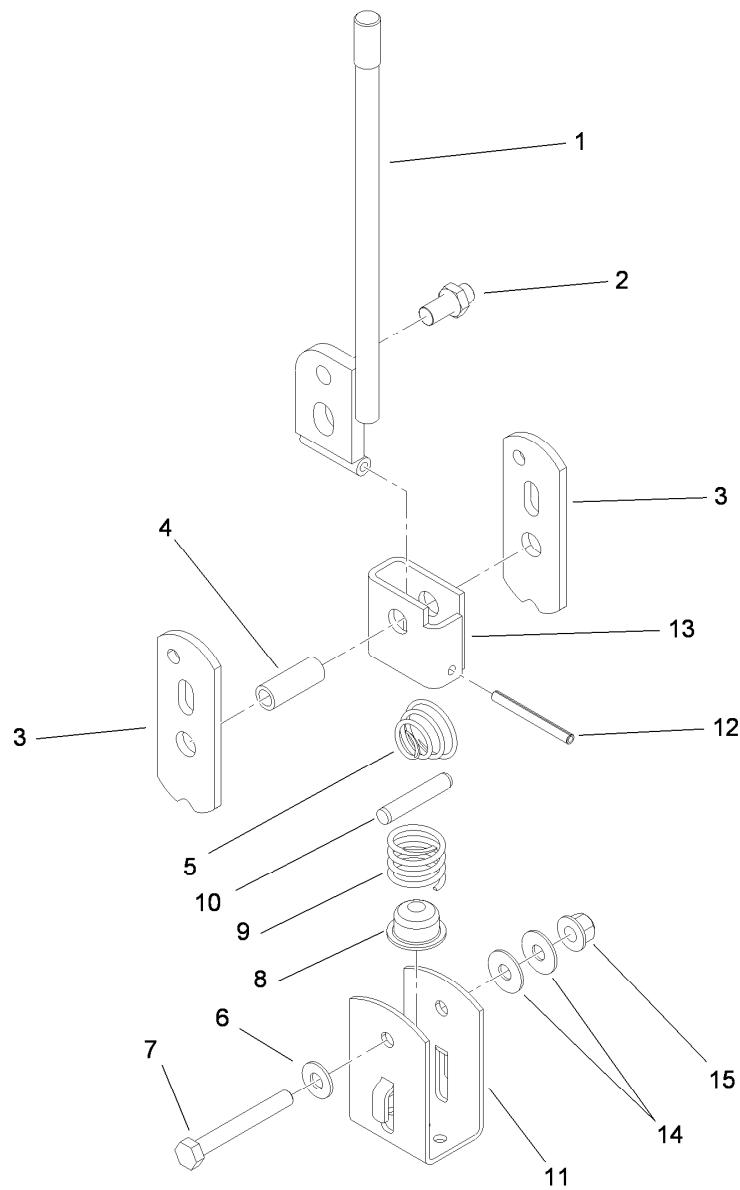
Console Assembly

Ref.	Part Number	Qty.	Description	Ref.	Part Number	Qty.	Description
1	106-7903	2	Knob-Control	22	3231-21	2	Screw-CARR
2	106-7828	1	Lever	23	87-4960	1	Clamp-Cable
4	87-2310	2	Clevis-Cable	24	106-7833	1	Spacer
5	115-7812	1	Cable-Hi Low	25	323-36	1	Screw-HH
6	283-62	6	Pin-Clevis	26	66-6501	1	Spacer-Wheel
7	65-5220	5	Screw-HSH, Thread Forming	27	120-5037	1	Spacer
8	87-4340	1	Clamp-Cable	28	3220-1	2	Nut-Jam
9	104-8301	1	Nut-HF, NI	29	87-7160	1	Clevis-Cable
10	323-10	2	Screw-HH	30	3218-18	1	Nut-Jam
11	108-6914-03	1	Support-Lever	31	112-3008	1	Lever-Lock, Differential
12	3290-357	4	Nut-HHF, Whiz	32	106-7952	1	Knob
13	87-6720	1	Knob-Shift	33	115-2287	1	Cable-Lock, Differential
14	87-6570	1	Seal-Boot, Lower	34	32120-47	3	Ring-Retaining, External
15	106-7887	1	Shift ASM	35	3296-56	2	Nut-Lock, NI
16	115-7811	2	Cable Selector, Gear	36	114402	2	Spacer
17	100-1270	1	Switch-Proximity	37	3256-23	1	Washer-Plain
18	3296-12	1	Nut-Lock, NI	38	87-3480	1	Bracket-Equalizer, Cable
19	100-4872	1	Plate-Switch, Neutral	39	94-3829	1	Pin-Clevis
20	3229-34	1	Screw-CARR	40	115-2283	2	Cable-Brake, Park
21	106-2376	1	Boot-Shift, Lower	41	321-9	2	Screw-HH
				42	3290-221	4	Washer-Spring



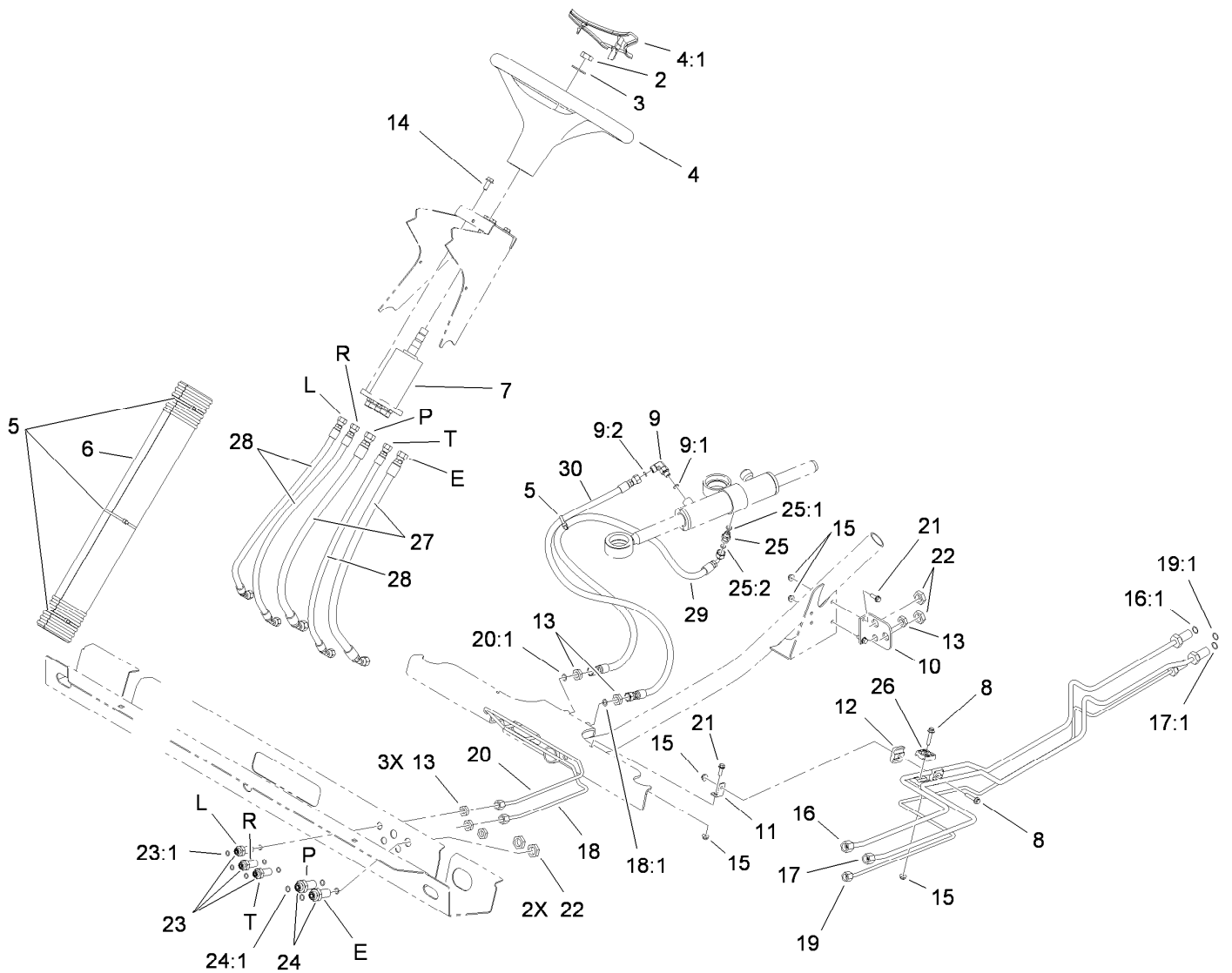
Console Assembly (continued)

<i>Ref.</i>	<i>Part Number</i>	<i>Qty.</i>	<i>Description</i>	<i>Ref.</i>	<i>Part Number</i>	<i>Qty.</i>	<i>Description</i>
43	104-6842	1	Lever-Brake, Park	49	115-2250	1	Link
43:1	106-7972	1	Grip-Handle	51	115-2350	1	Pin-Retainer
44	106-7814	2	Bellcrank	52	3290-477	1	Washer-Curved
45	33096-00	2	Washer-Flat	53	3234-12	2	Screw-HHF
46	106-7960	1	Lever-HYD	54	3290-379	3	Tie-Cable
48	3290-307	7	Pin-Cotter				



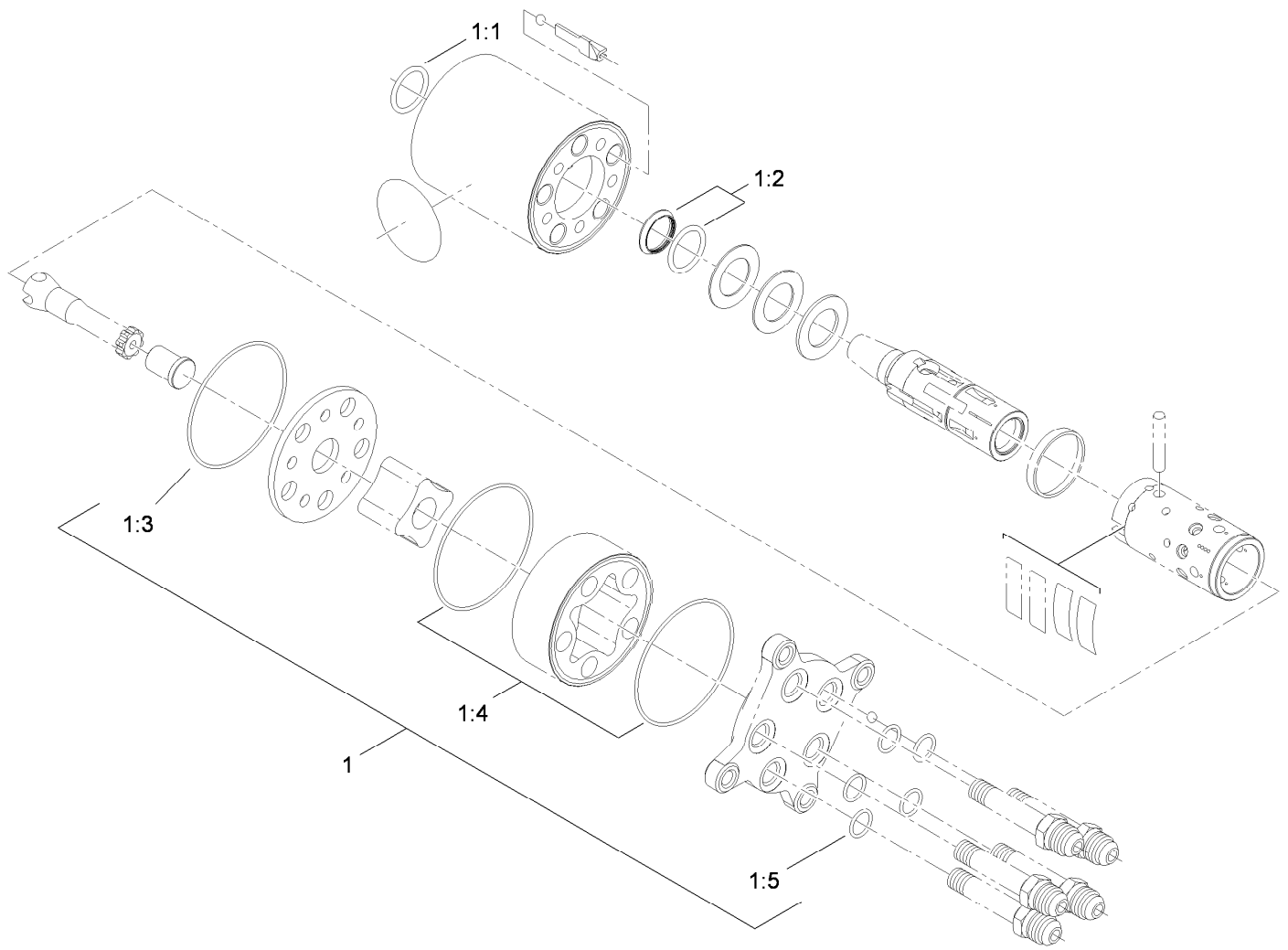
Shift Assembly No. 106-7887

<i>Ref.</i>	<i>Part Number</i>	<i>Qty.</i>	<i>Description</i>
1	87-2040	1	Lever-Shift
2	87-3650	1	Pin-Shift
3	87-3540	2	Link-Shift
4	87-2520	1	Tube-Pivot
5	87-2900	1	Spring-Compression
6	87-8640	1	Washer-Flat
7	322-12	1	Screw-HH
8	87-3530	1	Button-Shifter
9	87-3660	1	Spring-Compression
10	3290-507	1	Pin-Dowel
11	87-3520	1	Clevis
12	32121-48	1	Pin-Spring
13	87-6040	1	Bracket-Shifter
14	3290-456	2	Washer-Belleville
15	104-8300	1	Nut-HF, NI



Steering Hydraulic Assembly

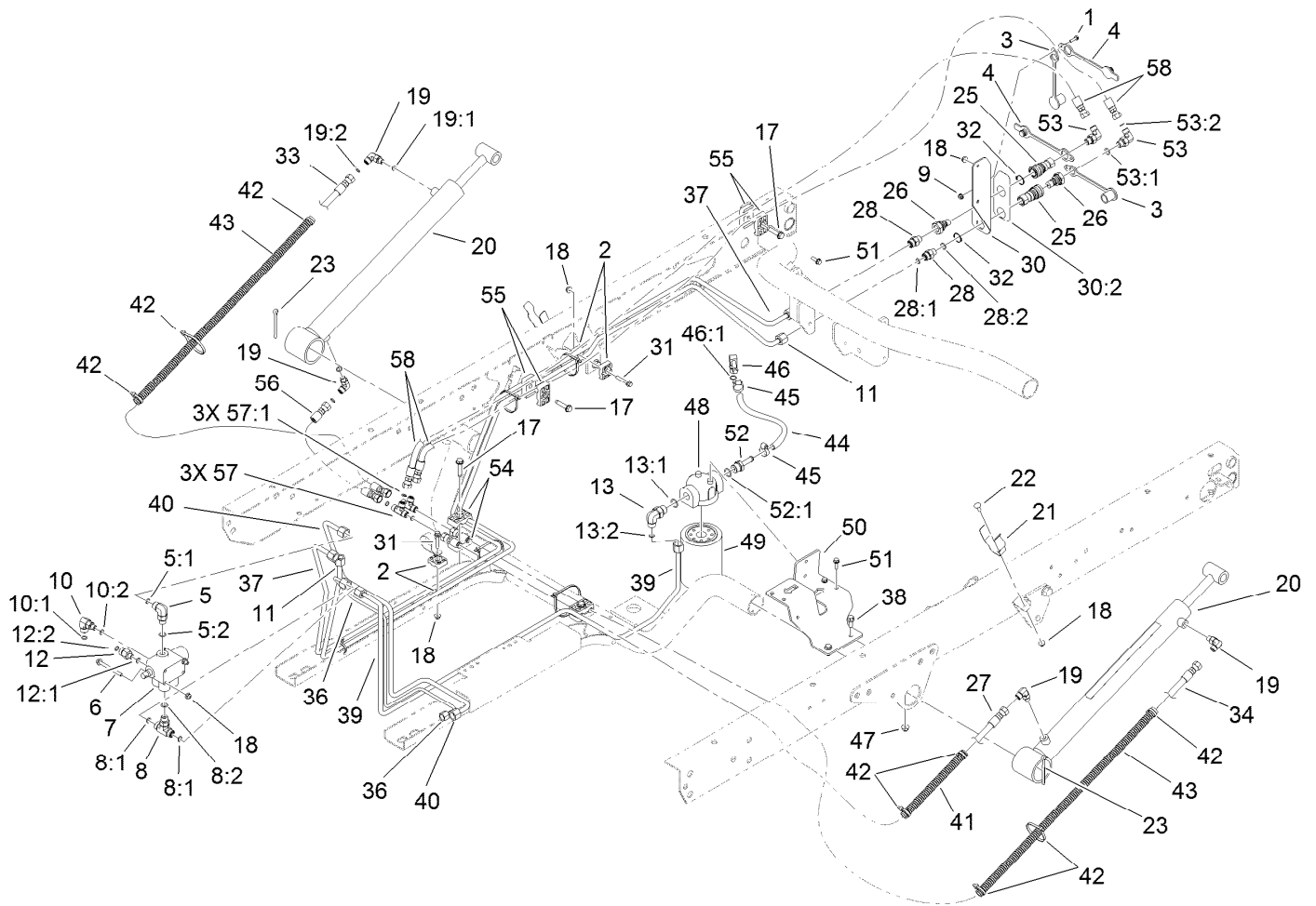
Ref.	Part Number	Qty.	Description	Ref.	Part Number	Qty.	Description
2	3296-33	1	Nut-Lock, NI	18	106-7804	1	Tube-HYD
3	3256-27	1	Washer-Flat	18:1	237-21	1	O-Ring
4	98-1471	1	Wheel-Steering	19	115-7703	1	Tube-HYD
4:1	98-1468	1	Cover-Wheel, Steering	19:1	237-21	1	O-Ring
5	3290-379	4	Tie-Cable	20	106-7806	1	Tube-HYD
6	106-6713	1	Cover-Lines, Steering	20:1	237-21	1	O-Ring
7	115-7926	1	Pump-Steering	21	3234-4	3	Screw-HHF
8	3234-21	2	Screw-HHF	22	340-70	4	Nut-Lock
9	340-132	1	Fitting-90 DEG	23	94-1444	3	Union-Bulkhead
9:1	237-78	1	O-Ring	23:1	237-21	2	O-Ring
9:2	237-21	1	O-Ring	24	340-71	2	Fitting-Straight, Bulkhead
10	106-7801-03	1	Bracket-Line, Steering	24:1	237-22	2	O-Ring
11	106-7807	1	Bracket-Line, Steering	25	340-92	1	Fitting-Straight
12	106-7839	2	Clamp-Tube	25:1	237-78	1	O-Ring
13	3219-10	6	Nut-Hex	25:2	237-21	1	O-Ring
14	98-7977	4	Screw-HHF	26	56-7973	2	Clamp-Tube
15	104-7201	5	Nut-HF	27	106-7975	2	Hose-HYD
16	115-7701	1	Tube-HYD	28	106-7974	3	Hose-HYD
16:1	237-22	1	O-Ring	29	117-4861	1	Hose-HYD
17	115-7702	1	Tube-HYD	30	108-6505	1	Hose ASM
17:1	237-22	1	O-Ring				



Steering Valve Assembly No. 115-7926

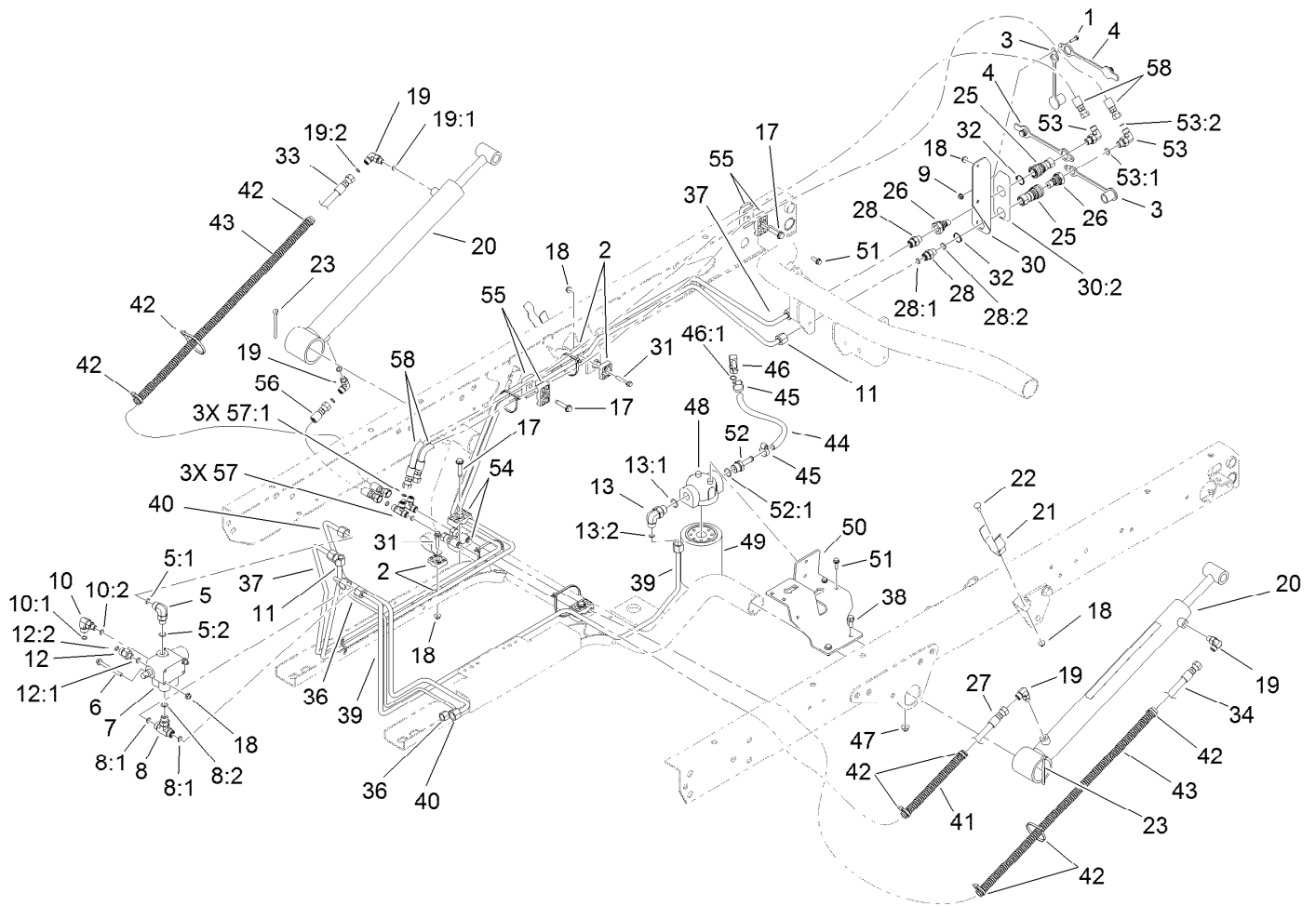
<i>Ref.</i>	<i>Part Number</i>	<i>Qty.</i>	<i>Description</i>
1	106-6716	1	Seal Kit
1:1		1	Ring-Seal, Dust ●
1:2		1	Seal-Shaft ●
1:3		1	O-Ring ●
1:4		2	O-Ring ●
1:5		5	O-Ring ●

● Not serviced separately



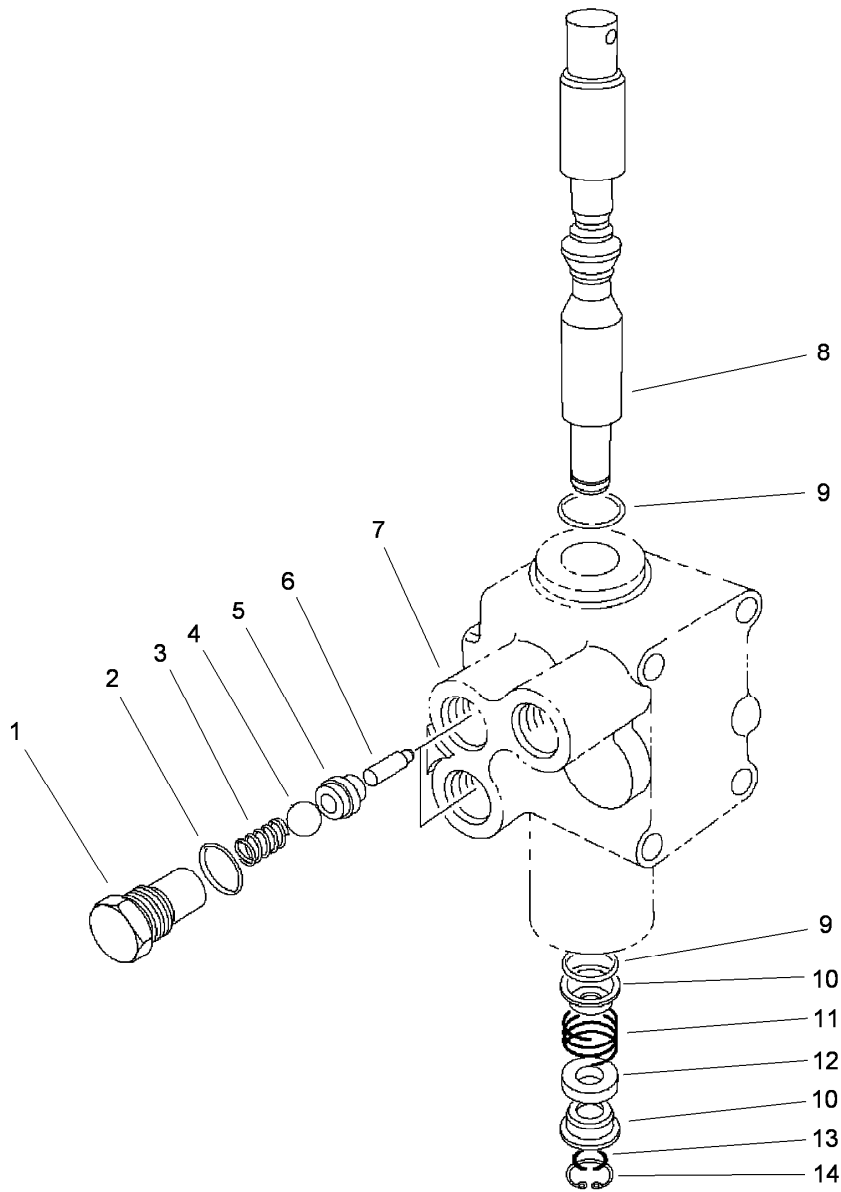
Lift Valve and Hydraulics Assembly

Ref.	Part Number	Qty.	Description	Ref.	Part Number	Qty.	Description
1	32105-13	1	Screw-HWH	13:1	237-79	1	O-Ring
2	56-7973	4	Clamp-Tube	13:2	237-22	1	O-Ring
3	106-7881	2	Cap-Dust, HYD	17	32144-57	4	Screw
4	106-7882	2	Plug-Dust, HYD	18	104-7201	8	Nut-HF
5	340-77	1	Fitting-Elbow-90	19	340-132	4	Fitting-90 DEG
5:1	237-22	1	O-Ring	19:1	237-78	1	O-Ring
5:2	237-42	1	O-Ring	19:2	237-21	1	O-Ring
6	114-8410	2	Screw-HHF	20	106-7939	2	HYD Cylinder ASM
7	43-1950	1	HYD Control Valve ASM	21	108-3109	2	Retainer-Cylinder
8	340-94	1	Adapter	22	3229-1	2	Bolt-CARR
8:1	237-22	2	O-Ring	23	3272-37	2	Pin-Cotter
8:2	237-42	1	O-Ring	25	106-7968	2	Coupler-Quick, Female
9	3290-148	1	Nut-HF	26	106-7969	2	Coupler-Quick, Male
10	340-97	1	Fitting-Elbow 90	27	115-7711	1	HYD Hose ASM
10:1	237-22	1	O-Ring	28	340-2	2	Fitting-Straight
10:2	237-78	1	O-Ring	28:1	237-22	1	O-Ring
11	115-2218	1	Tube-HYD	28:2	237-42	1	O-Ring
12	340-88	1	Fitting-Str	30	115-7715	1	Coupler Bracket ASM
12:1	237-22	1	O-Ring	30:2	115-7723	1	Decal-Disconnect, Quick
12:2	237-78	1	O-Ring	31	94-5781	2	Screw-HHF
13	340-18	1	Fitting-HYD, 90 DEG	32	32151-83	2	Ring-Snap



Lift Valve and Hydraulics Assembly (continued)

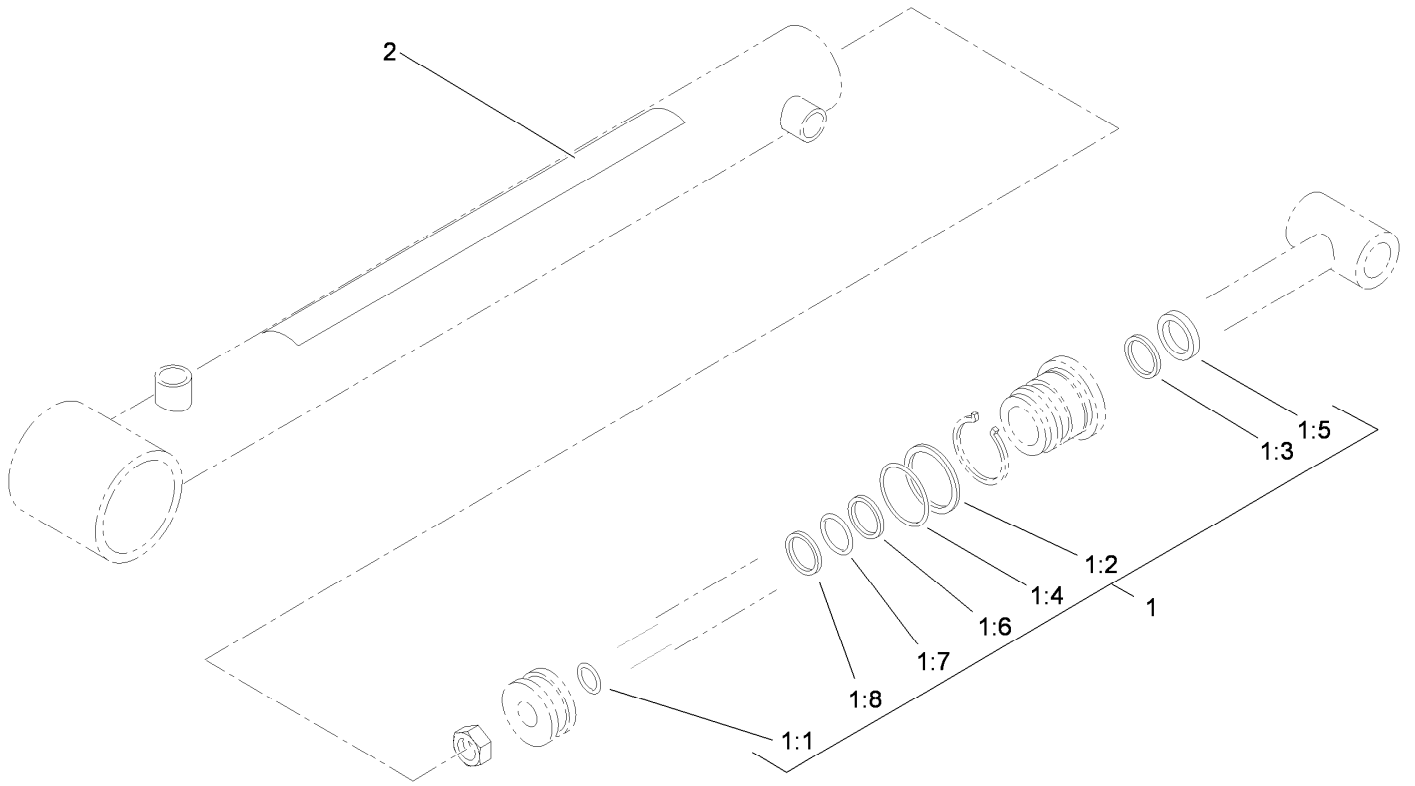
<i>Ref.</i>	<i>Part Number</i>	<i>Qty.</i>	<i>Description</i>	<i>Ref.</i>	<i>Part Number</i>	<i>Qty.</i>	<i>Description</i>
33	108-6508	1	Hose-HYD	48	87-8780	1	Head-Filter
34	104-3716	1	HYD Hose ASM	49	54-0110	1	Filter-Oil, Transmission
36	115-2216	1	Tube-HYD	50	115-2168-03	1	Bracket-Filter
37	115-2217	1	Tube-HYD	51	3234-4	4	Screw-HHF
38	3234-5	2	Screw-HHF	52	115-2231	1	Fitting-Straight
39	115-2224	1	Tube-HYD	52:1	237-79	1	O-Ring
40	115-2223	1	Tube-HYD	53	340-82	2	Fitting-Elbow 90
41	24-7922	1	Conduit-Convolved, Split	53:1	237-42	1	O-Ring
42	3290-379	8	Tie-Cable	53:2	237-21	1	O-Ring
43	24-7923	2	Conduit-Convolved, Split	54	56-7971	2	Clamp-Tube
44	115-2228	1	HYD Hose ASM	55	56-7976	6	Clamp-Tube
45	2412-36	2	Clamp-Hose	56	110-0931	1	Hose-HYD
46	100-4887	1	Fitting-Barbed	57	340-21	2	Fitting
46:1	237-42	1	O-Ring	57:1	237-21	3	O-Ring
47	104-8300	2	Nut-HF, NI	58	106-3680	2	Hose-HYD



Control Valve Assembly No. 43-1950

Ref.	Part Number	Qty.	Description
1	22-8330	2	Plug
2	237-42	2	O-Ring
3	22-8340	2	Spring
4	22-8350	2	Ball
5	22-8370	2	Seat-Valve
6	22-8360	2	Pin
7		1	Body ●
8	22-8420	1	Spool
9	22-8500	2	O-Ring
10	22-8380	2	Retainer
11	22-8410	1	Spring
12	23-3030	1	Spacer
13	22-8480	1	Ring-Snap
14	22-8490	1	Ring-Snap

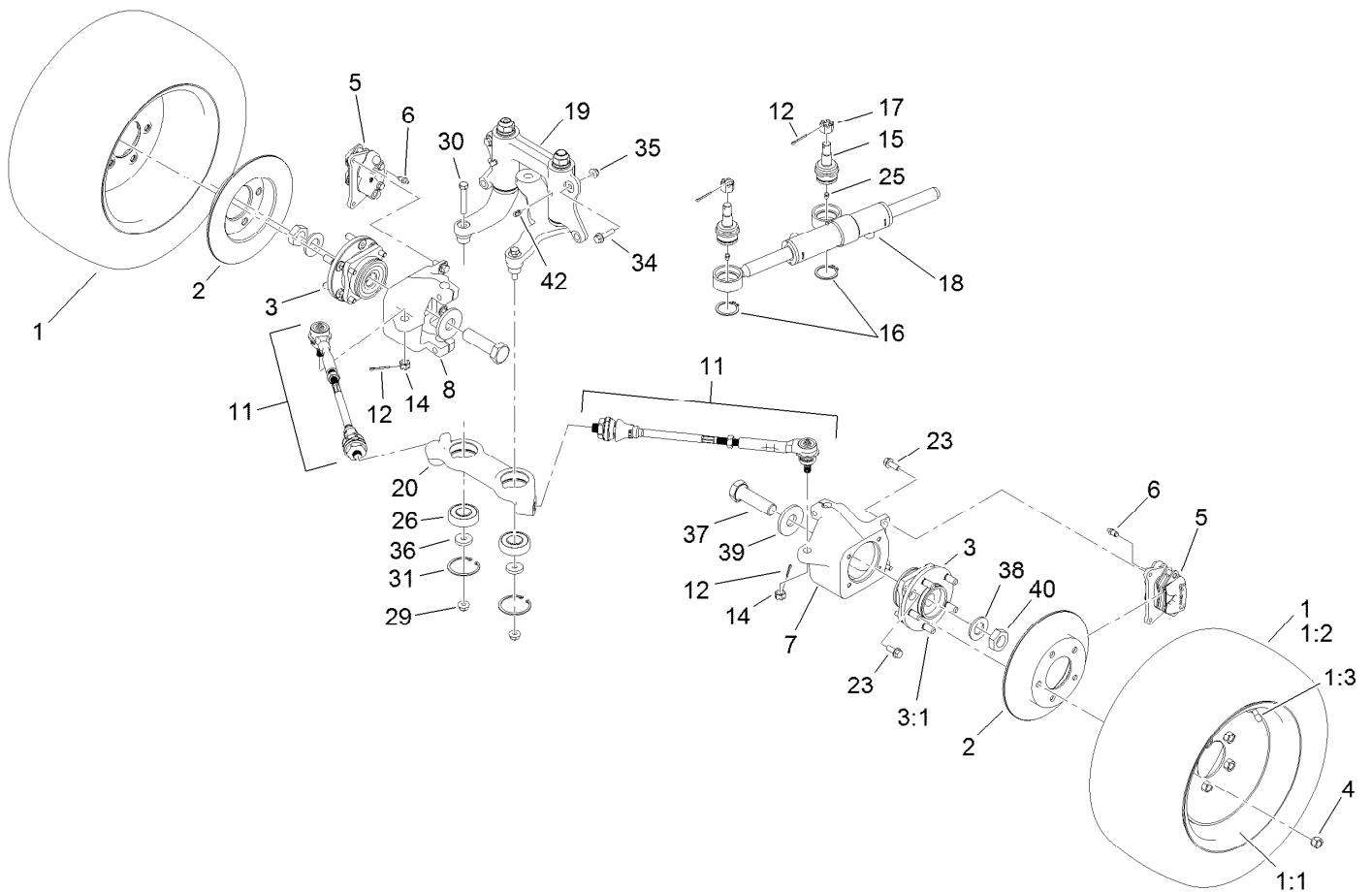
● Not serviced separately



Hydraulic Cylinder Assembly No. 106-7939

Ref.	Part Number	Qty.	Description
1	106-7941	1	Seal Kit
1:1		1	O-Ring ●
1:2		1	O-Ring ●
1:3		1	Seal ●
1:4		1	Back-Up ●
1:5		1	Wiper ●
1:6		1	Seal ●
1:7		1	O-Ring ●
1:8		1	Ring-Wear ●
2	93-9852	1	Decal-Warning

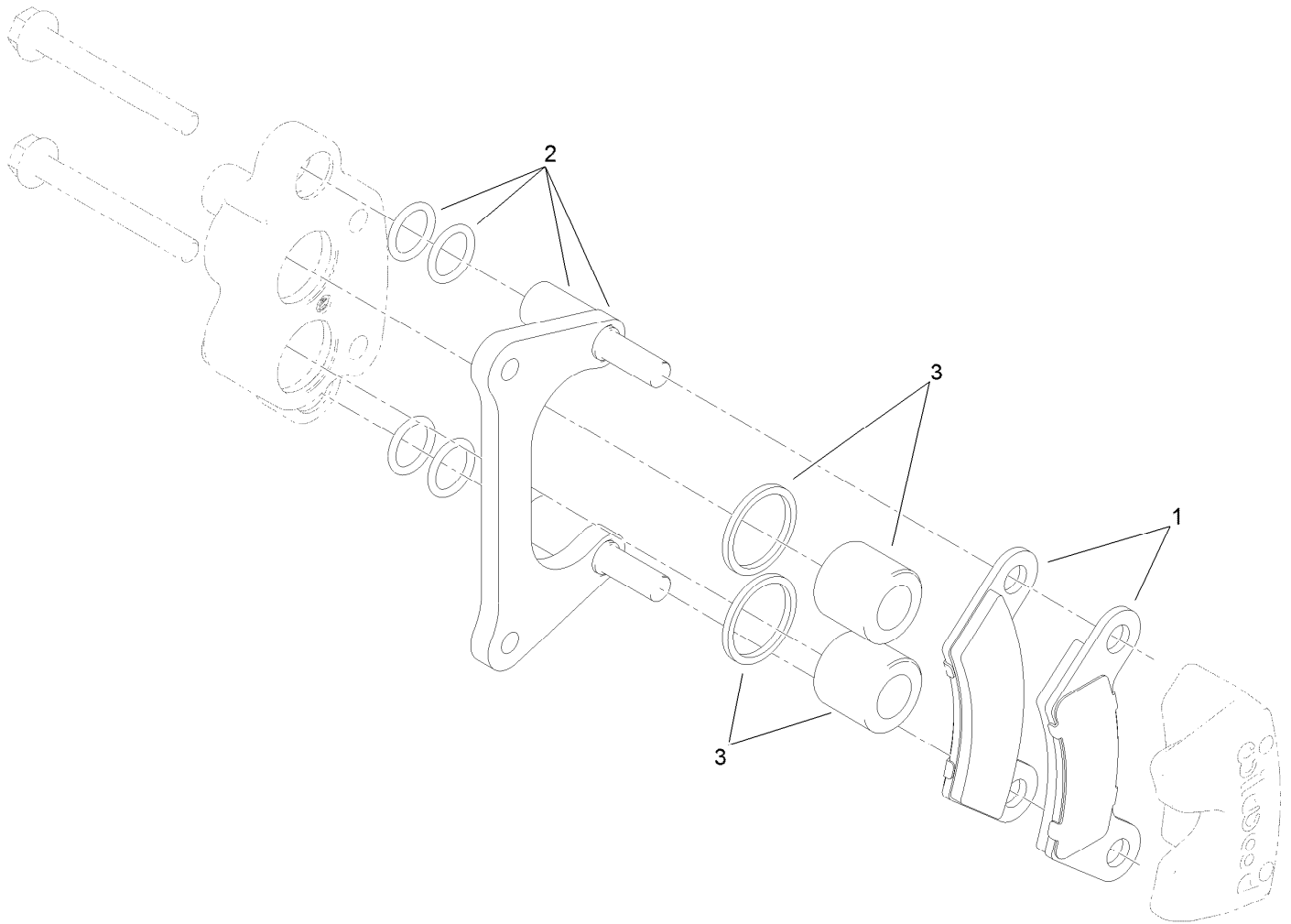
● Not serviced separately



Front Wheel Assembly

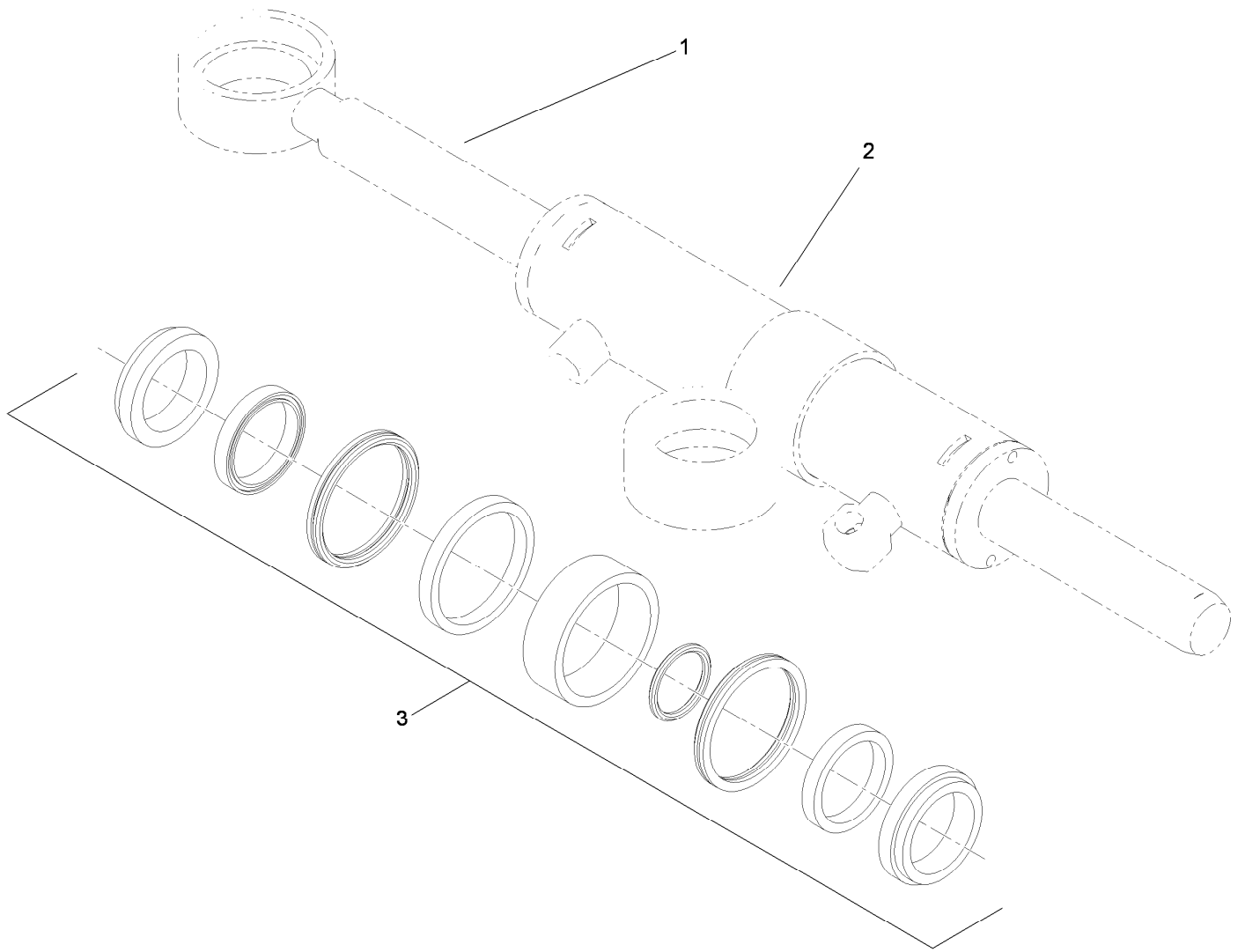
Ref.	Part Number	Qty.	Description	Ref.	Part Number	Qty.	Description
1		2	Tire And Wheel ASM ●	18	112-3217	1	HYD Cylinder ASM
1:1	120-4901	1	Wheel	19		1	Steering Linkage ASM ●
1:2	114-8273	1	Tire	20	114-8296	1	Link-Center
1:3	232-27	1	Stem-Valve	23	3234-11	12	Screw-HHF
2	114-8351	2	Rotor-Brake	25	302-5	2	Fitting-Grease
3	112-3214	2	Wheel Hub ASM	26	119-9548	2	Bearing-Ball
3:1	114-8299	5	Stud-Wheel	29	114-8417	2	Nut-HF, NI
4	242-50	10	Nut-Lug	30	324-10	2	Screw-HH
5	119-9535	2	Brake Caliper ASM	31	32120-22	2	Ring-Snap, Internal
6	119-9509	2	Screw-Bleed	34	114-4681	2	Screw-HHF
7	119-9513	1	Knuckle-LH	35	104-8301	2	Nut-HF, NI
8	119-9514	1	Knuckle-RH	36	112843	2	Washer
11	114-8356	2	Tie Rod ASM	37	115-2173	2	Screw-HH
12	3272-12	4	Pin-Cotter	38	3256-62	2	Washer-Flat
14	32136-3	2	Nut-SHH	39	104-0719	2	Washer-Hardened
15	106-6774	2	Joint-Ball	40	3296-49	2	Nut-Lock, NI
16	32151-104	2	Ring-Retaining, External	42	302-60	2	Fitting-Grease
17	32136-14	2	Nut-Hst				

● Not serviced separately



Brake Caliper Assembly No. 119-9535

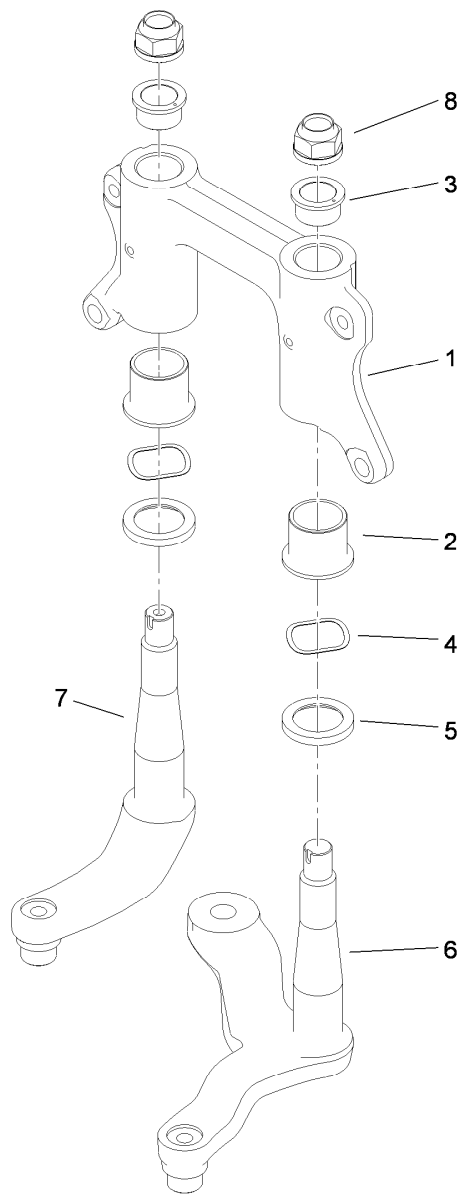
<i>Ref.</i>	<i>Part Number</i>	<i>Qty.</i>	<i>Description</i>
1	119-9510	1	Pads-Brake
2	119-9511	1	Bracket Kit
3	119-9512	1	Piston Kit



Hydraulic Cylinder Assembly No. 112-3217

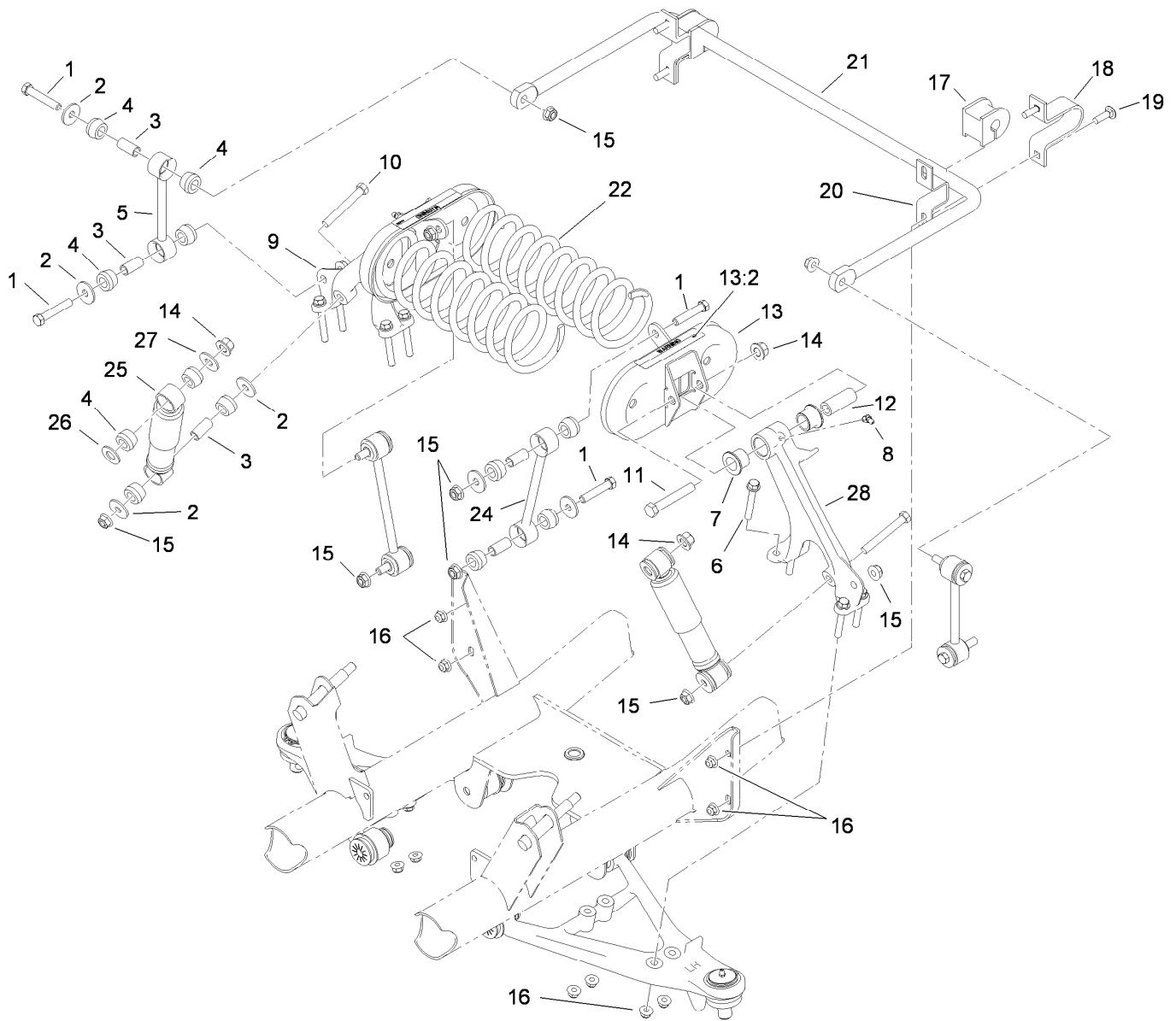
<i>Ref.</i>	<i>Part Number</i>	<i>Qty.</i>	<i>Description</i>
1		1	Rod-Cylinder ●
2		1	Body-Cylinder ●
3	115-2160	1	Cylinder Repair Kit

● Not serviced separately



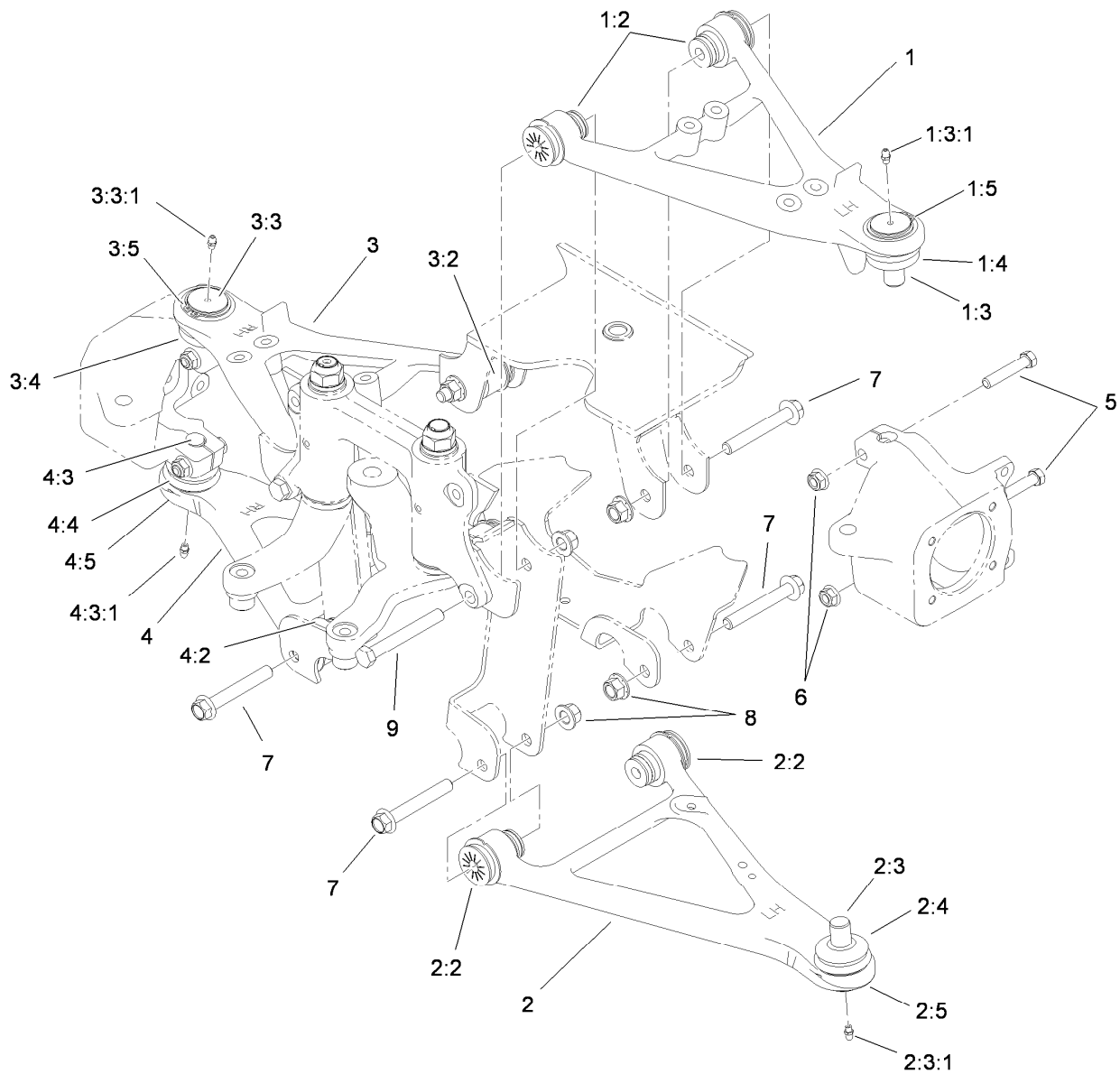
Steering Linkage Assembly

<i>Ref.</i>	<i>Part Number</i>	<i>Qty.</i>	<i>Description</i>
1	114-8389	1	Mount-Pivot
2	69-6470	2	Bushing-Cast
3	112-1626	2	Bushing-Flange
4	93-4632	2	Washer-Wavey
5	86-6560	2	Washer-Thrust
6	114-8256	1	Arm-Pitman
7	114-8298	1	Arm-Idler
8	115-2164	2	Nut-Spindle



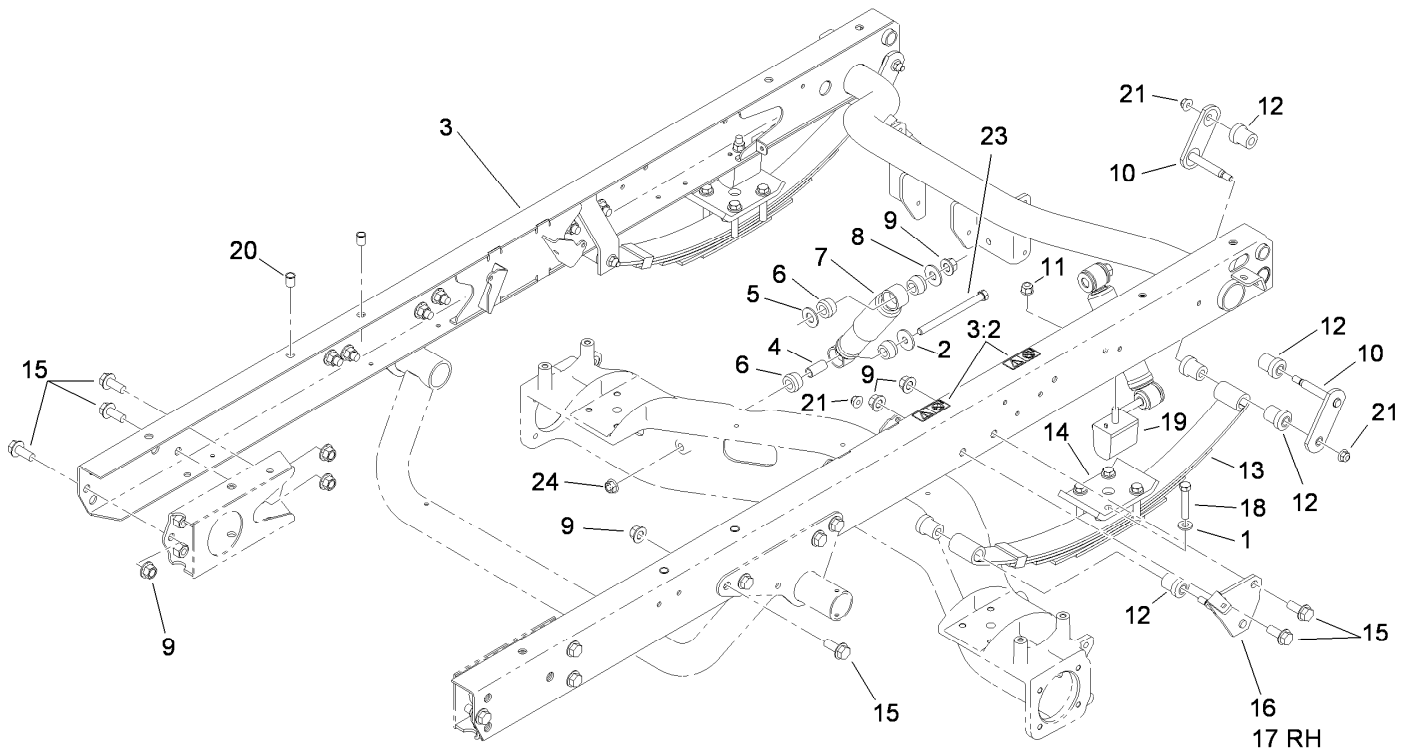
Front Suspension Assembly

Ref.	Part Number	Qty.	Description	Ref.	Part Number	Qty.	Description
1	324-10	8	Screw-HH	14	99-5107	4	Nut-Lock
2	87-5330	12	Washer	15	114-8417	10	Nut-HF, NI
3	87-3600	10	Spacer-Absorber, Shock	16	104-8301	12	Nut-HF, NI
4	87-3920	24	Bushing	17	87-3910	2	Bushing-Rubber
5	87-3860-03	2	Link-Sway Bar, Anti	18	87-4010-03	2	Clamp-Bar, Sway
6	3234-39	8	Screw-HHF	19	3231-25	4	Bolt-CARR
7	33-3090	4	Bushing	20	87-3890-03	2	Bracket-Bar, Sway
8	302-11	2	Fitting-Lube, 45 DEG	21	87-3850-03	1	Bar-Sway, Anti
9	87-0150	1	Tower-Control Arm, RH	22	105-4183-01	2	Spring-Compression
10	324-13	2	Screw-HH	24	106-2302-03	2	Link-Stabilizer
11	325-13	2	Screw-HH	25	87-3110	2	Absorber-Shock
12	87-2500	2	Sleeve-Spring, Pivot	26	3256-27	2	Washer-Flat
13	105-7958	2	Spring Cradle ASM	27	3256-6	2	Washer-Flat
13:2	93-9879	1	Decal-Warning	28	87-0160	1	Tower-Control Arm, LH



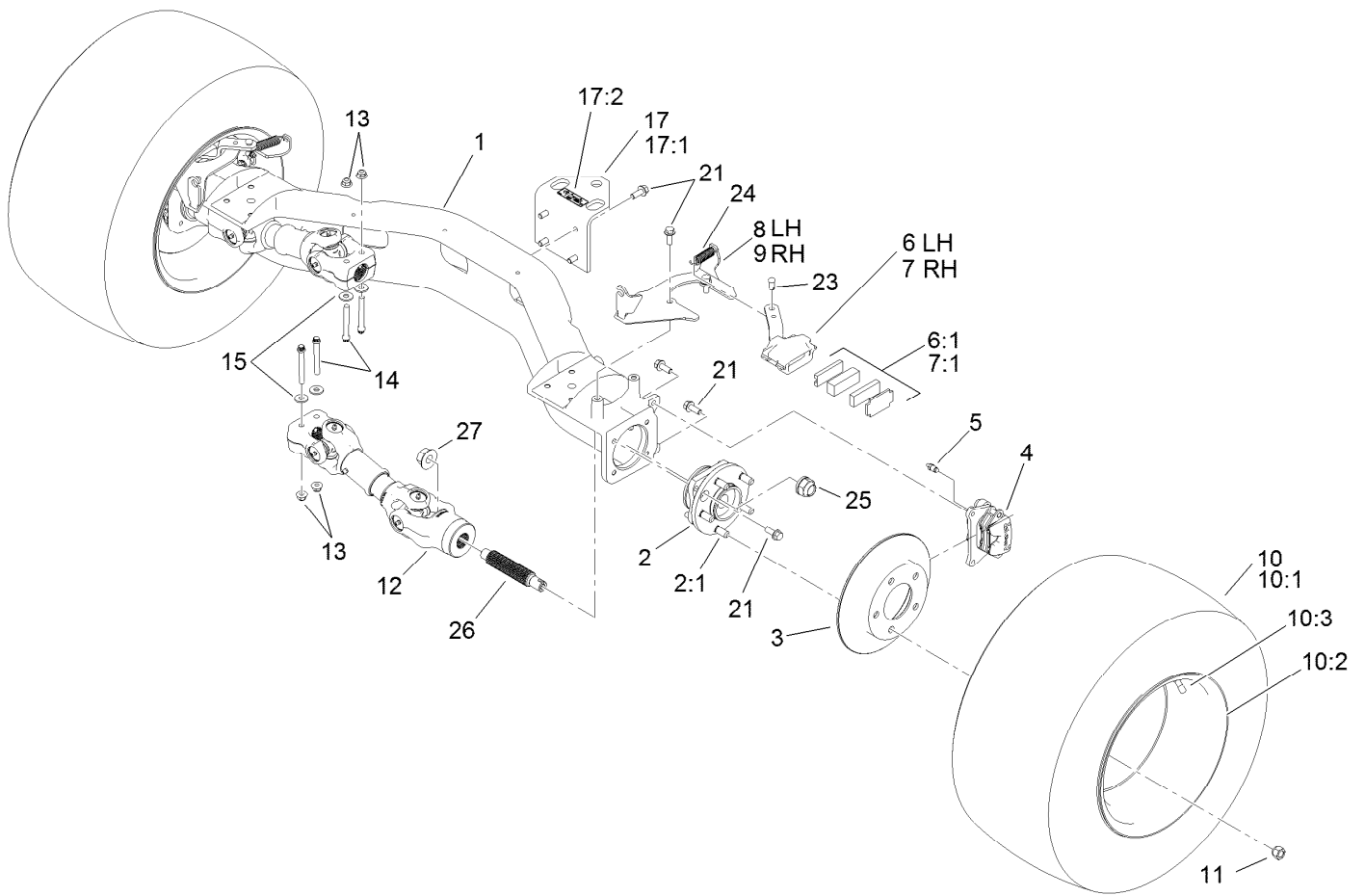
Front Control Arm Assembly

Ref.	Part Number	Qty.	Description	Ref.	Part Number	Qty.	Description
1	115-2404	1	Upper LH Control Arm ASM	3:3:1	302-5	1	Fitting-Grease
1:2	87-1450	2	Bushing-Flange	3:4	87-2420	1	Seal-Joint, Ball
1:3	115-2165	1	Ball Joint	3:5	32151-104	1	Ring-Retaining, External
1:3:1	302-5	1	Fitting-Grease	4	115-2407	1	Lower RH Control Arm ASM
1:4	87-2420	1	Seal-Joint, Ball	4:2	87-1450	2	Bushing-Flange
1:5	32151-104	1	Ring-Retaining, External	4:3	115-2165	1	Ball Joint
2	115-2405	1	Lower LH Control Arm ASM	4:3:1	302-5	1	Fitting-Grease
2:2	87-1450	2	Bushing-Flange	4:4	87-2420	1	Seal-Joint, Ball
2:3	115-2165	1	Ball Joint	4:5	32151-104	1	Ring-Retaining, External
2:3:1	302-5	1	Fitting-Grease	5	324-10	4	Screw-HH
2:4	87-2420	1	Seal-Joint, Ball	6	114-8417	4	Nut-HF, NI
2:5	32151-104	1	Ring-Retaining, External	7	114-8419	6	Screw-HHF
3	115-2406	1	Upper RH Control Arm ASM	8	99-5107	8	Nut-Lock
3:2	87-1450	2	Bushing-Flange	9	325-17	2	Screw-HH
3:3	115-2165	1	Ball Joint				



Rear Frame Assembly

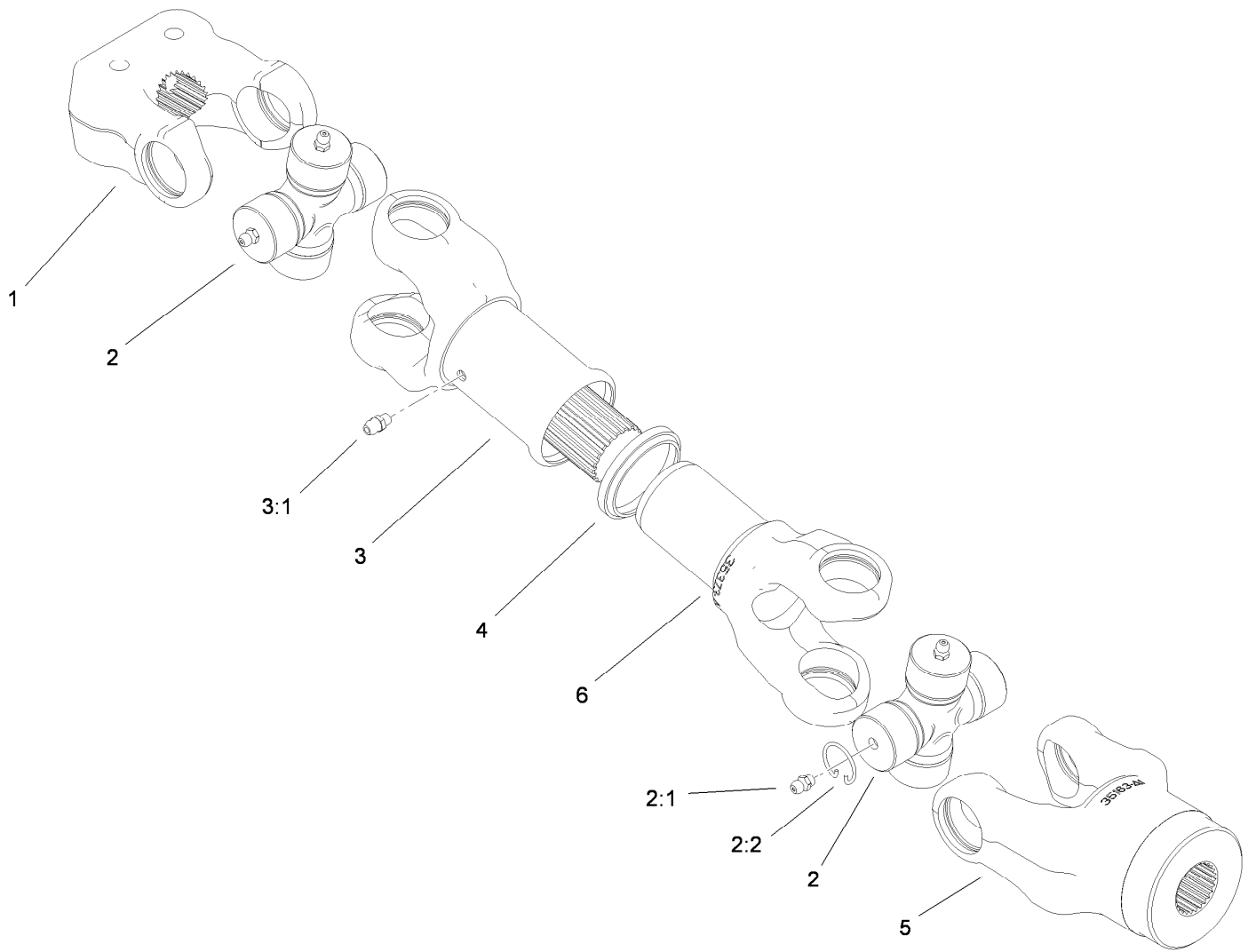
<i>Ref.</i>	<i>Part Number</i>	<i>Qty.</i>	<i>Description</i>	<i>Ref.</i>	<i>Part Number</i>	<i>Qty.</i>	<i>Description</i>
1	87-7480	8	Washer	12	87-4760	12	Bushing-Rubber
2	87-5330	2	Washer	13	87-1490	2	Spring-Leaf, Rear
3	115-7911	1	Rear Frame ASM	14	87-7470-03	2	Plate-Spring, Clamp
3:2	115-2047	2	Decal-Surface, Hot	15	3234-38	18	Screw-HHF
4	87-3600	2	Spacer-Absorber, Shock	16	87-3960	1	Mount-Spring, LH
5	3256-27	2	Washer-Flat	17	87-3940	1	Mount-Spring, RH
6	87-3920	8	Bushing	18	115-2398	8	Bolt-HH
7	87-3110	2	Absorber-Shock	19	87-3470	2	Bumper
8	3256-6	2	Washer-Flat	20	32148-9	4	Insert-Nut
9	99-5107	20	Nut-Lock	21	104-8301	6	Nut-HF, NI
10	87-3980	4	Shackle ASM	23	114-8424	2	Screw-HH
11	103-9511	2	Nut-Lock, NI	24	114-8417	2	Nut-HF, NI



Rear Axle Assembly

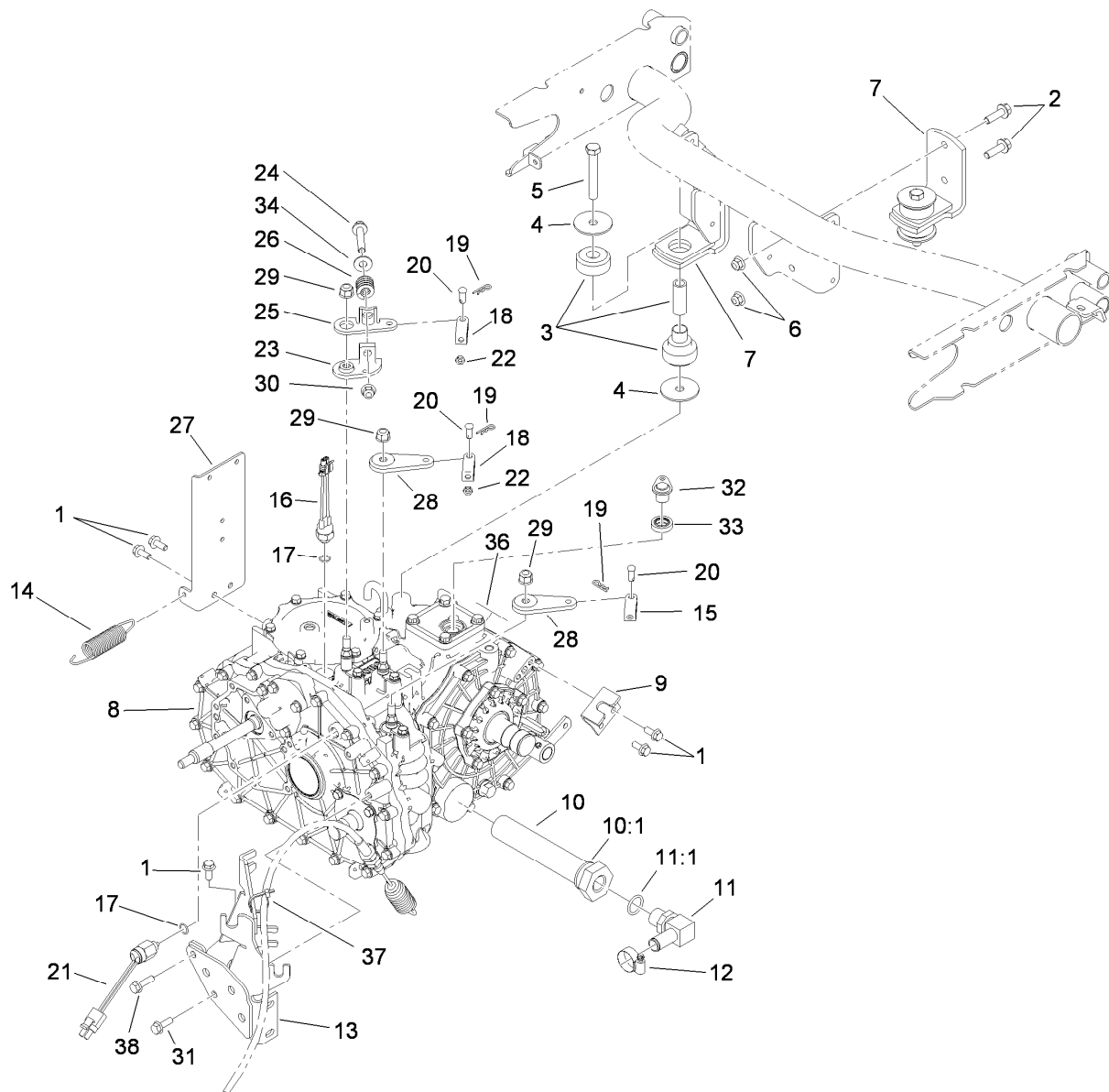
Ref.	Part Number	Qty.	Description	Ref.	Part Number	Qty.	Description
1	119-9515	1	Axle-Rear	10:3	232-27	1	Stem-Valve
2	112-3214	2	Wheel Hub ASM	11	242-50	10	Nut-Lug
2:1	114-8299	5	Stud-Wheel	12	114-8367	2	Driveshaft ASM
3	114-8351	2	Rotor-Brake	13	104-8301	4	Nut-HF, NI
4	119-9535	2	Brake Caliper ASM	14	98-2939	4	Screw-Cap
5	119-9509	2	Screw-Bleed	15	80-6990	4	Washer-Hardened
6	114-8365	1	Caliper-Mechanical, LH	17	115-7742	1	Hitch ASM
6:1	115-7847	1	Parking Brake Pad Kit	17:1	92-5951-03	1	Angle-Hitch
7	114-8366	1	Caliper-Mechanical, RH	17:2	115-7740	1	Decal-Load, Towing
7:1	115-7847	1	Parking Brake Pad Kit	21	3234-11	20	Screw-HHF
8	115-2362-03	1	Bracket-Caliper, LH	23	283-85	2	Pin-Clevis
9	115-2359-03	1	Bracket-Caliper, RH	24	104-6415	2	Spring-Return, Pedal
10		2	Tire And Wheel ASM ●	25	115-2164	2	Nut-Spindle
10:1	106-7868	1	Tire	26	115-7771	2	Shaft, Splined
10:2	114-8259	1	Wheel	27	104-0753	2	Nut-Flange

● Not serviced separately



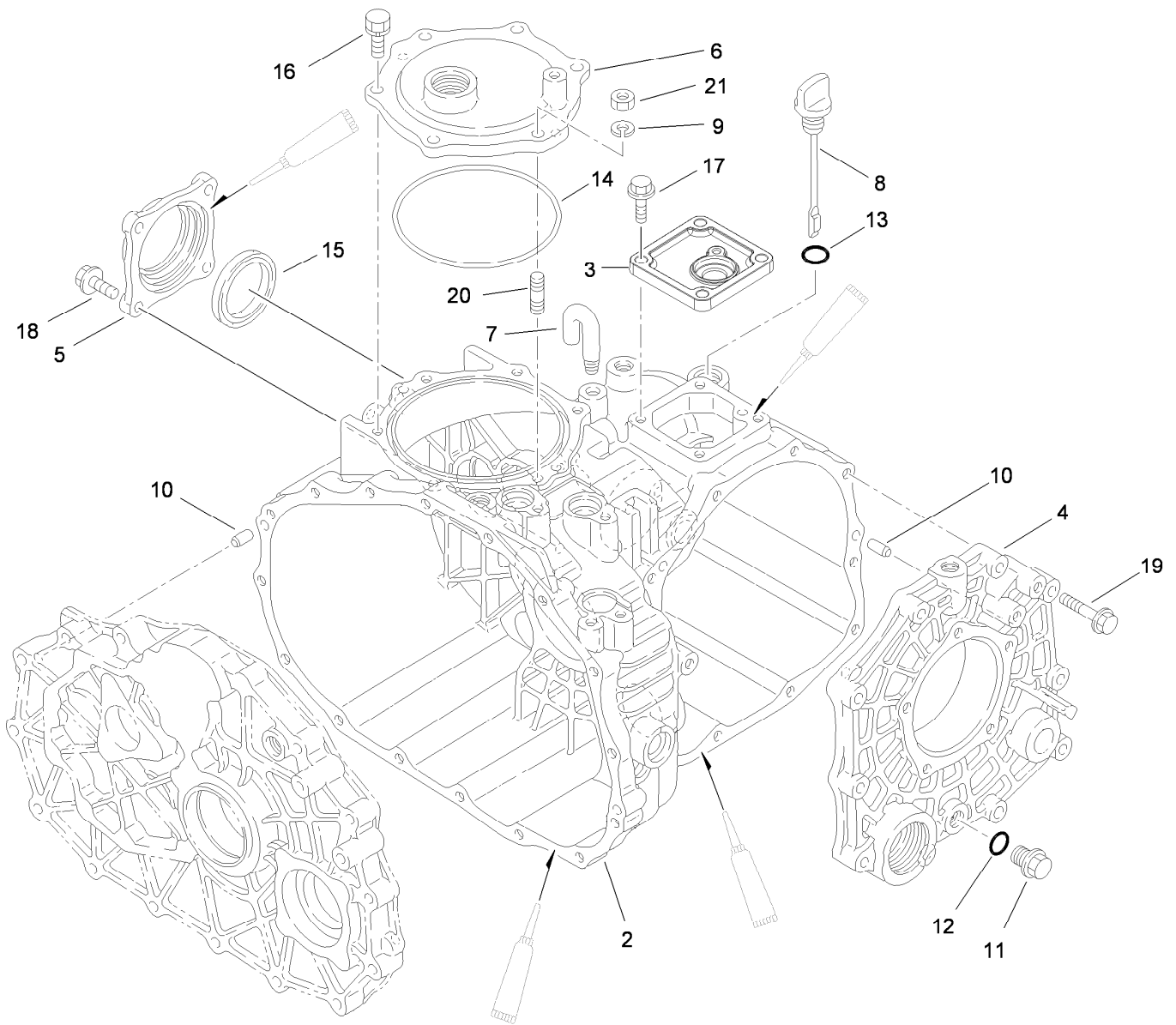
Driveshaft Assembly No. 114-8367

<i>Ref.</i>	<i>Part Number</i>	<i>Qty.</i>	<i>Description</i>
1	98-2940	1	Yoke
2	92-4187	2	Cross And Bearing Kit
2:1	302-58	4	Fitting-Straight
2:2	92-4188	4	Ring-Snap
3	92-4179	1	Yoke-Tube, Shaft And Seal
3:1	302-5	1	Fitting-Grease
4	92-4180	1	Seal
5	115-2351	1	Yoke
6	92-4182	1	Yoke-Telescoping



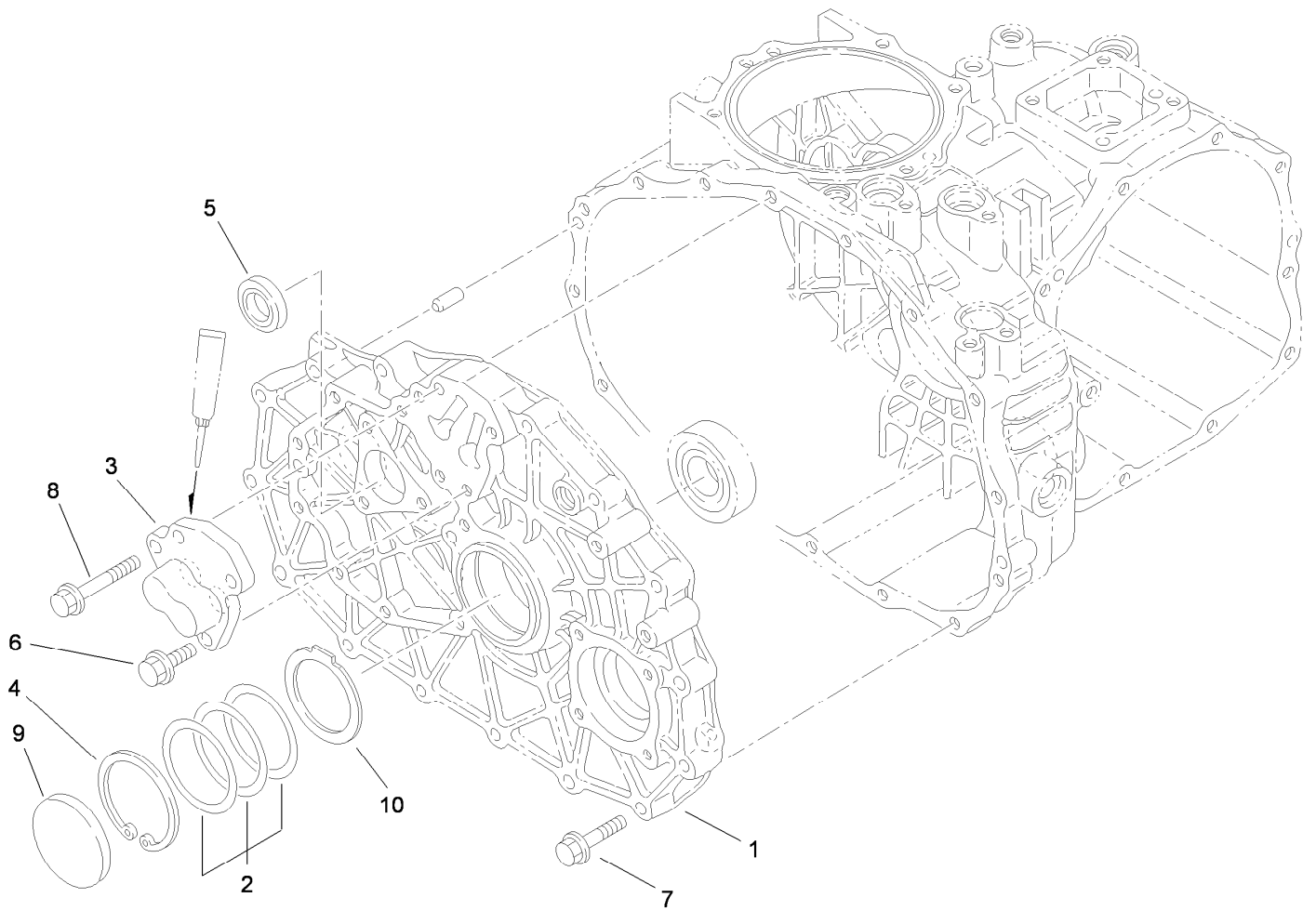
Transaxle Assembly

Ref.	Part Number	Qty.	Description	Ref.	Part Number	Qty.	Description
1	98-7977	5	Screw-HHF	18	87-2310	2	Clevis-Cable
2	3234-24	4	Screw-HHF	19	3290-307	3	Pin-Cotter
3	106-7865	2	Mount-Engine	20	283-62	3	Pin-Clevis
4	87-5100	4	Washer-Snubbing	21	87-6710	1	Switch-Transmission
5	33116-080	2	Screw-HH	22	3220-1	2	Nut-Jam
6	104-8301	4	Nut-HF, NI	23	87-7970	1	Arm-Shift
7	87-5800-03	2	Mount-Transaxle	24	66-9302	1	Screw-HHF, Whiz
8	115-7783	1	2 Wheel Drive Transaxle ASM	25	87-8250	1	Plate-Arm, Shift
9	87-4470	1	Bracket-Lock, Differential	26	87-6910	1	Spring-Compression
10	87-3990	1	Strainer-Transaxle	27	115-2240-03	1	Bracket-Fuel
10:1	237-123	1	O-Ring	28	87-7960	2	Lever-Shift
11	353-987	1	Fitting-HYD, 90 DEG (Barbed)	29	103-9511	3	Nut-Lock, NI
11:1	237-81	1	O-Ring	30	3290-357	1	Nut-HHF, Whiz
12	2412-129	1	Clamp-Hose	31	33104-025	1	Screw-HHF
13	105-4207-03	1	Mount-Cable	32	115-7774	1	Plug ASM
14	68-9950	1	Spring-Traction	33	92-3735	1	Seal-Oil, Sensor
15	87-7160	1	Clevis-Cable	34	3256-4	1	Washer-Flat
16	72-4310	1	Switch-Ball	36	115-7741	1	Decal-Oil, Transmission
17	237-30	2	O-Ring	37	3290-379	1	Tie-Cable
				38	33104-030	1	Screw-HHF



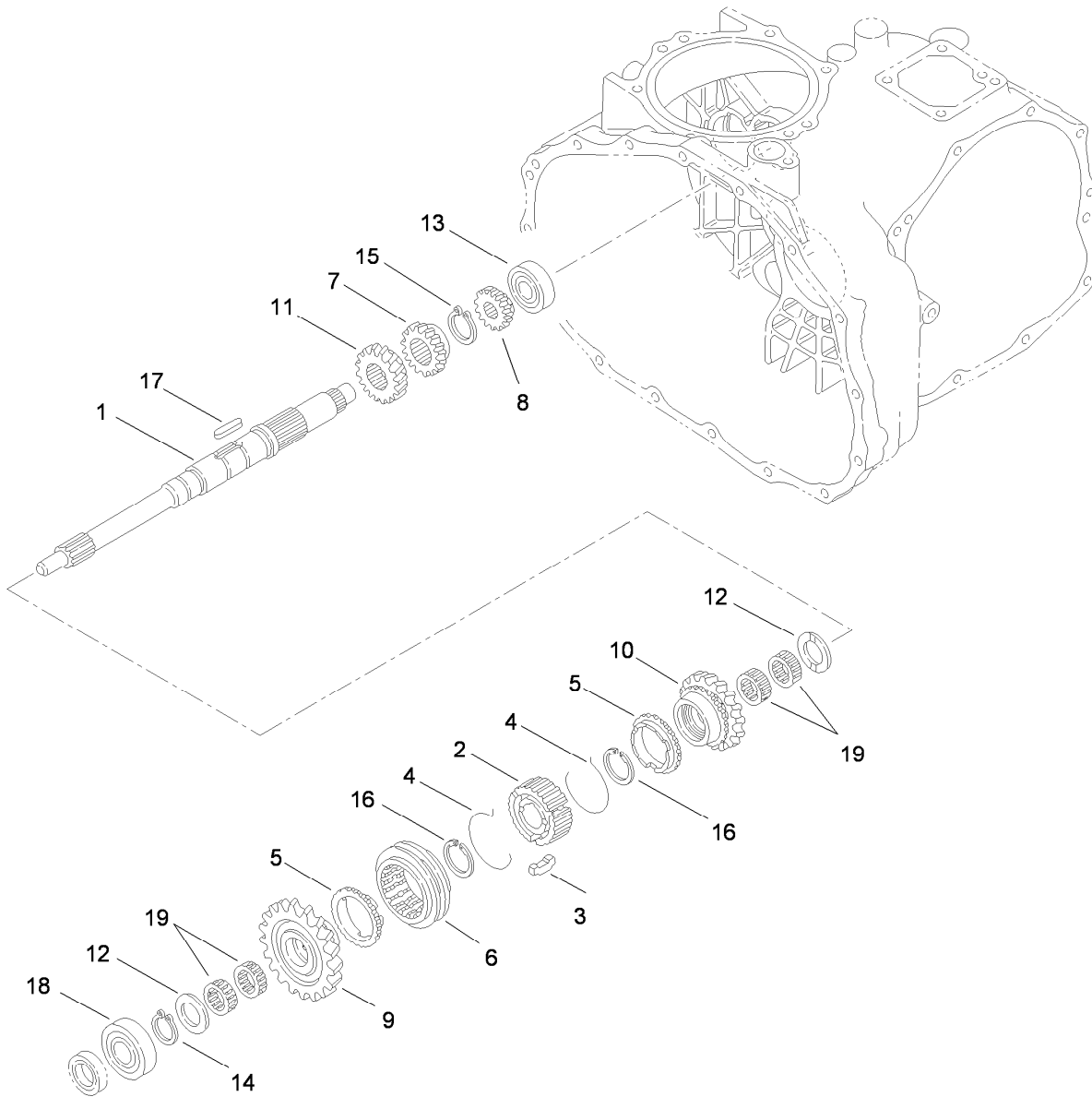
Case Assembly Transaxle Assembly No. 115-7783

<i>Ref.</i>	<i>Part Number</i>	<i>Qty.</i>	<i>Description</i>	<i>Ref.</i>	<i>Part Number</i>	<i>Qty.</i>	<i>Description</i>
2	92-0651	1	Case-Transmission	12	92-0787	1	O-Ring
3	92-0810	1	Cover-Upper, Sensor	13	92-0788	1	O-Ring
4	92-0653	1	Cover-Side	14	92-0790	1	O-Ring
5	92-0655	1	Cover-Seal, Axle	15	92-0793	1	Seal-Oil
6	92-0656	1	Cover-Upper, PTO	16	92-0796	5	Bolt
7	92-0743	1	Breather-Air	17	33104-025	4	Screw-HHF
8	92-0662	1	Cap-Oil	18	33104-025	4	Screw-HHF
9	92-0762	1	Washer-Spring	19	33104-040	10	Screw-HHF
10	92-0765	4	Pin-Parallel	20	92-0805	1	Bolt 8X20
11	92-0773	1	Plug-Drain	21	68-9400	1	Nut-Flange



Center Plate Assembly Transaxle Assembly No. 115-7783

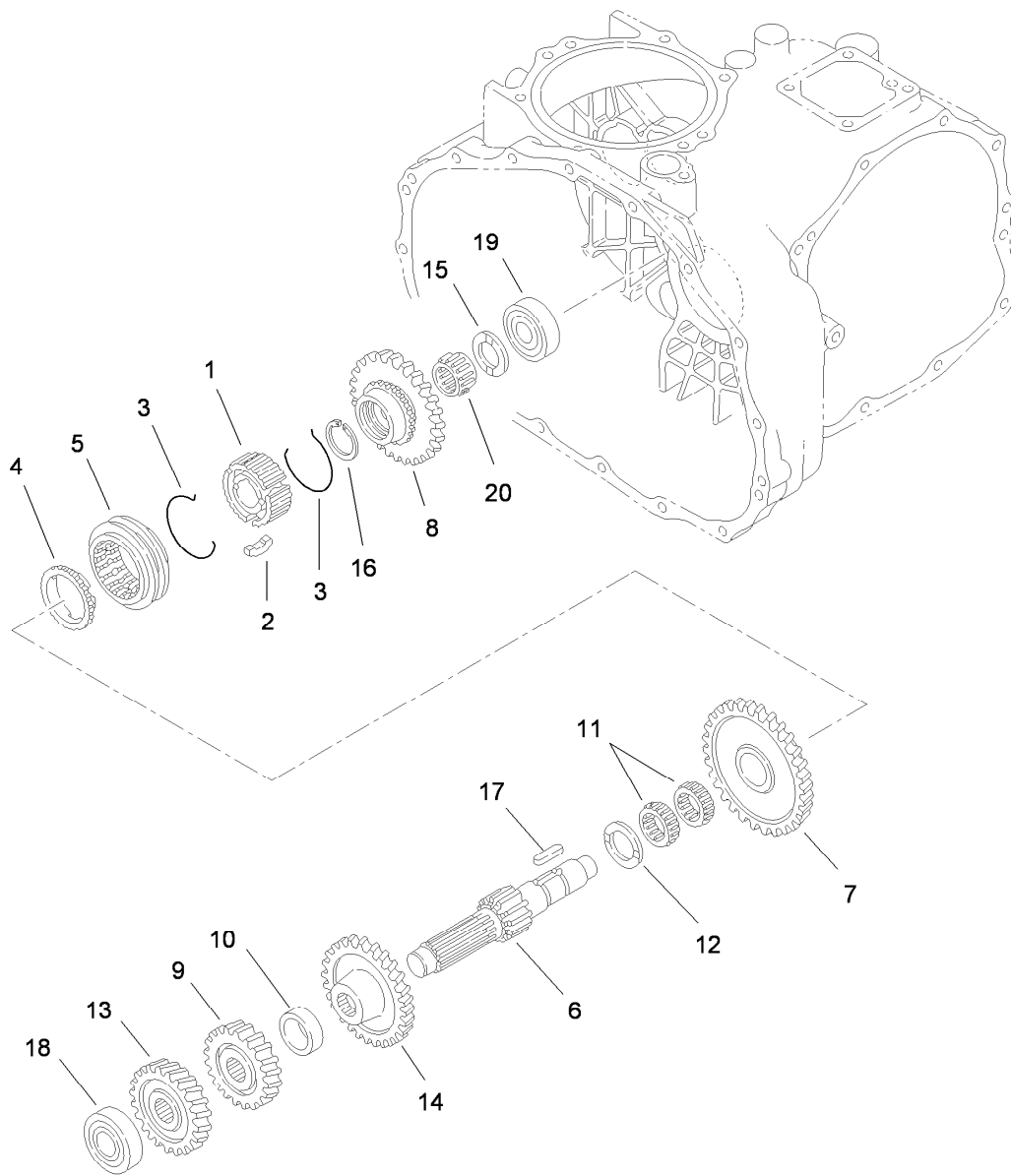
<i>Ref.</i>	<i>Part Number</i>	<i>Qty.</i>	<i>Description</i>
1	100-4461	1	Plate-Center
2	100-4460	1	Shim-Set
3	92-0706	1	Shaft-Fork
4	92-0759	1	Ring-Snap
5	92-0791	1	Seal-Oil
6	33104-025	3	Screw-HHF
7	33104-040	15	Screw-HHF
8	33104-050	1	Screw-HHF
9	92-0807	1	Cap-Sealing
10	100-4465	1	Shim (W/Tab)



Main Shaft Assembly Transaxle Assembly No. 115-7783

<i>Ref.</i>	<i>Part Number</i>	<i>Qty.</i>	<i>Description</i>
1	92-0663	1	Shaft-Main
2	92-0664	1	Hub-Synchro
3	92-0665	3	Key-Synchro
4	92-0666	2	Spring-Synchro
5	92-0667	2	Ring-Synchro
6	92-0668	1	Shifter-Synchro
7	92-0672	1	Gear-Main, 18 Tooth
8	92-0673	1	Gear-Main, 14 Tooth
9	110-2521	1	Gear-Main, 27 Tooth
10	110-2522	1	Gear- Main, 24 Tooth

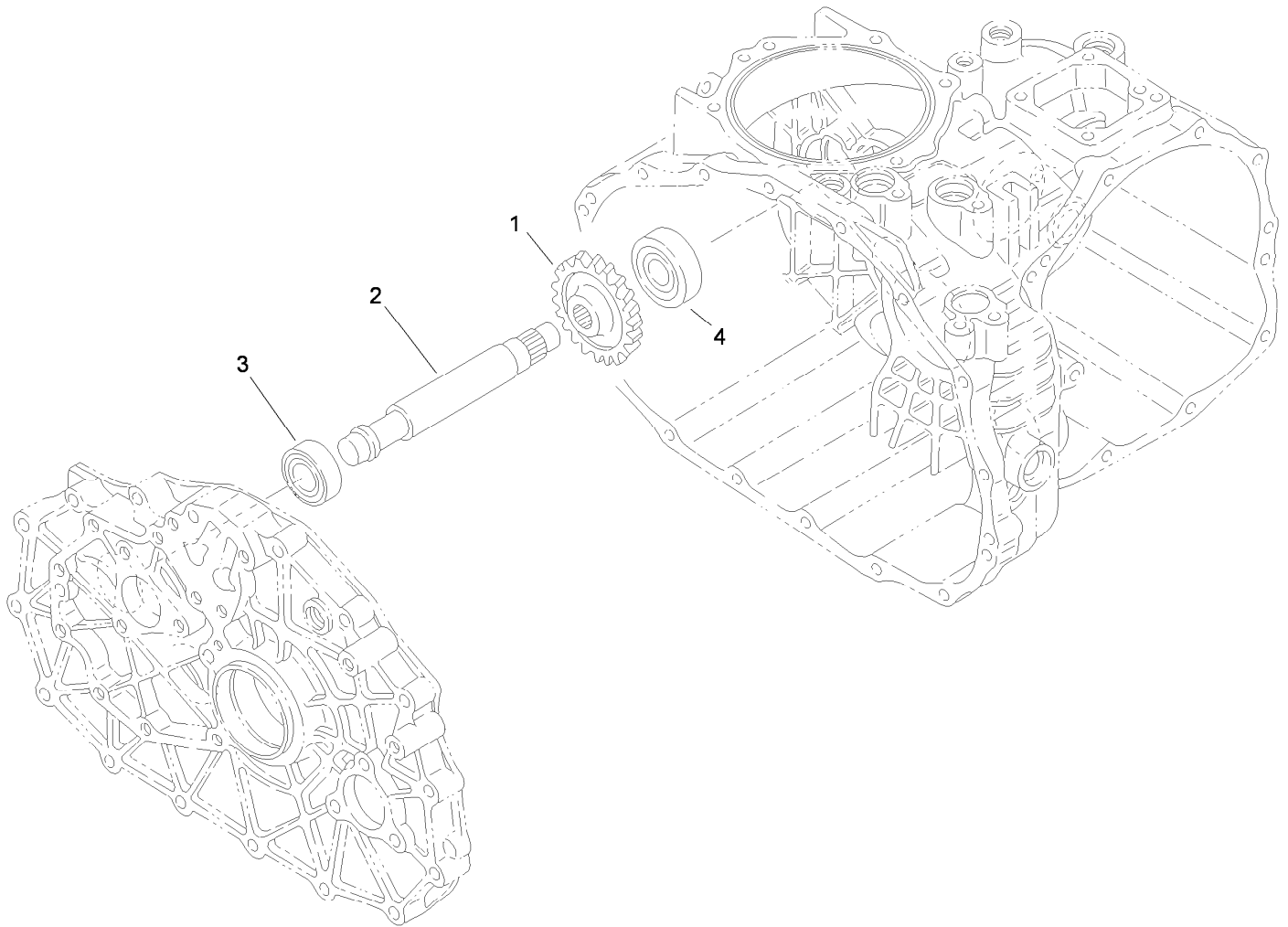
<i>Ref.</i>	<i>Part Number</i>	<i>Qty.</i>	<i>Description</i>
11	92-0687	1	Gear-Main, 16 Tooth
12	92-0740	2	Washer-Thrust
13	92-0650	1	Bearing
14	92-0753	1	Ring-Snap
15	92-0754	1	Ring-Snap
16	92-0763	2	Ring-Snap
17	92-0772	1	Key
18	251-8	1	Bearing-Ball
19	92-0781	4	Bearing-Needle



Reduction Shaft Assembly Transaxle Assembly No. 115-7783

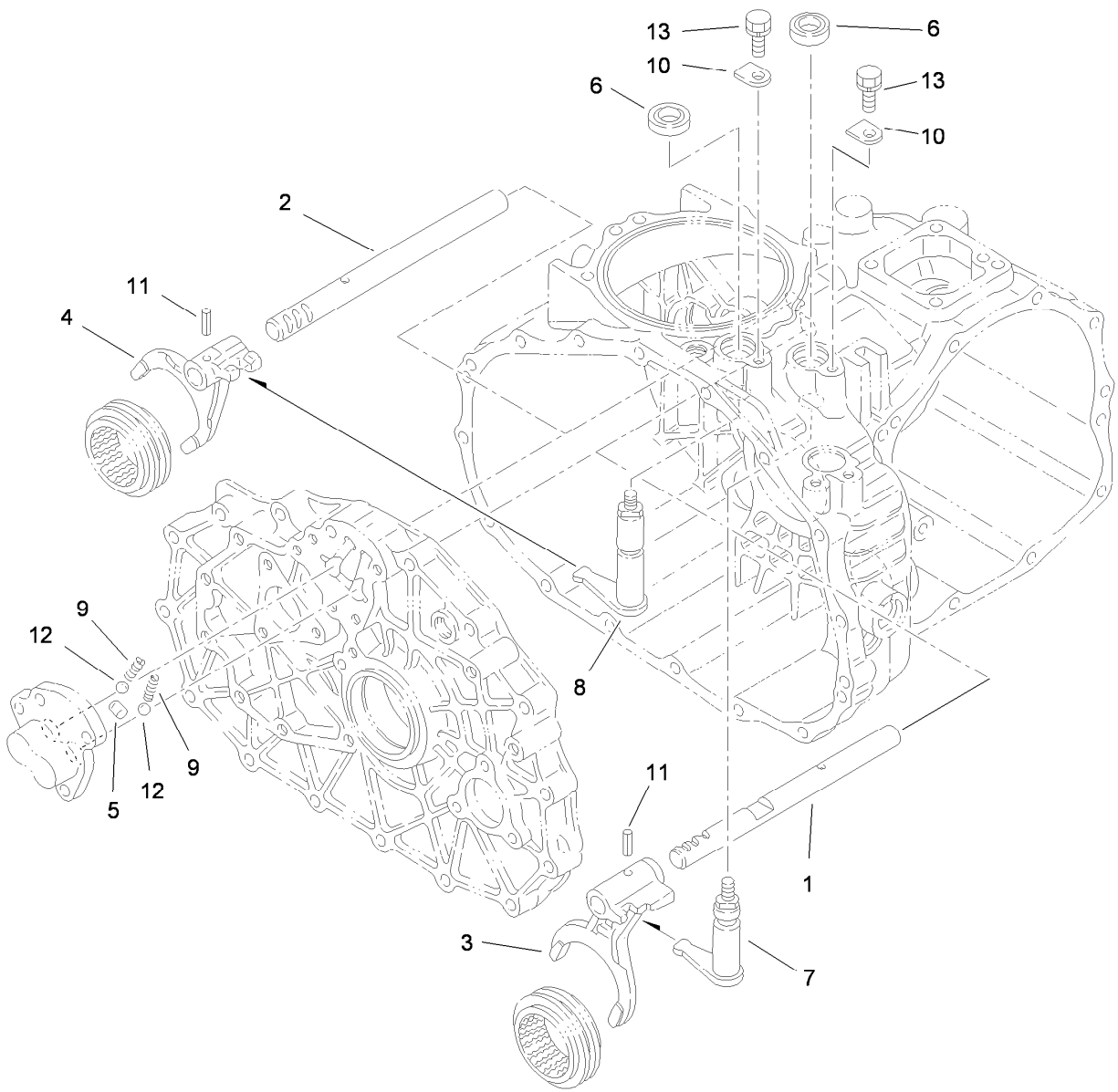
<i>Ref.</i>	<i>Part Number</i>	<i>Qty.</i>	<i>Description</i>
1	92-0664	1	Hub-Synchro
2	92-0665	3	Key-Synchro
3	92-0666	2	Spring-Synchro
4	92-0667	1	Ring-Synchro
5	92-0668	1	Shifter-Synchro
6	92-0674	1	Shaft-Reduction
7	110-2524	1	Gear- Reduction, 49 Tooth
8	92-0819	1	Gear-Reduction, 40 Tooth
9	92-0769	1	Pin-Roll
10	92-0680	1	Collar

<i>Ref.</i>	<i>Part Number</i>	<i>Qty.</i>	<i>Description</i>
11	92-0681	2	Bearing-Needle
12	92-0682	1	Washer-Thrust
13	92-0822	1	Gear-Reduction, 28 Tooth
14	92-0823	1	Gear-Reduction, 43 Tooth
15	92-0740	1	Washer-Thrust
16	92-0673	1	Gear-Main, 14 Tooth
17	92-0772	1	Key
18	105-7985	1	Bearing
19	92-0778	1	Bearing
20	92-0782	1	Bearing-Needle



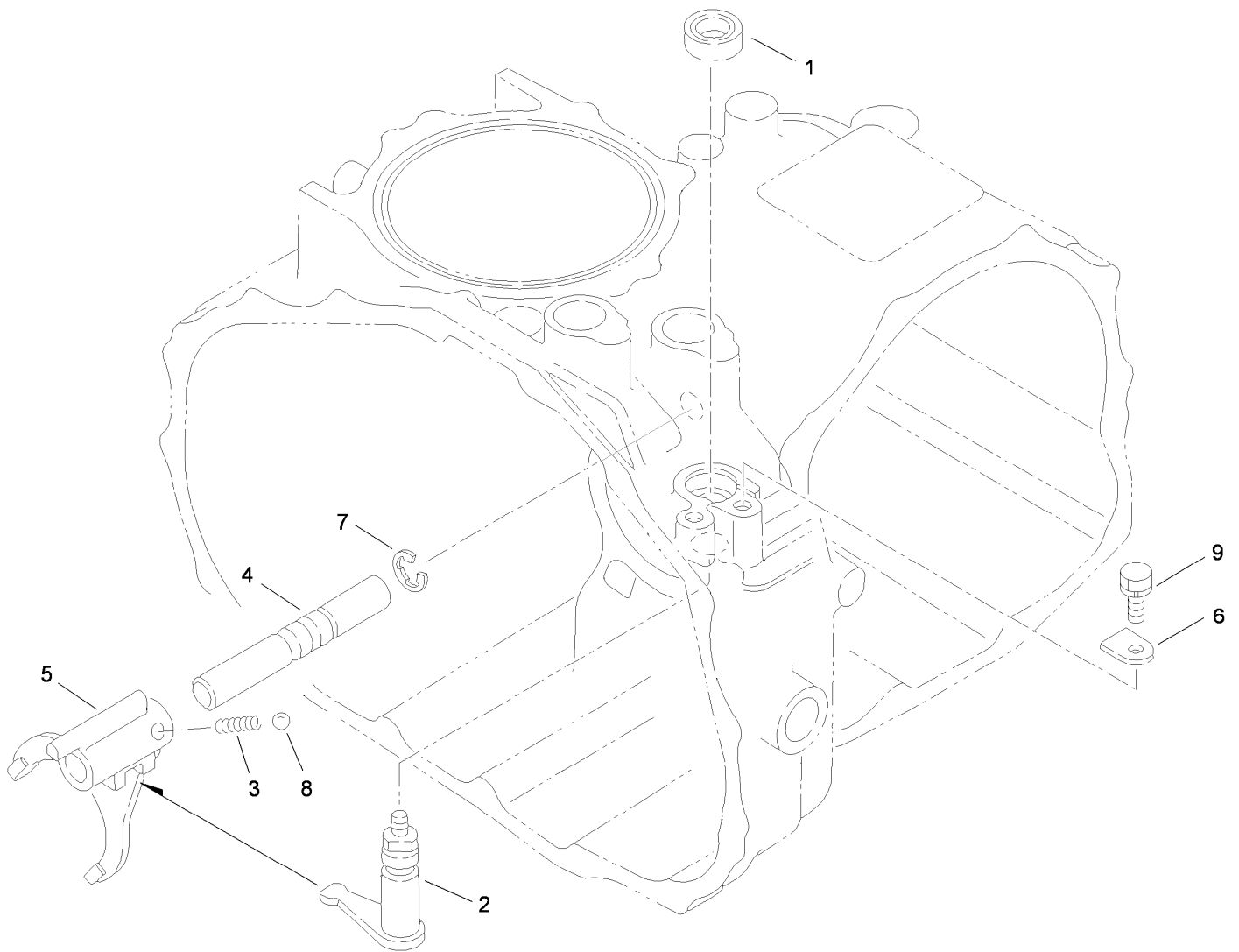
Reverse Shaft Assembly Transaxle Assembly No. 115-7783

<i>Ref.</i>	<i>Part Number</i>	<i>Qty.</i>	<i>Description</i>
1	92-0684	1	Gear-Reverse, 33 Tooth
2	92-0824	1	Shaft-Idler, Reverse
3	251-346	1	Bearing-Ball
4	92-0778	1	Bearing



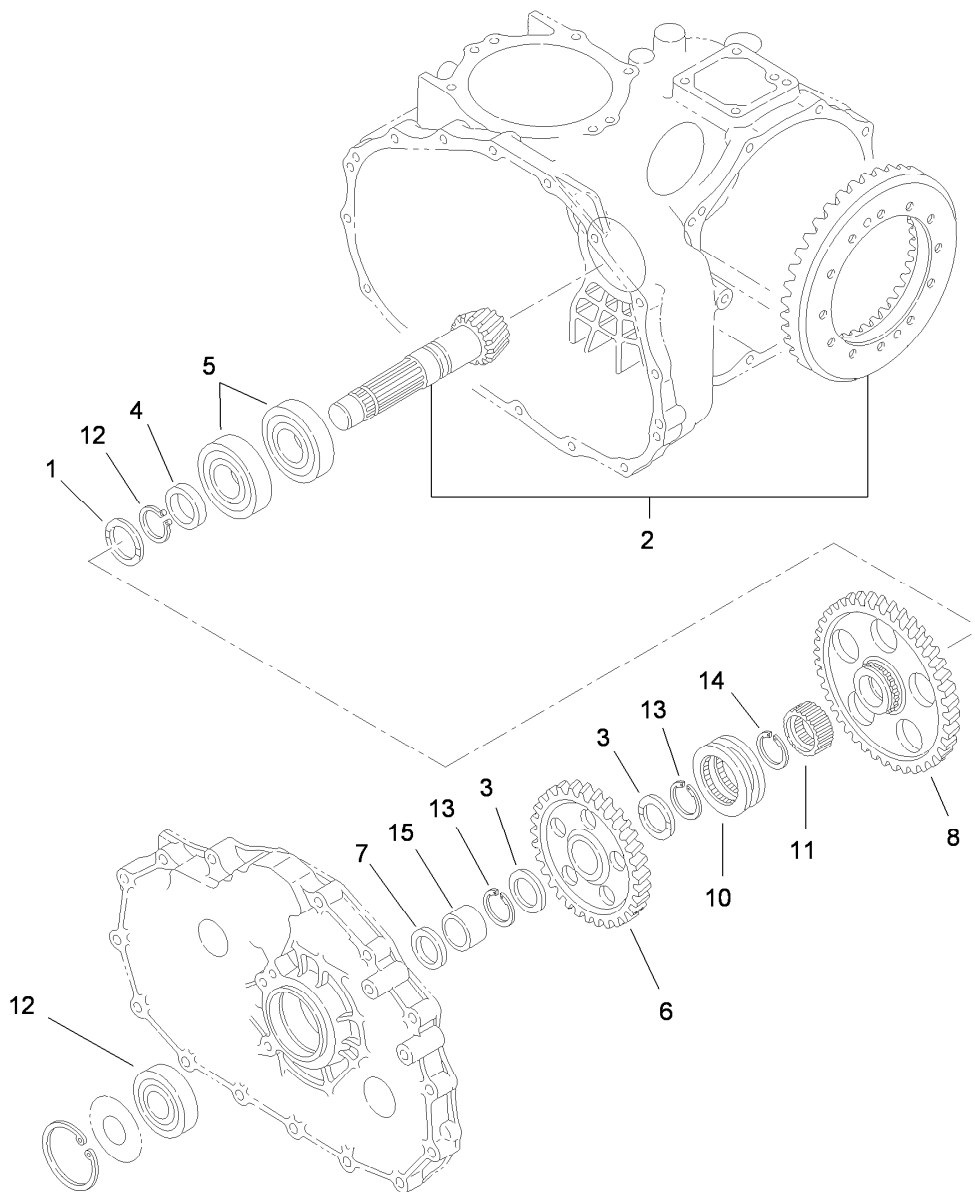
Main Shift Assembly Transaxle Assembly No. 115-7783

<i>Ref.</i>	<i>Part Number</i>	<i>Qty.</i>	<i>Description</i>
1	92-0698	1	Shaft-Fork
2	92-0699	1	Shaft-Fork
3	92-0700	1	Fork-Shift
4	92-0701	1	Fork-Shift
5	92-0705	1	Lock-Spindle
6	92-0729	2	Seal-Oil
7	92-0816	1	Arm-Shift
8	92-0817	1	Arm-Shift
9	92-0731	2	Spring
10	92-0732	2	Plate-Keeper
11	92-0769	2	Pin-Roll
12	92-0785	2	Ball-Steel
13	33104-016	2	Screw-HHF



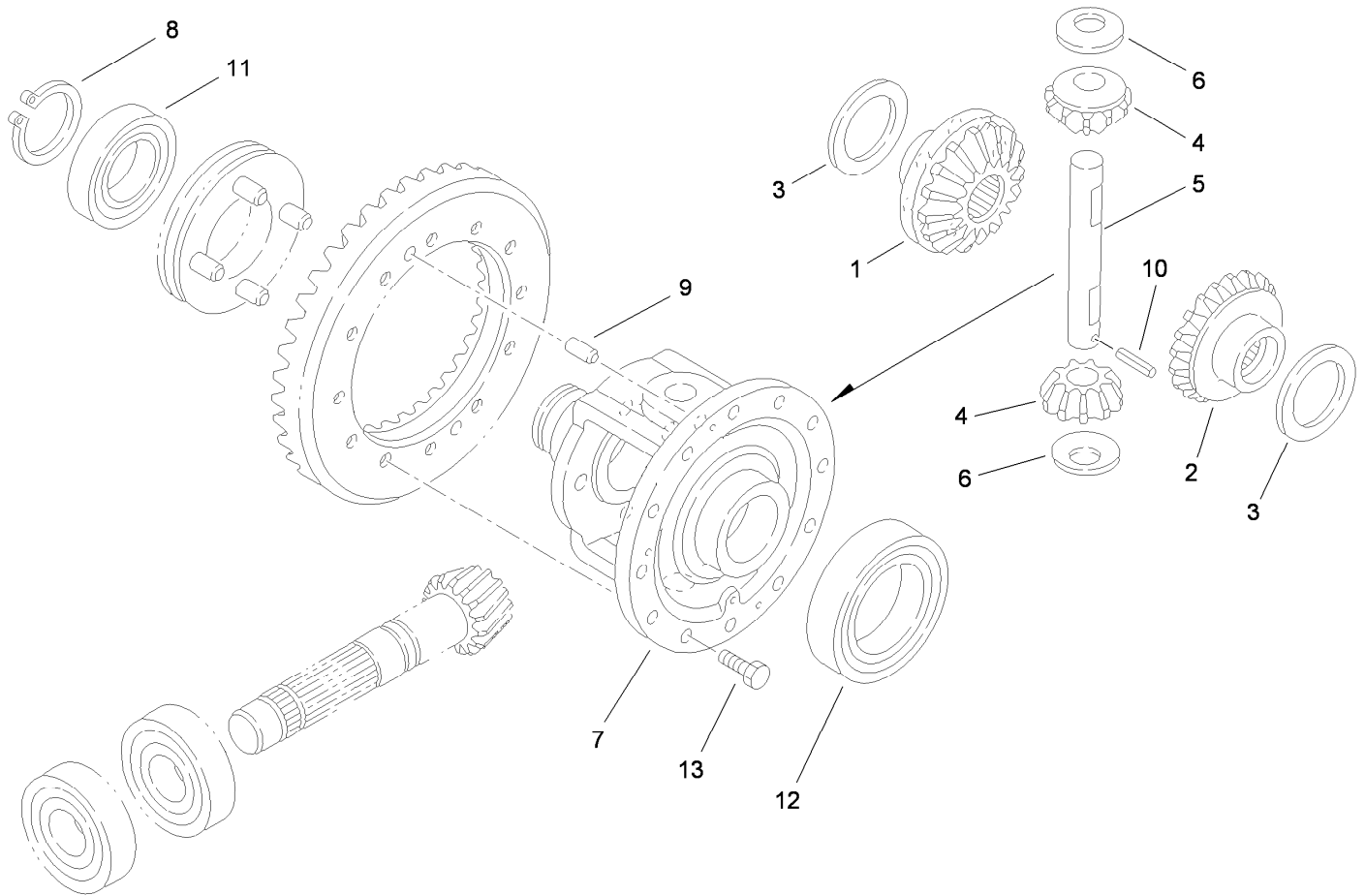
Hi-Lo Shift Assembly Transaxle Assembly No. 115-7783

<i>Ref.</i>	<i>Part Number</i>	<i>Qty.</i>	<i>Description</i>
1	92-0729	1	Seal-Oil
2	92-0818	1	Arm-Shift
3	92-0731	1	Spring
4	92-0708	1	Shaft-Fork
5	92-0709	1	Fork-Shift
6	92-0732	1	Plate-Keeper
7	92-0761	1	Ring-E
8	92-0785	1	Ball-Steel
9	33104-016	1	Screw-HHF



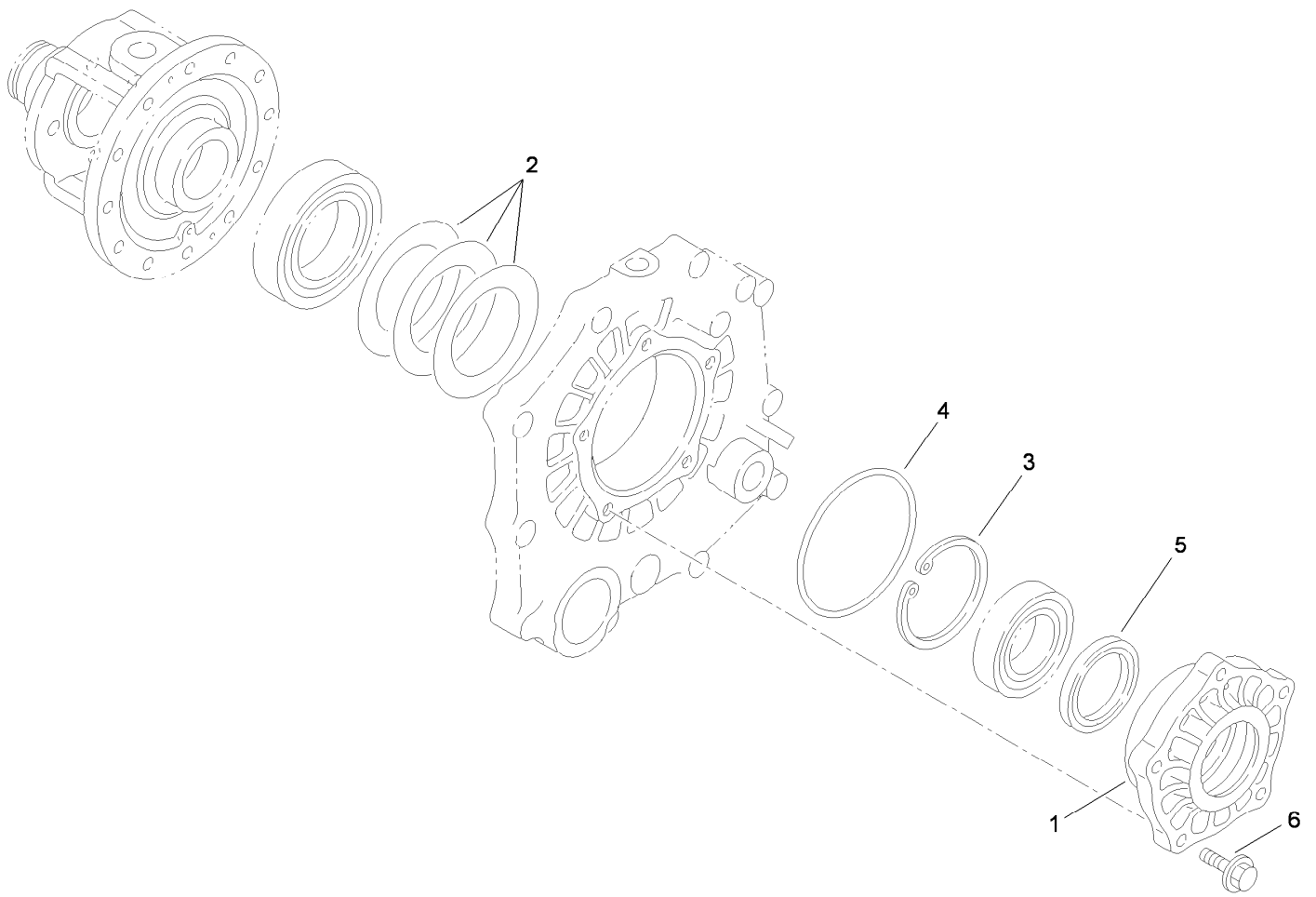
Countershaft Assembly Transaxle Assembly No. 115-7783

<i>Ref.</i>	<i>Part Number</i>	<i>Qty.</i>	<i>Description</i>
1	92-0741	1	Washer-Thrust
2	105-7983	1	Countershaft And Ring Gear ASM
3	92-0711	2	Washer-Thrust
4	92-0713	1	Collar
5	92-0714	2	Bearing
6	92-0715	1	Gear-Countershaft
7	92-0716	1	Collar
8	92-0717	1	Gear-Countershaft
10	92-0718	1	Shifter
11	105-7986	1	Collar-Spline
12	92-0712	1	Bearing-Ball
13	105-7987	2	Ring-Snap
14	92-0755	1	Ring-Snap
15	92-0783	1	Race-Inner



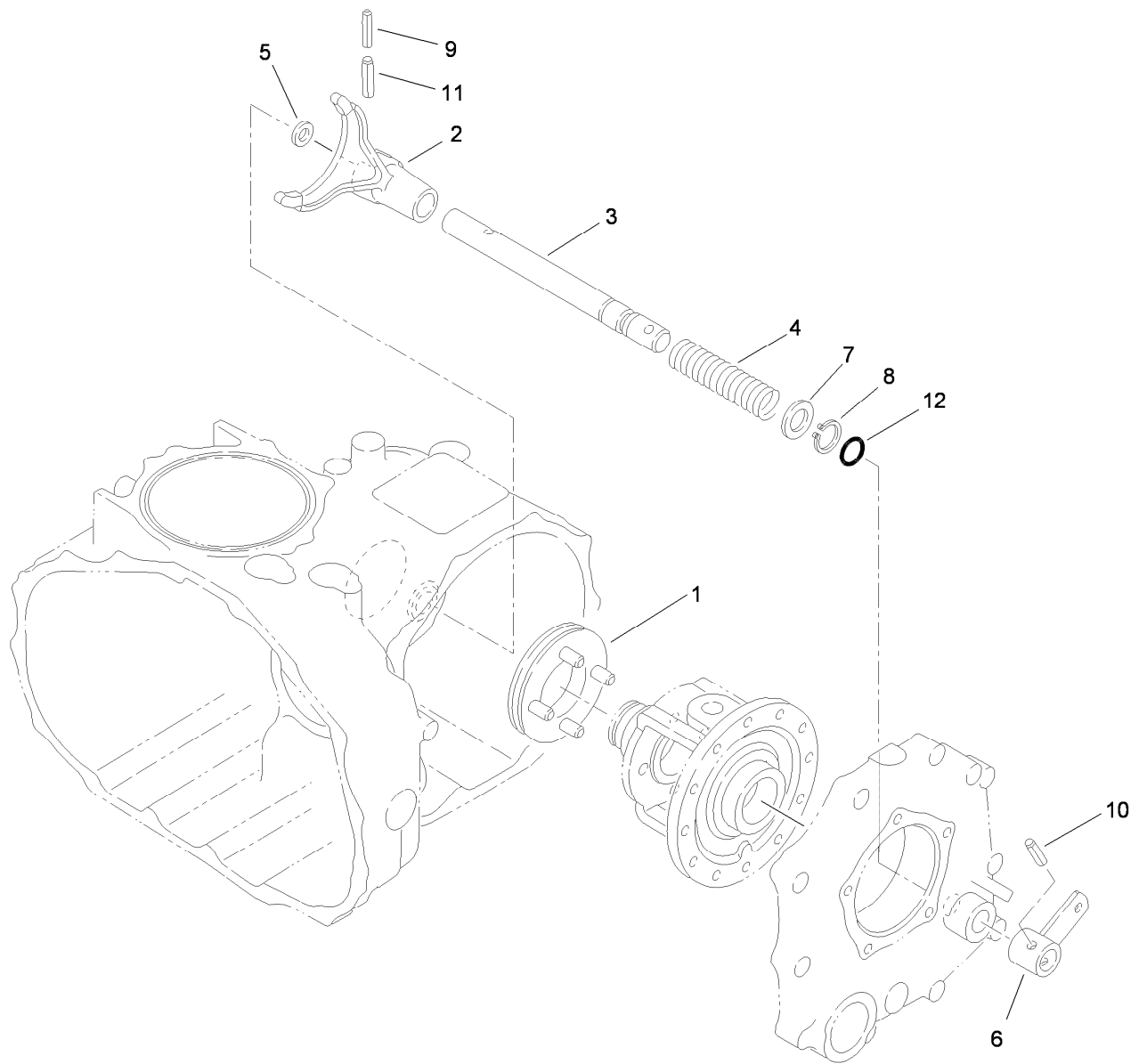
Differential Gear Assembly Transaxle Assembly No. 115-7783

<i>Ref.</i>	<i>Part Number</i>	<i>Qty.</i>	<i>Description</i>
1	92-0745	1	Gear-Side, LH
2	92-0746	1	Gear-Side, RH
3	92-0747	2	Side-Gear, Left Inner
4	92-0748	2	Pinion-Differential
5	92-0749	1	Shaft-Pinion
6	92-0750	2	Washer
7	92-0720	1	Case-Differential
8	92-0756	1	Ring-Snap
9	92-0765	2	Pin-Parallel
10	92-0768	1	Pin-Roll, Spring
11	92-0775	1	Bearing
12	92-0776	1	Bearing
13	92-0803	12	Bolt



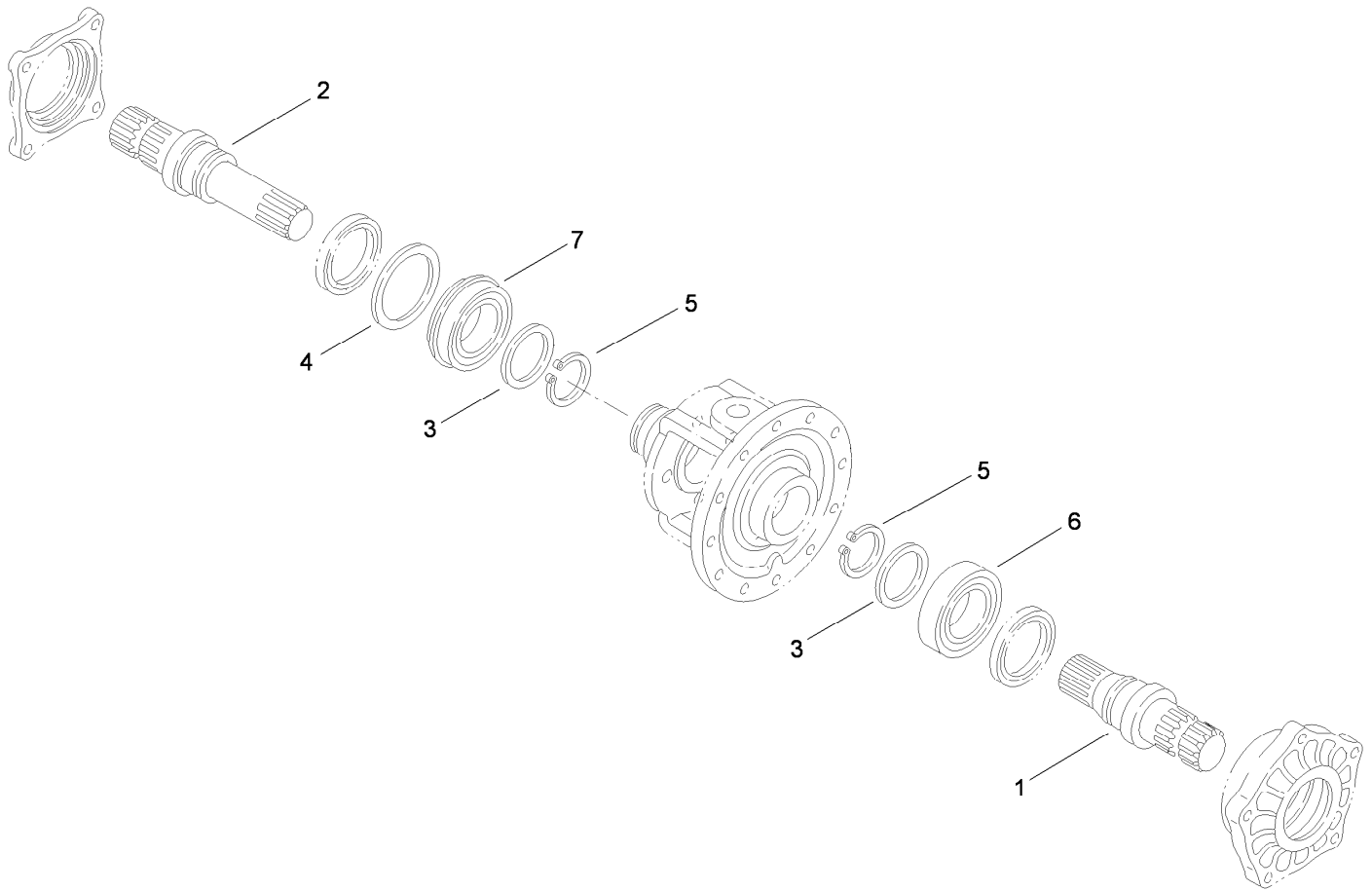
Differential Carrier Assembly Transaxle Assembly No. 115-7783

<i>Ref.</i>	<i>Part Number</i>	<i>Qty.</i>	<i>Description</i>
1	92-0654	1	Carrier-Differential
2	92-0809	1	Set-Shim
3	92-0760	1	Ring-Snap
4	92-0789	1	O-Ring
5	92-0793	1	Seal-Oil
6	33104-030	5	Screw-HHF



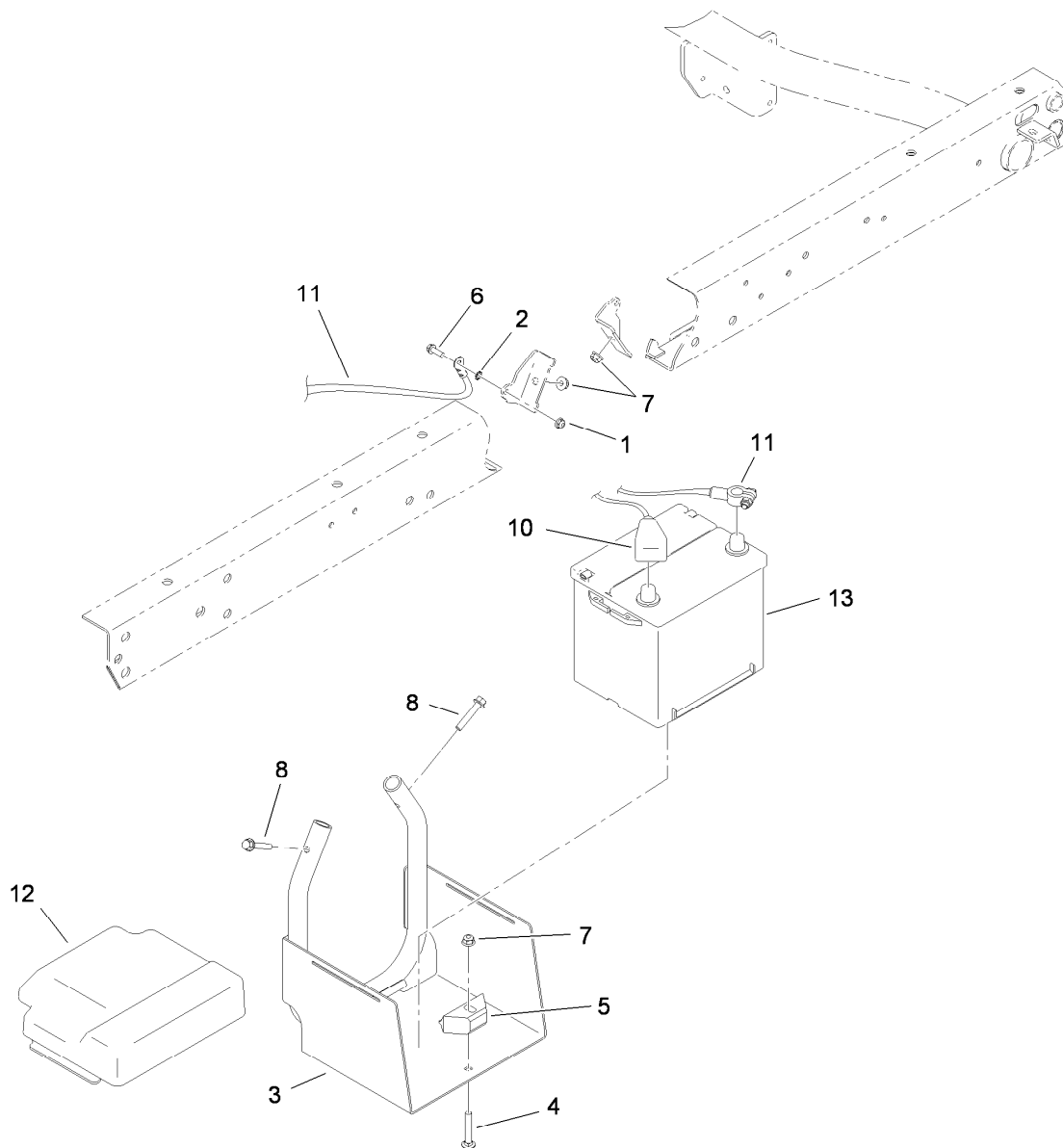
Differential Lock Assembly Transaxle Assembly No. 115-7783

<i>Ref.</i>	<i>Part Number</i>	<i>Qty.</i>	<i>Description</i>
1	92-0730	1	Slider-Differential, Lock
2	92-0721	1	Fork-Lock, Differential
3	92-0722	1	Shaft-Fork, Lock Differential
4	92-0723	1	Spring-Lock, Differential
5	92-0744	1	Washer
6	92-0724	1	Arm-Lock, Differential
7	92-0733	1	Washer
8	92-0753	1	Ring-Snap
9	92-0768	1	Pin-Roll, Spring
10	92-0770	1	Pin-Roll, Spring
11	92-0771	1	Pin-Roll, Spring
12	92-0787	1	O-Ring



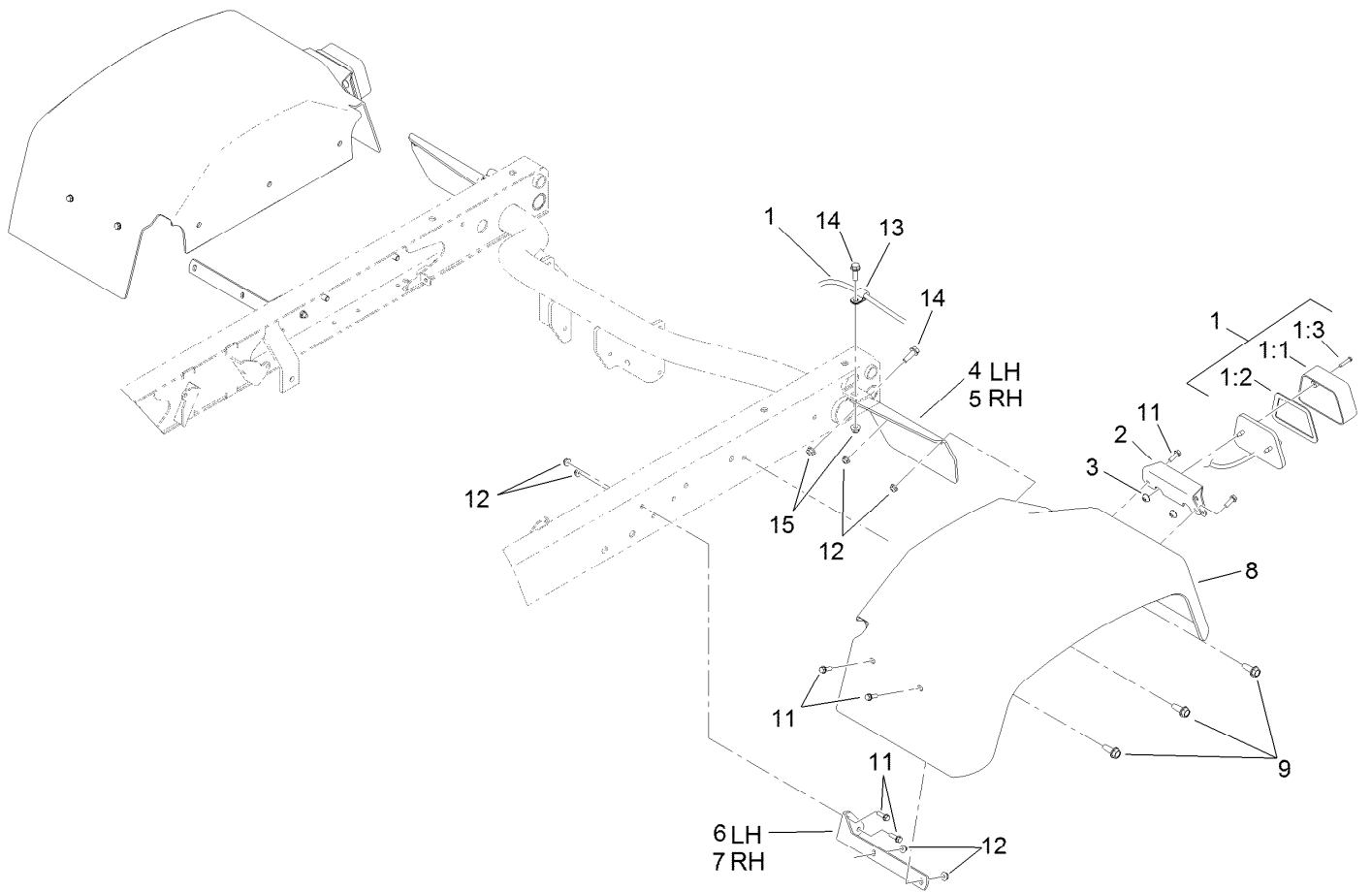
Axle Shaft Assembly Transaxle Assembly No. 115-7783

<i>Ref.</i>	<i>Part Number</i>	<i>Qty.</i>	<i>Description</i>
1	92-0725	1	Shaft-Axle, Left
2	92-0726	1	Shaft-Axle, Right
3	92-0727	2	Washer
4	92-0728	1	Washer
5	92-0756	2	Ring-Snap
6	92-0775	1	Bearing
7	92-0780	1	Bearing



Battery Assembly

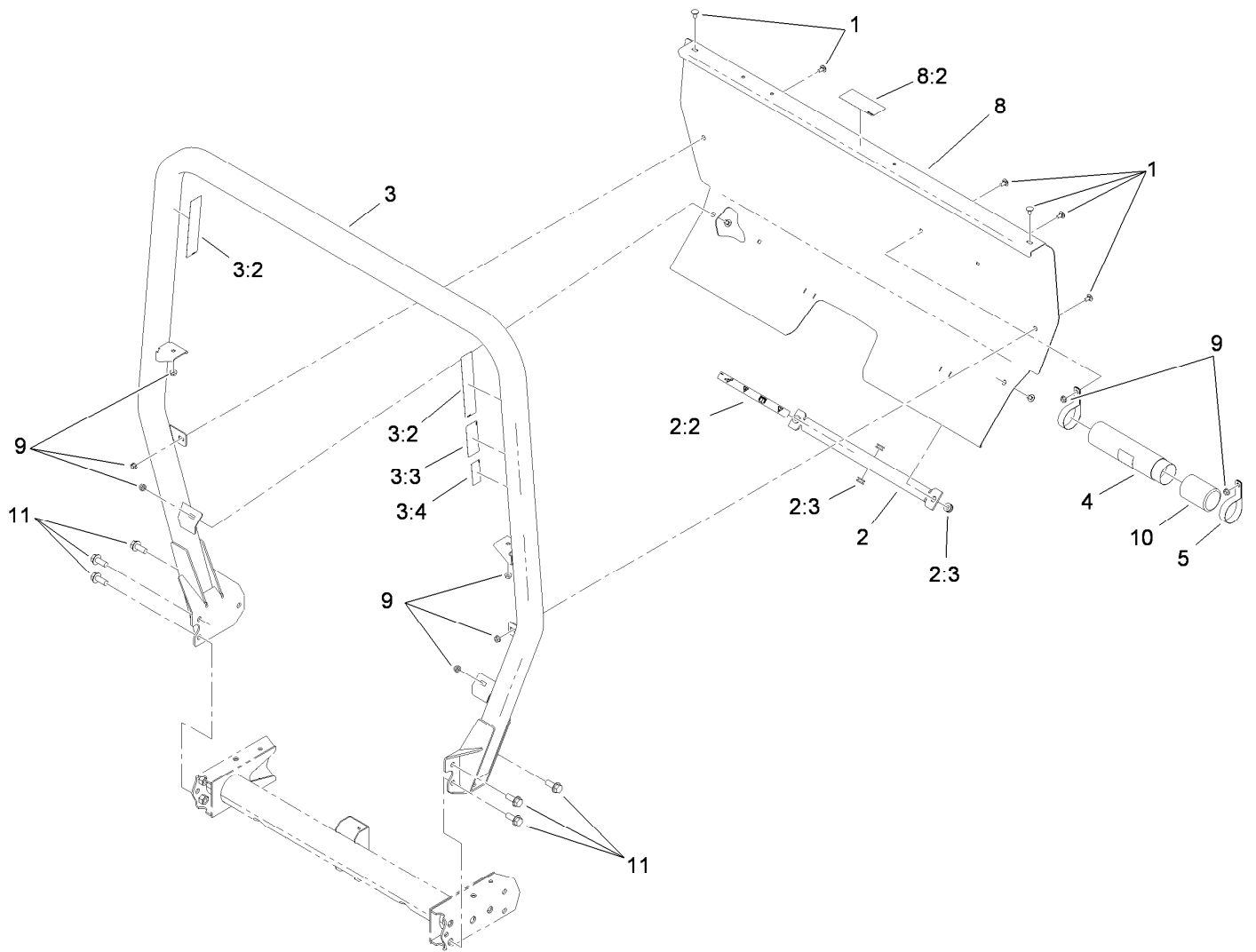
<i>Ref.</i>	<i>Part Number</i>	<i>Qty.</i>	<i>Description</i>
1	104-7201	1	Nut-HF
2	3255-8	1	Washer-Lock
3	115-2237-03	1	Tray-Battery
4	3230-6	1	Screw-CARR
5	66-2490	1	Retainer-Battery
6	32105-15	1	Screw-HWH
7	104-8300	3	Nut-HF, NI
8	94-5780	2	Screw-HWH
10	87-8000	1	Cable-Battery, Positive
11	115-8122	1	Cable-Battery, Negative
12	115-2448	1	Cover-Battery
13	106-5187	1	Battery-Dry



Tail Light and Fender Assembly

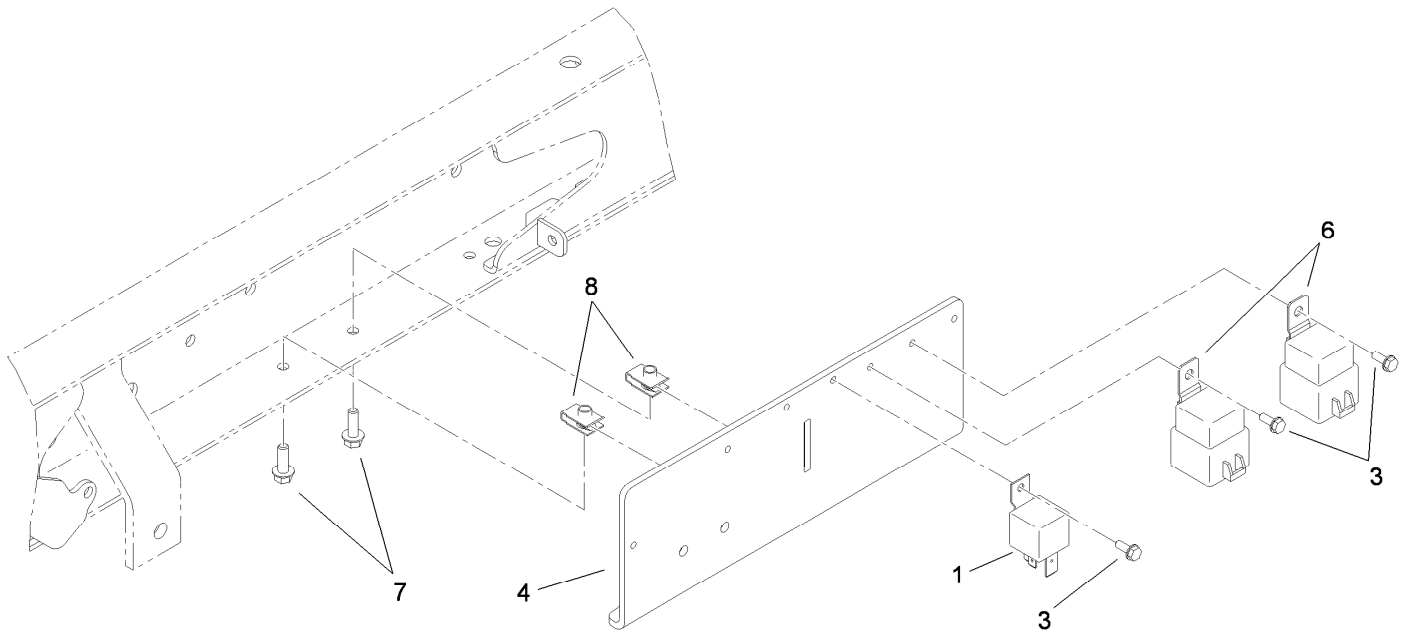
Ref.	Part Number	Qty.	Description
1	115-7745	2	Light-Tail, Brake
1:1	87-6300	1	Lens-Light, Tail
1:2	87-6310	1	Gasket-Light, Tail
1:3	32144-93	2	Screw-PPHTF
2	115-2289-03	2	Bracket-Light, Tail
3	3290-506	4	Nut
4	93-8943-03	1	Bracket-Fender, Rear (LH)
5	93-8944-03	1	Bracket-Fender, Rear (RH)
6	93-8941-03	1	Bracket-Fender, Front (LH)

Ref.	Part Number	Qty.	Description
7	93-8942-03	1	Bracket-Fender, Front (RH)
8	87-6660	2	Fender-Rear
9	105-6245	6	Screw-Tapping
11	32105-15	12	Screw-HWH
12	104-7201	12	Nut-HF
13	2412-93	2	Clamp-R
14	3234-17	4	Screw-HHF
15	104-8300	4	Nut-HF, NI



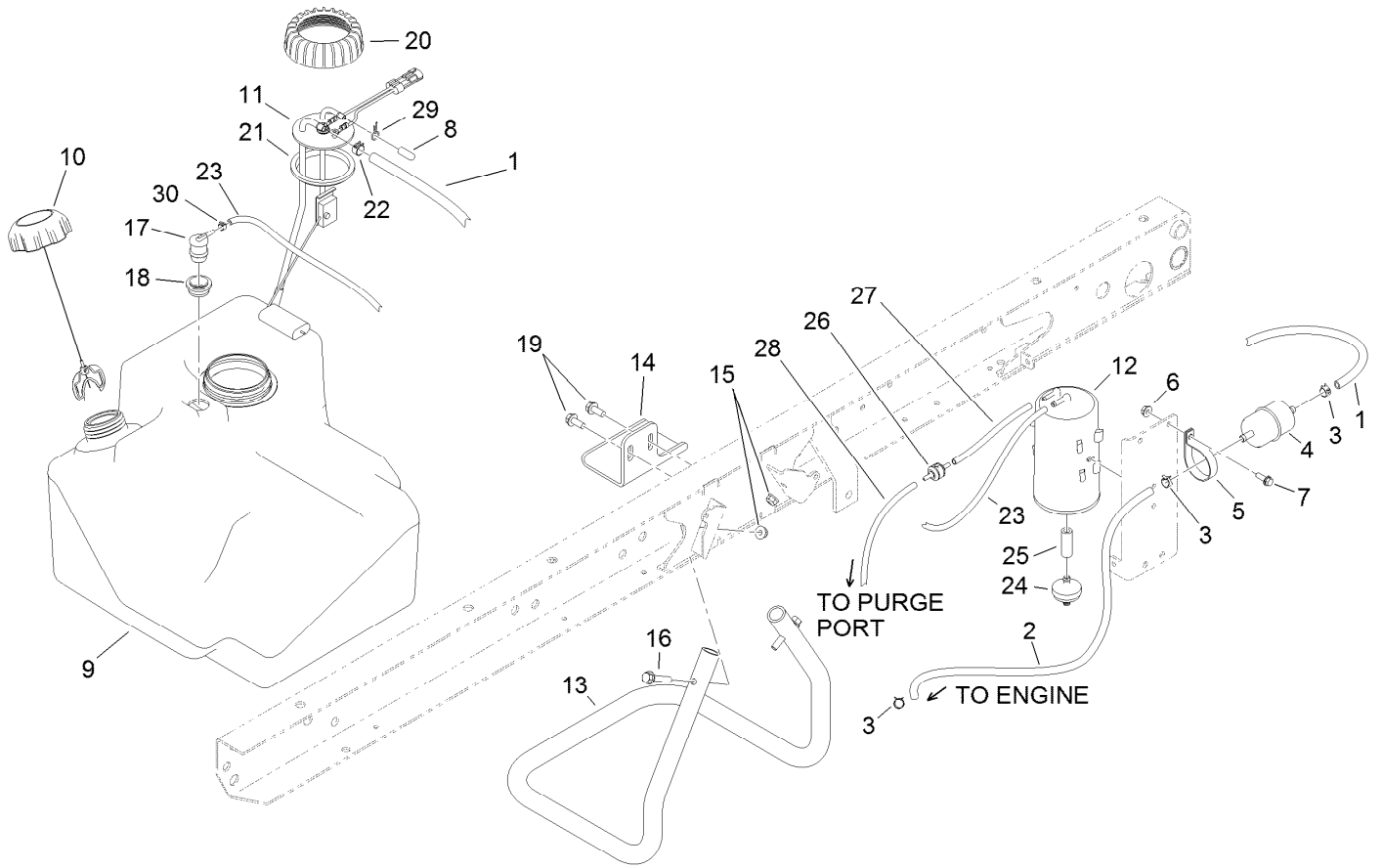
Roll-Over Protection System Assembly

Ref.	Part Number	Qty.	Description
1	3230-18	8	Screw-CARR
2	105-7960	1	Bed Support ASM
2:2	93-9852	1	Decal-Warning
2:3	92-5972	4	Grommet-Rubber
3	115-7910	1	ROPS ASM
3:2	106-7767	2	Decal-ROPS
3:3	93-9850	1	Decal-ROPS, CE
3:4	117-4969	1	Decal-ROPS, ISO
4	104-7050	1	Tube-Manual
5	2412-133	2	Clamp-R
8	115-2213	1	ROPS Cover ASM
8:2	105-4215	1	Decal-Caution
9	32128-20	8	Nut-HF
10	104-7048	1	Cap-Housing
11	3234-38	6	Screw-HHF



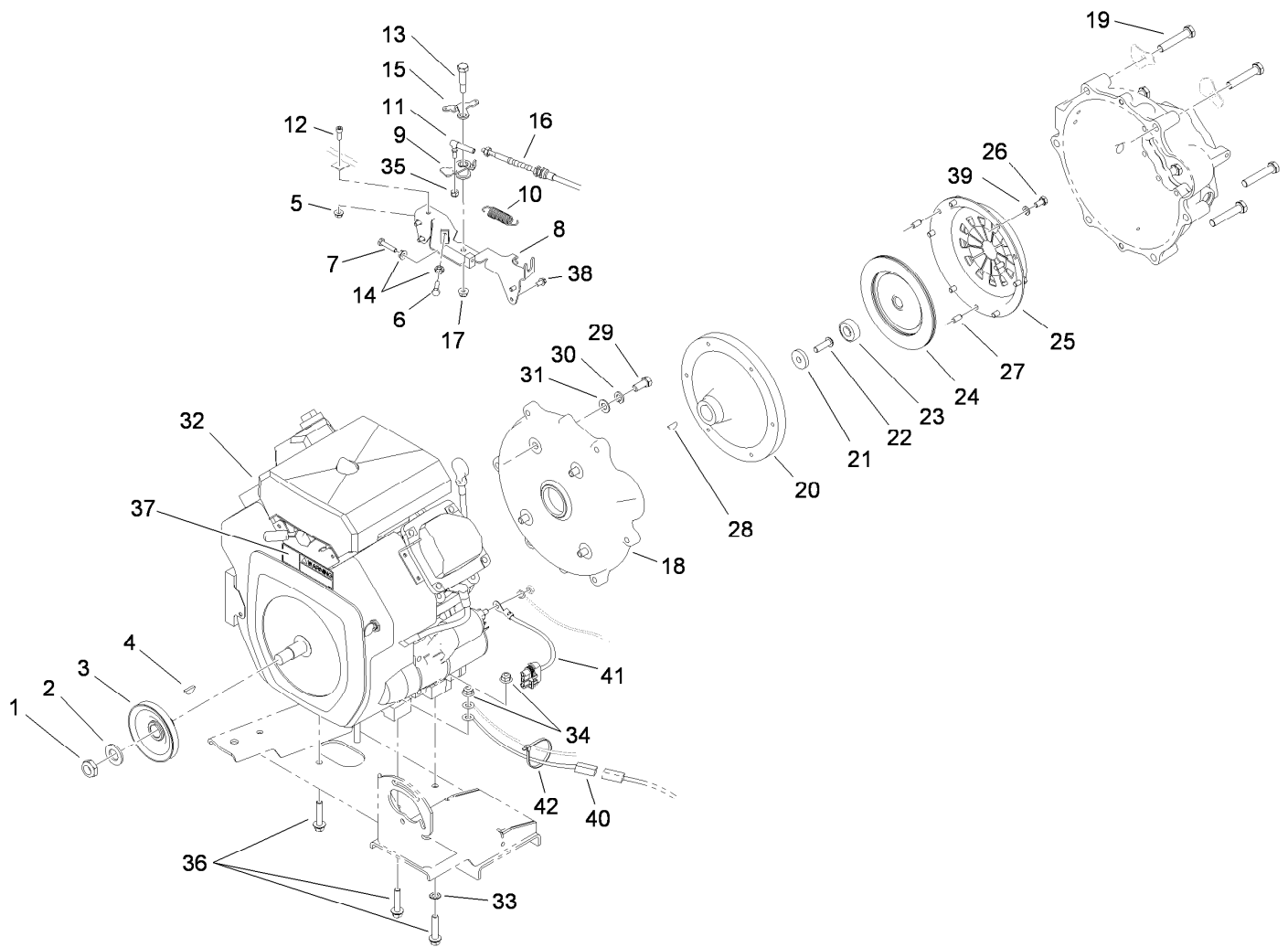
Relay Assembly

Ref.	Part Number	Qty.	Description
1	99-7435	1	Relay-Power
3	32144-112	3	Screw-HWH
4	115-2225	1	Bracket-Relay
6	99-7430	2	Relay
7	3234-4	2	Screw-HHF
8	107069	2	Clip



Fuel System Assembly

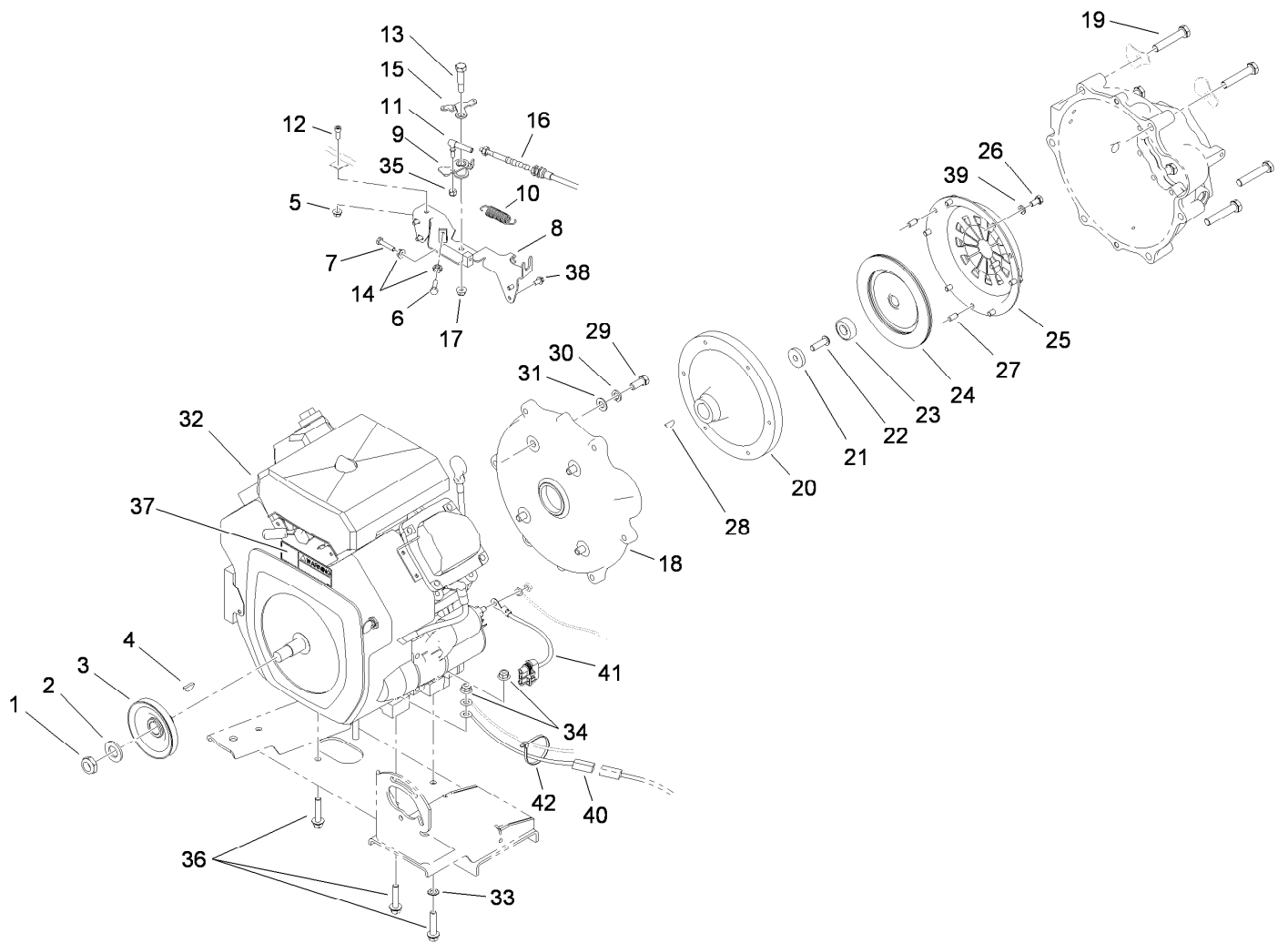
<i>Ref.</i>	<i>Part Number</i>	<i>Qty.</i>	<i>Description</i>	<i>Ref.</i>	<i>Part Number</i>	<i>Qty.</i>	<i>Description</i>
1	110-3372	1	Hose-Fuel	16	94-5780	2	Screw-HWH
2	109-0281	1	Hose-Fuel	17	114-0285	1	Valve-Rollover
3	2412-98	3	Clamp-Hose	18	114-0284	1	Grommet
4	108-3854	1	Filter-Fuel	19	32144-11	2	Screw-HWHTF
5	2412-148	1	Clamp-R	20	115-2162	1	Cap-Pump, Fuel
6	32128-33	1	Nut-HF	21	115-2163	1	Gasket-Pump, Fuel
7	3234-4	1	Screw-HHF	22	92-2379	1	Clamp-Hose
8	115-2403	1	Cap	23	110-3254	1	Hose-Fuel
9	115-7700	1	Tank-Fuel	24	115-7854	1	Filter-Fuel, Inline
10	115-7788	1	Cap-Fuel	25	106-5317	1	Hose-Fuel
11	114-8348	1	Sender-Fuel	26	115-7868	1	Valve-Check, Vacuum
12	115-2251	1	Canister-Carbon	27	115-7871	1	Hose-Fuel
13	115-7767-03	1	Tube-Support	28	115-7872	1	Hose-Fuel
14	114-8404	1	Plate-Retainer	29	2412-79	1	Clamp-Hose
15	104-8300	2	Nut-HF, NI	30	2412-146	1	Clamp-Hose



Engine Assembly

Ref.	Part Number	Qty.	Description	Ref.	Part Number	Qty.	Description
1	3296-15	1	Nut-Lock, NI	19	107-7983	6	Screw-HH
2	3256-28	1	Washer-Flat	20	87-6480	1	Flywheel
3	87-7710	1	Pulley ASM	21	87-6080	1	Washer
4	3257-7	1	Key-Woodruff	22	3274-63	1	Screw-HSBH
5	32128-33	1	Nut-HF	23	87-6460	1	Bearing-Ball (W/Seal)
6	329-6	1	Screw-HH	24	104-9219	1	Disc-Clutch
7	329-7	1	Screw-HH	25	104-9231	1	Plate-Pressure, Clutch
8	87-7780-03	1	Bracket-Throttle	26	33114-016	6	Screw-HH
9	87-7800	1	Lever-Throttle	27	42-7160	3	Pin
10	67-1450	1	Spring-Idler	28	3257-5	1	Key-Woodruff
11	18-1720	1	Ball Joint	29	324-4	4	Screw-HH
12	3274-15	1	Screw-HSH	30	3253-6	4	Washer-Lock
13	7-0030	1	Screw-Shoulder, HH	31	3256-25	4	Washer-Flat
14	3220-1	2	Nut-Jam	32	115-7819	1	Engine-Kohler, Ch680-3025
15	87-7790	1	Lever-Choke	32:1	108-3847	1	Filter-Oil ●
16	115-2286	1	Cable-Accelerator	33	3255-9	1	Washer-Lock
17	104-8300	1	Nut-HF, NI	34	104-8301	4	Nut-HF, NI
18	107-7991	1	Adapter-Clutch	35	3296-3	1	Nut-Lock

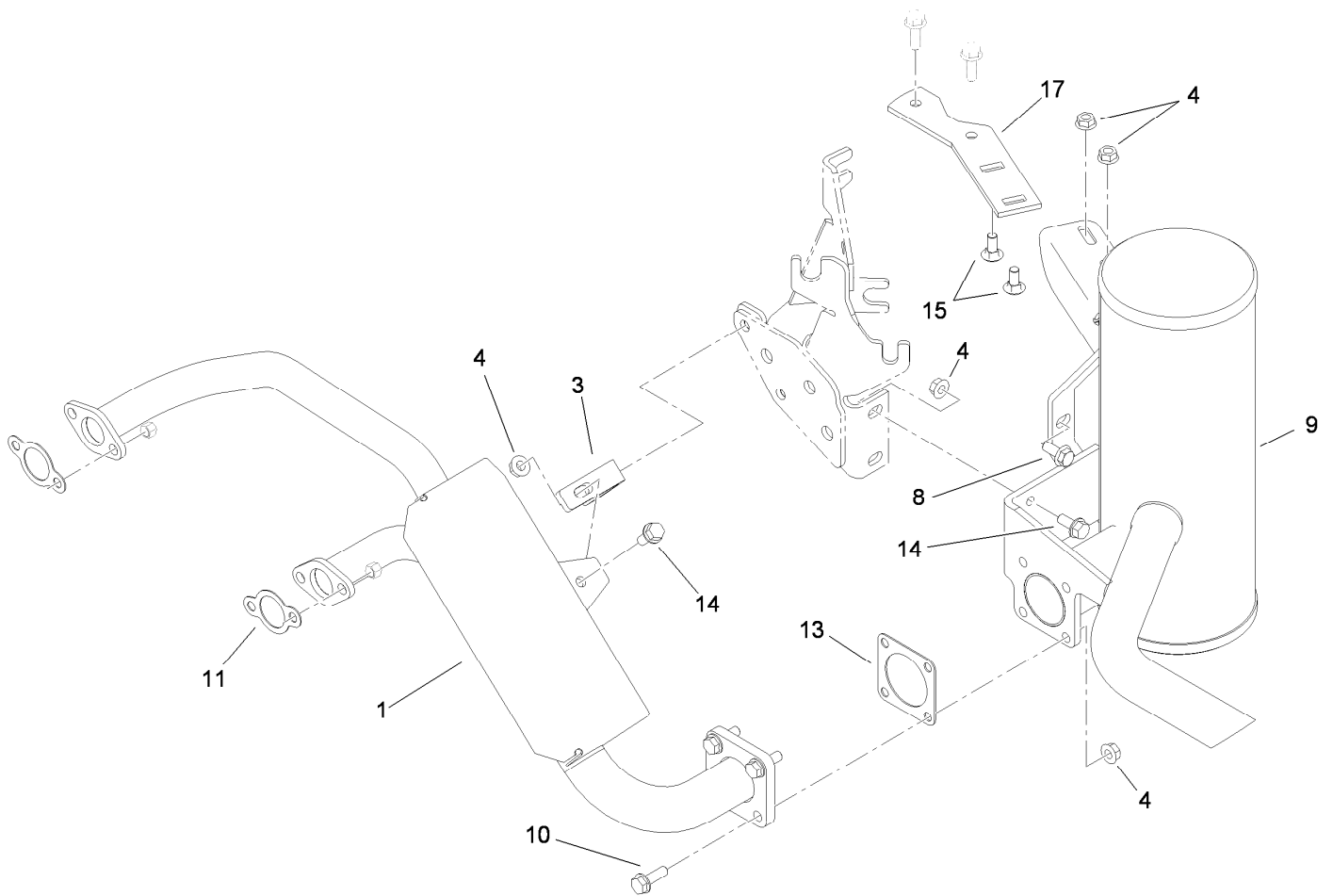
● Not illustrated



Engine Assembly (continued)

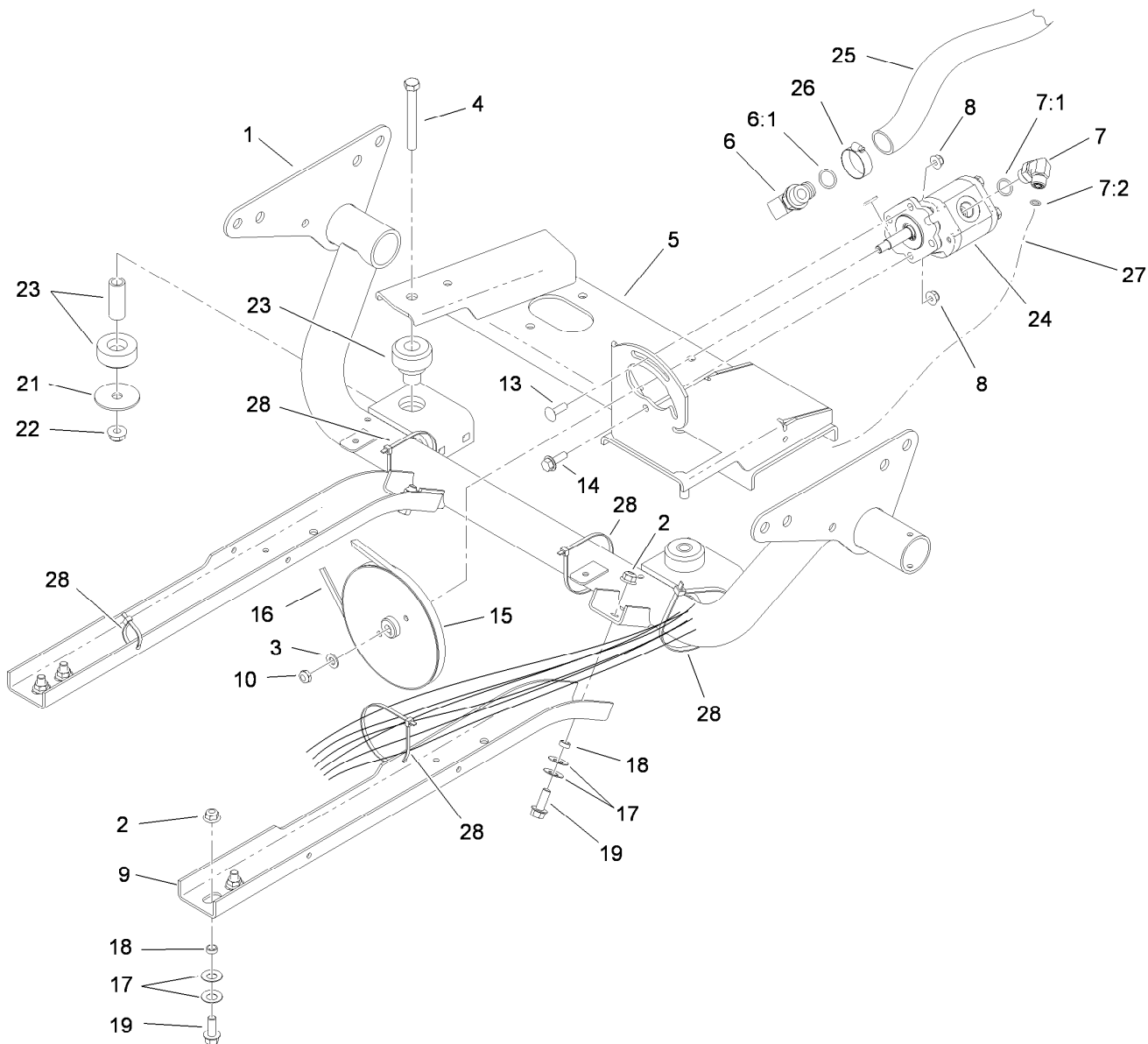
<i>Ref.</i>	<i>Part Number</i>	<i>Qty.</i>	<i>Description</i>	<i>Ref.</i>	<i>Part Number</i>	<i>Qty.</i>	<i>Description</i>
36	3234-19	4	Screw-HHF	40	117-5612	1	Harness-Wire, Ground
37	80-8040	1	Decal-Warning	41	99-3441	1	Harness-Wire, Fusible Link
38	32144-4	4	Screw-HWH	42	3290-379	1	Tie-Cable
39	3253-4	6	Washer-Lock				

● Not illustrated



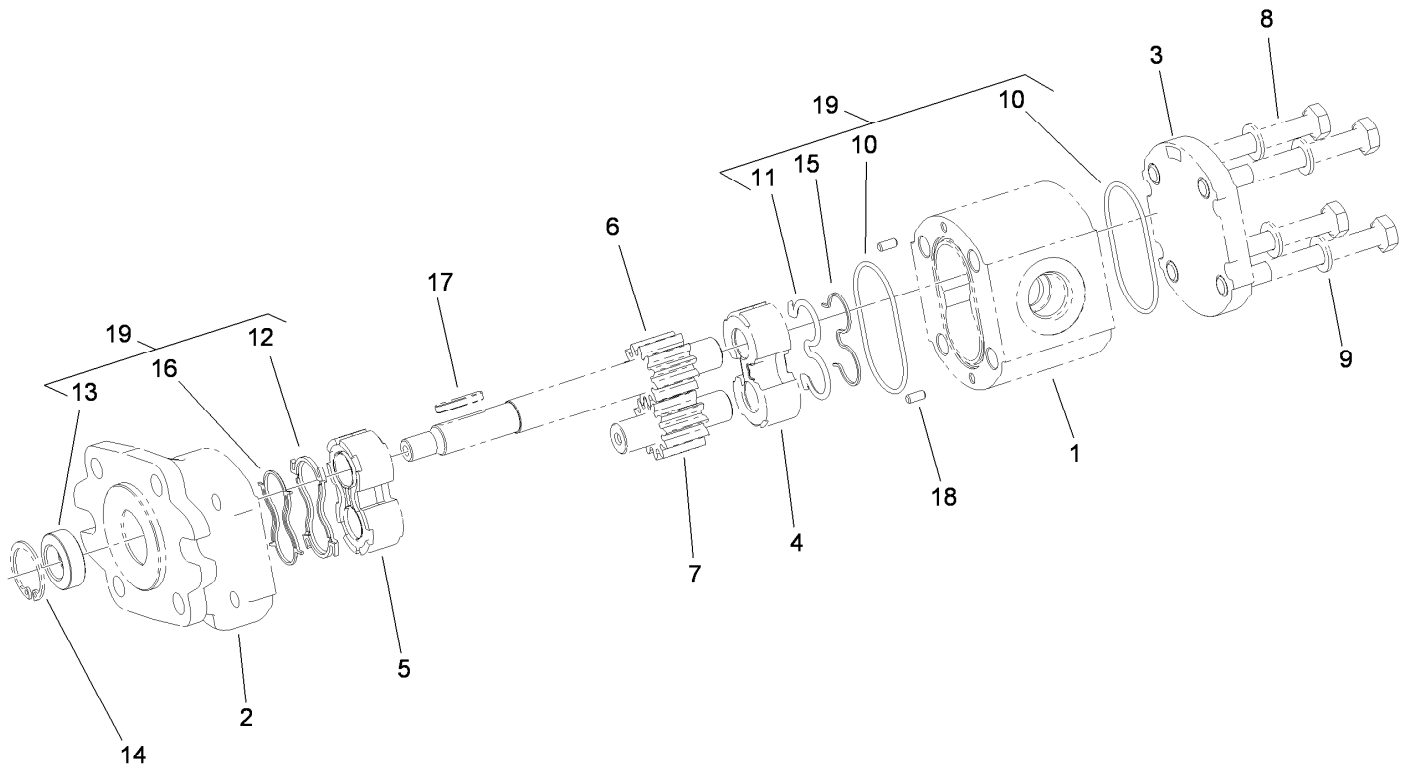
Muffler Assembly

<i>Ref.</i>	<i>Part Number</i>	<i>Qty.</i>	<i>Description</i>
1	106-7855	1	Manifold-Cooled, Air
3	106-7880-03	1	Mount-Angle
4	32128-20	9	Nut-HF
8	98-7977	1	Screw-HHF
9	115-7725	1	Muffler
10	3234-17	4	Screw-HHF
11	93-0350	2	Gasket-Exhaust
13	105-4209	1	Gasket-Muffler
14	3234-5	3	Screw-HHF
15	3230-1	2	Bolt-CARR
17	105-9472	1	Plate-Mount, Muffler



Engine Support Assembly

<i>Ref.</i>	<i>Part Number</i>	<i>Qty.</i>	<i>Description</i>	<i>Ref.</i>	<i>Part Number</i>	<i>Qty.</i>	<i>Description</i>
1	115-2257-03	1	Engine Support ASM	14	3234-29	1	Screw-HHF
2	104-8301	6	Nut-HF, NI	15	87-7740	1	Pulley
3	3256-45	1	Washer-Flat	16	87-8370	1	V-Belt
4	324-13	2	Screw-HH	17	3290-413	12	Washer-Belleville
5	115-2352-03	1	Engine Mount ASM	18	76-9100	6	Spacer
6	87-8170	1	Fitting	19	3234-11	6	Screw-HHF
6:1	237-80	1	O-Ring	21	87-5100	2	Washer-Snubbing
7	340-18	1	Fitting-HYD, 90 DEG	22	114-8417	2	Nut-HF, NI
7:1	237-79	1	O-Ring	23	106-7865	2	Mount-Engine
7:2	237-22	1	O-Ring	24	112-2983	1	Pump-Gear, Hydraulic
8	104-8300	2	Nut-HF, NI	25	87-8030	1	Hose-Suction
9	87-4730-03	2	Guard-Belly	26	2412-129	1	Clamp-Hose
10	3296-5	1	Nut-Hex	27	95-0965	1	Hose ASM
13	3230-22	1	Screw-CARR	28	3290-379	5	Tie-Cable

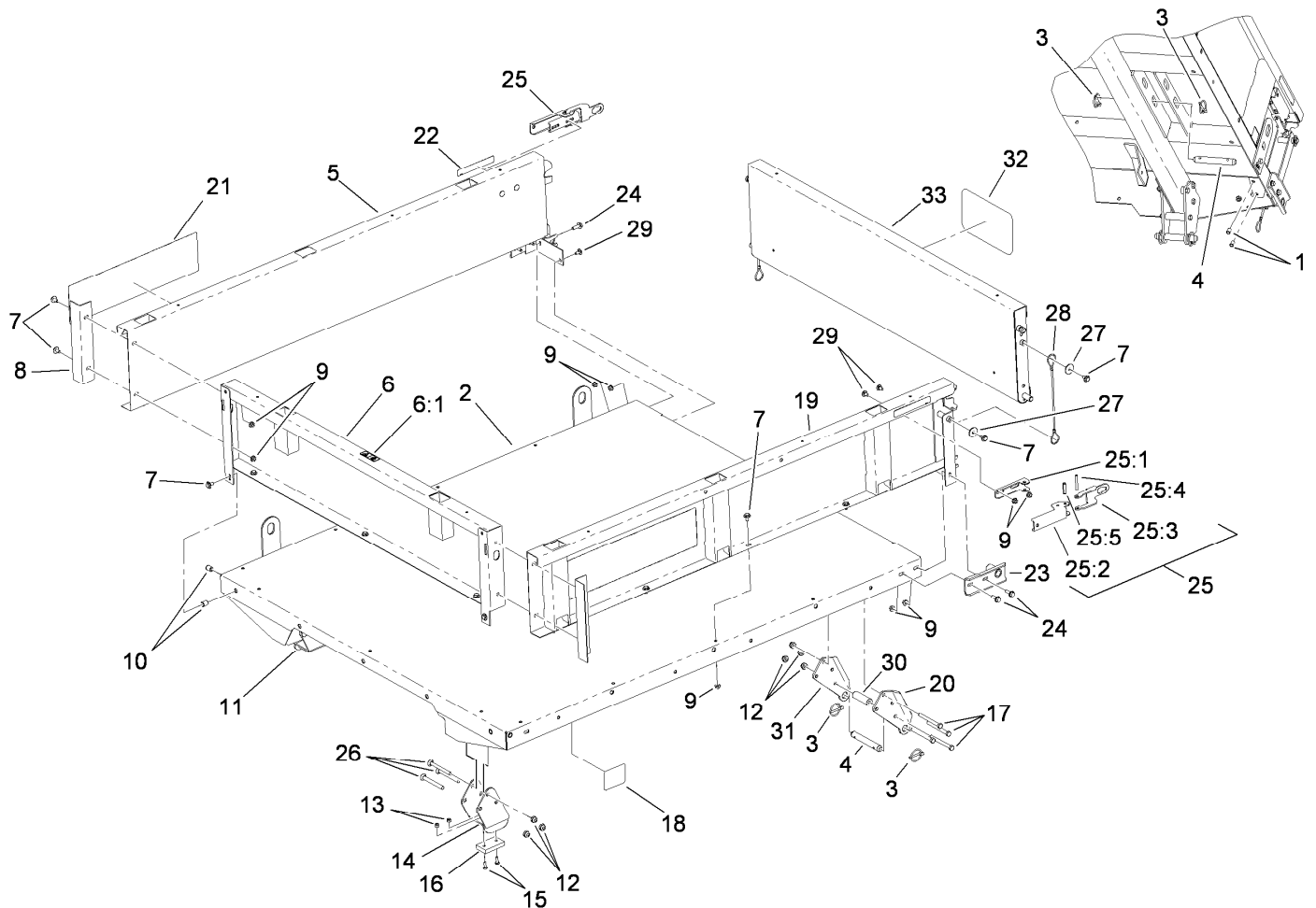


Hydraulic Gear Pump Assembly No. 112-2983

Ref.	Part Number	Qty.	Description
1		1	Body ●
2		1	Cover-Front ●
3		1	Cover-Rear ●
4		1	Plate-Thrust ●
5		1	Plate-Thrust, Upper ●
6		1	Shaft-Drive ●
7		1	Gear-Driven ●
8		4	Screw-HH ●
9		4	Washer ●
10		2	O-Ring Seal ●

Ref.	Part Number	Qty.	Description
11		1	Seal ●
12		1	Seal-Upper ●
13		1	Seal-Shaft ●
14		1	Ring-Clip ●
15		1	Seal-Extrusion, Anti ●
16		1	Seal-Extrusion, Anti ●
17	115-7856	1	Key-Square
18		1	Pin-Dowel ●
19	112-0199	1	Seal Kit

● Not serviced separately



Full Bed and Side Panel Assembly

Ref.	Part Number	Qty.	Description	Ref.	Part Number	Qty.	Description
1	32148-6	4	Insert-Nut	20	93-9720-03	2	Bracket-Pivot, Long (LH)
2	93-9724-03	1	Flatbed-Full	21	115-7913	2	Decal
3	92-1298	8	Pin-Lynch	22	93-9868	2	Decal-Caution
4	92-1233	4	Pin-Clevis	23	92-1265-03	2	Bracket-Pivot
5	92-1255-03	1	Panel-Side, RH	24	3234-29	6	Screw-HHF
6	92-5982	1	Front Panel ASM	25	99-1123	2	Latch ASM
6:1	115-7739	1	Decal-No Riders	25:1	92-1271	1	Pivot-Latch
7	3234-7	21	Screw-HHF	25:2	99-1113	1	Handle-Latch
8	92-1320-03	2	Angle-Side	25:3	99-1112	1	Plate-Retainer
9	32128-20	27	Nut-HF	25:4	32121-78	1	Pin-Roll
10	32148-7	4	Nut-Insert	25:5	32121-25	1	Pin-Roll
11	106-2423-03	1	Bracket-Spacer, RH	26	3231-24	6	Screw-CARR
12	3296-44	14	Nut-Lock, NI	27	3256-57	4	Washer-Flat
13	3296-42	4	Nut-Lock, NI	28	93-9595	2	Lanyard
14	106-2422-03	1	Bracket-Spacer, LH	29	3230-18	6	Screw-CARR
15	3250-45	4	Screw-SPH	30	93-9575	2	Tube-Pivot, Flatbed
16	93-9719	2	Block-Wear	31	93-9721-03	2	Bracket-Pivot, Long (RH)
17	323-42	8	Screw-HH	32	105-4222	1	Decal
18	93-9899	2	Decal-Warning	33	92-1259-03	1	Tailgate-Rear
19	92-1248-03	1	Panel-Side, LH				

Attachments and Accessories

For 07369 Workman HD Utility Vehicle with Bed

Product Name	Model/Part
Full Area Flatbed	07301
Full Area Flatbed Side Kit	07302
Fold Down Side Kit	07303
2/3 Area Flatbed	07321
2/3 Area Flatbed Side Kit	07322
Bed Liner	07331
Cab	07339
1/3 Area Flatbed	07341
1/3 Area Stake Side Kit	07342
1/3 Area Platform Lift	07344
Canopy	07372
Windshield	07373
Cab Door Kit	07375
Solid Window Cab Door Kit	07376
Hitch Frame Kit	07377
4 Post Roll-Over Protection System	07378
Rear PTO Kit	07419
Hand Throttle Kit	07420
Spiker	08856
Finish Grader	08867
Backup Alarm Kit	107-8037
Premium Engine Oil, 10w30 (55 Gallon Drum)	108-1179
Premium Engine Oil, 10w30 (5 Gallon Pail)	108-1180
Premium ATF (Drum)	108-1185
Premium ATF (Pail)	108-1186
Premium All Purpose Grease (Tube)	108-1190
Remote Hydraulics Manifold Kit	110-2626
Tire-Rear, 24x13-12	110-5132
Spark Arrestor Kit	112-1688
Tachometer And Speedometer Kit	115-7786
Side Mirror Kit	115-7849
Roll-Over Protection System Signal Kit	117-4825
Worklight Kit	117-4827
Remote Hydraulic Float Kit	117-4828
Cab Mirror Kit	117-4830
Receiver Hitch Kit	117-4831
Trailer Signal Kit	117-4836
Trailer Brake Kit	117-4837
24x13-12 Tire and Wheel ASM	117-4838
Sprayer Cylinder Lift Kit, Workman 200 Spray System	117-4846
Harness-Wire, Speedometer Adapter	119-1762
Tapered Nozzle Kit	119-6280
Rectangular Nozzle Kit	119-6281
Nozzle-Extension, Straight	119-6282
Nozzle-Extension, Tapered	119-6283
Nozzle-Extension, Rectangular	119-6284

Attachments and Accessories (continued)

Road Light and Homologation Kit	120-5030
Brake and Signal Light Kit.....	120-5045
Single Nozzle Kit.....	41024
Hose Reel Kit.....	41097
Spray Gun Kit 9 (inc. 25ft Of 1/2in Hose)	41133
Pro Foam Concentrate (4 x 1 Gallon)	41157
Sonic Boom Kit	41217
Workman 200 Spray System	41235
Foam Marker Kit	41236
Topdresser 1800.....	44225
Core Harvester Adapter Kit.....	44242
ProPass 200 Top Dresser with Twin Spinner and Wireless Control	44700
ProPass 200 Top Dresser with Twin Spinner	44701
Twin Spinner.....	44702
Conveyor and Swivel Kit.....	44703
Tow-Type Chassis	44704
Tow-Type Chassis Fender Kit	44705
Tow-Type Chassis Hose Assembly Kit.....	44706
Toro Workman Chassis.....	44707
Storage Stand.....	44712
Hydraulic Power Pack.....	44713
Automatic Tailgate Release Kit	92-1220
Fuse Block.....	92-2641
PTO Over Running Clutch Kit	92-2655
Topdresser 1800 Lift Kit	92-4452
Mid-Mount Kit for Platform Lift.....	93-3741
1/3 Area Cover Kit	93-9225
Rear 1/3 Area Mounting Kit.....	93-9249
Tire-Rear, 23x8.50-12.....	98-2993

Notes:

Notes:

Notes:



Count on it.