



Count on it.

Parts Catalog

**Workman® HD Utility Vehicle with
Bed**

Model No. 07369—Serial No. 310000001 and Up



Ordering Replacement Parts

To order replacement parts, please supply the part number, the quantity, and the description of each part desired.

Understanding Reference Numbers

Each identified part in an illustration has a reference number. The reference number for a part also appears in the parts list, along with other information about the part.

This catalog uses two special reference number formats, one to indicate parts in a service assembly and another to indicate the quantity of a given part in an illustration.

Service Assembly Reference Numbers

Parts in service assemblies have reference numbers in the form a:b. The a represents the reference number of the entire service assembly and the b represents a sequential number unique to each part within the service assembly.

For example, a wheel assembly might be identified by reference number 6, the tire by 6:1, the valve by 6:2, and the wheel by 6:3. When you order the assembly identified by reference number 6, you receive all parts identified by reference numbers 6:1, 6:2, and 6:3. However, you may also order any part individually. Reference numbers of this type appear in illustration and in parts lists.

Reference Numbers Indicating Quantity

In an illustration, if a reference number indicates more than one part, the reference number has the form nX y. The n represents the quantity of the part, the X is the multiplication symbol, and the y represents the reference number.

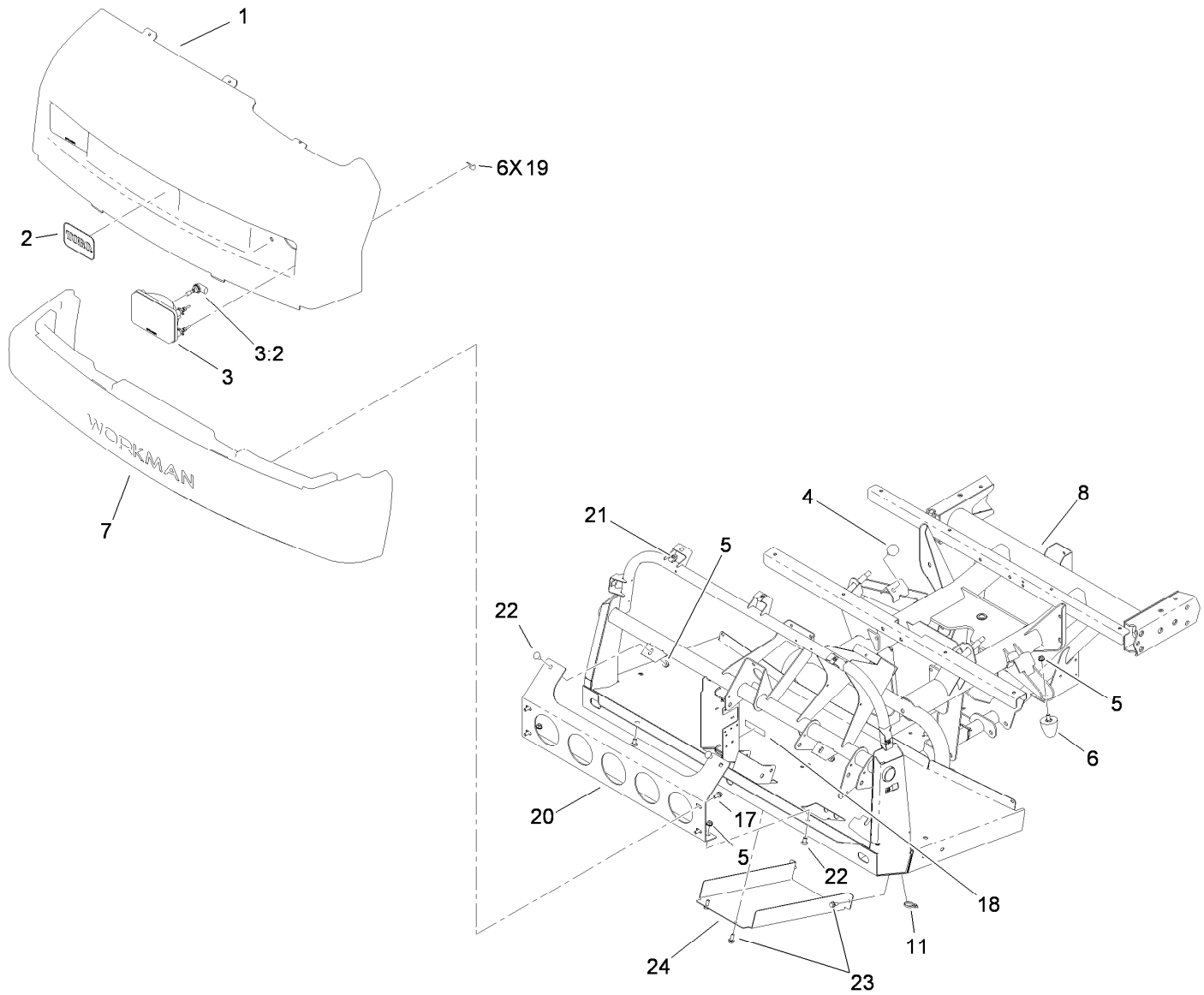
For example, in an illustration, the reference number 2X 37 means that two of the parts identified by reference number 37 are indicated.

Contents

Hood and Bumper Assembly	5
Dash Assembly	6
Pedal Assembly	7
Master Cylinder Assembly No. 104-6782	8
Hydraulic Brake Line Assembly	9
Clutch Linkage Assembly	10
Shroud and Seat Assembly	11
Console Assembly	13
Shift Assembly No. 106-7887	14
Steering Hydraulic Assembly	15
Steering Valve Assembly No. 115-7926	16
Lift Valve and Hydraulics Assembly	17
Control Valve Assembly No. 43-1950	19
Hydraulic Cylinder Assembly No. 106-7939	20
Front Wheel Assembly	21
Hydraulic Cylinder Assembly No. 112-3217	22
Steering Linkage Assembly	23
Front Suspension Assembly	24
Front Control Arm Assembly	25
Rear Frame Assembly	26
Rear Axle Assembly	27
Driveshaft Assembly No. 114-8367	28
Transaxle Assembly	29
Case Assembly Transaxle Assembly No. 115-7783	30
Center Plate Assembly Transaxle Assembly No. 115-7783	31
Main Shaft Assembly Transaxle Assembly No. 115-7783	32
Reduction Shaft Assembly Transaxle Assembly No. 115-7783	33
Reverse Shaft Assembly Transaxle Assembly No. 115-7783	34
Main Shift Assembly Transaxle Assembly No. 115-7783	35
Hi-Lo Shift Assembly Transaxle Assembly No. 115-7783	36
Countershaft Assembly Transaxle Assembly No. 115-7783	37
Differential Gear Assembly Transaxle Assembly No. 115-7783	38
Differential Carrier Assembly Transaxle Assembly No. 115-7783	39
Differential Lock Assembly Transaxle Assembly No. 115-7783	40
Axle Shaft Assembly Transaxle Assembly No. 115-7783	41
Battery Assembly	42
Tail Light and Fender Assembly	43
Roll-Over Protection System Assembly	44
Relay Assembly	45
Fuel System Assembly	46
Engine Assembly	47
Muffler Assembly	49
Engine Support Assembly	50
Hydraulic Gear Pump Assembly No. 112-2983	51
Full Bed and Side Panel Assembly	52
Crankshaft Assembly Kohler CH680-3025A	53
Crankcase Assembly Kohler CH680-3025A	54
Oil Pan and Lubrication Assembly Kohler CH680-3025A	55
Head, Valve and Breather Assembly Kohler CH680-3025A	56
Ignition and Electrical Assembly Kohler CH680-3025A	58
Blower Housing Assembly Kohler CH680-3025A	60
Starter Assembly Kohler CH680-3025A	61
Fuel System Assembly Kohler CH680-3025A	62
Engine Control Assembly Kohler CH680-3025A	63

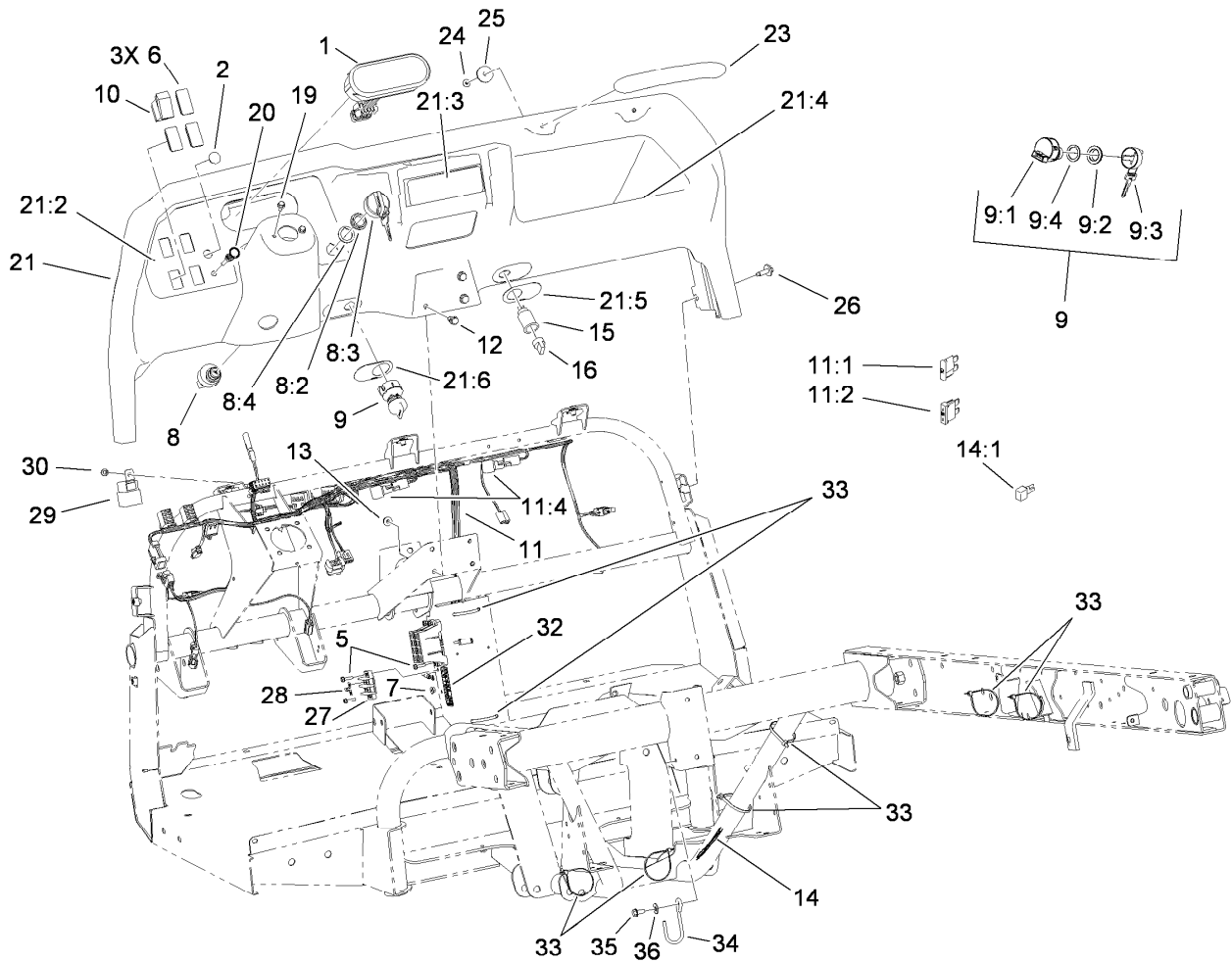
Contents (continued)

Air Intake and Filtration Assembly Kohler CH680-3025A 64
Exhaust Assembly Kohler CH680-3025A 65
Decals Kohler CH680-3025A 66
Attachments and Accessories 67



Hood and Bumper Assembly

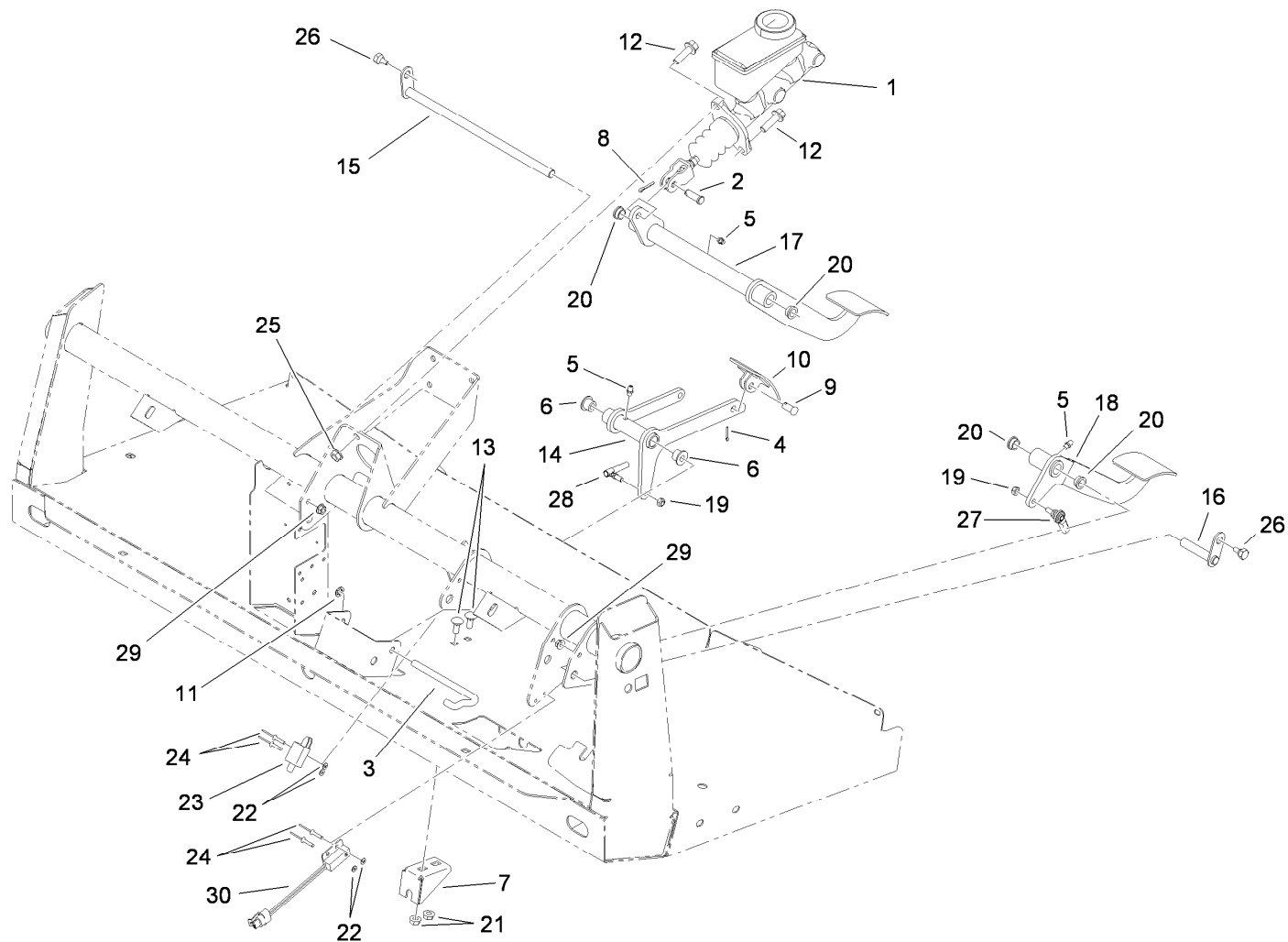
<i>Ref.</i>	<i>Part Number</i>	<i>Qty.</i>	<i>Description</i>	<i>Ref.</i>	<i>Part Number</i>	<i>Qty.</i>	<i>Description</i>
1	112-3183	1	Hood	11	3290-379	1	Tie-Cable
2	117-4950	1	Decal	17	3234-5	4	Screw-HHF
3	114-8322	2	Headlight ASM	18	117-2718	1	Decal-Arrester, Spark
3:2	115-2395	1	Bulb-Light	19	114-8341	6	Clip
4	87-2440	2	Bumper-Rubber	20	114-8272-03	1	Bracket-Bumper
5	3290-357	6	Nut-HHF, Whiz	21	94-2413	7	Nut-U
6	26-0071	2	Snubber-Rubber	22	3231-21	4	Screw-CARR
7	112-3185	1	Bumper	23	32144-11	4	Screw-HWHTF
8	114-8270-03	1	Operator Frame ASM	24	106-2427-03	1	Cover



Dash Assembly

Ref.	Part Number	Qty.	Description	Ref.	Part Number	Qty.	Description
1	114-8300	1	Cluster-Instrument	15	99-7411	1	Point-Power
2	94-5627	1	Plug	16	99-7416	1	Cap
5	32105-13	6	Screw-HWH	19	33103-012	2	Screw-HHF
6	99-7420	3	Plug-Hole	20	106-7943	1	Cable-Control, Choke
7	3290-148	6	Nut-HF	21	115-7912	1	Dash ASM
8	106-5269	1	Ignition Switch ASM	21:2	115-2281	1	Decal-Dash
8:2	108-8660	1	Nut-Mounting	21:3	115-7746	1	Decal-Danger
8:3	106-5270	1	Ignition Key Set	21:4	115-2282	1	Decal-Warning, Dash
8:4	108-8659	1	Washer-Backup	21:5	106-2353	1	Decal-Powerpoint
9	110-2580	1	Switch-Key, Supervisor	21:6	106-2355	1	Decal-Switch, Supervisor
9:1		1	Switch-Key ●	23	117-4948	1	Handle-Grab
9:2	108-8660	1	Nut-Mounting	24	104-7201	2	Nut-HF
9:3	110-5221	1	Set-Key, Supervisor	25	103995	2	Washer
9:4	108-8659	1	Washer-Backup	26	114-8418	7	Screw-HWH, Sems
10	95-8999	1	Switch	27	42862	1	Block-Terminal, Ground
11	117-4998	1	Harness-Wire, Front	28	42863	1	Strip-Jumper
11:1	218-578	5	Fuse-Blade, 10 Amp	29	99-7430	1	Relay
11:2	109355	2	Fuse-Blade, 15 Amp	30	32144-10	1	Screw-HWH
11:4	100-4918	2	Diode	32	115-7813	1	Decal-Fuse
12	3234-5	3	Screw-HHF	33	3290-379	8	Tie-Cable
13	104-8300	3	Nut-HF, NI	34	117-4860	1	Guide-Cable
14	114-8380	1	Harness-Wire, Rear	35	32144-11	1	Screw-HWHTF
14:1	100-4918	1	Diode	36	3256-71	1	Washer-Flat

● Not serviced separately



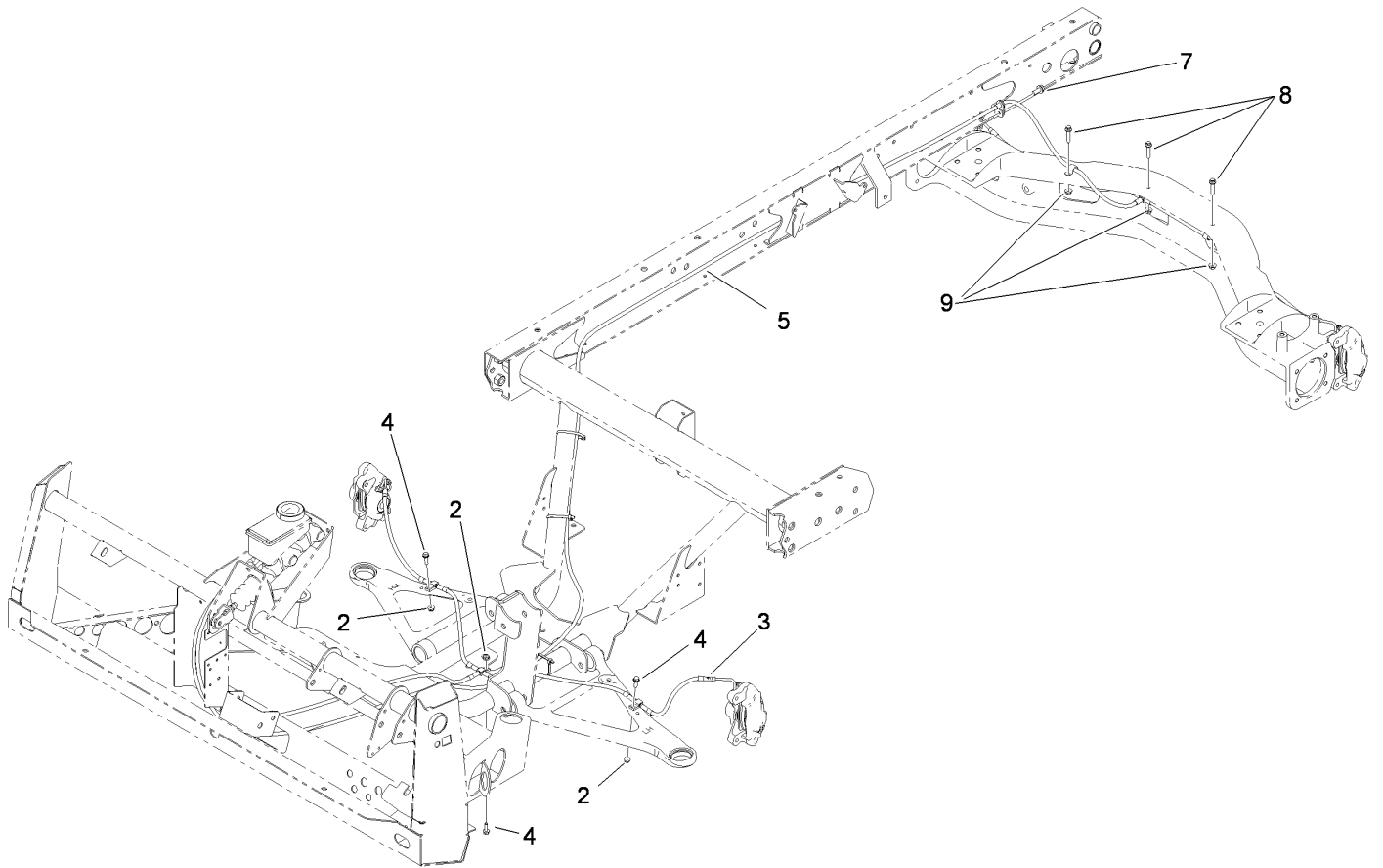
Pedal Assembly

Ref.	Part Number	Qty.	Description	Ref.	Part Number	Qty.	Description
1	104-6782	1	Master Cylinder ASM	16	115-2269	1	Pin-Pivot
2	283-2	1	Pin-Clevis	17	115-2275-03	1	Pedal-Brake
3	87-2880	1	Shaft-Pedal, Accelerator	18	115-2271-03	1	Pedal-Clutch
4	3272-6	1	Pin-Cotter	19	3296-13	2	Nut-Lock, NI
5	302-5	3	Fitting-Grease	20	256-156	4	Bushing-Flange
6	256-259	2	Bushing-Flange	21	32128-20	2	Nut-HF
7	106-2421	1	Bracket-Mount, Cable	22	3256-21	4	Washer-Flat
8	3272-10	1	Pin-Cotter	23	95-1653	1	Switch-Pole, Single
9	283-85	1	Pin-Clevis	24	3269-25	4	Rivet-Pop
10	93-8969-03	1	Pedal	25	3290-357	2	Nut-HHF, Whiz
11	32151-56	1	Ring-Retaining, External	26	63-3410	2	Screw-Shoulder
12	3234-11	2	Screw-HHF	27	110-2554	1	Rod End-Spherical
13	3230-1	2	Bolt-CARR	28	18-1720	1	Ball Joint
14	106-2471-03	1	Arm-Pedal, Accelerator	29	32128-33	2	Nut-HF
15	106-2475	1	Shaft-Brake	30	105-0023	1	Switch-Proximity



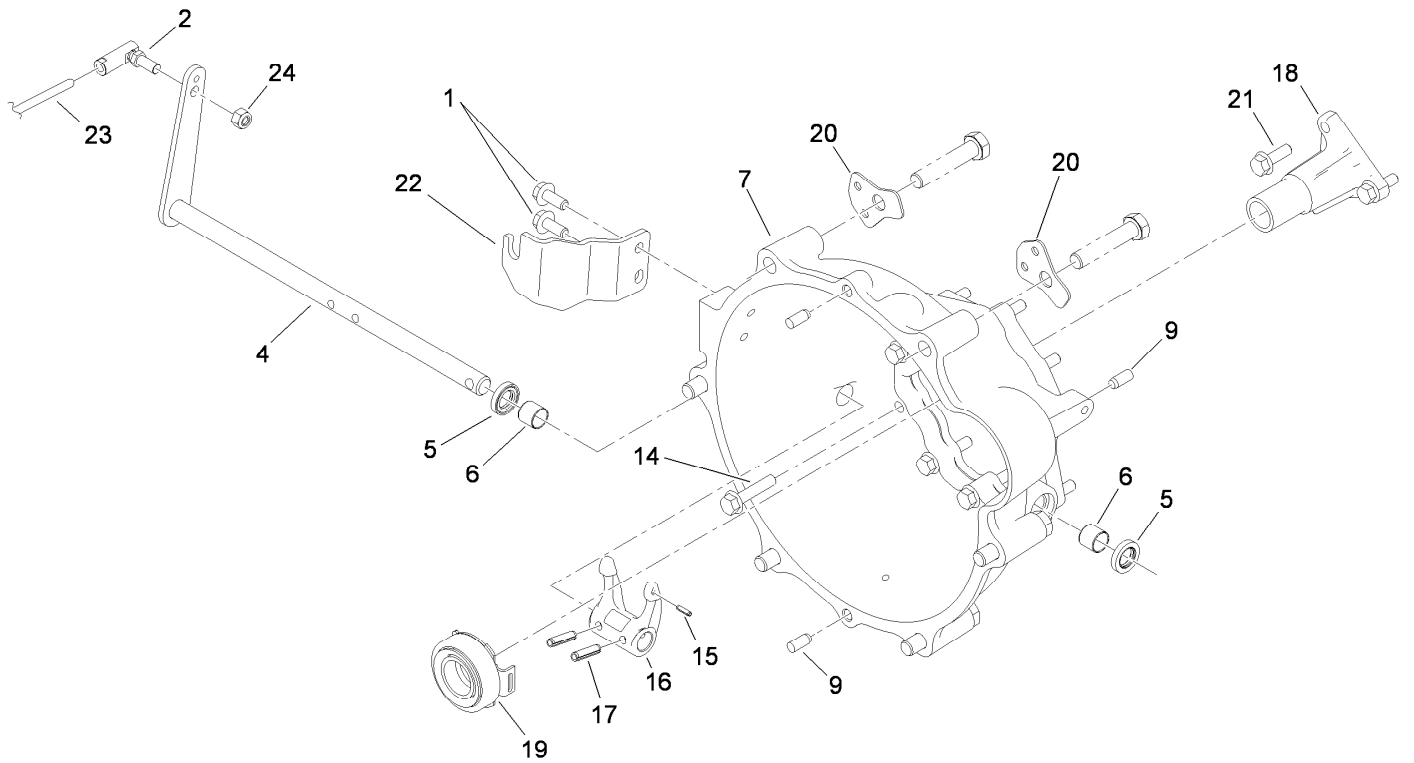
Master Cylinder Assembly No. 104-6782

Ref.	Part Number	Qty.	Description
1	104-6845	1	Reservoir ASM
1:1	92-4112	1	Cap ASM
2	93-8971	2	Seal-Port, Flange
3	92-4103	1	Pin-Stop
4	92-4102	1	Secondary Piston ASM
5	92-4110	1	Clevis
6	21-0360	1	Nut-Hex
7	94-5209	1	Cover-Dust
8	94-5210	1	Rod-Push
9	92-4109	1	Ring-Snap
10	92-4108	1	Retainer-Washer
11	92-4101	1	Primary Piston ASM



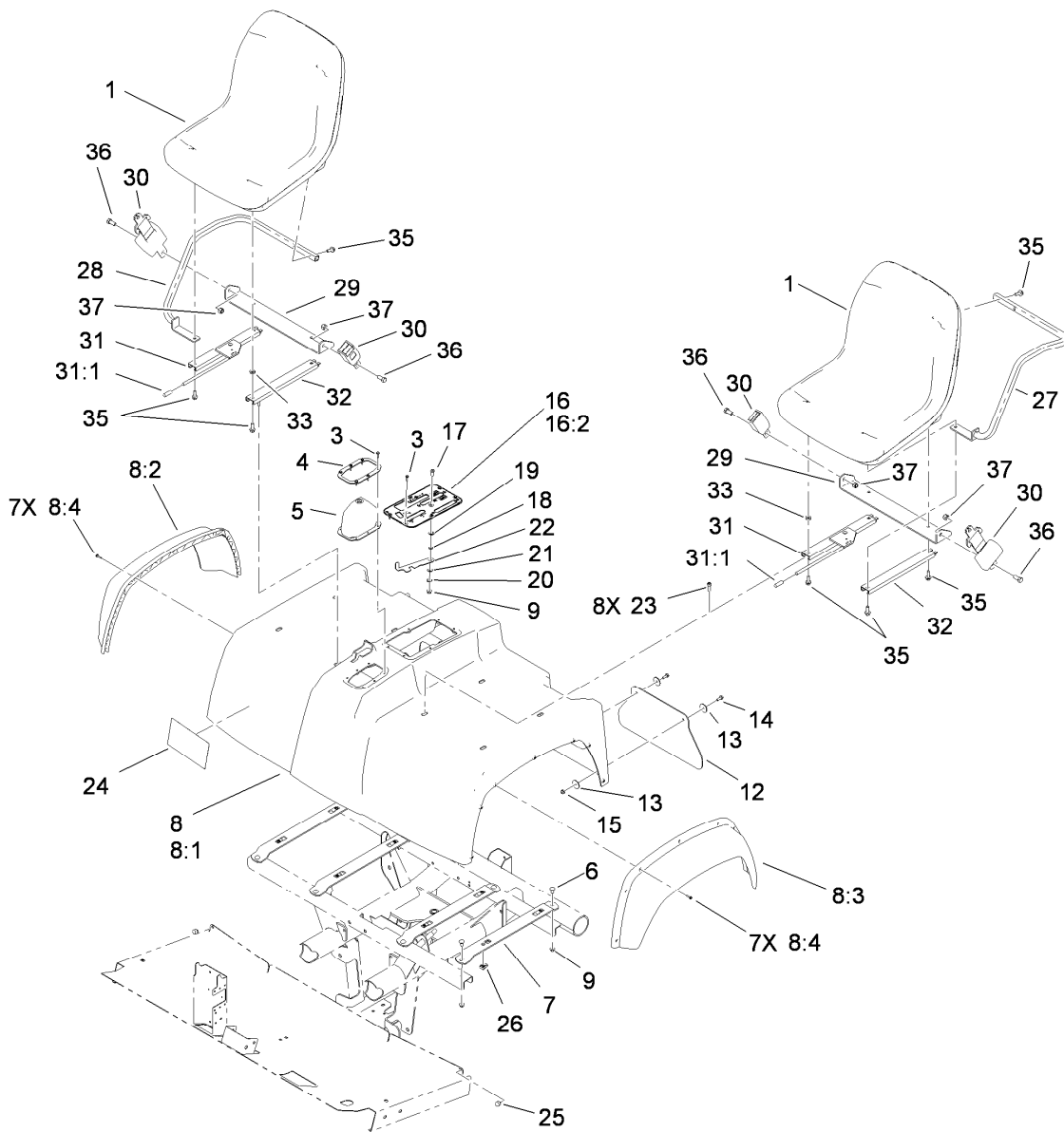
Hydraulic Brake Line Assembly

<i>Ref.</i>	<i>Part Number</i>	<i>Qty.</i>	<i>Description</i>
2	104-7201	3	Nut-HF
3	115-2263	1	Line-Brake, Front
4	321-6	3	Screw-HH
5	115-2264	1	Line-Brake, Rear
7	32144-11	1	Screw-HWHTF
8	3234-21	3	Screw-HHF
9	32128-33	3	Nut-HF



Clutch Linkage Assembly

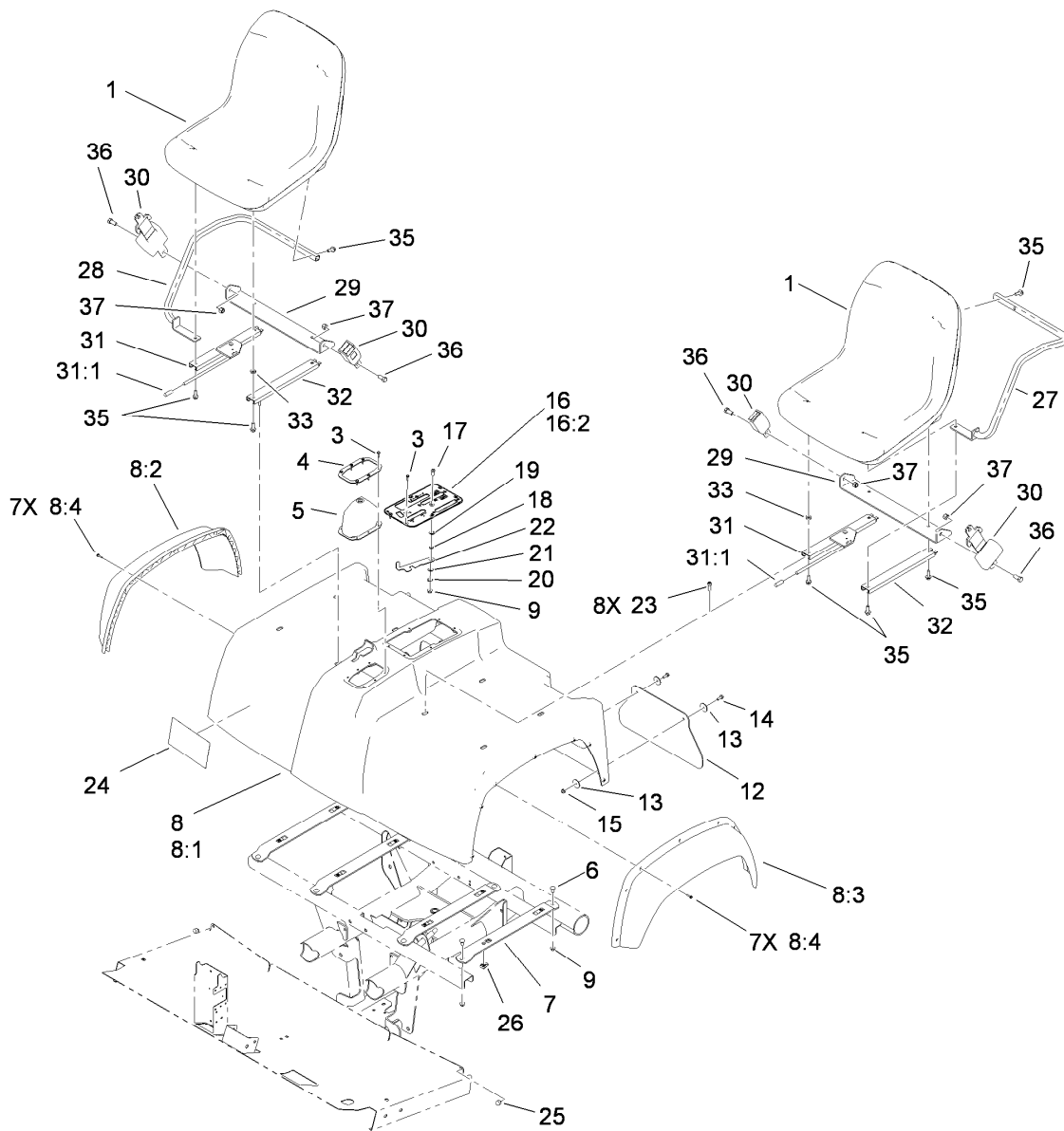
<i>Ref.</i>	<i>Part Number</i>	<i>Qty.</i>	<i>Description</i>	<i>Ref.</i>	<i>Part Number</i>	<i>Qty.</i>	<i>Description</i>
1	98-7977	2	Screw-HHF	16	87-5300	1	Fork-Clutch
2	2411-33	1	Balljoint-RH (W/Grommet)	17	32121-24	2	Pin-Spring
4	115-2311	1	Lever-Clutch	18	115-2259	1	Guide-Release
5	87-1920	2	Seal-Oil	19	110-2538	1	Bearing-Release, Clutch
6	87-3770	2	Bushing-Housing, Bell	20	115-2247	2	Bracket-Harness
7	104-9249	1	Housing-Bell	21	33104-025	3	Screw-HHF
9	87-1910	4	Pin-Dowel	22	115-2313	1	Bracket-Cable, Clutch
14	33104-040	9	Screw-HHF	23	115-2284	1	Cable-Clutch
15	32121-7	1	Pin-Roll, Slotted	24	3296-4	1	Nut-Lock



Shroud and Seat Assembly

Ref.	Part Number	Qty.	Description	Ref.	Part Number	Qty.	Description
1	112-2923	2	Seat ASM	17	3274-55	1	Screw-HSBH
3	98-1375	12	Screw-HWH	18	82-4240	1	Spacer-Bearing
4	87-3760-03	1	Plate-Boot, Shift	19	94-8196	1	Washer-Nylon
5	87-8620	1	Boot-Shift	20	3290-221	1	Washer-Spring
6	3230-1	8	Bolt-CARR	21	3256-23	1	Washer-Plain
7	115-2435-03	4	Bracket-Seat	22	106-7984	1	Lever-Detent
8		1	Seat Base ASM ●	23	3274-22	8	Screw-HSH
8:1	114-8406	1	Base-Seat	24	115-7814	1	Decal-Reference, Quick
8:2	114-8407	1	Fender-Front, RH	25	107-8042	2	Bumper-Rubber
8:3	114-8408	1	Fender-Front, LH	26	115-7721	8	Nut-Clip, U
8:4	117-5036	14	Screw-HWH	27	119-0731-03	1	Armrest-LH
9	104-8300	9	Nut-HF, NI	28	119-0732-03	1	Armrest-RH
12	106-2378	2	Mudflap	29	119-0727-03	2	Bracket-Belt, Seat
13	3256-55	8	Washer-Flat	30	110-0413	2	Seatbelt-Retractable
14	3234-4	4	Screw-HHF	31	119-0654	2	Adjuster-Seat, Locking
15	104-7201	4	Nut-HF	31:1	2410-49	1	Cap-Vinyl
16	106-7886	1	Control Plate ASM	32	119-0655	2	Adjuster-Seat, Non Locking
16:2	106-2377	1	Decal-Console	33	104-7658	2	Spacer

● Not serviced separately

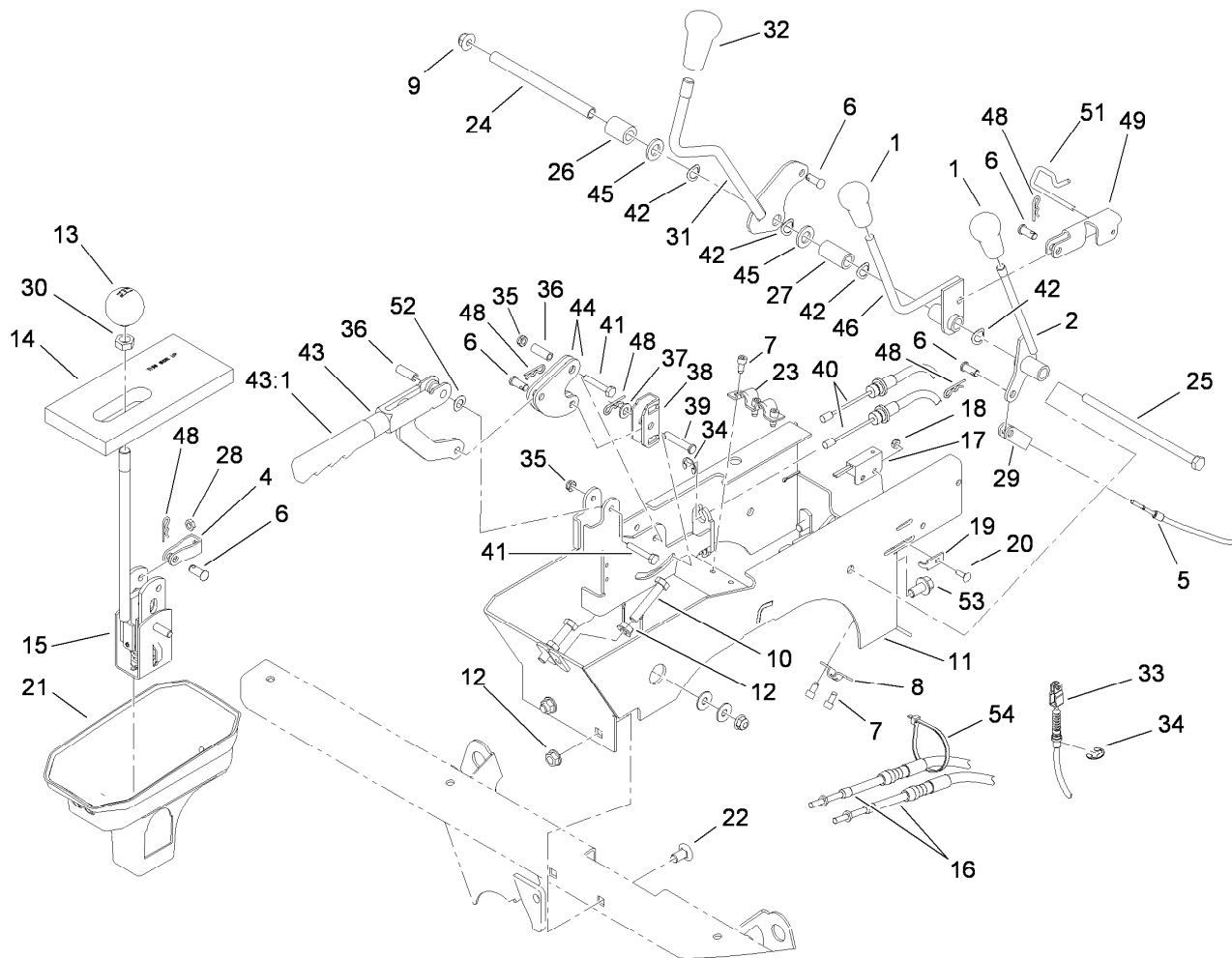


Shroud and Seat Assembly (continued)

Ref.	Part Number	Qty.	Description
35	3234-29	12	Screw-HHF

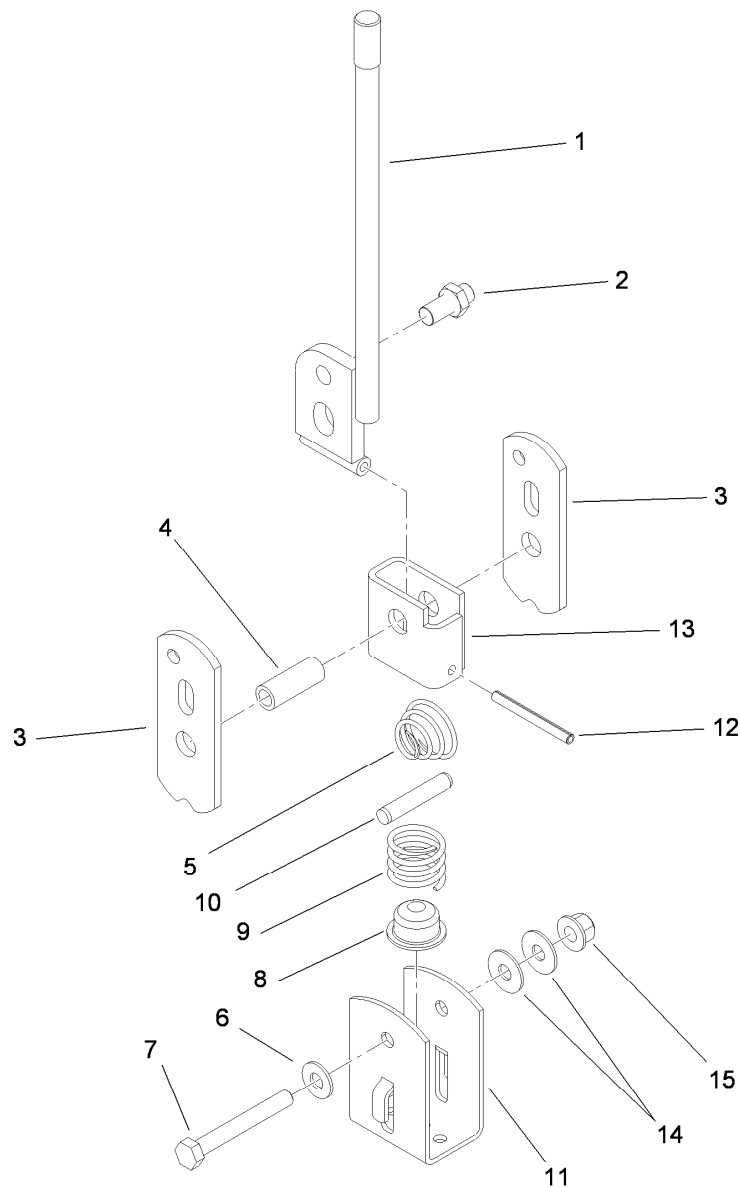
Ref.	Part Number	Qty.	Description
36	3212-4	4	Screw-HH
37	3296-7	4	Nut-Lock

● Not serviced separately



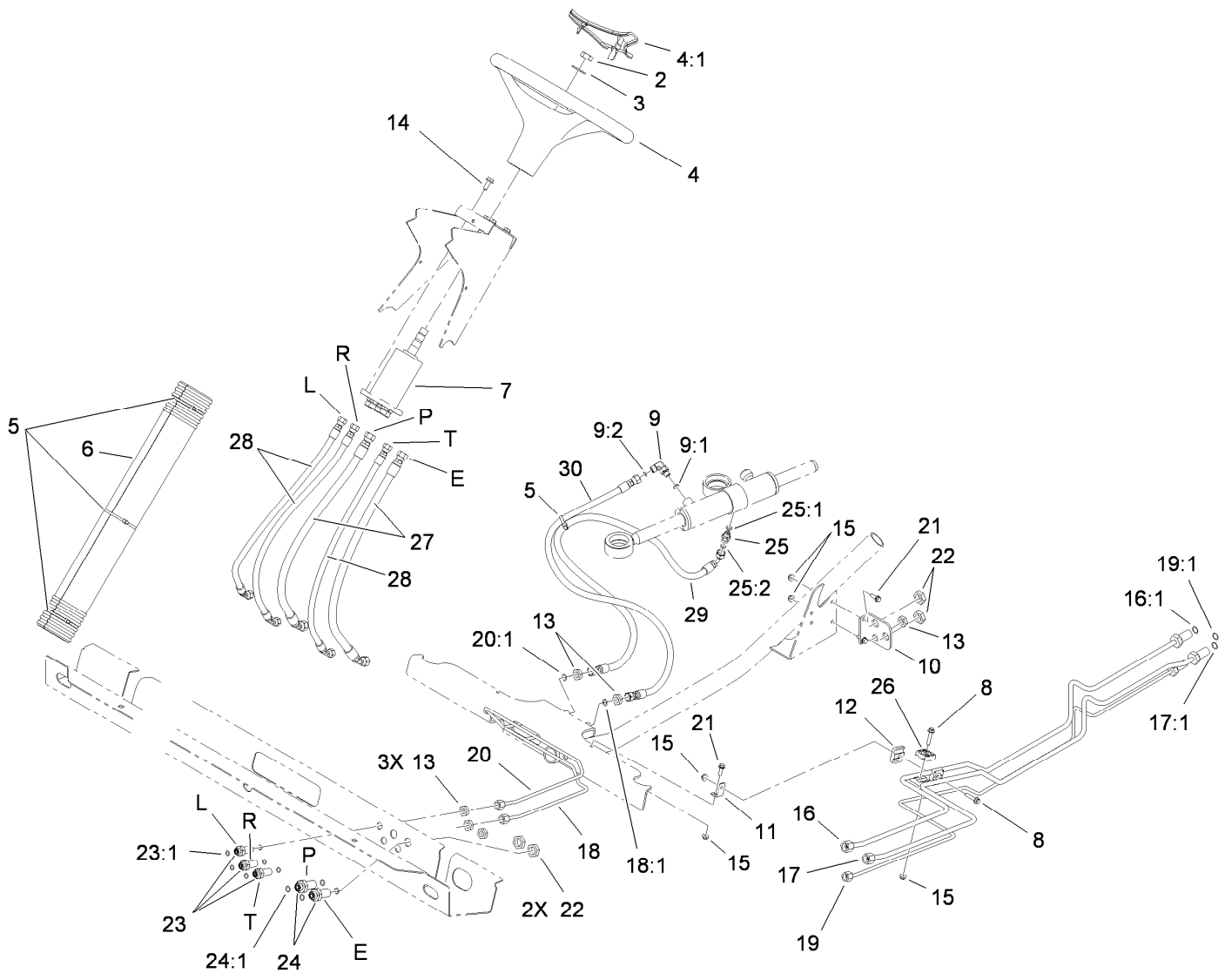
Console Assembly

Ref.	Part Number	Qty.	Description	Ref.	Part Number	Qty.	Description
1	106-7903	2	Knob-Control	28	3220-1	2	Nut-Jam
2	106-7828	1	Lever	29	87-7160	1	Clevis-Cable
4	87-2310	2	Clevis-Cable	30	3218-18	1	Nut-Jam
5	115-7812	1	Cable-Hi Low	31	112-3008	1	Lever-Lock, Differential
6	283-62	6	Pin-Clevis	32	106-7952	1	Knob
7	65-5220	5	Screw-HSH, Thread Forming	33	115-2287	1	Cable-Lock, Differential
8	87-4340	1	Clamp-Cable	34	32120-47	3	Ring-Retaining, External
9	104-8301	1	Nut-HF, NI	35	3296-56	2	Nut-Lock, NI
10	323-10	2	Screw-HH	36	114402	2	Spacer
11	108-6914-03	1	Support-Lever	37	3256-23	1	Washer-Plain
12	3290-357	4	Nut-HHF, Whiz	38	87-3480	1	Bracket-Equalizer, Cable
13	87-6720	1	Knob-Shift	39	94-3829	1	Pin-Clevis
14	87-6570	1	Seal-Boot, Lower	40	115-2283	2	Cable-Brake, Park
15	106-7887	1	Shift ASM	41	321-9	2	Screw-HH
16	115-7811	2	Cable-Selector, Gear	42	3290-221	4	Washer-Spring
17	100-1270	1	Switch-Proximity	43	104-6842	1	Lever-Brake, Park
18	3296-12	1	Nut-Lock, NI	43:1	106-7972	1	Grip-Handle
19	100-4872	1	Plate-Switch, Neutral	44	106-7814	2	Bellcrank
20	3229-34	1	Screw-CARR	45	33096-00	2	Washer-Flat
21	106-2376	1	Boot-Shift, Lower	46	106-7960	1	Lever-HYD
22	3231-21	2	Screw-CARR	48	3290-307	7	Pin-Cotter
23	87-4960	1	Clamp-Cable	49	115-2250	1	Link
24	106-7833	1	Spacer	51	115-2350	1	Pin-Retainer
25	323-36	1	Screw-HH	52	3290-477	1	Washer-Curved
26	66-6501	1	Spacer-Wheel	53	3234-12	2	Screw-HHF
27	106-7835	1	Spacer	54	3290-379	3	Tie-Cable



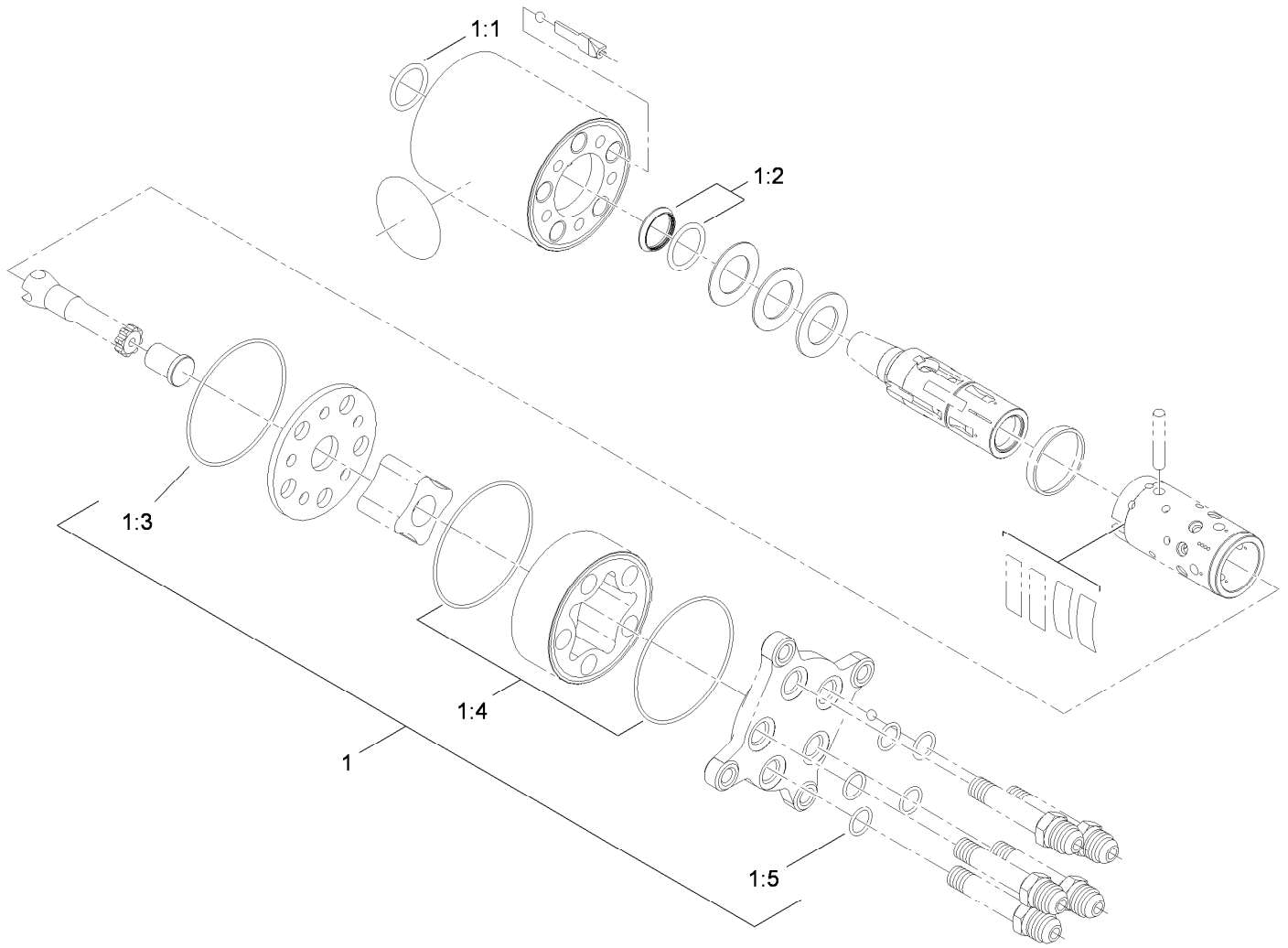
Shift Assembly No. 106-7887

<i>Ref.</i>	<i>Part Number</i>	<i>Qty.</i>	<i>Description</i>
1	87-2040	1	Lever-Shift
2	87-3650	1	Pin-Shift
3	87-3540	2	Link-Shift
4	87-2520	1	Tube-Pivot
5	87-2900	1	Spring-Compression
6	87-8640	1	Washer-Flat
7	322-12	1	Screw-HH
8	87-3530	1	Button-Shifter
9	87-3660	1	Spring-Compression
10	3290-507	1	Pin-Dowel
11	87-3520	1	Clevis
12	32121-48	1	Pin-Spring
13	87-6040	1	Bracket-Shifter
14	3290-456	2	Washer-Belleville
15	104-8300	1	Nut-HF, NI



Steering Hydraulic Assembly

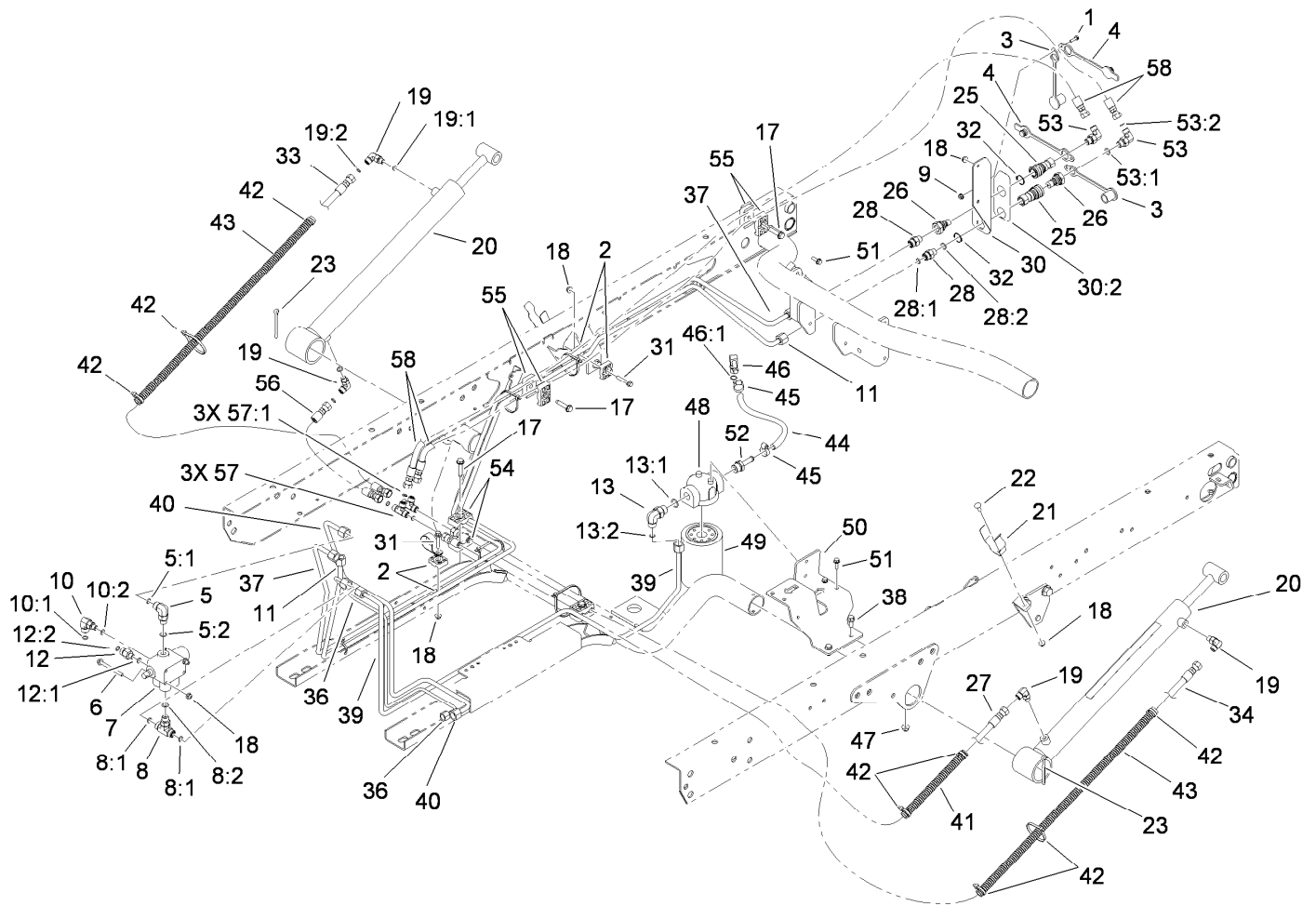
Ref.	Part Number	Qty.	Description	Ref.	Part Number	Qty.	Description
2	3296-33	1	Nut-Lock, NI	18	106-7804	1	Tube-HYD
3	3256-27	1	Washer-Flat	18:1	237-21	1	O-Ring
4	98-1471	1	Wheel-Steering	19	115-7703	1	Tube-HYD
4:1	98-1468	1	Cover-Wheel, Steering	19:1	237-21	1	O-Ring
5	3290-379	4	Tie-Cable	20	106-7806	1	Tube-HYD
6	106-6713	1	Cover-Lines, Steering	20:1	237-21	1	O-Ring
7	115-7926	1	Pump-Steering	21	3234-4	3	Screw-HHF
8	3234-21	2	Screw-HHF	22	340-70	4	Nut-Lock
9	340-132	1	Fitting-90 DEG	23	94-1444	3	Union-Bulkhead
9:1	237-78	1	O-Ring	23:1	237-21	2	O-Ring
9:2	237-21	1	O-Ring	24	340-71	2	Fitting-Straight, Bulkhead
10	106-7801-03	1	Bracket-Line, Steering	24:1	237-22	2	O-Ring
11	106-7807	1	Bracket-Line, Steering	25	340-92	1	Fitting-Straight
12	106-7839	2	Clamp-Tube	25:1	237-78	1	O-Ring
13	340-78	6	Nut-Lock	25:2	237-21	1	O-Ring
14	98-7977	4	Screw-HHF	26	56-7973	2	Clamp-Tube
15	104-7201	5	Nut-HF	27	106-7975	2	Hose-HYD
16	115-7701	1	Tube-HYD	28	106-7974	3	Hose-HYD
16:1	237-22	1	O-Ring	29	117-4861	1	Hose-HYD
17	115-7702	1	Tube-HYD	30	108-6505	1	Hose ASM
17:1	237-22	1	O-Ring				



Steering Valve Assembly No. 115-7926

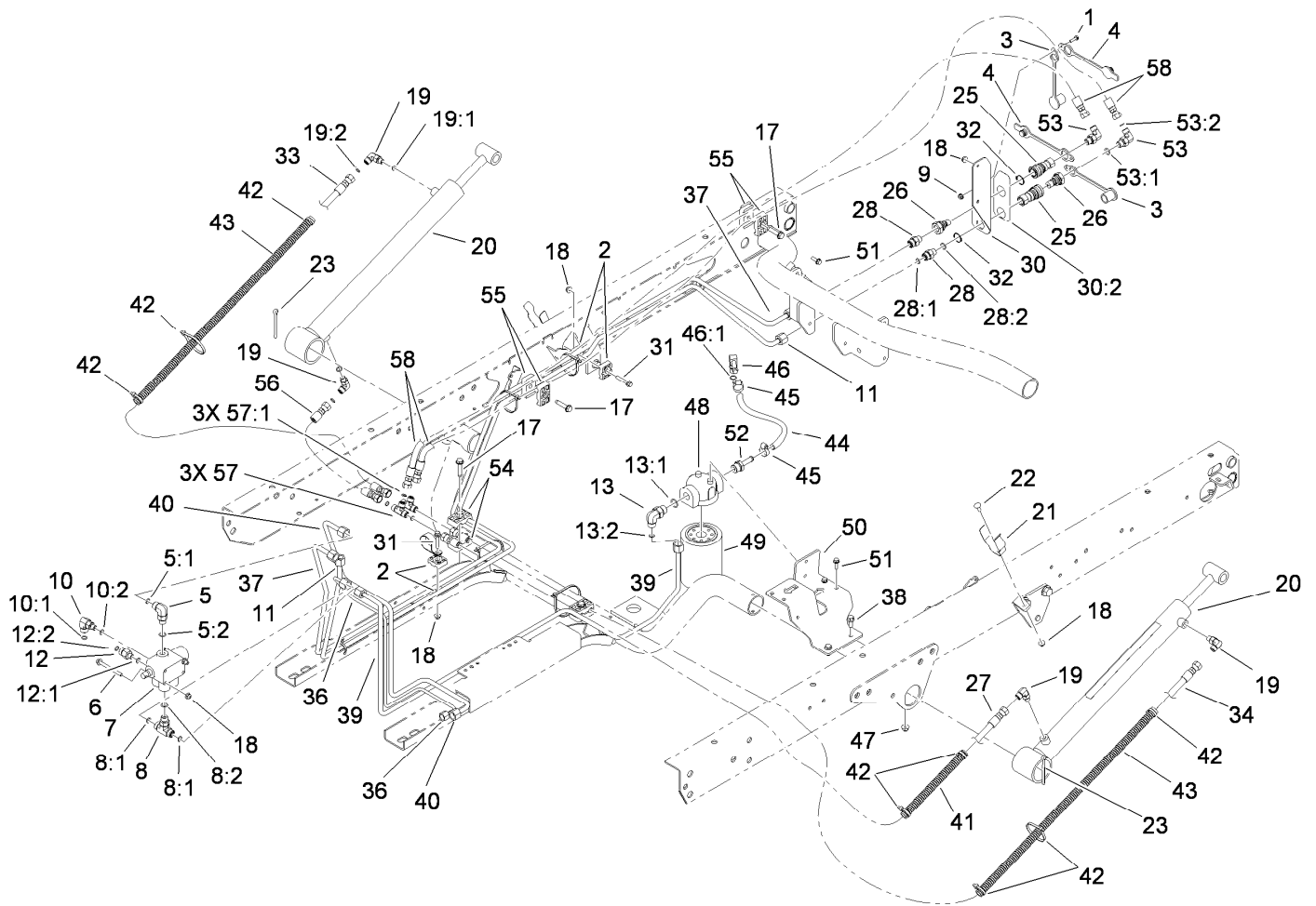
<i>Ref.</i>	<i>Part Number</i>	<i>Qty.</i>	<i>Description</i>
1	106-6716	1	Seal Kit
1:1		1	Ring-Seal, Dust ●
1:2		1	Seal-Shaft ●
1:3		1	Ring-Retaining ●
1:4		2	Ring-Retaining ●
1:5		5	Ring-Retaining ●

● Not serviced separately



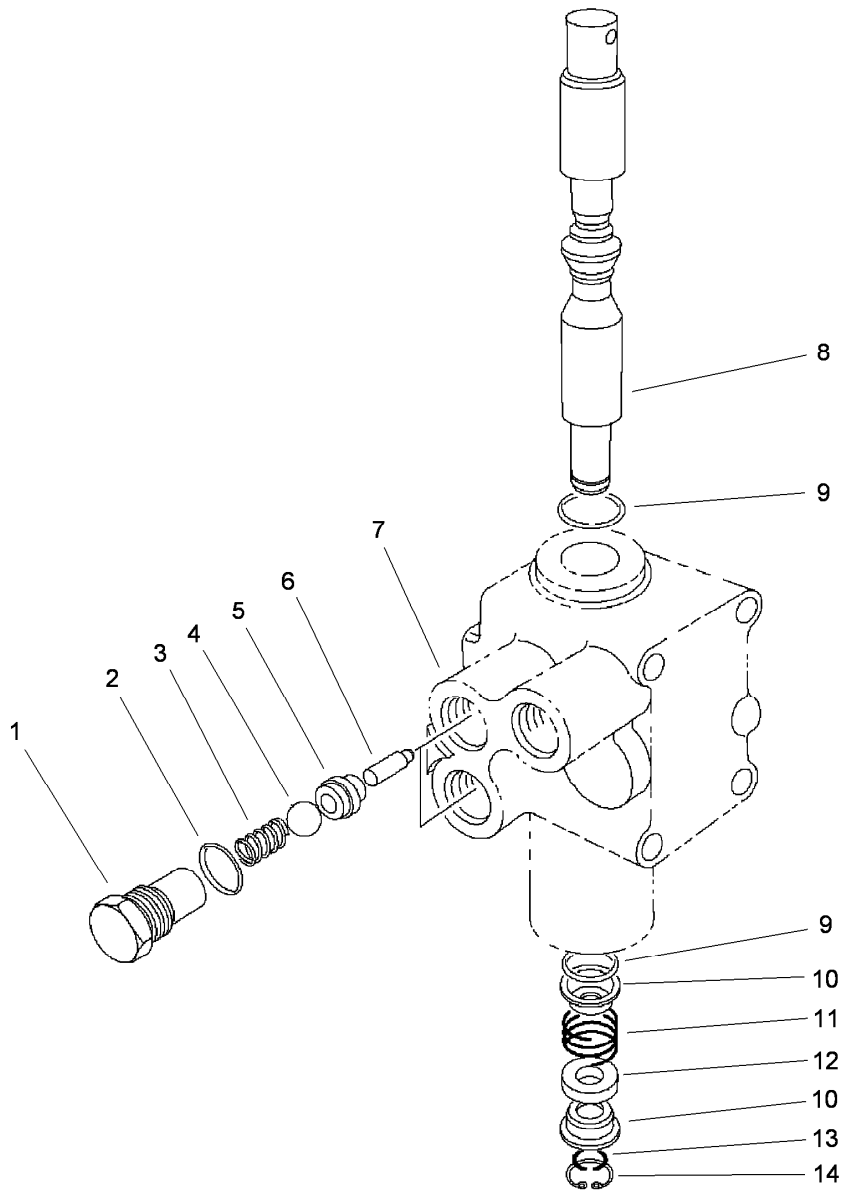
Lift Valve and Hydraulics Assembly

Ref.	Part Number	Qty.	Description	Ref.	Part Number	Qty.	Description
1	32105-13	1	Screw-HWH	13:1	237-79	1	O-Ring
2	56-7973	4	Clamp-Tube	13:2	237-22	1	O-Ring
3	106-7881	2	Cap-Dust, HYD	17	32144-57	4	Screw
4	106-7882	2	Plug-Dust, HYD	18	104-7201	8	Nut-HF
5	340-77	1	Fitting-Elbow-90	19	340-132	4	Fitting-90 DEG
5:1	237-22	1	O-Ring	19:1	237-78	1	O-Ring
5:2	237-42	1	O-Ring	19:2	237-21	1	O-Ring
6	114-8410	2	Screw-HHF	20	106-7939	2	HYD Cylinder ASM
7	43-1950	1	HYD Control Valve ASM	21	108-3109	2	Retainer-Cylinder
8	340-94	1	Adapter	22	3229-1	2	Bolt-CARR
8:1	237-22	2	O-Ring	23	3272-37	2	Pin-Cotter
8:2	237-42	1	O-Ring	25	106-7968	2	Coupler-Quick, Female
9	3290-148	1	Nut-HF	26	106-7969	2	Coupler-Quick, Male
10	340-97	1	Fitting-Elbow 90	27	115-7711	1	HYD Hose ASM
10:1	237-22	1	O-Ring	28	340-2	2	Fitting-Straight
10:2	237-78	1	O-Ring	28:1	237-22	1	O-Ring
11	115-2218	1	Tube-HYD	28:2	237-42	1	O-Ring
12	340-88	1	Fitting-Str	30	115-7715	1	Coupler Bracket ASM
12:1	237-22	1	O-Ring	30:2	115-7723	1	Decal-Disconnect, Quick
12:2	237-78	1	O-Ring	31	94-5781	2	Screw-HHF
13	340-18	1	Fitting-HYD, 90 DEG	32	32151-83	2	Ring-Snap



Lift Valve and Hydraulics Assembly (continued)

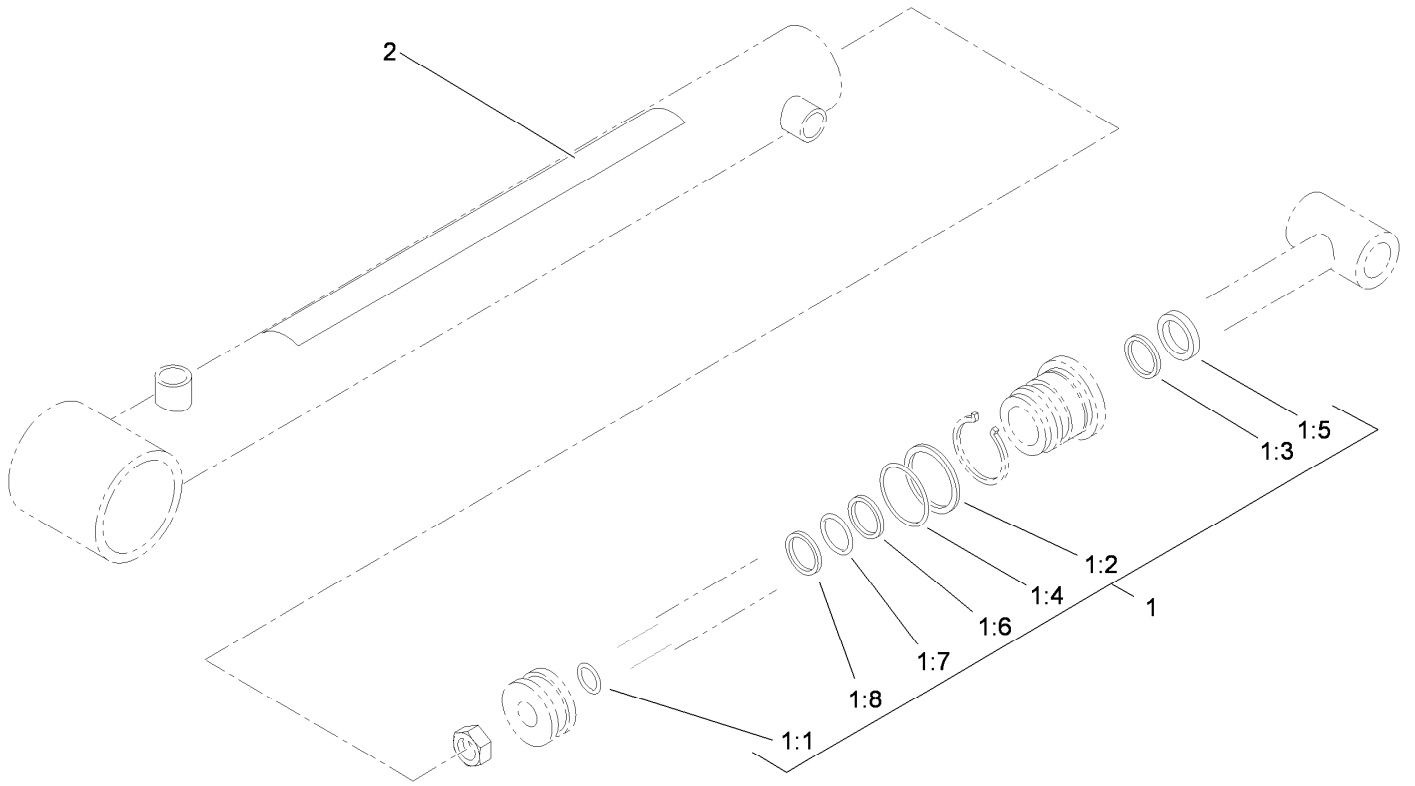
<i>Ref.</i>	<i>Part Number</i>	<i>Qty.</i>	<i>Description</i>	<i>Ref.</i>	<i>Part Number</i>	<i>Qty.</i>	<i>Description</i>
33	108-6508	1	Hose-HYD	48	87-8780	1	Head-Filter
34	104-3716	1	HYD Hose ASM	49	54-0110	1	Filter-Oil, Transmission
36	115-2216	1	Tube-HYD	50	115-2168-03	1	Bracket-Filter
37	115-2217	1	Tube-HYD	51	3234-4	4	Screw-HHF
38	3234-5	2	Screw-HHF	52	115-2231	1	Fitting-Straight
39	115-2224	1	Tube-HYD	53	340-82	2	Fitting-Elbow 90
40	115-2223	1	Tube-HYD	53:1	237-42	1	O-Ring
41	24-7922	1	Conduit-Convolved, Split	53:2	237-21	1	O-Ring
42	3290-379	8	Tie-Cable	54	56-7971	2	Clamp-Tube
43	24-7923	2	Conduit-Convolved, Split	55	56-7976	6	Clamp-Tube
44	115-2228	1	HYD Hose ASM	56	110-0931	1	Hose-HYD
45	2412-36	2	Clamp-Hose	57	340-21	2	Fitting
46	100-4887	1	Fitting-Barbed	57:1	237-21	3	O-Ring
46:1	237-42	1	O-Ring	58	106-3680	2	Hose-HYD
47	104-8300	2	Nut-HF, NI				



Control Valve Assembly No. 43-1950

Ref.	Part Number	Qty.	Description
1	22-8330	2	Plug
2	237-42	2	O-Ring
3	22-8340	2	Spring
4	22-8350	2	Ball
5	22-8370	2	Seat-Valve
6	22-8360	2	Pin
7		1	Body ●
8	22-8420	1	Spool
9	22-8500	2	O-Ring
10	22-8380	2	Retainer
11	22-8410	1	Spring
12	23-3030	1	Spacer
13	22-8480	1	Ring-Snap
14	22-8490	1	Ring-Snap

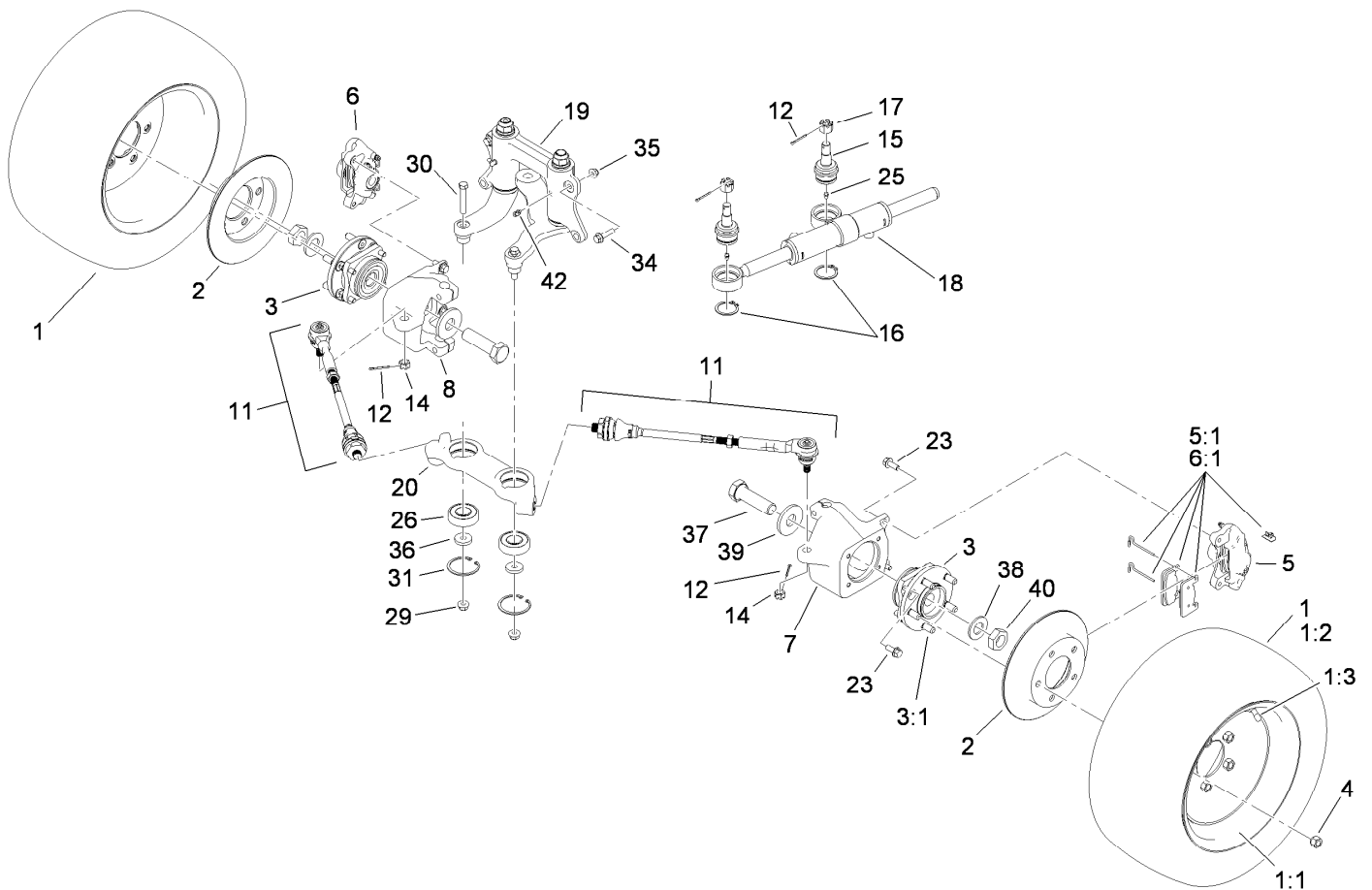
● Not serviced separately



Hydraulic Cylinder Assembly No. 106-7939

<i>Ref.</i>	<i>Part Number</i>	<i>Qty.</i>	<i>Description</i>
1	106-7941	1	Seal Kit
1:1		1	Ring-Retaining ●
1:2		1	Ring-Retaining ●
1:3		1	Seal ●
1:4		1	Back-Up ●
1:5		1	Wiper ●
1:6		1	Seal ●
1:7		1	Ring-Retaining ●
1:8		1	Ring-Wear ●
2	93-9852	1	Decal-Warning

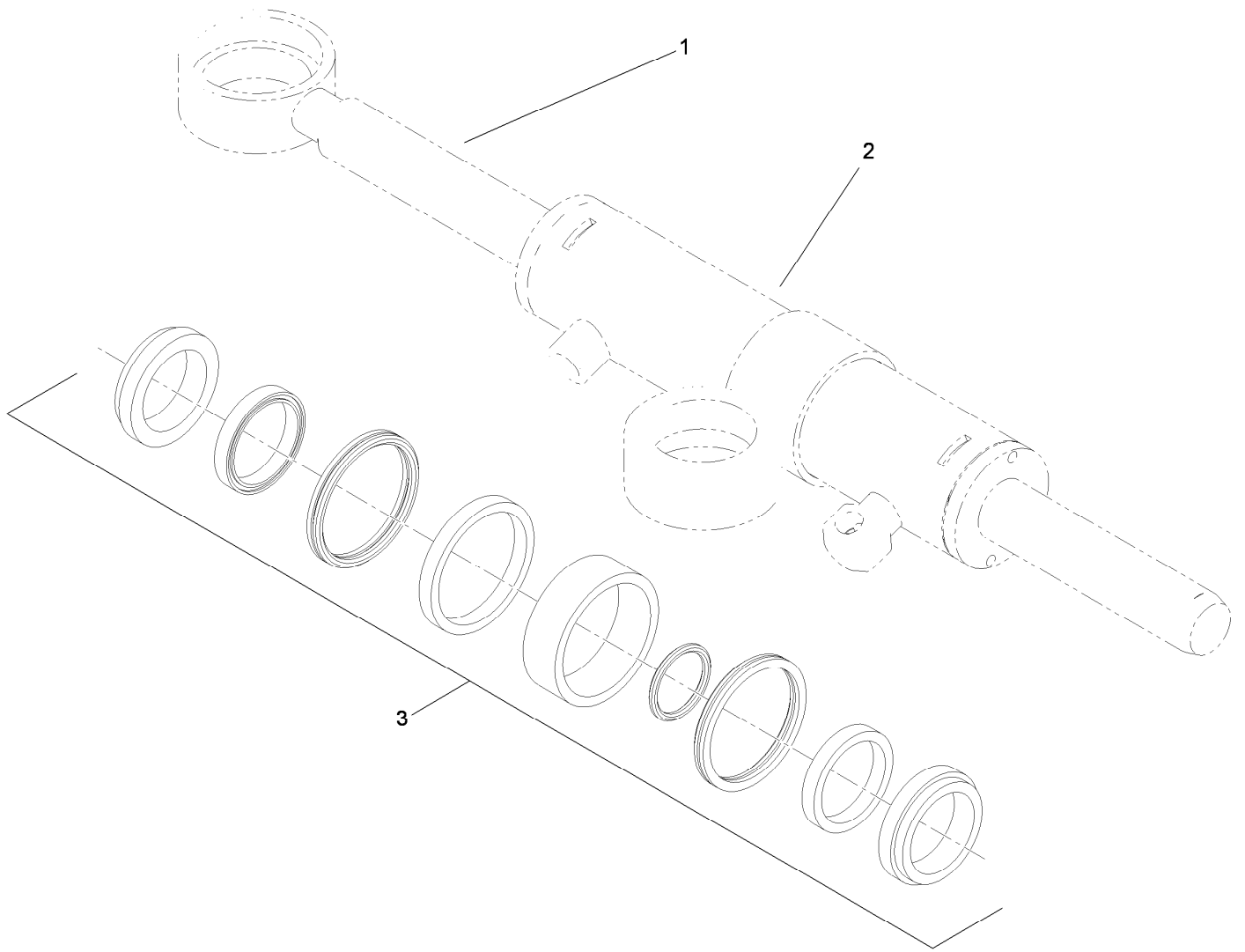
● Not serviced separately



Front Wheel Assembly

Ref.	Part Number	Qty.	Description	Ref.	Part Number	Qty.	Description
1		2	Tire And Wheel ASM ●	17	32136-14	2	Nut-Hst
1:1	115-2245	1	Wheel	18	112-3217	1	HYD Cylinder ASM
1:2	114-8273	1	Tire	19		1	Steering Linkage ASM ●
1:3	232-27	1	Stem-Valve	20	114-8296	1	Link-Center
2	114-8351	2	Rotor-Brake	23	3234-11	12	Screw-HHF
3	112-3214	2	Wheel Hub ASM	25	302-5	2	Fitting-Grease
3:1	114-8299	5	Stud-Wheel	26	115-2161	2	Bearing-Ball
4	242-50	10	Nut-Lug	29	114-8417	2	Nut-HF, NI
5	114-8359	1	Caliper-LH	30	324-10	2	Screw-HH
5:1	115-7846	1	Brake Pad Kit (T108)	31	32120-22	2	Ring-Snap, Internal
6	114-8360	1	Caliper-RH	34	114-4681	2	Screw-HHF
6:1	115-7846	1	Brake Pad Kit (T108)	35	104-8301	2	Nut-HF, NI
7	114-8292	1	Knuckle-LH	36	112843	2	Washer
8	114-8294	1	Knuckle-RH	37	115-2173	2	Screw-HH
11	114-8356	2	Tie Rod ASM	38	3256-62	2	Washer-Flat
12	3272-12	4	Pin-Cotter	39	104-0719	2	Washer-Hardened
14	32136-3	2	Nut-SHH	40	3296-49	2	Nut-Lock, NI
15	106-6774	2	Joint-Ball	42	302-60	2	Fitting-Grease
16	32151-104	2	Ring-Retaining, External				

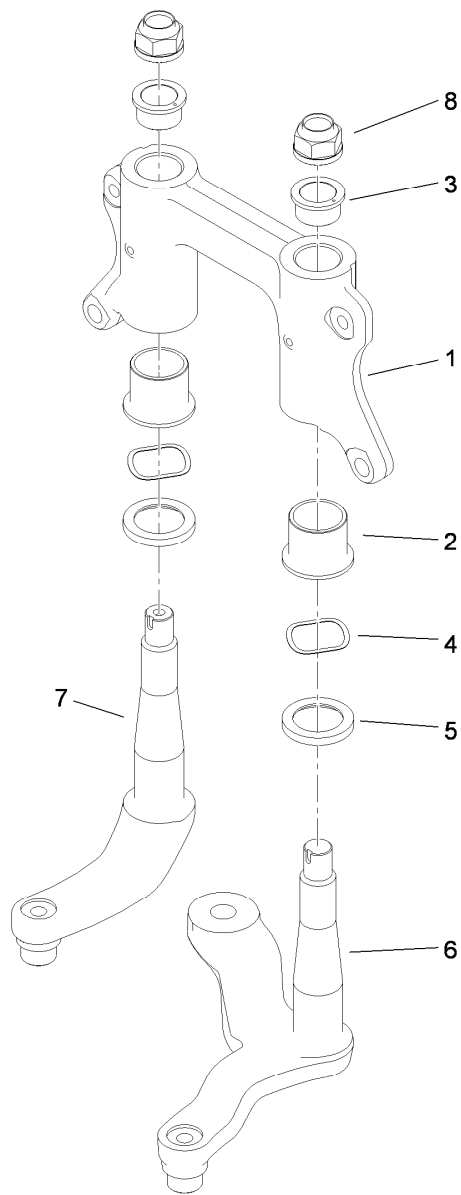
● Not serviced separately



Hydraulic Cylinder Assembly No. 112-3217

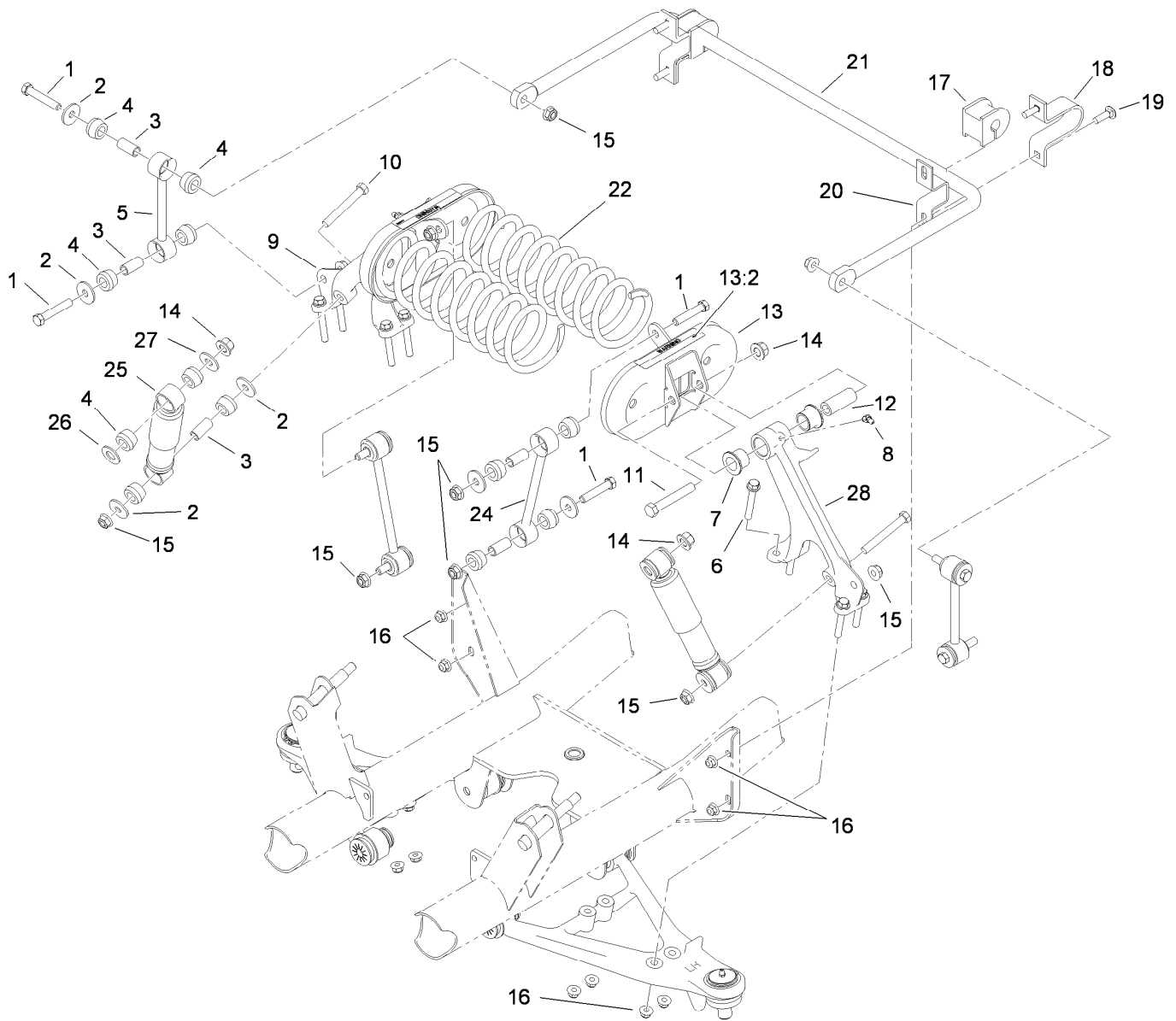
<i>Ref.</i>	<i>Part Number</i>	<i>Qty.</i>	<i>Description</i>
1		1	Rod-Cylinder ●
2		1	Body-Cylinder ●
3	115-2160	1	Cylinder Repair Kit

● Not serviced separately



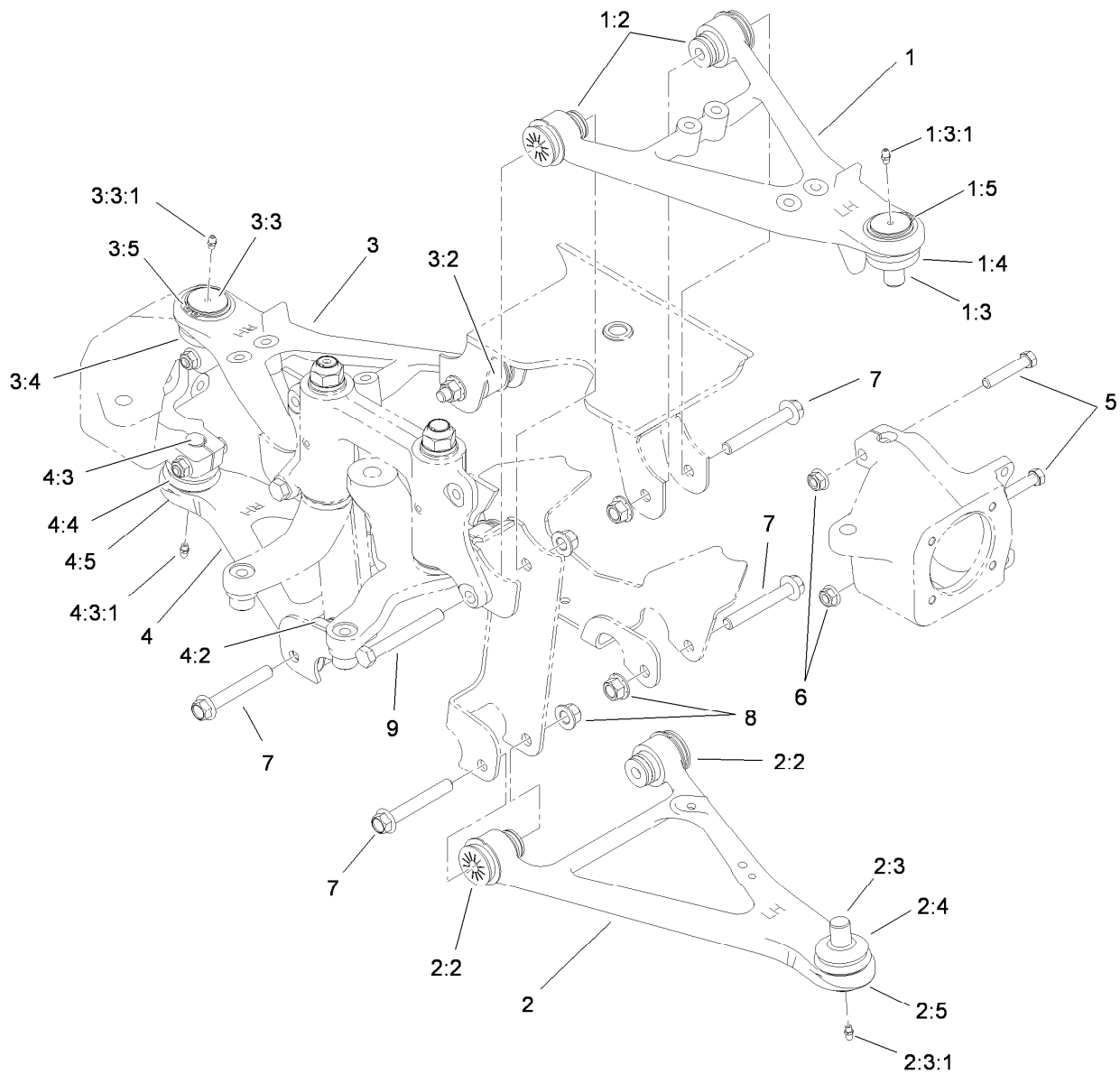
Steering Linkage Assembly

<i>Ref.</i>	<i>Part Number</i>	<i>Qty.</i>	<i>Description</i>
1	114-8389	1	Mount-Pivot
2	69-6470	2	Bushing-Castor
3	112-1626	2	Bushing-Flange
4	93-4632	2	Washer-Wavey
5	86-6560	2	Washer-Thrust
6	114-8256	1	Arm-Pitman
7	114-8298	1	Arm-Idler
8	115-2164	2	Nut-Spindle



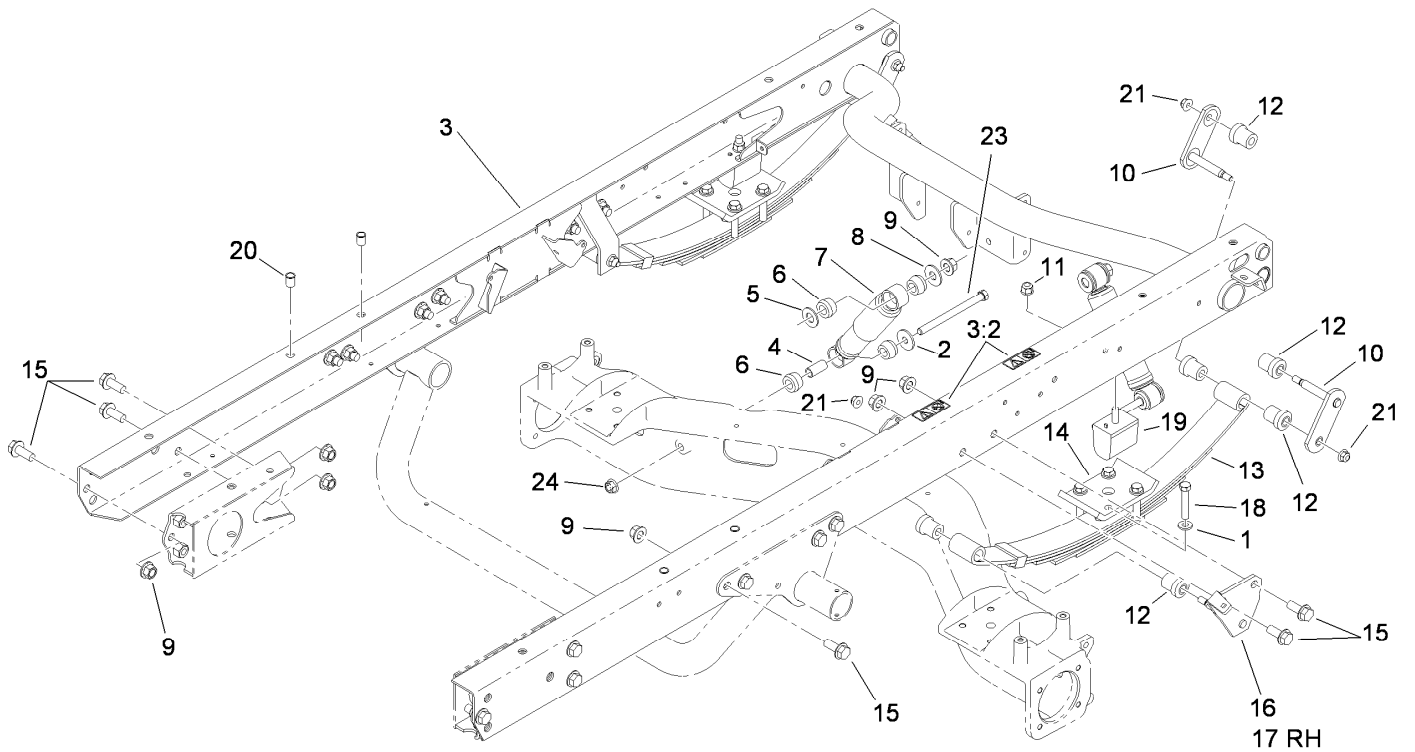
Front Suspension Assembly

Ref.	Part Number	Qty.	Description	Ref.	Part Number	Qty.	Description
1	324-10	8	Screw-HH	14	99-5107	4	Nut-Lock
2	87-5330	12	Washer	15	114-8417	10	Nut-HF, NI
3	87-3600	10	Spacer-Absorber, Shock	16	104-8301	12	Nut-HF, NI
4	87-3920	24	Bushing	17	87-3910	2	Bushing-Rubber
5	87-3860-03	2	Link-Sway Bar, Anti	18	87-4010-03	2	Clamp-Bar, Sway
6	3234-39	8	Screw-HHF	19	3231-25	4	Bolt-CARR
7	33-3090	4	Bushing	20	87-3890-03	2	Bracket-Bar, Sway
8	302-11	2	Fitting-Lube, 45 DEG	21	87-3850-03	1	Bar-Sway, Anti
9	87-0150-03	1	Tower-Control Arm, RH	22	105-4183-01	2	Spring-Compression
10	324-13	2	Screw-HH	24	106-2302-03	2	Link-Stabilizer
11	325-13	2	Screw-HH	25	87-3110	2	Absorber-Shock
12	87-2500	2	Sleeve-Spring, Pivot	26	3256-27	2	Washer-Flat
13	105-7958	2	Spring Cradle ASM	27	3256-6	2	Washer-Flat
13:2	93-9879	1	Decal-Warning	28	87-0160-03	1	Tower-Control Arm, LH



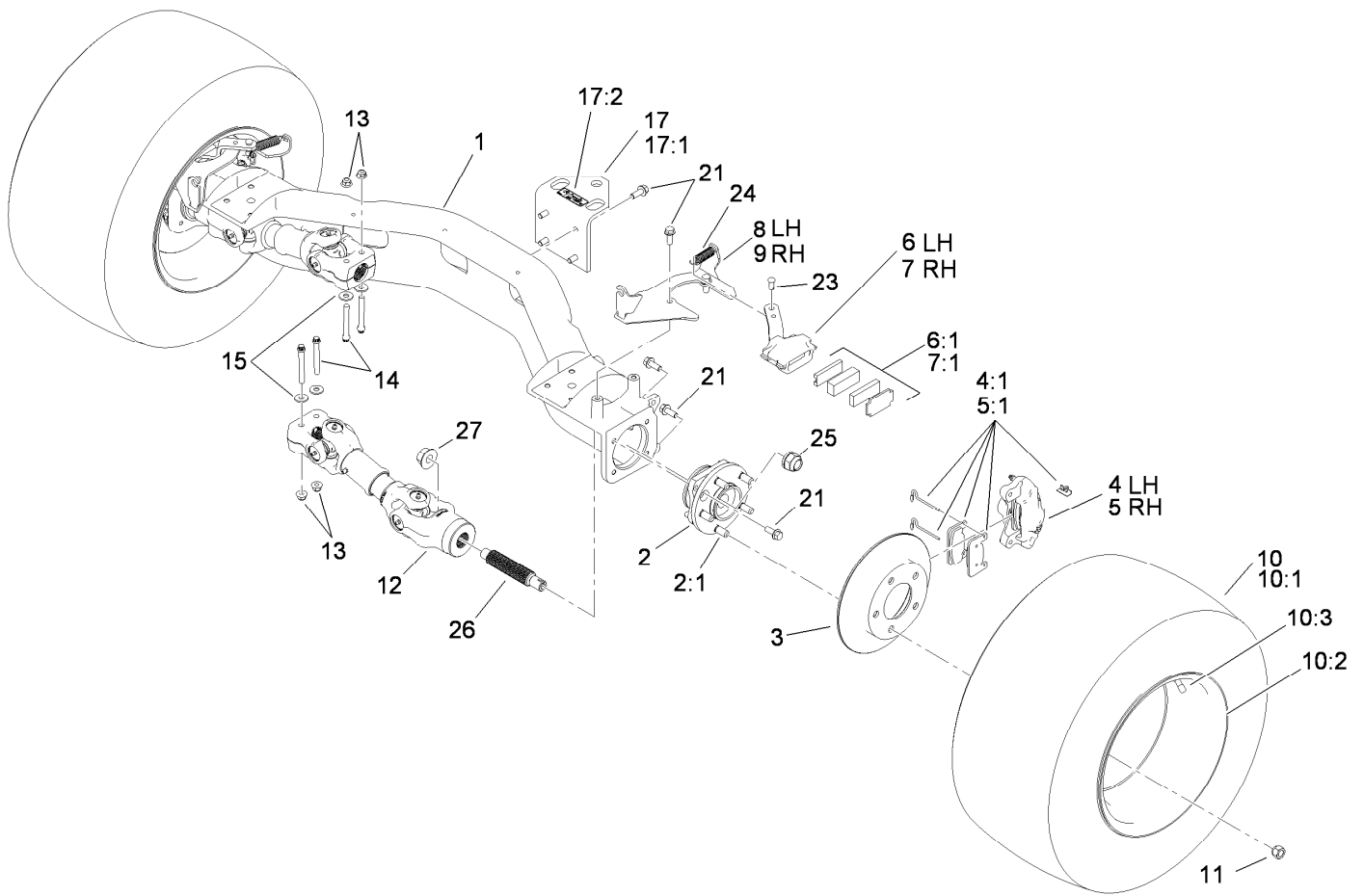
Front Control Arm Assembly

Ref.	Part Number	Qty.	Description	Ref.	Part Number	Qty.	Description
1	115-2404	1	Upper LH Control Arm ASM	3:3:1	302-5	1	Fitting-Grease
1:2	87-1450	2	Bushing-Flange	3:4	87-2420	1	Seal-Joint, Ball
1:3	115-2165	1	Ball Joint	3:5	32151-104	1	Ring-Retaining, External
1:3:1	302-5	1	Fitting-Grease	4	115-2407	1	Lower RH Control Arm ASM
1:4	87-2420	1	Seal-Joint, Ball	4:2	87-1450	2	Bushing-Flange
1:5	32151-104	1	Ring-Retaining, External	4:3	115-2165	1	Ball Joint
2	115-2405	1	Lower LH Control Arm ASM	4:3:1	302-5	1	Fitting-Grease
2:2	87-1450	2	Bushing-Flange	4:4	87-2420	1	Seal-Joint, Ball
2:3	115-2165	1	Ball Joint	4:5	32151-104	1	Ring-Retaining, External
2:3:1	302-5	1	Fitting-Grease	5	324-10	4	Screw-HH
2:4	87-2420	1	Seal-Joint, Ball	6	114-8417	4	Nut-HF, NI
2:5	32151-104	1	Ring-Retaining, External	7	114-8419	6	Screw-HHF
3	115-2406	1	Upper RH Control Arm ASM	8	99-5107	8	Nut-Lock
3:2	87-1450	2	Bushing-Flange	9	325-17	2	Screw-HH
3:3	115-2165	1	Ball Joint				



Rear Frame Assembly

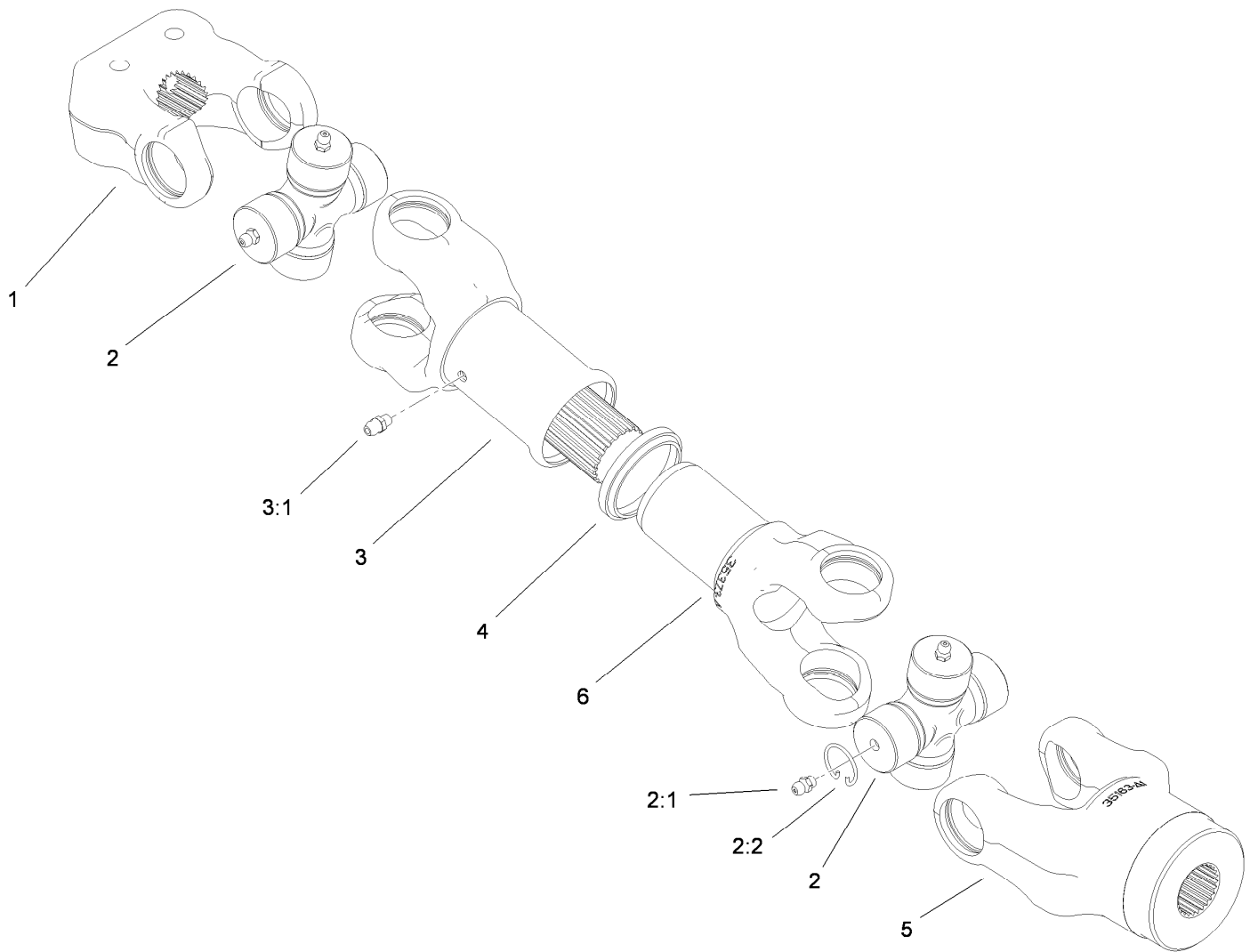
<i>Ref.</i>	<i>Part Number</i>	<i>Qty.</i>	<i>Description</i>	<i>Ref.</i>	<i>Part Number</i>	<i>Qty.</i>	<i>Description</i>
1	87-7480	8	Washer	12	87-4760	12	Bushing-Rubber
2	87-5330	2	Washer	13	87-1490	2	Spring-Leaf, Rear
3	115-7911	1	Rear Frame ASM	14	87-7470-03	2	Plate-Spring, Clamp
3:2	115-2047	2	Decal-Surface, Hot	15	3234-38	18	Screw-HHF
4	87-3600	2	Spacer-Absorber, Shock	16	87-3960	1	Mount-Spring, LH
5	3256-27	2	Washer-Flat	17	87-3940	1	Mount-Spring, RH
6	87-3920	8	Bushing	18	115-2398	8	Bolt-HH
7	87-3110	2	Absorber-Shock	19	87-3470	2	Bumper
8	3256-6	2	Washer-Flat	20	32148-9	4	Insert-Nut
9	99-5107	20	Nut-Lock	21	104-8301	6	Nut-HF, NI
10	87-3980	4	Shackle ASM	23	114-8424	2	Screw-HH
11	103-9511	2	Nut-Lock, NI	24	114-8417	2	Nut-HF, NI



Rear Axle Assembly

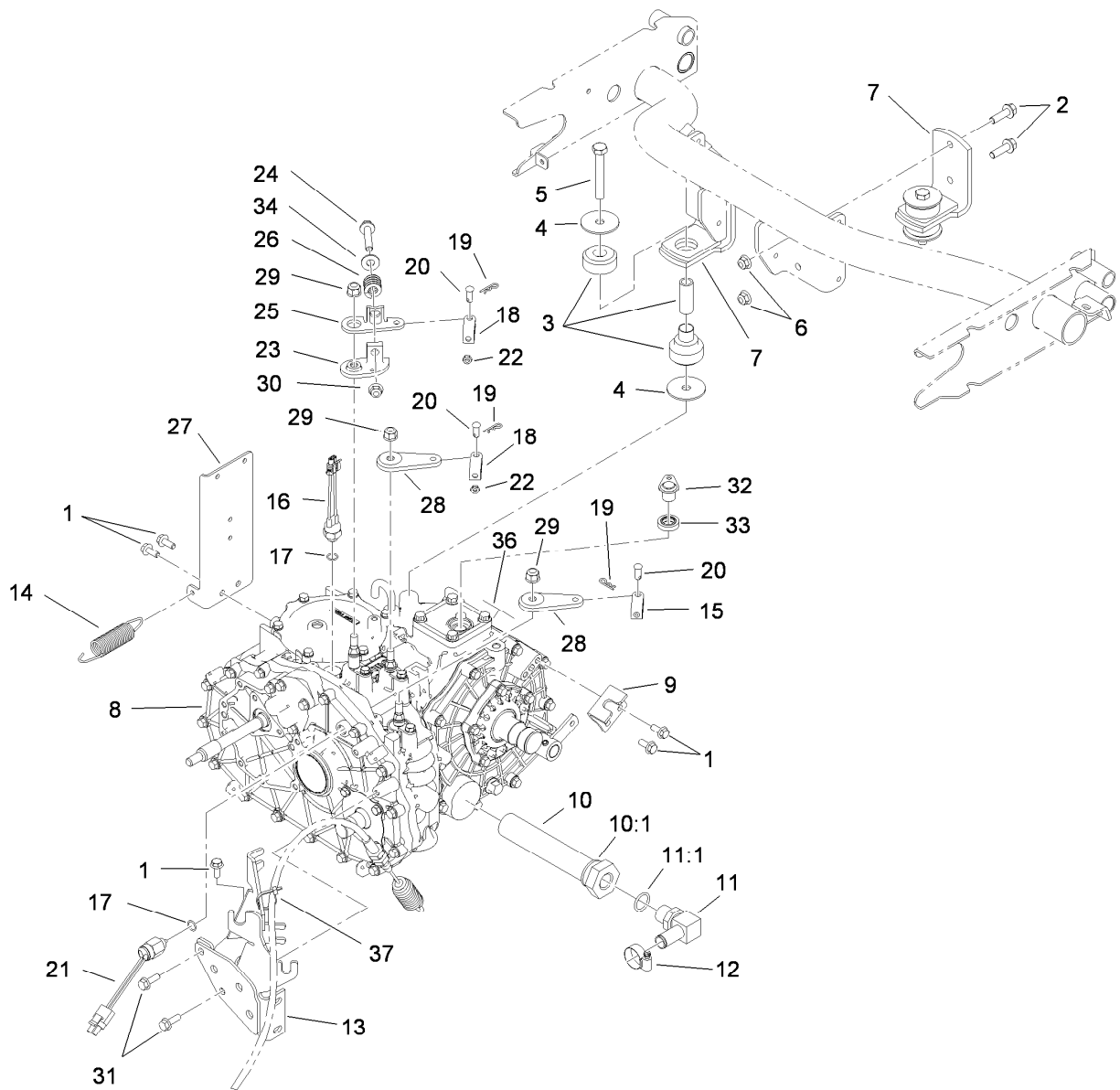
Ref.	Part Number	Qty.	Description	Ref.	Part Number	Qty.	Description
1	112-3188	1	Axle-Rear	10:2	114-8259	1	Wheel
2	112-3214	2	Wheel Hub ASM	10:3	232-27	1	Stem-Valve
2:1	114-8299	5	Stud-Wheel	11	242-50	10	Nut-Lug
3	114-8351	2	Rotor-Brake	12	114-8367	2	Driveshaft ASM
4	114-8359	1	Caliper-LH	13	104-8301	4	Nut-HF, NI
4:1	115-7846	1	Brake Pad Kit (T108)	14	98-2939	4	Screw-Cap
5	114-8360	1	Caliper-RH	15	80-6990	4	Washer-Hardened
5:1	115-7846	1	Brake Pad Kit (T108)	17	115-7742	1	Hitch ASM
6	114-8365	1	Caliper-Mechanical, LH	17:1	92-5951-03	1	Angle-Hitch
6:1	115-7847	1	Parking Brake Pad Kit	17:2	115-7740	1	Decal-Load, Towing
7	114-8366	1	Caliper-Mechanical, RH	21	3234-11	20	Screw-HHF
7:1	115-7847	1	Parking Brake Pad Kit	23	283-85	2	Pin-Clevis
8	115-2362-03	1	Bracket-Caliper, LH	24	104-6415	2	Spring-Return, Pedal
9	115-2359-03	1	Bracket-Caliper, RH	25	115-2164	2	Nut-Spindle
10		2	Tire And Wheel ASM ●	26	115-7771	2	Shaft, Splined
10:1	106-7868	1	Tire	27	104-0753	2	Nut-Flange

● Not serviced separately



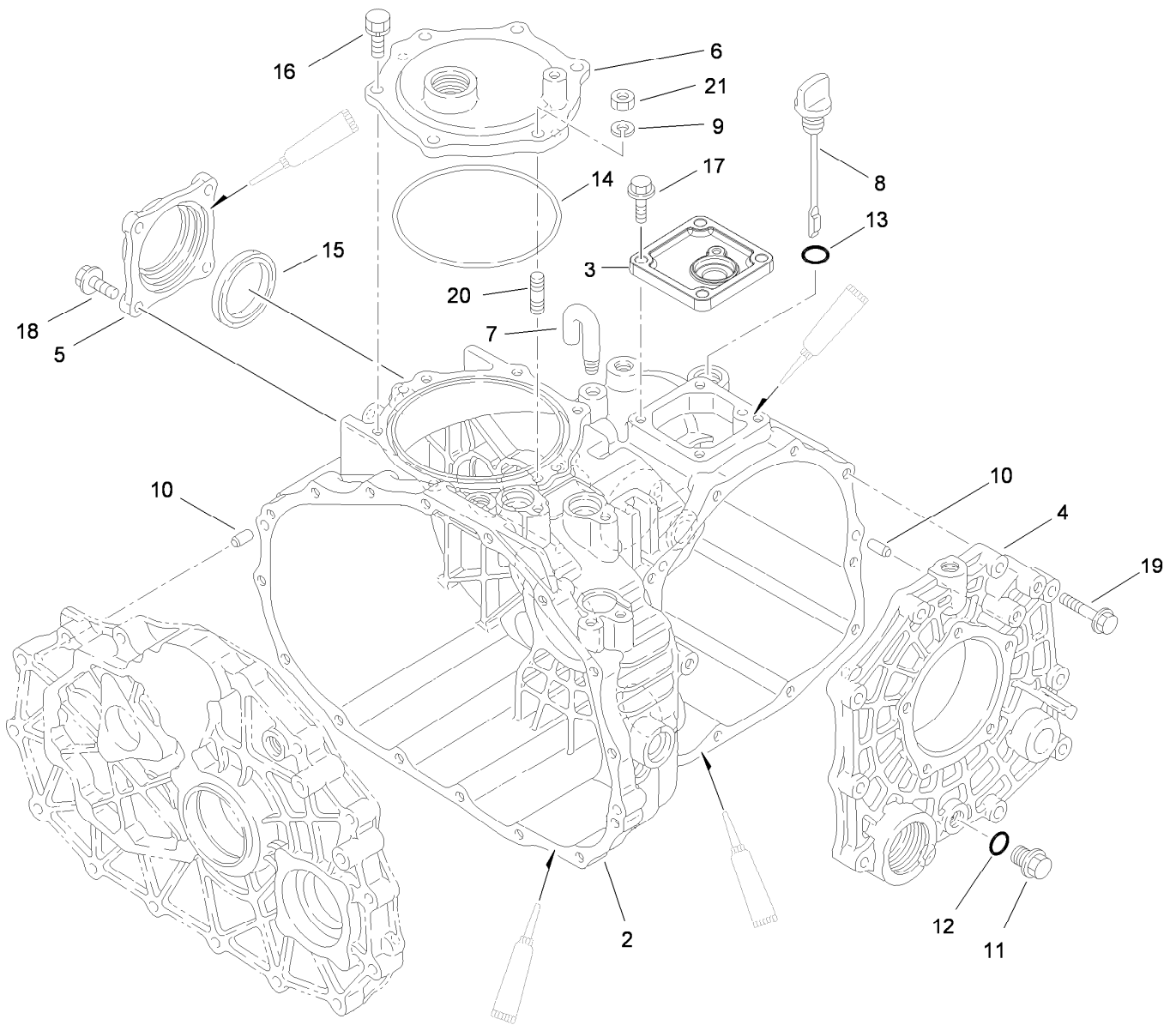
Driveshaft Assembly No. 114-8367

<i>Ref.</i>	<i>Part Number</i>	<i>Qty.</i>	<i>Description</i>
1	98-2940	1	Yoke
2	92-4187	2	Cross And Bearing Kit
2:1	302-58	4	Fitting-Straight
2:2	92-4188	4	Ring-Snap
3	92-4179	1	Yoke-Tube, Shaft And Seal
3:1	302-5	1	Fitting-Grease
4	92-4180	1	Seal
5	115-2351	1	Yoke
6	92-4182	1	Yoke-Telescoping



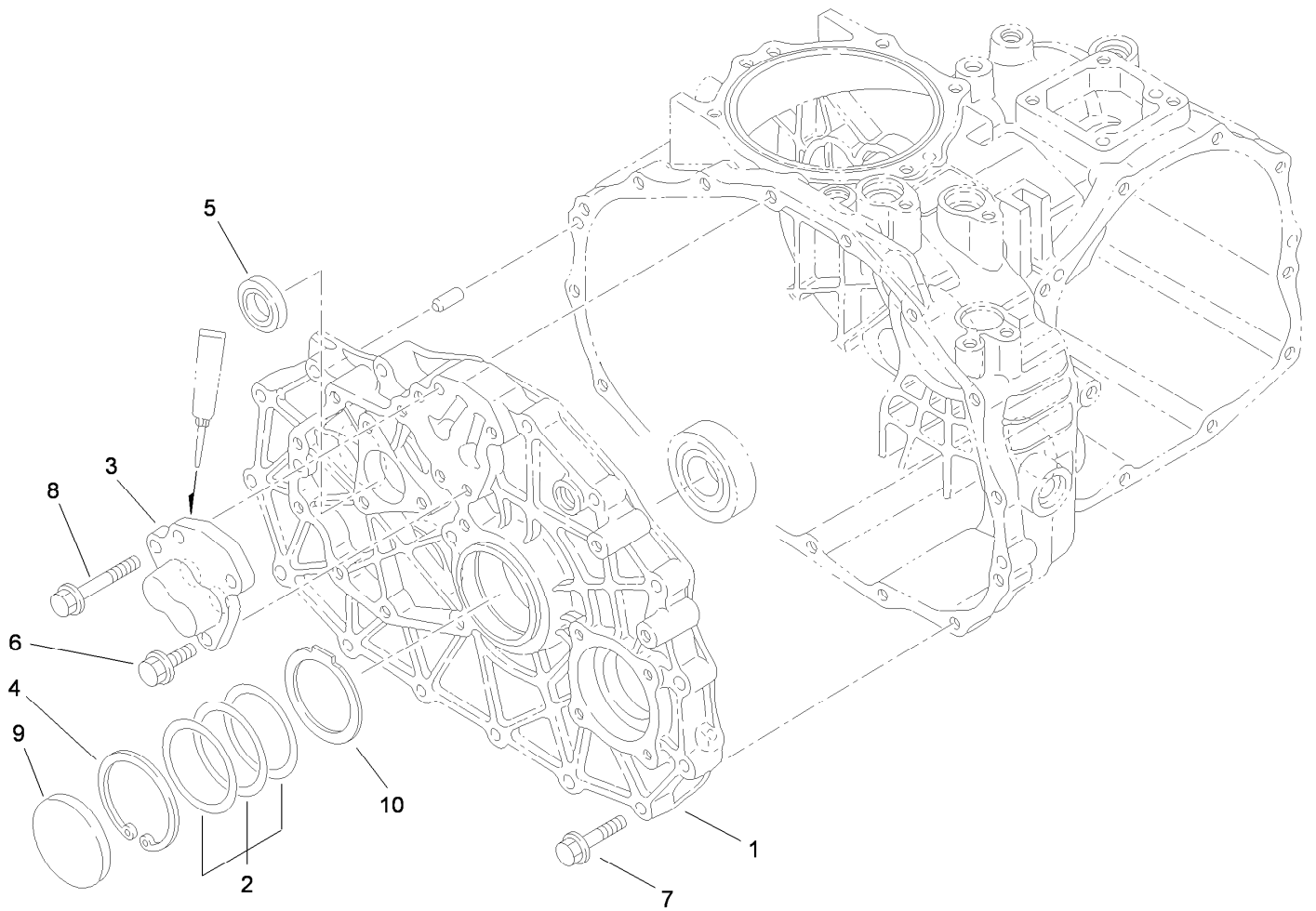
Transaxle Assembly

Ref.	Part Number	Qty.	Description	Ref.	Part Number	Qty.	Description
1	98-7977	5	Screw-HHF	17	237-30	2	O-Ring
2	3234-24	4	Screw-HHF	18	87-2310	2	Clevis-Cable
3	106-7865	2	Mount-Engine	19	3290-307	3	Pin-Cotter
4	87-5100	4	Washer-Snubbing	20	283-62	3	Pin-Clevis
5	33116-080	2	Screw-HH	21	87-6710	1	Switch-Transmission
6	104-8301	4	Nut-HF, NI	22	3220-1	2	Nut-Jam
7	87-5800-03	2	Mount-Transaxle	23	87-7970	1	Arm-Shift
8	115-7783	1	2 Wheel Drive Transaxle ASM	24	66-9302	1	Screw-HHF, Whiz
9	87-4470	1	Bracket-Lock, Differential	25	87-8250	1	Plate-Arm, Shift
10	87-3990	1	Strainer-Transaxle	26	87-6910	1	Spring-Compression
10:1	237-123	1	O-Ring	27	115-2240-03	1	Bracket-Fuel
11	353-987	1	Fitting-HYD, 90 DEG (Barbed)	28	87-7960	2	Lever-Shift
11:1	237-81	1	O-Ring	29	103-9511	3	Nut-Lock, NI
12	2412-129	1	Clamp-Hose	30	3290-357	1	Nut-HHF, Whiz
13	105-4207-03	1	Mount-Cable	31	33104-025	2	Screw-HHF
14	68-9950	1	Spring-Traction	32	115-7774	1	Plug ASM
15	87-7160	1	Clevis-Cable	33	92-3735	1	Seal-Oil, Sensor
16	72-4310	1	Switch-Ball	34	3256-4	1	Washer-Flat
				36	115-7741	1	Decal-Oil, Transmission
				37	3290-379	1	Tie-Cable



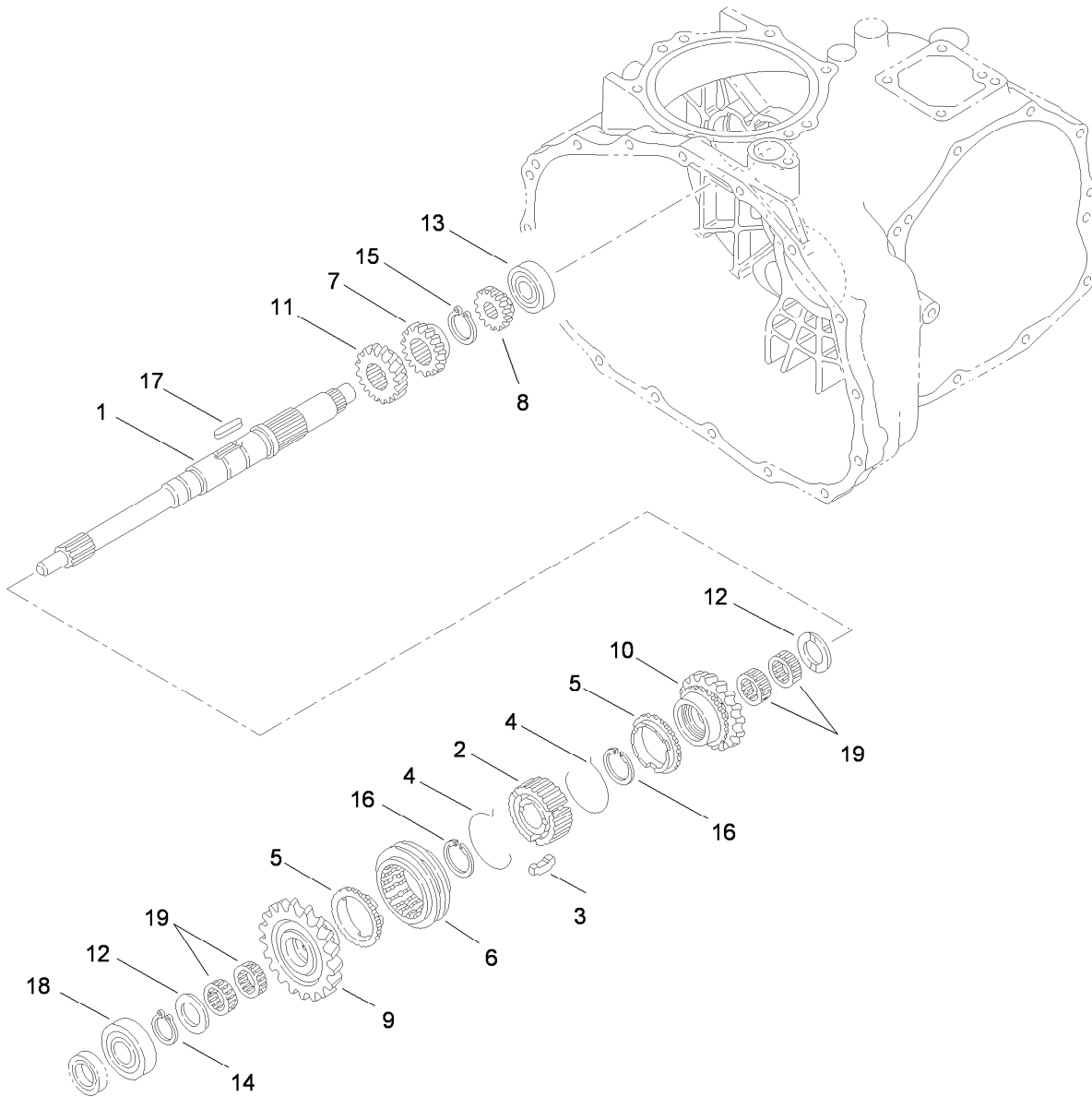
Case Assembly Transaxle Assembly No. 115-7783

<i>Ref.</i>	<i>Part Number</i>	<i>Qty.</i>	<i>Description</i>	<i>Ref.</i>	<i>Part Number</i>	<i>Qty.</i>	<i>Description</i>
2	92-0651	1	Case-Transmission	12	92-0787	1	O-Ring
3	92-0810	1	Cover-Upper, Sensor	13	92-0788	1	O-Ring
4	92-0653	1	Cover-Side	14	92-0790	1	O-Ring
5	92-0655	1	Cover-Seal, Axle	15	92-0793	1	Seal-Oil
6	92-0656	1	Cover-Upper, PTO	16	92-0796	5	Bolt
7	92-0743	1	Breather-Air	17	33104-025	4	Screw-HHF
8	92-0662	1	Cap-Oil	18	33104-025	4	Screw-HHF
9	92-0762	1	Washer-Spring	19	33104-040	10	Screw-HHF
10	92-0765	4	Pin-Parallel	20	92-0805	1	Bolt 8X20
11	92-0773	1	Plug-Drain	21	68-9400	1	Nut-Flange



Center Plate Assembly Transaxle Assembly No. 115-7783

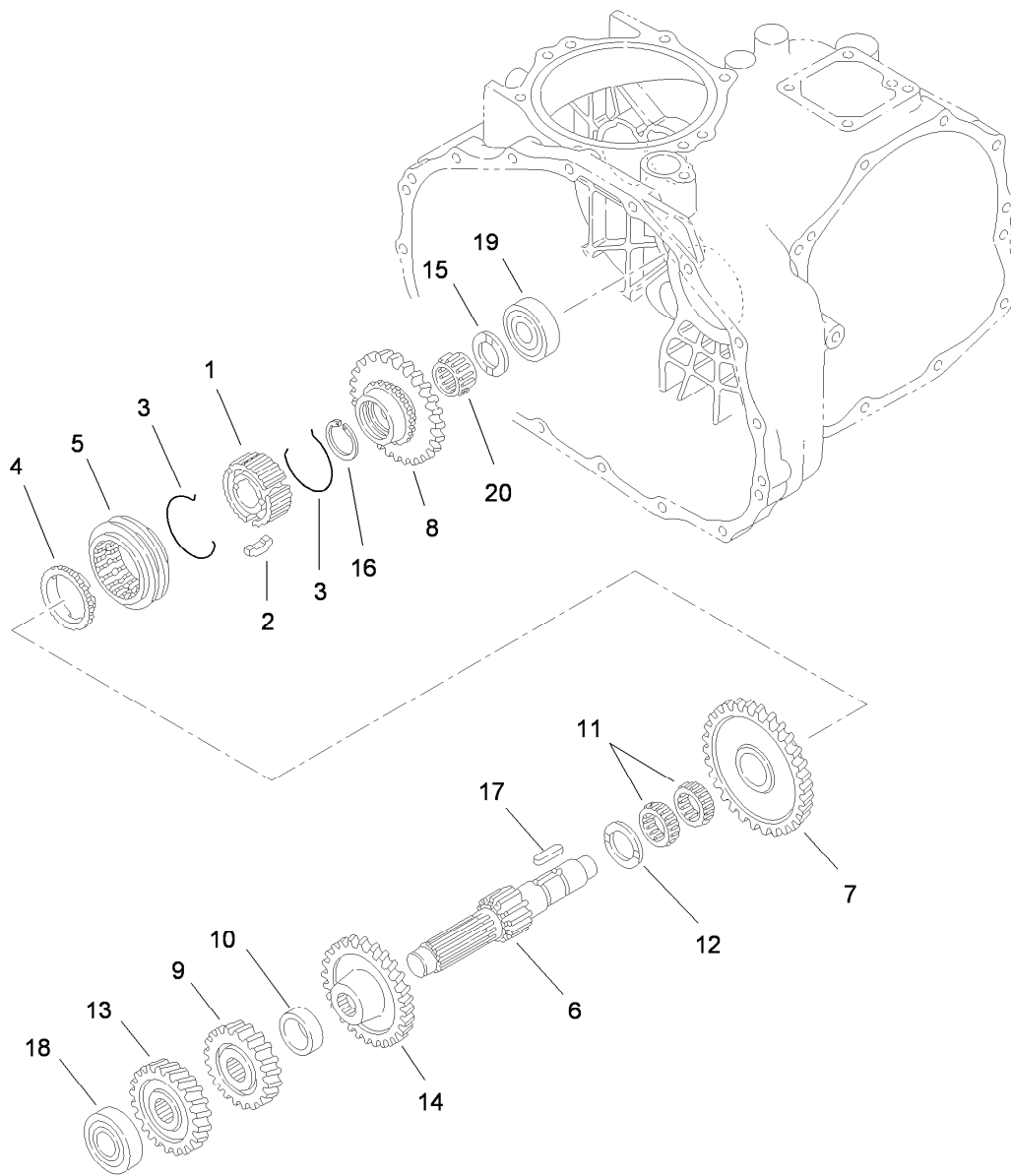
<i>Ref.</i>	<i>Part Number</i>	<i>Qty.</i>	<i>Description</i>
1	100-4461	1	Plate-Center
2	100-4460	1	Shim-Set
3	92-0706	1	Shaft-Fork
4	92-0759	1	Ring-Snap
5	92-0791	1	Seal-Oil
6	33104-025	3	Screw-HHF
7	33104-040	15	Screw-HHF
8	33104-050	1	Screw-HHF
9	92-0807	1	Cap-Sealing
10	100-4465	1	Shim (W/Tab)



Main Shaft Assembly Transaxle Assembly No. 115-7783

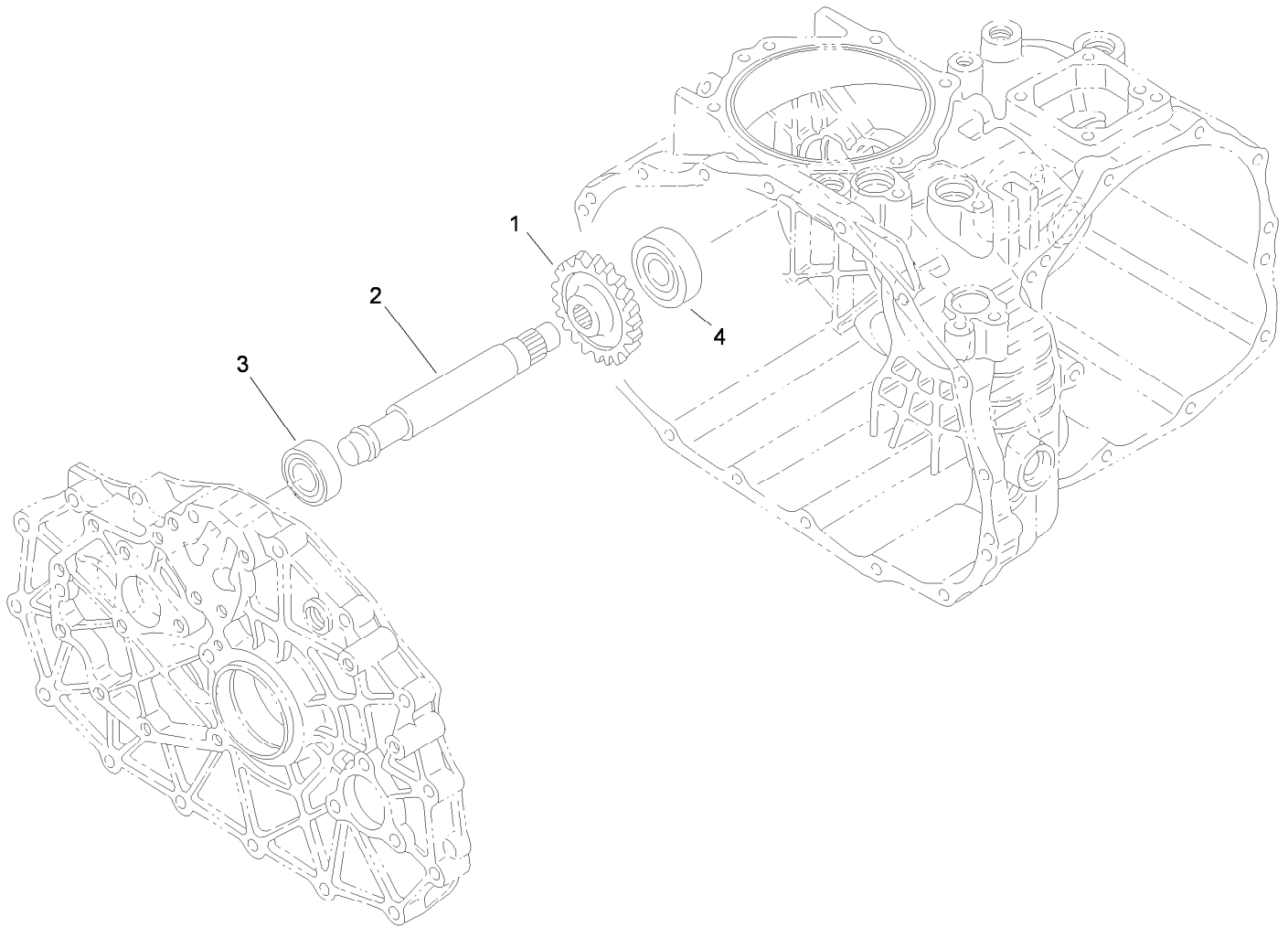
<i>Ref.</i>	<i>Part Number</i>	<i>Qty.</i>	<i>Description</i>
1	92-0663	1	Shaft-Main
2	92-0664	1	Hub-Synchro
3	92-0665	3	Key-Synchro
4	92-0666	2	Spring-Synchro
5	92-0667	2	Ring-Synchro
6	92-0668	1	Shifter-Synchro
7	92-0672	1	Gear-Main, 18 Tooth
8	92-0673	1	Gear-Main, 14 Tooth
9	110-2521	1	Gear-Main, 27 Tooth
10	110-2522	1	Gear- Main, 24 Tooth

<i>Ref.</i>	<i>Part Number</i>	<i>Qty.</i>	<i>Description</i>
11	92-0687	1	Gear-Main, 16 Tooth
12	92-0740	2	Washer-Thrust
13	92-0650	1	Bearing
14	92-0753	1	Ring-Snap
15	92-0754	1	Ring-Snap
16	92-0763	2	Ring-Snap
17	92-0772	1	Key
18	251-8	1	Bearing-Ball
19	92-0781	4	Bearing-Needle



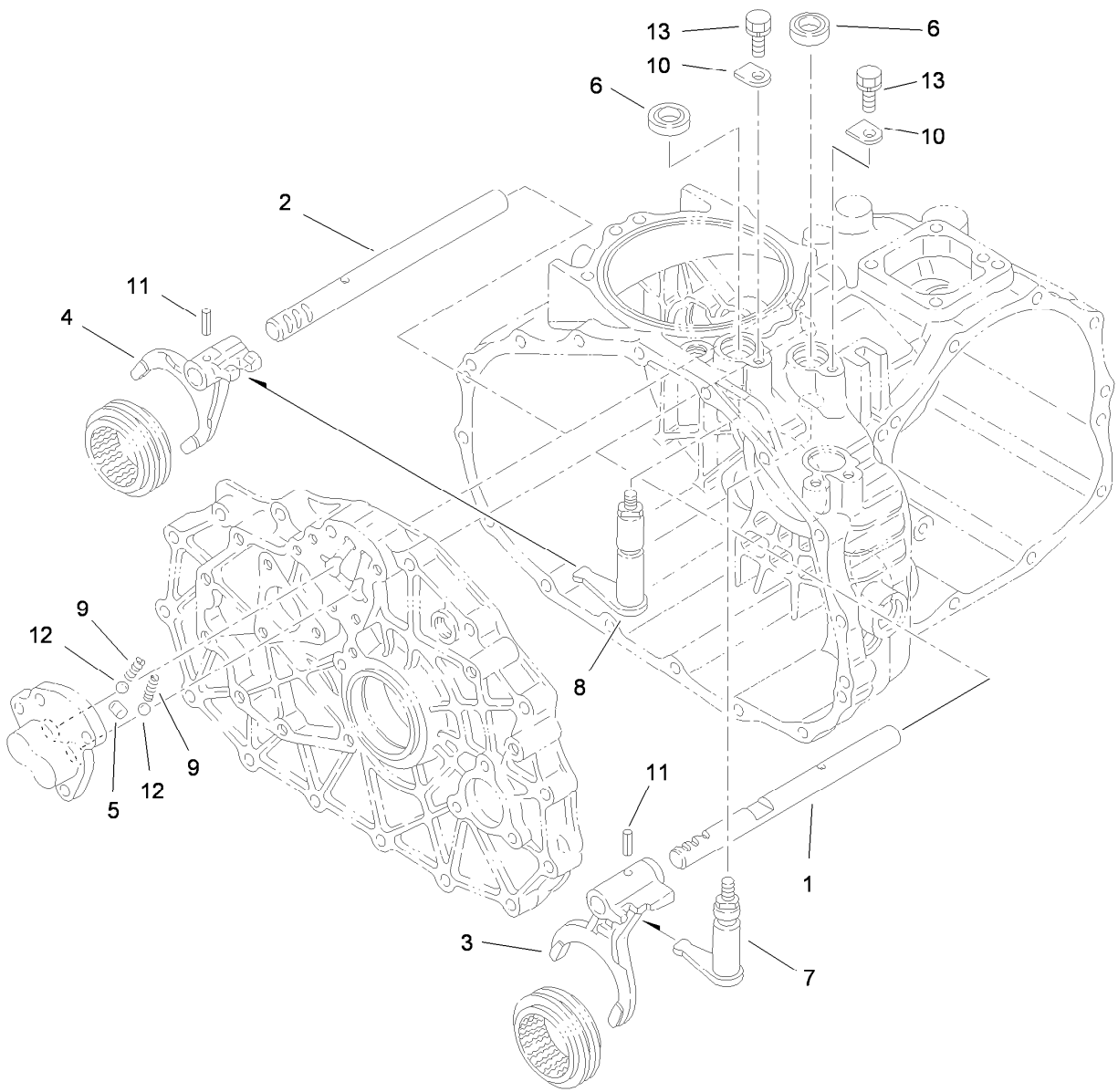
Reduction Shaft Assembly Transaxle Assembly No. 115-7783

<i>Ref.</i>	<i>Part Number</i>	<i>Qty.</i>	<i>Description</i>	<i>Ref.</i>	<i>Part Number</i>	<i>Qty.</i>	<i>Description</i>
1	92-0664	1	Hub-Synchro	11	92-0681	2	Bearing-Needle
2	92-0665	3	Key-Synchro	12	92-0682	1	Washer-Thrust
3	92-0666	2	Spring-Synchro	13	92-0822	1	Gear-Reduction, 28 Tooth
4	92-0667	1	Ring-Synchro	14	92-0823	1	Gear-Reduction, 43 Tooth
5	92-0668	1	Shifter-Synchro	15	92-0740	1	Washer-Thrust
6	92-0674	1	Shaft-Reduction	16	92-0673	1	Gear-Main, 14 Tooth
7	110-2524	1	Gear- Reduction, 49 Tooth	17	92-0772	1	Key
8	92-0819	1	Gear-Reduction, 40 Tooth	18	105-7985	1	Bearing
9	92-0769	1	Pin-Roll	19	92-0778	1	Bearing
10	92-0680	1	Collar	20	92-0782	1	Bearing-Needle



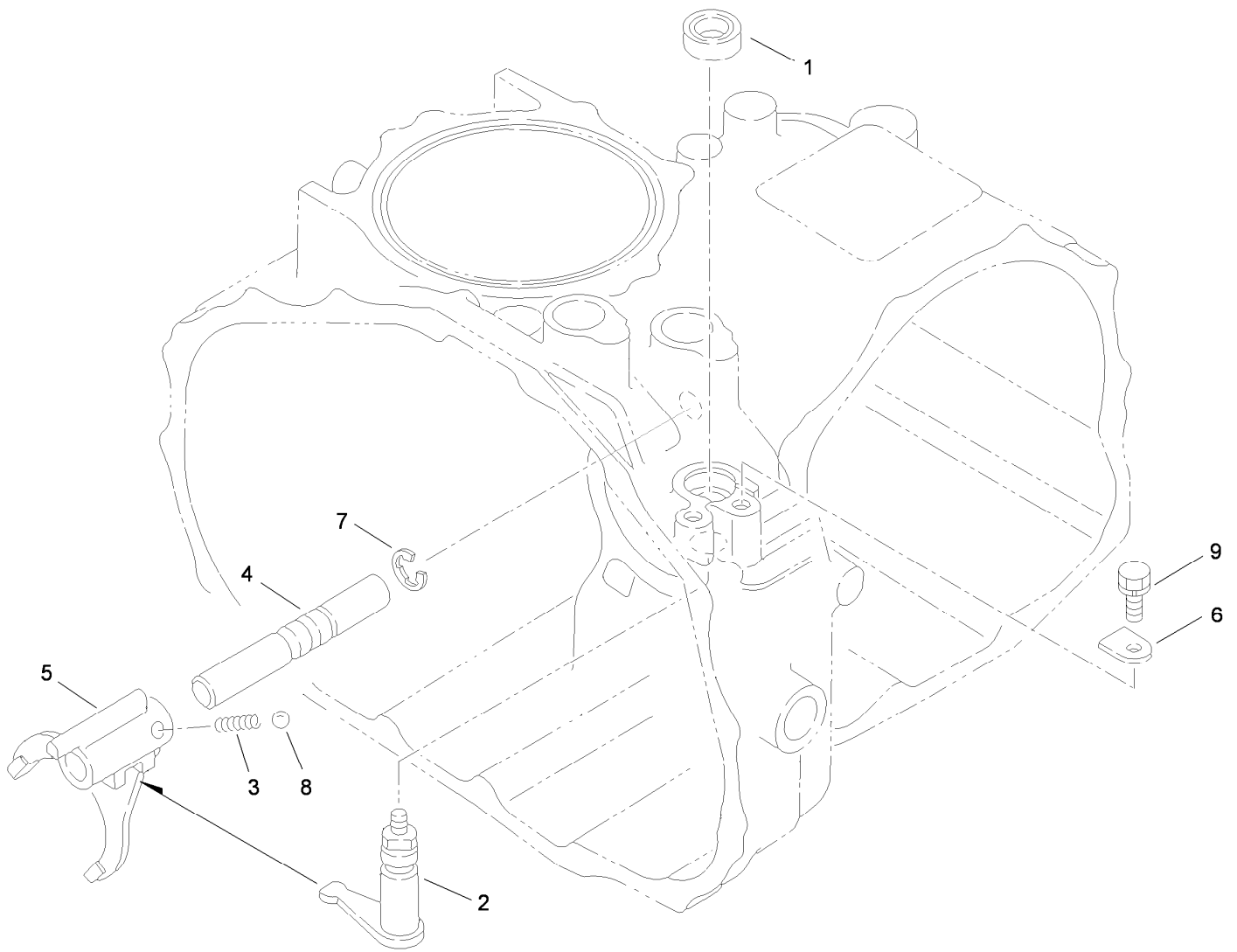
Reverse Shaft Assembly Transaxle Assembly No. 115-7783

<i>Ref.</i>	<i>Part Number</i>	<i>Qty.</i>	<i>Description</i>
1	92-0684	1	Gear-Reverse, 33 Tooth
2	92-0824	1	Shaft-Idler, Reverse
3	251-346	1	Bearing-Ball
4	92-0778	1	Bearing



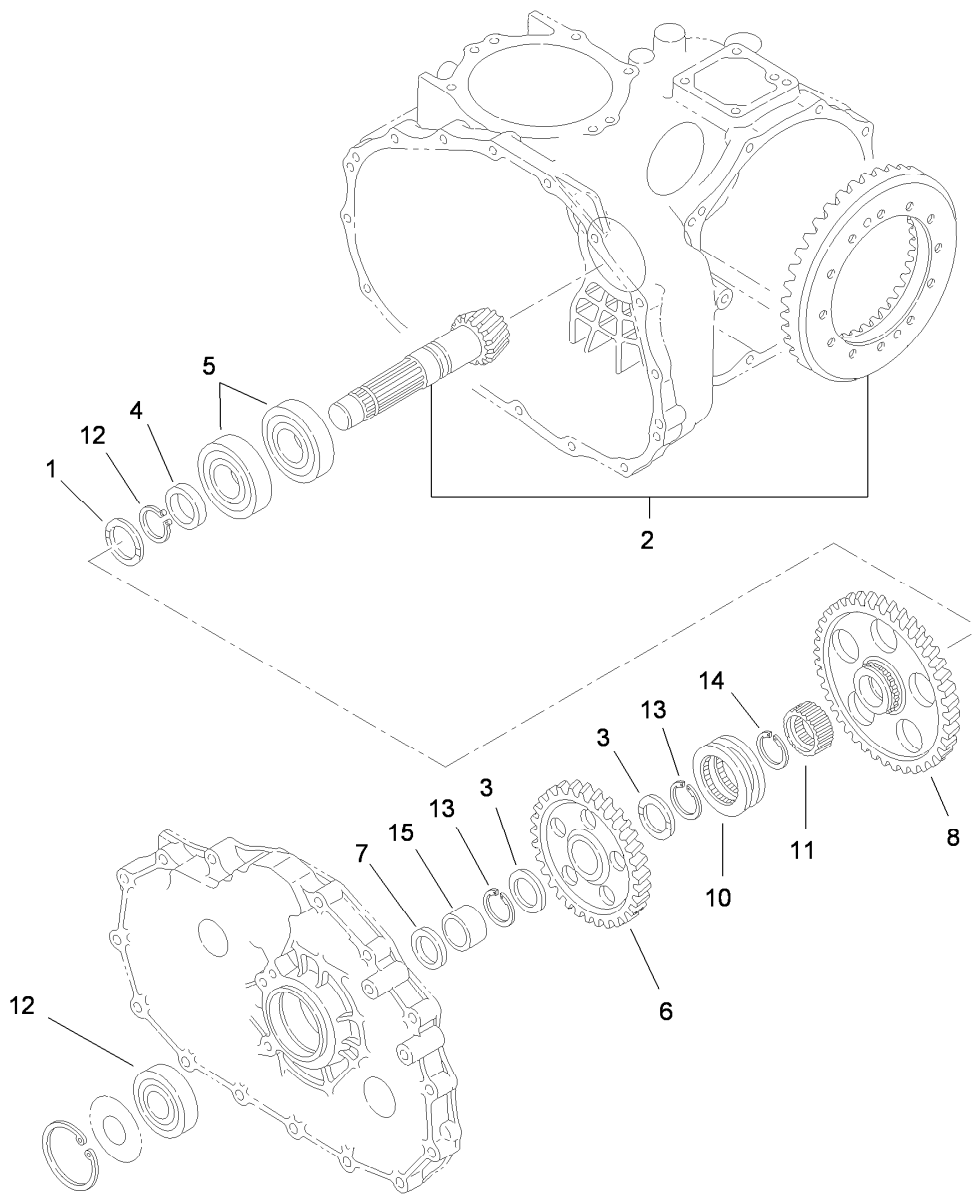
Main Shift Assembly Transaxle Assembly No. 115-7783

<i>Ref.</i>	<i>Part Number</i>	<i>Qty.</i>	<i>Description</i>
1	92-0698	1	Shaft-Fork
2	92-0699	1	Shaft-Fork
3	92-0700	1	Fork-Shift
4	92-0701	1	Fork-Shift
5	92-0705	1	Lock-Spindle
6	92-0729	2	Seal-Oil
7	92-0816	1	Arm-Shift
8	92-0817	1	Arm-Shift
9	92-0731	2	Spring
10	92-0732	2	Plate-Keeper
11	92-0769	2	Pin-Roll
12	92-0785	2	Ball-Steel
13	33104-016	2	Screw-HHF



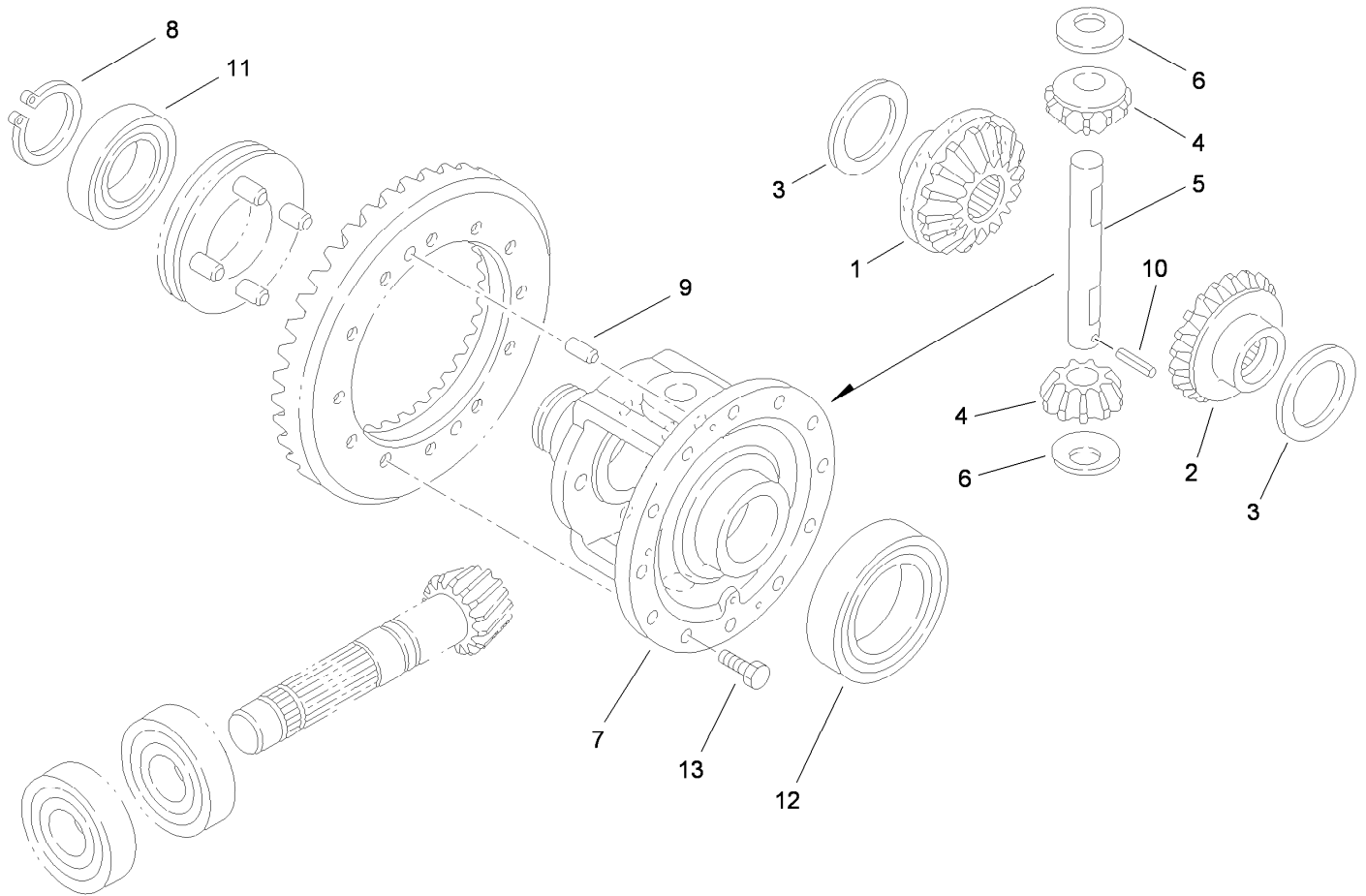
Hi-Lo Shift Assembly Transaxle Assembly No. 115-7783

<i>Ref.</i>	<i>Part Number</i>	<i>Qty.</i>	<i>Description</i>
1	92-0729	1	Seal-Oil
2	92-0818	1	Arm-Shift
3	92-0731	1	Spring
4	92-0708	1	Shaft-Fork
5	92-0709	1	Fork-Shift
6	92-0732	1	Plate-Keeper
7	92-0761	1	Ring-E
8	92-0785	1	Ball-Steel
9	33104-016	1	Screw-HHF



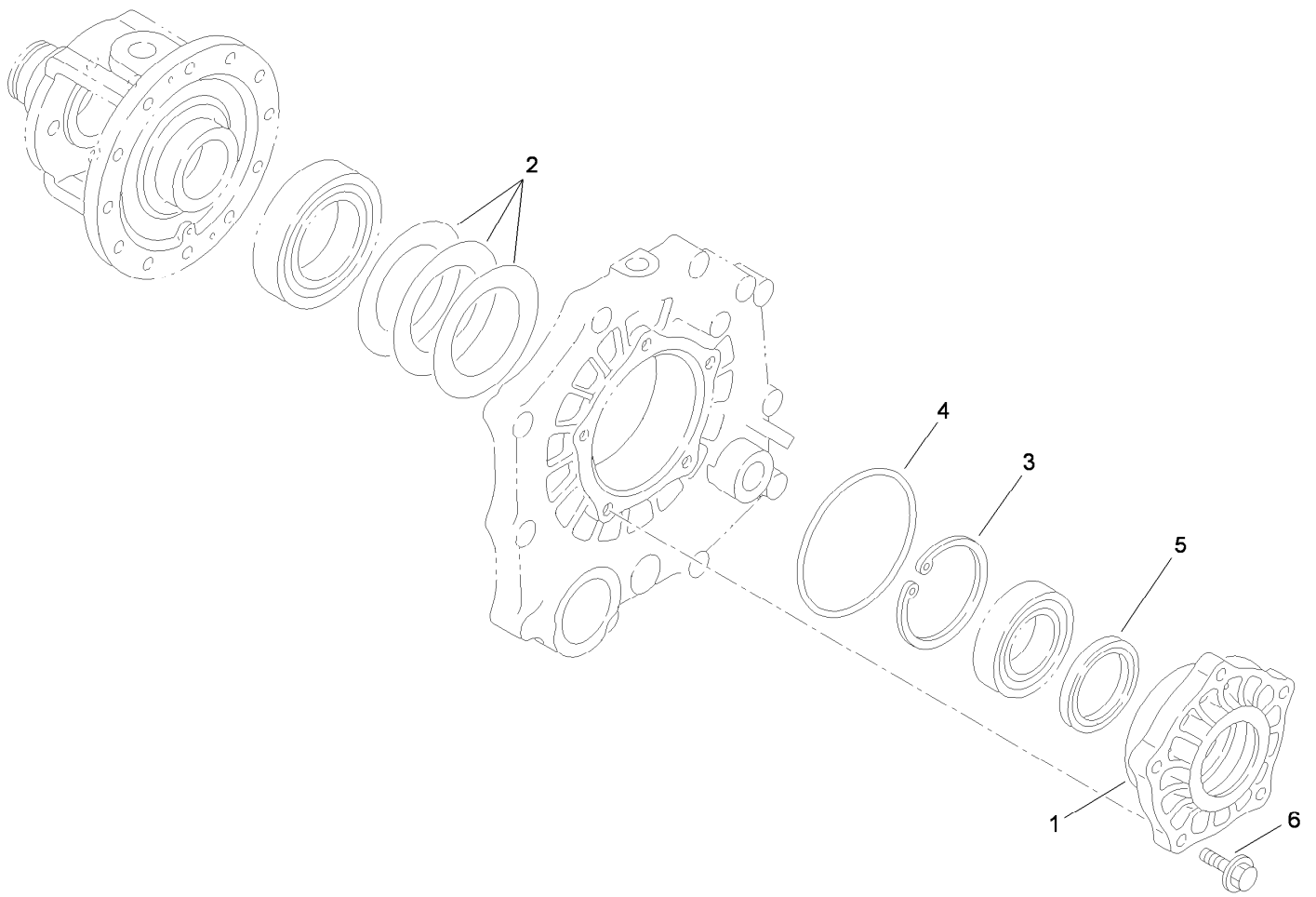
Countershaft Assembly Transaxle Assembly No. 115-7783

<i>Ref.</i>	<i>Part Number</i>	<i>Qty.</i>	<i>Description</i>
1	92-0741	1	Washer-Thrust
2	105-7983	1	Countershaft And Ring Gear ASM
3	92-0711	2	Washer-Thrust
4	92-0713	1	Collar
5	92-0714	2	Bearing
6	92-0715	1	Gear-Countershaft
7	92-0716	1	Collar
8	92-0717	1	Gear-Countershaft
10	92-0718	1	Shifter
11	105-7986	1	Collar-Spline
12	92-0712	1	Bearing-Ball
13	105-7987	2	Ring-Snap
14	92-0755	1	Ring-Snap
15	92-0783	1	Race-Inner



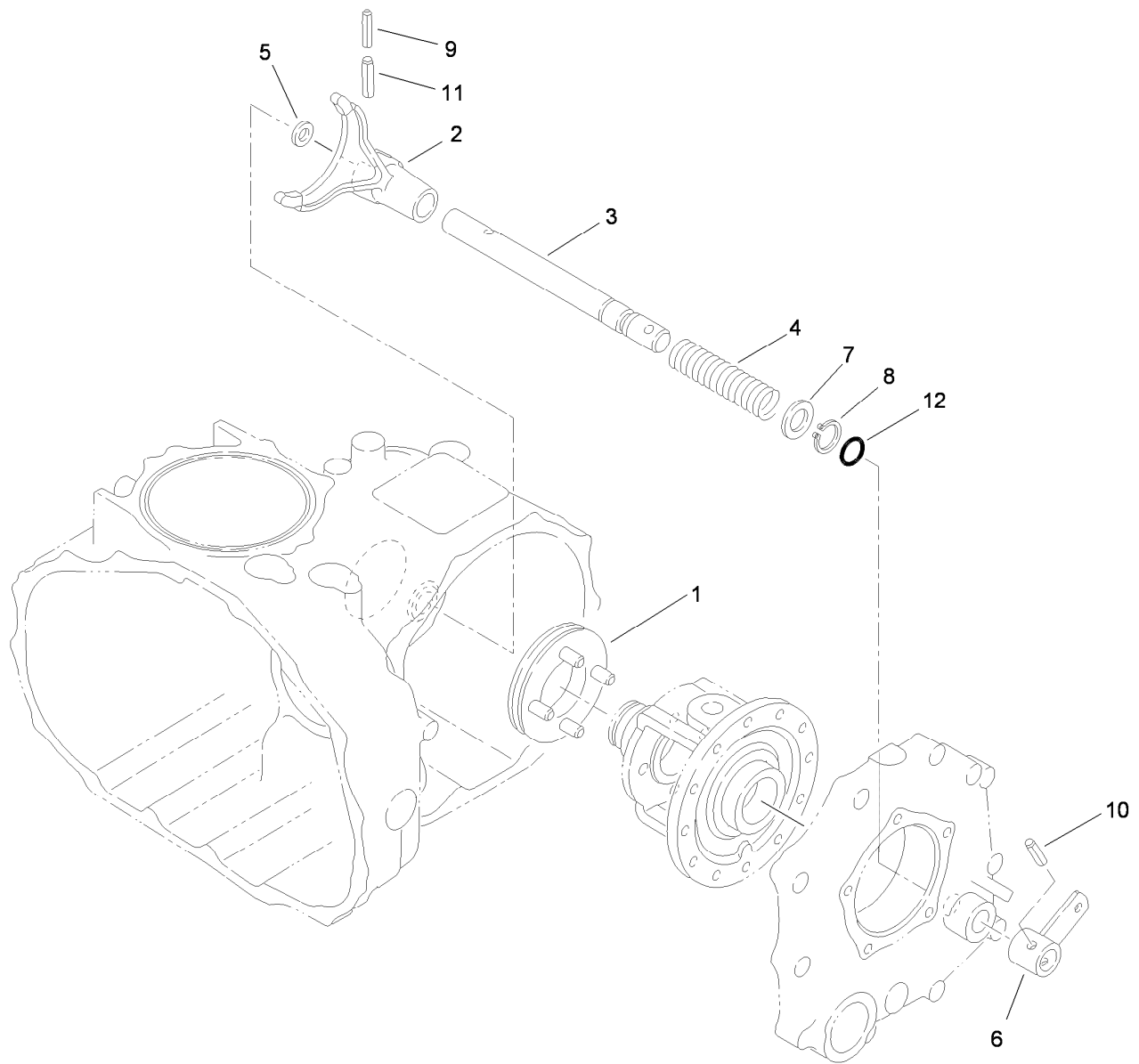
Differential Gear Assembly Transaxle Assembly No. 115-7783

<i>Ref.</i>	<i>Part Number</i>	<i>Qty.</i>	<i>Description</i>
1	92-0745	1	Gear-Side, LH
2	92-0746	1	Gear-Side, RH
3	92-0747	2	Side-Gear, Left Inner
4	92-0748	2	Pinion-Differential
5	92-0749	1	Shaft-Pinion
6	92-0750	2	Washer
7	92-0720	1	Case-Differential
8	92-0756	1	Ring-Snap
9	92-0765	2	Pin-Parallel
10	92-0768	1	Pin-Roll, Spring
11	92-0775	1	Bearing
12	92-0776	1	Bearing
13	92-0803	12	Bolt



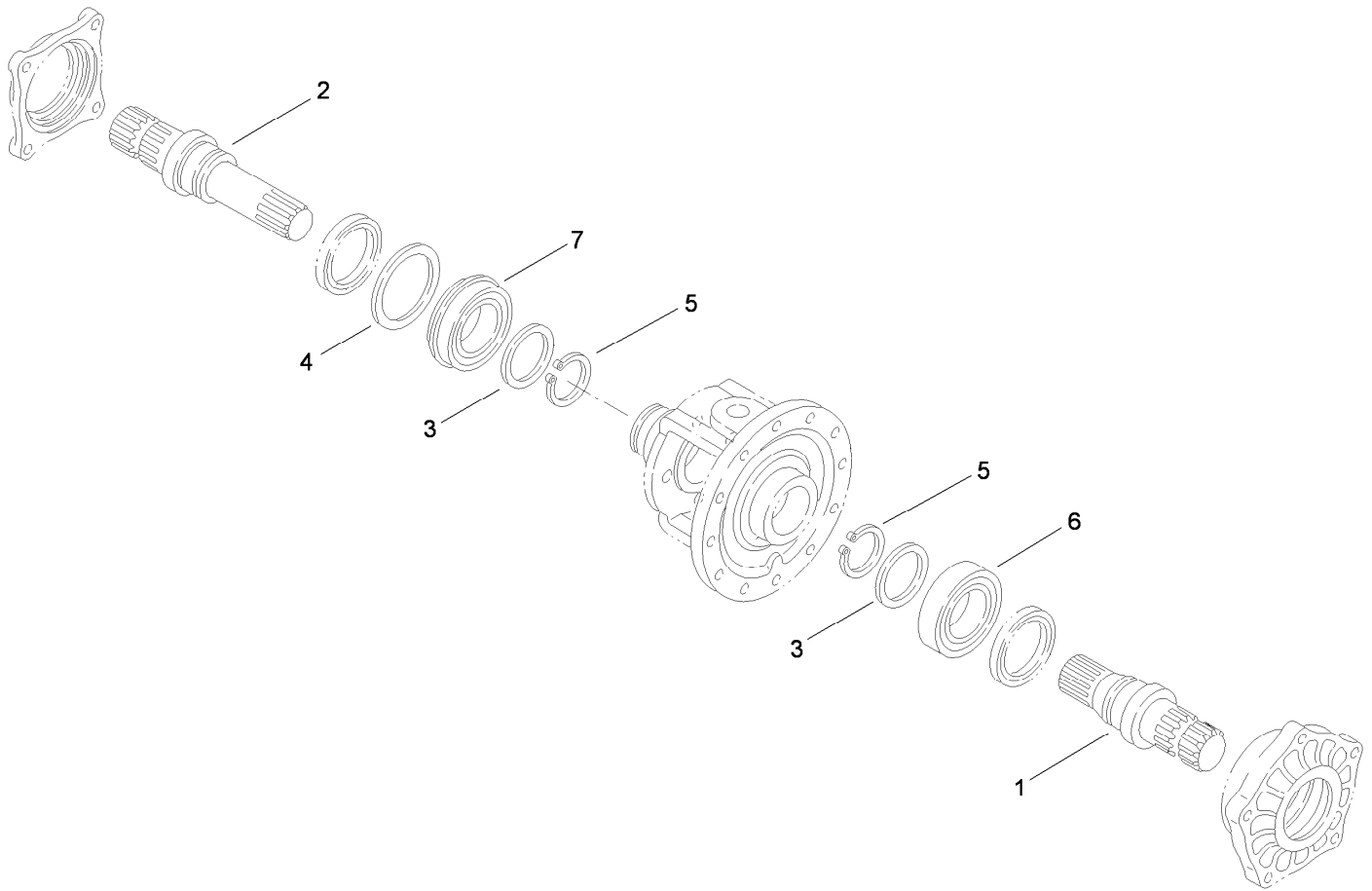
Differential Carrier Assembly Transaxle Assembly No. 115-7783

<i>Ref.</i>	<i>Part Number</i>	<i>Qty.</i>	<i>Description</i>
1	92-0654	1	Carrier-Differential
2	92-0809	1	Set-Shim
3	92-0760	1	Ring-Snap
4	92-0789	1	O-Ring
5	92-0793	1	Seal-Oil
6	33104-030	5	Screw-HHF



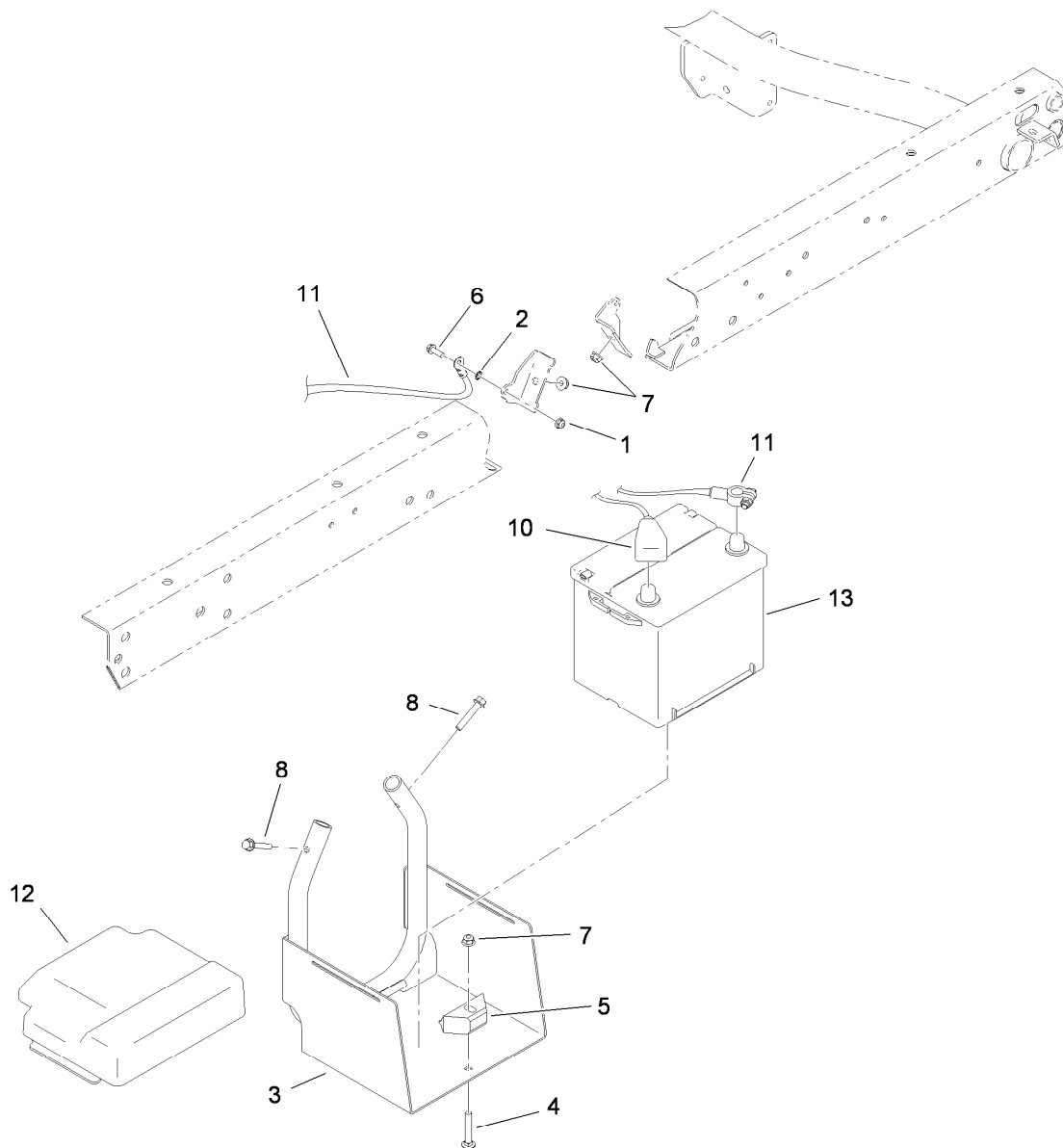
Differential Lock Assembly Transaxle Assembly No. 115-7783

<i>Ref.</i>	<i>Part Number</i>	<i>Qty.</i>	<i>Description</i>
1	92-0730	1	Slider-Differential, Lock
2	92-0721	1	Fork-Lock, Differential
3	92-0722	1	Shaft-Fork, Lock Differential
4	92-0723	1	Spring-Lock, Differential
5	92-0744	1	Washer
6	92-0724	1	Arm-Lock, Differential
7	92-0733	1	Washer
8	92-0753	1	Ring-Snap
9	92-0768	1	Pin-Roll, Spring
10	92-0770	1	Pin-Roll, Spring
11	92-0771	1	Pin-Roll, Spring
12	92-0787	1	O-Ring



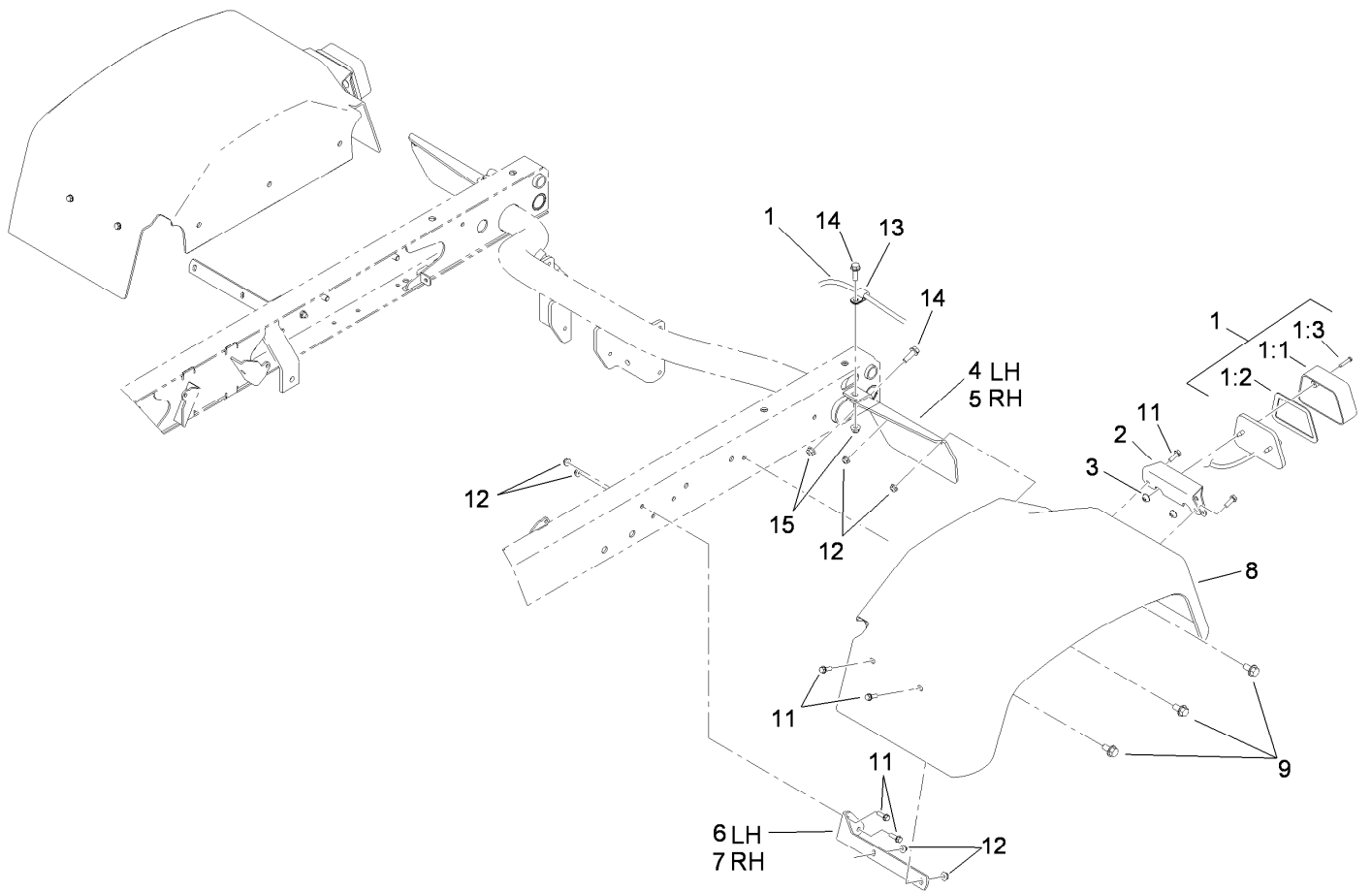
Axle Shaft Assembly Transaxle Assembly No. 115-7783

<i>Ref.</i>	<i>Part Number</i>	<i>Qty.</i>	<i>Description</i>
1	92-0725	1	Shaft-Axle, Left
2	92-0726	1	Shaft-Axle, Right
3	92-0727	2	Washer
4	92-0728	1	Washer
5	92-0756	2	Ring-Snap
6	92-0775	1	Bearing
7	92-0780	1	Bearing



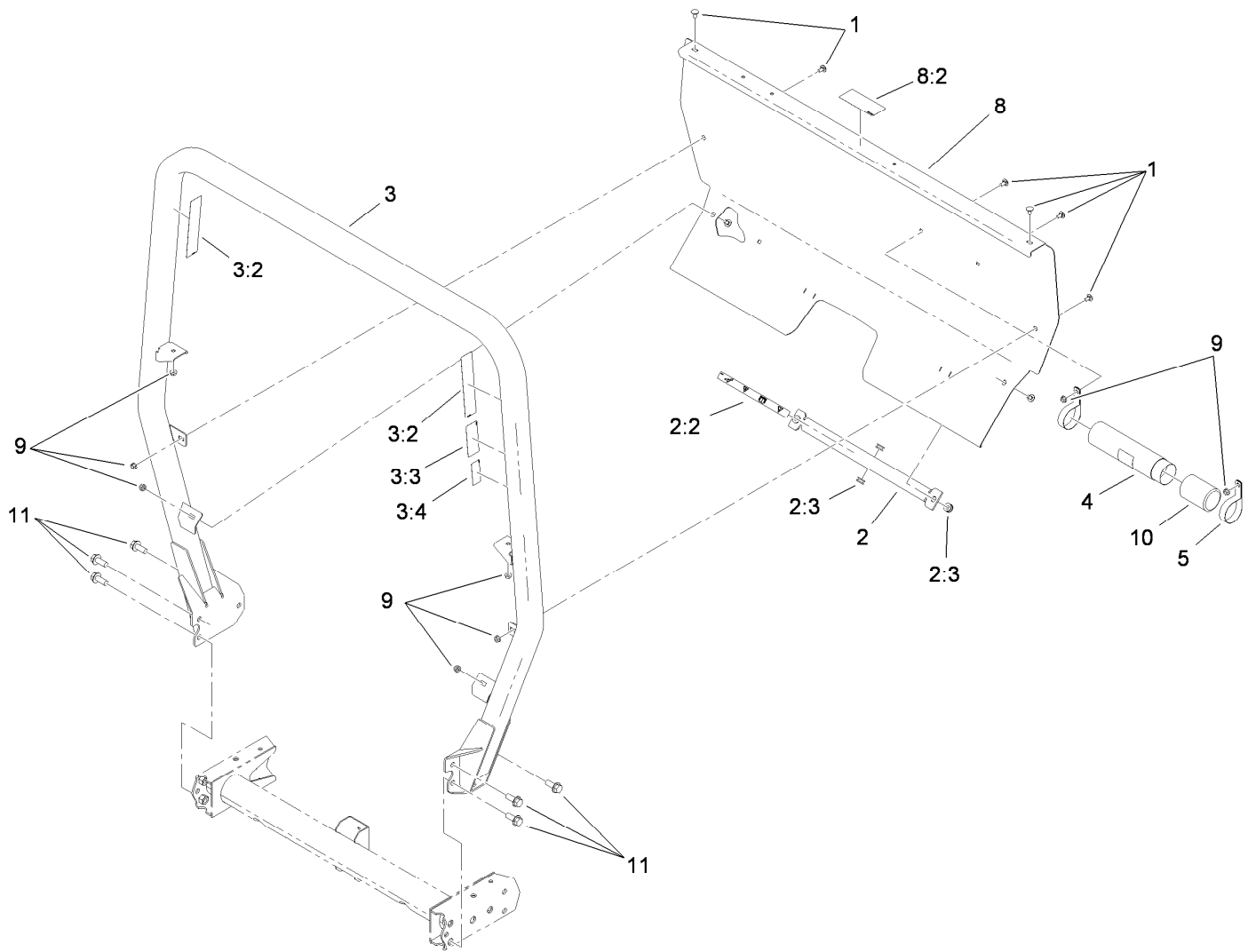
Battery Assembly

<i>Ref.</i>	<i>Part Number</i>	<i>Qty.</i>	<i>Description</i>
1	104-7201	1	Nut-HF
2	3255-8	1	Washer-Lock
3	115-2237-03	1	Tray-Battery
4	3230-6	1	Screw-CARR
5	66-2490	1	Retainer-Battery
6	32105-15	1	Screw-HWH
7	104-8300	3	Nut-HF, NI
8	94-5780	2	Screw-HWH
10	87-8000	1	Cable-Battery, Positive
11	115-8122	1	Cable-Battery, Negative
12	115-2448	1	Cover-Battery
13	106-5187	1	Battery-Dry



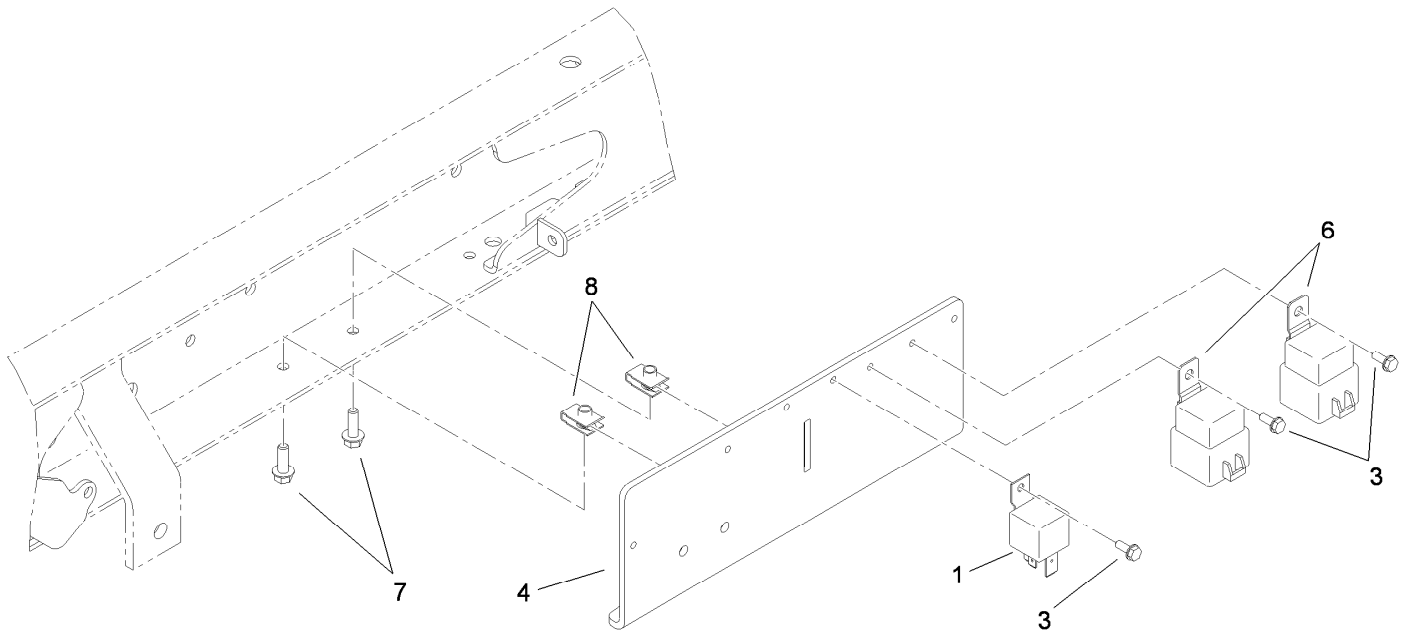
Tail Light and Fender Assembly

<i>Ref.</i>	<i>Part Number</i>	<i>Qty.</i>	<i>Description</i>	<i>Ref.</i>	<i>Part Number</i>	<i>Qty.</i>	<i>Description</i>
1	115-7745	2	Light-Tail, Brake	7	93-8942-03	1	Bracket-Fender, Front (RH)
1:1	87-6300	1	Lens-Light, Tail	8	87-6660	2	Fender-Rear
1:2	87-6310	1	Gasket-Light, Tail	9	110-9380	6	Screw-HWH
1:3	32144-93	2	Screw-PPHTF	11	32105-15	12	Screw-HWH
2	115-2289-03	2	Bracket-Light, Tail	12	104-7201	12	Nut-HF
3	3290-506	4	Palnut	13	2412-93	2	Clamp-R
4	93-8943-03	1	Bracket-Fender, Rear (LH)	14	3234-17	4	Screw-HHF
5	93-8944-03	1	Bracket-Fender, Rear (RH)	15	104-8300	4	Nut-HF, NI
6	93-8941-03	1	Bracket-Fender, Front (LH)				



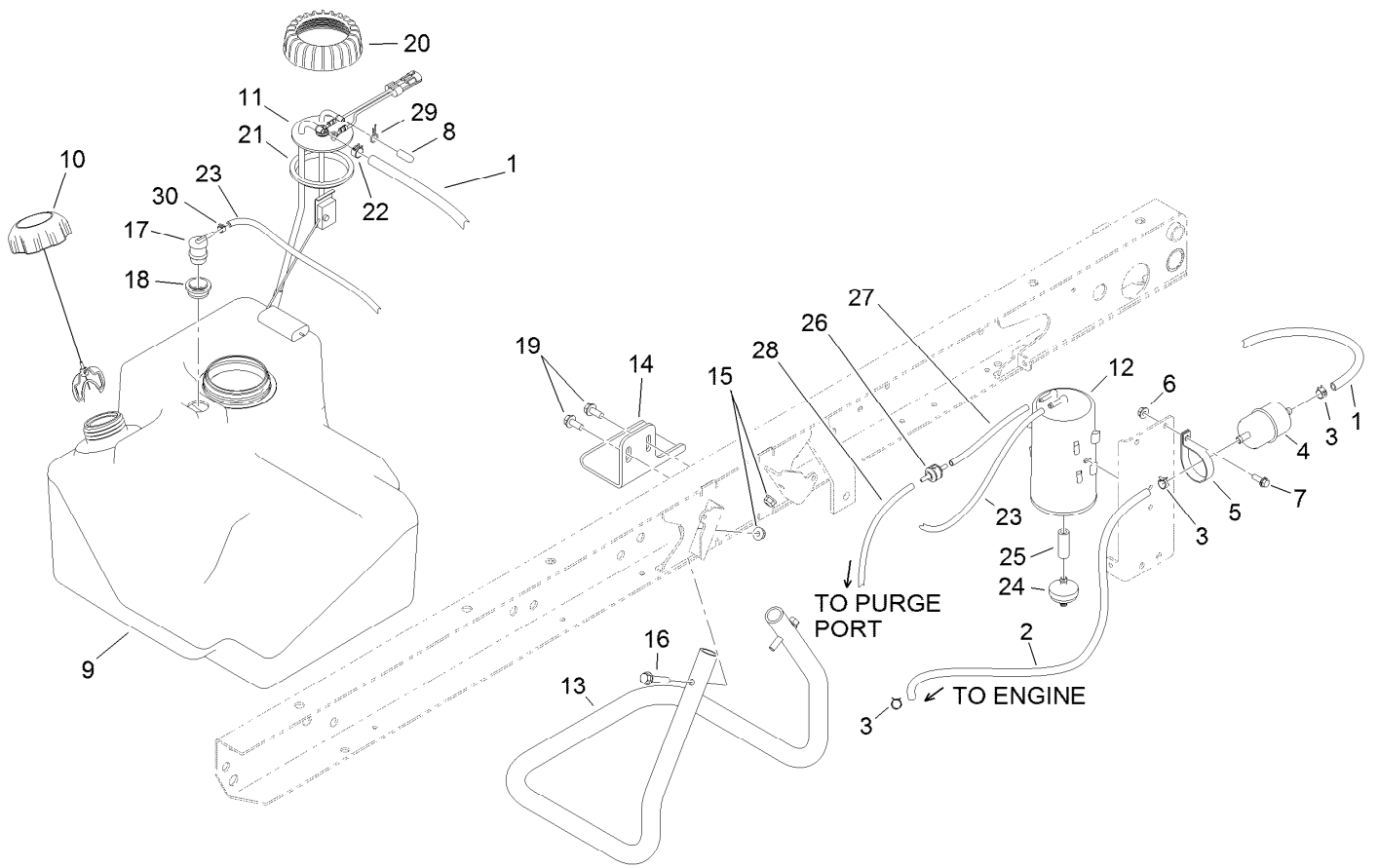
Roll-Over Protection System Assembly

Ref.	Part Number	Qty.	Description
1	3230-18	8	Screw-CARR
2	105-7960	1	Bed Support ASM
2:2	93-9852	1	Decal-Warning
2:3	92-5972	4	Grommet-Rubber
3	115-7910	1	ROPS ASM
3:2	106-7767	2	Decal-ROPS
3:3	93-9850	1	Decal-ROPS, CE
3:4	117-4969	1	Decal-ROPS, ISO
4	104-7050	1	Tube-Manual
5	2412-133	2	Clamp-R
8	115-2213	1	ROPS Cover ASM
8:2	105-4215	1	Decal-Caution
9	32128-20	8	Nut-HF
10	104-7048	1	Cap-Housing
11	3234-38	6	Screw-HHF



Relay Assembly

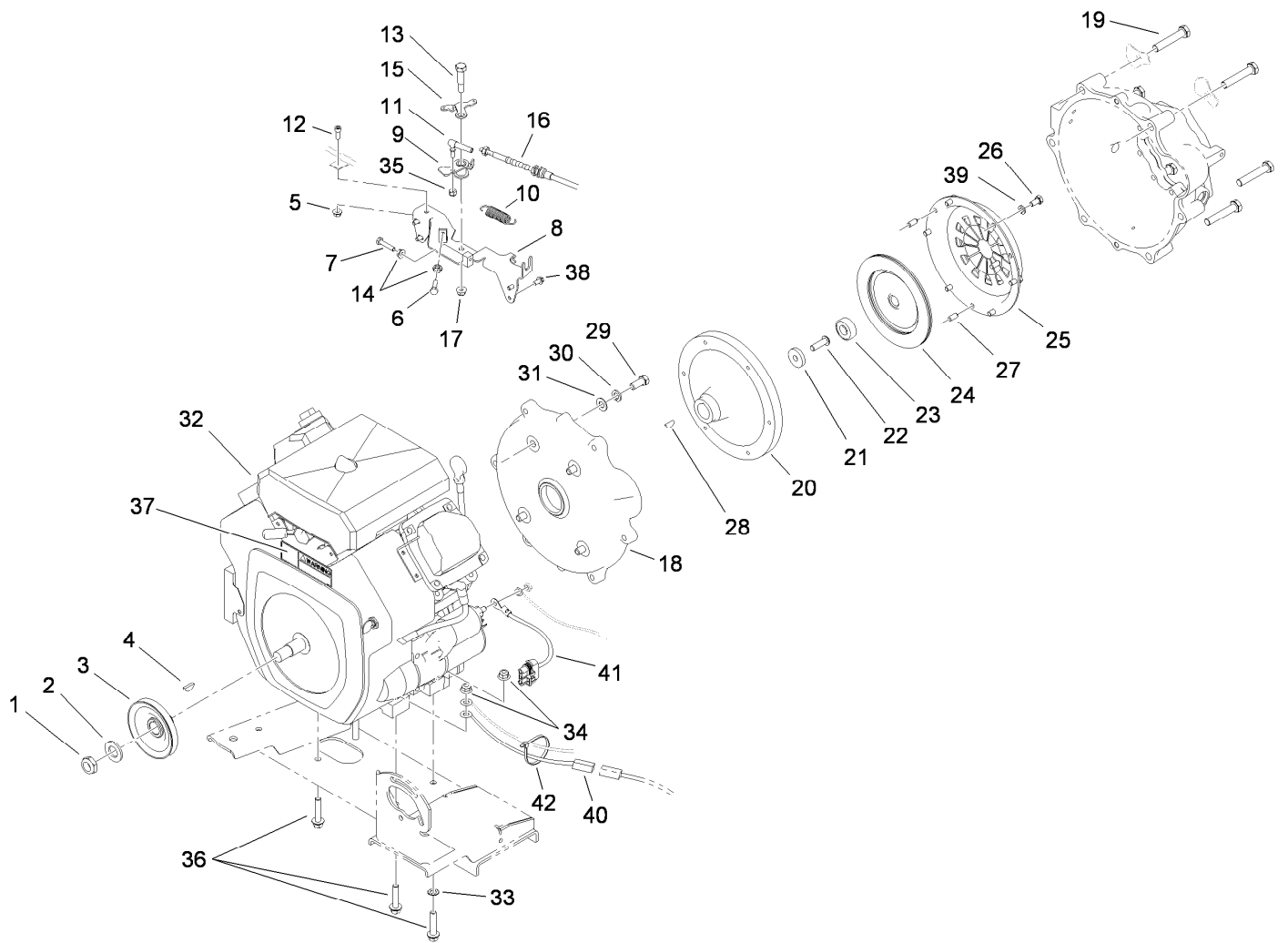
Ref.	Part Number	Qty.	Description
1	99-7435	1	Relay-Power
3	32144-112	3	Screw-HWH
4	115-2225	1	Bracket-Relay
6	99-7430	2	Relay
7	3234-4	2	Screw-HHF
8	107069	2	Clip



Fuel System Assembly

Ref.	Part Number	Qty.	Description
1	110-3372	1	Hose-Fuel
2	109-0281	1	Hose-Fuel
3	2412-98	3	Clamp-Hose
4	108-3854	1	Filter-Fuel
5	2412-148	1	Clamp-R
6	32128-33	1	Nut-HF
7	3234-4	1	Screw-HHF
8	115-2403	1	Cap
9	119-0735	1	Tank-Fuel
10	115-7788	1	Cap-Fuel
11	114-8348	1	Sender-Fuel
12	115-2251	1	Canister-Carbon
13	115-7767-03	1	Tube-Support
14	114-8404	1	Plate-Retainer
15	104-8300	2	Nut-HF, NI

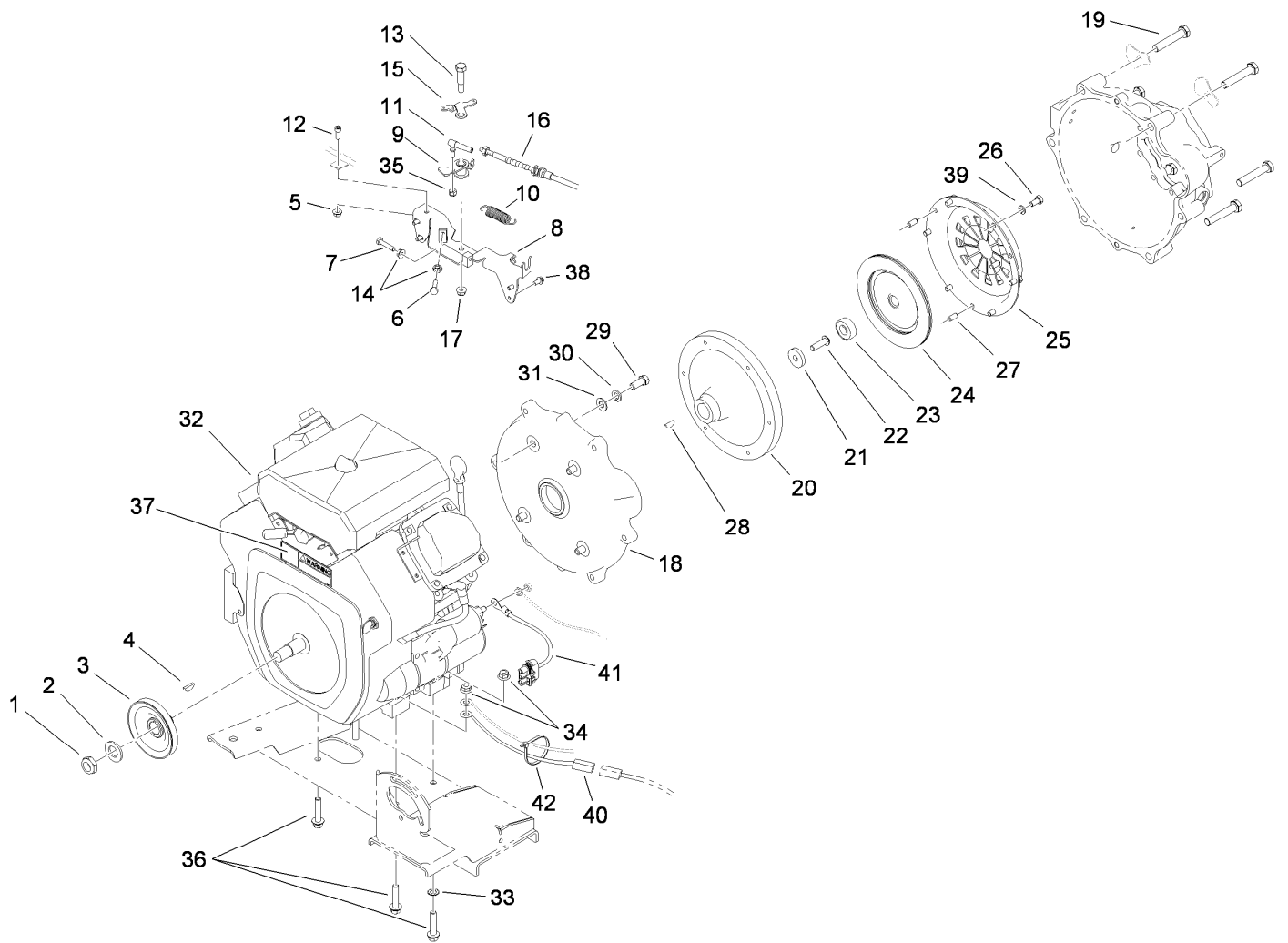
Ref.	Part Number	Qty.	Description
16	94-5780	2	Screw-HWH
17	114-0285	1	Valve-Rollover
18	114-0284	1	Grommet
19	32144-11	2	Screw-HWHTF
20	115-2162	1	Cap-Pump, Fuel
21	115-2163	1	Gasket-Pump, Fuel
22	92-2379	1	Clamp-Hose
23	110-3254	1	Hose-Fuel
24	115-7854	1	Filter-Fuel, Inline
25	106-5317	1	Hose-Fuel
26	115-7868	1	Valve-Check, Vacuum
27	115-7871	1	Hose-Fuel
28	115-7872	1	Hose-Fuel
29	2412-79	1	Clamp-Hose
30	2412-146	1	Clamp-Hose



Engine Assembly

Ref.	Part Number	Qty.	Description	Ref.	Part Number	Qty.	Description
1	3296-15	1	Nut-Lock, NI	19	107-7983	6	Screw-HH
2	3256-28	1	Washer-Flat	20	87-6480	1	Flywheel
3	87-7710	1	Pulley ASM	21	87-6080	1	Washer
4	3257-7	1	Key-Woodruff	22	3274-63	1	Screw-HSBH
5	32128-33	1	Nut-HF	23	87-6460	1	Bearing-Ball (W/Seal)
6	329-6	1	Screw-HH	24	104-9219	1	Disc-Clutch
7	329-7	1	Screw-HH	25	104-9231	1	Plate-Pressure, Clutch
8	87-7780-03	1	Bracket-Throttle	26	33114-016	6	Screw-HH
9	87-7800	1	Lever-Throttle	27	42-7160	3	Pin
10	67-1450	1	Spring-Idler	28	3257-5	1	Key-Woodruff
11	18-1720	1	Ball Joint	29	324-4	4	Screw-HH
12	3274-15	1	Screw-HSH	30	3253-6	4	Washer-Lock
13	7-0030	1	Screw-Shoulder, HH	31	3256-25	4	Washer-Flat
14	3220-1	2	Nut-Jam	32	115-7819	1	Engine-Kohler, Ch680-3025
15	87-7790	1	Lever-Choke	32:1	108-3847	1	Filter-Oil ●
16	115-2286	1	Cable-Accelerator	33	3255-9	1	Washer-Lock
17	104-8300	1	Nut-HF, NI	34	104-8301	4	Nut-HF, NI
18	107-7991	1	Adapter-Clutch	35	3296-3	1	Nut-Lock

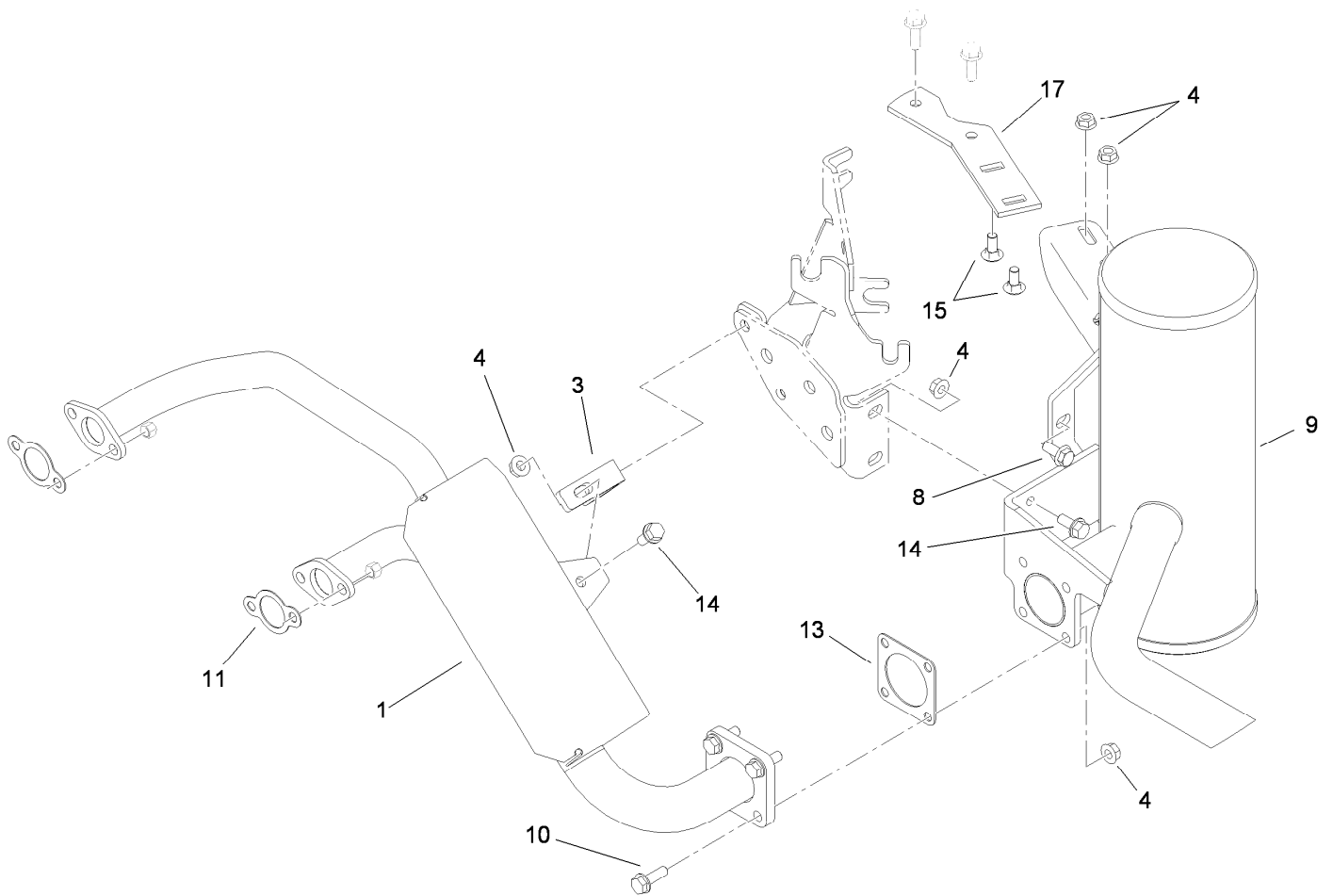
● Not illustrated



Engine Assembly (continued)

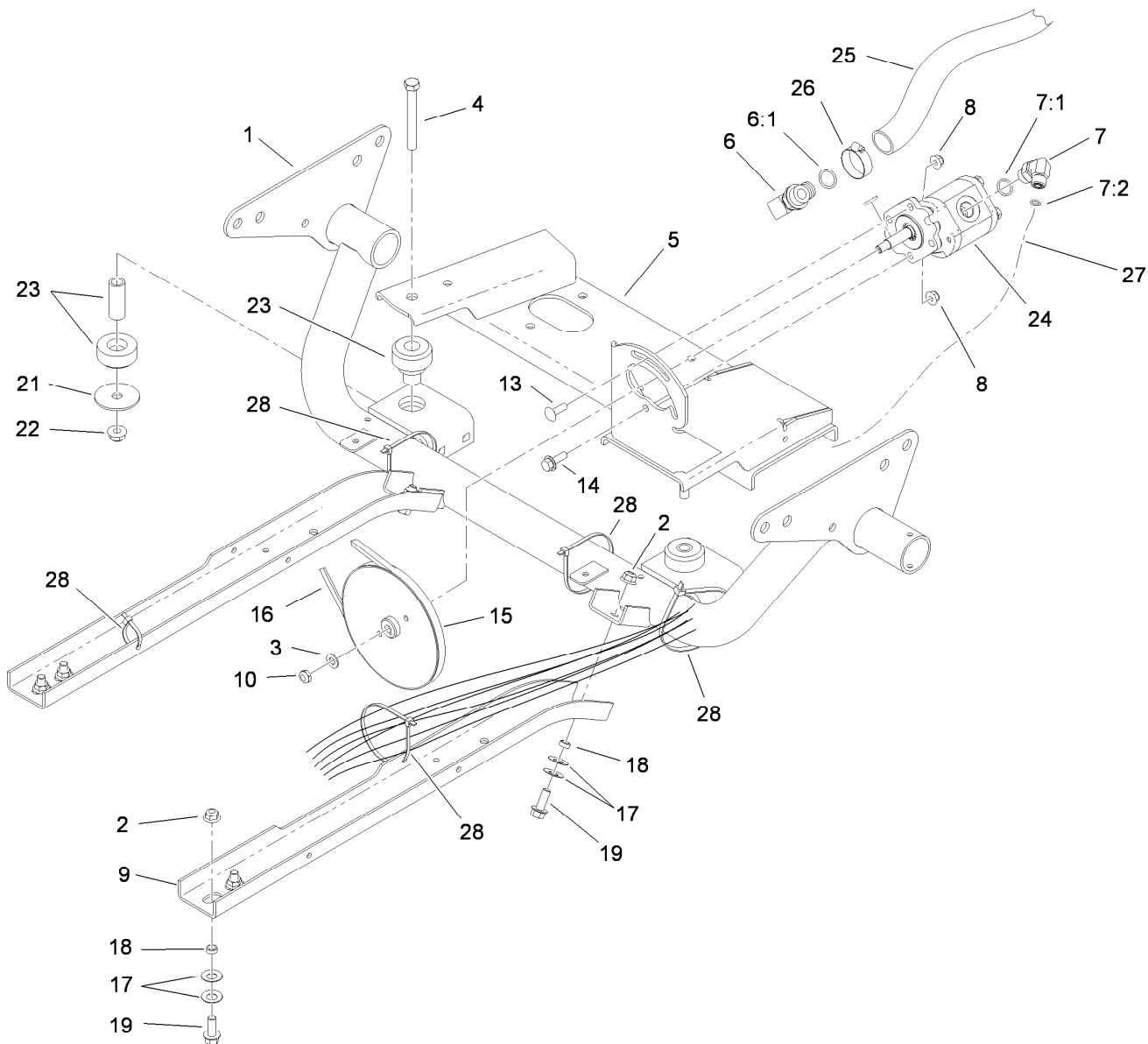
<i>Ref.</i>	<i>Part Number</i>	<i>Qty.</i>	<i>Description</i>	<i>Ref.</i>	<i>Part Number</i>	<i>Qty.</i>	<i>Description</i>
36	3234-19	4	Screw-HHF	40	117-5612	1	Harness-Wire, Ground
37	80-8040	1	Decal-Warning	41	99-3441	1	Harness-Wire, Fusible Link
38	32144-4	4	Screw-HWH	42	3290-379	1	Tie-Cable
39	3253-4	6	Washer-Lock				

● Not illustrated



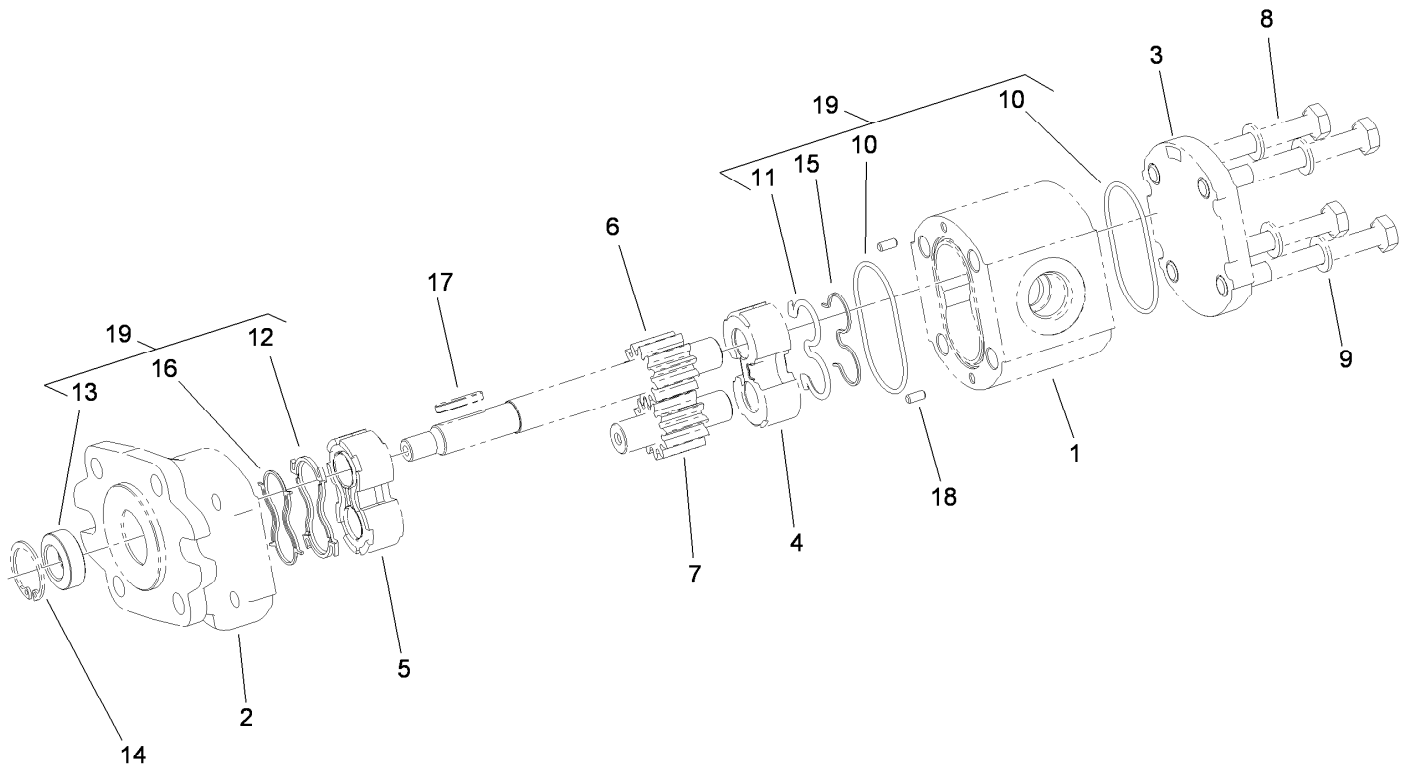
Muffler Assembly

<i>Ref.</i>	<i>Part Number</i>	<i>Qty.</i>	<i>Description</i>
1	106-7855	1	Manifold-Cooled, Air
3	106-7880-03	1	Mount-Angle
4	32128-20	9	Nut-HF
8	98-7977	1	Screw-HHF
9	115-7725	1	Muffler
10	3234-17	4	Screw-HHF
11	93-0350	2	Gasket-Exhaust
13	105-4209	1	Gasket-Muffler
14	3234-5	3	Screw-HHF
15	3230-1	2	Bolt-CARR
17	105-9472	1	Plate-Mount, Muffler



Engine Support Assembly

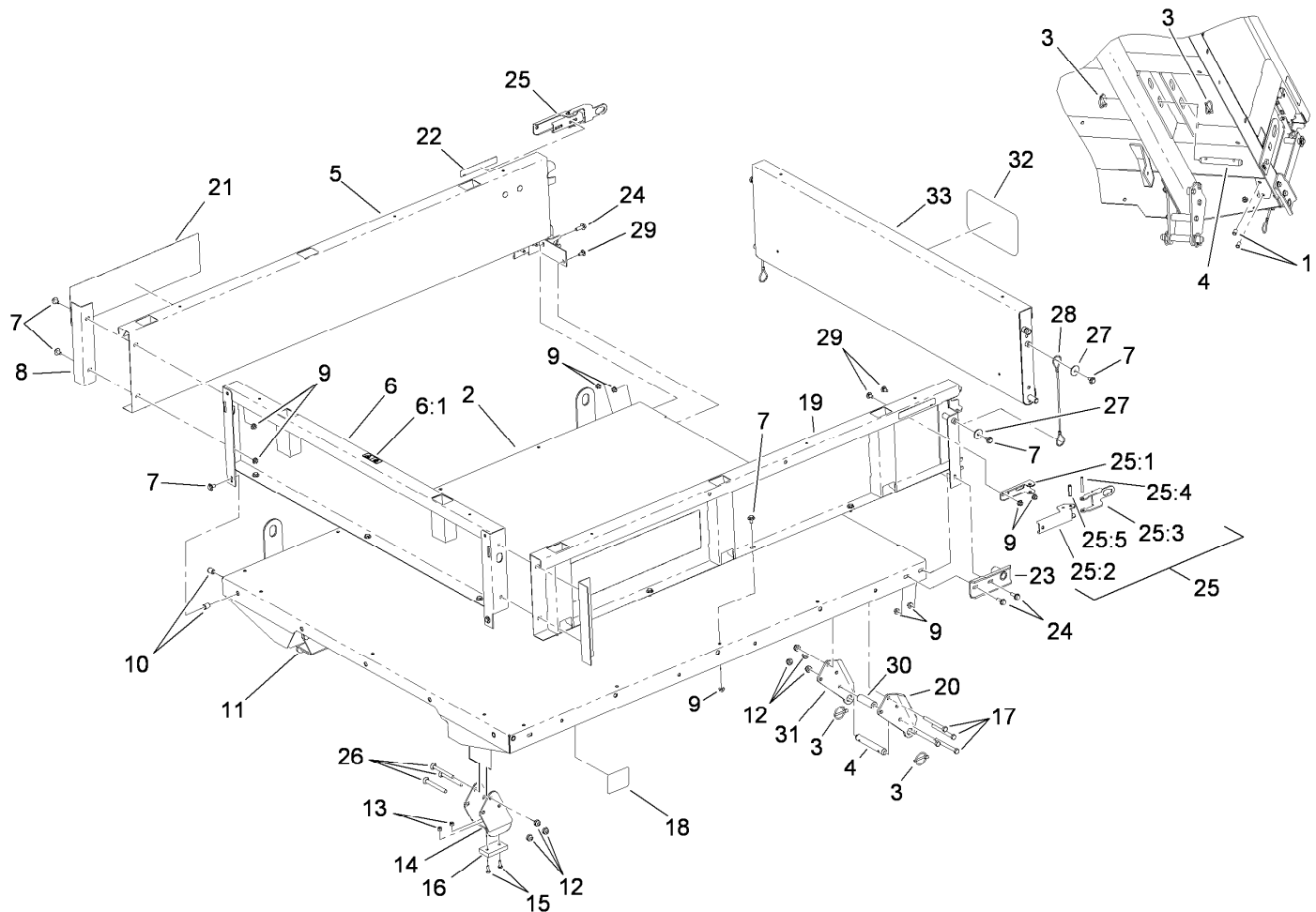
<i>Ref.</i>	<i>Part Number</i>	<i>Qty.</i>	<i>Description</i>	<i>Ref.</i>	<i>Part Number</i>	<i>Qty.</i>	<i>Description</i>
1	115-2257-03	1	Engine Support ASM	14	3234-29	1	Screw-HHF
2	104-8301	6	Nut-HF, NI	15	87-7740	1	Pulley
3	3256-45	1	Washer-Flat	16	87-8370	1	V-Belt
4	324-13	2	Screw-HH	17	3290-413	12	Washer-Belleville
5	115-2352-03	1	Engine Mount ASM	18	76-9100	6	Spacer
6	87-8170	1	Fitting	19	3234-11	6	Screw-HHF
6:1	237-80	1	O-Ring	21	87-5100	2	Washer-Snubbing
7	340-18	1	Fitting-HYD, 90 DEG	22	114-8417	2	Nut-HF, NI
7:1	237-79	1	O-Ring	23	106-7865	2	Mount-Engine
7:2	237-22	1	O-Ring	24	112-2983	1	Pump-Gear, Hydraulic
8	104-8300	2	Nut-HF, NI	25	87-8030	1	Hose-Suction
9	87-4730-03	2	Guard-Belly	26	2412-129	1	Clamp-Hose
10	3296-5	1	Nut-Hex	27	95-0965	1	Hose ASM
13	3230-22	1	Screw-CARR	28	3290-379	5	Tie-Cable



Hydraulic Gear Pump Assembly No. 112-2983

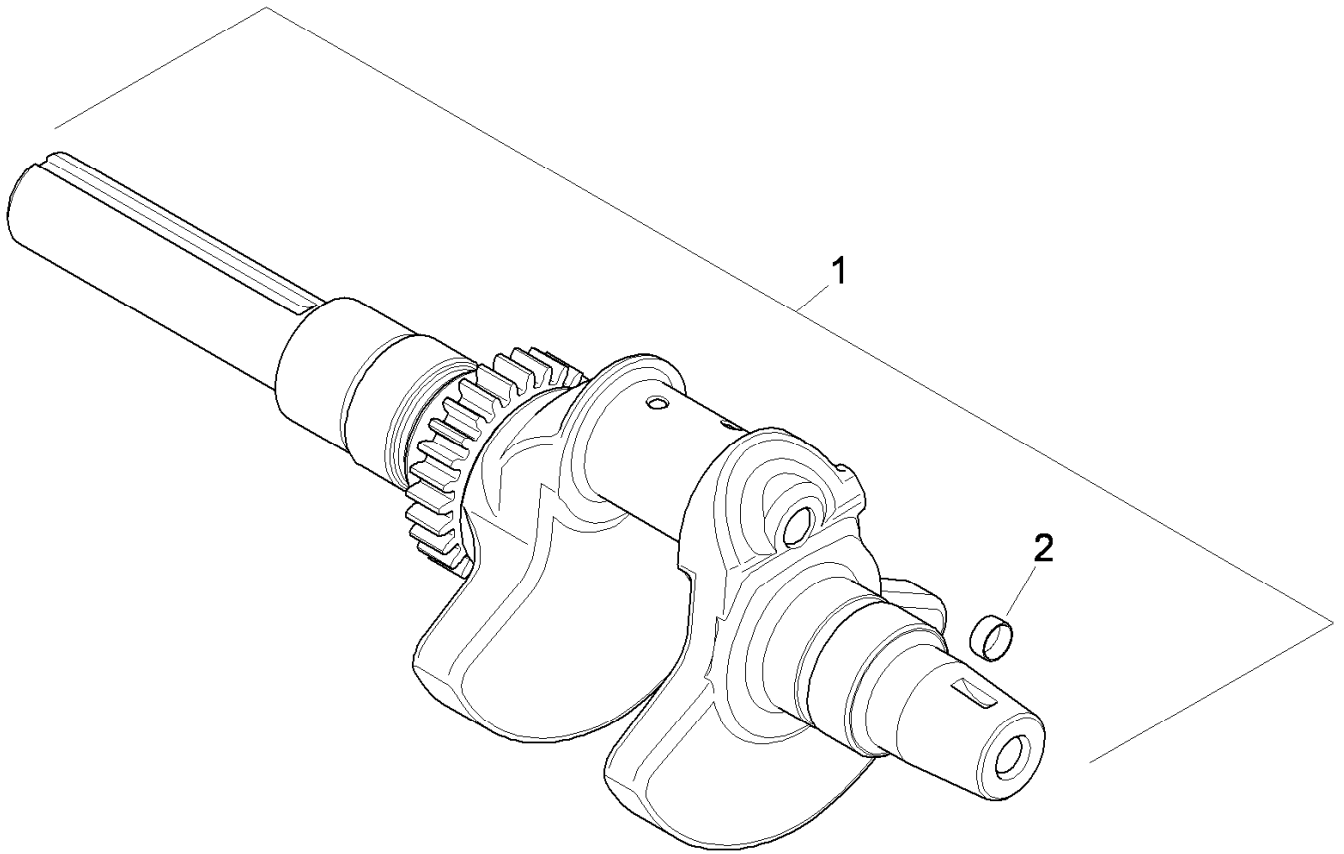
Ref.	Part Number	Qty.	Description	Ref.	Part Number	Qty.	Description
1		1	Body ●	11		1	Seal ●
2		1	Cover-Front ●	12		1	Seal-Upper ●
3		1	Cover-Rear ●	13		1	Seal-Shaft ●
4		1	Plate-Thrust ●	14		1	Ring-Clip ●
5		1	Plate-Thrust, Upper ●	15		1	Seal-Extrusion, Anti ●
6		1	Shaft-Drive ●	16		1	Seal-Extrusion, Anti ●
7		1	Gear-Driven ●	17	115-7856	1	Key-Square
8		4	Screw-HH ●	18		1	Pin-Dowel ●
9		4	Washer ●	19	112-0199	1	Seal Kit
10		2	O-Ring Seal ●				

● Not serviced separately



Full Bed and Side Panel Assembly

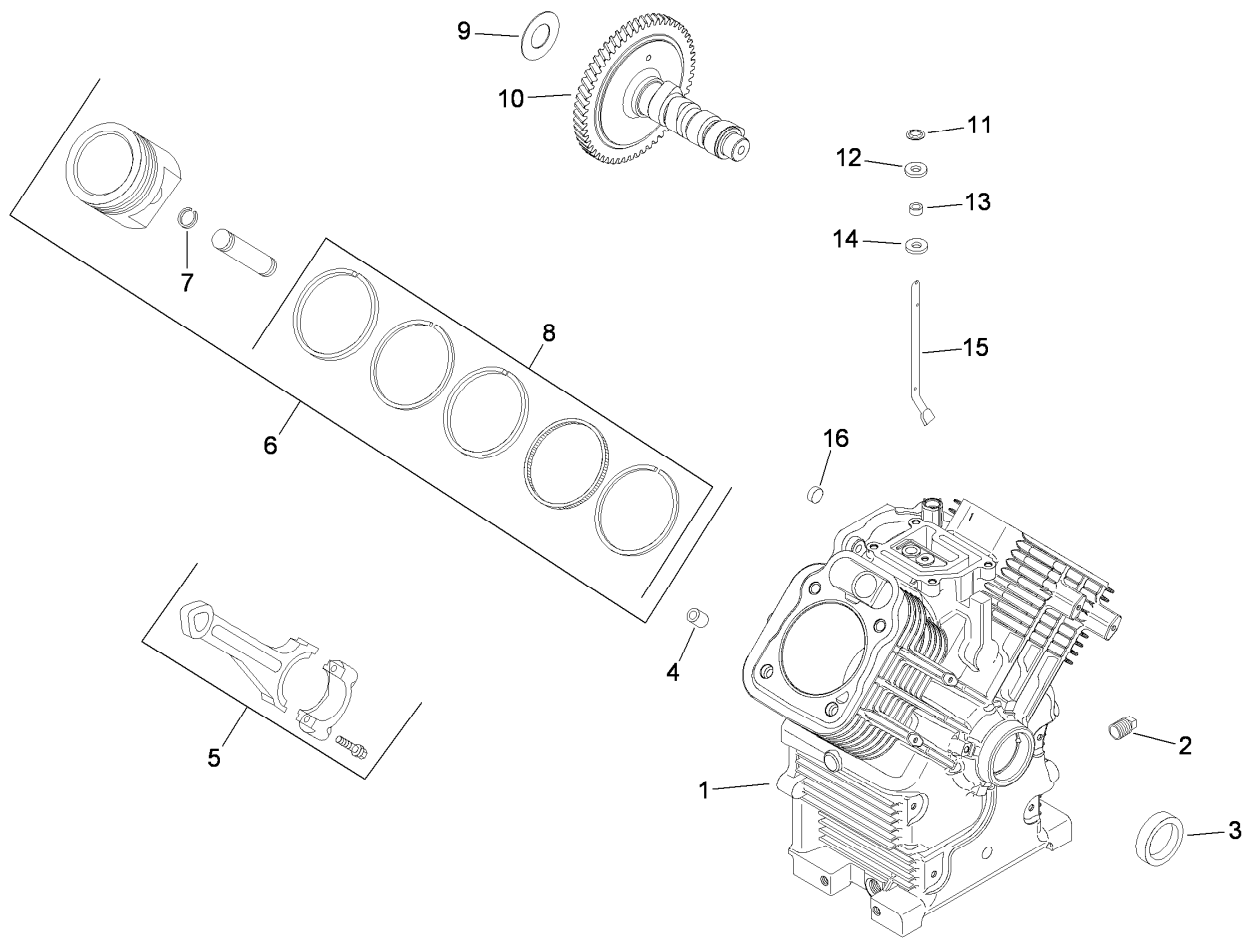
Ref.	Part Number	Qty.	Description	Ref.	Part Number	Qty.	Description
1	32148-6	4	Insert-Nut	20	93-9720-03	2	Bracket-Pivot, Long (LH)
2	93-9724-03	1	Flatbed-Full	21	115-7913	2	Decal
3	92-1298	8	Pin-Lynch	22	93-9868	2	Decal-Caution
4	92-1233	4	Pin-Clevis	23	92-1265-03	2	Bracket-Pivot
5	92-1255-03	1	Panel-Side, RH	24	3234-29	6	Screw-HHF
6	92-5982	1	Front Panel ASM	25	99-1123	2	Latch ASM
6:1	115-7739	1	Decal-No Riders	25:1	92-1271	1	Pivot-Latch
7	3234-7	21	Screw-HHF	25:2	99-1113	1	Handle-Latch
8	92-1320-03	2	Angle-Side	25:3	99-1112	1	Plate-Retainer
9	32128-20	27	Nut-HF	25:4	32121-78	1	Pin-Roll
10	32148-7	4	Nut-Insert	25:5	32121-25	1	Pin-Roll
11	106-2423-03	1	Bracket-Spacer, RH	26	3231-24	6	Screw-CARR
12	3296-44	14	Nut-Lock, NI	27	3256-57	4	Washer-Flat
13	3296-42	4	Nut-Lock, NI	28	93-9595	2	Lanyard
14	106-2422-03	1	Bracket-Spacer, LH	29	3230-18	6	Screw-CARR
15	3250-45	4	Screw-SPH	30	93-9575	2	Tube-Pivot, Flatbed
16	93-9719	2	Block-Wear	31	93-9721-03	2	Bracket-Pivot, Long (RH)
17	323-42	8	Screw-HH	32	105-4222	1	Decal
18	93-9899	2	Decal-Warning	33	92-1259-03	1	Tailgate-Rear
19	92-1248-03	1	Panel-Side, LH				



Crankshaft Assembly Kohler CH680-3025A

<i>Ref.</i>	<i>Part Number</i>	<i>Qty.</i>	<i>Description</i>
1	24 014 26-S	1	Crankshaft (Includes 2) ●
2	52 139 09-S	1	Plug-Cup ●

● Obtain parts from www.kohlerplus.com

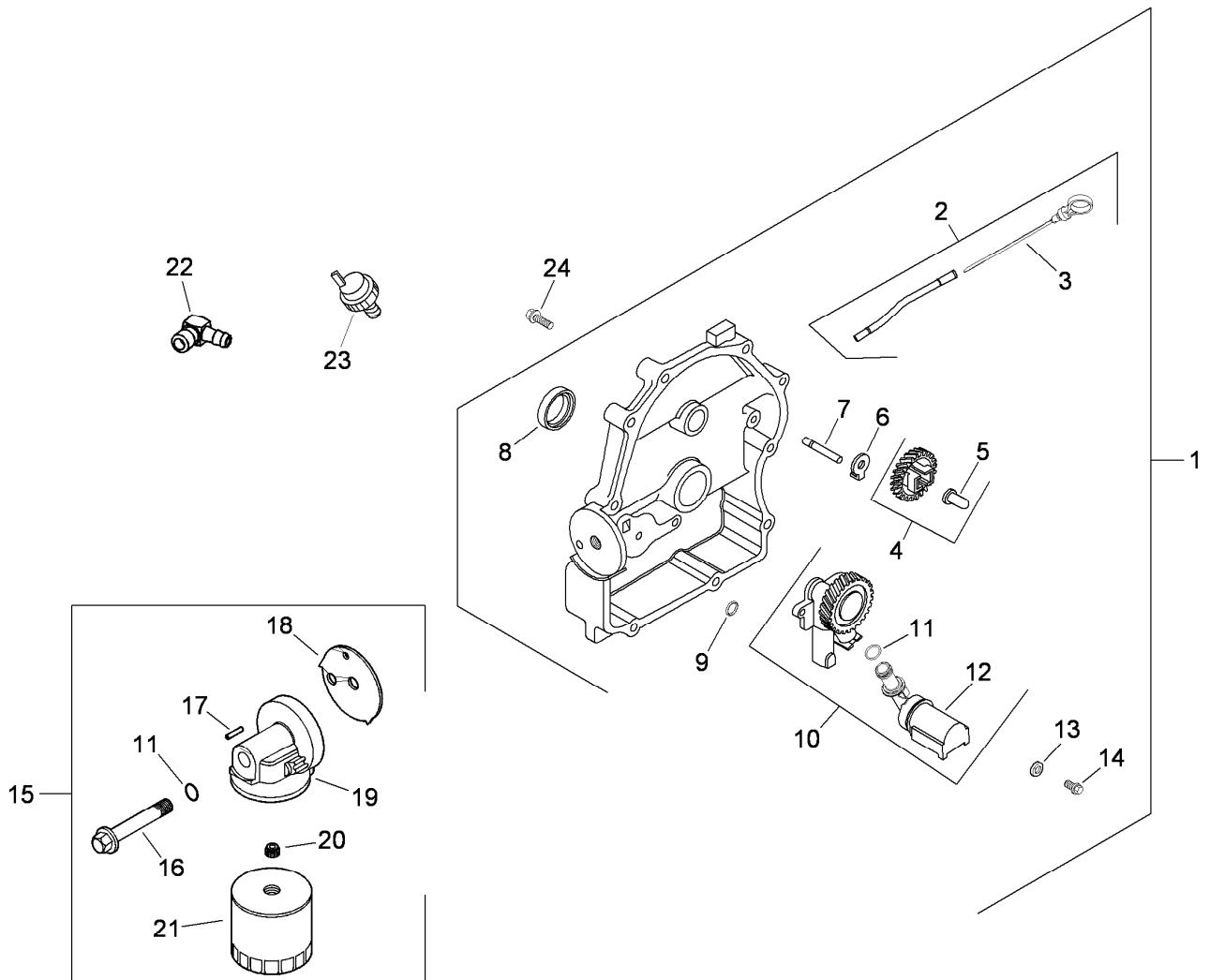


Crankcase Assembly Kohler CH680-3025A

Ref.	Part Number	Qty.	Description	Ref.	Part Number	Qty.	Description
1	24 782 27	1	Miniblock ASM ■	9	12 422 08-S	1	Shim-Camshaft (Blue .03) ■
1	24 522 301	1	Short Block ASM ■	9	12 422 09-S	1	Shim-Camshaft (Red .032) ■
2	25 139 57-S	2	Plug-Pipe, Sq HD (3/8) ■	9	12 422 10-S	1	Shim-Camshaft (Yellow .034) ■
3	24 032 19-S	1	Seal-Oil (Helix Lip) ■	9	12 422 11-S	1	Shim-Camshaft (Green .036) ■
4	24 380 16-S	6	Pin-Locating ■	9	12 422 12-S	1	Shim-Camshaft (Gray .038) ■
5	24 067 24-S	2	Rod-Connecting (STD) ■	9	12 422 13-S	1	Shim-Camshaft (Black .04) ■
5	24 067 25-S	2	Rod-Connecting (.25) ■	10	24 012 10-S	1	Camshaft Kit ■
6	24 874 34-S	2	Piston W/Ring Set (STD, 80Mm) (Includes Ref 7, 8) ■	11	24 018 09-S	1	Retainer-Ring ■
6	24 874 35-S	2	Piston W/Ring Set (.08) (Includes Ref 7, 8) ■	12	M-931010-S	1	Washer-Flat (9Mm) ■
6	24 874 36-S	2	Piston W/Ring Set (.25) (Includes Ref 7, 8) ■	13	28 032 09-S	1	Seal-Cross Shaft, Governor ■
6	24 874 37-S	2	Piston W/Ring Set (.50) (Includes Ref 7, 8) ■	14	24 468 15-S	1	Washer-Flat (11/32) ■
7	24 018 01-S	4	Retainer-Pin, Piston ■	15	24 144 38-S	1	Shaft-Cross, Governor ■
8	24 108 18-S	2	Piston Ring Set (STD) ■	16	52 139 09-S	1	Plug-Cup ■
8	24 108 19-S	2	Piston Ring Set (.08) ■		25 357 14-S	1	Lubricant-Camshaft ■●
8	24 108 20-S	2	Piston Ring Set (.25) ■		24 755 108-S	1	Gasket Set ■●
8	24 108 21-S	2	Piston Ring Set (.50) ■				
9	12 422 07-S	1	Shim-Camshaft (White .028) ■				

● Not illustrated

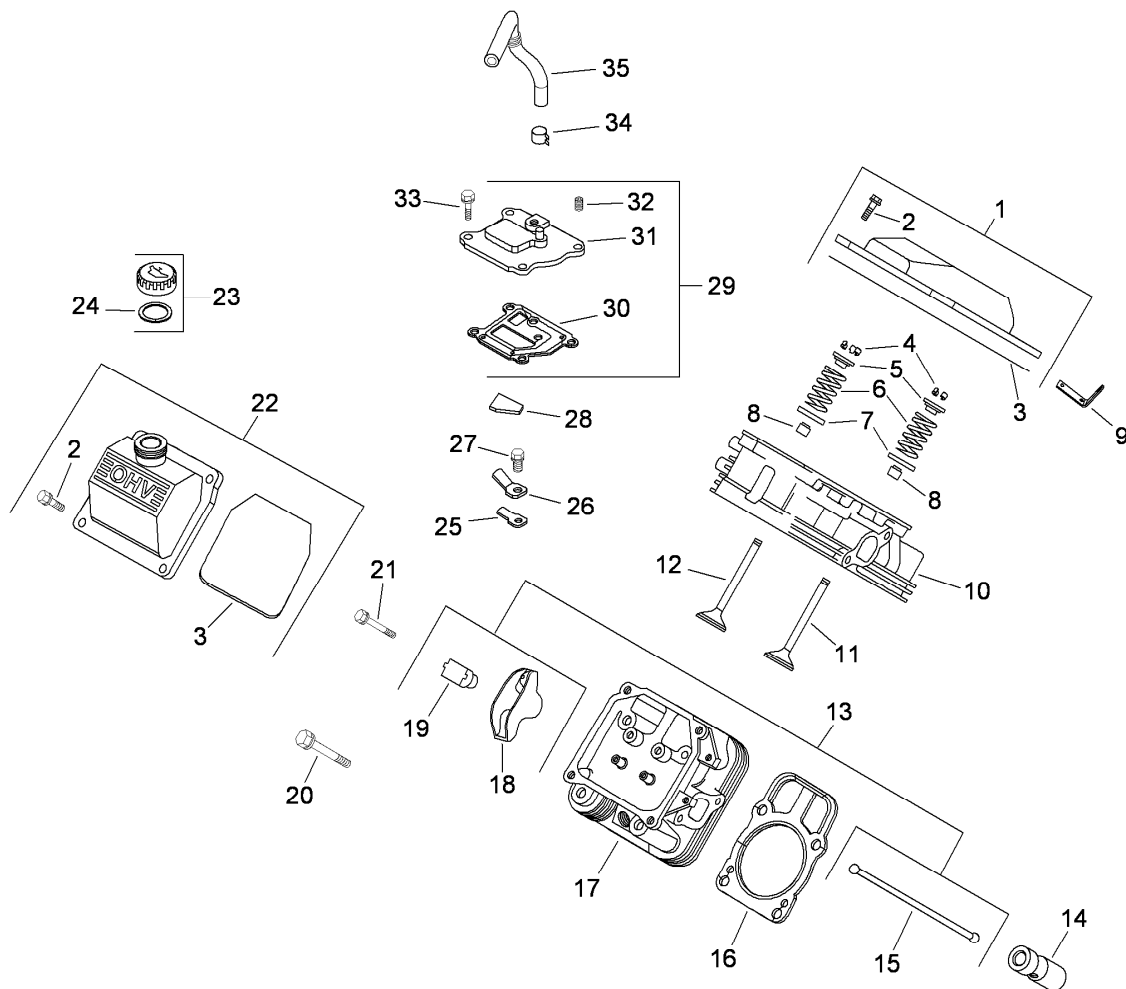
■ Obtain parts from www.kohlerplus.com



Oil Pan and Lubrication Assembly Kohler CH680-3025A

Ref.	Part Number	Qty.	Description	Ref.	Part Number	Qty.	Description
1	24 009 167-S	1	Closure Plate And Bearing ASM (Includes Ref 2-14) ●	13	M-631005-S	2	Washer-Flat (6 Mm) ●
2	24 755 121-S	1	Dipstick And Dipstick Tube ASM (Includes Ref 3) ●	14	M-645025-S	2	Screw-Flange, Thread Forming (M6X1.0X25) ●
3	24 038 10-S	1	Dipstick ●	15	24 702 01-S	1	Oil Filter Base Kit (Includes Ref 11, 16-21) ●
4	24 043 12-S	1	Governor Gear W/Pin Kit (Includes Ref 5) ●	16	24211 01-S	1	Bolt-Adapter, Oil Filter ●
5	12 380 01-S	1	Pin-Regulating, Governor ●	17	24 380 09-S	1	Pin-Roll ●
6	24 448 02-S	1	Tab-Locking ●	18	24 041 29-S	1	Gasket-Adapter, Oil Filter ●
7	12 144 02-S	1	Shaft-Gear, Governor ●	19	24 029 77-S	1	Adapter-Filter, Oil ●
8	25 032 06-S	1	Seal-Oil ●	20	24 136 01-S	1	Nipple-Filter, Oil ●
9	24 153 08-S	1	O-Ring ●	21	12 050 01-S	1	Filter-Oil ●
10	24 393 51-S	1	Oil Pump ASM (Includes Ref 11, 12) ●	22	25 155 02-S	1	Connector-Hose, 90 Deg ●
11	24 153 01-S	2	O-Ring ●	23	25 099 27-S	1	Switch-Pressure, Oil ●
12	24 381 04-S	1	Tube-Pick Up, Oil ●	24	24 086 17-S	10	Screw-Flange (M8X1.25X45) ●

● Obtain parts from www.kohlerplus.com

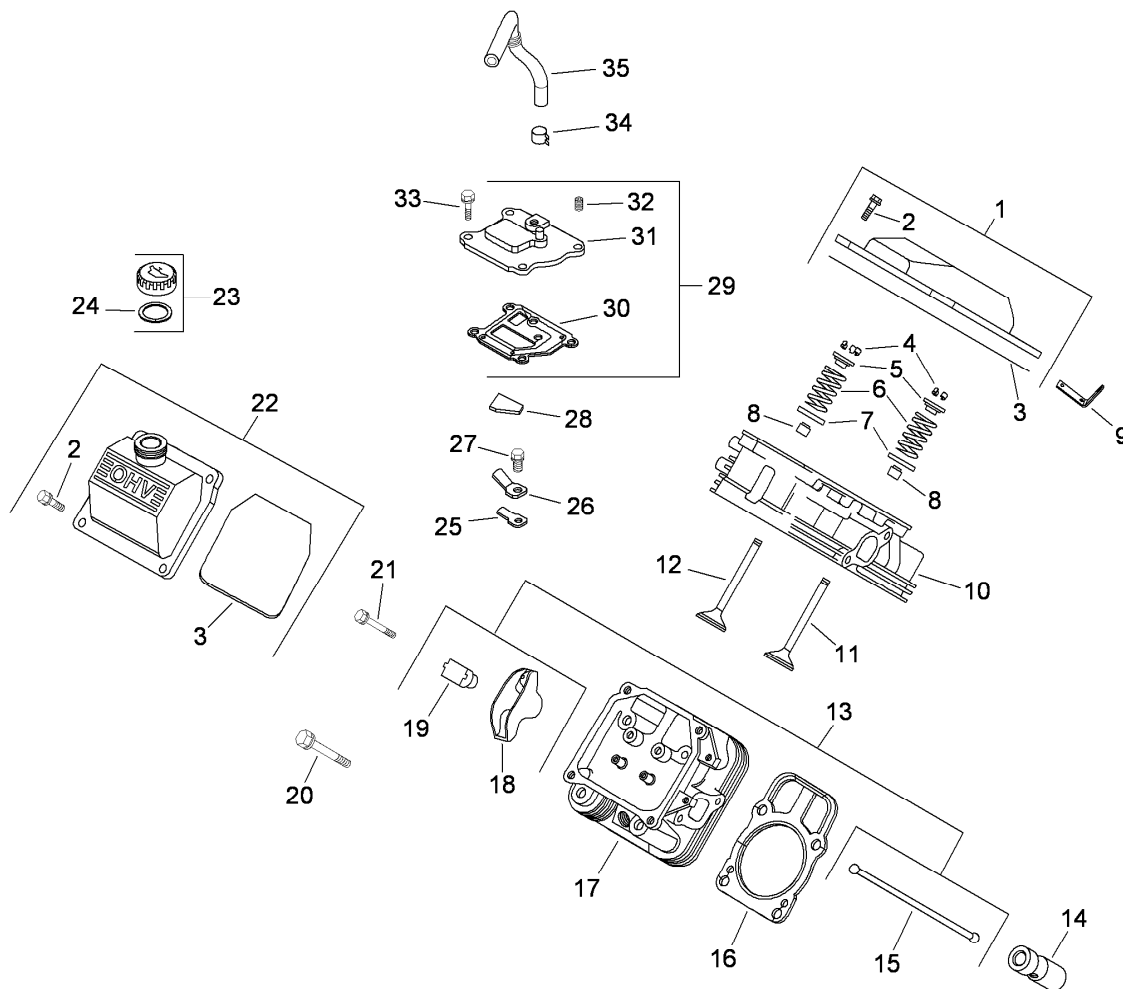


Head, Valve and Breather Assembly Kohler CH680-3025A

Ref.	Part Number	Qty.	Description	Ref.	Part Number	Qty.	Description
1	24 755 141-S	1	Plain Rocker Cover Kit (Includes Ref 2, 3) ■	17	24 318 115-S	1	Cylinder Head ASM (No.2) ■
2	M-651030-S	8	Screw-Flange (M6X1.0X30) ■	18	25 186 01-S	4	Arm-Rocker ■
3	24 153 30-S	2	O-Ring ■	19	24 599 02-S	4	Pivot-Arm, Rocker ■
4	12 755 03-S	4	Retainer Kit ■	20	12 086 16-S	8	Screw-Flange (M10X1.5X90) ■
5	12 173 01-S	4	Cap-Spring, Valve ■	21	M-640034-S	4	Screw-Flange (M6X1.0X34) ■
6	24 089 02-S	4	Spring-Valve ■	22	24 755 140-S	1	Oil Fill Rocker Cover Kit (Includes Ref 2, 3) ■
7	235011-S	4	Retainer-Spring ■	23	24 755 46-S	1	Oil Fill Cap Kit (Yellow) (Includes Ref 24) ■
8	66 032 05-S	2	Seal-Stem, Valve ■	24	25 153 02-S	1	O-Ring ■
9	25 445 01-S	2	Strap-Lifting ■	25	24 402 03-S	1	Reed-Breather ■
10	24 318 107-S	1	Cylinder Head ASM (No.1) (Includes 25 072 04-S) ■	26	66 018 04-S	1	Retainer-Reed ■
11	24 017 01-S	2	Valve-Intake (STD) ■	27	M-545010-S	1	Screw-HHFTF (M5X.80X10) ■
11	24 017 02-S	2	Valve-Intake (.25) ■	28	24 050 11-S	1	Filter-Breather ■
12	24 016 01-S	2	Valve-Exhaust (STD) ■	29	24 033 01-S	1	Breather ASM (Includes 30-33) ■
12	24 016 02-S	2	Valve-Exhaust (.25) ■	30	24 041 51-S	1	Gasket-Breather ■
13	24 755 66-S	1	Valve Train Kit (Includes Ref 15, 18, 19) ■	31	24 096 86-S	1	Cover-Breather ■
14	25 351 04-S	4	Hydraulic Valve Lifter Kit (Includes 25 357 14-S) ■	32	25 139 60-S	1	Plug-Pipe, Countersunk (1/8) ■
15	24 411 05-S	4	Rod-Push ■				
16	24 841 02-S	2	Cylinder Head Gasket Kit ■				

● Not illustrated

■ Obtain parts from www.kohlerplus.com

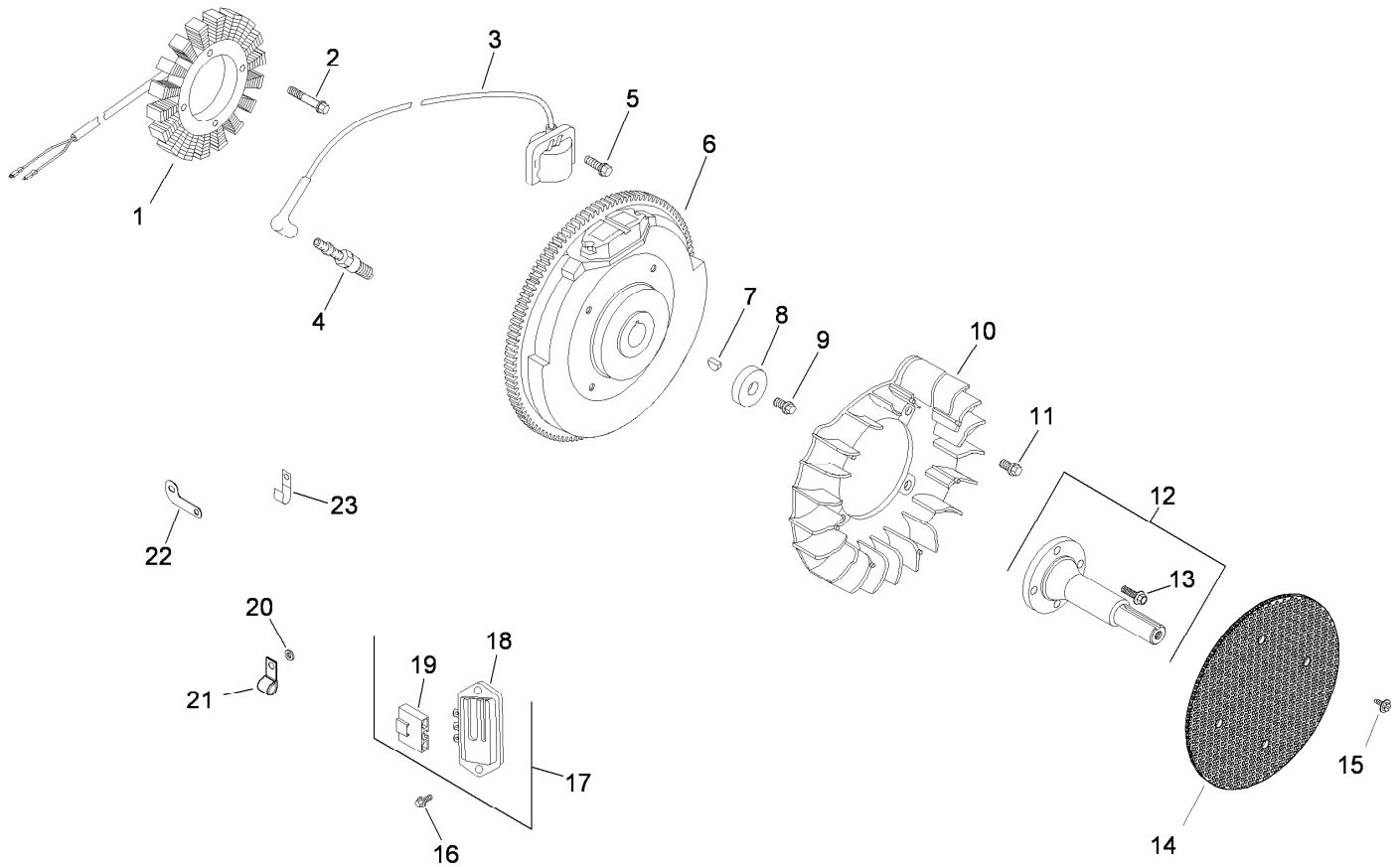


Head, Valve and Breather Assembly Kohler CH680-3025A (continued)

Ref.	Part Number	Qty.	Description	Ref.	Part Number	Qty.	Description
33	M-645020-S	4	Screw-HHFTF (M6X1.0X20) ■	24 041 01-S	1	Gasket-Manifold, Intake ■●	
34	25237 14-S	1	Clamp-Hose (1/2) ■	24 041 49-S	1	Gasket-Exhaust ■●	
35	24 326 89-S	1	Hose-Breather ■	24 086 44-S	4	Screw-HF ■●	
	24 755 147-S	2	Cylinder Head Hardware Kit ■●	24 100 10-S	4	Nut-Flange (M8X1.25) ■●	
	25 072 04-S	2	Stud (M8X1.25X33) ■●	24 153 27-S	1	O-Ring (Intake Port) ■●	
				24 468 16-S	4	Washer-Flat (8.6 Mm) ■●	
				25 357 14-S	1	Lubricant-Camshaft ■●	

● Not illustrated

■ Obtain parts from www.kohlerplus.com

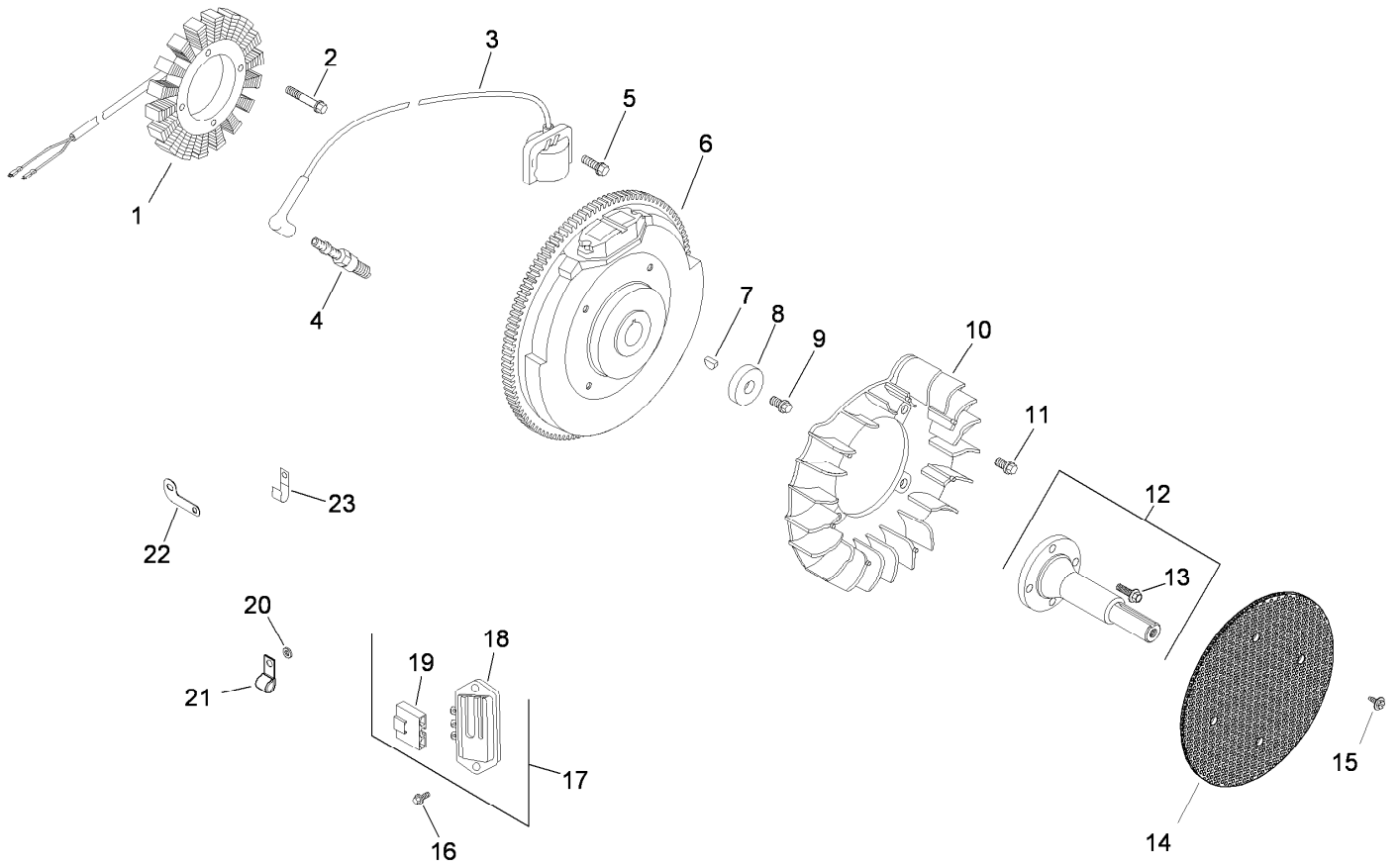


Ignition and Electrical Assembly Kohler CH680-3025A

Ref.	Part Number	Qty.	Description	Ref.	Part Number	Qty.	Description
1	28 085 02-S	1	Stator ASM (25 Amp) ■	12	24 144 17-S	1	Shaft-Drive, Front (Includes Ref 13) ■
2	M-545030-S	2	Screw-Cap, Hex (M5X0.8X30) ■	13	M-839025-S	4	Screw-HF (M8X1.25X25) ■
3	24 584 45-S	2	Module-Ignition (C D I Fixed) ■	14	24 162 43-S	1	Screen-Grass ■
4	12 132 02-S	2	Spark Plug ■	15	25 086 126-S	4	Screw-Dog Point, Sems ■
5	M-545020-S	4	Screw-Flange, Thread Forming (M5X.8X20) ■	16	25 086 157-S	2	Screw-Hex Flange, Hi-Lo ■
6	24 025 55-S	1	Flywheel ASM ■	17	24 755 144-S	1	Full Wave Conversion Kit (Includes Ref 18, 19) ■
7	X-42-15-S	1	Key (3/16 X 5/8) ■	18	25 403 05-S	1	Rectifier-Regulator (15 Amp) ■
8	12 468 03-S	1	Washer-Flat (13/32) ■	19	25 155 41-S	1	Connector (3 Contact) ■
9	12 086 14-S	1	Screw-Flange (M10X1.5X45) ■	20	X-25-63-S	1	Washer-Flat (1/4) ■
10	24 157 11-S	1	Fan ■	21	210281-S	1	Clip ■
11	25 086 47-S	4	Bolt-Shoulder (M6X1.0X16) ■	22	24 126 137-S	1	Bracket-Strap, Ground ■
				23	235173-S	1	Clip-Cable ■
					24 176 92-S	1	Harness-Wiring ■●

● Not illustrated

■ Obtain parts from www.kohlerplus.com

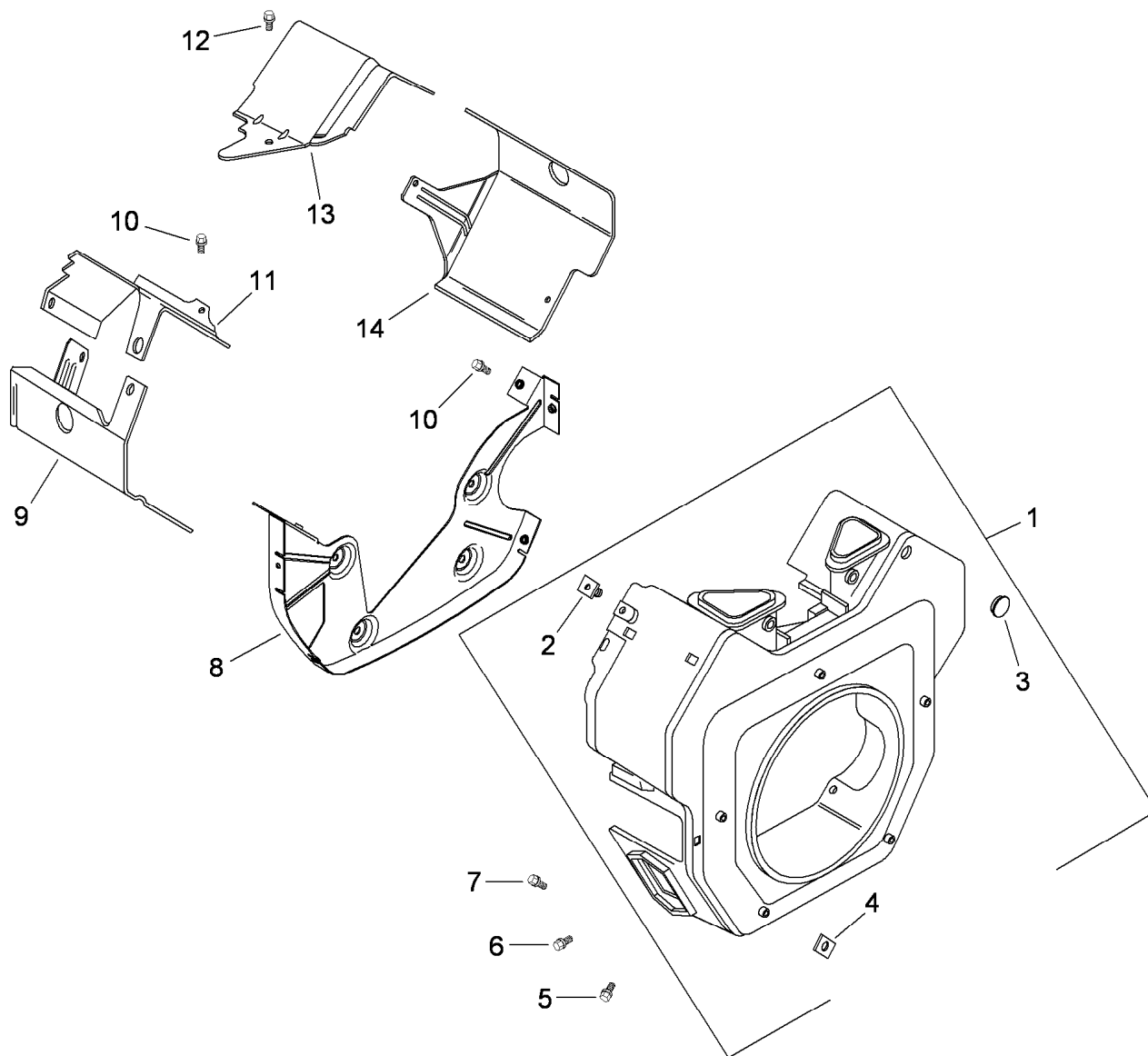


Ignition and Electrical Assembly Kohler CH680-3025A (continued)

Ref.	Part Number	Qty.	Description
	25 454 07-S	2	Tie-Wire ■●
	25 518 34-S	1	Lead ■●

● Not illustrated

■ Obtain parts from www.kohlerplus.com

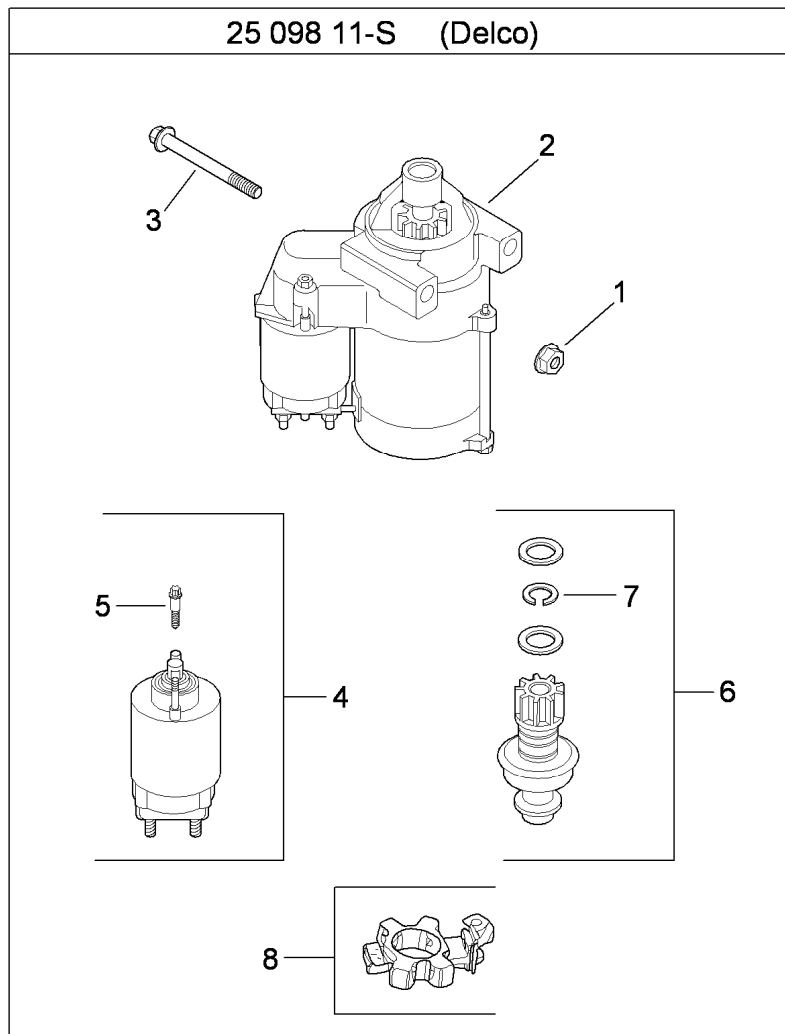


Blower Housing Assembly Kohler CH680-3025A

<i>Ref.</i>	<i>Part Number</i>	<i>Qty.</i>	<i>Description</i>	<i>Ref.</i>	<i>Part Number</i>	<i>Qty.</i>	<i>Description</i>
1	24 027 175-S	1	Blower Housing ASM (Includes Ref 2-4, 41 037 10-S) ■	9	24 063 88-S	1	Baffle-Barrel, Cylinder (No. 2 Side) ■
2	24 100 02-S	2	Nut-Plastic ■	10	M-645016-S	6	Screw-Flange, Thread Forming (M6X1.0X16) ■
3	25 139 16-S	1	Plug-Button (9/16) ■	11	24 063 70-S	1	Baffle-Valley (No. 2 Side) ■
4	24 100 01-S	3	Nut-Plastic ■	12	M-545010-S	2	Screw-HHFTF (M5X.80X10) ■
5	M-561016-S	1	Screw-Flange, Thread Forming (M5X.80X16) ■	13	24 063 59-S	1	Baffle-Valley (No. 1 Side) ■
6	M-545016-S	3	Screw-Flange, Thread Forming (M5X0.8X16) ■	14	24 063 85-S	1	Barrel-Cylinder (No.1 Side) ■
7	M-545020-S	2	Screw-Flange, Thread Forming (M5X.8X20) ■		25 154 11-S	1	Clip-Repair (Speed Nut) ■●
8	24 146 55-S	1	Plate-Backing ■		41 037 10-S	1	Nameplate-Service ■●

● Not illustrated

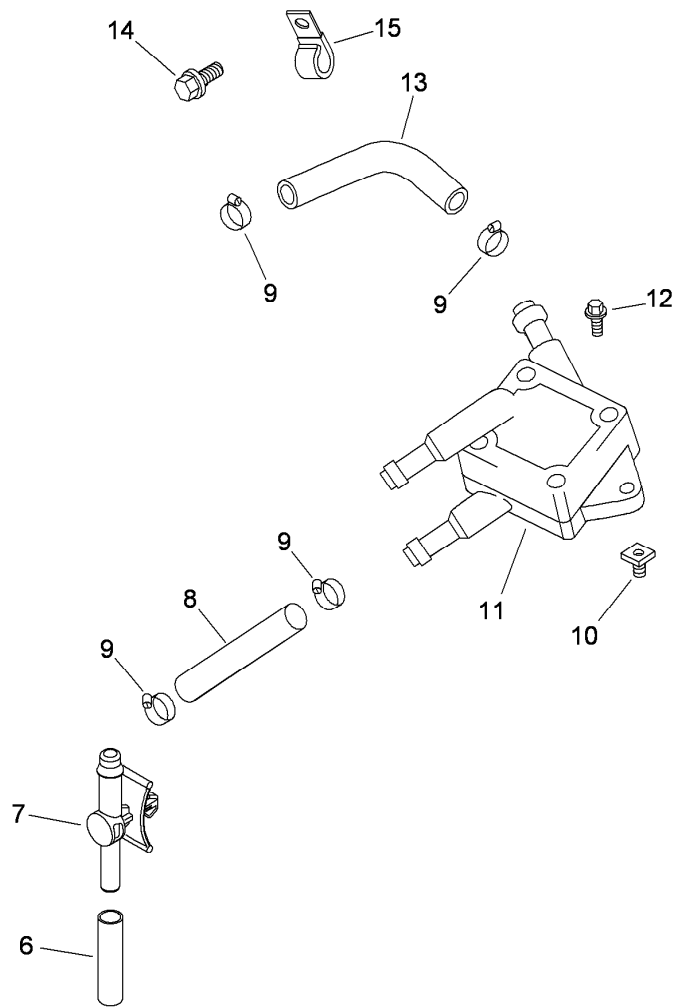
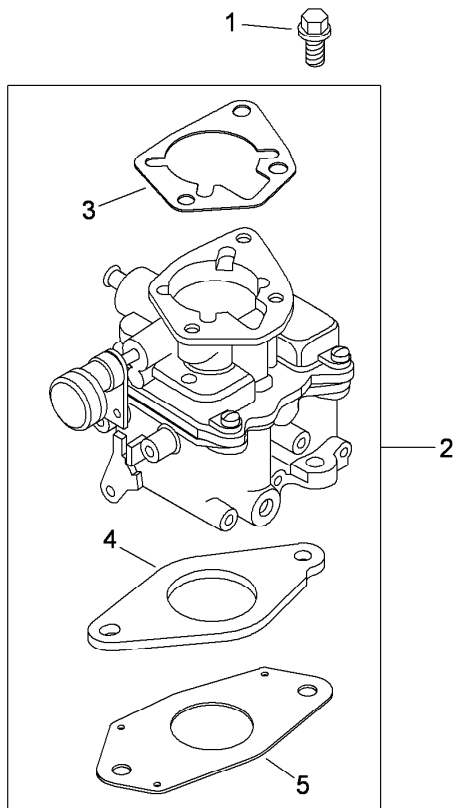
■ Obtain parts from www.kohlerplus.com



Starter Assembly Kohler CH680-3025A

Ref.	Part Number	Qty.	Description
1	M-841080-S	1	Nut-Flange (M8X1.25) ●
2	25 098 11-S	1	Starter ASM (Solenoid Shift) ●
3	M-851080-S	2	Screw-Flange (M8X1.25X80) ●
4	25 435 06-S	1	Solenoid Kit (Includes Ref 5) ●
5	25 086 113-S	3	Screw-Torx Head, External ●
6	25 755 33-S	1	Starter Pinion Drive Kit (Includes Ref 7) ●
7	25 141 05-S	1	Ring-Retaining ●
8	25221 01-S	1	Brush Holder Kit ●

● Obtain parts from www.kohlerplus.com



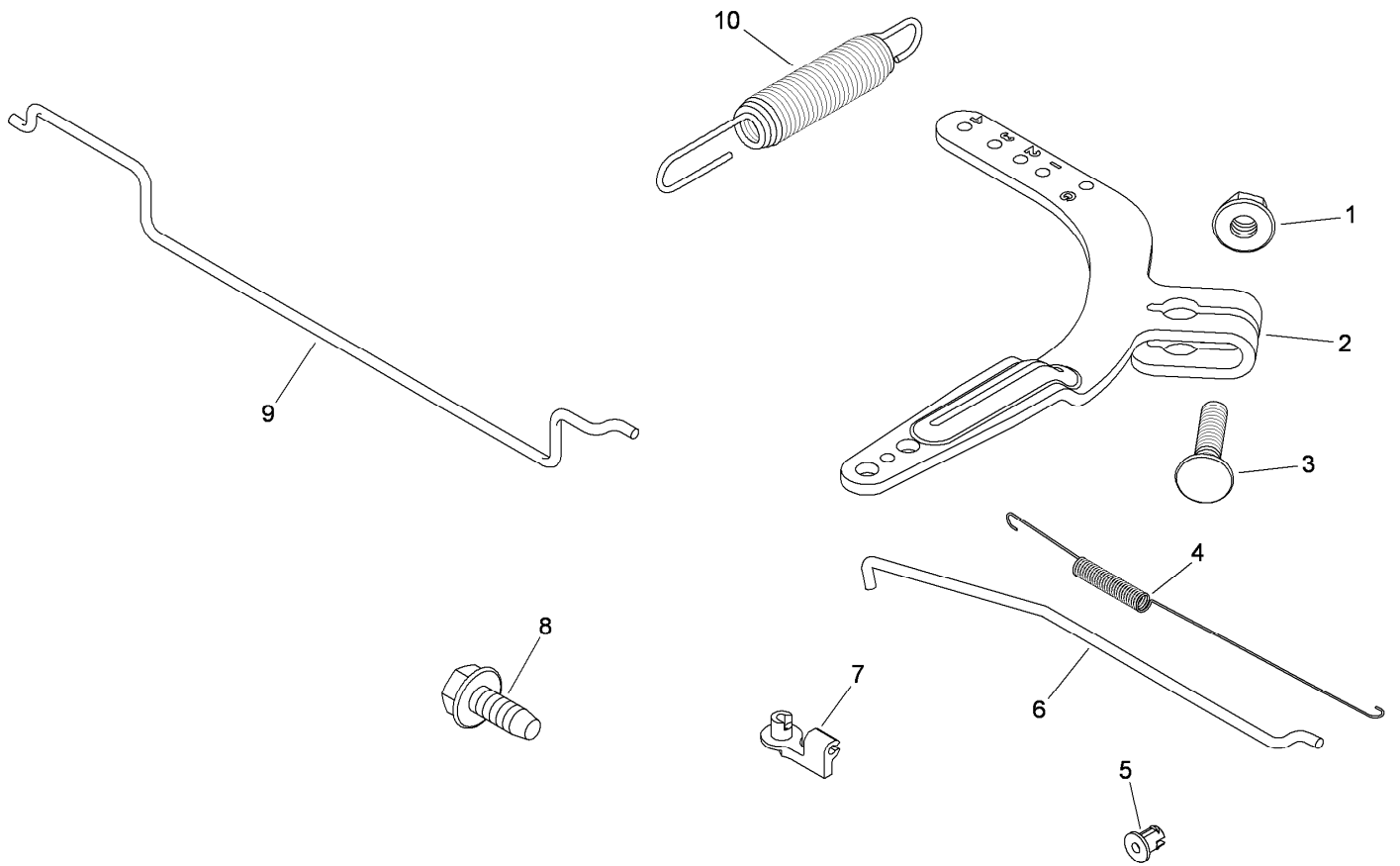
Fuel System Assembly Kohler CH680-3025A

Ref.	Part Number	Qty.	Description
1	25 086 124-S	2	Screw-Flange (M6X1.0X25) ■
2	24 853 159-S	1	Carburetor Kit (Tier 111) (Includes Ref 3-5) ■
3	24 041 06-S	1	Gasket-Base, Air Cleaner ■
4	24 041 17-S	1	Gasket-Carburetor ■
5	24 041 53-S	1	Gasket-Carburetor ■
6	25 173 23-S	1	Cap-Masking ■
7	25 155 40-S	1	Connector (S A I) ■
8	25 111 34-S	1	Line-Fuel (24.0 Cut To Length) ■

Ref.	Part Number	Qty.	Description
9	25237 14-S	2	Clamp-Hose (1/2) ■
10	25 100 37-S	2	Nut-Plastic (Black) ■
11	24 393 16-S	1	Pump-Fuel ■
12	24 086 12-S	2	Screw-TAP (M6X1.7X18) ■
13	24 353 02-S	1	Line-Fuel, Flexible (15.5) ■
14	25 086 158-S	1	Screw-Flanged, Thread Forming (M6X1.0X11) ■
15	47 154 01-S	1	Clip-Cable ■
	20 431 02-S	1	Sleeve-Anti Abrasion ■ ●
	24 518 24-S	1	Lead-Ground ■ ●

● Not illustrated

■ Obtain parts from www.kohlerplus.com

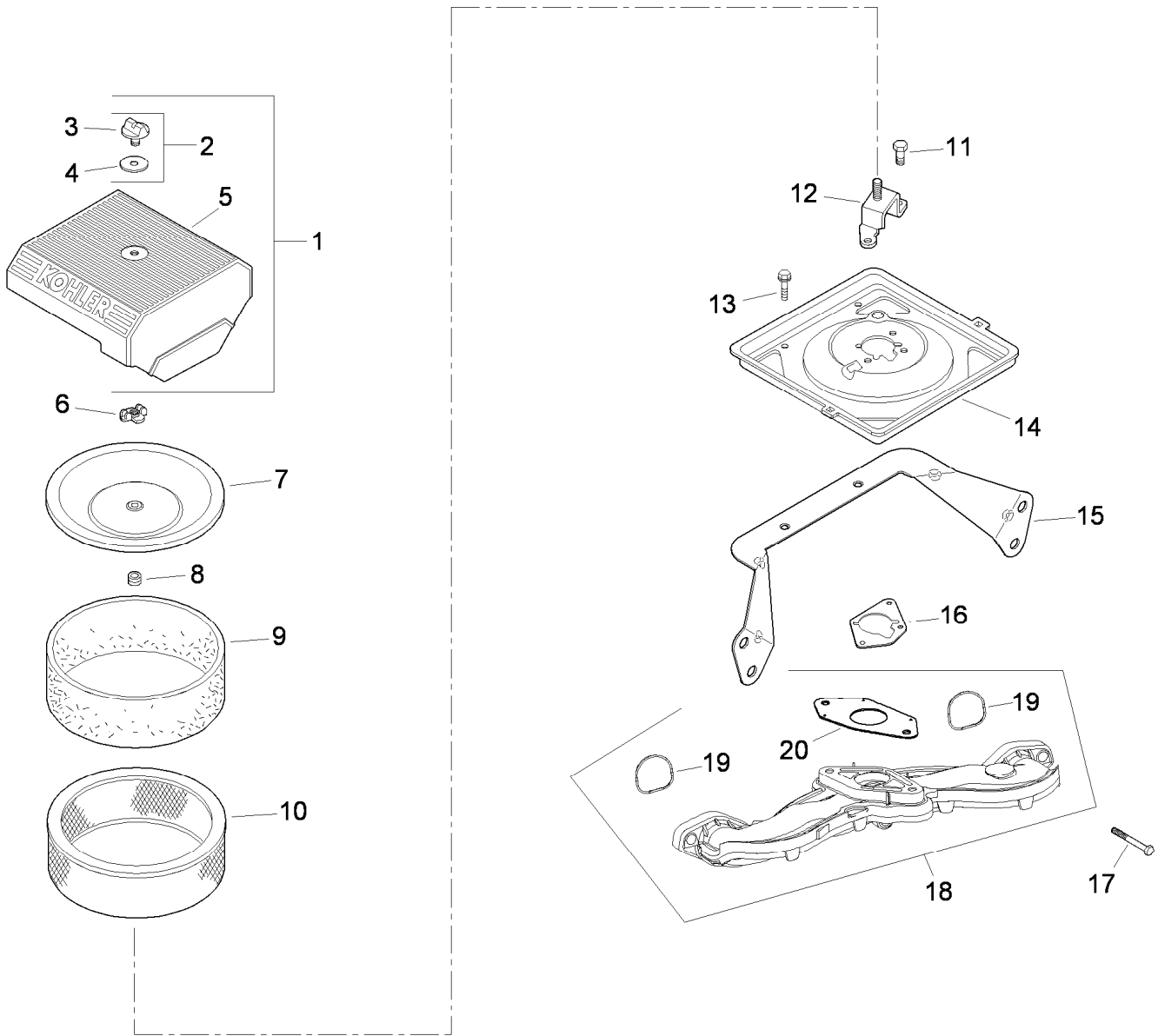


Engine Control Assembly Kohler CH680-3025A

<i>Ref.</i>	<i>Part Number</i>	<i>Qty.</i>	<i>Description</i>
1	M-641060-S	1	Nut-Flange (M6X1.0) ■
2	24 090 51-S	1	Lever-Governor ■
3	24 211 03-S	1	Bolt-Sq Neck, Rd HD (M6X1.0X25) ■
4	24 089 01-S	1	Spring-Linkage ■
5	25 158 08-S	1	Bushing-Linkage, Throttle ■
6	24 079 01-S	1	Linkage-Throttle ■
7	25 158 11-S	1	Bushing-Retaining, Linkage ■
8	M-645016-S	4	Screw-Flange, Thread Forming (M6X1.0X16) ■
9	24 079 21-S	1	Linkage-Choke ■
10	24 089 15-S	1	Spring-Governor ■
	25 454 05-S	1	Tie ● ■

● Not illustrated

■ Obtain parts from www.kohlerplus.com

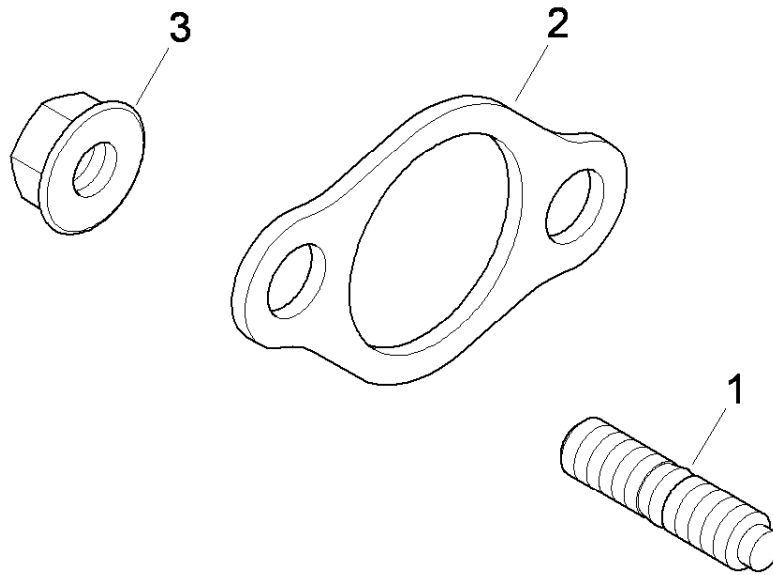


Air Intake and Filtration Assembly Kohler CH680-3025A

Ref.	Part Number	Qty.	Description
1	24 743 05-S	1	Air Cleaner Cover Kit (Includes Ref 2-5) ●
2	54 755 01-S	1	Knob W/Seal Kit (Includes Ref 3, 4) ●
3	25 341 04-S	1	Knob-Cover ●
4	24 153 20-S	1	O-Ring ●
5	24 096 67-S	1	Cover-Cleaner, Air ●
6	12 100 01-S	1	Nut-Wing ●
7	24 096 01-S	1	Cover-Air Cleaner, Inner ●
8	230046-S	1	Seal ●
9	24 083 05-S	1	Pre-Cleaner ●
10	24 083 03-S	1	Element-Filter, Air ●
11	24 086 53-S	3	Screw-Flange, Thread Forming (M6X1.0X16) ●

Ref.	Part Number	Qty.	Description
12	24 126 88-S	1	Bracket-Cleaner, Air ●
13	M-545010-S	2	Screw-HHFTF (M5X.80X10) ●
14	24 094 37-S	1	Base-Cleaner, Air ●
15	24 126 130-S	1	Bracket-Base, Air Cleaner ●
16	24 041 06-S	1	Gasket-Base, Air Cleaner ●
17	M-651040-S	4	Screw-Flange (M6X1.0X40) ●
18	24 164 93-S	1	Manifold-Intake (Plastic) (Includes Ref 19, 20) ●
19	24 153 27-S	2	O-Ring (Intake Port) ●
20	24 041 53-S	1	Gasket-Carburetor ●

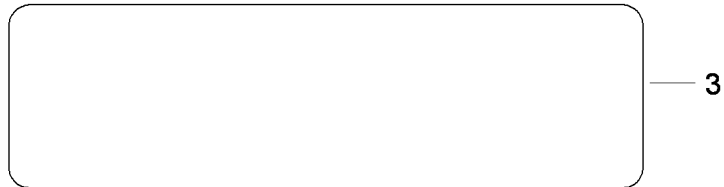
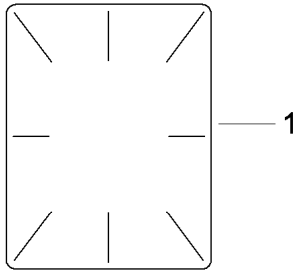
● Obtain parts from www.kohlerplus.com



Exhaust Assembly Kohler CH680-3025A

<i>Ref.</i>	<i>Part Number</i>	<i>Qty.</i>	<i>Description</i>
1	25 072 14-S	4	Stud (M8X1.25X33) ●
2	24 041 49-S	3	Gasket-Exhaust ●
3	M-841080-S	4	Nut-Flange (M8X1.25) ●

● Obtain parts from www.kohlerplus.com



Artwork is representative
Actual labels may differ depending on model and specification number

Decals Kohler CH680-3025A

<i>Ref.</i>	<i>Part Number</i>	<i>Qty.</i>	<i>Description</i>
1	25 113 39-S	1	Decal-Laminate, Clear ●
2	25 113 05-S	1	Decal-Sentry, Oil ●
3	24 113 81-S	1	Decal-23 HP ●

● Obtain parts from www.kohlerplus.com

Attachments and Accessories

For 07369 Workman HD Utility Vehicle with Bed

Product Name	Model/Part
Full Area Flatbed	07301
Full Area Flatbed Side Kit	07302
Fold Down Side Kit	07303
Left-Hand Light Kit	07315
High-Flow Hydraulic Kit	07316
Right-Hand Light Kit	07317
2/3 Area Flatbed	07321
2/3 Area Flatbed Side Kit	07322
Bed Liner	07331
Cab	07339
1/3 Area Flatbed	07341
1/3 Area Stake Side Kit	07342
1/3 Area Platform Lift	07344
Canopy	07372
Windshield	07373
Heater Cab	07374
Cab Door Kit	07375
Solid Window Cab Door Kit	07376
Hitch Frame Kit	07377
4 Post Roll-Over Protection System	07378
Rear PTO Kit	07419
Hand Throttle Kit	07420
Spiker	08856
Finish Grader	08867
Backup Alarm Kit	107-8037
Premium Engine Oil, 10w30 (55 Gallon Drum)	108-1179
Premium Engine Oil, 10w30 (5 Gallon Pail)	108-1180
Premium ATF (Drum)	108-1185
Premium ATF (Pail)	108-1186
Premium All Purpose Grease (Tube)	108-1190
Remote Hydraulics Manifold Kit	110-2626
Tire-Rear, 24x13-12	110-5132
Spark Arrestor Kit	112-1688
Wheel-12in x 8.0in	114-8260
Horn Kit	115-7825
High Air Intake Kit	115-7848
Side Mirror Kit	115-7849
Roll-Over Protection System Signal Kit	117-4825
Worklight Kit	117-4827
Remote Hydraulic Float Kit	117-4828
Cab Mirror Kit	117-4830
Receiver Hitch Kit	117-4831
Trailer Signal Kit	117-4836
Trailer Brake Kit	117-4837
24x13-12 Tire and Wheel ASM	117-4838
Sprayer Cylinder Lift Kit, Workman 200 Spray System	117-4846

Attachments and Accessories (continued)

Engine Cover Kit.....	117-4867
Harness-Wire, Speedometer Adapter.....	119-1762
Canopy for Four-Post Roll-Over Protection System Kit.....	119-9457
Single Nozzle Kit.....	41024
Hose Reel Kit.....	41097
Spray Gun Kit 9 (inc. 25ft Of 1/2in Hose).....	41133
Pro Foam Concentrate (4 x 1 Gallon)	41157
Sonic Boom Kit	41217
Workman 200 Spray System	41235
Foam Marker Kit	41236
Spreader Base Unit	41253
Vicon Spreader.....	41256
Power Holster Hitch Kit.....	44209
Topdresser 1800.....	44225
Fifth Wheel Hitch Kit	44230
Cushman GA 60 Aerator Adapter Kit	44232
Core Harvester Adapter Kit.....	44242
Automatic Tailgate Release Kit	92-1220
Fuse Block.....	92-2641
PTO Over Running Clutch Kit	92-2655
Topdresser 1800 Lift Kit	92-4452
Mid-Mount Kit for Platform Lift.....	93-3741
1/3 Area Cover Kit	93-9225
Rear 1/3 Area Mounting Kit.....	93-9249
Tire-Rear, 23x8.50-12.....	98-2993
Tire-Rear, Industrial	99-1091

Notes:

Notes:

Notes:



Count on it.