



Count on it.

Parts Catalog

**Greensmaster® 3320 TriFlex®
Traction Unit**

Model No. 04530—Serial No. 400000000 and Up



Ordering Replacement Parts

To order replacement parts, please supply the part number, the quantity, and the description of each part desired.

Understanding Reference Numbers

Each identified part in an illustration has a reference number. The reference number for a part also appears in the parts list, along with other information about the part.

This catalog uses two special reference number formats, one to indicate parts in a service assembly and another to indicate the quantity of a given part in an illustration.

Service Assembly Reference Numbers

Parts in service assemblies have reference numbers in the form a:b. The a represents the reference number of the entire service assembly and the b represents a sequential number unique to each part within the service assembly.

For example, a wheel assembly might be identified by reference number 6, the tire by 6:1, the valve by 6:2, and the wheel by 6:3. When you order the assembly identified by reference number 6, you receive all parts identified by reference numbers 6:1, 6:2, and 6:3. However, you may also order any part individually. Reference numbers of this type appear in illustration and in parts lists.

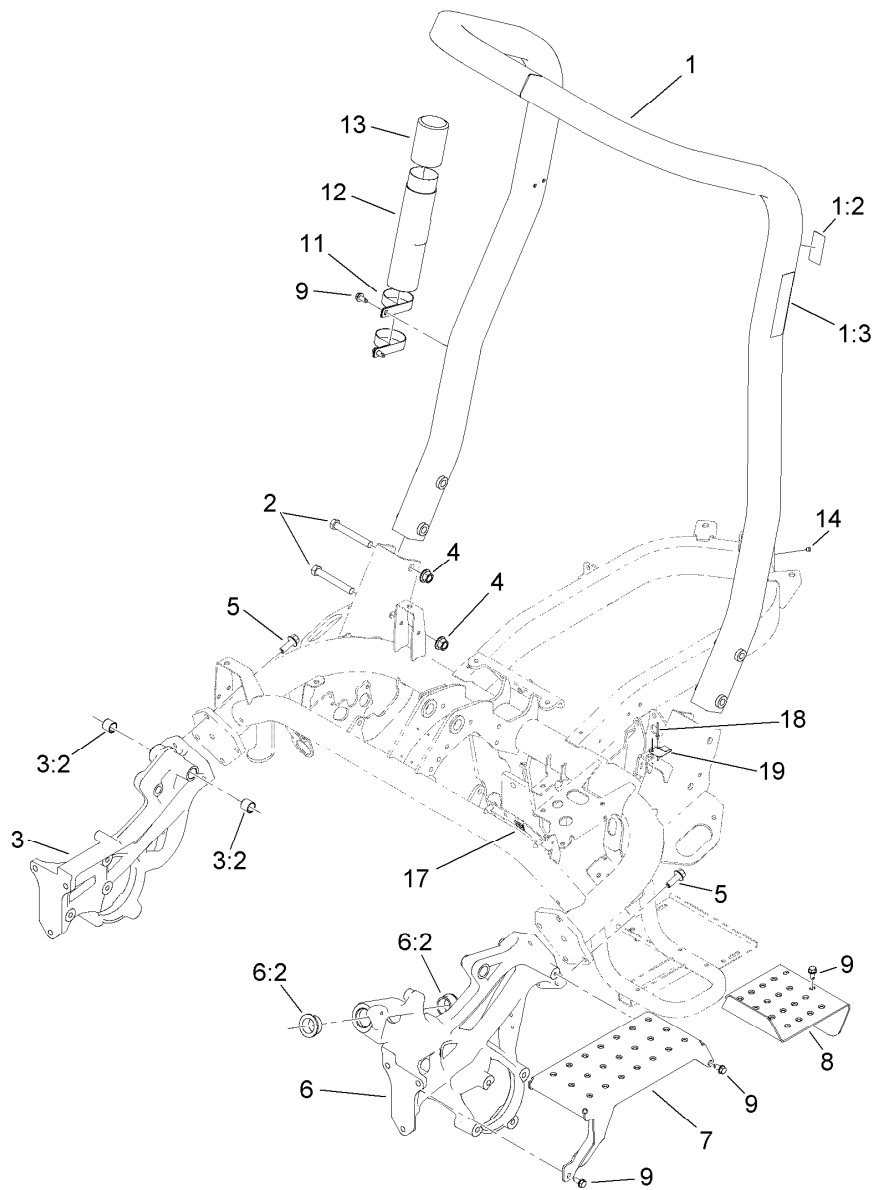
Reference Numbers Indicating Quantity

In an illustration, if a reference number indicates more than one part, the reference number has the form nX y. The n represents the quantity of the part, the X is the multiplication symbol, and the y represents the reference number.

For example, in an illustration, the reference number 2X 37 means that two of the parts identified by reference number 37 are indicated.

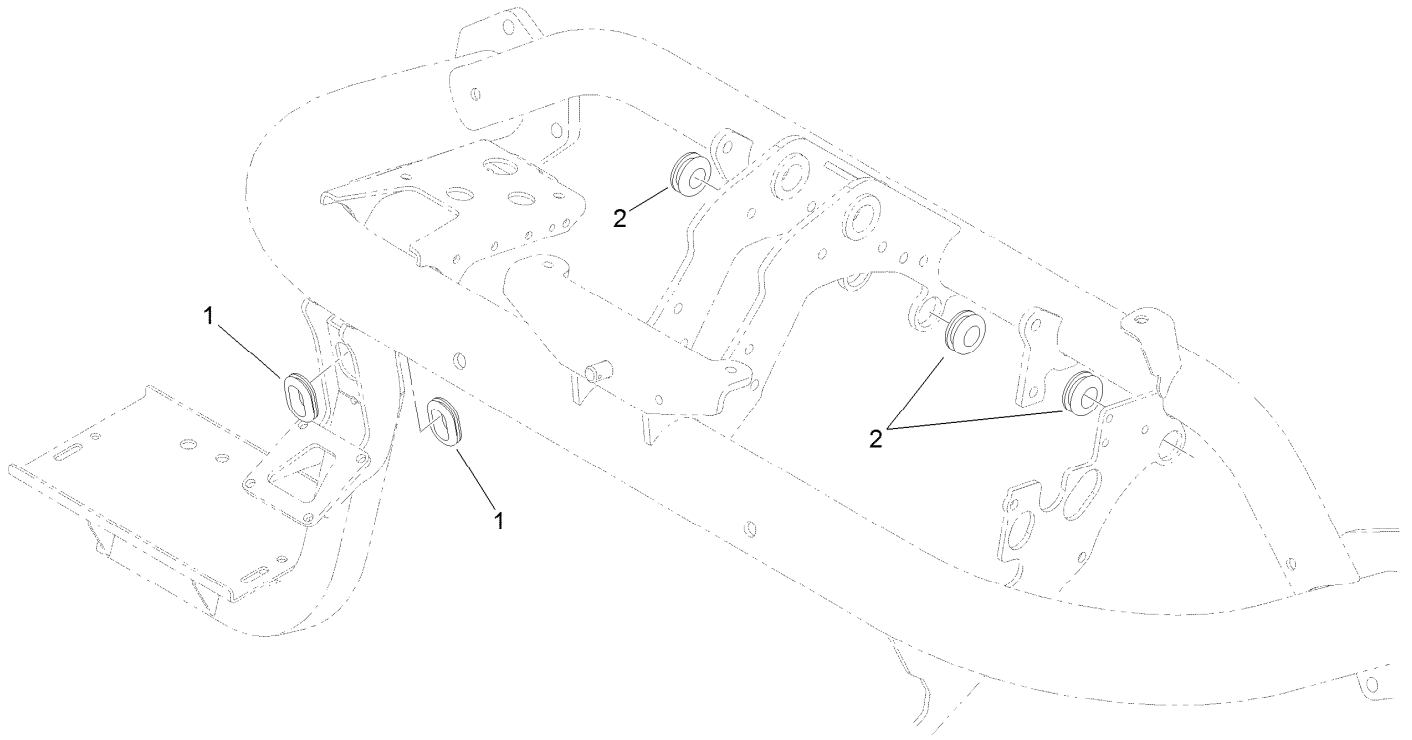
Contents

Roll-Over Protection System Assembly	4
Brake Cable Grommet Assembly	5
Frame Assembly	6
Platform Assembly	7
Right Hand Support Platform Assembly	8
Seatbase Assembly	9
Steering Arm and Adjuster Assembly	10
Brake Cable and Lever Assembly	11
Back Wheel Assembly	12
Hydraulic Cylinder Assembly No. 117-4480	13
Front Wheel Assembly	14
Right Hand Brake Assembly No. 115-9441	15
Left Hand Brake Assembly No. 115-9440	16
Left Hand Wheel Motor Assembly No. 117-4303	17
Right Hand Wheel Motor Assembly No. 117-4302	18
Console and Reel Control Assembly	19
Traction Interface Control Assembly	20
Ignition, Throttle and Choke Control Assembly	21
Console Cable Routing Assembly	22
Engine and Exhaust Assembly	23
Generator and Pulley Assembly	24
Generator/Controller Assembly No. 117-8185	25
Generator Assembly No. 117-8182	26
Generator Service Assembly No. 119-1069	27
Battery Assembly	28
Wire Harness Assembly	29
Pump Coupling Assembly	30
Hydraulic Pump Assembly No. 121-9558	31
Neutral Centering Assembly	33
Traction Drive Hydraulic Line Assembly	34
Traction Drive Hose Routing Assembly	35
Lift Circuit Assembly	36
Steering Valve Assembly No. 114-4672	38
Hydraulic Cylinder Assembly No. 119-8129	39
Hydraulic Cylinder Assembly No. 119-8128	40
Hydraulic Lift Manifold Assembly	41
Hydraulic Lift Manifold Assembly No. 125-5187	42
Steering Circuit Assembly	43
Steering Circuit Assembly (2)	44
Hydraulic Gear Pump Assembly No. 114-9958	45
Fuel Line and Carbon Canister Hose Routing Assembly	46
Fuel Tank Assembly	47
Hydraulic Tank Assembly	48
Hydraulic Tank Cover Assembly	49
Suspension and Basket Assembly	50
Suspension Pin Position Assembly	51
Electric Motor and Bracket Assembly	52
Electric Reel Motor Assembly No. 127-2450	53
Electric Motor Assembly	54
Electric Mow Battery Assembly	55
Suspension A-Arm Assembly	57
Suspension Crossarm Assembly	58
Attachments and Accessories	59



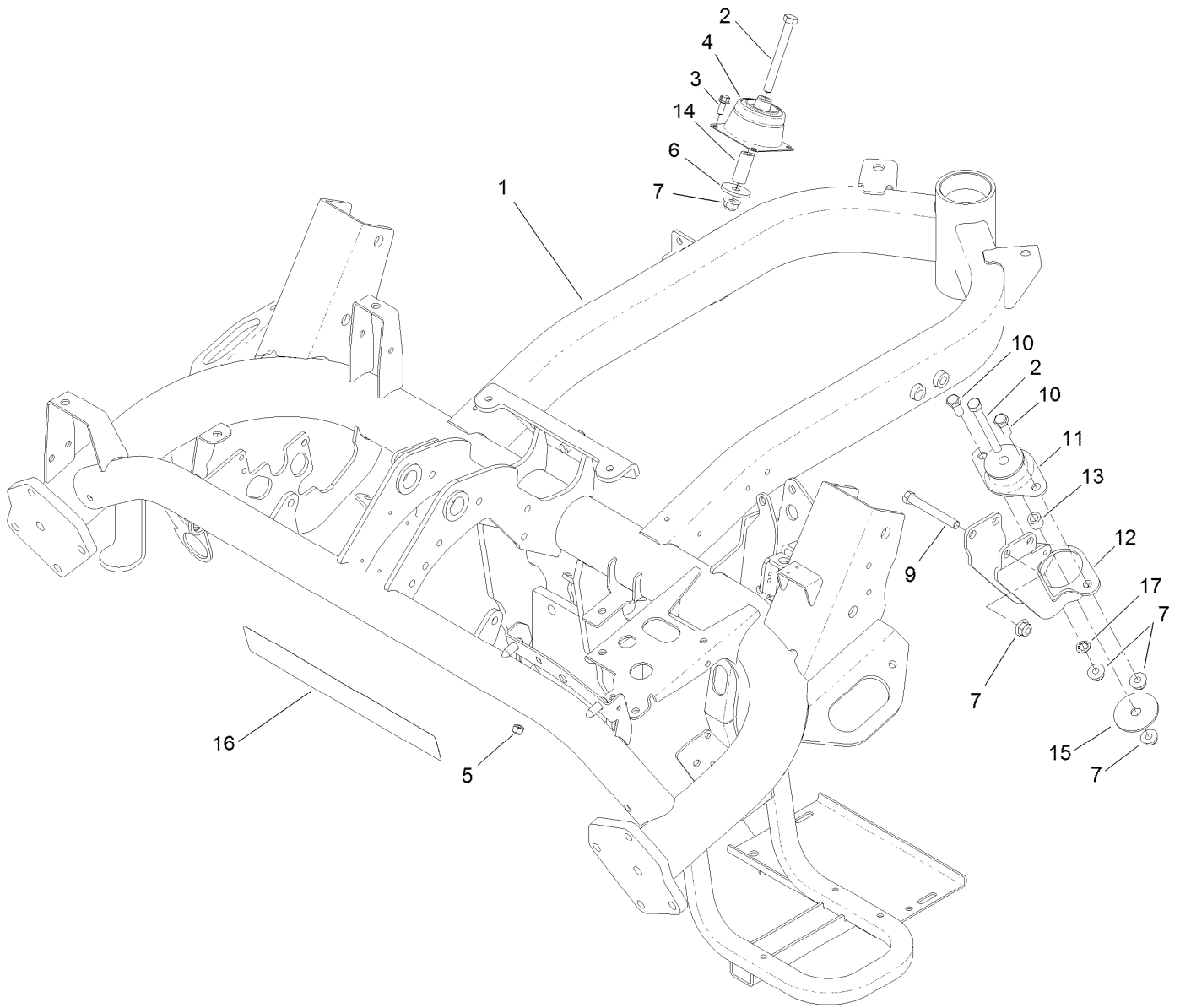
Roll-Over Protection System Assembly

<i>Ref.</i>	<i>Part Number</i>	<i>Qty.</i>	<i>Description</i>	<i>Ref.</i>	<i>Part Number</i>	<i>Qty.</i>	<i>Description</i>
1	115-8206	1	ROPS Assembly	7	117-9051-01	1	Step
1:2	115-8199	1	Decal-ROPS	8	119-4468-01	1	Plate-Step
1:3	115-8226	1	Decal-ROPS	9	32104-32	9	Screw-HWH
2	325-35	4	Screw-HH	11	2412-133	2	Clamp-R
3	117-9023	1	Casting-Side, RH	12	104-7050	1	Tube-Manual
3:2	94-9609	2	Bushing-Straight	13	104-7048	1	Cap-Housing
4	99-5107	4	Nut-Lock	14	302-59	1	Plug-Threaded
5	117-9035	8	Screw-HHF	17	119-1730	1	Receptacle-Clip, Mini
6	117-9022	1	Casting-Side, LH	18	3269-32	2	Rivet-Pop
6:2	60-0080	2	Bushing	19	121-5865	1	Clip-Cover, Back



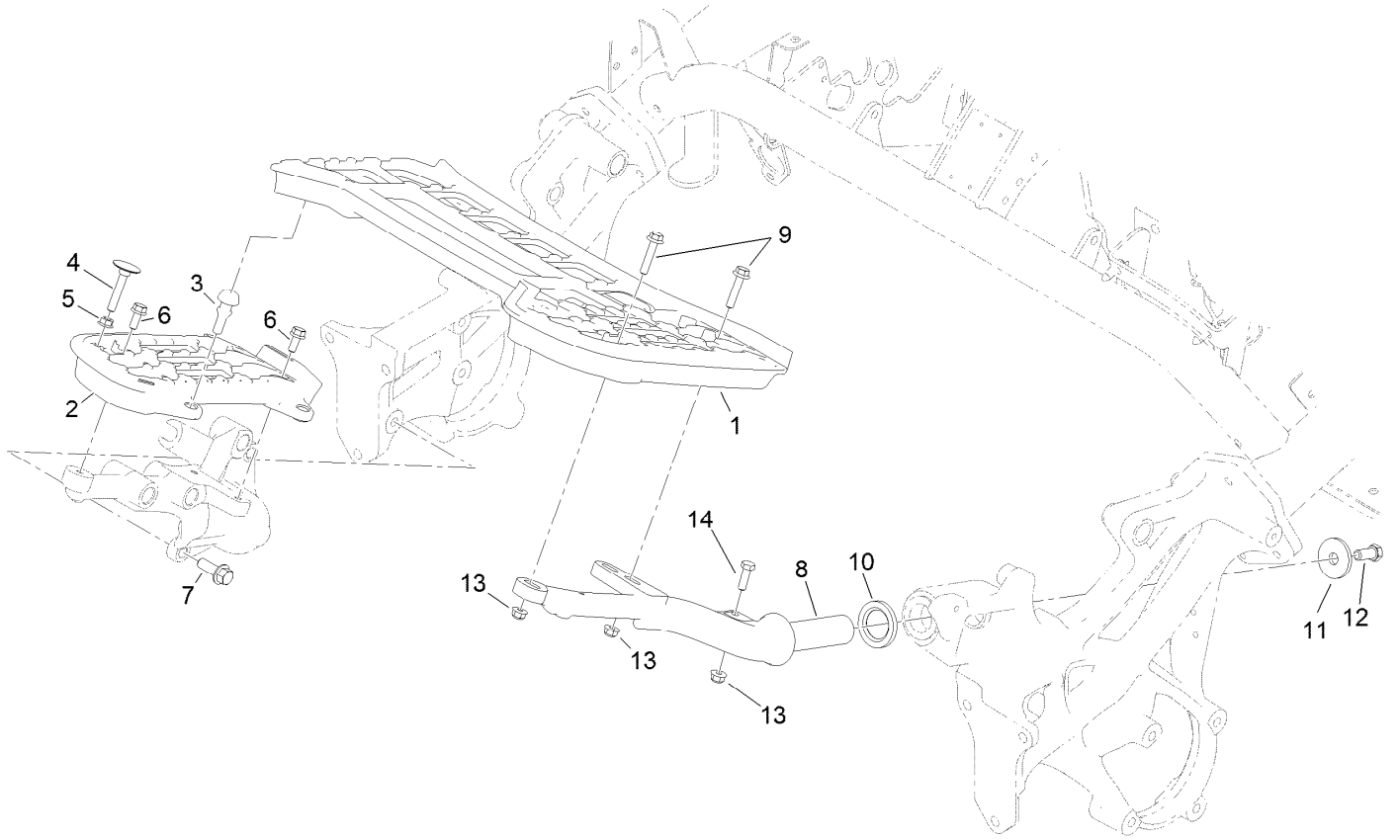
Brake Cable Grommet Assembly

<i>Ref.</i>	<i>Part Number</i>	<i>Qty.</i>	<i>Description</i>
1	240-5	2	Grommet
2	98-8529	3	Grommet



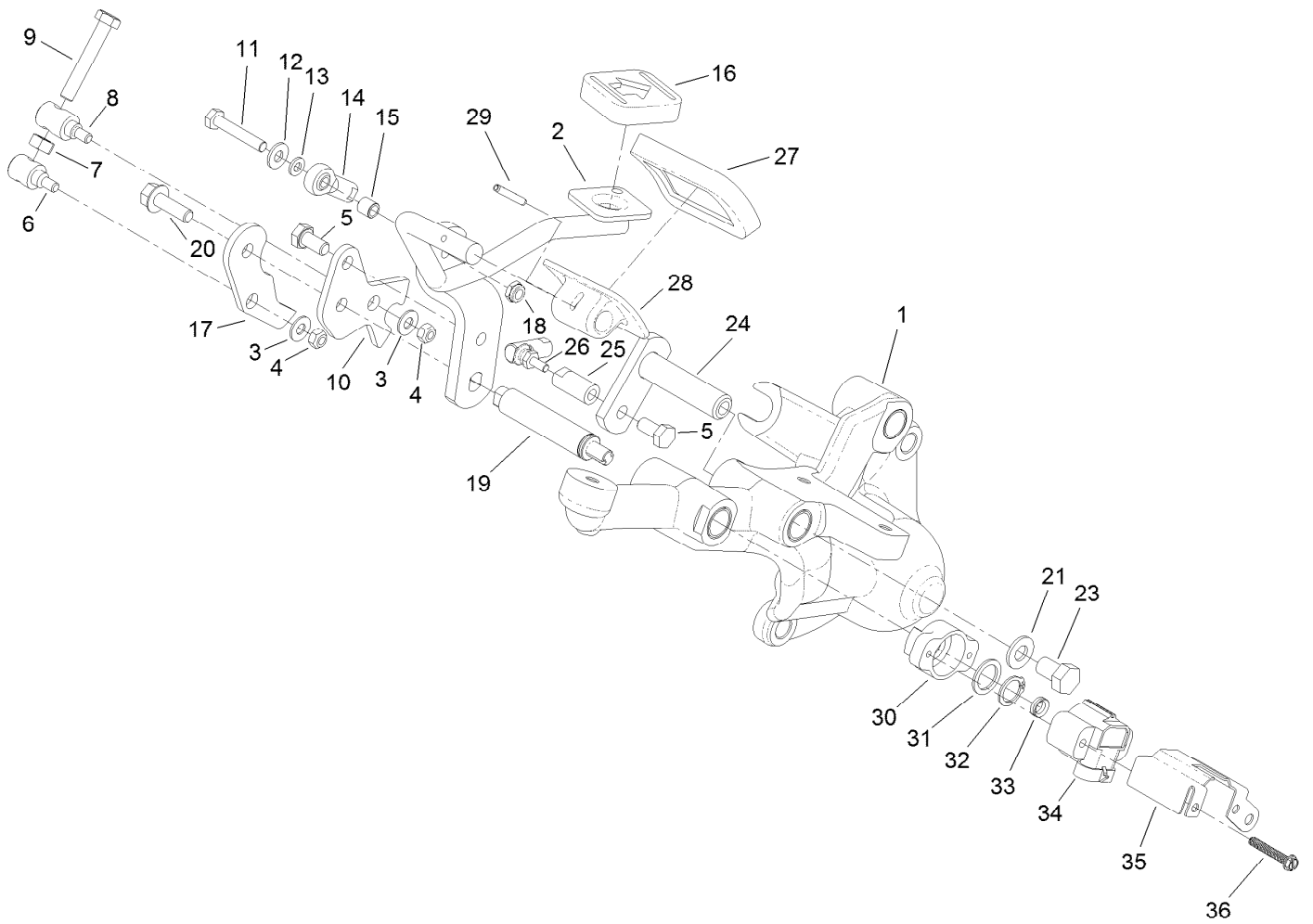
Frame Assembly

<i>Ref.</i>	<i>Part Number</i>	<i>Qty.</i>	<i>Description</i>	<i>Ref.</i>	<i>Part Number</i>	<i>Qty.</i>	<i>Description</i>
1	131-6176-01	1	Frame	10	323-5	2	Screw-HH
2	323-15	3	Screw-HH	11	131-1821	1	Mount-Engine
3	3234-33	8	Screw-HHF	12	117-9256-01	1	Mount-Engine, Rear
4	112-5757	2	Mount-Engine, Rubber	13	52-2480	1	Spacer-Wheel
5	3296-42	8	Nut-Lock, NI	14	104-0151	2	Spacer
6	117-9330	2	Spacer	15	87-5100	1	Washer-Snubbing
7	104-8301	7	Nut-HF, NI	16	115-8195	1	Decal
9	323-14	2	Screw-HH	17	3254-6	1	Washer-Lock, Internal



Platform Assembly

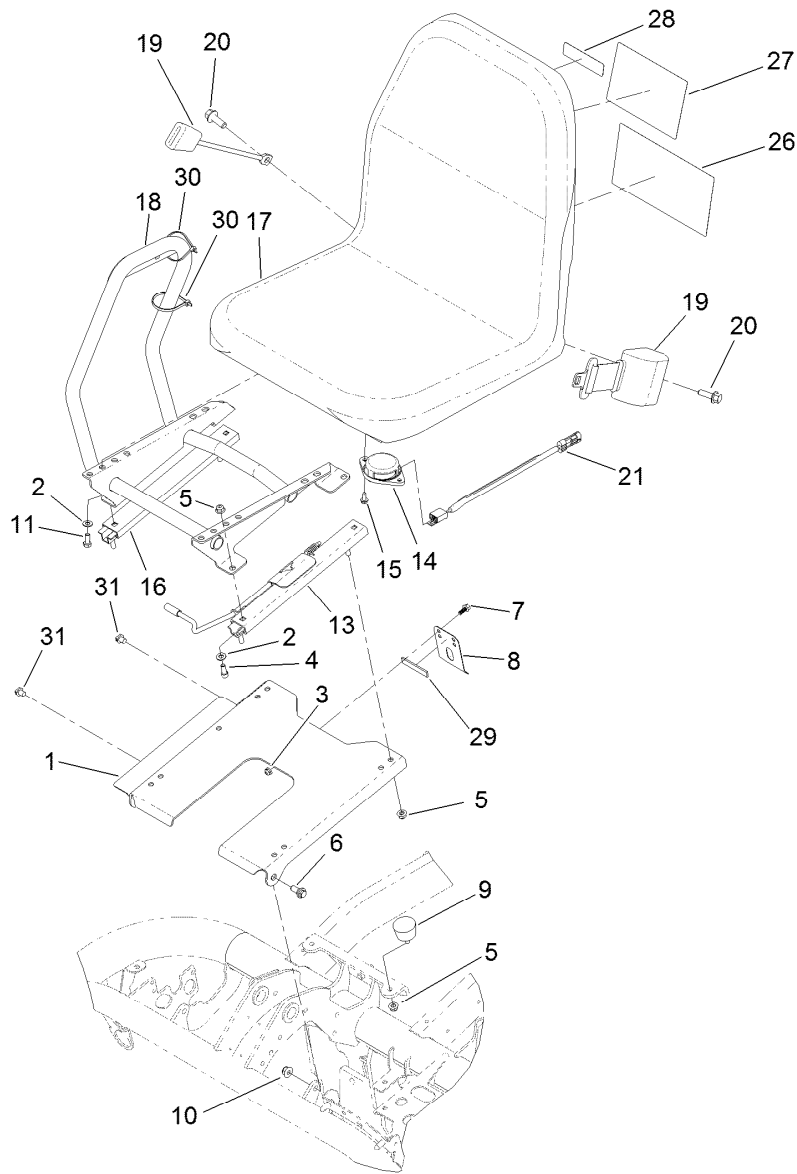
<i>Ref.</i>	<i>Part Number</i>	<i>Qty.</i>	<i>Description</i>
1	117-9009	1	Platform-LH
2	117-9008	1	Platform-RH
3	117-9072	2	Bumper-Rubber
4	115-8240	1	Screw-Elevator
5	32128-20	1	Nut-HF
6	3234-47	3	Screw-HHF
7	117-9035	3	Screw-HHF
8	117-9006-01	1	Support-Platform, LH
9	115-1794	3	Screw-HHF
10	94-8946	1	Washer-Thrust
11	84-1560	1	Washer-Thrust
12	324-4	1	Screw-HH
13	104-8300	4	Nut-HF, NI
14	322-5	1	Screw-HH



Right Hand Support Platform Assembly

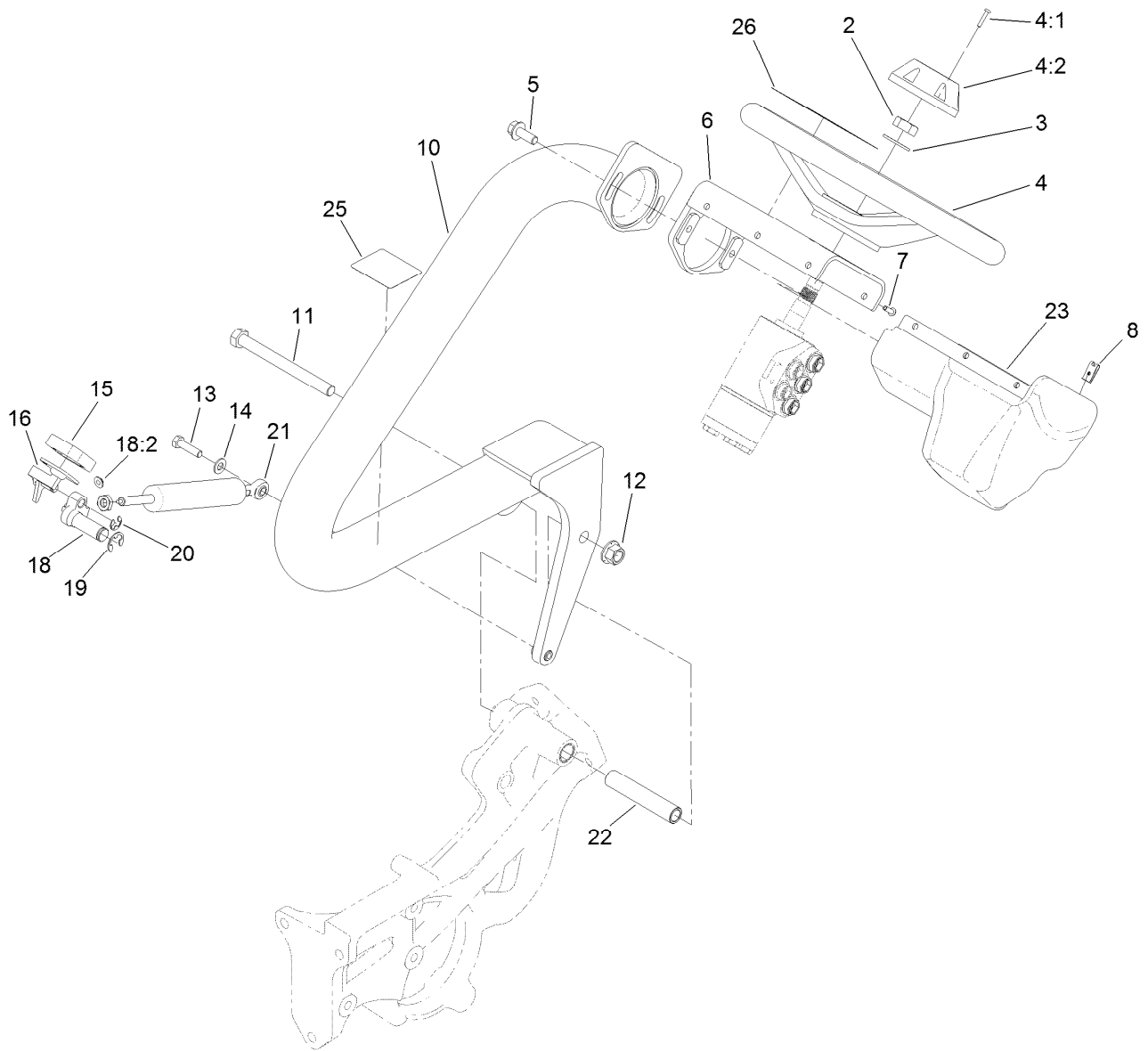
Ref.	Part Number	Qty.	Description
1	133-2313	1	Support-Platform, RH
2	131-3179-01	1	Traction Pedal ASM
3	3256-1	2	Washer-Flat
4	33023-00	2	Nut-Lock
5	33114-016	2	Screw-HH
6	94-1374	1	Trunnion-Bracket, Mow
7	33014-00	1	Nut-Hex
8	94-1375	1	Trunnion-Bracket, Lock
9	94-3489	1	Screw-HH
10	131-3181	1	Bracket-Lock
11	321-9	1	Screw-HH
12	3256-22	1	Washer-Flat
13	33093-00	1	Washer-Flat
14	2411-41	1	Rod End-Ball Joint
15	99-3545	1	Spacer
16	74-9110	1	Pad-Pedal, Reverse
17	131-3182	1	Bracket-Mow
18	3296-56	1	Nut-Lock, NI

Ref.	Part Number	Qty.	Description
19	131-3177	1	Shaft-Pedal
20	3234-29	1	Screw-HHF
21	3256-24	1	Washer-Flat
23	33115-016	1	Screw-HH
24	94-1300	1	Lock-Neutral
25	94-1386	1	Shaft-Pedal
26	2411-38	1	Joint-Ball
27	74-9100	1	Pad-Pedal, Forward
28	117-9507	1	Pedal-Accelerator
29	32121-45	1	Pin-Spring
30	131-3178	1	Adaptor-Sensor
31	7-3590	1	Washer
32	32151-62	1	Ring-Retaining
33	131-3187	1	V-Ring
34	122-0055	1	Sensor Position
35	131-3184	1	Shield-Sensor
36	692501	2	Screw-SHWH



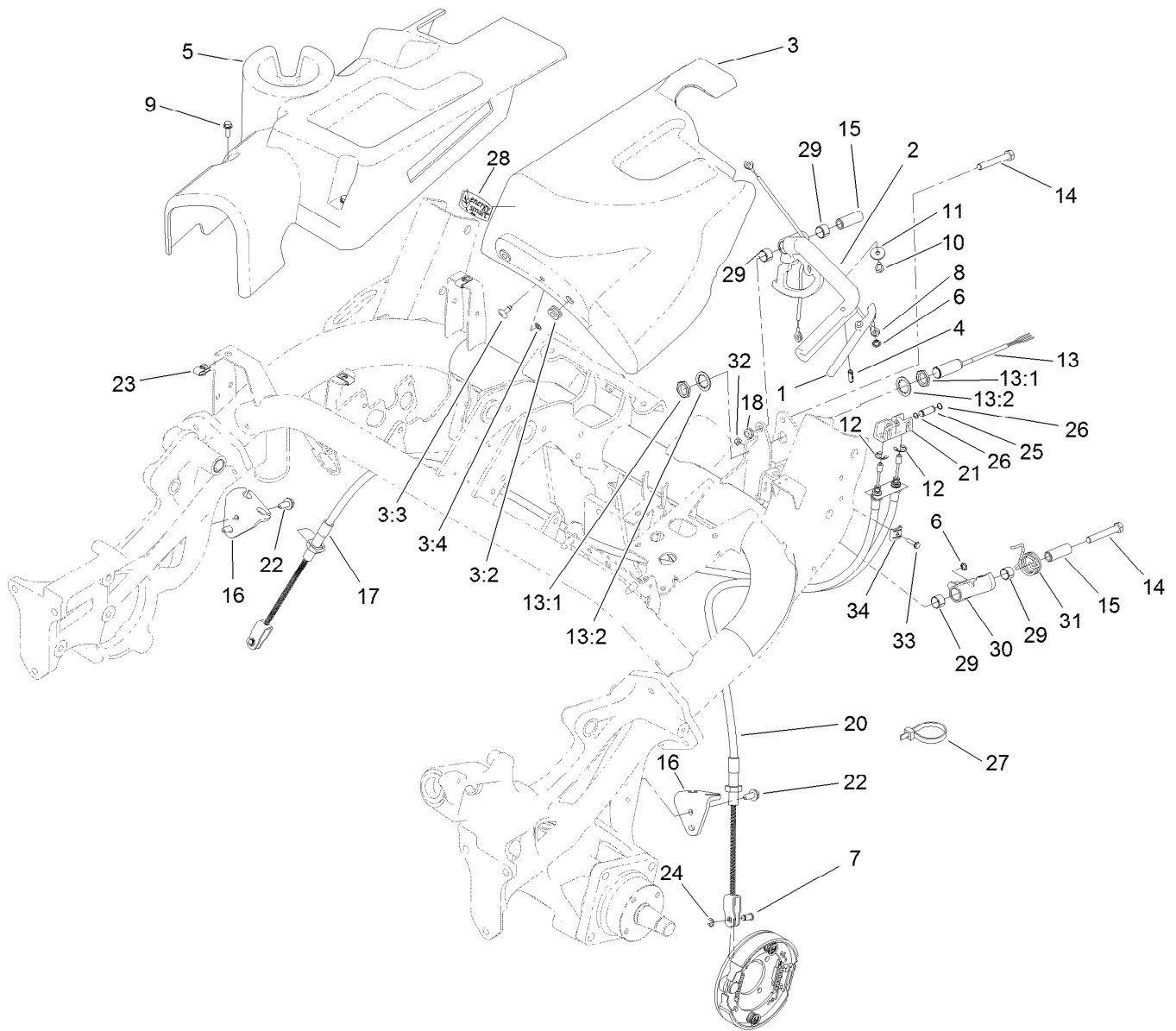
Seatbase Assembly

<i>Ref.</i>	<i>Part Number</i>	<i>Qty.</i>	<i>Description</i>	<i>Ref.</i>	<i>Part Number</i>	<i>Qty.</i>	<i>Description</i>
1	117-4440-03	1	Plate-Seat	21	108-8657	1	Harness-Wire, Seat
2	3256-23	8	Washer-Plain	26	115-8159	1	Decal-Service, Spanish
3	104-7201	2	Nut-HF	26	115-8160	1	Decal-Service, French
4	3274-10	4	Screw-HSH	26	115-8161	1	Decal-Service, German
5	104-8300	10	Nut-HF, NI	26	115-8162	1	Decal-Service, Swedish
6	94-7582	2	Bolt-Shoulder	26	115-8163	1	Decal-Service, Italian
7	99-6810	2	Screw-HHF	26	115-8164	1	Decal-Service, Portuguese
8	66-2630	1	Latch-Seat	26	115-8165	1	Decal-Service, Norwegian
9	68-3270	2	Bumper-Rubber	26	115-8166	1	Decal-Service, Finnish
10	104-8301	2	Nut-HF, NI	26	115-8167	1	Decal-Service, Danish
11	322-3	4	Screw-HH	26	115-8168	1	Decal-Service, Dutch
13	133-8896	1	Seat Adjuster Lever ASM	26	115-8169	1	Decal-Service, Japanese
14	92-6282	1	Switch-Seat	26	119-9345	1	Decal-Aid, Quick Reference
15	32144-10	2	Screw-HWH	27	115-8156	1	Decal-Speed, Clip
16	92-8990	1	Adjuster-Slave	28	117-2718	1	Decal-Arrester, Spark
17	104-4620	1	Seat	29	120-5753	1	Strip-Foam
18	121-5189-03	1	Mount-Console	30	3290-379	2	Tie-Cable
19	100-4928	1	Belt-Seat	31	32180-030	2	Clip-Tie
20	117-9035	2	Screw-HHF				



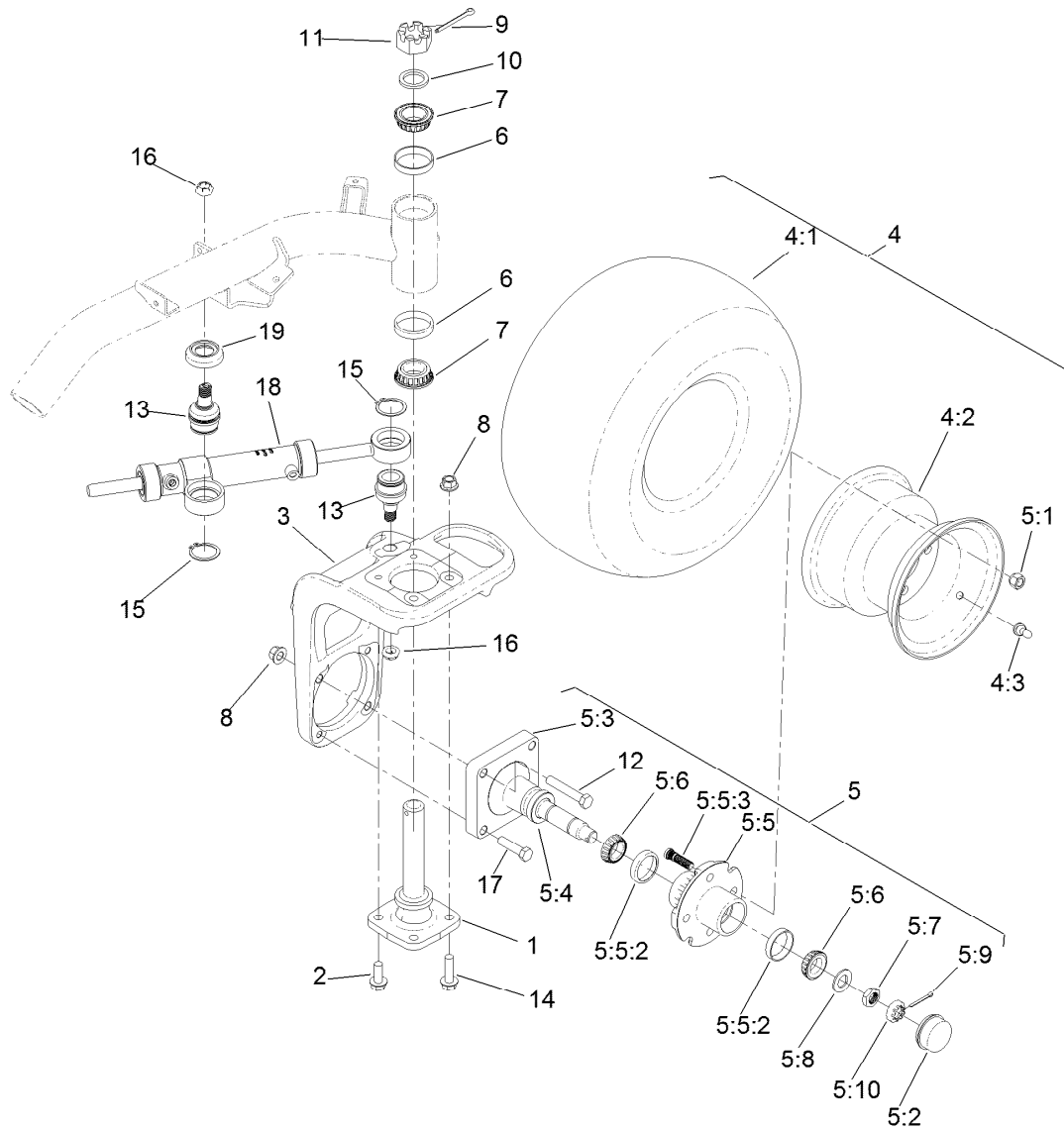
Steering Arm and Adjuster Assembly

<i>Ref.</i>	<i>Part Number</i>	<i>Qty.</i>	<i>Description</i>	<i>Ref.</i>	<i>Part Number</i>	<i>Qty.</i>	<i>Description</i>
2	3296-33	1	Nut-Lock, NI	14	3256-23	1	Washer-Plain
3	3256-27	1	Washer-Flat	15	74-9110	1	Pad-Pedal, Reverse
4	75-0560	1	Steering Wheel ASM	16	117-4457	1	Lever ASM
4:1	32144-21	1	Screw	18	133-9030	1	Pivot Lever ASM
4:2	68-5140	1	Cap-Wheel, Steering	18:2	133-8995	1	Bushing
5	3234-42	2	Screw-HHF	19	32120-19	1	E-Ring
6	117-9346-03	1	Mount-Steering	20	105-7004	1	E-Ring
7	3274-39	6	Screw-HSBH	21	133-9036	1	Cylinder-Gas
8	3290-277	6	Nut-Speed	22	117-9002	1	Spacer
10	117-4444-01	1	Arm-Steering	23	119-9300	1	Cover-Valve, Steering
11	325-22	1	Screw-HH	25	119-9346	1	Decal-Arm, Steering
12	99-5107	1	Nut-Lock	26	133-2338	1	Decal-Danger
13	322-47	1	Screw-HH	26	133-2339	1	Decal-Danger, CE



Brake Cable and Lever Assembly

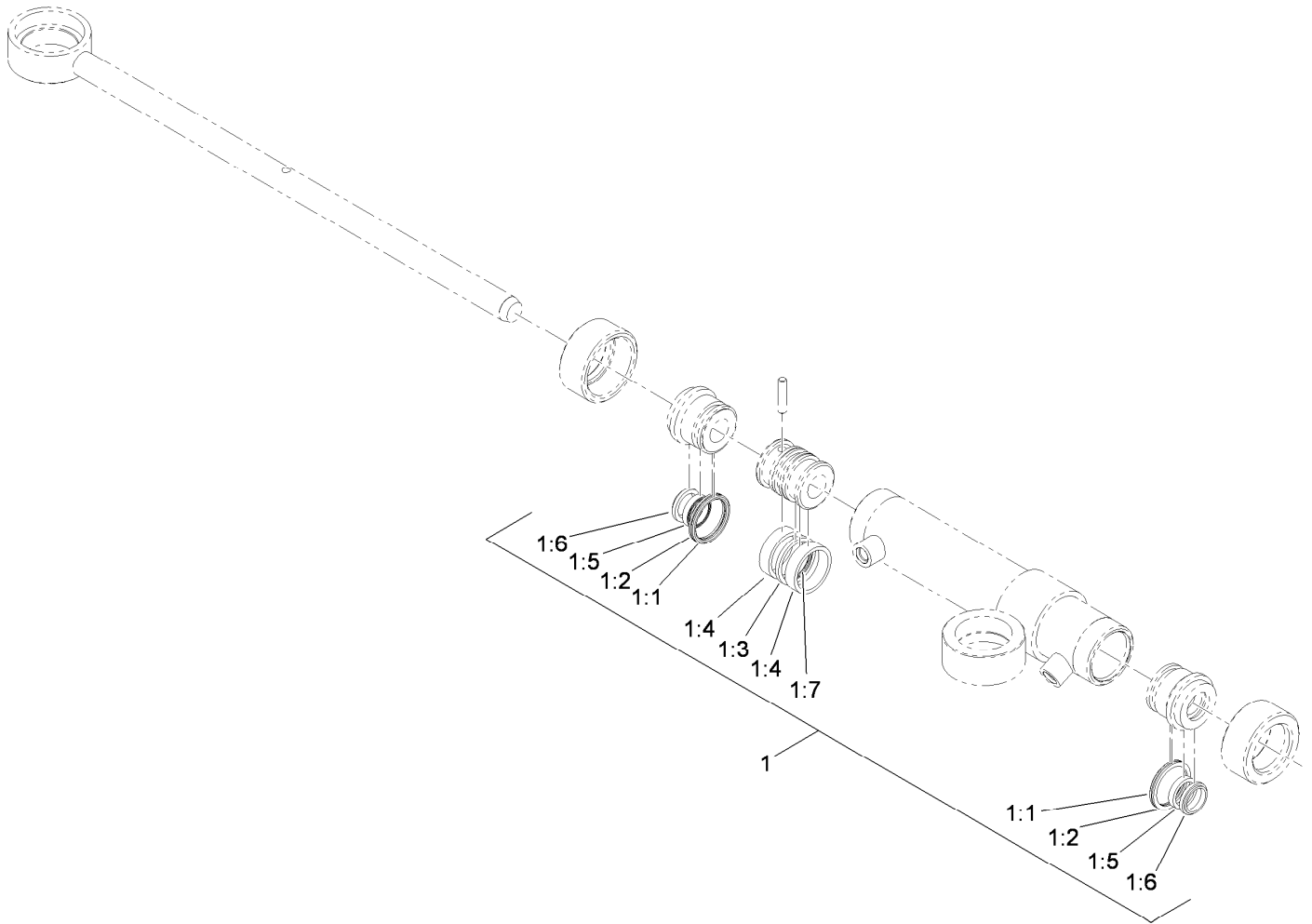
Ref.	Part Number	Qty.	Description	Ref.	Part Number	Qty.	Description
1	131-3003	1	Lever-Release	15	131-3017	2	Spacer
2	131-3024	1	Lever-Brake, Hand	16	133-8901	2	Bracket-Brake Cable
3	131-3025	1	LH Cover ASM	17	131-1833	1	Cable-Brake, RH
3:2	119-1728	1	Stud-1/4 Turn	18	3296-59	2	Nut-Lock, NI
3:3	119-1729	1	Retainer-Stud	20	131-1834	1	Cable-Brake, LH
3:4	92-5972	2	Grommet-Rubber	21	131-3065	1	Equalizer-Cable
4	32121-24	1	Pin-Spring	22	32104-32	4	Screw-HWH
5	131-3101	1	Cover-Side, RH	23	107069	3	Clip
6	104-8310	2	Ring-Retaining	24	701197	2	E-Ring
7	109-6887	2	Pin-Clevis	25	131-3021	1	Pin
8	131-3004	1	Cable	26	32120-46	2	Ring-Retaining
9	115-5103	3	Screw-HHF	27	3290-379	1	Tie-Cable
10	321-2	1	Screw-HH	28	119-7580	1	Decal-Energy Smart
11	3256-67	1	Washer-Flat	29	1-653600	4	Bushing
12	32120-47	2	Ring-Retaining, External	30	131-3058	1	Pawl-Brake
13	115-5300	1	Proximity Switch ASM	31	132-3833	1	Spring-Torsion
13:1	117-3207	2	Nut-Hex	32	3296-2	1	Nut-Lock, NI
13:2	117-3208	2	Washer-Lock, Internal Tooth	33	3290-126	1	Screw-HWH
14	323-12	2	Screw-HH	34	81-1690	1	Clamp-Cable



Back Wheel Assembly

Ref.	Part Number	Qty.	Description	Ref.	Part Number	Qty.	Description
1	115-2657	1	Spindle-Steering	5:8	117-8259	1	Washer-Spindle
2	3234-38	2	Screw-HHF	5:9	3272-18	1	Pin-Cotter
3	117-4366-01	1	Base-Fork, Rear	5:10	93-0307	1	Nut-Lock, Retainer
4		1	Wheel And Tire ASM ●	6	115-9471	2	Bearing-Cup
4:1	120-2783	1	Tire	7	115-9472	2	Bearing-Cone And Seal
4:2	217-60	1	Rim	8	99-5107	4	Nut-Lock
4:3	232-27	1	Stem-Valve	9	3272-37	1	Pin-Cotter
5	119-4490	1	Wheel Spindle ASM	10	18-6320	1	Washer-Steering
5:1	242-50	4	Nut-Lug	11	32136-9	1	Nut-Hex, Slotted
5:2	241-119	1	Cap-Dust	12	325-12	2	Screw-HH
5:3	112-7173	1	Spindle	13	121-3605	2	Ball Joint
5:4	112-1690	1	Seal-Oil	14	3234-22	2	Screw-HHF
5:5	117-9093	1	Hub ASM	15	32151-104	2	Ring-Retaining, External
5:5:2	254-72	2	Bearing-Cup, Tapered	16	121-3611	2	Nut-Hex, Flextop
5:5:3	114-3918	4	Stud-Wheel	17	325-8	2	Screw-HH
5:6	254-92	2	Cone-Bearing, Outer	18	117-4480	1	HYD Cylinder ASM
5:7	117-8260	1	Nut	19	120-2026	1	Spacer-Cylinder

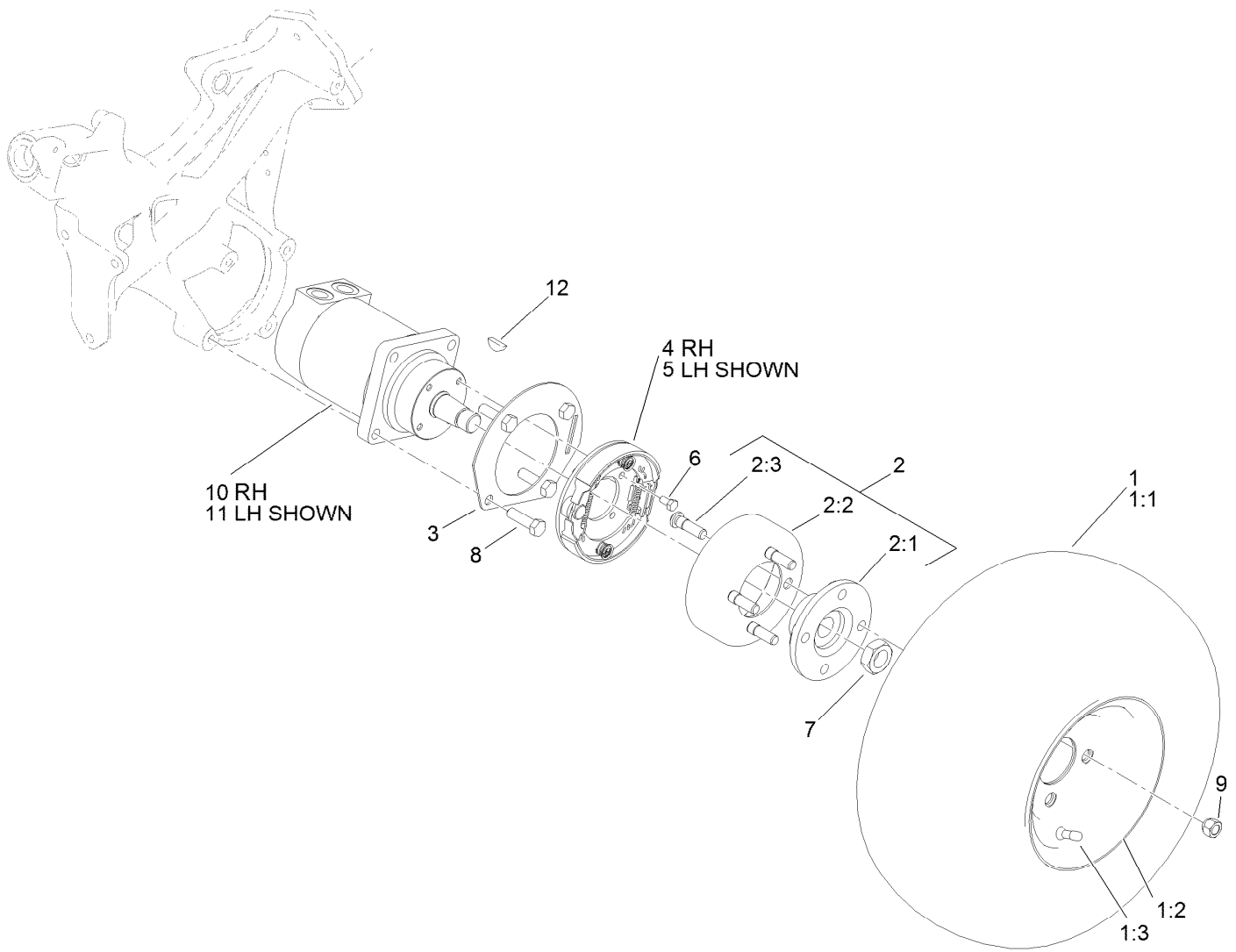
● Not serviced separately



Hydraulic Cylinder Assembly No. 117-4480

Ref.	Part Number	Qty.	Description
1	119-7124	1	Kit-Seal
1:1		2	O-Ring ●
1:2		2	Ring-Backup ●
1:3		1	Seal-Psp ●
1:4		2	Ring-Wear ●
1:5		2	Seal-Bs ●
1:6		2	Seal-Dust ●
1:7		1	O-Ring ●

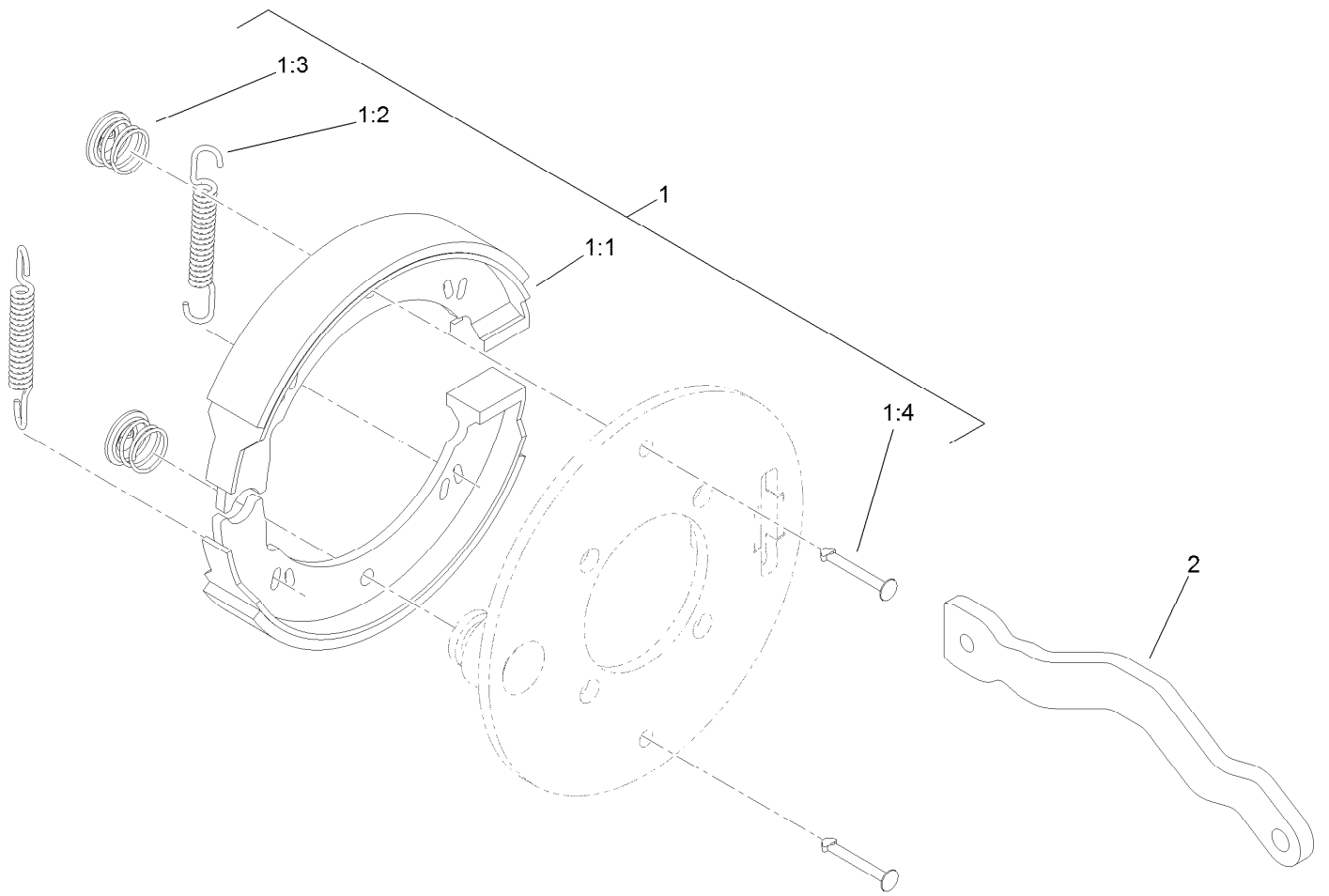
● Not serviced separately



Front Wheel Assembly

Ref.	Part Number	Qty.	Description	Ref.	Part Number	Qty.	Description
1		2	Wheel And Tire ASM ●	4	115-9441	1	RH Brake ASM
1:1	120-2783	1	Tire	5	115-9440	1	LH Brake ASM
1:2	117-9032	1	Rim	6	322-2	8	Screw-HH
1:3	232-27	1	Stem-Valve	7	26-3790	2	Nut-Lock
2	115-2661	2	Brake Drum ASM	8	325-7	8	Screw-HH
2:1	115-2662-03	1	Hub-Wheel	9	242-50	8	Nut-Lug
2:2	115-2663	1	Drum-Brake	10	117-4302	1	RH Wheel Motor ASM
2:3	85-6540	4	Stud-Drive	11	117-4303	1	LH Wheel Motor ASM
3	114-9998-03	2	Tab-Lever, Brake	12	3257-42	1	Key-Woodruff

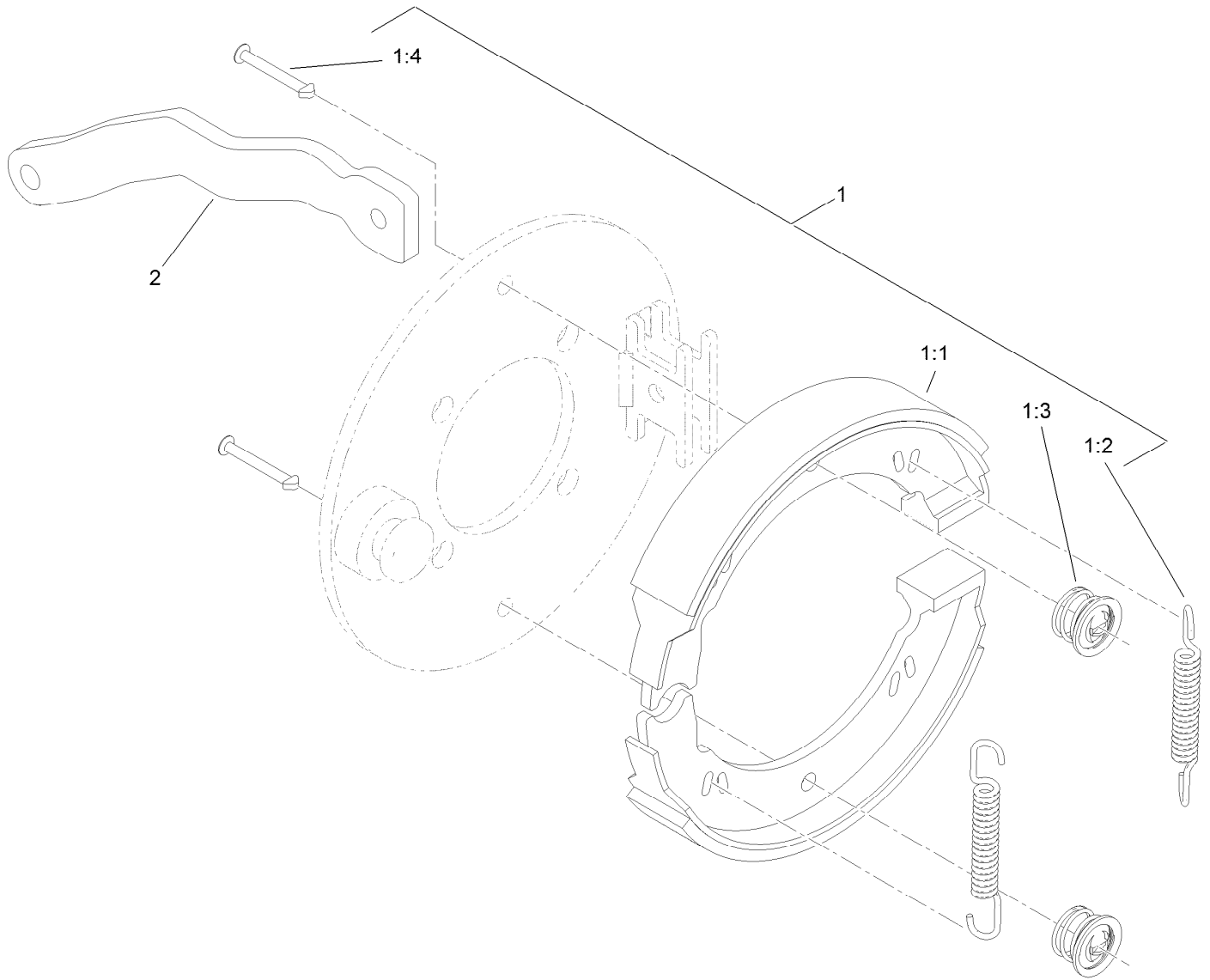
● Not serviced separately



Right Hand Brake Assembly No. 115-9441

<i>Ref.</i>	<i>Part Number</i>	<i>Qty.</i>	<i>Description</i>
1	119-7136	1	Kit-Brake
1:1		2	Shoe-Brake ●
1:2		2	Spring ●
1:3		2	Clip ●
1:4		2	Pin-Retainer ●
2	115-5789	1	Lever-Brake, RH

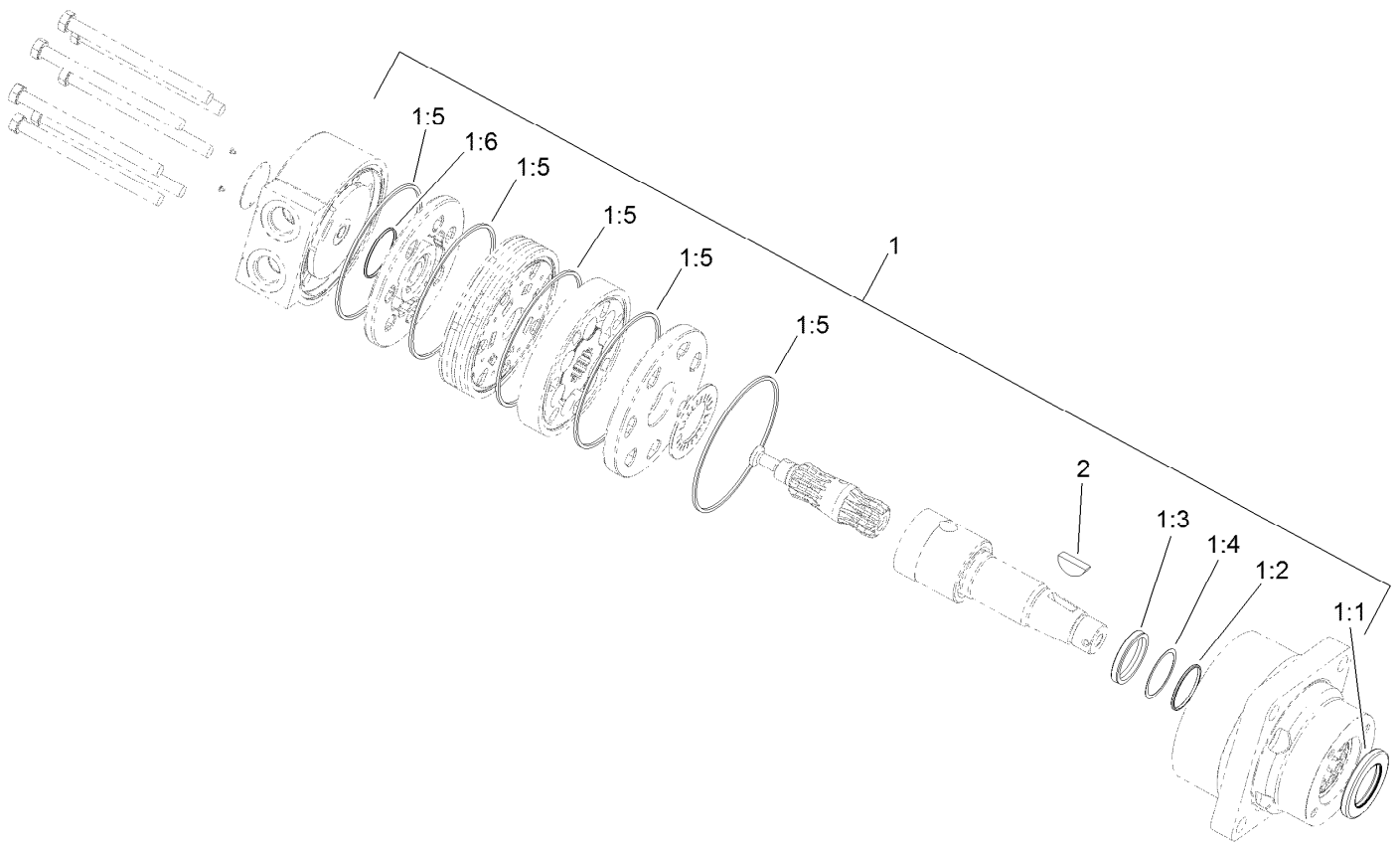
● Not serviced separately



Left Hand Brake Assembly No. 115-9440

Ref.	Part Number	Qty.	Description
1	119-7136	1	Kit-Brake
1:1		2	Shoe-Brake ●
1:2		2	Spring ●
1:3		2	Clip ●
1:4		2	Pin-Retainer ●
2	115-2664	1	Lever-Brake, LH

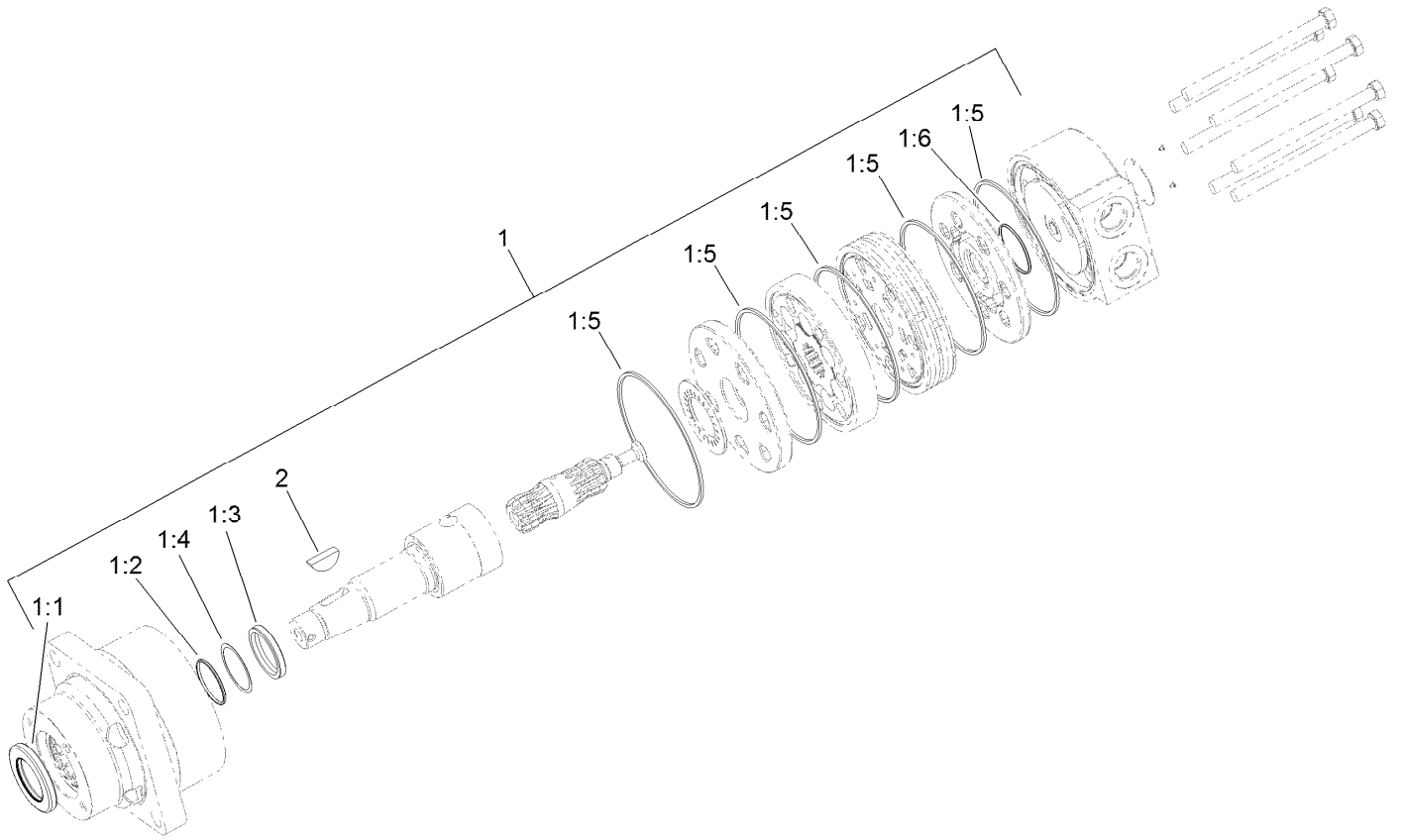
● Not serviced separately



Left Hand Wheel Motor Assembly No. 117-4303

<i>Ref.</i>	<i>Part Number</i>	<i>Qty.</i>	<i>Description</i>
1	94-8178	1	Seal Kit
1:1		1	Seal-Dirt And Water ●
1:2		1	Backup-Ring ●
1:3		1	Seal-Shaft ●
1:4		1	Washer-Backup ●
1:5		5	Seal-Square, Ring (Inner) ●
1:6		1	Seal-Commutator ●
2	3257-42	1	Key-Woodruff

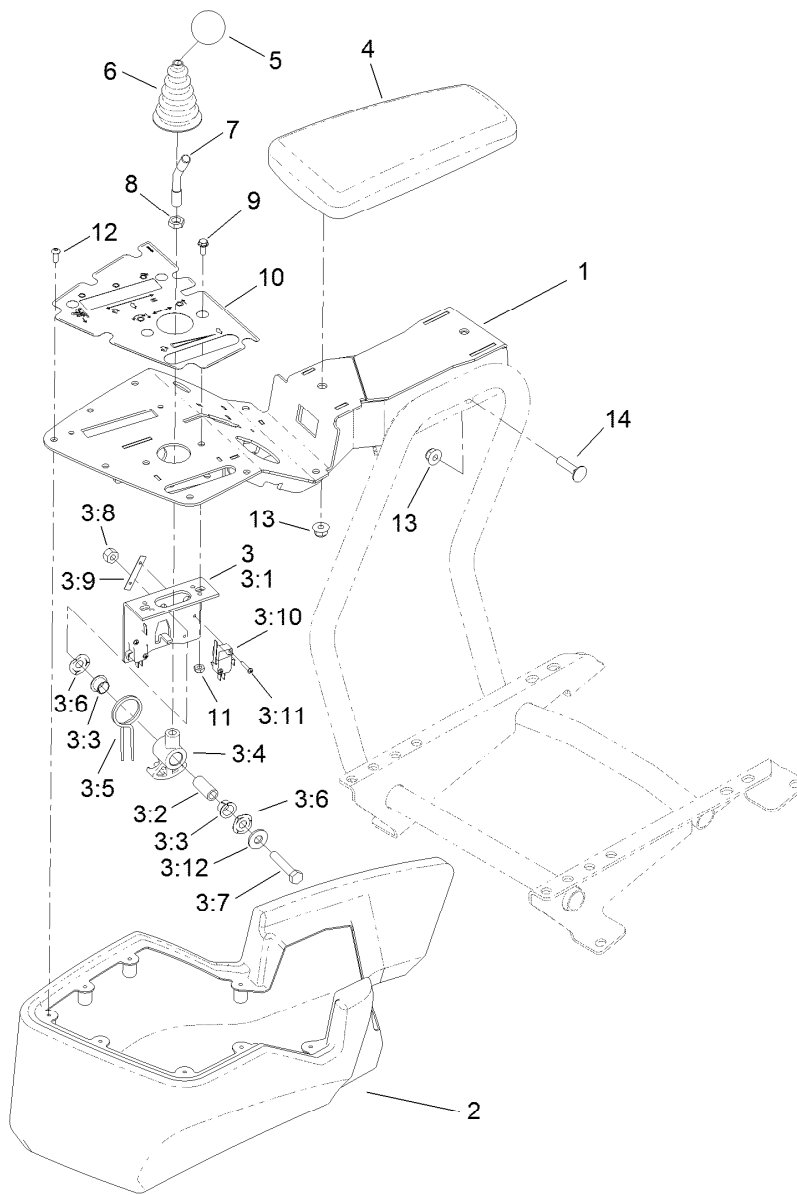
● Not serviced separately



Right Hand Wheel Motor Assembly No. 117-4302

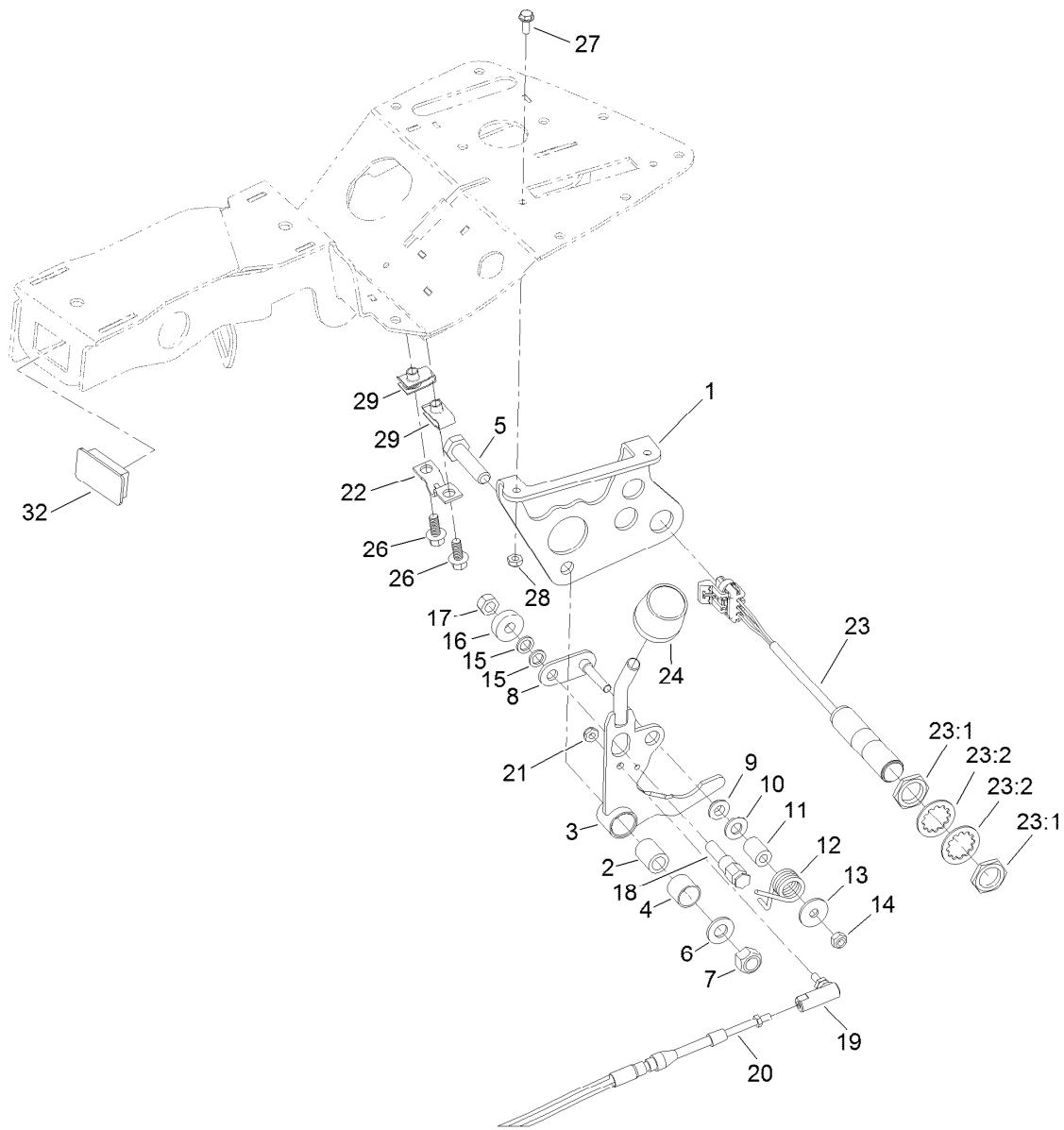
<i>Ref.</i>	<i>Part Number</i>	<i>Qty.</i>	<i>Description</i>
1	94-8178	1	Seal Kit
1:1		1	Seal-Dirt And Water ●
1:2		1	Backup-Ring ●
1:3		1	Seal-Shaft ●
1:4		1	Washer-Backup ●
1:5		5	Seal-Square, Ring (Inner) ●
1:6		1	Seal-Commutator ●
2	3257-42	1	Key-Woodruff

● Not serviced separately



Console and Reel Control Assembly

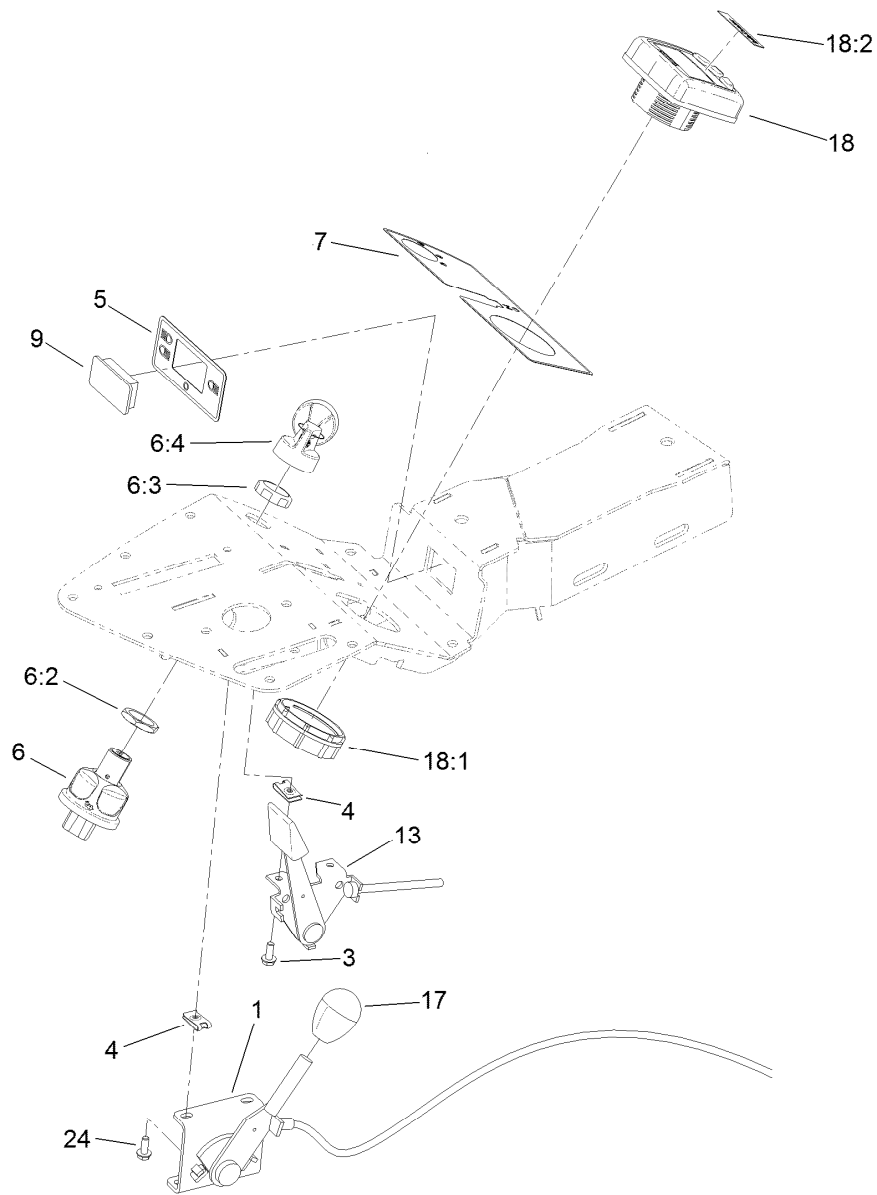
<i>Ref.</i>	<i>Part Number</i>	<i>Qty.</i>	<i>Description</i>	<i>Ref.</i>	<i>Part Number</i>	<i>Qty.</i>	<i>Description</i>
1	132-9539-03	1	Console	3:11	95-3003	4	Screw-PPHTF
2	121-5152	1	Cover-Console	3:12	3256-3	1	Washer-Flat
3	106-4167	1	Joystick Bracket ASM	4	108-7602	1	Rest-Arm
3:1	115-5357-03	1	Bracket-Joystick	5	120-9752	1	Knob-Round, Yellow
3:2	106-4192	1	Spacer	6	93-5961	1	Boot-Lever
3:3	93-5547	2	Bushing-Nylon	7	121-6681	1	Stem-Joystick
3:4	105-7507	1	Hub-Pivot, Joystick	8	3218-3	1	Nut-Jam
3:5	105-8289	1	Spring-Torsion	9	3290-321	2	Screw-HWH
3:6	106-4193	2	Washer-Finger, Spring	10	132-9548	1	Decal-Console
3:7	322-9	1	Screw-HH	11	3296-12	2	Nut-Lock, NI
3:8	3296-29	1	Nut-Lock, NI	12	115-9830	8	Screw-HSBH
3:9	3290-354	2	Nut-Speed	13	104-8300	4	Nut-HF, NI
3:10	108-6496	2	Switch (W/Boot)	14	3230-3	2	Screw-CARR



Traction Interface Control Assembly

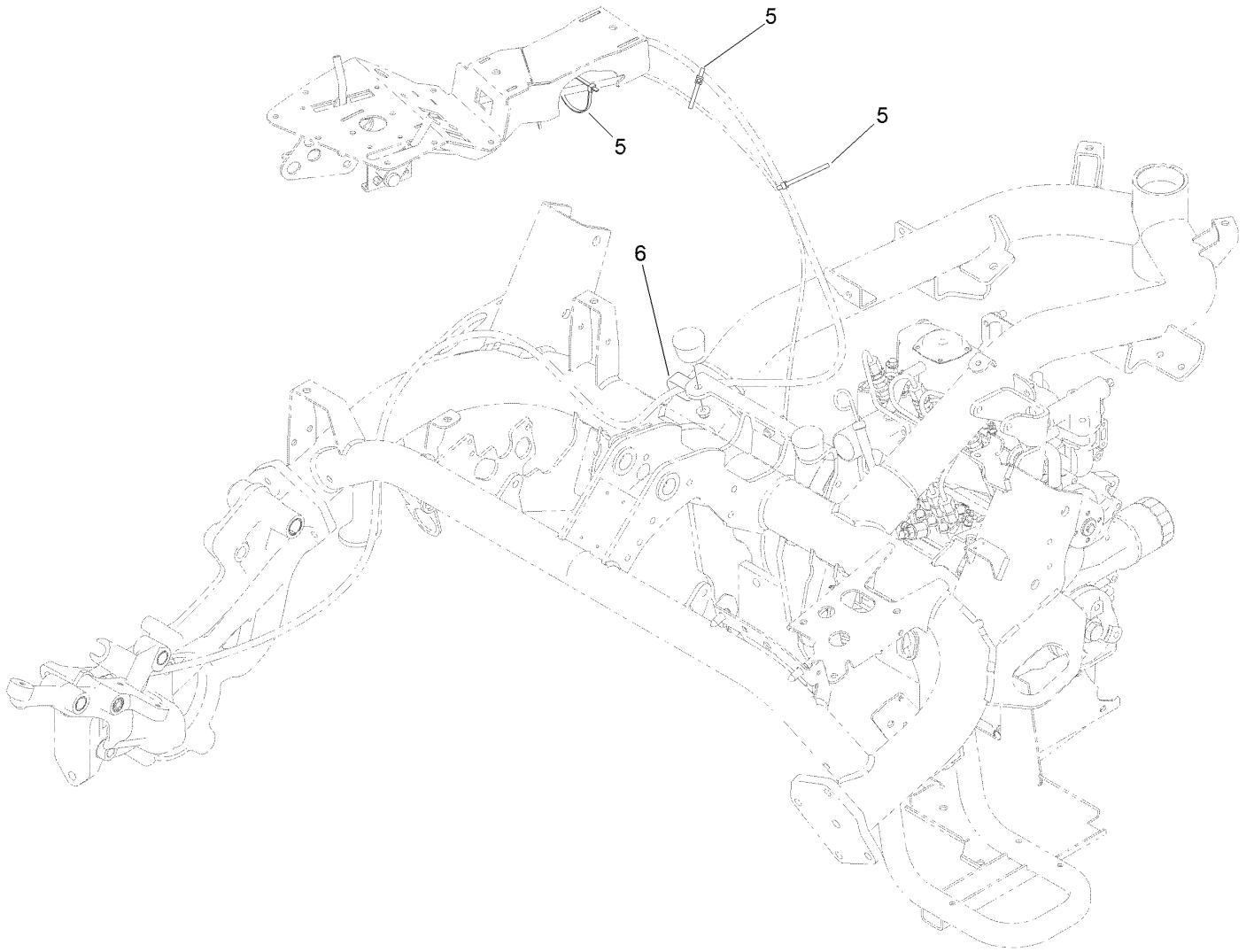
Ref.	Part Number	Qty.	Description
1	132-3822-03	1	Bracket
2	94-1378	1	Tube-Pivot, Handle
3	115-9772	1	Handle ASM
4	256-311	1	Bushing-Split
5	33115-040	1	Screw-HH
6	3256-24	1	Washer-Flat
7	33025-00	1	Nut-Lock, NI
8	120-3198	1	Roller-Pivot
9	94-9619	1	Bushing
10	3256-23	1	Washer-Plain
11	94-9618	1	Spacer-Spring
12	94-9620	1	Spring-Torsion
13	3256-67	1	Washer-Flat
14	33023-00	1	Nut-Lock
15	75-5470	2	Spacer-Bearing
16	251-259	1	Bearing-Ball

Ref.	Part Number	Qty.	Description
17	33024-00	1	Nut-Lock, NI
18	94-9617	1	Pin-Spring
19	2411-38	1	Joint-Ball
20	132-6991	1	Cable-Lock, Neutral
21	3296-27	1	Nut-Lock, NI
22	93-2279	1	Clamp-Cable
23	115-5300	2	Proximity Switch ASM
23:1	117-3207	2	Nut-Hex
23:2	117-3208	2	Washer-Lock, Internal Tooth
24	120-9753	1	Knob-Cylindrical, Orange
26	99-6810	2	Screw-HHF
27	3290-321	2	Screw-HWH
28	3296-12	2	Nut-Lock, NI
29	107069	2	Clip
32	99-7420	1	Plug-Hole



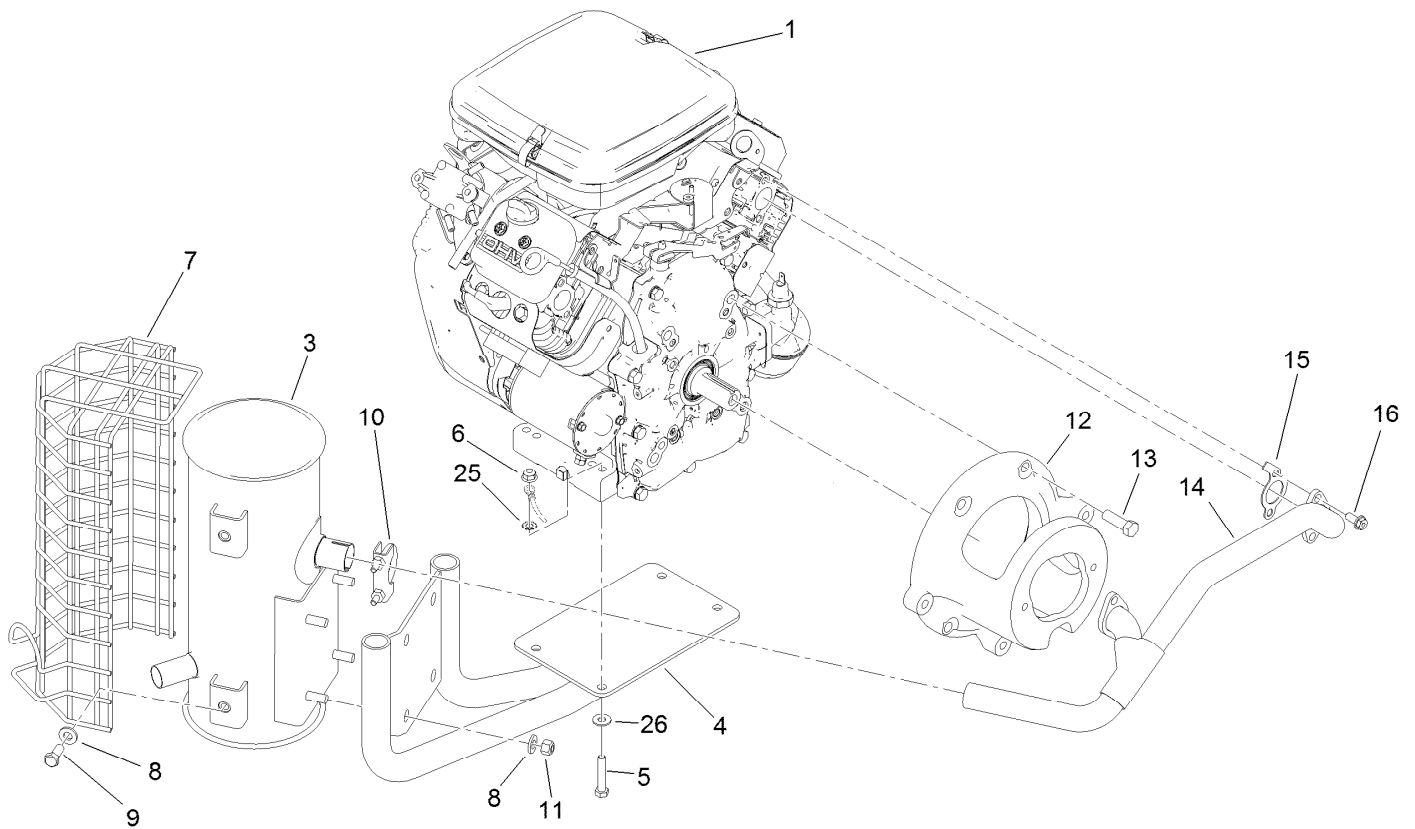
Ignition, Throttle and Choke Control Assembly

<i>Ref.</i>	<i>Part Number</i>	<i>Qty.</i>	<i>Description</i>	<i>Ref.</i>	<i>Part Number</i>	<i>Qty.</i>	<i>Description</i>
1	119-1652	1	Throttle ASM	7	132-9550	1	Decal-Console
3	3290-321	2	Screw-HWH	9	99-7420	1	Plug-Hole
4	3290-277	4	Nut-Speed	13	132-9540	1	Lever-Choke
5	131-2046	1	Decal-Light, Console	17	120-9751	1	Knob-Oval, Black
6	121-5159	1	Ignition Switch ASM	18	120-6310	1	LCD Display ASM
6:2	121-5160	1	Nut-Hex	18:1	120-4630	1	Nut-Display
6:3	121-5161	1	Nut-Face	18:2	120-6311	1	Decal-Display
6:4	121-5162	1	Ignition Key Set	24	3290-144	2	Screw-SHWH



Console Cable Routing Assembly

<i>Ref.</i>	<i>Part Number</i>	<i>Qty.</i>	<i>Description</i>
5	3290-379	4	Tie-Cable
6	120-1959	1	Clamp

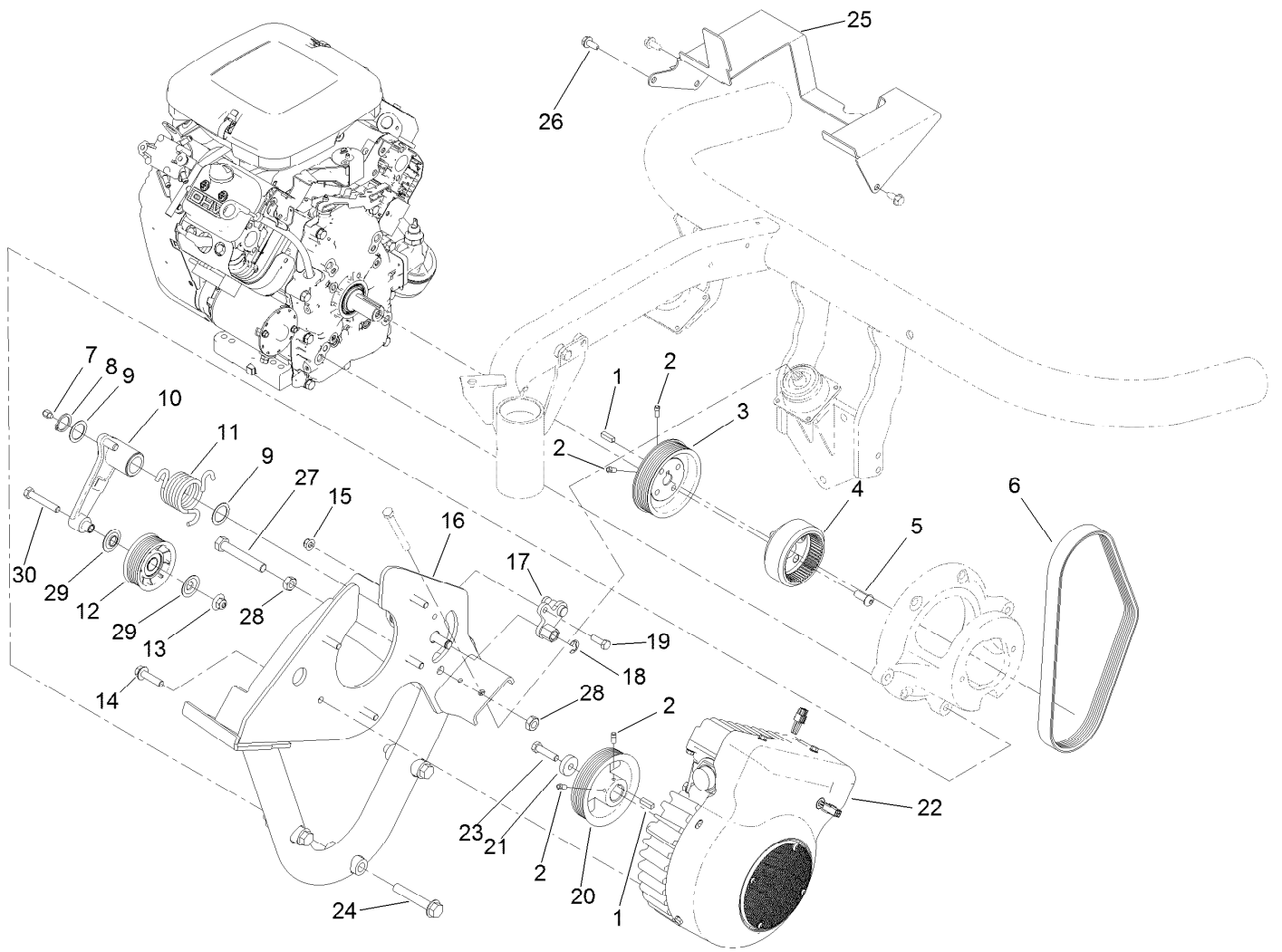


Engine and Exhaust Assembly

Ref.	Part Number	Qty.	Description	Ref.	Part Number	Qty.	Description
1	121-6662	1	Engine-Briggs & Stratton, 385447-0208-G2 ■	10	2112-11	1	Clamp-Muffler
1:1	107-7817	1	Filter-Oil, Engine ●	11	32152-2	4	Nut-Lock, Cone
3	110-4001	1	Muffler	12	117-4363-03	1	Mount-Pump
4	117-4364-03	1	Mount-Muffler	13	324-32	4	Screw-HH
5	322-10	4	Screw-HH	14	117-4379	1	Exhaust Manifold ASM
6	104-8300	4	Nut-HF, NI	15	115-8154	2	Gasket-Manifold, Exhaust
7	112-0291	1	Shield-Muffler	16	94-5300	4	Screw-HHF
8	100-4852	8	Washer-Hardened	25	3255-8	1	Washer-Lock
9	323-5	4	Screw-HH	26	87-8640	4	Washer-Flat

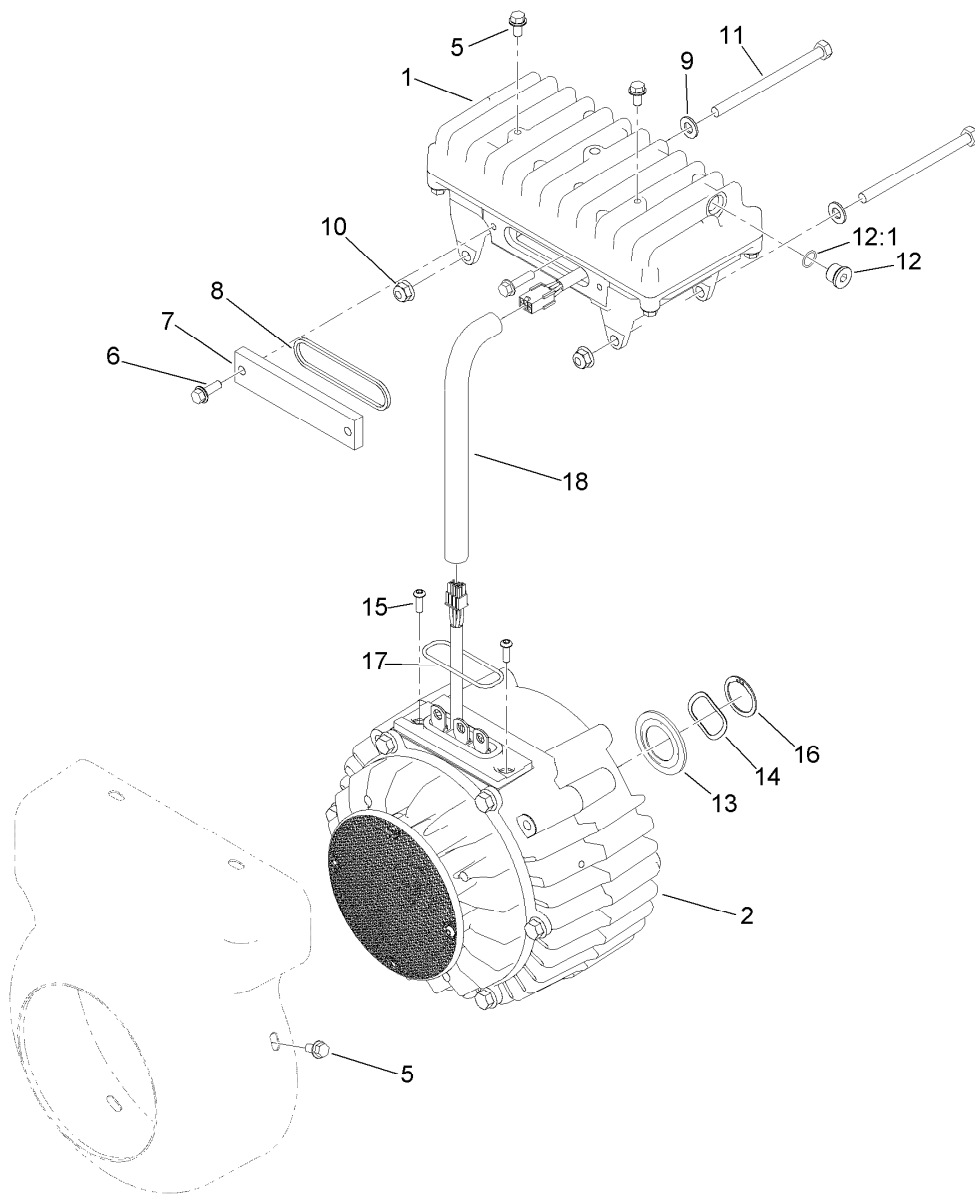
● Not illustrated

■ Obtain parts from www.briggsandstratton.com



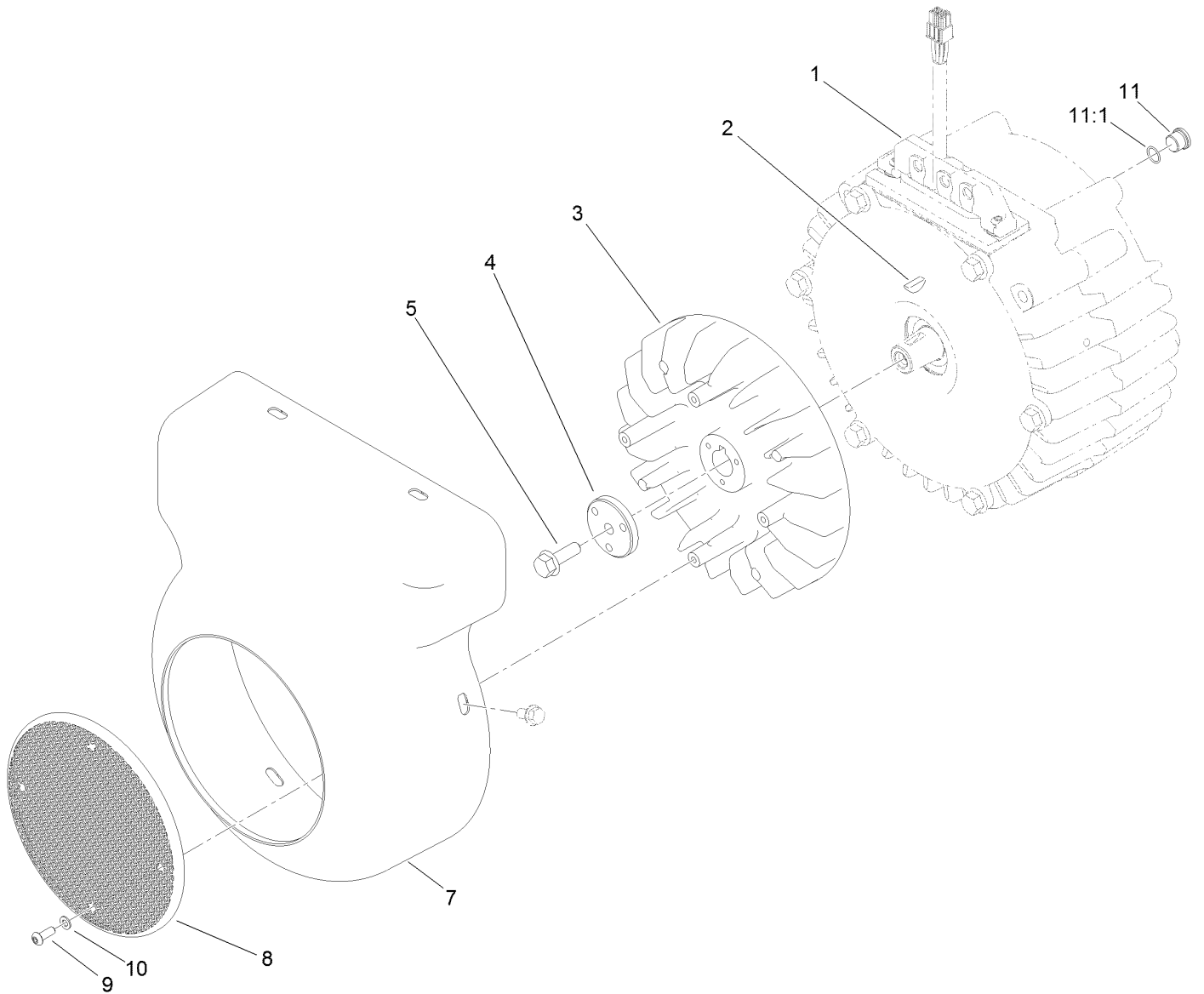
Generator and Pulley Assembly

Ref.	Part Number	Qty.	Description	Ref.	Part Number	Qty.	Description
1	10-7070	2	Key-Square	16	117-4423-03	1	Frame-Engine
2	3241-7	4	Screw-SQH	17	117-9289	1	Spring Adjust ASM
3	117-4449	1	Pulley-Engine	18	32120-47	1	Ring-Retaining, External
4	119-4484	1	Coupling	19	322-5	1	Screw-HH
5	119-8195	4	Screw-HSBH	20	115-9806	1	Pulley-Generator
6	117-4406	1	Belt-V	21	117-3657	1	Spacer
7	302-11	1	Fitting-Lube, 45 DEG	22	117-8185	1	Generator/Controller ASM
8	32151-36	1	Ring-Retaining	23	3211-6	1	Screw-HH
9	74-1810	2	Washer	24	3234-40	3	Screw-HF
10	117-9292	1	Idler Bracket ASM	25	115-8197-03	1	Shield-Belt
11	117-9282	1	Spring-Torsion	26	32104-32	1	Screw-HWH
12	120-5766	1	Pulley ASM	27	325-13	1	Screw-HH
13	109-6658	1	Nut-Flange, NI	28	3218-5	2	Nut-Jam
14	114-4681	5	Screw-HHF	29	120-5757	2	Washer-Flange
15	104-8300	1	Nut-HF, NI	30	323-11	1	Screw-HH



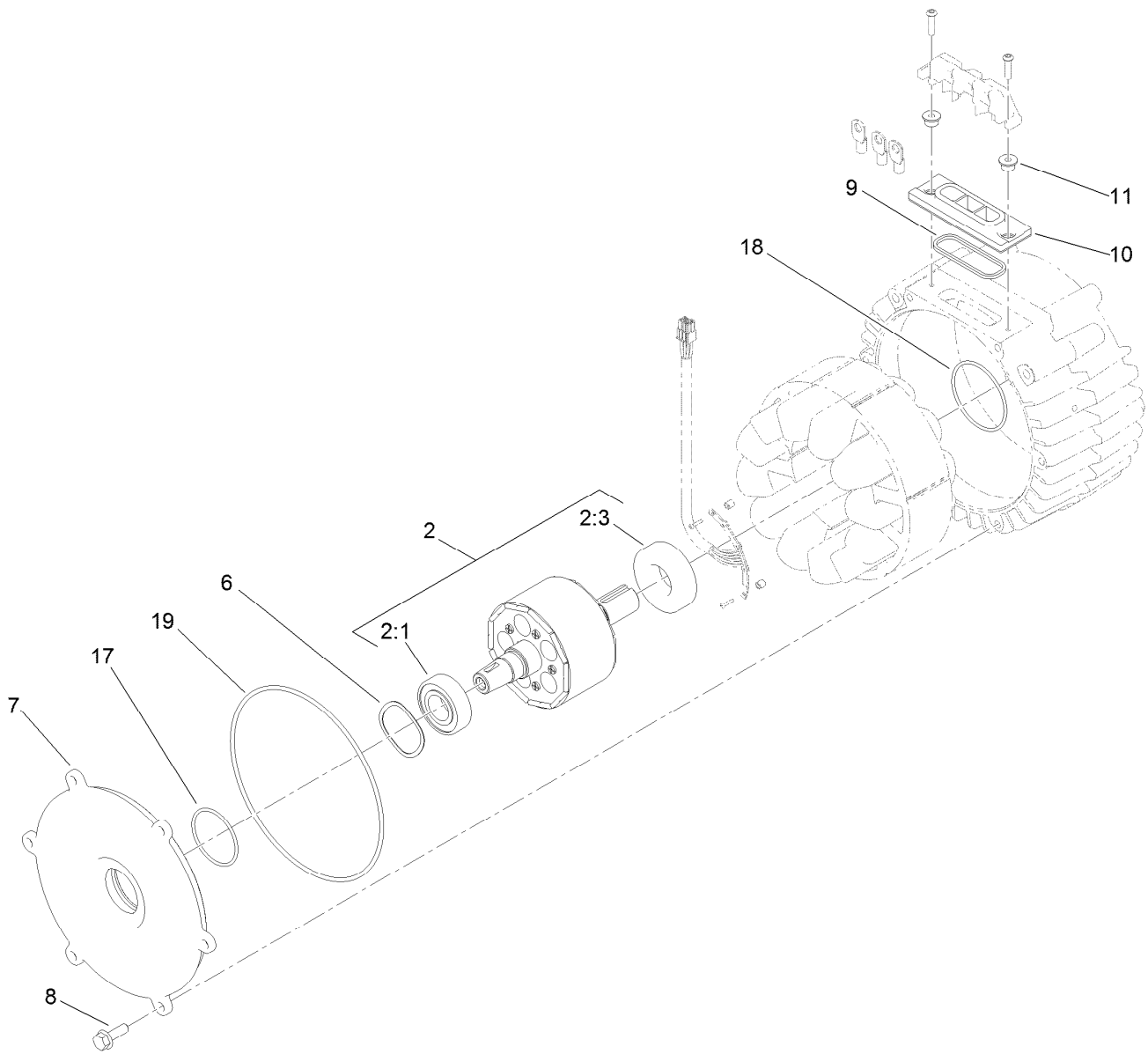
Generator/Controller Assembly No. 117-8185

<i>Ref.</i>	<i>Part Number</i>	<i>Qty.</i>	<i>Description</i>	<i>Ref.</i>	<i>Part Number</i>	<i>Qty.</i>	<i>Description</i>
1	117-8181	1	Controller ASM	12	353-989	1	Plug-Hex, Hollow
2	117-8182	1	Generator ASM	12:1	237-42	1	O-Ring
5	119-1065	6	Screw-HWH	13	115-3299	1	Seal-Flocked
6	119-1138	2	Screw-HWH	14	117-8147	1	Washer-Wave
7	120-4511	1	Cover-Access	15	119-7568	2	Screw-HSBH
8	120-4513	1	Gasket-Cover, Access	16	121-7130	1	Ring-Retaining, EXT
9	3256-23	2	Washer-Plain	17	117-8176	1	O-Ring
10	104-8300	2	Nut-HF, NI	18	127-2747	1	Sleeve-Harness, Expandable
11	322-38	2	Screw-HH				



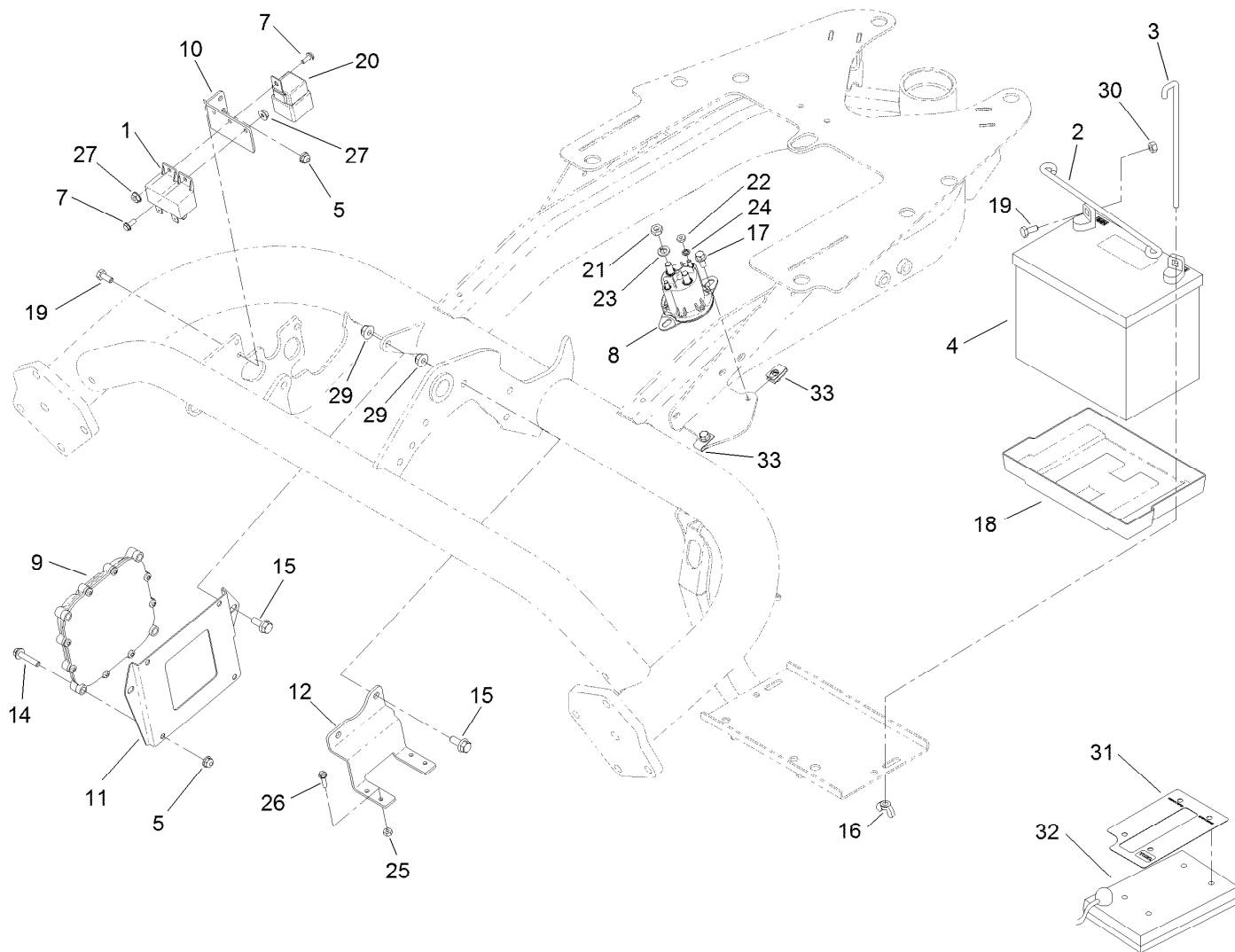
Generator Assembly No. 117-8182

Ref.	Part Number	Qty.	Description
1	119-1069	1	Generator Service ASM
2	112-5193	1	Key-Woodruff
3	117-8184	1	Fan-Generator
4	112-9604	1	Collar
5	33104-025	1	Screw-HHF
7	121-7082	1	Cover-Generator
8	120-4582	1	Screen-Fan
9	120-4564	4	Screw-Bhcs
10	120-4563	4	Washer-Flat
11	353-989	1	Plug-Hex, Hollow
11:1	237-42	1	O-Ring



Generator Service Assembly No. 119-1069

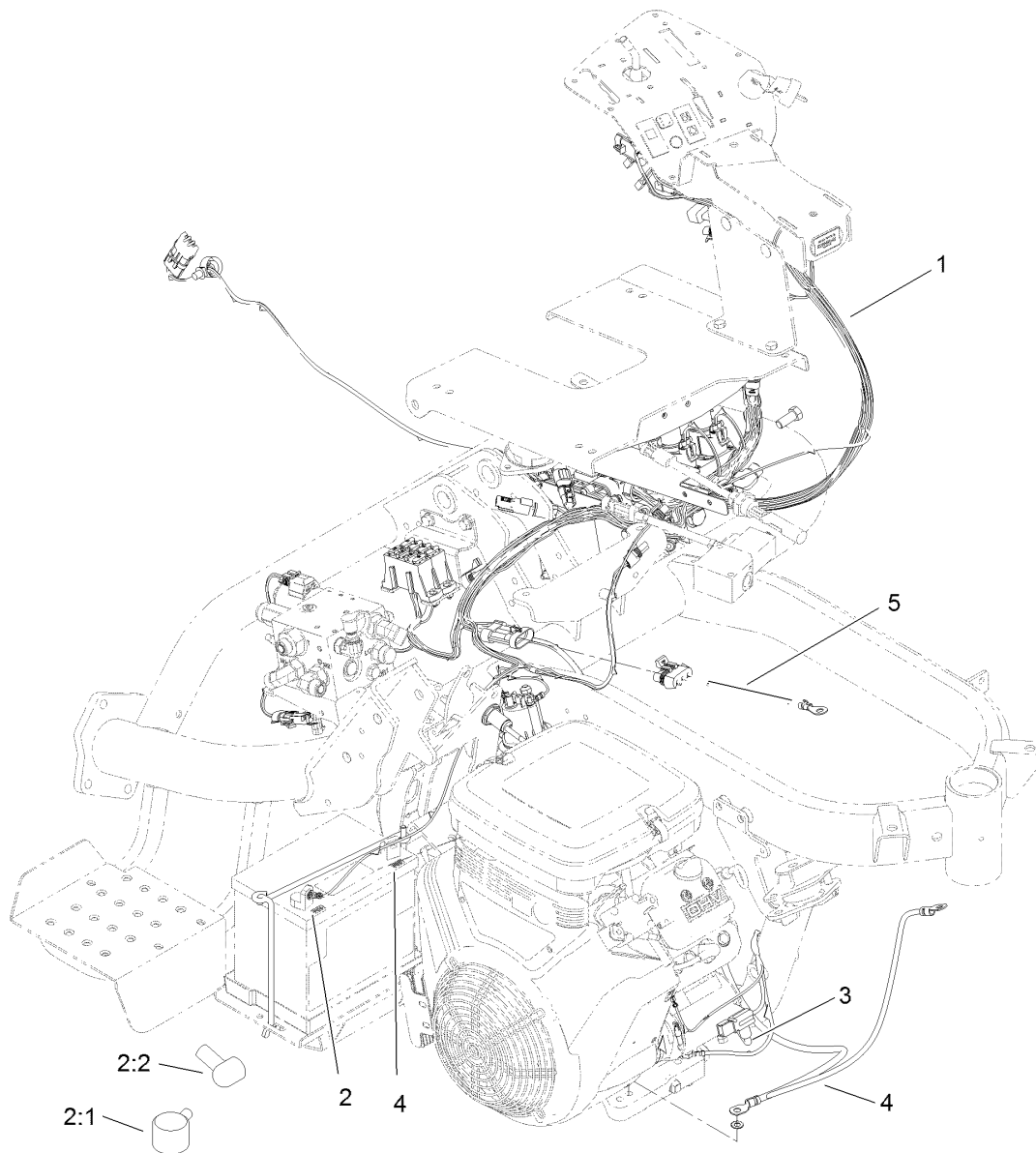
<i>Ref.</i>	<i>Part Number</i>	<i>Qty.</i>	<i>Description</i>
2	119-7565	1	Rotor ASM
2:1	120-4621	1	Bearing
2:3	120-4622	1	Bearing
6	117-8148	1	Washer-Wave
7	117-4514	1	Cover-Generator
8	33104-025	6	Screw-HHF
9	120-4518	1	Gasket-Isolator
10	112-5155	1	Isolator-Thermal
11	117-4501	2	Spacer-Shoulder
17	107-3244	1	O-Ring
18	117-8177	1	O-Ring
19	112-5199	1	O-Ring



Battery Assembly

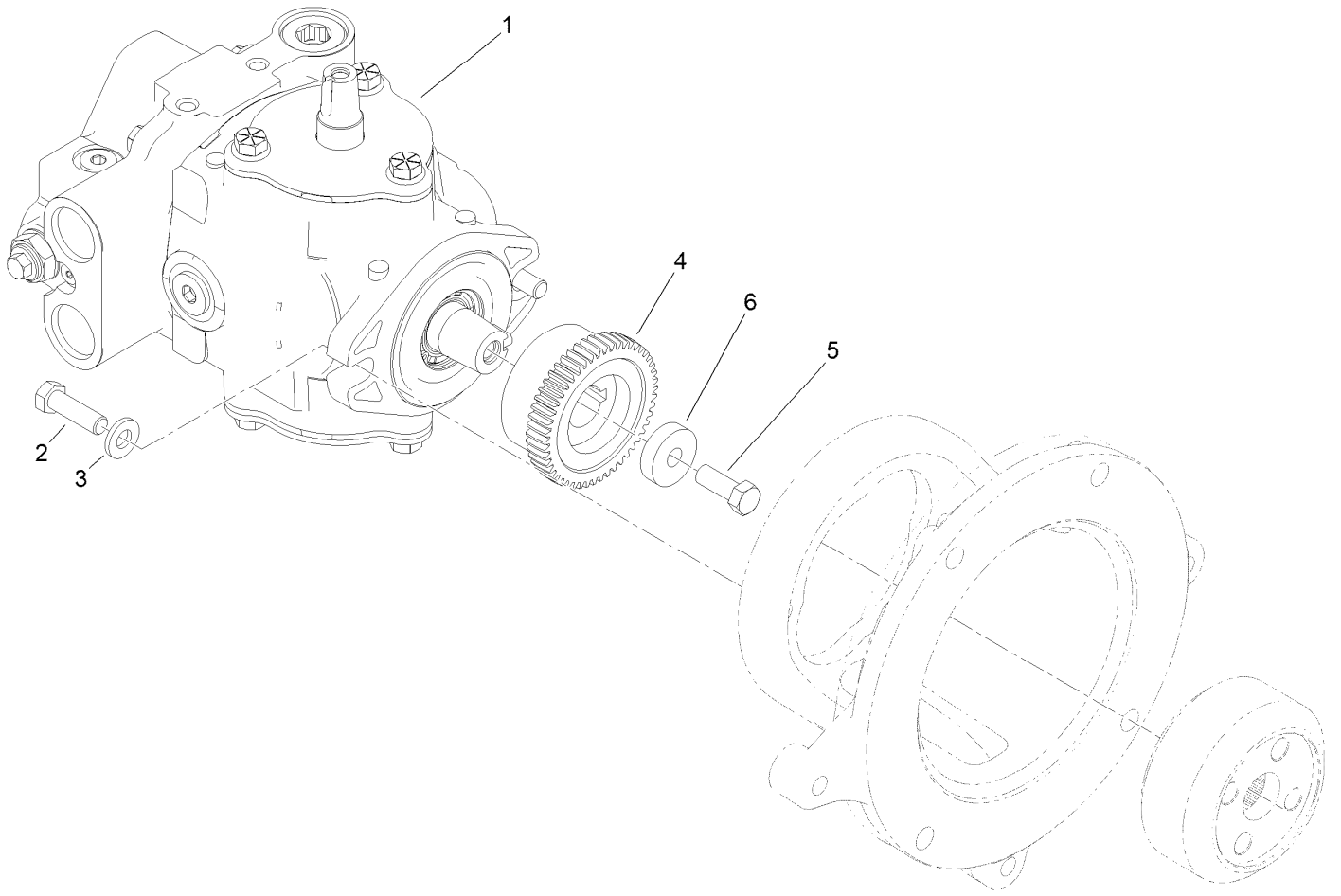
Ref.	Part Number	Qty.	Description
1	99-7435	2	Relay-Power
2	100-6434	1	Rod-Hold Down, Battery
3	100-6435	2	Post-Battery
4	104-8162	1	Battery-Dry
5	104-7201	6	Nut-HF
7	112-6349	2	Screw-HWH
8	114-3315	1	Solenoid
9	115-1900	1	Controller
10	119-2097-01	1	Bracket-Relay
11	119-2099-01	1	Plate-Mounting, Controller
12	119-2119-01	1	Bracket-Block, Fuse
14	3234-21	4	Screw-HHF
15	3234-47	4	Screw-HHF
16	32103-22	2	Nut-Wing
17	3234-33	2	Screw-HHF

Ref.	Part Number	Qty.	Description
18	106948	1	Tray-Battery
19	321-3	2	Screw-HH
20	99-7430	1	Relay
21	3220-2	2	Nut-Jam
22	3219-14	2	Nut-Hex
23	3253-4	2	Washer-Lock
24	3254-1	2	Washer-Lock, Int
25	3296-2	4	Nut-Lock, NI
26	32105-13	4	Screw-HWH
27	32149-8	2	Nut-Keps
29	104-8300	4	Nut-HF, NI
30	3217-5	2	Nut-Hex
31	115-8227	1	Decal-Controller
32	85-4750	1	Box-Display, Diagnostic
33	107069	2	Clip



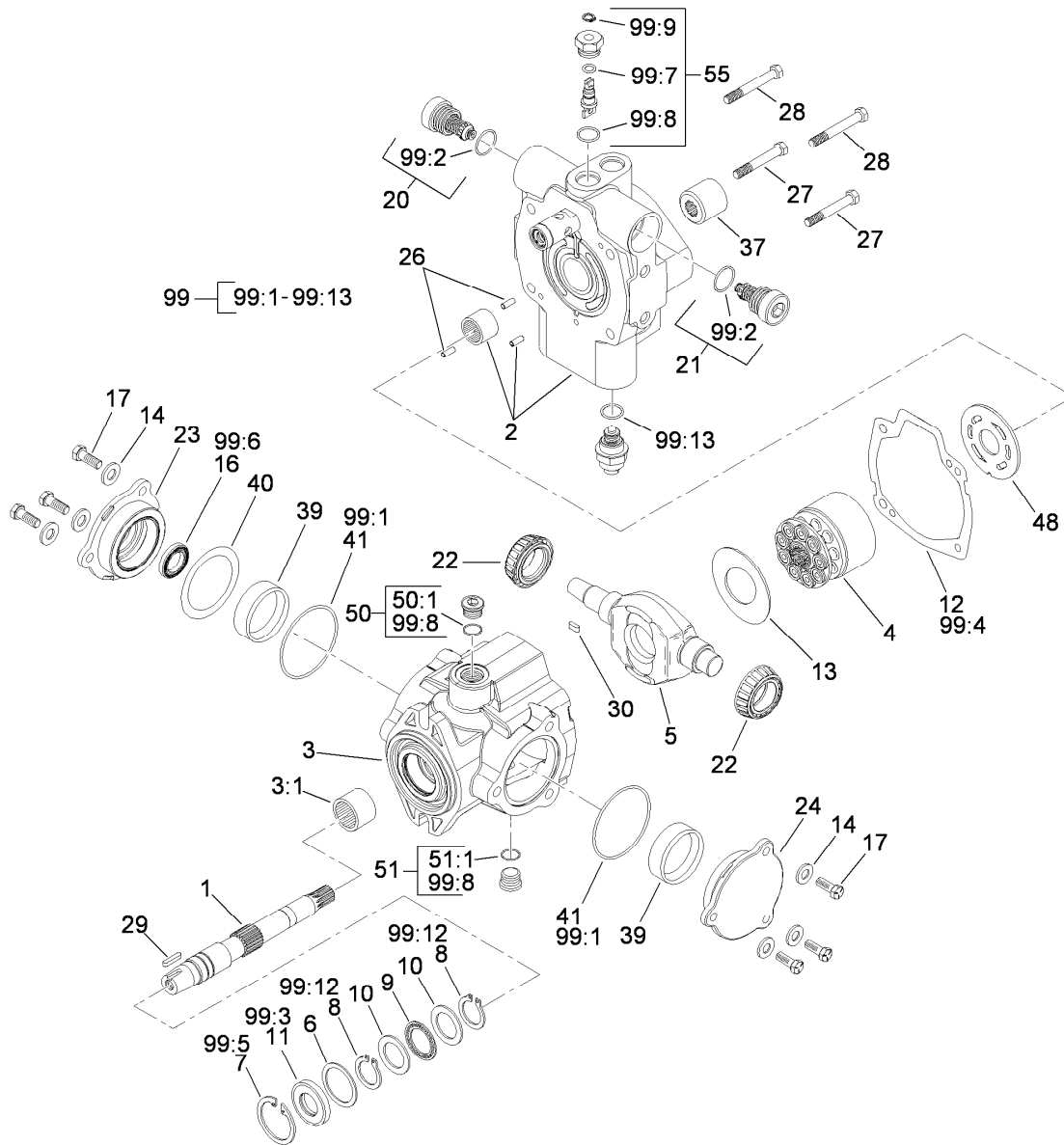
Wire Harness Assembly

<i>Ref.</i>	<i>Part Number</i>	<i>Qty.</i>	<i>Description</i>
1	122-0652	1	Harness-Wire
2	109-7653	1	Positive Battery Cable ASM
2:1	109-2407	1	Insulator-Battery
2:2	1-543393	1	Insulator-Solenoid
3	119-1781	1	Cable-Battery, Positive
4	114-9748	1	Cable-Battery, Negative
5	99-3441	1	Harness-Wire, Fusible Link



Pump Coupling Assembly

<i>Ref.</i>	<i>Part Number</i>	<i>Qty.</i>	<i>Description</i>
1	121-9558	1	HYD Pump ASM
2	323-7	2	Screw-HH
3	100-4852	2	Washer-Hardened
4	119-4418	1	Coupling
5	3211-4	1	Screw-HH
6	117-3657	1	Spacer

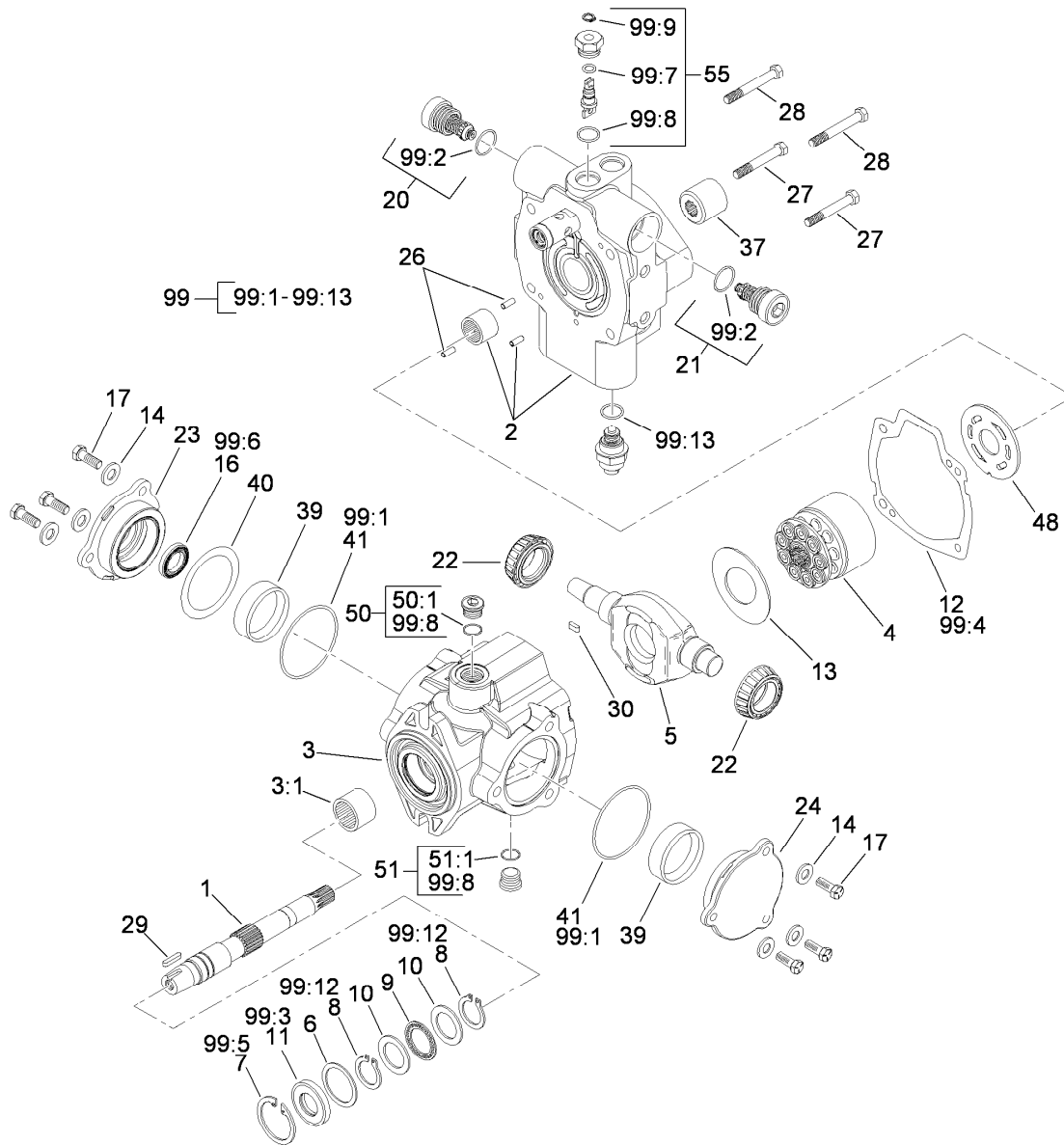


Hydraulic Pump Assembly No. 121-9558

Ref.	Part Number	Qty.	Description	Ref.	Part Number	Qty.	Description
1	119-7148	1	Shaft-Drive, Tapered	21	120-1989	1	Relief Valve ASM
2	121-9574	1	Endcover ASM	22	98-4639	2	Bearing-Cone
3	100-3176	1	Housing ASM	23	98-4645	1	Plate-Cover
3:1	94-6363	1	Bearing	24	98-4644	1	Plate-Cover
4	76-6070	1	Rotating Kit	26	76-6150	2	Pin-Dowel
5	104-4888	1	Swashplate	27	76-6160	2	Capscrew
6	33-3720	1	Washer	28	76-6170	2	Capscrew
7	32151-13	1	Ring-Retaining	29	120-5751	1	Key
8	32151-29	2	Ring-Retaining	30	94-3646	1	Key
9	252-66	1	Bearing-Thrust	37	74-9040	1	Coupler
10	252-71	2	Washer-Thrust	39	104-4046	2	Bearing-Cup
11	104-4861	1	Seal-Shaft	40	100-3182	1	Shim Kit
12	33-4930	1	Gasket-Housing	41	100-3179	2	O-Ring
13	98-4635	1	Insert-Plate, Cam	48	100-3180	1	Plate-Valve
14	105-9762	6	Washer	50	74-9280	1	Plug ASM
16	76-6190	1	Seal-Shaft	50:1		1	O-Ring ■
17	98-4640	6	Screw-Cap	51	74-9280	1	Plug ASM
20	120-1989	1	Relief Valve ASM	51:1		1	O-Ring ■

● Not illustrated

■ Not serviced separately

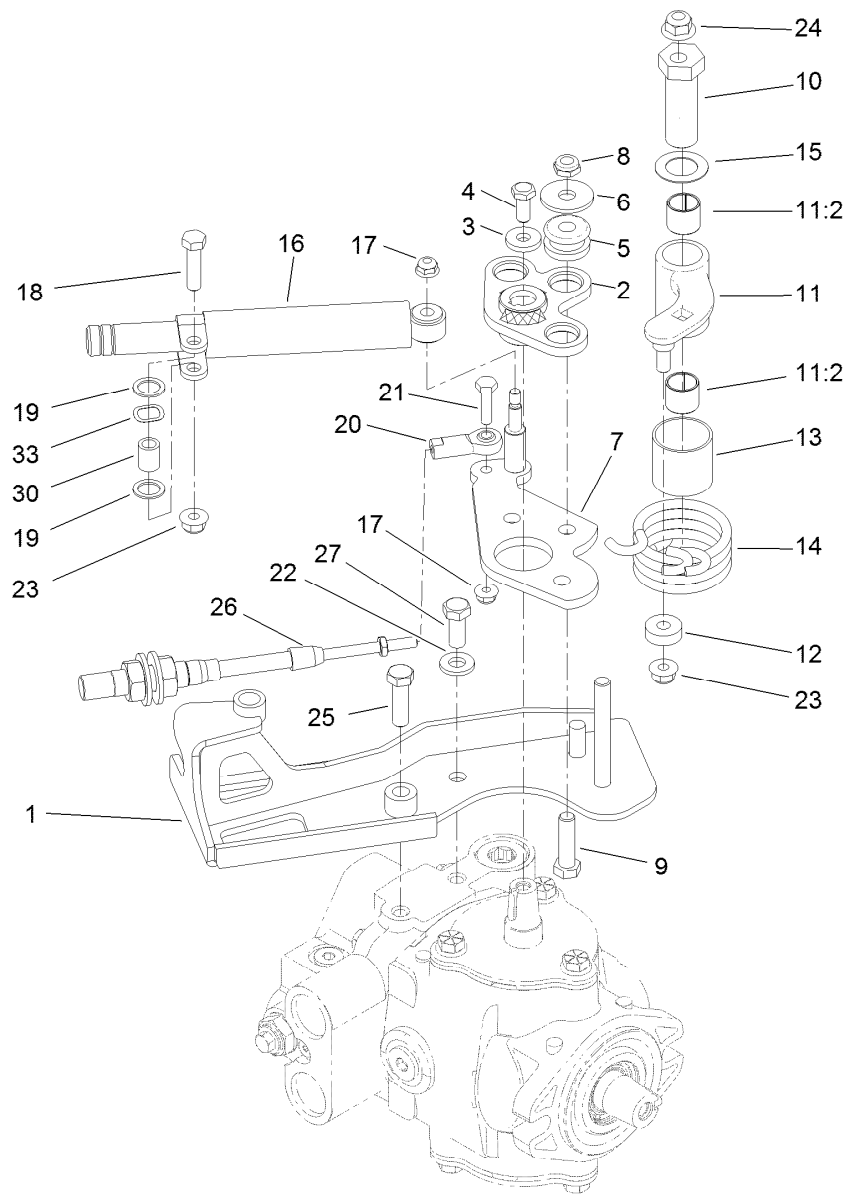


Hydraulic Pump Assembly No. 121-9558 (continued)

Ref.	Part Number	Qty.	Description	Ref.	Part Number	Qty.	Description
55	105-3811	1	Valve-Bypass	99:7		1	O-Ring ■
99	120-5754	1	Seal Kit	99:8		5	O-Ring ■
99:1		2	O-Ring ■	99:9		1	Ring-Retaining ■
99:2		2	O-Ring ■	99:10		1	O-Ring ●■
99:3		1	Seal-Shaft ■	99:11		1	O Ring-Molded ●■
99:4		1	Gasket ■	99:12		2	Ring-Retaining ■
99:5		1	Ring-Retaining ■	99:13		1	O-Ring ●■
99:6		1	Seal-Shaft ■				

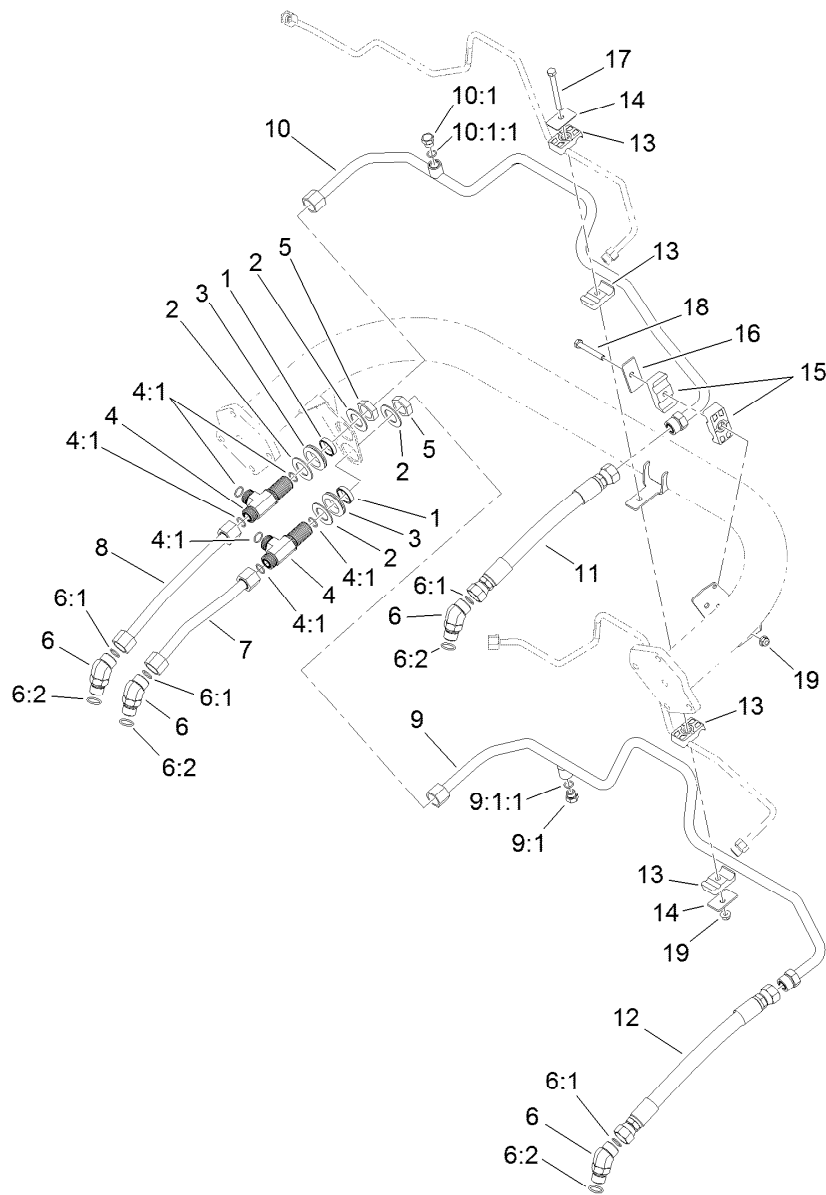
● Not illustrated

■ Not serviced separately



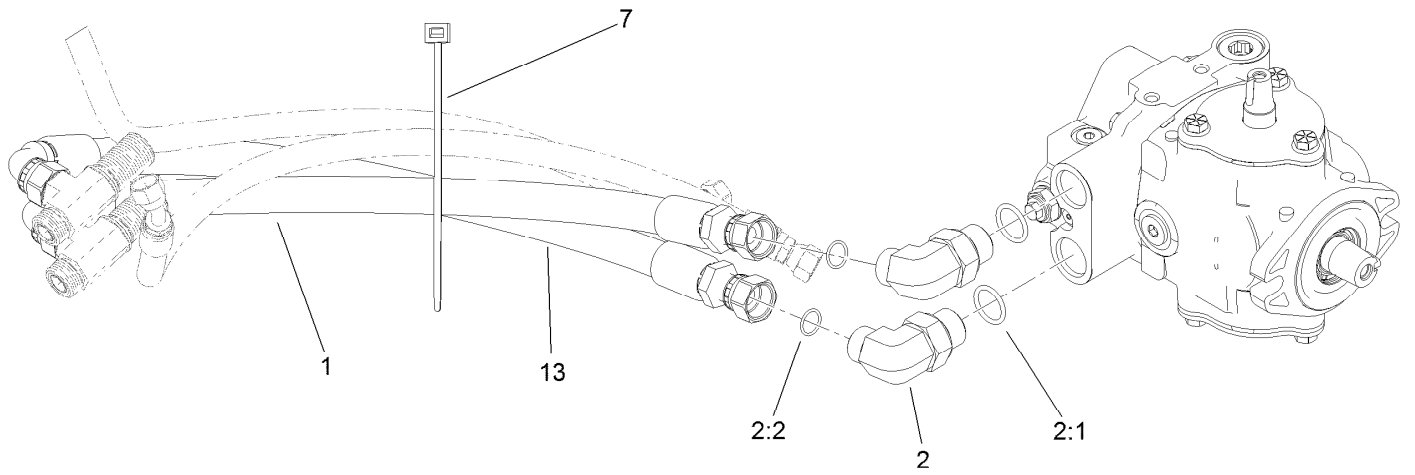
Neutral Centering Assembly

<i>Ref.</i>	<i>Part Number</i>	<i>Qty.</i>	<i>Description</i>	<i>Ref.</i>	<i>Part Number</i>	<i>Qty.</i>	<i>Description</i>
1	120-2017	1	Support-Cable	15	119-8199	1	Washer-Nylon
2	132-9582	1	Plate ASM	16	76-8870	1	Damper-Lever
3	88-7200	1	Washer-Flat	17	104-7201	2	Nut-HF
4	3235-6	1	Screw-HH	18	322-6	1	Screw-HH
5	63-9750	3	Mount	19	94-8196	2	Washer-Nylon
6	93-8806	3	Washer-Hardened	20	2411-41	1	Rod End-Ball Joint
7	117-9061	1	Lever-Pump	21	321-6	1	Screw-HH
8	3296-59	3	Nut-Lock, NI	22	100-4852	1	Washer-Hardened
9	323-29	3	Screw-HH	23	104-8300	2	Nut-HF, NI
10	117-9046	1	Stud-Eccentric	24	104-8301	1	Nut-HF, NI
11	117-9053	1	Neutral Arm ASM	25	323-7	1	Screw-HH
11:2	94-9609	2	Bushing-Straight	26	119-1735	1	Cable-Control, Traction
12	251-259	1	Bearing-Ball	27	323-5	1	Screw-HH
13	115-8158	1	Spacer-Spring	30	94-8197	1	Tube-Pivot
14	117-9047	1	Spring-Torsion	33	108473	1	Washer-Wave



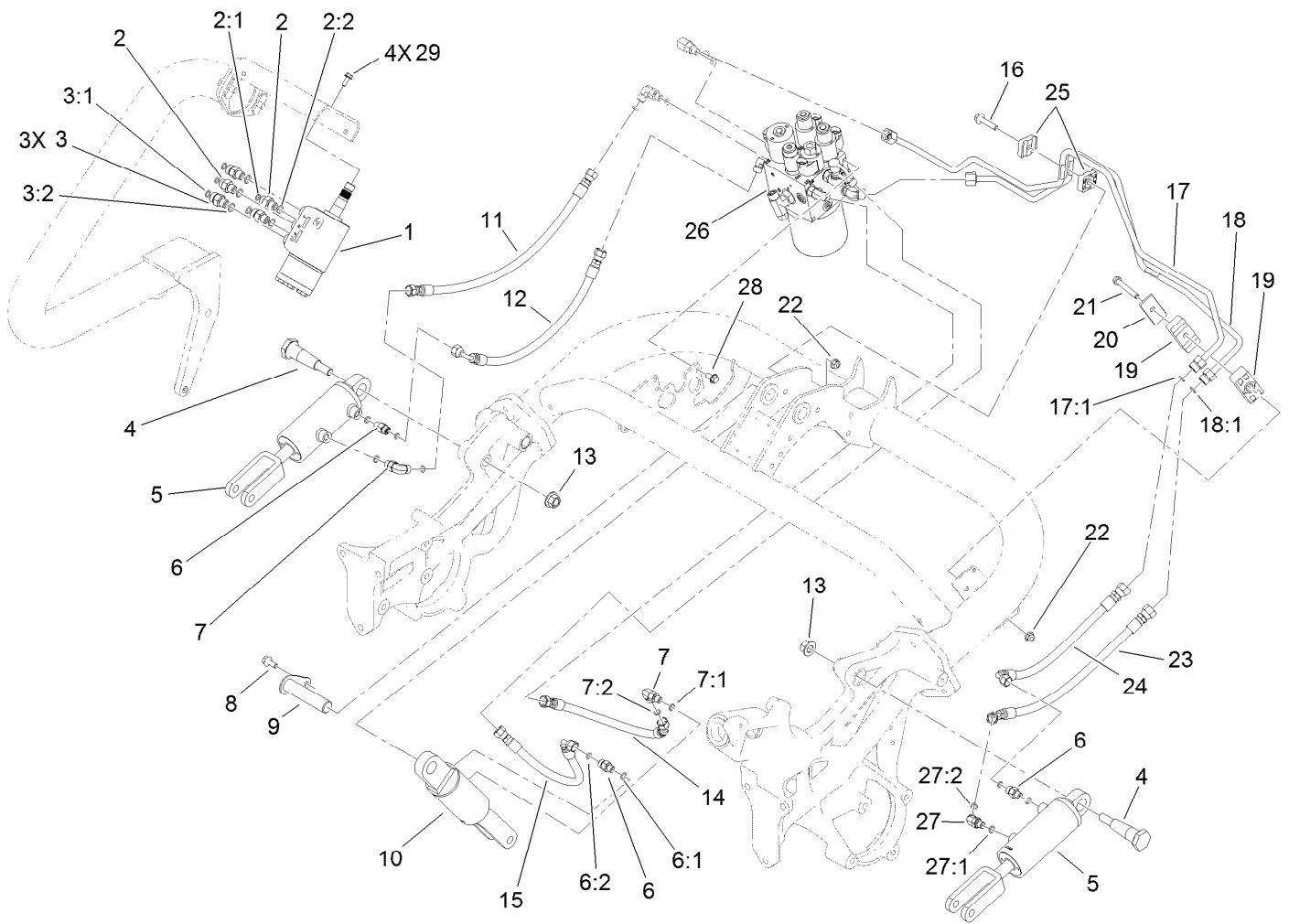
Traction Drive Hydraulic Line Assembly

<i>Ref.</i>	<i>Part Number</i>	<i>Qty.</i>	<i>Description</i>	<i>Ref.</i>	<i>Part Number</i>	<i>Qty.</i>	<i>Description</i>
1	125-1984	2	Spacer	9:1:1	237-42	1	O-Ring
2	69-9010	4	Washer	10	119-2064	1	HYD Tube ASM
3	240-3	2	Grommet-Rubber	10:1	353-508	1	Plug-HH
4	94-5350	2	Tee-Bulkhead	10:1:1	237-42	1	O-Ring
4:1	237-65	3	O-Ring	11	115-9484	1	HYD Hose ASM
5	340-74	2	Nut-Lock, Bulkhead	12	115-9485	1	HYD Hose ASM
6	340-14	4	Fitting-HYD-45	13	56-7970	4	Clamp-Tube
6:1	237-65	1	O-Ring	14	69-9760	2	Coverplate
6:2	237-80	1	O-Ring	15	119-8173	2	Clamp-Tube
7	119-2057	1	HYD Tube ASM	16	69-9761	1	Plate-Cover
8	119-2058	1	HYD Tube ASM	17	322-20	1	Screw-HH
9	119-2063	1	HYD Tube ASM	18	322-12	1	Screw-HH
9:1	353-508	1	Plug-HH	19	104-8300	2	Nut-HF, NI



Traction Drive Hose Routing Assembly

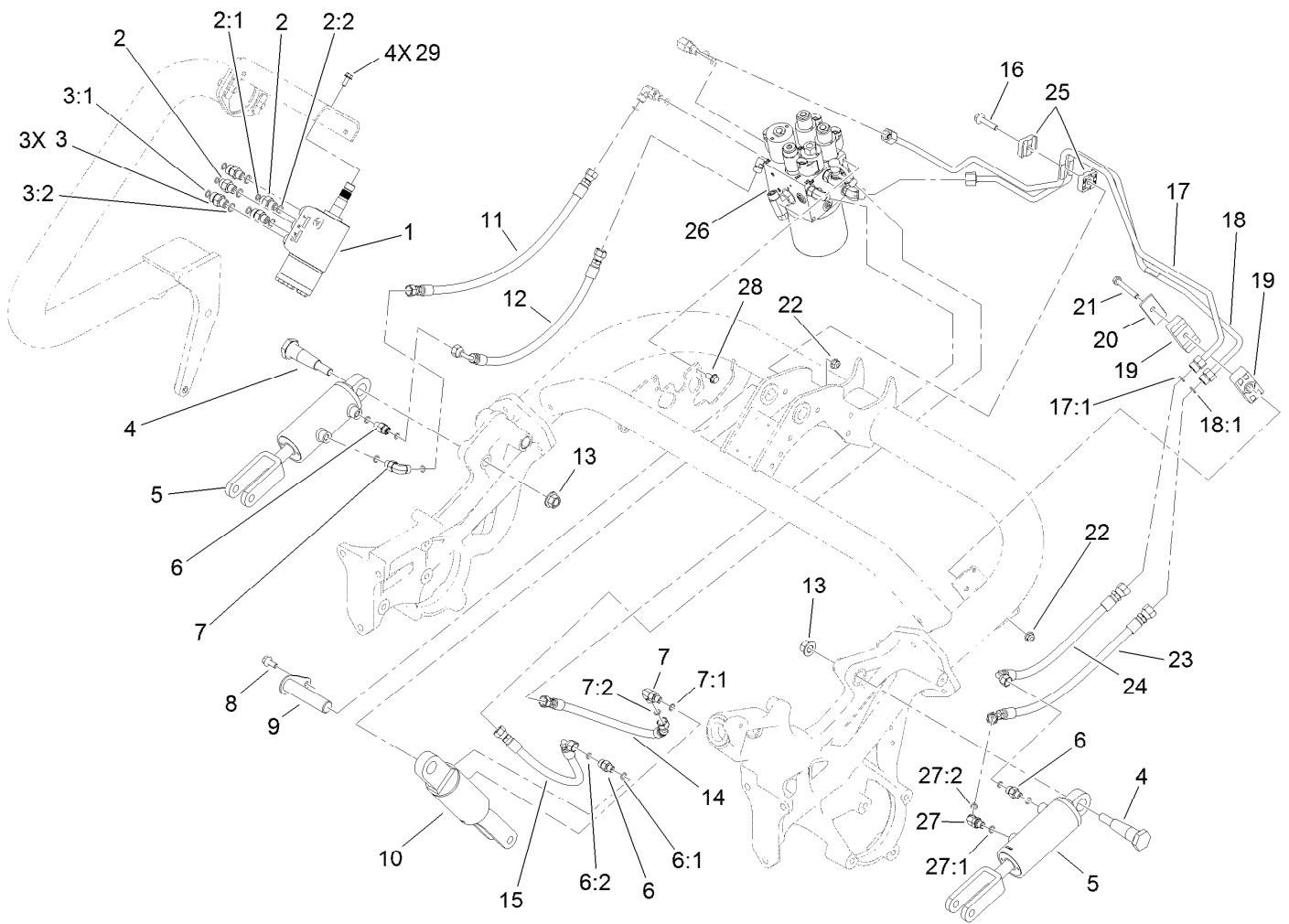
<i>Ref.</i>	<i>Part Number</i>	<i>Qty.</i>	<i>Description</i>
1	119-2060	1	HYD Hose ASM
2	340-139	2	Fitting-Elbow 90
2:1	237-81	1	O-Ring
2:2	237-65	1	O-Ring
7	3290-378	1	Tie-Cable
13	120-1988	1	HYD Hose ASM



Lift Circuit Assembly

Ref.	Part Number	Qty.	Description	Ref.	Part Number	Qty.	Description
1	114-4672	1	Steering Valve ASM	10	119-8128	1	No. 1 HYD Cylinder ASM
2	340-1	2	Fitting-Straight	11	119-2052	1	HYD Hose ASM
2:1	237-21	1	O-Ring	12	119-2053	1	HYD Hose ASM
2:2	237-42	1	O-Ring	13	99-5107	2	Nut-Lock
3	340-2	3	Fitting-Straight	14	119-2051	1	HYD Hose ASM
3:1	237-22	1	O-Ring	15	119-2050	1	HYD Hose ASM
3:2	237-42	1	O-Ring	16	115-1794	1	Screw-HHF
4	112-5709	2	Pin-Tapered	17	119-8126	1	HYD Tube ASM
5	119-8129	2	No. 2 And 3 HYD Cylinder ASM	17:1	237-22	1	O-Ring
6	340-92	3	Fitting-Straight	18	119-8127	1	HYD Tube ASM
6:1	237-78	1	O-Ring	18:1	237-22	1	O-Ring
6:2	237-21	1	O-Ring	19	120-3200	2	Clamp-Tube
7	340-132	2	Fitting-90 DEG	20	69-9761	1	Plate-Cover
7:1	237-78	1	O-Ring	21	322-12	1	Screw-HH
7:2	237-21	1	O-Ring	22	104-8300	3	Nut-HF, NI
8	3234-47	1	Screw-HHF	23	119-2066	1	HYD Hose ASM
9	119-8104	1	Pin ASM	24	119-2065	1	Hose-HYD
				25	56-7973	2	Clamp-Tube

● Not serviced separately

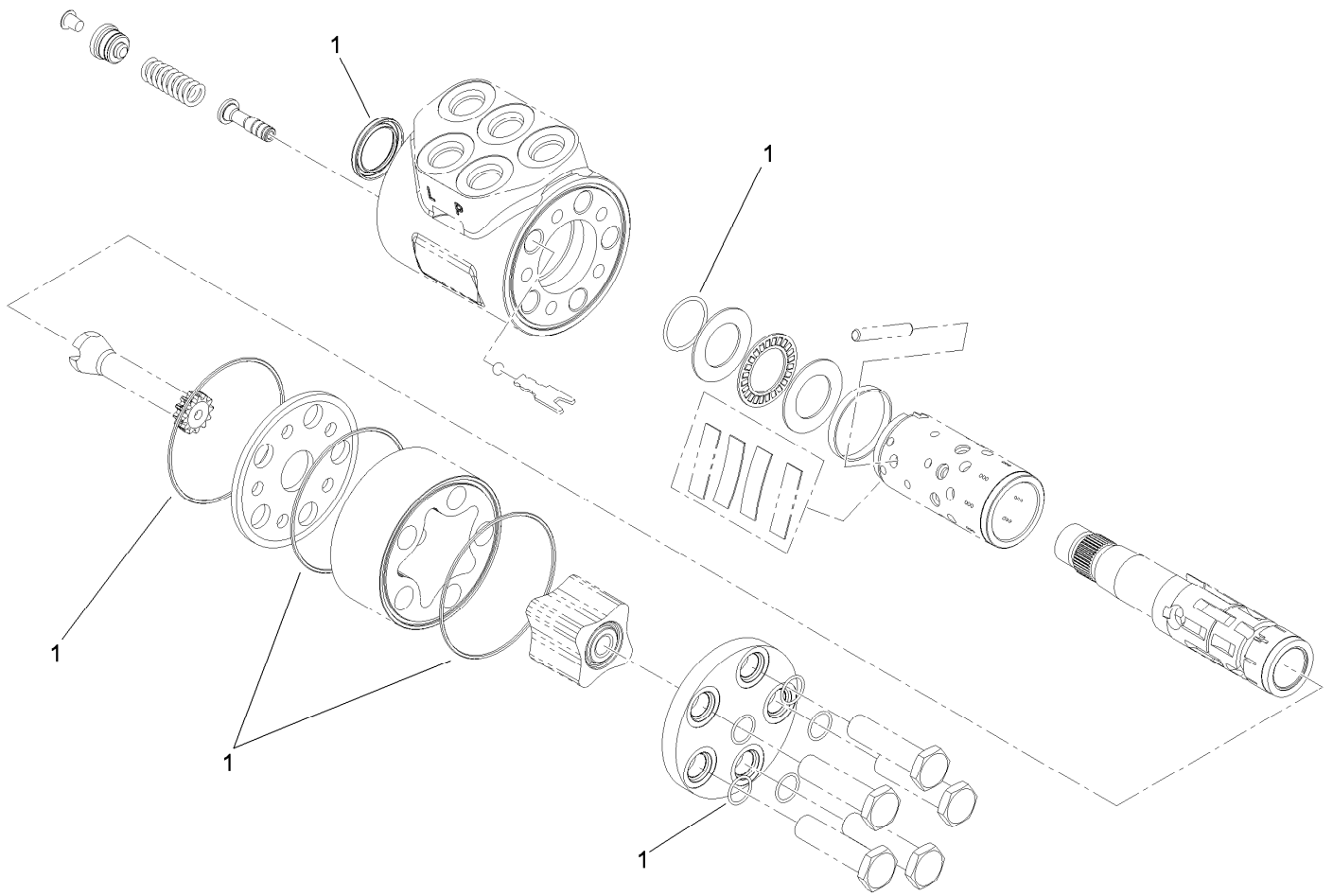


Lift Circuit Assembly (continued)

Ref.	Part Number	Qty.	Description
26		1	Hydraulic Lift Manifold ASM ●
27	340-103	1	Fitting-HYD, 45 DEG
27:1	237-78	1	O-Ring

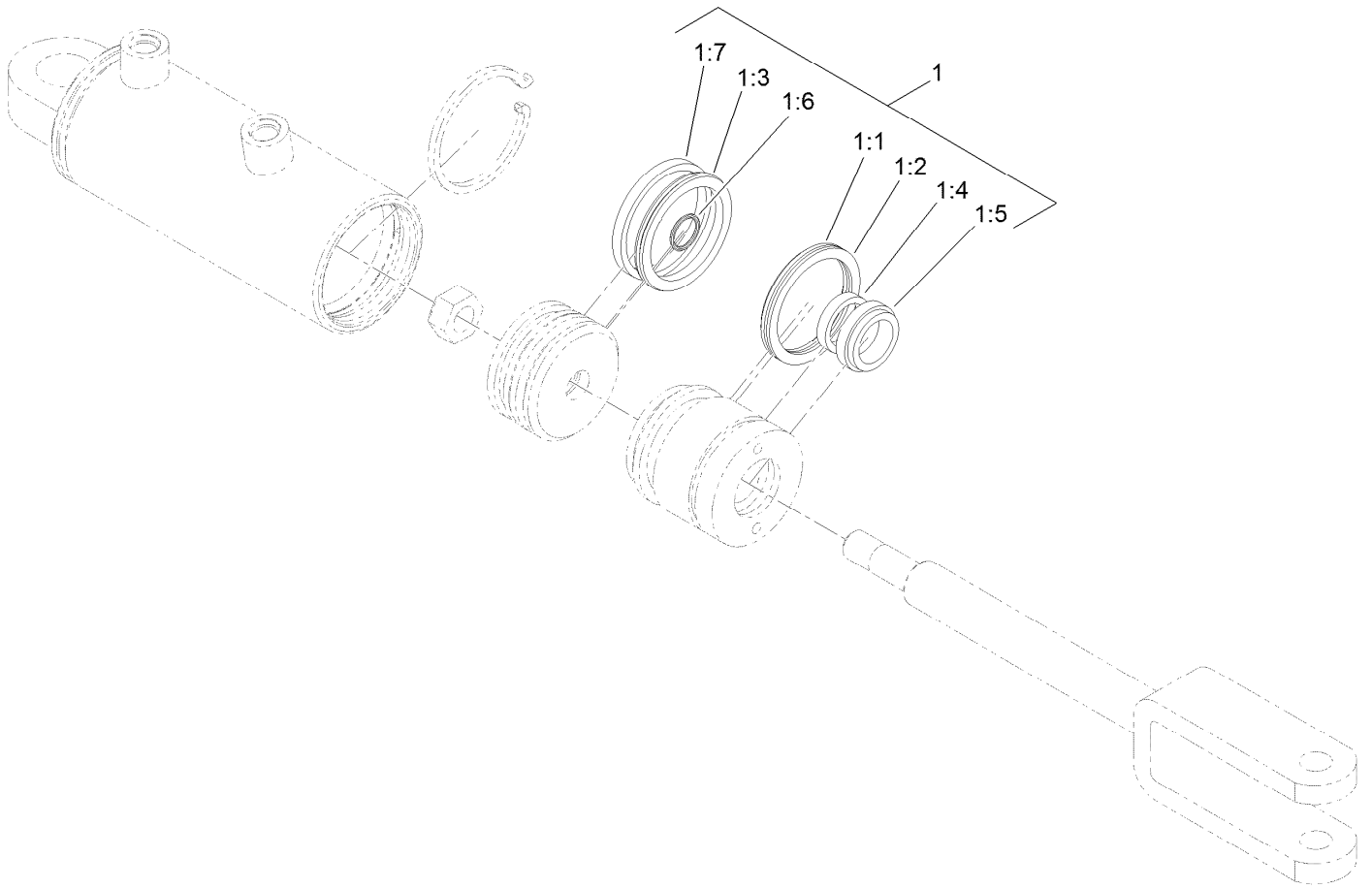
Ref.	Part Number	Qty.	Description
27:2	237-21	1	O-Ring
28	3234-7	2	Screw-HHF
29	33103-016	4	Screw-HHF

● Not serviced separately



Steering Valve Assembly No. 114-4672

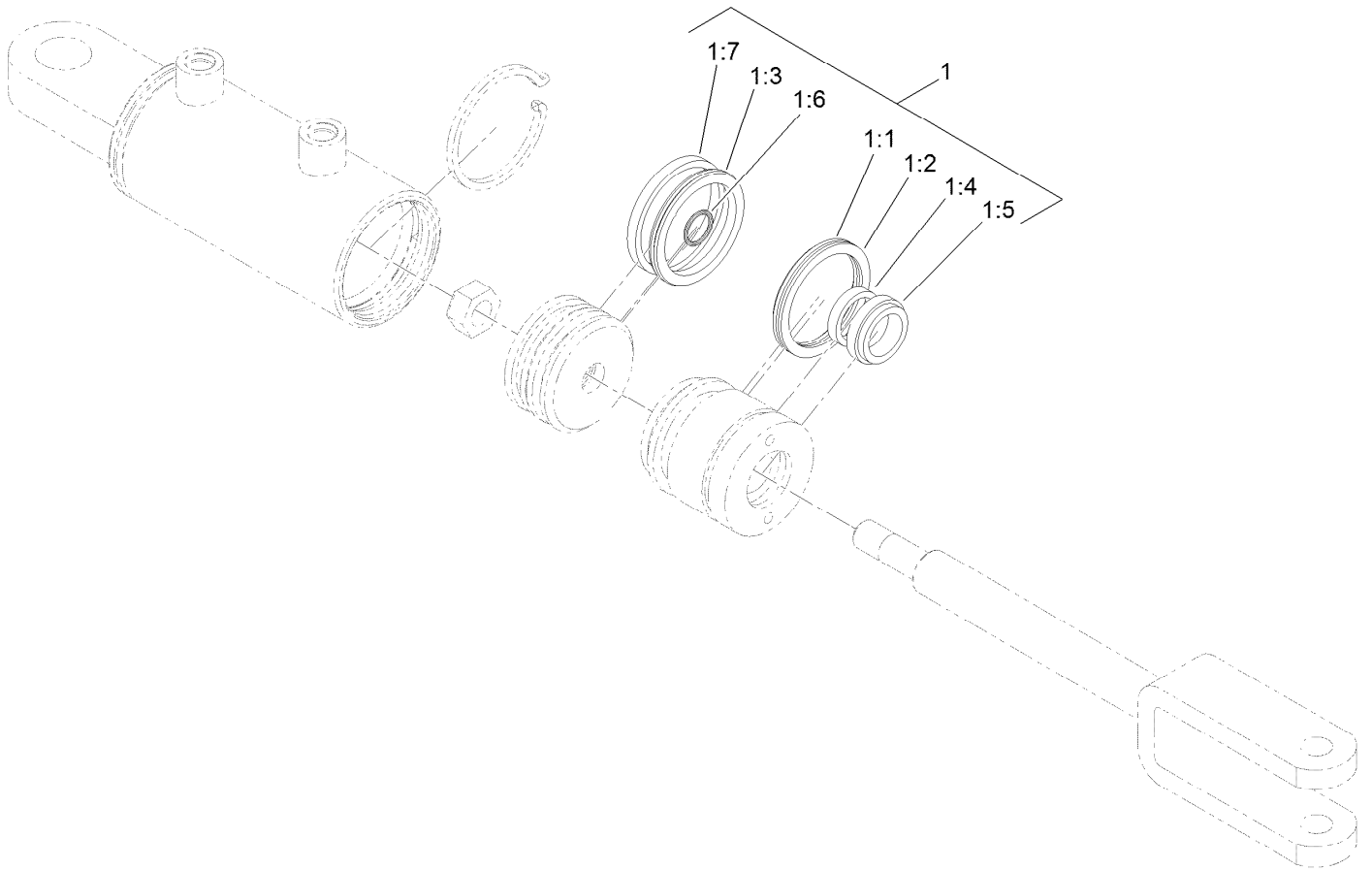
<i>Ref.</i>	<i>Part Number</i>	<i>Qty.</i>	<i>Description</i>
1	106-6716	1	Seal Kit



Hydraulic Cylinder Assembly No. 119-8129

<i>Ref.</i>	<i>Part Number</i>	<i>Qty.</i>	<i>Description</i>
1	115-3410	1	Seal Kit
1:1		1	O-Ring ●
1:2		1	Backup ●
1:3		1	Bp Seal ●
1:4		1	Bs Seal ●
1:5		1	Seal-Dust ●
1:6		1	O-Ring ●
1:7		1	Ring-Wear ●

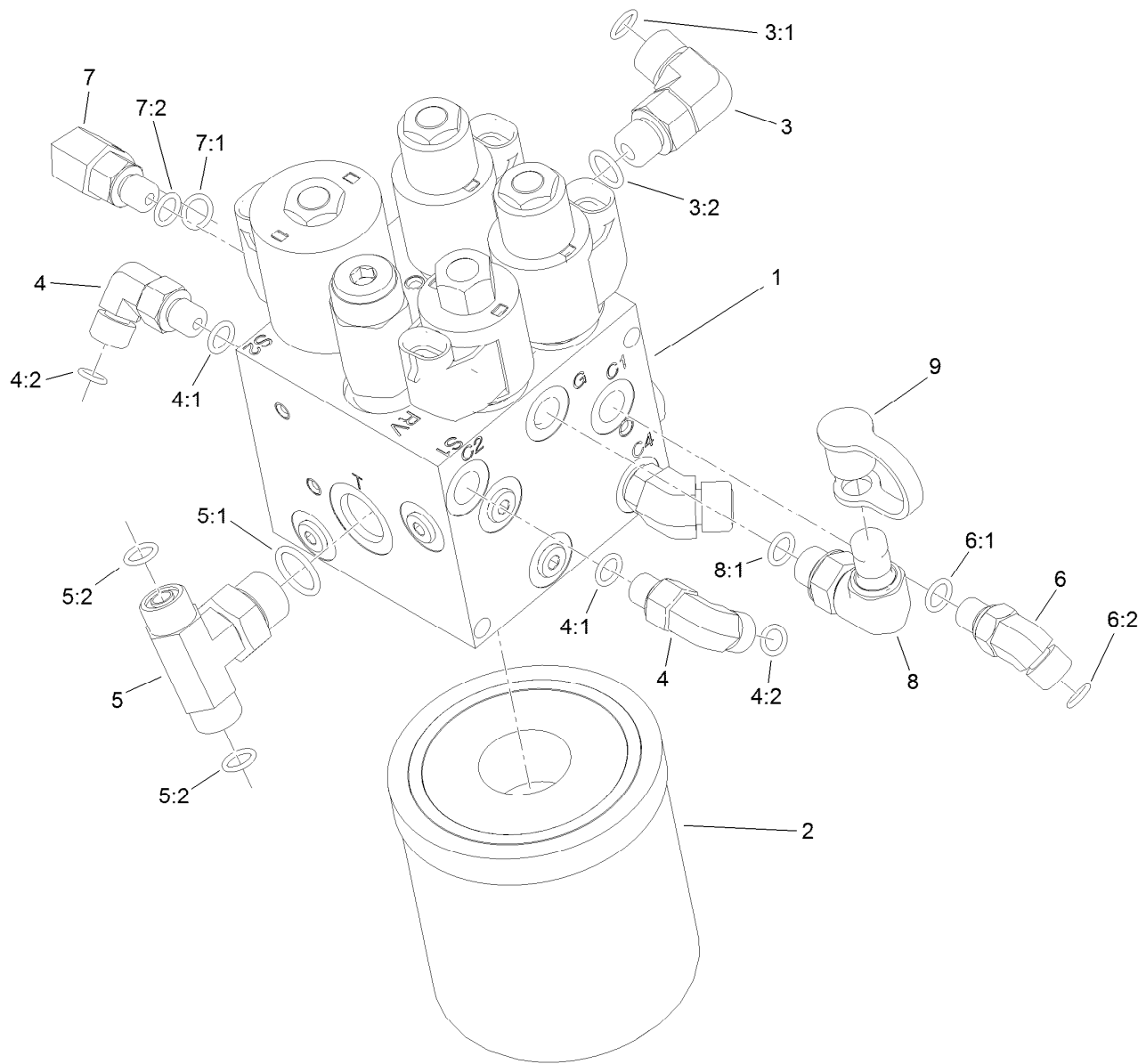
● Not serviced separately



Hydraulic Cylinder Assembly No. 119-8128

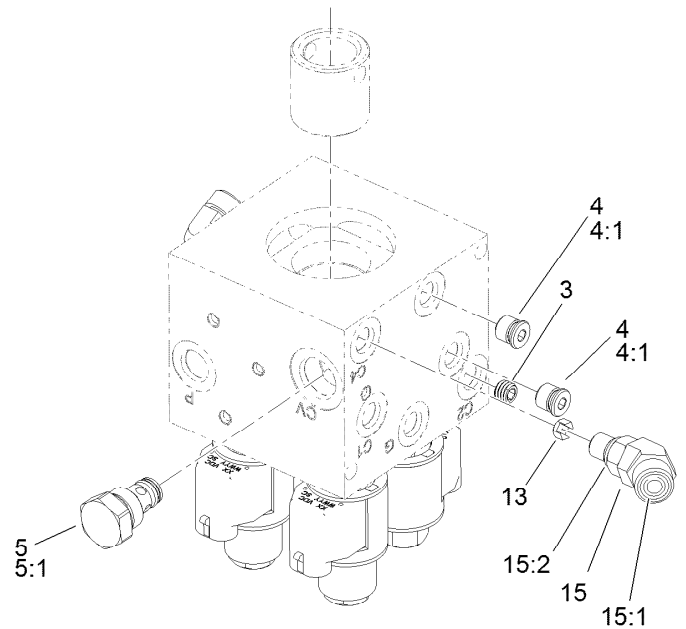
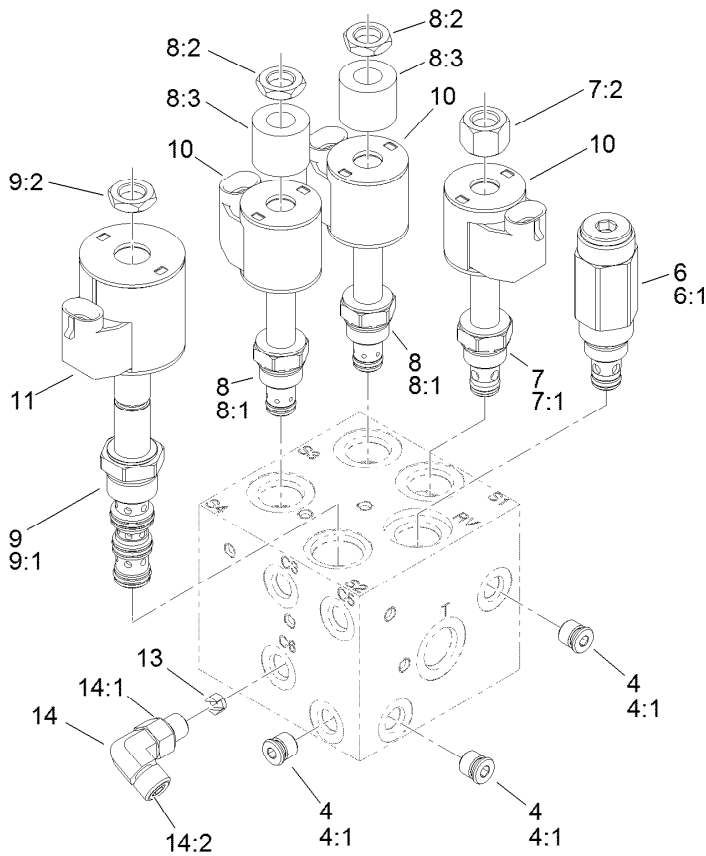
<i>Ref.</i>	<i>Part Number</i>	<i>Qty.</i>	<i>Description</i>
1	115-3410	1	Seal Kit
1:1		1	O-Ring ●
1:2		1	Backup ●
1:3		1	Bp Seal ●
1:4		1	Bs Seal ●
1:5		1	Seal-Dust ●
1:6		1	O-Ring ●
1:7		1	Ring-Wear ●

● Not serviced separately



Hydraulic Lift Manifold Assembly

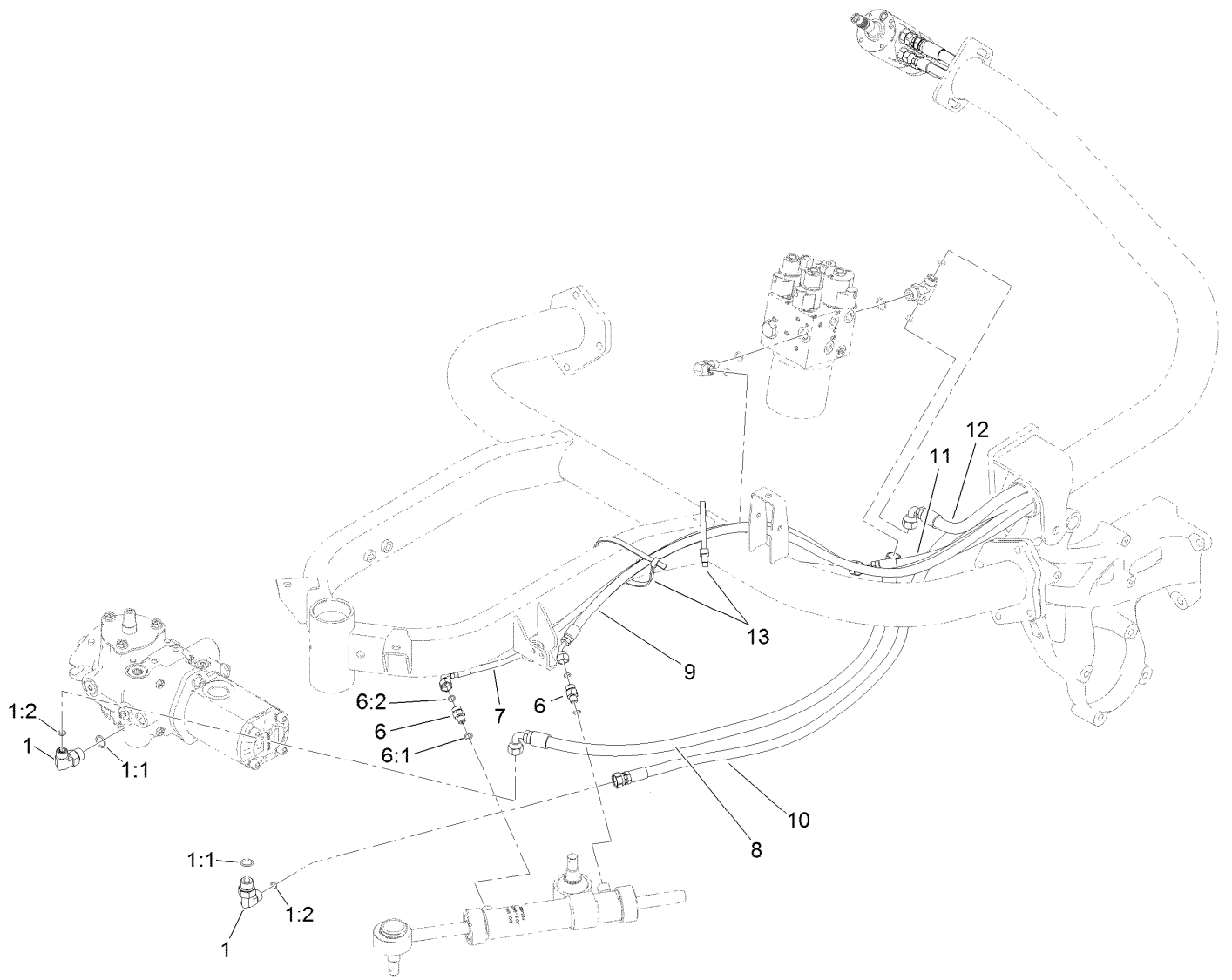
<i>Ref.</i>	<i>Part Number</i>	<i>Qty.</i>	<i>Description</i>	<i>Ref.</i>	<i>Part Number</i>	<i>Qty.</i>	<i>Description</i>
1	125-5187	1	Manifold-Lift, HYD	5:2	237-22	2	O-Ring
2	108-5194	1	Filter-Oil, HYD	6	340-103	1	Fitting-HYD, 45 DEG
3	340-77	1	Fitting-Elbow-90	6:1	237-78	1	O-Ring
3:1	237-22	1	O-Ring	6:2	237-21	1	O-Ring
3:2	237-42	1	O-Ring	7	340-97	1	Fitting-Elbow 90
4	340-132	2	Fitting-90 DEG	7:1	237-22	1	O-Ring
4:1	237-78	1	O-Ring	7:2	237-78	1	O-Ring
4:2	237-21	1	O-Ring	8	115-9147	1	Fitting-Elbow, 90 DEG
5	92-4799	1	Fitting-Tee, HYD	8:1	237-78	1	O-Ring
5:1	237-79	1	O-Ring	9	354-79	1	Cap-Dust



Hydraulic Lift Manifold Assembly No. 125-5187

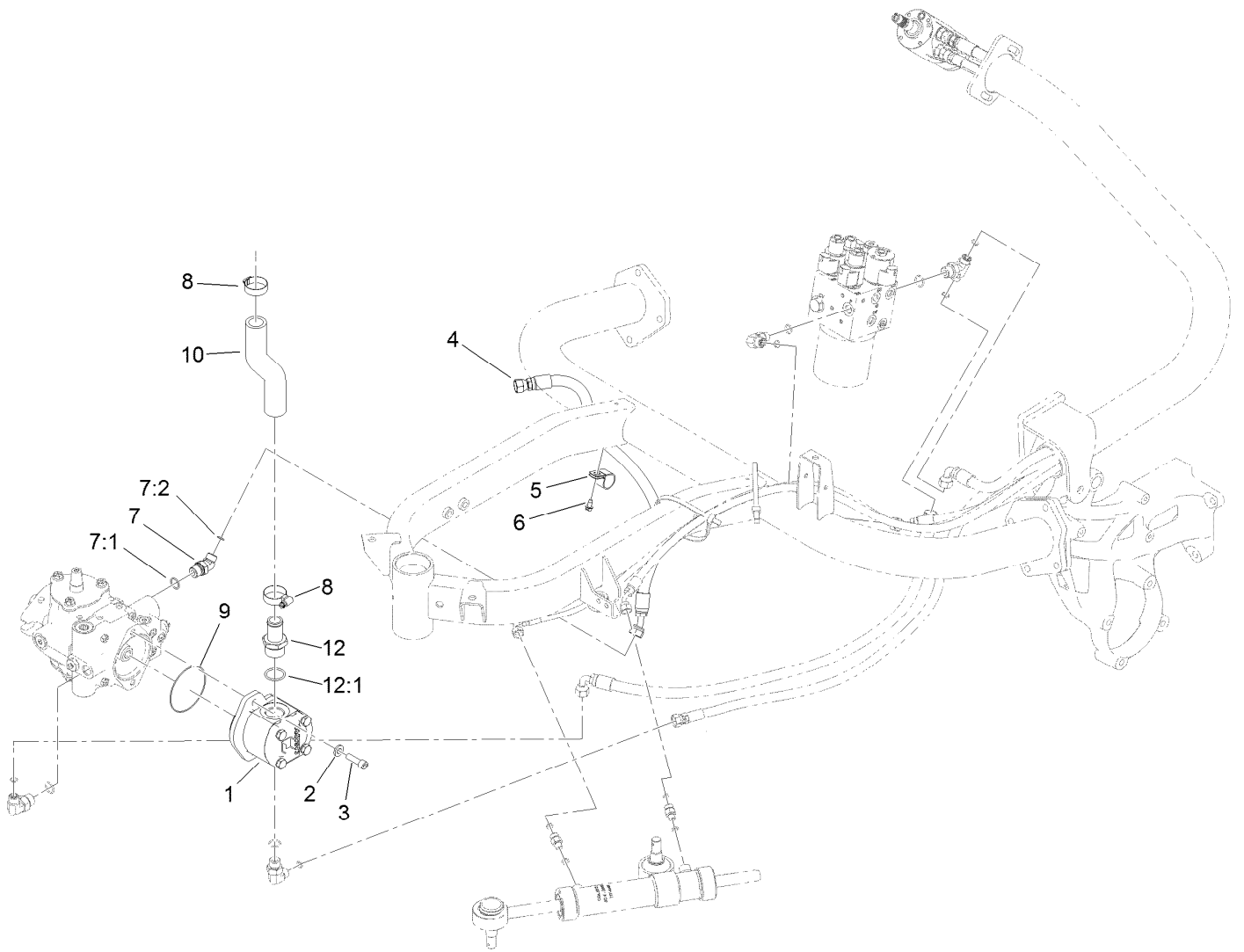
Ref.	Part Number	Qty.	Description
3	119-7144	1	Orifice (.037 Inch)
4	353-990	5	Plug ASM
4:1	237-78	1	O-Ring
5	107-7524	1	Check Valve ASM
5:1	105-9156	1	Seal Kit
6	112-9207	1	Valve-Relief
6:1	105-9156	1	Seal Kit
7	107-7517	1	Valve-Solenoid
7:1	105-9156	1	Seal Kit
7:2	107-7812	1	Nut-Solenoid
8	110-8898	2	Valve-Solenoid
8:1	107-7527	1	Seal Kit
8:2	110-2634	1	Nut-Coil

Ref.	Part Number	Qty.	Description
8:3	110-8909	1	Spacer-Coil
9	110-8906	1	Valve-Solenoid
9:1	110-8908	1	Spool Valve Seal Kit
9:2	110-2634	1	Nut-Coil
10	110-0497	3	Coil-Solenoid
11	110-6344	1	Coil-12V, Dc
13	125-5211	2	Orifice-Control, Flow (0.030)
14	340-132	1	Fitting-90 DEG
14:1	237-78	1	O-Ring
14:2	237-21	1	O-Ring
15	340-54	1	Elbow-45 DEG
15:1	237-22	1	O-Ring
15:2	237-78	1	O-Ring



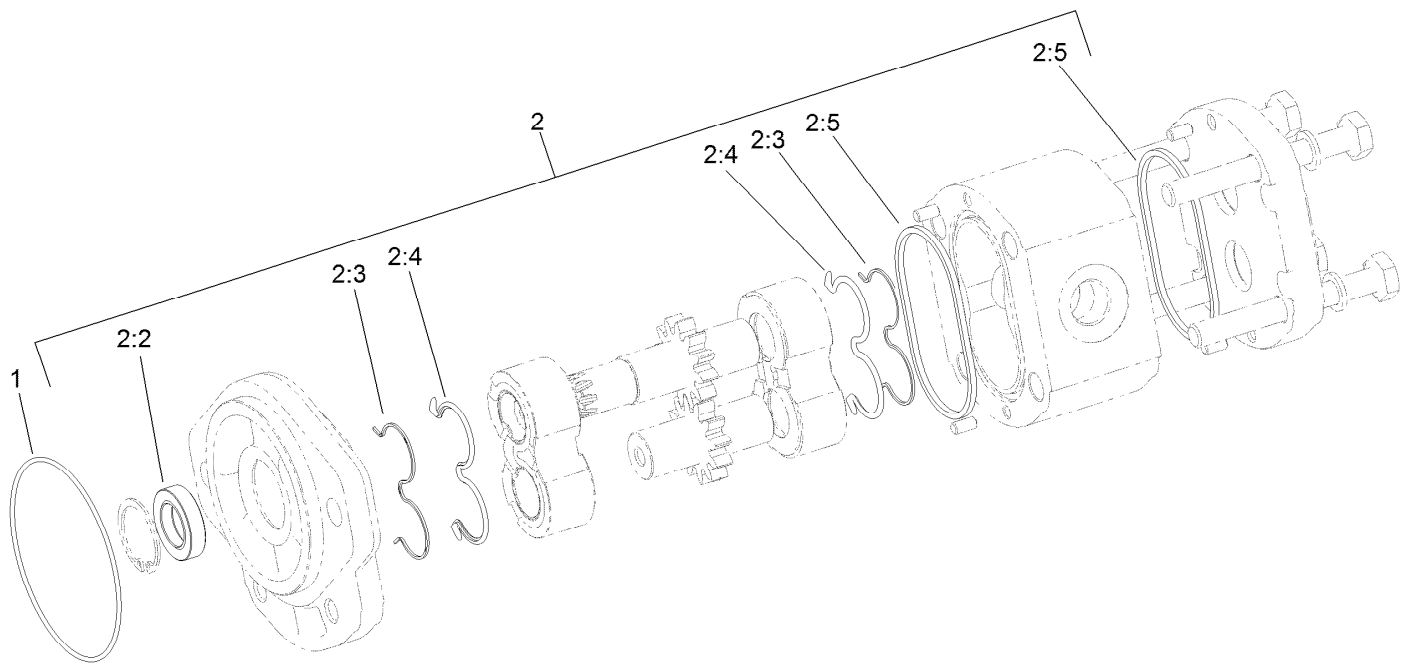
Steering Circuit Assembly

Ref.	Part Number	Qty.	Description
1	340-18	2	Fitting-HYD, 90 DEG
1:1	237-79	1	O-Ring
1:2	237-22	1	O-Ring
6	340-92	2	Fitting-Straight
6:1	237-78	1	O-Ring
6:2	237-21	1	O-Ring
7	119-8124	1	HYD Hose ASM
8	125-5168	1	HYD Hose ASM
9	119-8123	1	HYD Hose ASM
10	125-5167	1	HYD Hose ASM
11	117-3683	1	HYD Hose ASM
12	125-5166	1	HYD Hose ASM
13	3334-945	2	Tie-Cable



Steering Circuit Assembly (2)

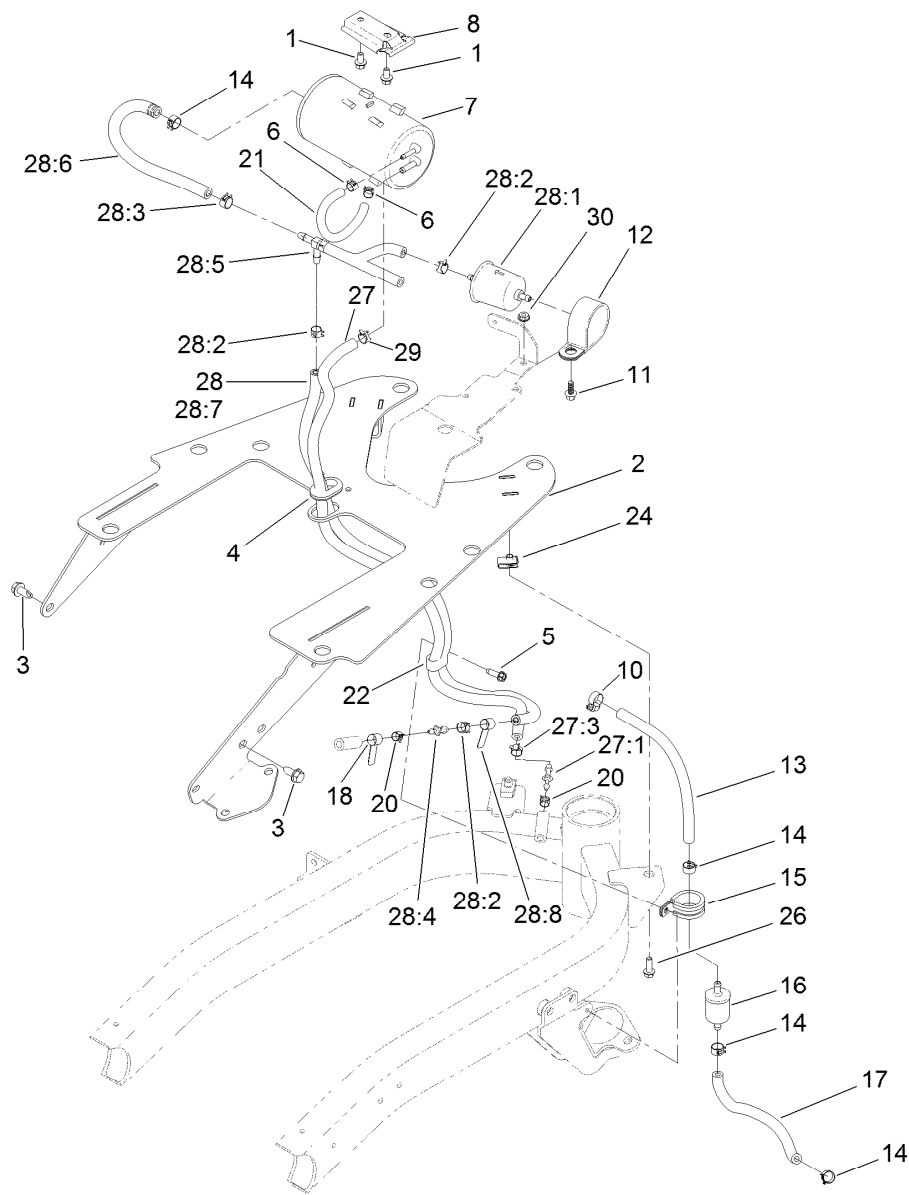
Ref.	Part Number	Qty.	Description
1	114-9958	1	HYD Gear Pump ASM
2	100-4852	2	Washer-Hardened
3	3274-1	2	Screw-HSH
4	119-8125	1	HYD Hose ASM
5	2412-39	2	Clamp-R
6	32104-17	1	Screw-HWH
7	340-138	1	Fitting-HYD, 45 DEG
7:1	237-79	1	O-Ring
7:2	237-22	1	O-Ring
8	2412-34	2	Clamp-Hose
9	353-949	1	O-Ring
10	119-2069	1	Hose-Suction
12	354-78	1	Connector-Hose
12:1	237-146	1	O-Ring



Hydraulic Gear Pump Assembly No. 114-9958

<i>Ref.</i>	<i>Part Number</i>	<i>Qty.</i>	<i>Description</i>
1	353-949	1	O-Ring
2	119-7135	1	Kit-Seal
2:2		1	Shaft Seal ●
2:3		2	Anti-Extrusion Seal ●
2:4		2	Seal ●
2:5		2	Seal Square Section ●

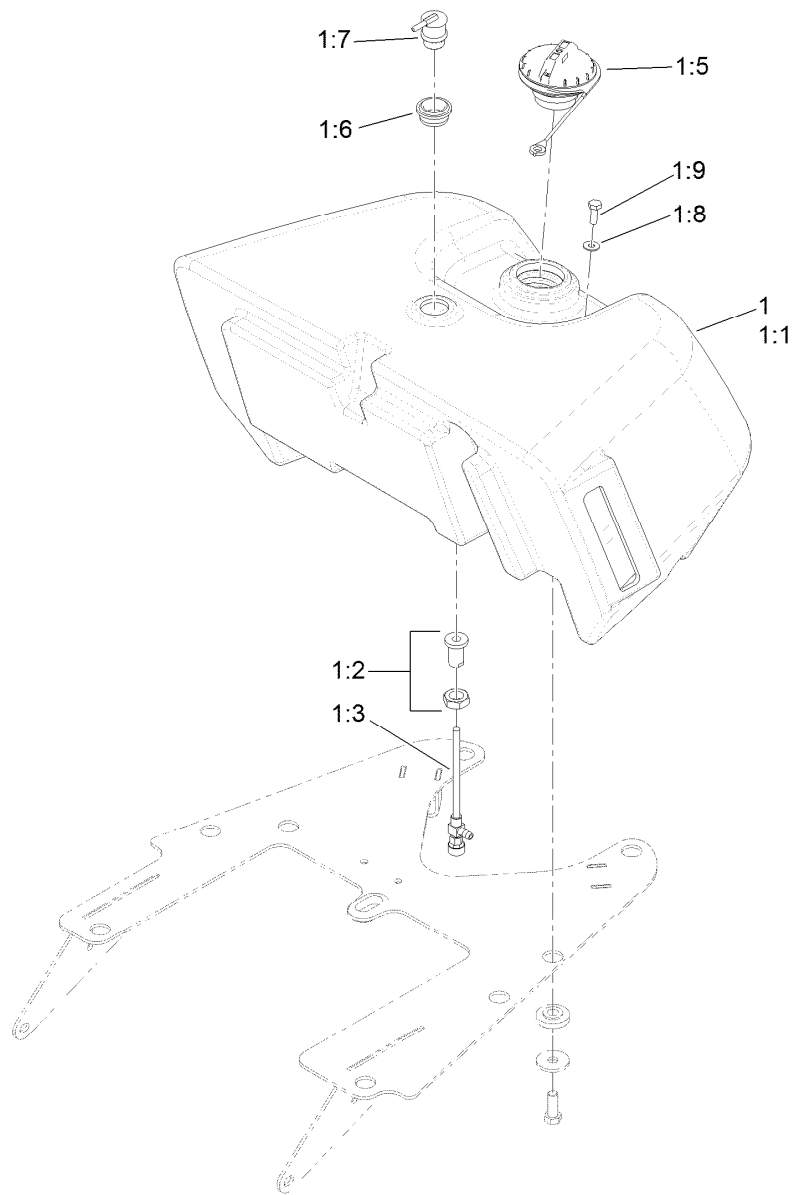
● Not serviced separately



Fuel Line and Carbon Canister Hose Routing Assembly

Ref.	Part Number	Qty.	Description	Ref.	Part Number	Qty.	Description
1	3234-13	2	Screw-HHF	21	119-8523	1	Hose-Fuel
2	132-9597-03	1	Plate Wa [black]	22	119-8153	1	Clamp-R, Double Tube
3	32104-32	2	Screw-HWH	24	107069	2	Clip
4	240-5	2	Grommet	26	115-5103	2	Screw-HHF
5	49-2040	1	Screw-HWHTF	27	121-5181	1	Purge Hose ASM
6	2412-146	3	Clamp-Hose	27:1	121-2573	1	Fitting-Straight
7	127-8685	1	Canister-Carbon	27:3	2412-98	2	Clamp-Hose
8	114-0292	1	Bracket-Canister, Carbon	28		1	Tee Hose ASM ●
10	2412-108	1	Clamp-Worm	28:1	121-2583	1	Filter-Fuel, Inline
11	99-6810	1	Screw-HHF	28:2	2412-98	3	Clamp-Hose
12	100-1424	1	Clamp-R	28:3	92-2379	2	Clamp-Hose
13	109-0282	1	Hose-Fuel	28:4	121-2573	1	Fitting-Straight
14	92-2379	3	Clamp-Hose	28:5	121-6663	1	Check Valve Hose ASM
15	120-2037	1	R-Clamp	28:6	110-4105	1	Hose-Fuel
16	94-2690	1	Filter-Fuel	28:7	109-3491	1	Hose-Fuel
17	109-0293	1	Hose-Fuel	28:8	121-6664	1	Decal-Cleaner, Air
18	121-6664	1	Decal-Cleaner, Air	29	2412-98	1	Clamp-Hose
20	2412-80	2	Clamp-Hose	30	32149-2	1	Nut-Keps

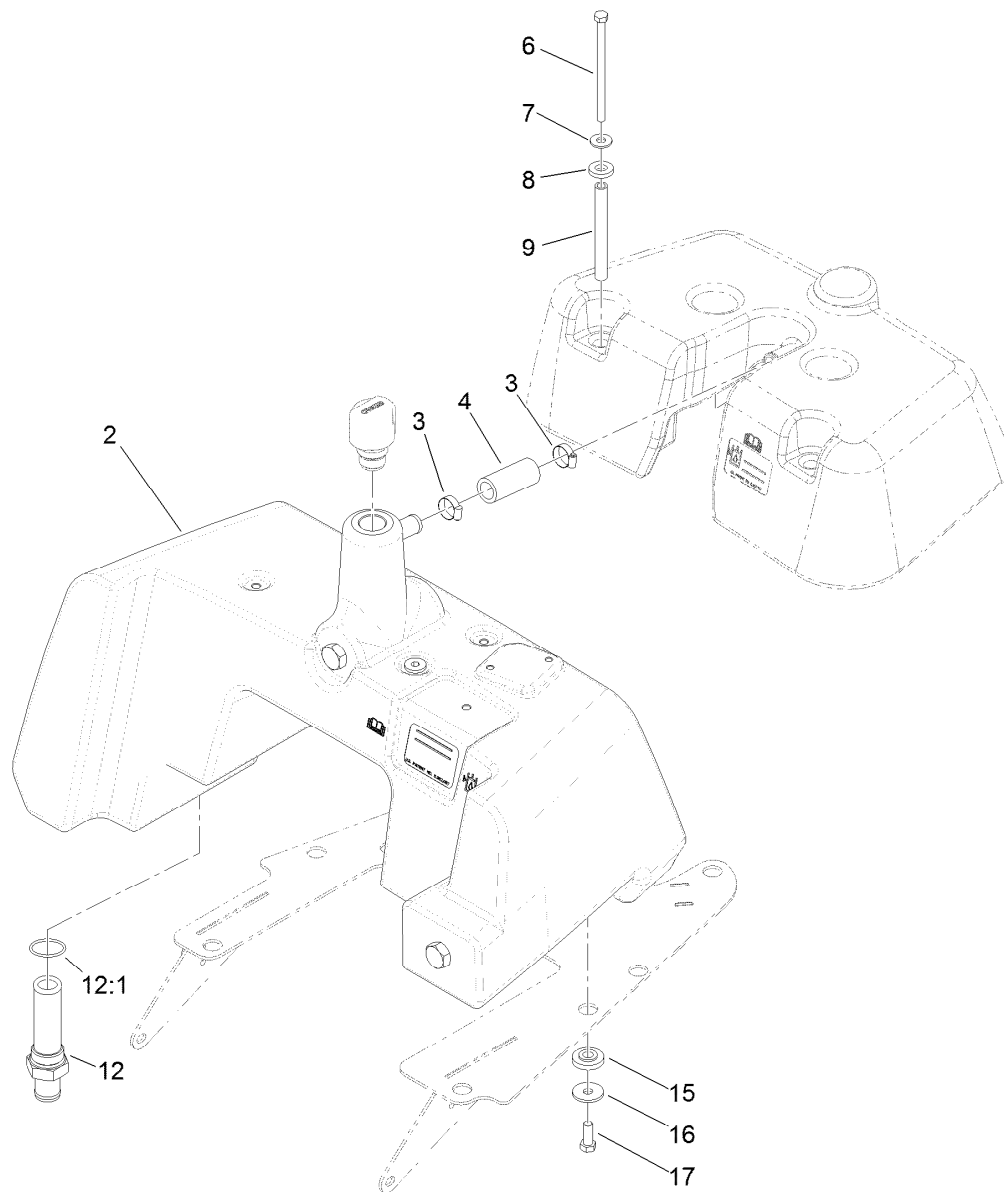
● Not serviced separately



Fuel Tank Assembly

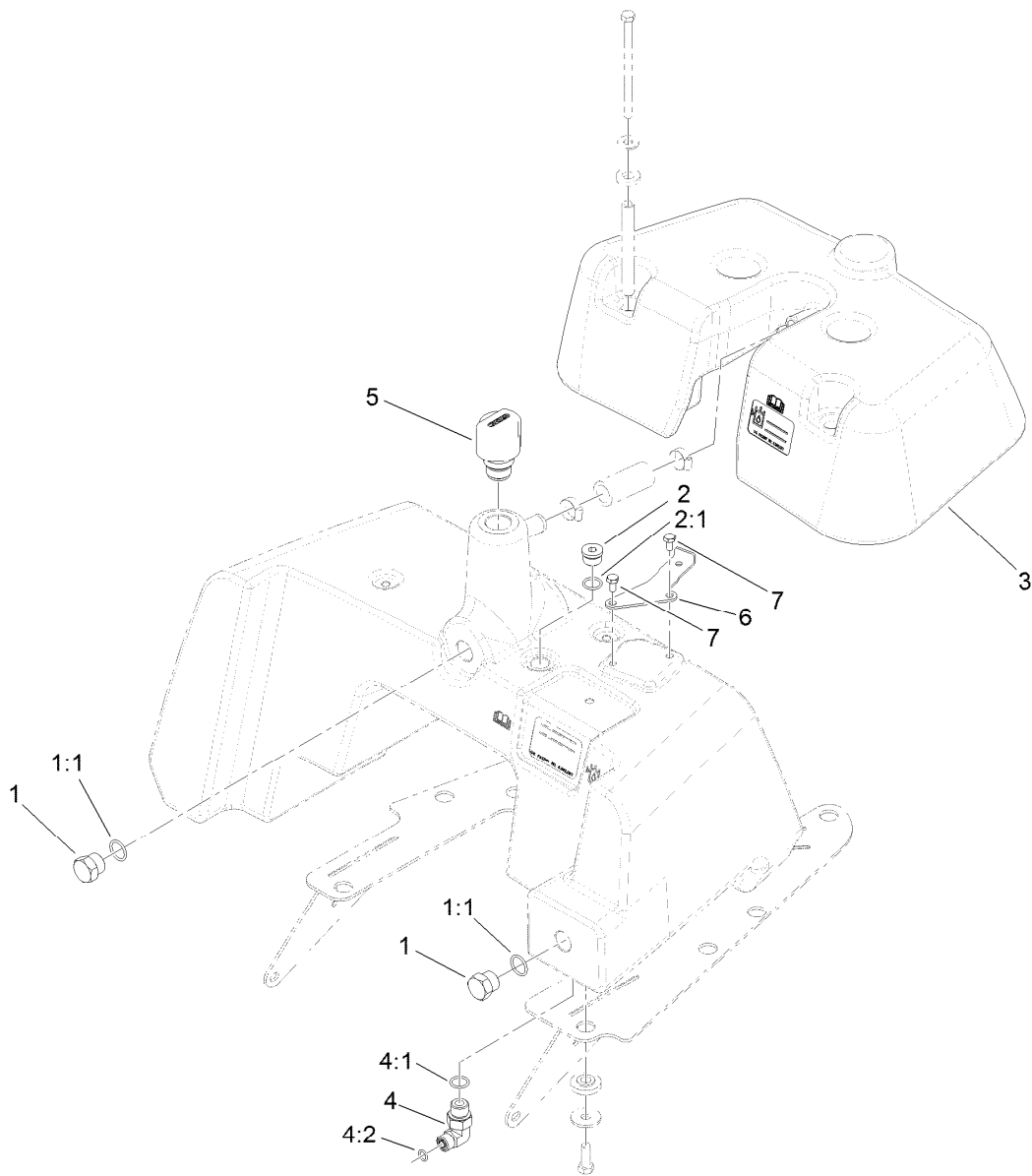
Ref.	Part Number	Qty.	Description
1	121-9571	1	Fuel Tank ASM
1:1		1	Tank-Fuel, Gas ●
1:2	114-4677	1	Bulkhead ASM
1:3	114-4679	1	Fitting-Shut Off, Fuel
1:5	117-1722	1	Cap-Fuel
1:6	114-0284	1	Grommet
1:7	119-3547	1	Valve-Vent, Fuel
1:8	3256-1	1	Washer-Flat
1:9	321-2	1	Screw-HH

● Not serviced separately



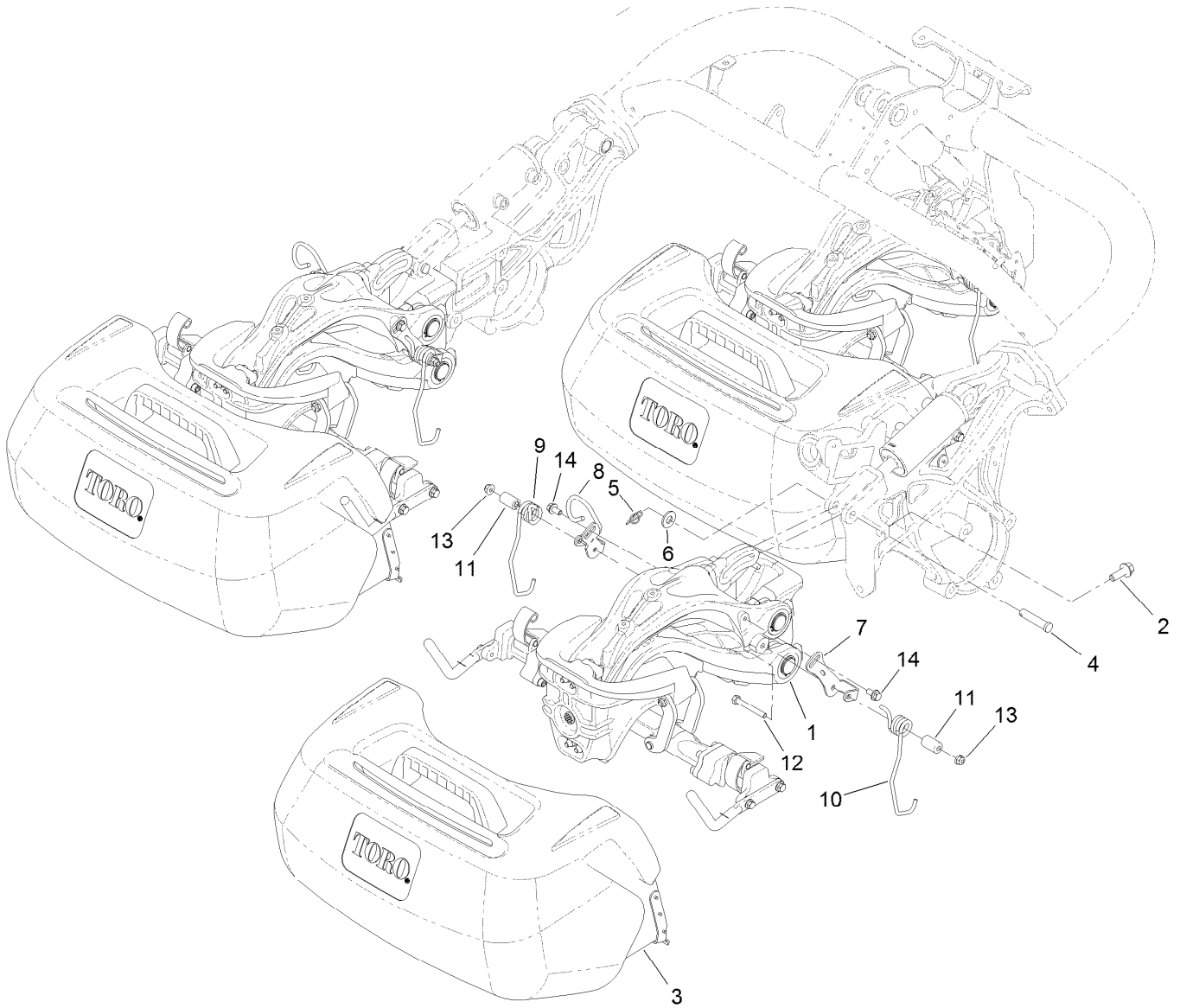
Hydraulic Tank Assembly

Ref.	Part Number	Qty.	Description
2	115-9822	1	Tank-Hydraulic
3	2412-141	2	Clamp-Drive, Worm
4	110-3998	1	Hose-Overflow
6	322-29	4	Screw-HH
7	3256-71	4	Washer-Flat
8	83-1470	4	Washer-Neoprene
9	115-9825	4	Spacer-Tube, Long
12	112-0211	1	Strainer Fitting ASM
12:1	237-146	1	O-Ring
15	240-11	8	Bushing-Flange
16	63-8410	8	Washer
17	323-6	8	Screw-HH



Hydraulic Tank Cover Assembly

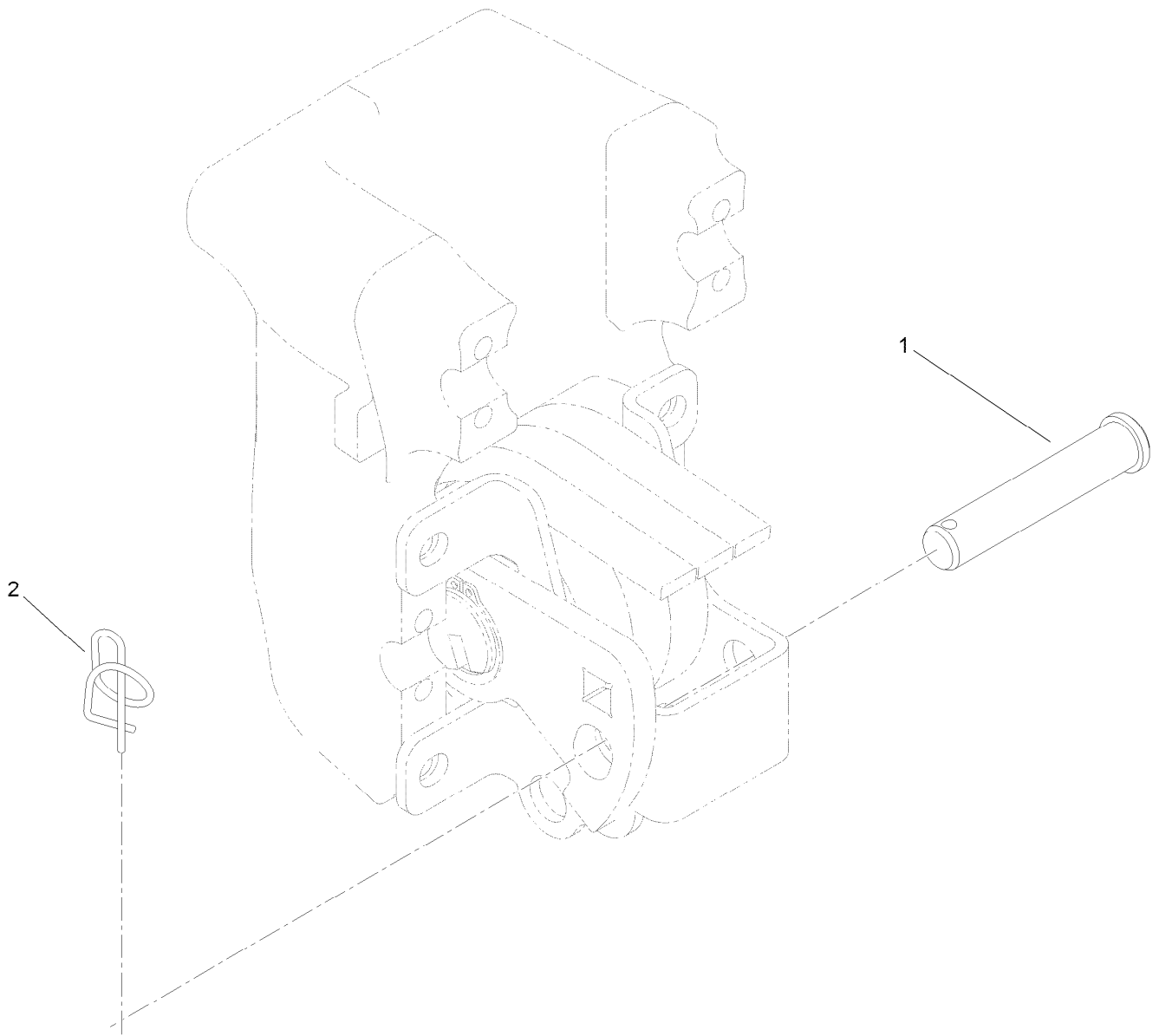
<i>Ref.</i>	<i>Part Number</i>	<i>Qty.</i>	<i>Description</i>
1	353-551	2	Plug-HH
1:1	237-80	1	O-Ring
2	353-988	1	Plug-Hex
2:1	237-79	1	O-Ring
3	120-2041	1	Tank-Cover
4	340-18	1	Fitting-HYD, 90 DEG
4:1	237-79	1	O-Ring
4:2	237-22	1	O-Ring
5	115-9793	1	Breather
6	121-5182	1	Plate-Filter
7	120-9688	2	Screw-HH



Suspension and Basket Assembly

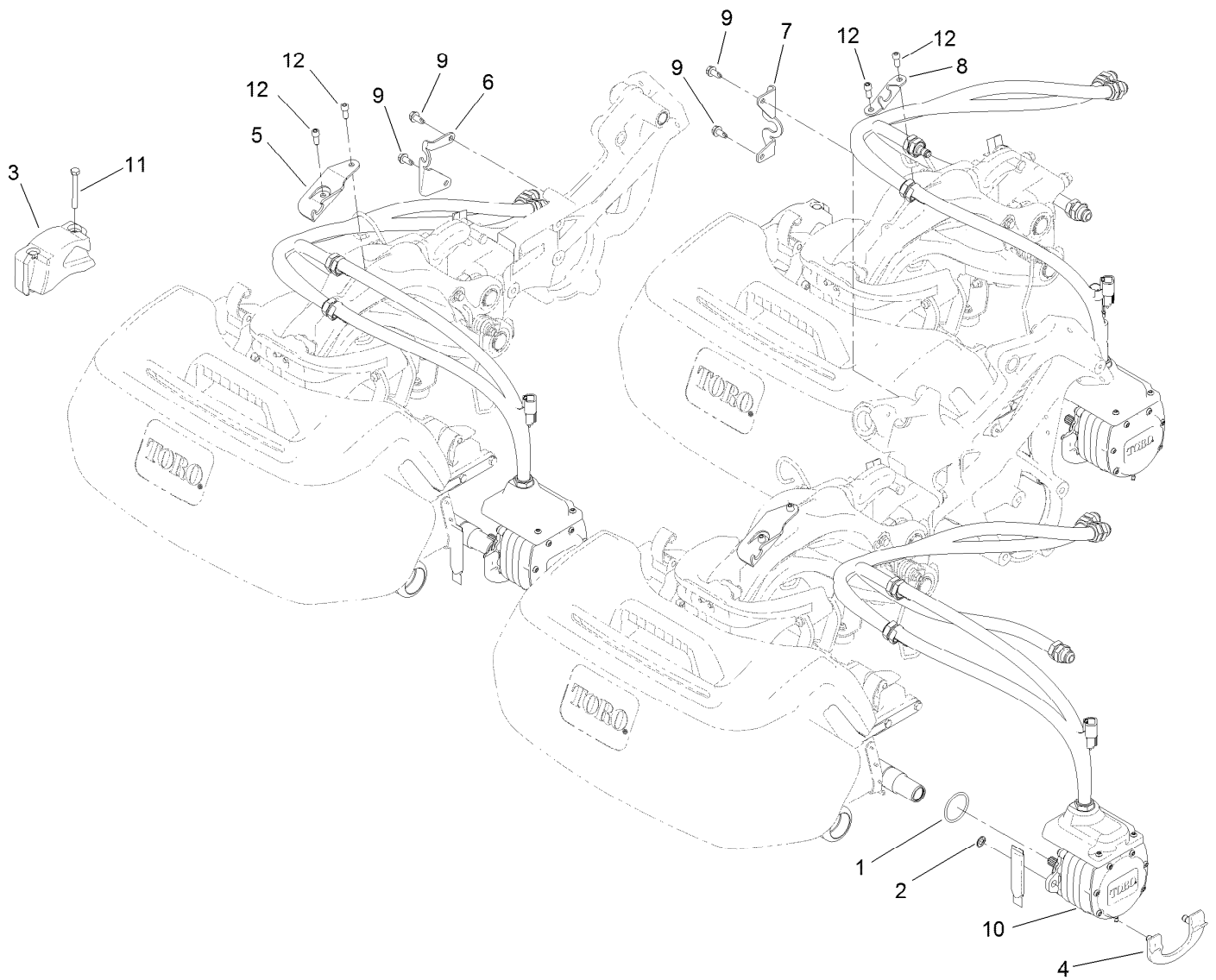
Ref.	Part Number	Qty.	Description
1		3	Suspension ASM ●
2	117-9035	9	Screw-HHF
3	132-9599	3	Basket ASM
4	92-2739	3	Pin-Clevis
5	112-1491	3	Pin-Cotter
6	29-8910	3	Washer
7	117-6822	3	Retainer-Spring, LH
8	120-4617	3	Bracket ASM
9	117-6826	3	Spring-Stabilizer, RH
10	117-6827	3	Spring-Stabilizer, LH
11	117-6825	6	Spacer
12	322-12	6	Screw-HH
13	104-8300	6	Nut-HF, NI
14	114-7728	6	Screw-Threadlock

● Not serviced separately



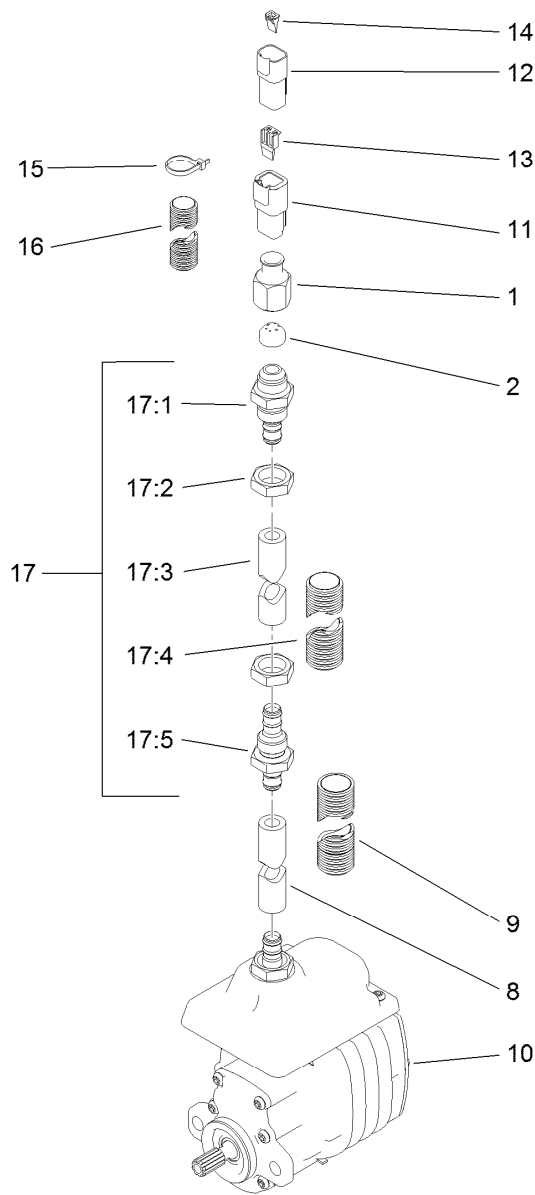
Suspension Pin Position Assembly

<i>Ref.</i>	<i>Part Number</i>	<i>Qty.</i>	<i>Description</i>
1	100-6541	3	Pin-Clevis
2	112-1491	3	Pin-Cotter



Electric Motor and Bracket Assembly

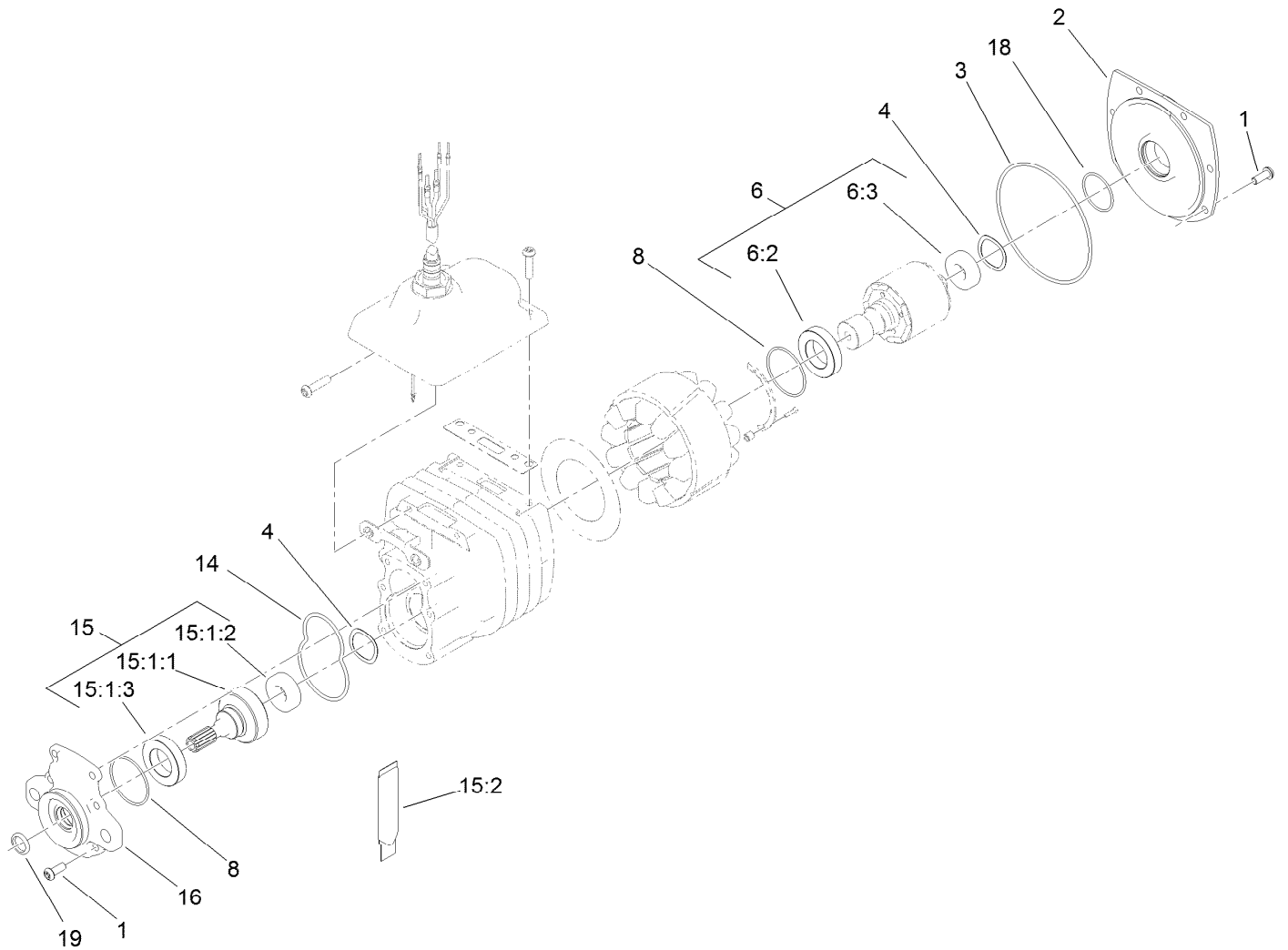
Ref.	Part Number	Qty.	Description
1	115-3298	3	O-Ring
2	133-8926	6	Ring-Retaining (Metric)
3	117-6774-03	3	Weight-Electric
4	115-5389	3	Cam-Mount, Motor
5	119-7487	2	Bracket-Clamp, Hose
6	120-4551	1	Bracket-Hose
7	120-4531	1	Bracket-Hose
8	119-7540	1	Bracket-Hose, Rear
9	32104-32	4	Screw-HWH
10	127-2450	3	Motor-Electric
11	322-13	6	Screw-HH
12	100-2401	6	Screw-HSH



Electric Reel Motor Assembly No. 127-2450

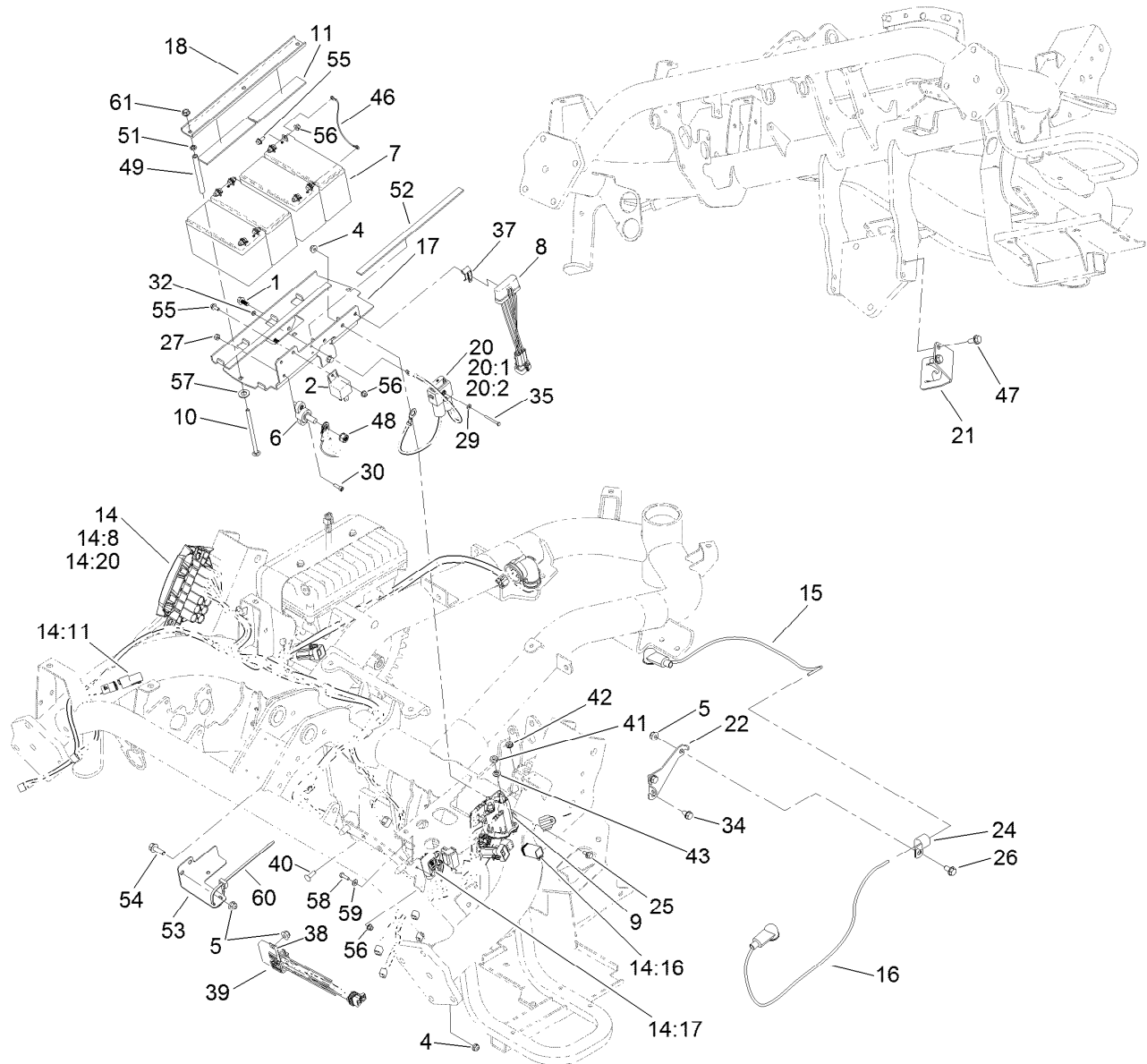
<i>Ref.</i>	<i>Part Number</i>	<i>Qty.</i>	<i>Description</i>	<i>Ref.</i>	<i>Part Number</i>	<i>Qty.</i>	<i>Description</i>
1	119-7481	1	Nut-Ferrule	15	3290-378	4	Tie-Cable
2	119-7480	1	Ferrule	16	120-3223	1	Tubing-Convolute, Slit
8	119-7476	1	Hose	17	120-4532	1	Hose ASM
9	119-7558	1	Tubing-Convolute, Slit	17:1	119-7545	1	Fitting-Bulkhead
10		1	Electric Motor ●	17:2	119-7457	2	Nut
11	32160-245	1	Connector	17:3	119-7524	1	Hose
12	32160-315	1	Connector	17:4	119-7559	1	Tubing-Convolute, Slit
13	32180-083	1	Wedge	17:5	119-7544	1	Fitting-Bulkhead
14	32180-084	1	Wedge				

● Not serviced separately



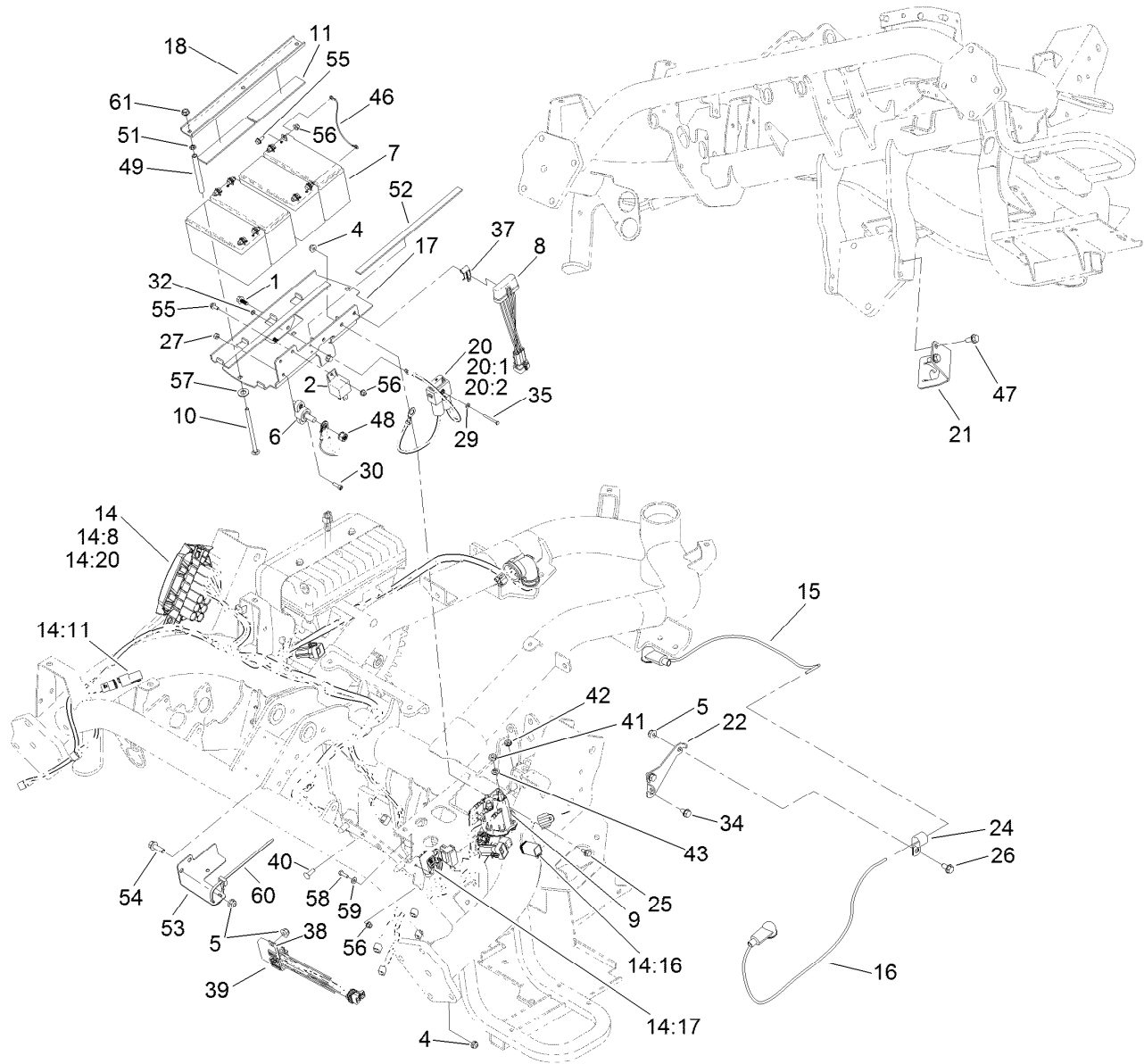
Electric Motor Assembly

<i>Ref.</i>	<i>Part Number</i>	<i>Qty.</i>	<i>Description</i>	<i>Ref.</i>	<i>Part Number</i>	<i>Qty.</i>	<i>Description</i>
1	120-4559	12	Screw-Bhcs	15	127-1599	1	Output Gear ASM
2	115-4779	1	Cover-Motor	15:1:1	112-5153	1	Gear-Output
3	112-9609	1	O-Ring	15:1:2	120-4557	1	Bearing
4	112-5163	2	Washer-Wave	15:1:3	112-5158	1	Bearing-Ball
6	119-7450	1	Rotor ASM	15:2	127-1501	1	Grease-Synthetic
6:2	112-5158	1	Bearing-Ball	16	115-4777	1	Cover-Gearbox
6:3	120-4557	1	Bearing	18	119-1156	1	O-Ring
8	112-9616	2	O-Ring	19	119-7451	1	Seal-Oil
14	112-9611	1	O-Ring				



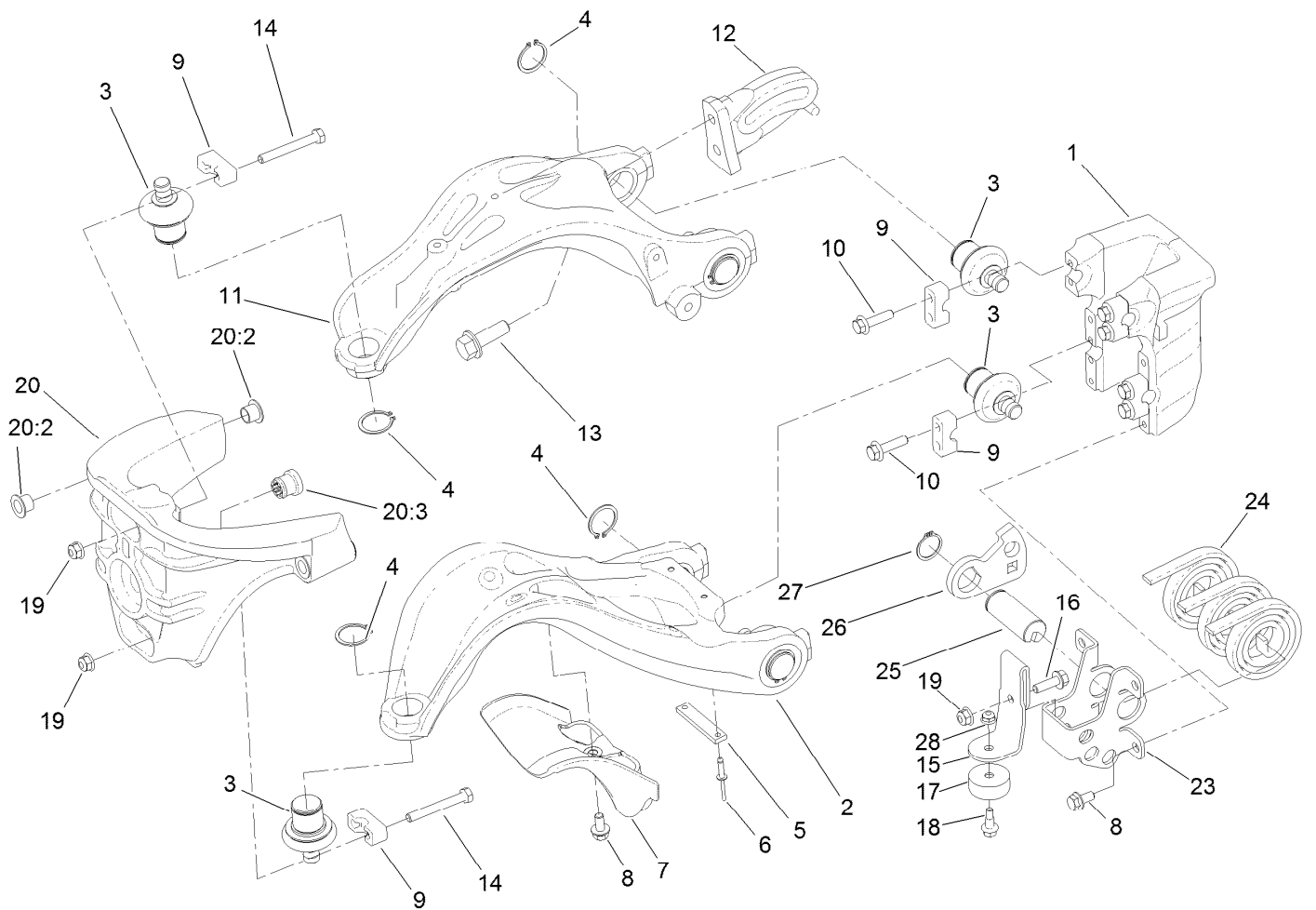
Electric Mow Battery Assembly

Ref.	Part Number	Qty.	Description	Ref.	Part Number	Qty.	Description
1	99-6810	3	Screw-HHF	16	119-1784	1	Harness-Wire, Battery Disconnect
2	99-7435	1	Relay-Power	17	132-3770-01	1	Plate-Battery
4	104-7201	5	Nut-HF	18	119-2104-01	1	Channel-Clamp, Battery
5	104-8300	3	Nut-HF, NI	20	119-5773	1	Harness-Wire
6	110-8823	1	Block-Junction	20:1	120-3954	1	Fuse-60 Amp
7	112-9621	4	Battery- Nonspillable	20:2	32180-085	1	Fuse-Cover
8	112-9630	1	Module-Reel, I.D.	21	119-7566-03	1	Bracket-Hose, Rear
9	115-4765	1	Contactar	22	119-8175	1	Bracket-Disconnect
10	120-4585	3	Screw-CARR	24	2412-4	1	Clamp-R
11	115-9477	2	Strip-Foam	25	3234-13	2	Screw-HHF
12	131-3100-03	1	Bracket-Holder, Fuse	26	3234-7	1	Screw-HHF
13	33113-016	2	Screw-HH	27	3296-21	2	Nut-Hex
14	122-0523	1	Harness-Wire	29	3256-12	2	Washer-Flat
14:8	122-0255	3	Fuse-Maxi, 35 Amp-58V	30	3273-26	2	Screw-HSH
14:11	32180-043	2	Resistor-120 Ohm	32	3296-9	2	Nut-Hex
14:16	119-7781	1	Diode-Sealed	34	32104-82	2	Screw-HHF
14:17	120-3958	1	Fuse-Blade, 10A	35	32105-21	2	Screw-HH
14:20	32180-146	1	Cover-Fuse	37	32180-011	1	Clip-Connector
15	119-1783	1	Harness-Wire, Battery Disconnect	38	32180-020	1	Clip-Connector
				39	119-4330	1	Isolated Can Module ASM



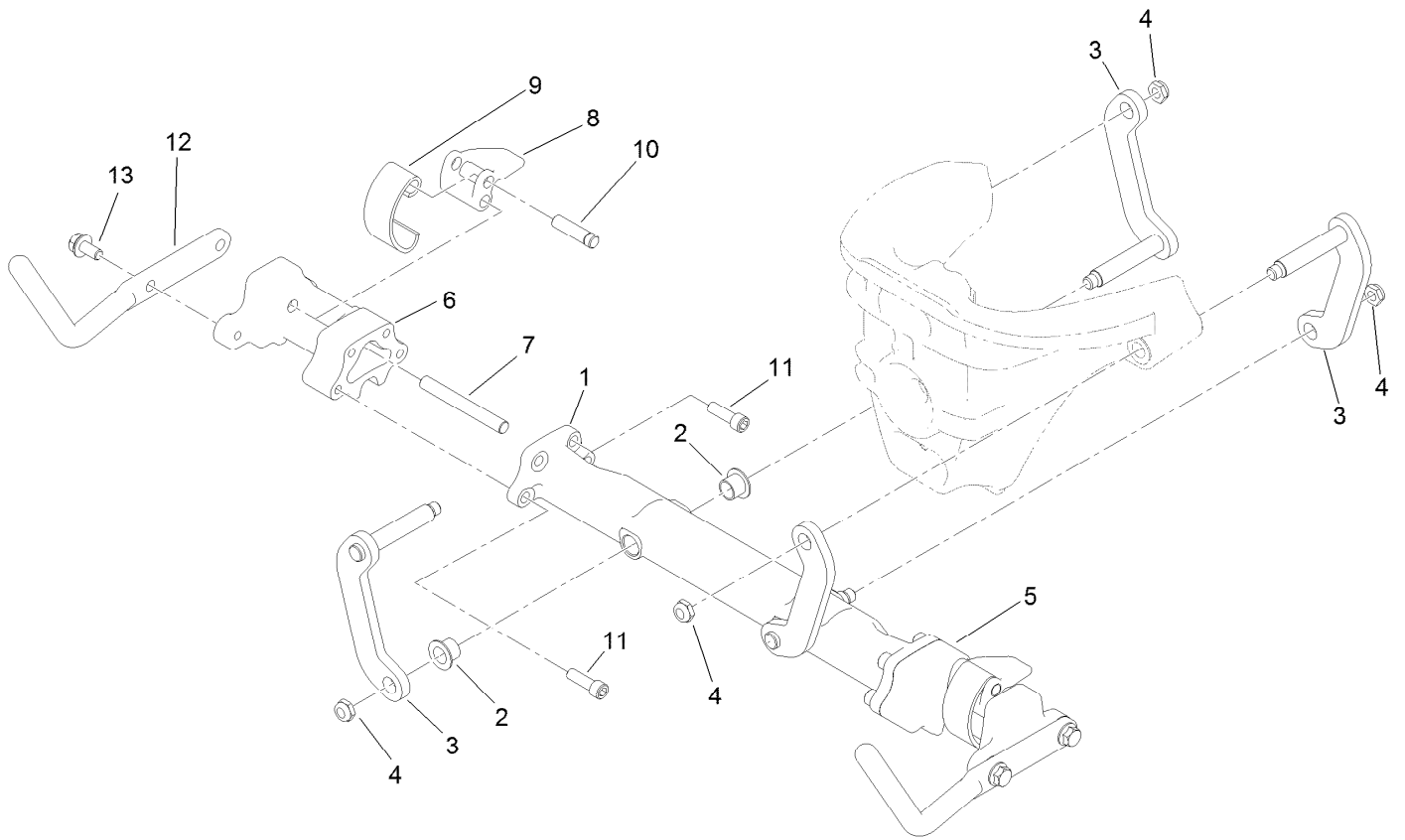
Electric Mow Battery Assembly (continued)

<i>Ref.</i>	<i>Part Number</i>	<i>Qty.</i>	<i>Description</i>	<i>Ref.</i>	<i>Part Number</i>	<i>Qty.</i>	<i>Description</i>
40	1-807512	1	Bolt-CARR	52	115-8827	2	Foam-Strip
41	3220-2	2	Nut-Jam	53	120-4570	1	Bracket-Harness
42	32149-8	2	Nut-Keps	54	3234-29	2	Screw-HHF
43	3253-4	2	Washer-Lock	55	120-4579	9	Screw-Hfh
46	119-1782	3	Battery Jumper Wire	56	120-4580	10	Nut-HF
47	32144-14	2	Screw-HWHTF	57	48-9220	3	Washer-Plain
48	32149-10	1	Nut-Keps	58	60-6910	1	Screw-HH
49	120-4586	3	Tube	59	3256-14	1	Washer-Flat
51	1-803037	3	Nut-Retaining	60	3290-378	1	Tie-Cable
				61	32128-33	3	Nut-HF



Suspension A-Arm Assembly

<i>Ref.</i>	<i>Part Number</i>	<i>Qty.</i>	<i>Description</i>	<i>Ref.</i>	<i>Part Number</i>	<i>Qty.</i>	<i>Description</i>
1	117-9480	1	Mount-Pivot, A-Arms	15	133-0310	1	Mount-Stop
2	117-6656	1	A-Arm, Lower	16	3234-17	1	Screw-HHF
3	132-6959	6	Balljoint	17	133-0308	1	Bumper-Rubber
4	120-3225	6	Ring-Retaining, EXT	18	133-0315	1	Screw-Shoulder, HF
5	117-6674	1	Plate-Striker	19	104-8300	5	Nut-HF, NI
6	3269-28	2	Rivet-Pop	20	120-3216	1	Steering Head ASM
7	117-6755	1	Stop-Steering	20:2	125-5239	4	Bushing-Flange
8	114-7728	5	Screw-Threadlock	20:3	131-1836	1	Grommet
9	112-5647	6	Clamp	23	133-0313	1	C-Balance Mount
10	132-3837	8	Screw-HHF	24	114-9306	3	Spring
11	117-6648	1	A-Arm, Upper	25	117-6608	1	Pin
12	117-6650	1	Plate-Lift	26	117-6738	1	Arm-Tensioner
13	100-6116	2	Screw-HHF	27	32151-29	1	Ring-Retaining
14	132-3838	4	Screw-HH	28	104-7201	1	Nut-HF



Suspension Crossarm Assembly

<i>Ref.</i>	<i>Part Number</i>	<i>Qty.</i>	<i>Description</i>
1	120-3217	1	Crossarm ASM
2	125-5239	4	Bushing-Flange
3	117-6654	4	Link ASM
4	3296-59	4	Nut-Lock, NI
5	117-9482	1	Mount-Cross Arm, LH
6	117-9492	1	Mount-Cross Arm, RH
7	114-8051	2	Pin-Pivot
8	114-8047	2	Lever
9	114-8048	2	Spring
10	114-8049	2	Pin-Pivot
11	120-3227	8	Screw-HSH
12	120-2784-01	2	Horn-Basket
13	114-7728	4	Screw-Threadlock

Attachments and Accessories

For 04530 Greensmaster 3320 TriFlex Traction Unit

Product Name	Model/Part
Turf Evaluator	04399
Light Kit.....	04554
8-Blade DPA Reel Mower	04651
11-Blade DPA Reel Mower	04653
14-Blade DPA Reel Mower	04655
Three-Wheel Drive Kit	04714
Standard Seat Kit.....	04718
Premium Seat Kit.....	04719
Dethatching Unit	04720
Tri-Roller	04722
Spiker	04723
Hydraulic Oil Leak Detector Kit	04730
Spark Arrestor Screen	104-6540
Premium All Season Hydraulic Fluid (55 Gallon Drum)	108-1177
Premium All Season Hydraulic Fluid (5 Gallon Pail).....	108-1178
Bimini Folding Shade Assembly	115-4510
Bag Kit.....	119-1715
Premium Synthetic Bio-Degradable Hydraulic Fluid (5 Gallon Pail)	119-2157
Premium Synthetic Bio-Degradable Hydraulic Fluid (55 Gallon Drum).....	119-2158
Premium Armrest Kit.....	119-7105
Weight Kit	119-7129
Three-Wheel Drive Weight Kit	120-5750
Premium Engine Oil 10w30 (55 Gal).....	121-6392
Premium Engine Oil 10w30 (5 Gallon Pail)	121-6393
400-hour Filter Maintenance Kit.....	30042
LH Armrest Asm	92-7307
Height-of-Cut Bar.....	94-9010
Tire-TURFMATE	99-4506



Count on it.