



Count on it.

Parts Catalog

Super Recycler®

Lawn Mower

Model No. 20380—Serial No. 312000001 and Up



Ordering Replacement Parts

To order replacement parts, please supply the part number, the quantity, and the description of each part desired.

Understanding Reference Numbers

Each identified part in an illustration has a reference number. The reference number for a part also appears in the parts list, along with other information about the part.

This catalog uses two special reference number formats, one to indicate parts in a service assembly and another to indicate the quantity of a given part in an illustration.

Service Assembly Reference Numbers

Parts in service assemblies have reference numbers in the form a:b. The a represents the reference number of the entire service assembly and the b represents a sequential number unique to each part within the service assembly.

For example, a wheel assembly might be identified by reference number 6, the tire by 6:1, the valve by 6:2, and the wheel by 6:3. When you order the assembly identified by reference number 6, you receive all parts identified by reference numbers 6:1, 6:2, and 6:3. However, you may also order any part individually. Reference numbers of this type appear in illustration and in parts lists.

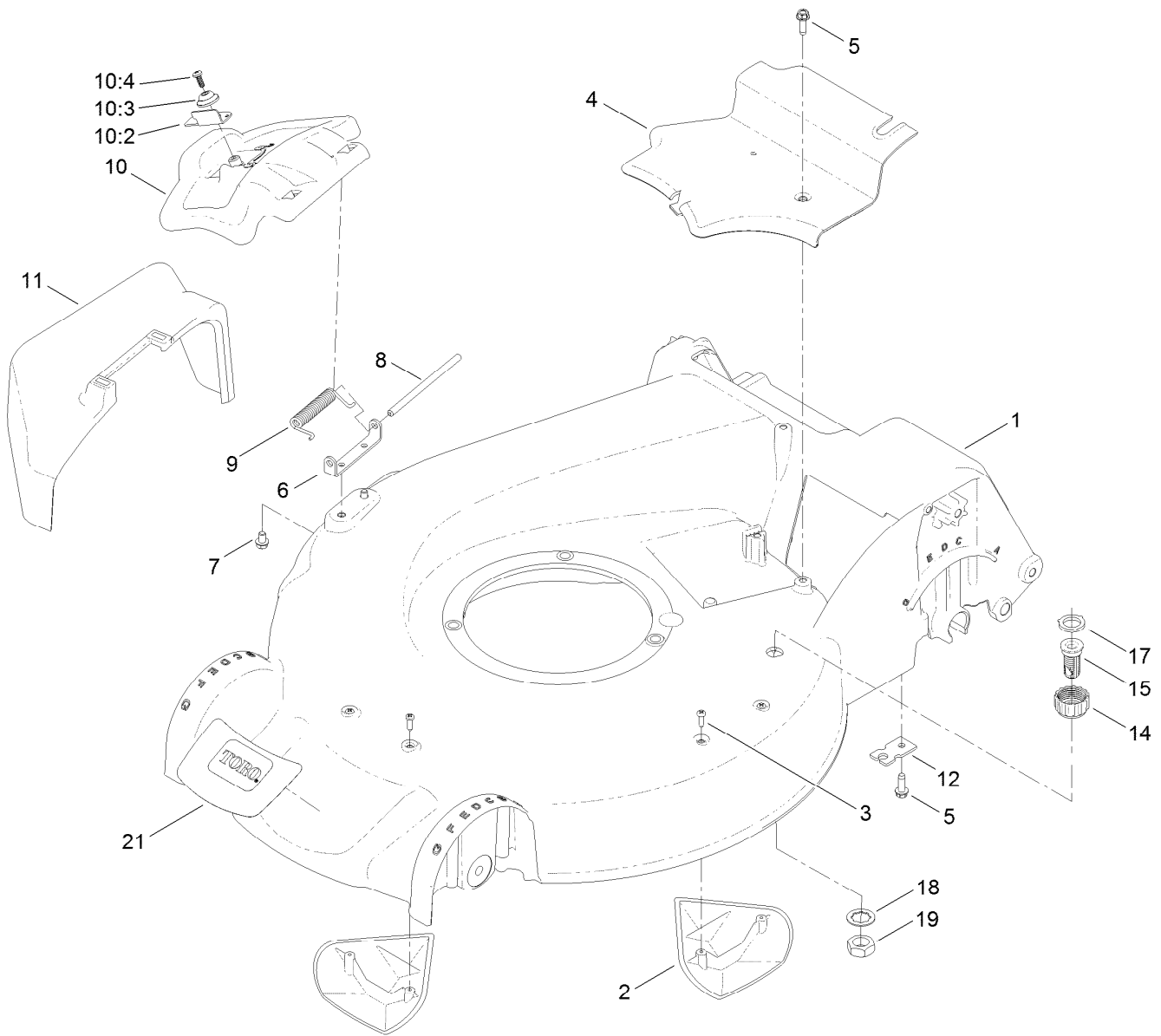
Reference Numbers Indicating Quantity

In an illustration, if a reference number indicates more than one part, the reference number has the form nX y. The n represents the quantity of the part, the X is the multiplication symbol, and the y represents the reference number.

For example, in an illustration, the reference number 2X 37 means that two of the parts identified by reference number 37 are indicated.

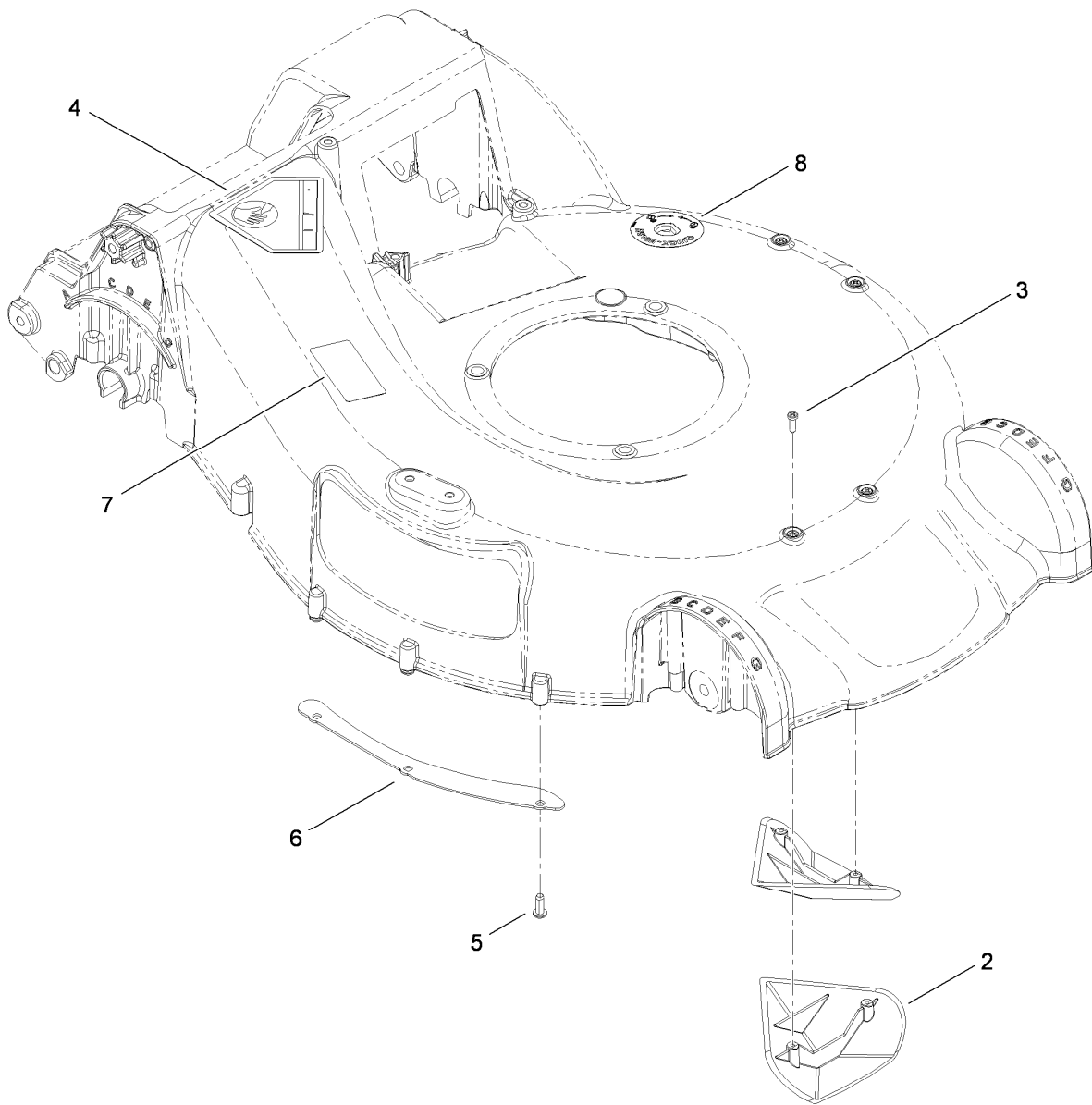
Contents

Housing Assembly	4
Housing Assembly No. 115-2854	5
Rear Door and Mulch Plug Assembly	6
Engine and Blade Assembly	7
Engine Assembly No. 1.....	8
Engine Assembly No. 2.....	9
Engine Assembly No. 3.....	10
Front Wheel and Height-of-Cut Assembly	11
Transmission and Rear Wheel Assembly	12
Handle Assembly	13
Attachments and Accessories	14



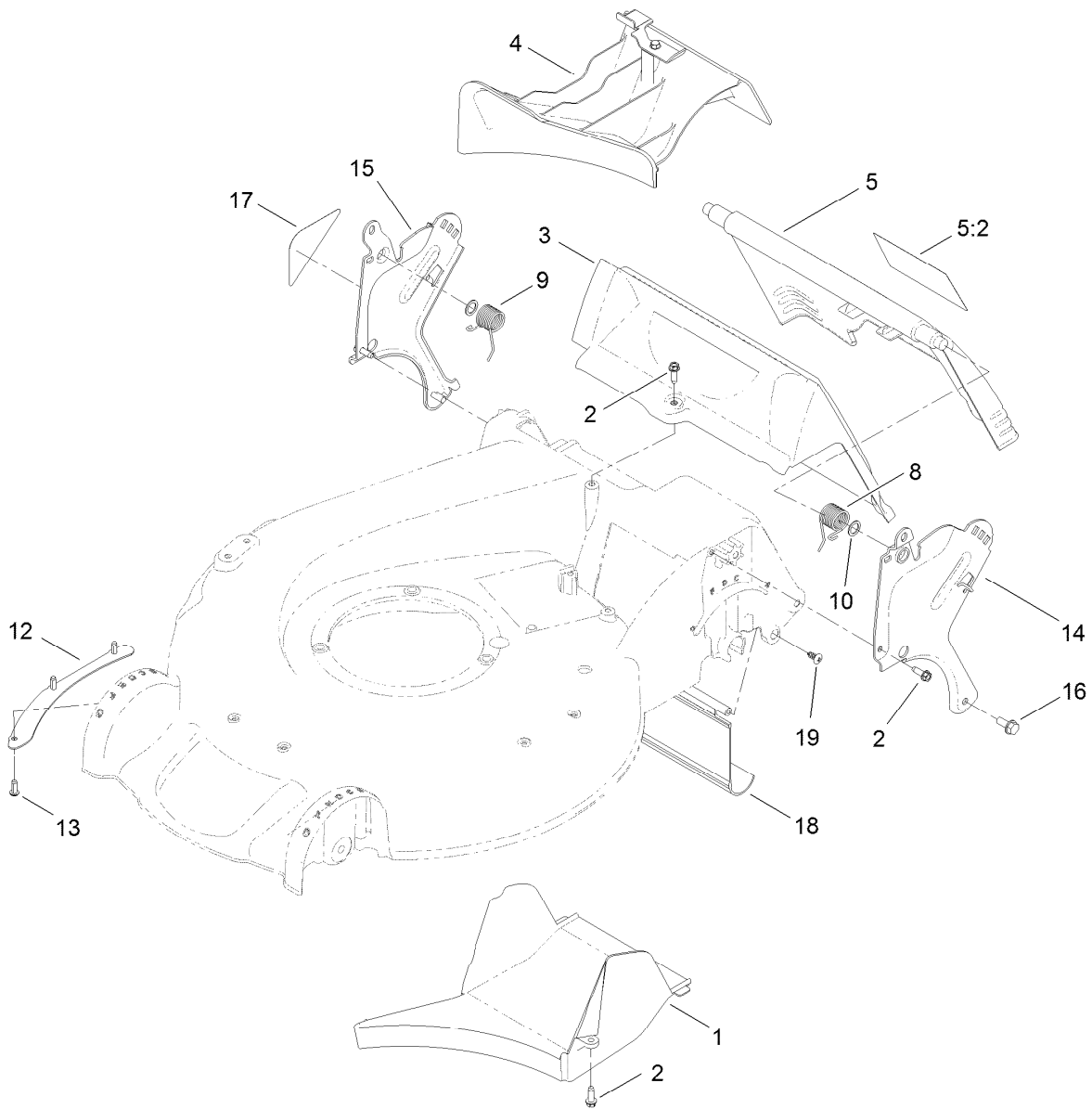
Housing Assembly

<i>Ref.</i>	<i>Part Number</i>	<i>Qty.</i>	<i>Description</i>	<i>Ref.</i>	<i>Part Number</i>	<i>Qty.</i>	<i>Description</i>
1	115-2854	1	Housing ASM	10:3	107-7456	1	Cap-Door
2	108-3798	2	Kicker-Housing	10:4	107-7461	1	Screw-Plastite
3	32144-111	4	Screw-PPH	11	108-3753	1	Chute-Discharge, Side
4	107-7494	1	Cover-Belt	12	107-7497	1	Bracket-Cable, Traction
5	49-2040	2	Screw-HWHTF	14	112-6401	1	Coupling-Hose, Washout Port
6	112-6416	1	Bracket-Cover	15	112-6400	1	Port-Washout
7	99-8445	2	Screw-HWH	17	112-6438	1	Washer-Seal, Washout Port
8	99-5291	1	Rod-Cover	18	3254-5	1	Washer-Tooth, Internal
9	99-5293	1	Spring-Torsion	19	3218-6	1	Nut-Jam
10	107-3717	1	Discharge Door ASM	21	121-5758	1	Decal-Deck
10:2	107-0795	1	Latch-Door				



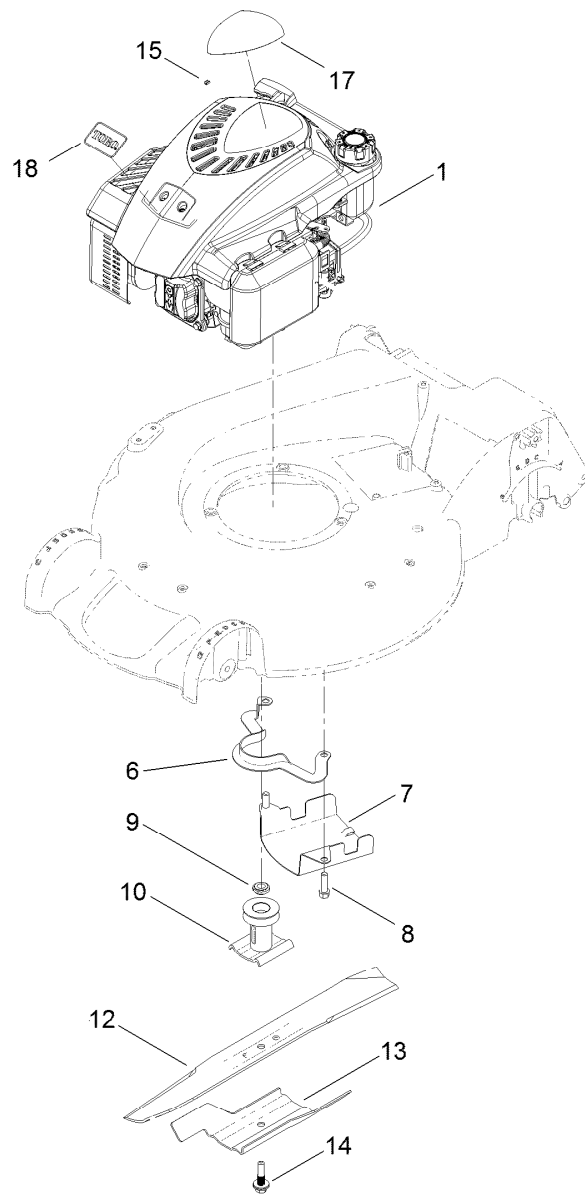
Housing Assembly No. 115-2854

<i>Ref.</i>	<i>Part Number</i>	<i>Qty.</i>	<i>Description</i>
2	108-3798	2	Kicker-Housing
3	32144-111	4	Screw-PPH
4	94-8072	1	Decal-Danger
5	63-8590	3	Screw
6	105-1316-03	1	Sheet-Lip
7	108-8117	1	Decal-Placement, Foot
8	112-8867	1	Decal-Port, Washout



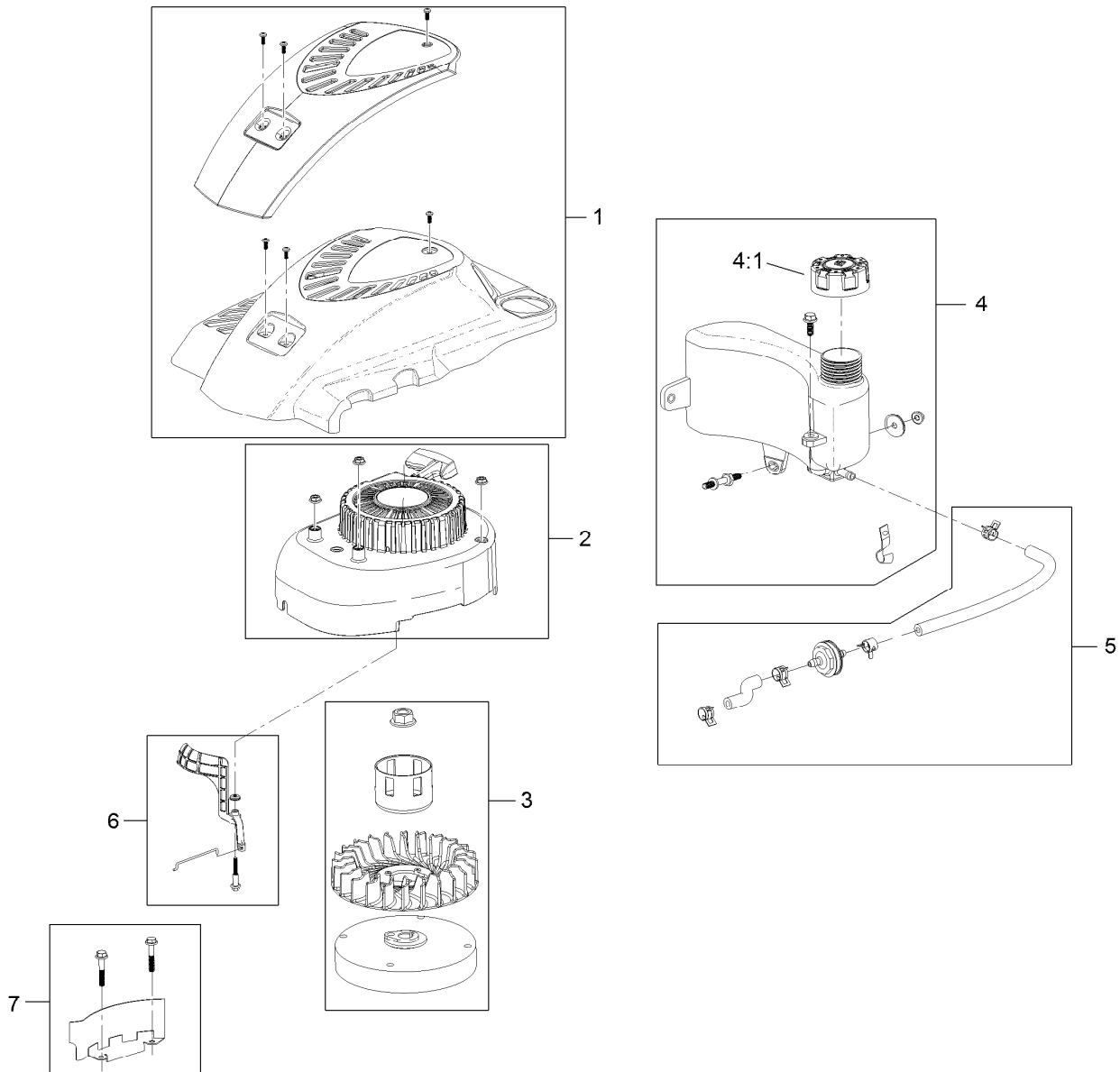
Rear Door and Mulch Plug Assembly

<i>Ref.</i>	<i>Part Number</i>	<i>Qty.</i>	<i>Description</i>	<i>Ref.</i>	<i>Part Number</i>	<i>Qty.</i>	<i>Description</i>
1	107-7495	1	Tunnel-Discharge	12	105-1316-03	1	Sheet-Lip
2	49-2040	5	Screw-HWHTF	13	63-8590	3	Screw
3	114-2668	1	Chute	14	114-2671-03	1	Bracket-Handle, LH
4	115-8413	1	Mulch Plug ASM	15	114-2672-03	1	Bracket-Handle, RH
5	121-5776	1	Rear Door ASM	16	32144-11	2	Screw-HWHTF
5:2	114-7982	1	Decal-Warning	17	115-2884	1	Decal-Instruction
8	115-2859	1	Spring-Torsion	18	114-1586	1	Shield-Trailing
9	114-7924	1	Spring-Torsion	19	117-1092	2	Screw-PTH
10	94-8196	2	Washer-Nylon				



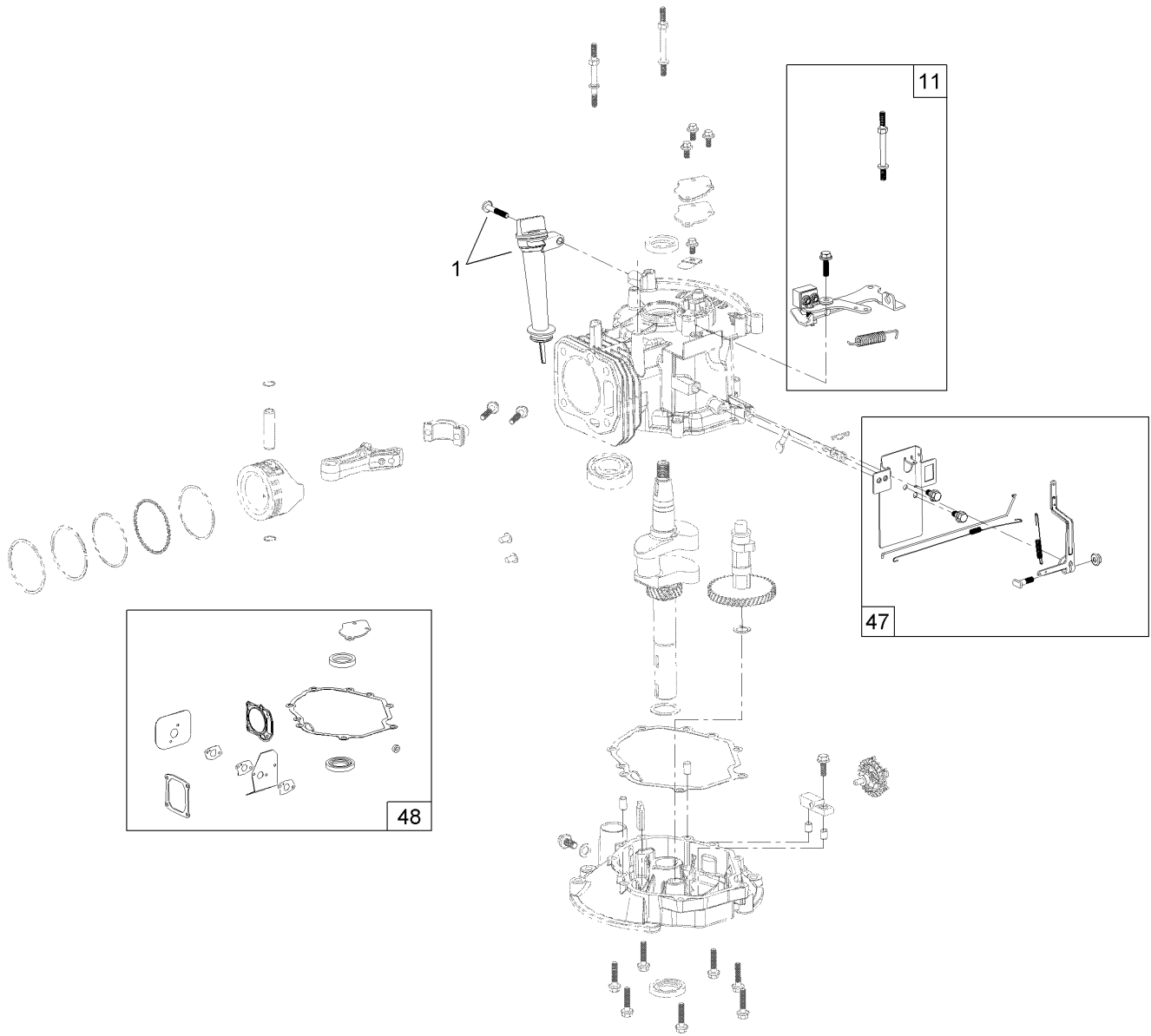
Engine and Blade Assembly

Ref.	Part Number	Qty.	Description
1	121-2057	1	Engine-Lc1P65Fa
6	108-8110-03	1	Guide-Belt
7	107-7489-03	1	Shield-Grass
8	95-1727	3	Screw-Taptite
9	106-3999	1	Spacer-Driver
10	106-3987	1	Driver-Blade
12	108-3762-03	1	Blade-Recycling
13	105-6848-03	1	Accelerator-Blade
14	105-8579	1	Bolt-Blade
15	92-1701	1	Stop-Rope
17	121-5822	1	Decal-Shroud
18	121-2396	1	Decal



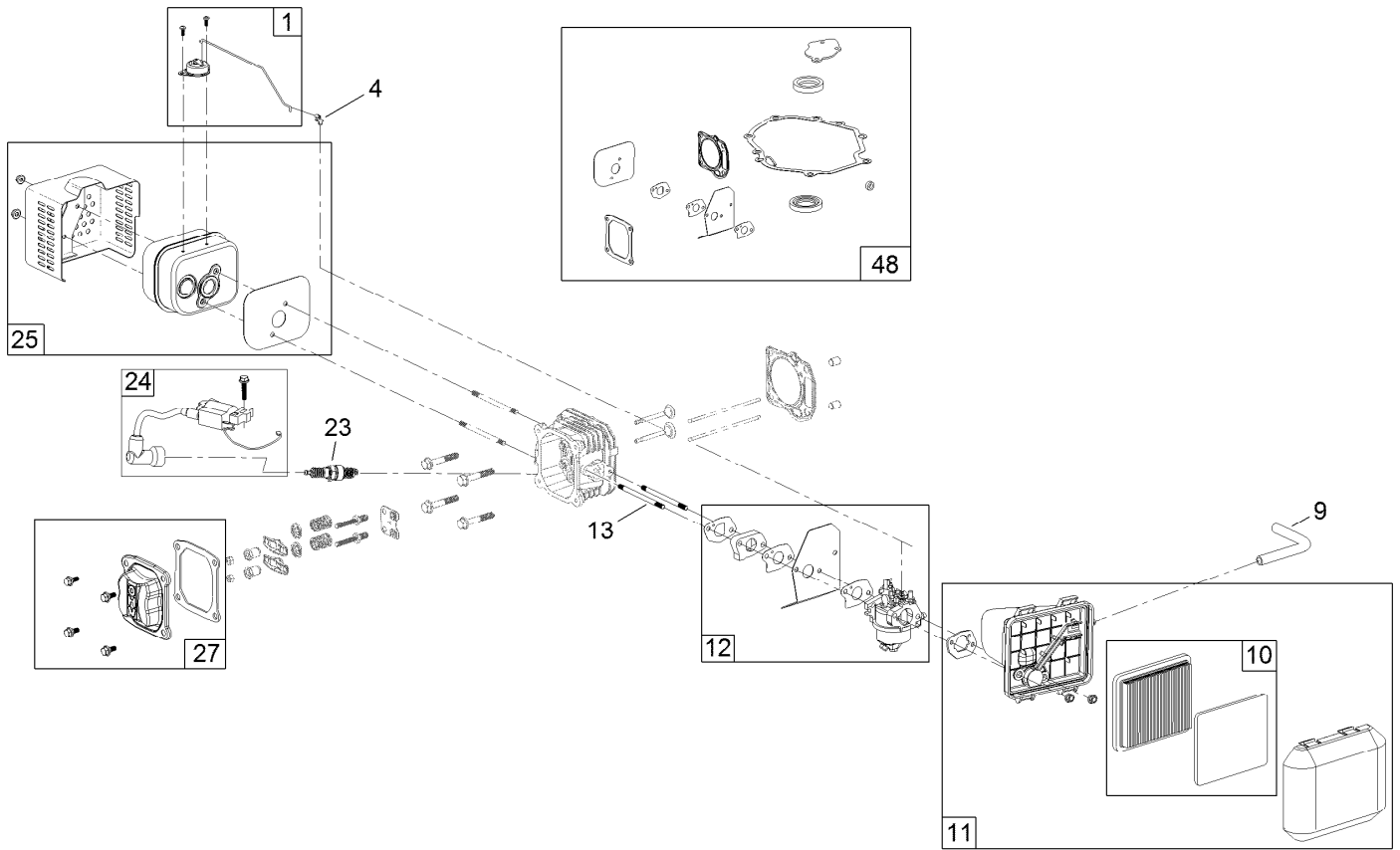
Engine Assembly No. 1

<i>Ref.</i>	<i>Part Number</i>	<i>Qty.</i>	<i>Description</i>
1	119-1990	1	Shroud ASM
2	119-1904	1	Shroud And Recoil ASM
3	119-1970	1	Flywheel And Fan Kit
4	119-1915	1	Fuel Tank Kit (Cap And Hardware)
4:1	119-1914	1	Cap-Fuel
5	120-4400	1	Fuel Line Kit
6	119-1966	1	Air Vane Choke Kit
7	119-1994	1	Flywheel Shield Kit



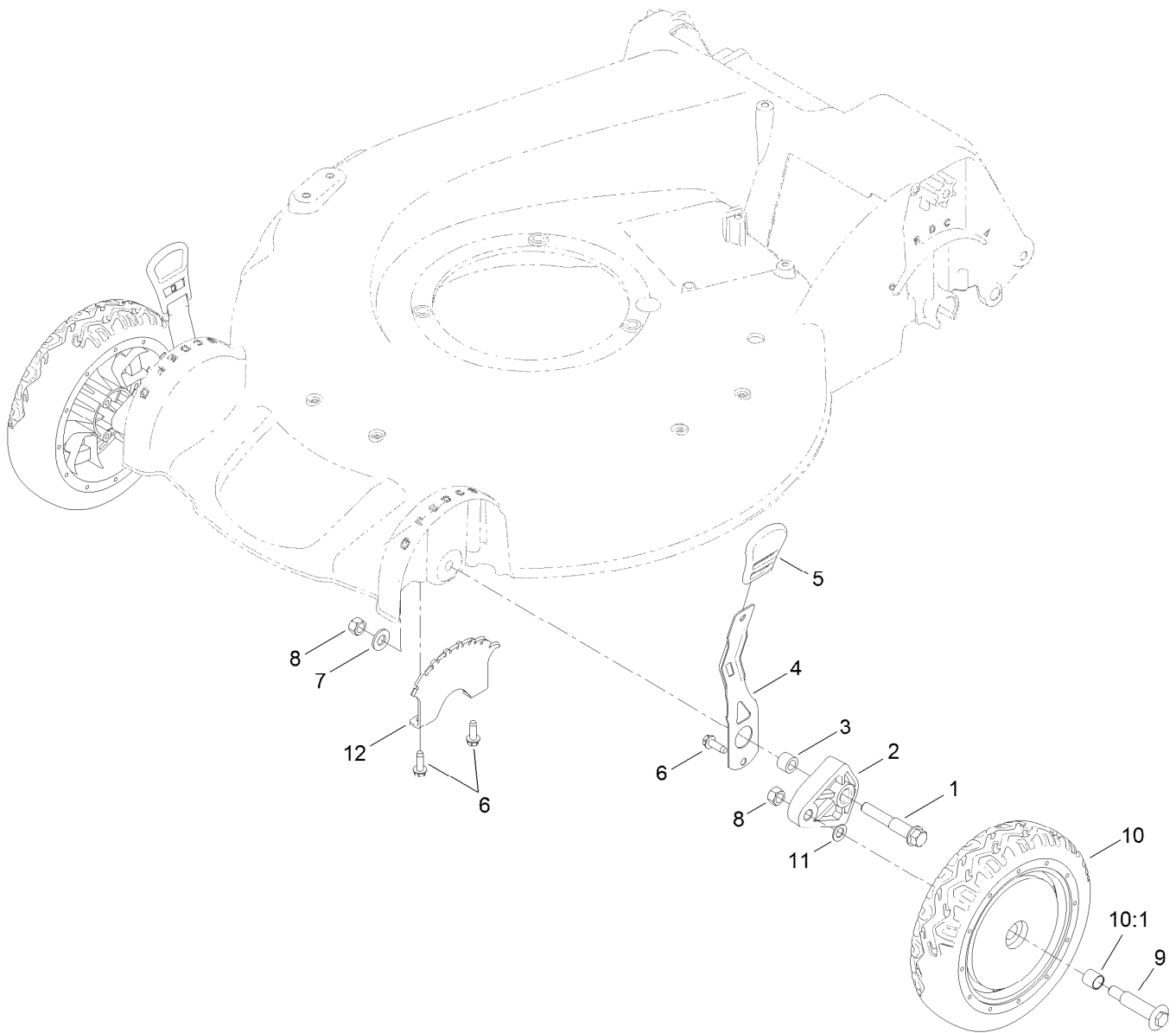
Engine Assembly No. 2

<i>Ref.</i>	<i>Part Number</i>	<i>Qty.</i>	<i>Description</i>
1	119-1903	1	Dipstick And Fill Tube Kit
11	119-1991	1	Brake ASM Recoil Kit
47	119-1968	1	Governor Arm Kit
48	121-0425	1	Seal And Gasket Kit



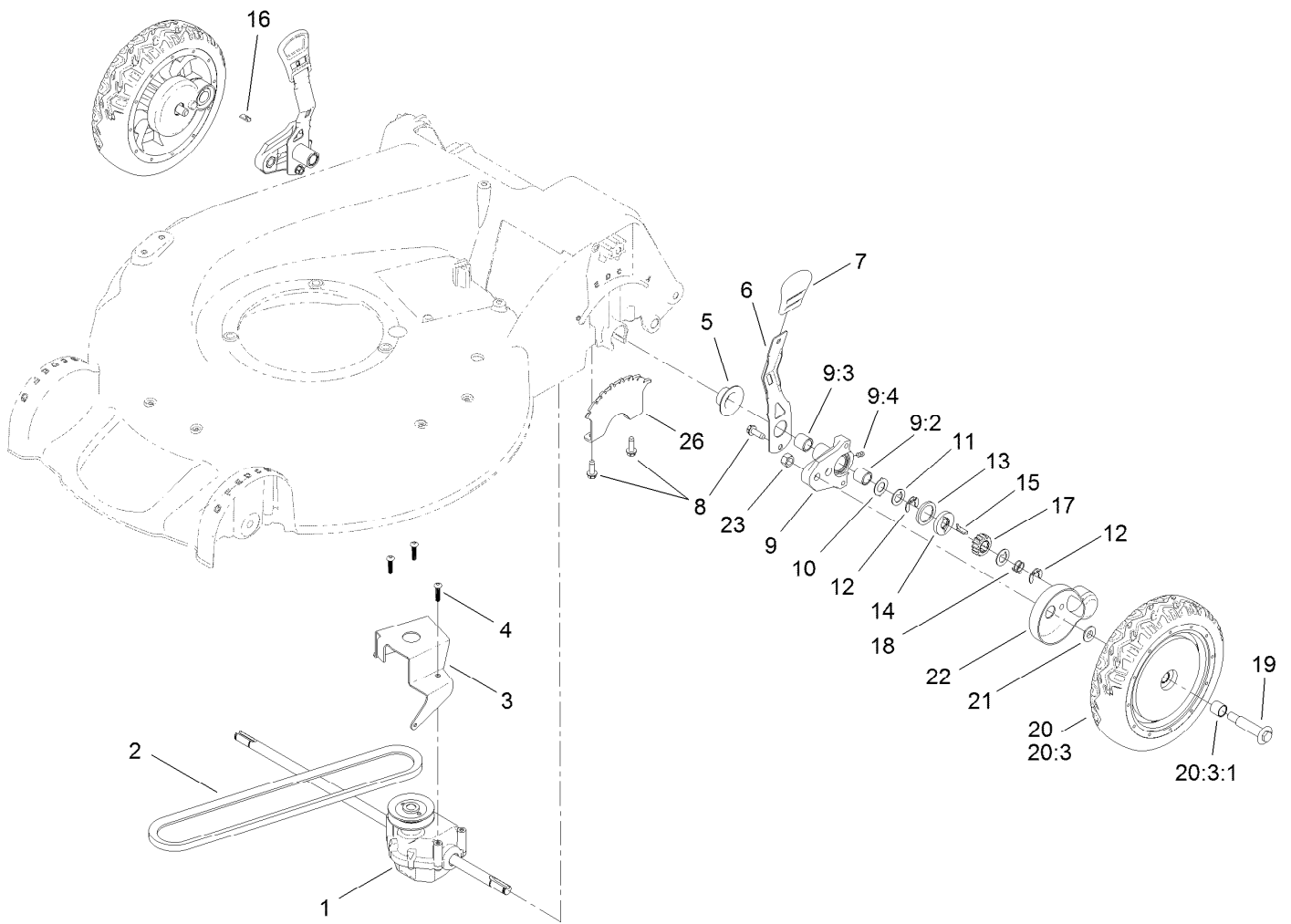
Engine Assembly No. 3

Ref.	Part Number	Qty.	Description
1	119-1999	1	Thermal Choke Control Kit
4	120-4451	1	Lock-Throttle
9	119-1902	1	Tube-Breather
10	119-1909	1	Air Filter And Prefilter Kit
11	121-0374	1	Air Cleaner ASM
12	120-4405	1	Carburetor Repair Kit
12	121-0373	1	Carburetor Complete Kit
13	121-0367	2	Stud-Intake
23	119-1901	1	Plug-Spark
24	119-1908	1	Ignition And Hardware Kit
25	119-1969	1	Muffler And Shield Kit
27	121-0492	1	Valve Cover Kit
48	121-0425	1	Seal And Gasket Kit



Front Wheel and Height-of-Cut Assembly

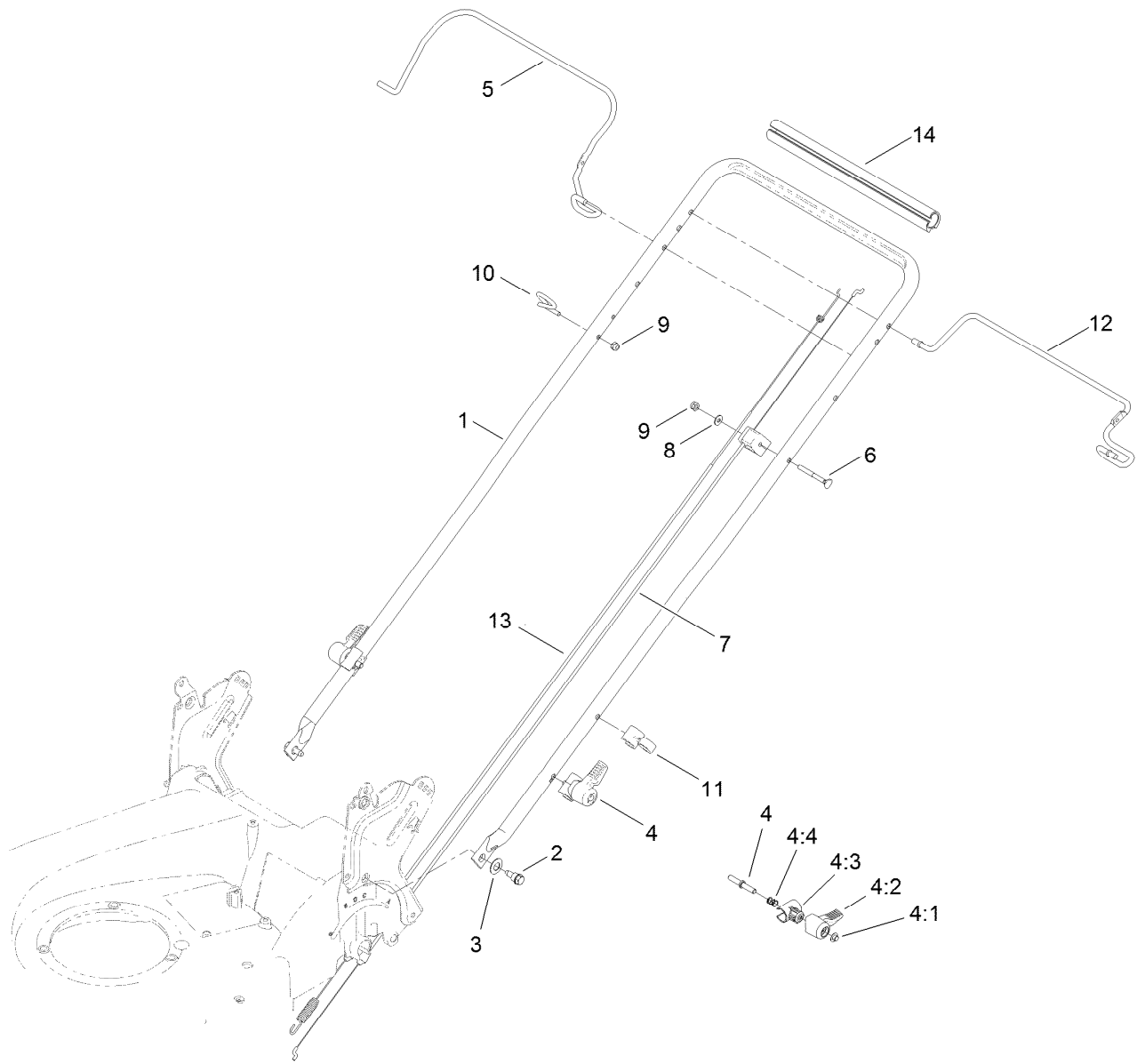
Ref.	Part Number	Qty.	Description
1	114-3467	2	Screw-Shoulder
2	107-7492	2	Arm-Pivot
3	52-2480	2	Spacer-Wheel
4	107-7491	2	Arm-Spring
5	110-0549	2	Knob-HOC
6	49-2040	6	Screw-HWHTF
7	3256-24	2	Washer-Flat
8	603773	4	Nut
9	92-1057	2	Bolt-Shoulder
10	107-3708	2	Wheel ASM
10:1	27-6250	2	Bushing
11	40-1940	2	Washer
12	107-7478	2	Plate-HOC



Transmission and Rear Wheel Assembly

Ref.	Part Number	Qty.	Description	Ref.	Part Number	Qty.	Description
1	121-2331	1	Transmission ASM	13	65-4710	2	Ring-Friction
2	92-1043	1	V-Belt	14	65-4760	2	Washer-Clutch
3	114-7977-03	1	Bracket-Transmission	15	66-6050	1	Key-Rocking, LH
4	108-7476	3	Screw-Plastite	16	66-6040	1	Key-Rocking, RH
5	42-3520	2	Cap-End	17	65-4750	2	Gear-Pinion
6	107-7491	2	Arm-Spring	18	65-4720	2	Spring-Compression
7	110-0549	2	Knob-HOC	19	92-1057	2	Bolt-Shoulder
8	49-2040	6	Screw-HWHTF	20	107-3709	2	Wheel Gear ASM
9	100-8774	2	Pivot Arm ASM	20:3		1	Wheel ASM ●
9:2	47-2900	1	Bushing	20:3:1	27-6250	2	Bushing
9:3	70-9760	1	Bushing	21	74-1671	2	Spacer-Cover, Wheel
9:4	302-56	1	Fitting-Grease	22	74-1660	2	Cover-Wheel
10	65-4730	2	Washer-Arm, Pivot	23	603773	2	Nut
11	65-4740	4	Washer-Thrust, Keyed	26	107-7478	2	Plate-HOC
12	65-2720	4	Ring-Clip, Locking				

● Not serviced separately



Handle Assembly

Ref.	Part Number	Qty.	Description	Ref.	Part Number	Qty.	Description
1	121-9167-05	1	Handle	6	92-2270	1	Screw-Handle
2	115-1958	2	Bolt-Shoulder	7	117-5919	1	Cable-Brake
3	112-9972	2	Washer-Spring, Conical	8	3256-1	1	Washer-Flat
4	115-2860	2	Quick Release ASM	9	3296-73	2	Nut-Lock, NI
4:1	109-0917	1	Nut-Push	10	86-9671	1	Guide-Rope
4:2	114-7995	1	Lever	11	114-7988	1	Guide-Cable
4:3	114-7996	1	Anchor-Spring	12	119-2378-03	1	Bail-Traction
4:4	115-2858	1	Spring-Compression	13	121-2393	1	Cable-Traction
5	117-5965-03	1	Bail-Brake	14	119-2357	1	Grip-Handle, Comfort

Attachments and Accessories

For 20380 Super Recycler Lawn Mower

Product Name	Model/Part
Bagging Blade	108-3759-03
Traction Assist Handle Kit.....	108-8120
Mower Maintenance Kit	20239
Lawnmower Cover.....	490-7462
Bagger Kit.....	59165

Notes:



Count on it.