



Count on it.

Parts Catalog

TimeMaster 30in Lawn Mower

Model No. 20199—Serial No. 313000001 and Up



Ordering Replacement Parts

To order replacement parts, please supply the part number, the quantity, and the description of each part desired.

Understanding Reference Numbers

Each identified part in an illustration has a reference number. The reference number for a part also appears in the parts list, along with other information about the part.

This catalog uses two special reference number formats, one to indicate parts in a service assembly and another to indicate the quantity of a given part in an illustration.

Service Assembly Reference Numbers

Parts in service assemblies have reference numbers in the form a:b. The a represents the reference number of the entire service assembly and the b represents a sequential number unique to each part within the service assembly.

For example, a wheel assembly might be identified by reference number 6, the tire by 6:1, the valve by 6:2, and the wheel by 6:3. When you order the assembly identified by reference number 6, you receive all parts identified by reference numbers 6:1, 6:2, and 6:3. However, you may also order any part individually. Reference numbers of this type appear in illustration and in parts lists.

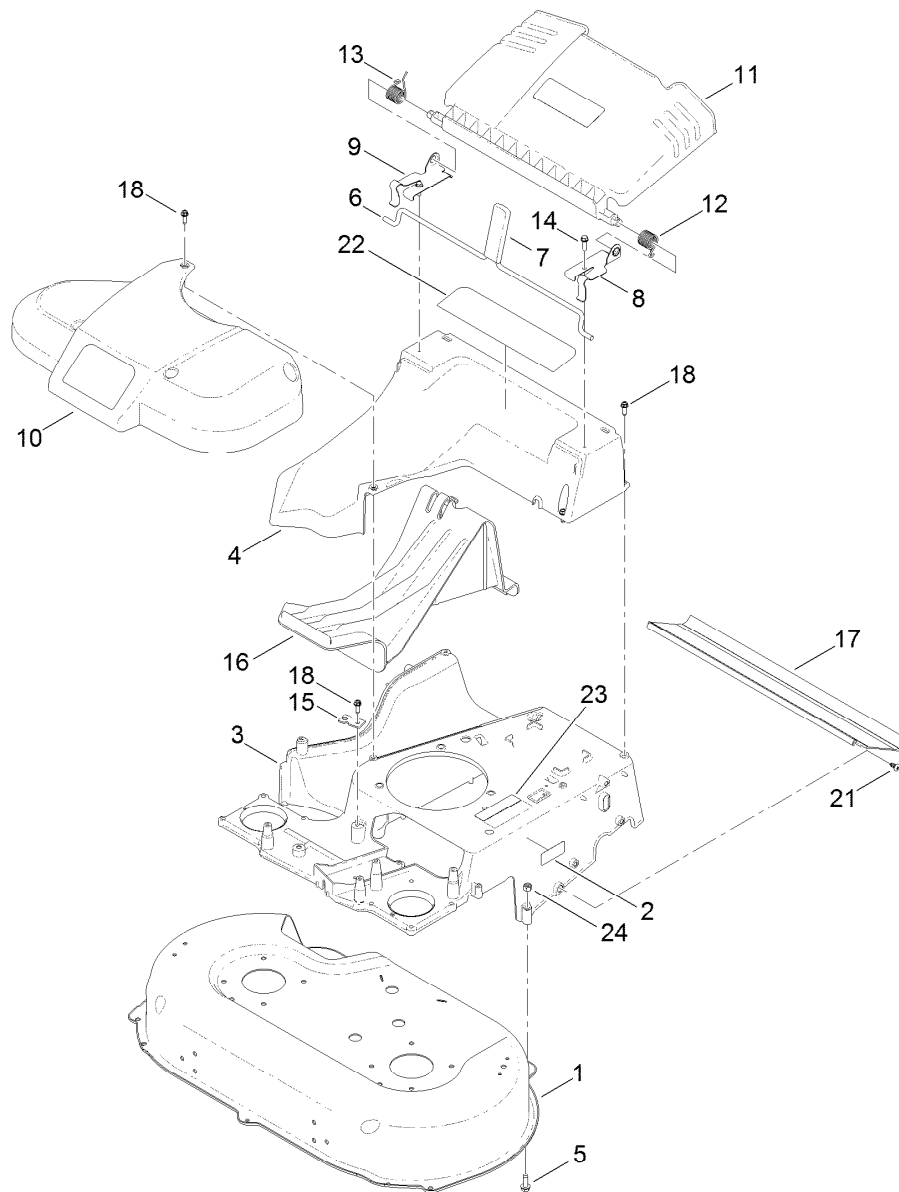
Reference Numbers Indicating Quantity

In an illustration, if a reference number indicates more than one part, the reference number has the form nX y. The n represents the quantity of the part, the X is the multiplication symbol, and the y represents the reference number.

For example, in an illustration, the reference number 2X 37 means that two of the parts identified by reference number 37 are indicated.

Contents

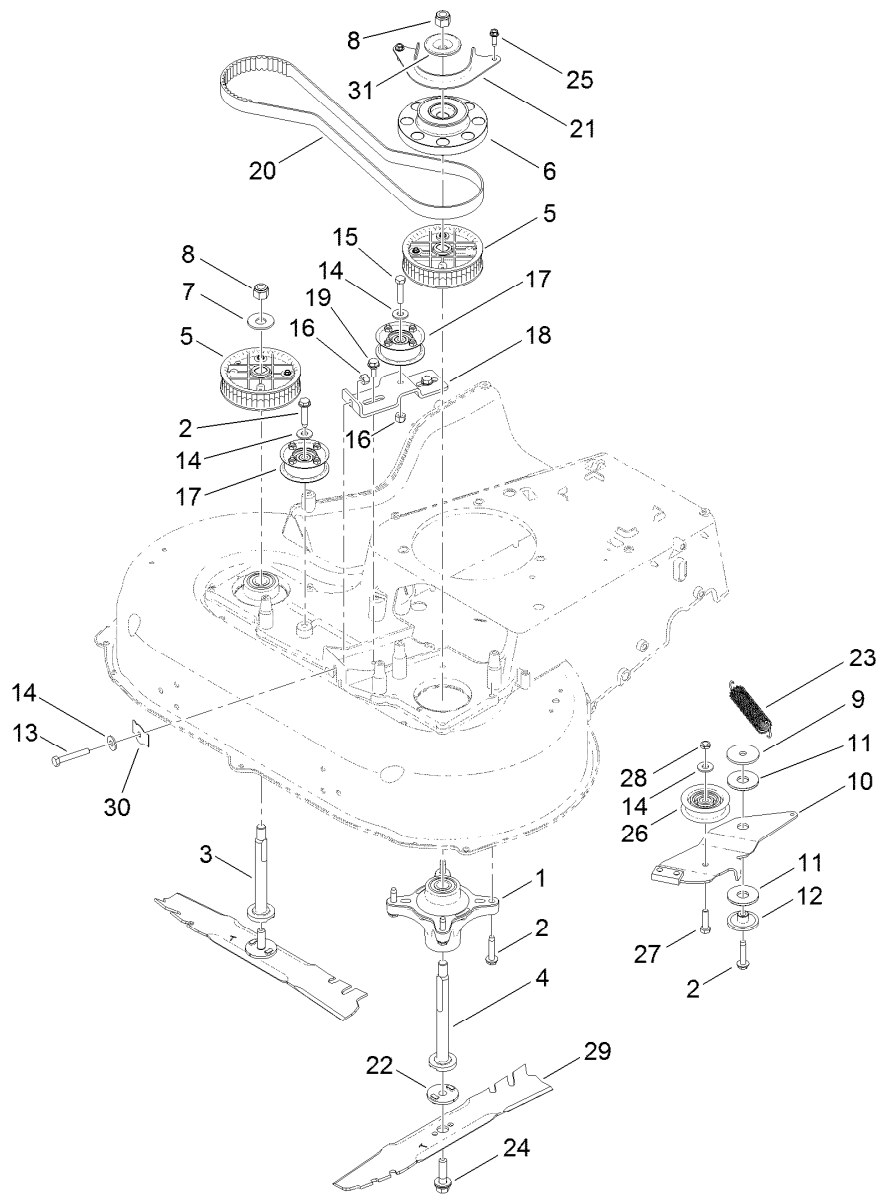
Deck and Frame Assembly	4
Belt, Spindle and Blade Assembly	5
Side Discharge Chute Assembly	6
Engine and Pulley Assembly	7
Front Wheel and Axle Assembly	8
Transmission, Rear Wheel and Height-of-Cut Assembly	9
Handle Assembly	10
Bag Assembly	12
Attachments and Accessories	13



Deck and Frame Assembly

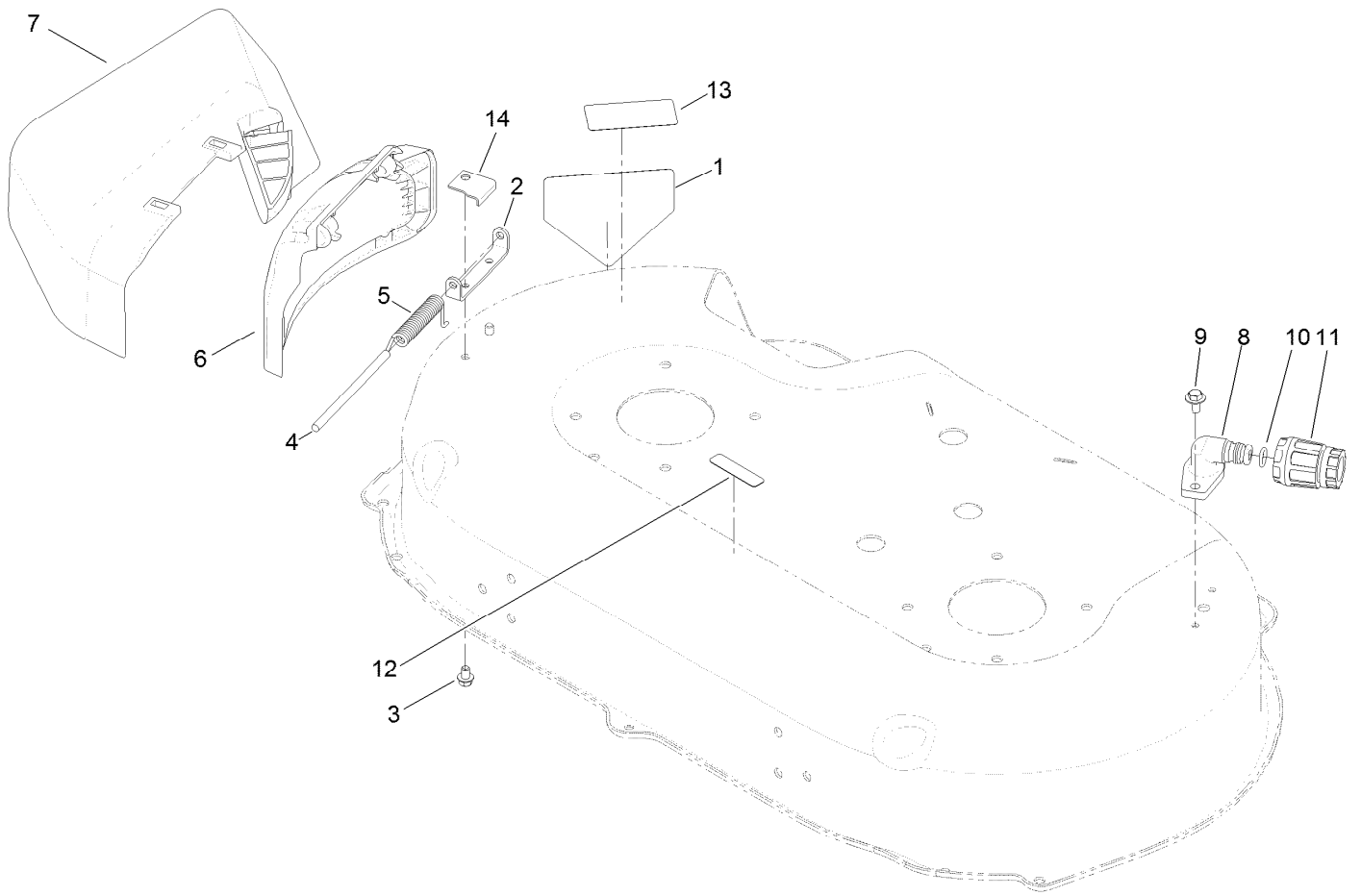
<i>Ref.</i>	<i>Part Number</i>	<i>Qty.</i>	<i>Description</i>	<i>Ref.</i>	<i>Part Number</i>	<i>Qty.</i>	<i>Description</i>
1	125-5087	1	Housing ASM	12	115-2859	1	Spring-Torsion
2	121-5684	1	Decal-Location, Service Dealer	13	114-7924	1	Spring-Torsion
3	121-9198-01	1	Frame	14	46-8091	2	Screw-HWH
4	120-3336	1	Chute	15	107-7497	1	Bracket-Cable, Traction
5	3230-5	2	Screw-CARR	16	120-5225	1	Plug-Mulch
6	120-3344	1	Rod-Release, Handle	17	120-6241	1	Shield-Trailing
7	120-7018	1	Grip-Lever	18	49-2040	9	Screw-HWHTF
8	121-9114	1	Bracket-Door, LH	21	117-1092	2	Screw-PTH
9	121-9115	1	Bracket-Door, RH	22	121-2398	1	Decal-Position, Handle
10	120-7049	1	Belt Cover ASM	23	117-2718	1	Decal-Arrester, Spark
11	120-7048	1	Rear Deflector ASM	24	3296-29	2	Nut-Lock, NI
				99	125-5072	1	Frame Plate Kit ●

● Not illustrated



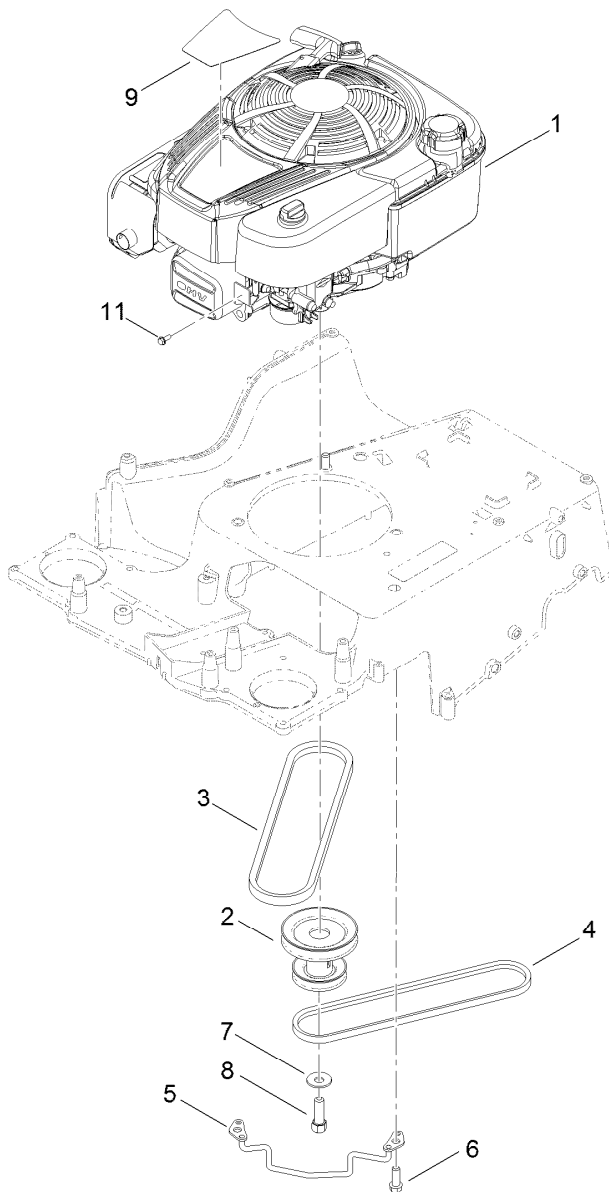
Belt, Spindle and Blade Assembly

Ref.	Part Number	Qty.	Description	Ref.	Part Number	Qty.	Description
1	121-9107	2	Spindle ASM	17	121-5763	2	Pulley
2	32144-57	10	Screw	18	120-3348	1	Bracket-Idler
3	120-5234	1	Shaft-Spindle	19	120-7024	2	Screw-Shoulder, HHF
4	120-5235	1	Shaft-Spindle	20	120-3335	1	Belt-Synchronous
5	121-9100	2	Sprocket	21	120-5245-03	1	Guide-Belt, Spindle
6	120-3334	1	Pulley-Brake, Spindle	22	120-5236	2	Adapter-Blade
7	109-9505	1	Washer-Spring	23	121-5808	1	Spring-Extension, Brake
8	3296-19	2	Nut-Hex	24	125-2466	2	Bolt-Blade
9	63-7400	1	Washer-Rebound	25	49-2040	2	Screw-HWHTF
10	120-6242	1	Arm-Brake	26	120-7082	1	Pulley-Idler
11	121-2305	2	Washer-Friction, Composite	27	322-6	1	Screw-HH
12	120-9490	1	Spacer	28	3296-47	1	Nut-Lock, NI
13	9114524	1	Bolt-TAP, HH	29	120-9500-03	2	Blade-Atomic, 15.4 Inch
14	3256-3	4	Washer-Flat	30	121-2336	1	Spring-Flat
15	322-7	1	Screw-HH	31	125-2544	1	Washer-Cup
16	3296-29	2	Nut-Lock, NI				



Side Discharge Chute Assembly

Ref.	Part Number	Qty.	Description
1	94-8072	1	Decal-Danger
2	112-6416	1	Bracket-Cover
3	99-8445	2	Screw-HWH
4	99-5291	1	Rod-Cover
5	121-5843	1	Spring-Torsion, Cover
6	125-5091	1	Deflector-Side
7	121-2319	1	Chute-Discharge, Side
8	95-2747	1	Fitting-Washout
9	46-8560	2	Screw-HHFTF
10	46-6290	1	O-Ring
11	95-3270	1	Connector-Hose
12	120-9570	1	Decal-Warning
13	125-5092	1	Decal-Placement, Foot
14	121-5842	1	Plate-Spring

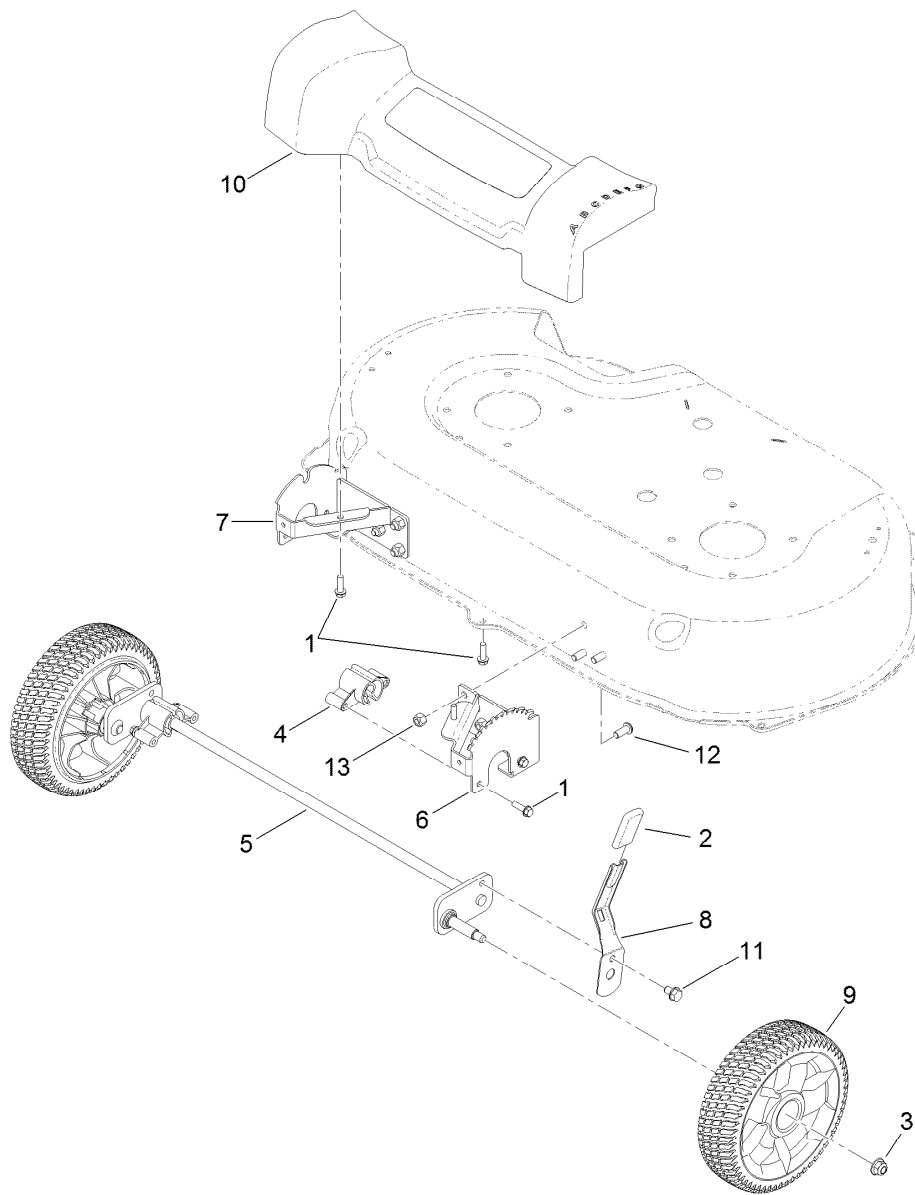


Engine and Pulley Assembly

Ref.	Part Number	Qty.	Description
1		1	Engine-Briggs, 121S020130F1 ●■
2	120-3333	1	Pulley-Engine
3	121-5765	1	V-Belt
4	120-9470	1	V-Belt, Traction
5	120-7077	1	Guide-Belt
6	95-1726	3	Screw-Taptite
7	3290-465	1	Washer-Belleville
8	26-0671	1	Screw-HH
9	121-2318	1	Decal-Shroud
11	32144-1	1	Screw-Taptite

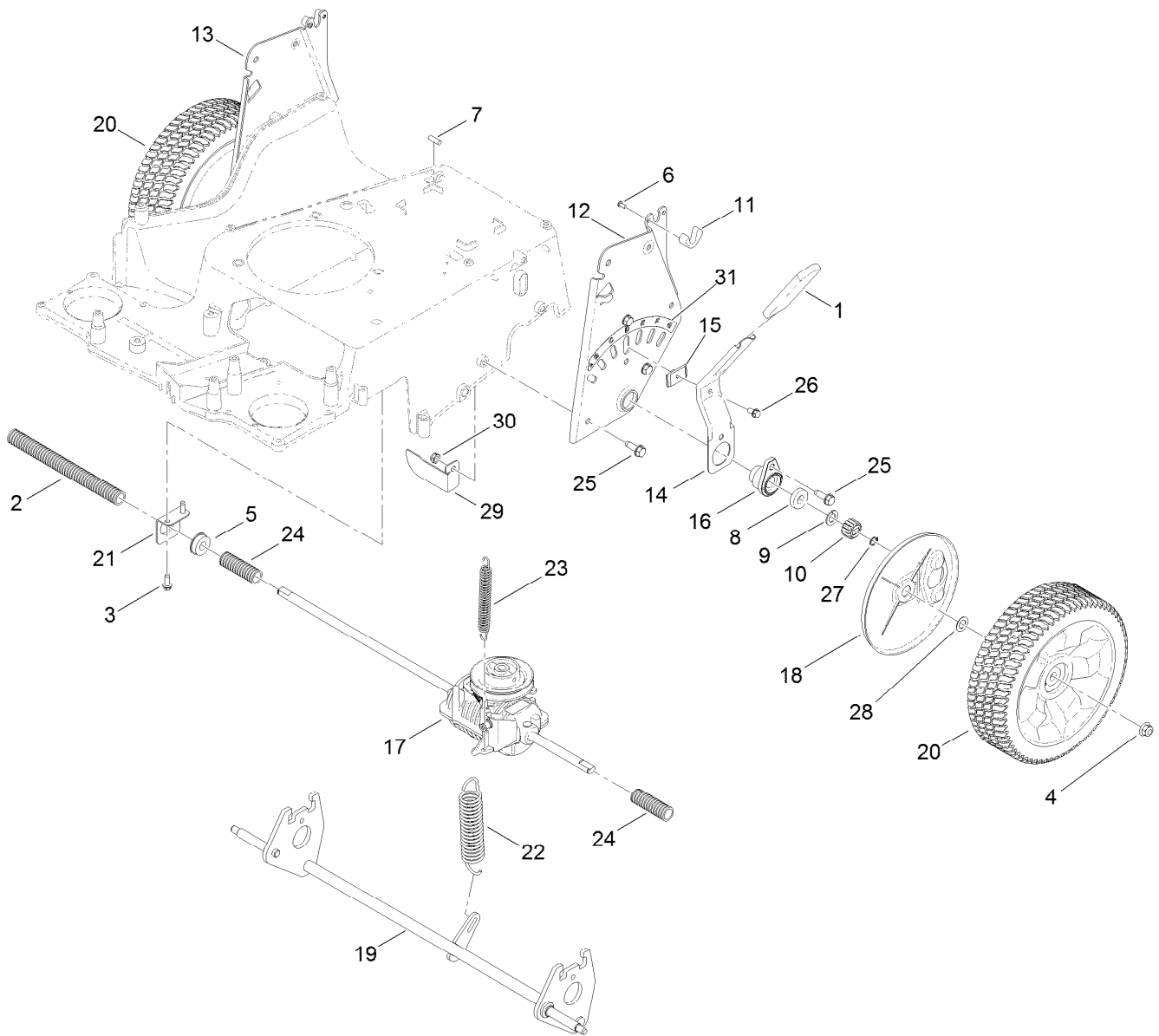
● Not serviced separately

■ Obtain parts from www.briggsandstratton.com



Front Wheel and Axle Assembly

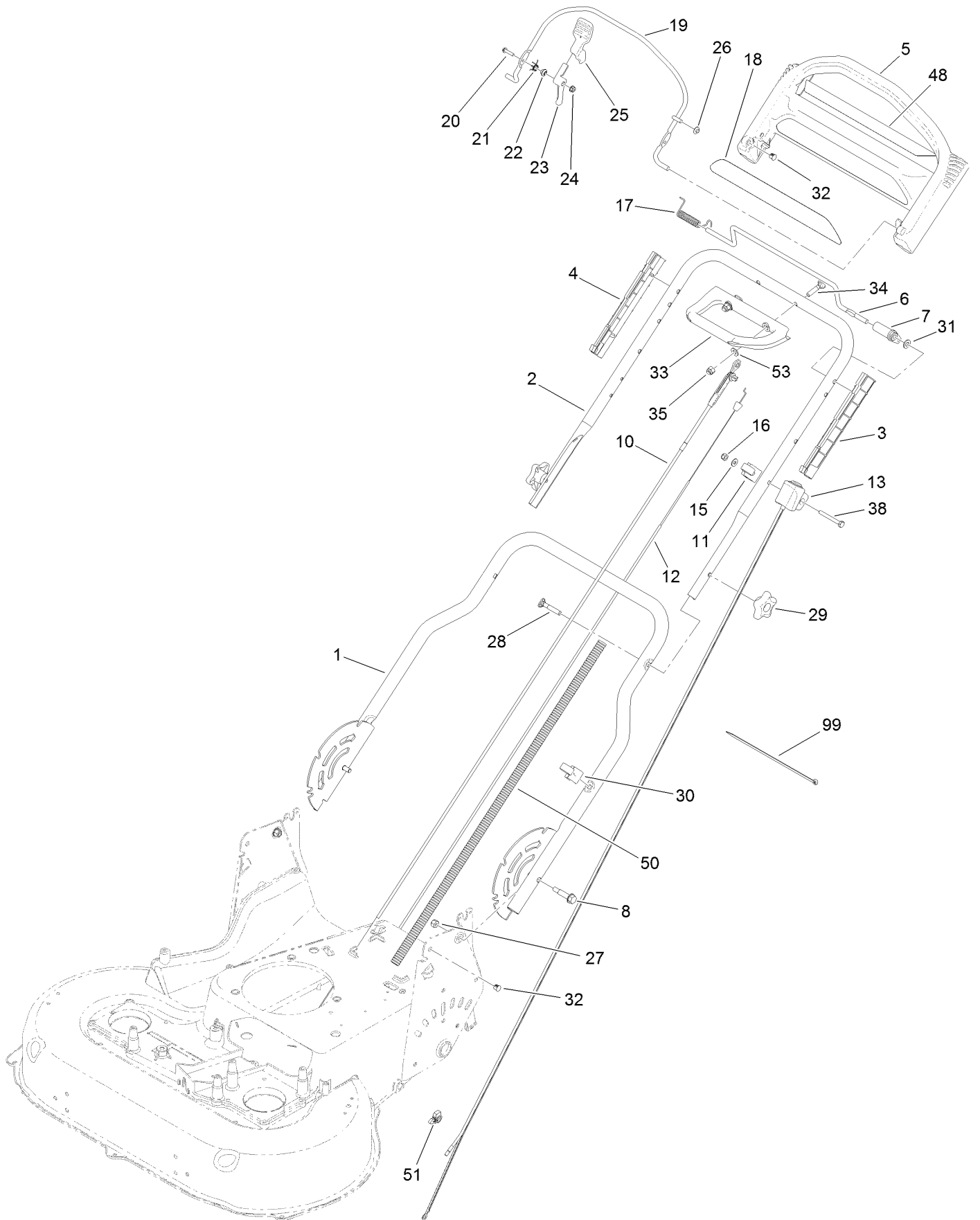
Ref.	Part Number	Qty.	Description
1	46-8091	7	Screw-HWH
2	120-9535	1	Grip-Lever
3	104-8301	2	Nut-HF, NI
4	125-2495	2	Bushing-Pivot, Front
5	125-5061	1	Axle-Front
6	120-7037-03	1	Plate-HOC, LH
7	120-7038-03	1	Plate-HOC, RH
8	120-7043	1	Arm-Spring
9	125-2510	2	8 Inch Wheel ASM
10	125-5027	1	Front Cover ASM
11	700057	1	Screw-HWH
12	3274-55	6	Screw-HSBH
13	3296-29	6	Nut-Lock, NI



Transmission, Rear Wheel and Height-of-Cut Assembly

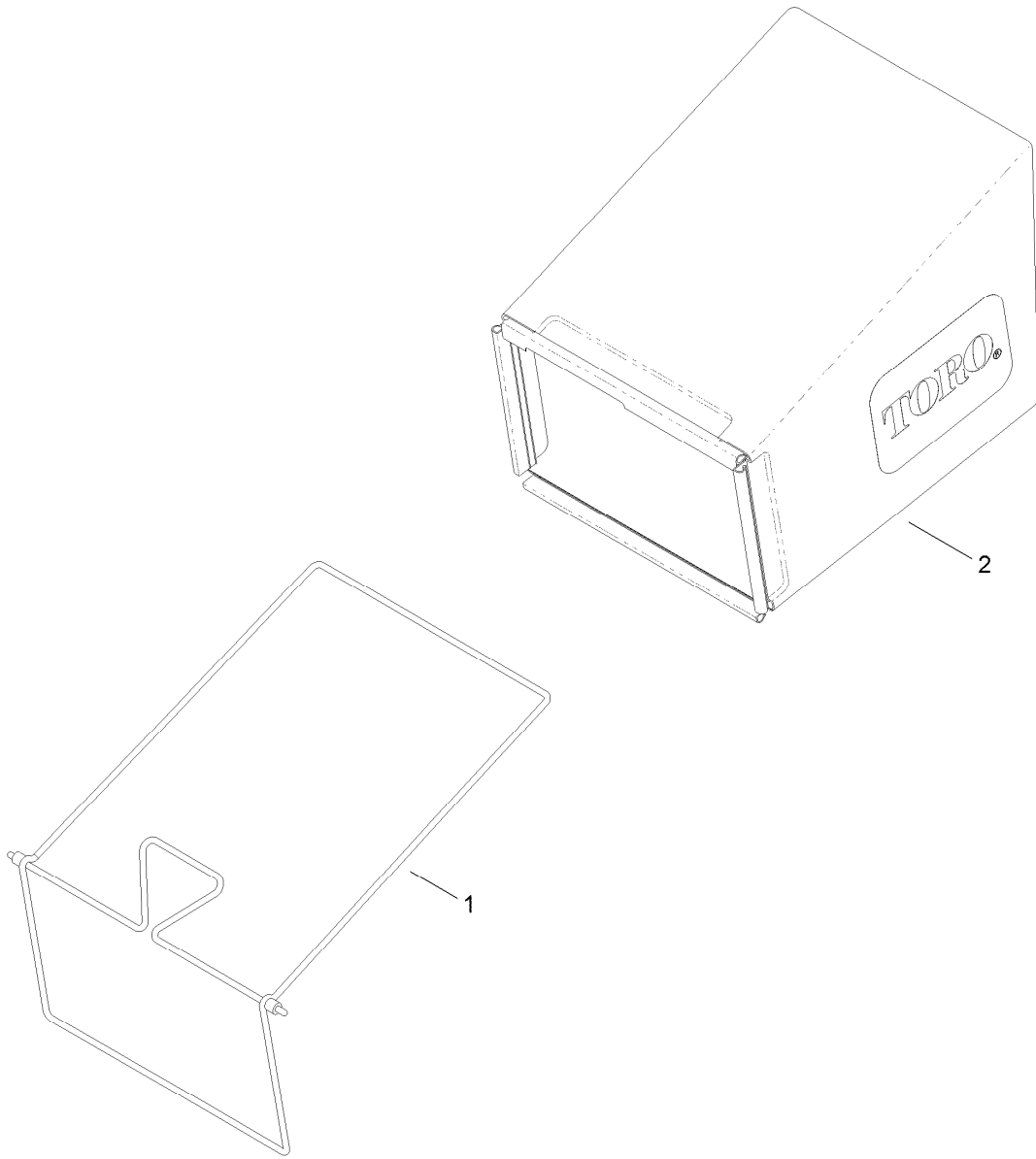
Ref.	Part Number	Qty.	Description	Ref.	Part Number	Qty.	Description
1	1-633295	1	Grip-Lever, Lift	17	127-0656	1	Transmission-Msv2
2	121-5799	1	Conduit-Convolved	18	120-6233	2	Cover-Gear
3	49-2040	2	Screw-HWHTF	19	125-5062	1	Axle-Rear
4	104-8301	2	Nut-HF, NI	20	125-2509	2	10 Inch Wheel Gear ASM
5	104-8699	1	Bearing-Ball	21	120-7008	1	Mount-Bearing
6	105-9437	2	Screw-PPH	22	120-7026	1	Spring-Extension
7	106-5681	1	Pin-Stop	23	120-7027	1	Spring-Extension
8	109-8020	2	Bearing-Ball	24	121-5800	2	Conduit-Convolved
9	110-7191	2	Washer-Thrust	25	701243	8	Screw-HWHTF
10	110-9417	2	Gear-Pinion, 15T	26	32144-4	1	Screw-HWH
11	115-8406	2	Anchor-Bag	27	32151-61	2	Ring-Retaining
12	120-3342-03	1	Plate-HOC, LH	28	36-4780	2	Washer-Plain
13	120-3343-03	1	Plate-HOC, RH	29	121-5821	1	Bracket-Stop
14	120-5208	1	Arm-Spring, Rear	30	3296-47	1	Nut-Lock, NI
15	120-5209	1	Key-Springarm	31	125-2497	1	Decal-HOC, Rear
16	120-5210	2	Retainer-Bearing				

Handle Assembly



Handle Assembly (continued)

<i>Ref.</i>	<i>Part Number</i>	<i>Qty.</i>	<i>Description</i>	<i>Ref.</i>	<i>Part Number</i>	<i>Qty.</i>	<i>Description</i>
1	120-5204-05	1	Handle-Lower	23	106-6802	1	Lever
2	121-5783-05	1	Handle-Upper	24	32128-17	1	Nut-Lock, Flange
3	105-6842	1	Guide-LH	25	112-8884	1	Knob
4	105-6841	1	Guide-RH	26	3290-337	1	Nut-Speed
5	104-8678	1	Handle-Control	27	3296-29	2	Nut-Lock, NI
6	99-1588	1	Bar-Control, Traction	28	92-2260	2	Screw-Handle
7	99-1589	1	Lever-Traction	29	117-5976	2	Knob-Handle
8	120-7025	2	Bolt-Shoulder, HHF	30	114-7988	1	Guide-Cable
10	120-6243	1	Cable-Brake, BBC	31	3256-23	1	Washer-Plain
11	99-5239	1	Anchor-Cable	32	104-9368	3	Plug-Dome
12	120-6244	1	Cable-Traction	33	120-7087	1	Handle-Assist, Traction
13	117-5975	1	Switch Housing ASM	34	92-4095	2	Screw-Handle
15	3256-1	1	Washer-Flat	35	125-5028	2	Nut-Hex, Nylon Cap
16	3296-73	1	Nut-Lock, NI	38	321-50	1	Screw-HH
17	121-9118	1	Spring-Torsion	48	121-2399	1	Decal-Assist, Traction
18	117-1019	1	Decal	50	121-5801	1	Conduit-Convolutd
19	108-3788-03	1	Bail-Brake	51	125-2545	1	Clip-Conduit
20	106-9169	1	Screw-HWH	53	71-9320	2	Spacer
21	107-7462	1	Spring-Torsion	99	614249	2	Tie-Cable
22	107-7463	1	Spacer				



Bag Assembly

<i>Ref.</i>	<i>Part Number</i>	<i>Qty.</i>	<i>Description</i>
1	121-5766-03	1	Frame-Bag
2	121-5770	1	Bag-Grass

Attachments and Accessories

For 20199 TimeMaster 30in Lawn Mower

Product Name	Model/Part
High-Lift Blade and Baffle Kit, 2013 and After TimeMaster Lawn Mower	127-6818
Engine Maintenance Kit.....	130-8146
Replacement Blade Kit	20120P
Mower Cover	490-7461

Notes:

Notes:



Count on it.