



**Count on it.**

**Parts Catalog**

**TimeMaster 30in**

**Lawn Mower**

Model No. 20199—Serial No. 314000001 and Up



# Ordering Replacement Parts

To order replacement parts, please supply the part number, the quantity, and the description of each part desired.

## Understanding Reference Numbers

Each identified part in an illustration has a reference number. The reference number for a part also appears in the parts list, along with other information about the part.

This catalog uses two special reference number formats, one to indicate parts in a service assembly and another to indicate the quantity of a given part in an illustration.

## Service Assembly Reference Numbers

Parts in service assemblies have reference numbers in the form a:b. The a represents the reference number of the entire service assembly and the b represents a sequential number unique to each part within the service assembly.

For example, a wheel assembly might be identified by reference number 6, the tire by 6:1, the valve by 6:2, and the wheel by 6:3. When you order the assembly identified by reference number 6, you receive all parts identified by reference numbers 6:1, 6:2, and 6:3. However, you may also order any part individually. Reference numbers of this type appear in illustration and in parts lists.

## Reference Numbers Indicating Quantity

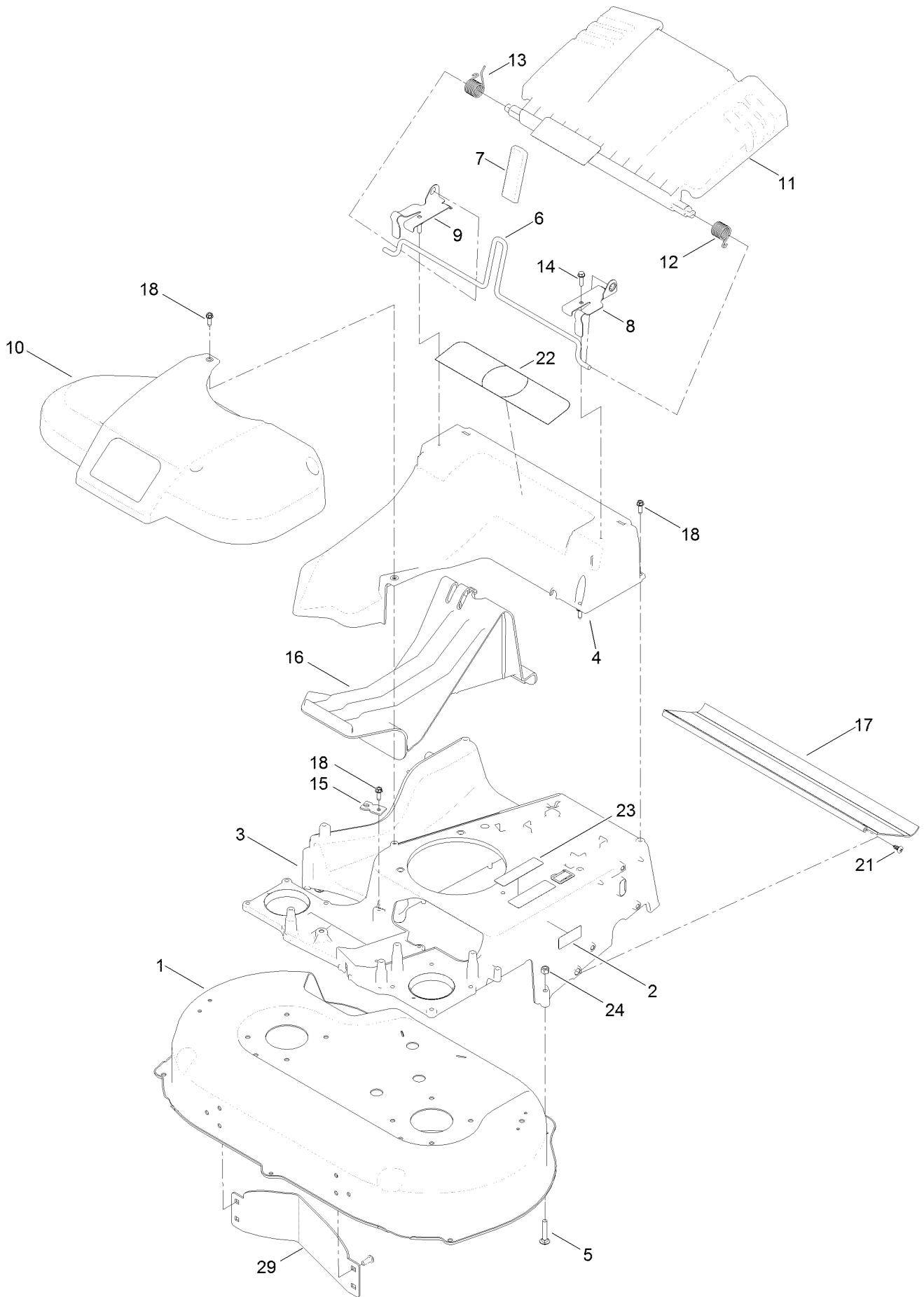
In an illustration, if a reference number indicates more than one part, the reference number has the form nX y. The n represents the quantity of the part, the X is the multiplication symbol, and the y represents the reference number.

For example, in an illustration, the reference number 2X 37 means that two of the parts identified by reference number 37 are indicated.

# Contents

- Deck and Frame Assembly . . . . . 4
- Belt, Spindle and Blade Assembly . . . . . 6
- Side Discharge Chute Assembly . . . . . 8
- Engine and Pulley Assembly . . . . . 10
- Front Wheel and Axle Assembly . . . . . 12
- Transmission, Rear Wheel and Height-of-Cut Assembly . . . . . 14
- Handle Assembly . . . . . 16
- Bag Assembly . . . . . 18
- Attachments and Accessories . . . . . 20

# Deck and Frame Assembly

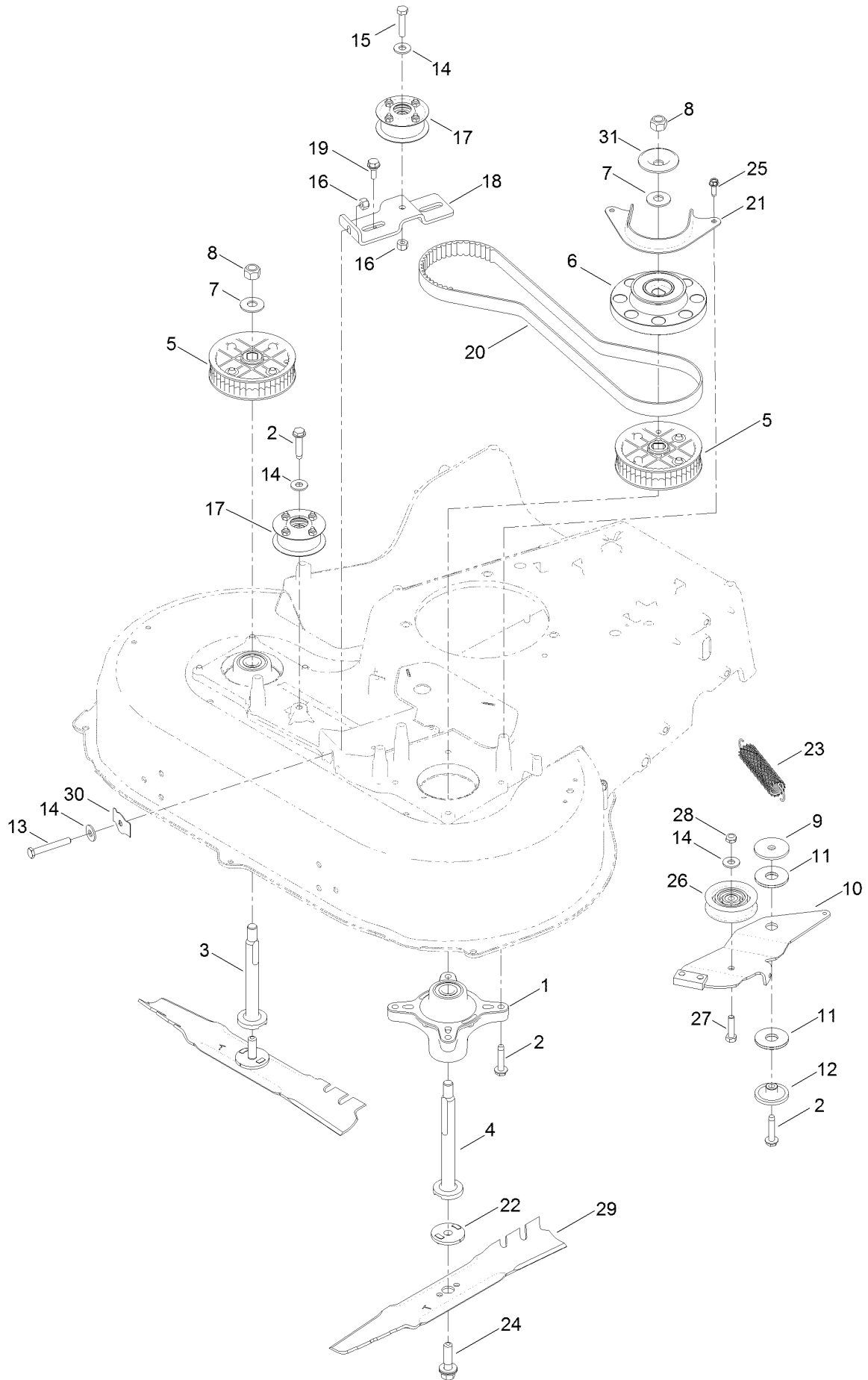


## Deck and Frame Assembly (continued)

<i>Ref.</i>	<i>Part Number</i>	<i>Qty.</i>	<i>Description</i>	<i>Ref.</i>	<i>Part Number</i>	<i>Qty.</i>	<i>Description</i>
1	125-5087	1	Housing ASM	13	114-7924	1	Spring-Torsion
2	121-5684	1	Decal-Location, Service Dealer	14	46-8091	2	Screw-HWH
3	121-9198-01	1	Frame	15	107-7497	1	Bracket-Cable, Traction
4	120-3336	1	Chute	16	120-5225	1	Plug-Mulch
5	3230-5	2	Screw-CARR	17	120-6241	1	Shield-Trailing
6	120-3344	1	Rod-Release, Handle	18	49-2040	9	Screw-HWHTF
7	120-7018	1	Grip-Lever	21	117-1092	2	Screw-PTH
8	121-9114	1	Bracket-Door, LH	22	121-2398	1	Decal-Position, Handle
9	121-9115	1	Bracket-Door, RH	23	117-2718	1	Decal-Arrester, Spark
10	120-7049	1	Belt Cover ASM	24	3296-29	2	Nut-Lock, NI
11	120-7048	1	Rear Deflector ASM	29	130-2352-01	1	Baffle-Control
12	115-2859	1	Spring-Torsion	99	125-5072	1	Frame Plate Kit ●

● Not illustrated

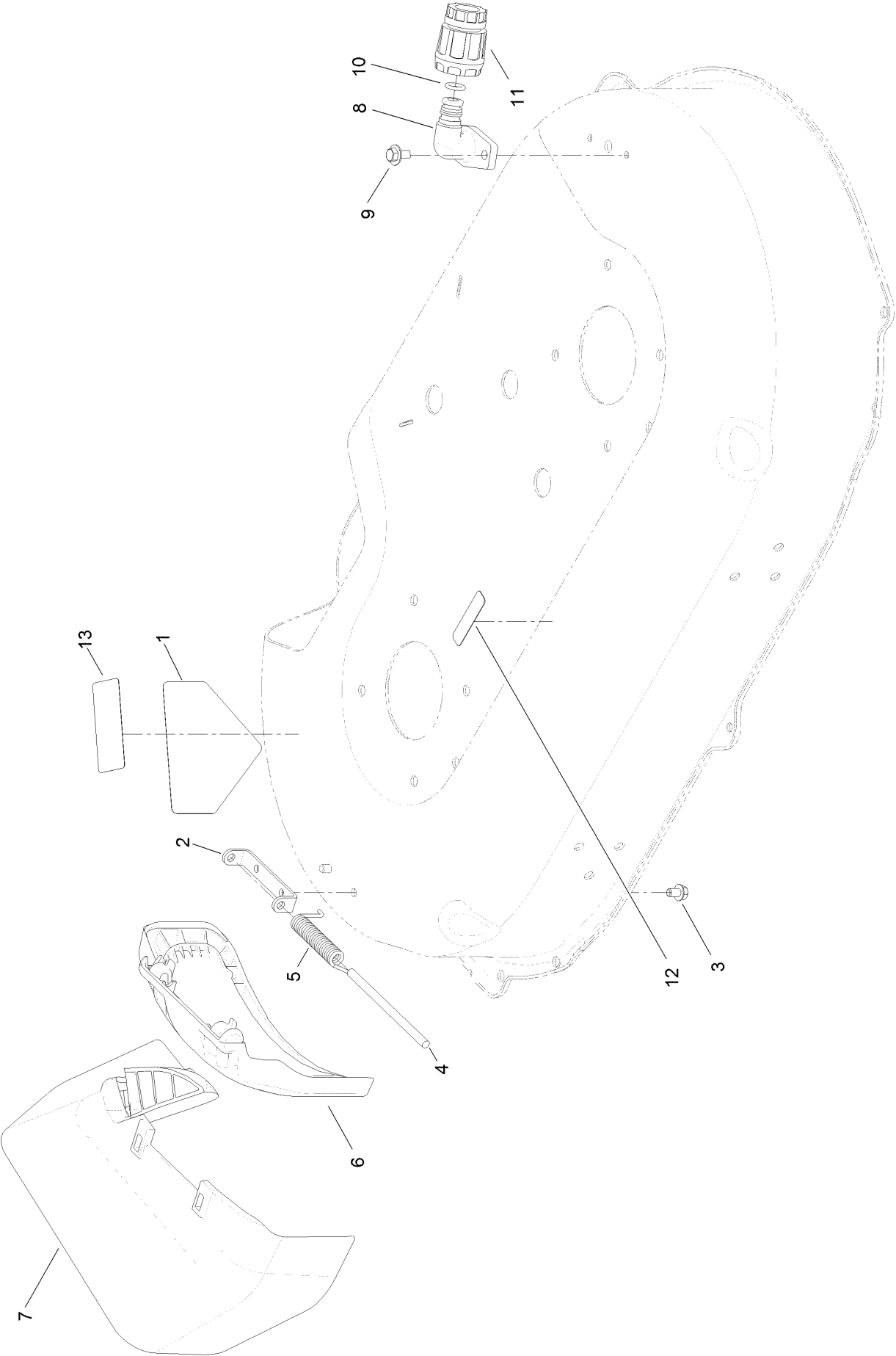
# Belt, Spindle and Blade Assembly



## Belt, Spindle and Blade Assembly (continued)

<i>Ref.</i>	<i>Part Number</i>	<i>Qty.</i>	<i>Description</i>	<i>Ref.</i>	<i>Part Number</i>	<i>Qty.</i>	<i>Description</i>
1	121-9107	2	Spindle ASM	17	125-2532	2	Pulley ASM
2	32144-57	10	Screw	18	120-3348	1	Bracket-Idler
3	120-5234	1	Shaft-Spindle	19	120-7024	2	Screw-Shoulder, HHF
4	120-5235	1	Shaft-Spindle	20	120-3335	1	Belt-Synchronous
5	121-9100	2	Sprocket	21	120-5245-03	1	Guide-Belt, Spindle
6	120-3334	1	Pulley-Brake, Spindle	22	120-5236	2	Adapter-Blade
7	109-9505	2	Washer-Spring	23	121-5808	1	Spring-Extension, Brake
8	130-2384	2	Nut-Hex	24	125-2466	2	Bolt-Blade
9	63-7400	1	Washer-Rebound	25	49-2040	2	Screw-HWHTF
10	120-6242	1	Arm-Brake	26	120-7082	1	Pulley-Idler
11	121-2305	2	Washer-Friction, Composite	27	322-6	1	Screw-HH
12	120-9490	1	Spacer	28	3296-47	1	Nut-Lock, NI
13	9114524	1	Bolt-TAP, HH	29	116-6358-03	2	Blade-Rotary
14	3256-3	4	Washer-Flat	30	121-2336	1	Spring-Flat
15	322-7	1	Screw-HH	31	130-2364	1	Washer-Cup
16	3296-29	2	Nut-Lock, NI				

# Side Discharge Chute Assembly

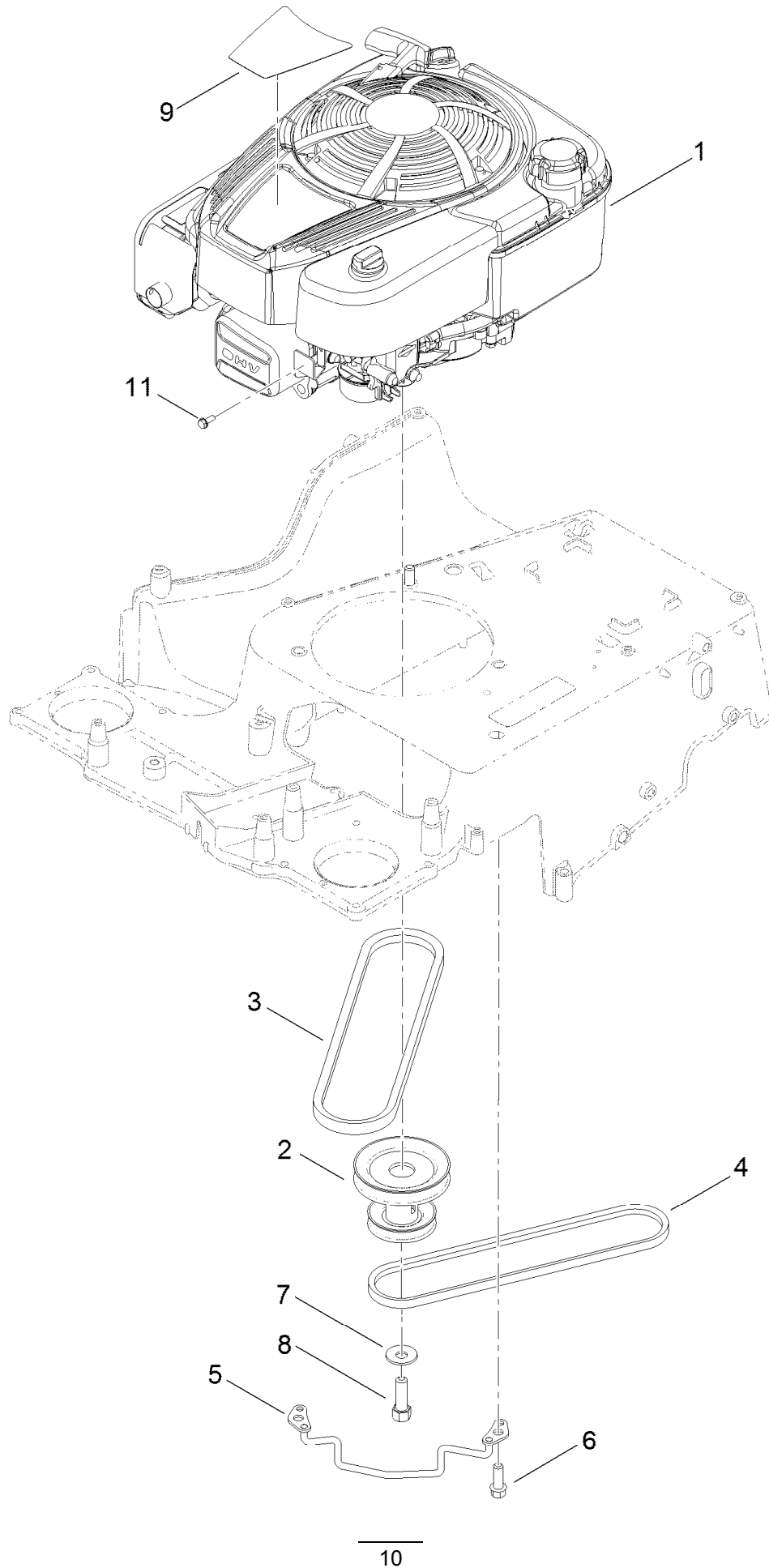




## Side Discharge Chute Assembly (continued)

<i>Ref.</i>	<i>Part Number</i>	<i>Qty.</i>	<i>Description</i>	<i>Ref.</i>	<i>Part Number</i>	<i>Qty.</i>	<i>Description</i>
1	94-8072	1	Decal-Danger	8	95-2747	1	Fitting-Washout
2	112-6416	1	Bracket-Cover	9	46-8560	2	Screw-HHFTF
3	99-8445	2	Screw-HWH	10	46-6290	1	O-Ring
4	99-5291	1	Rod-Cover	11	95-3270	1	Connector-Hose
5	127-0721	1	Spring-Torsion, Cover	12	120-9570	1	Decal-Warning
6	125-5091	1	Deflector-Side	13	125-5092	1	Decal-Placement, Foot
7	121-2319	1	Chute-Discharge, Side				

# Engine and Pulley Assembly



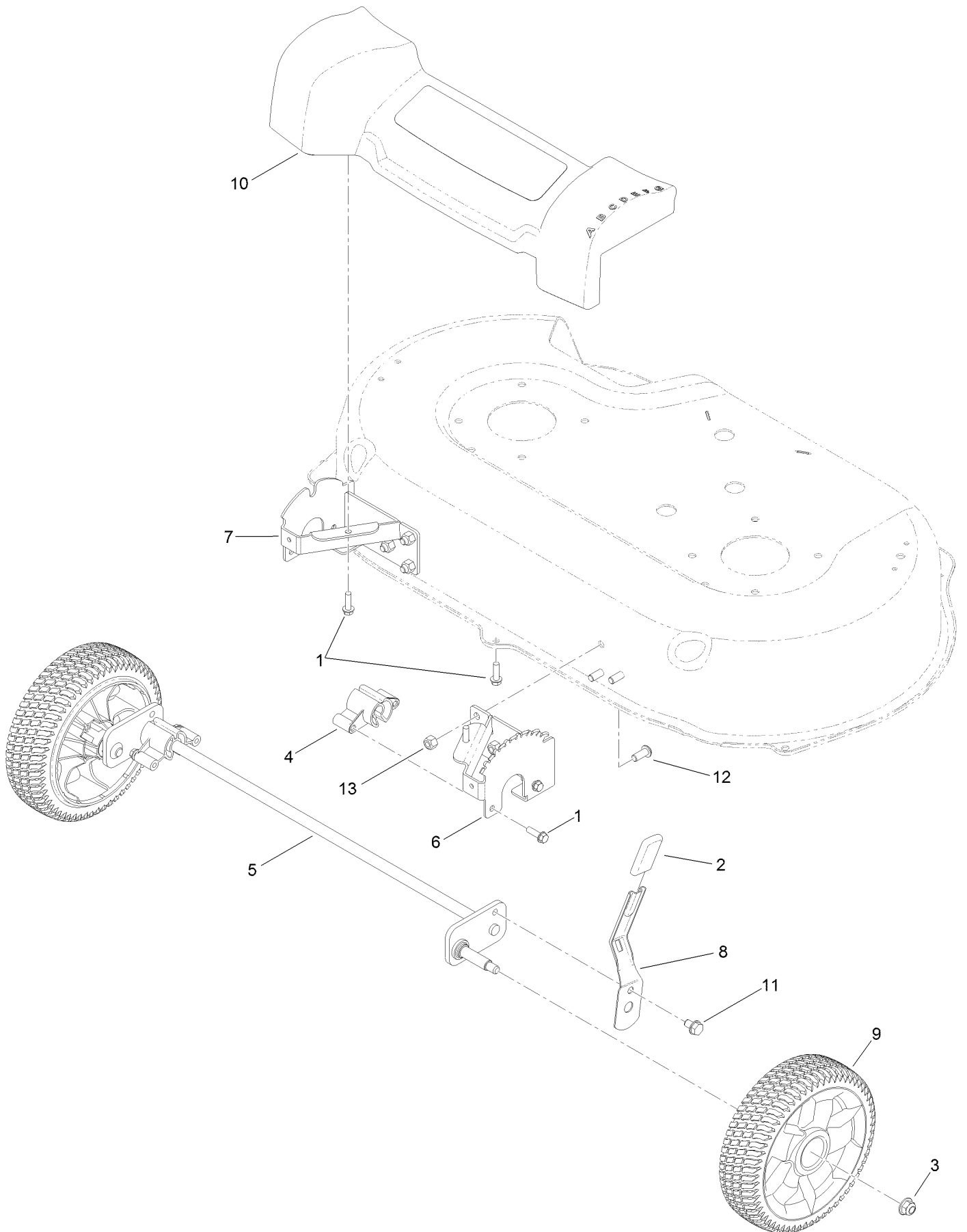
## Engine and Pulley Assembly (continued)

<i>Ref.</i>	<i>Part Number</i>	<i>Qty.</i>	<i>Description</i>	<i>Ref.</i>	<i>Part Number</i>	<i>Qty.</i>	<i>Description</i>
1		1	Engine-Briggs, 121S020130F1 ●■	6	95-1726	3	Screw-Taptite
2	120-3333	1	Pulley-Engine	7	3290-465	1	Washer-Belleville
3	121-5765	1	V-Belt	8	26-0671	1	Screw-HH
4	120-9470	1	V-Belt, Traction	9	121-2318	1	Decal-Shroud
5	120-7077	1	Guide-Belt	11	32144-1	1	Screw-Taptite

● Not serviced separately

■ Obtain parts from [www.briggsandstratton.com](http://www.briggsandstratton.com)

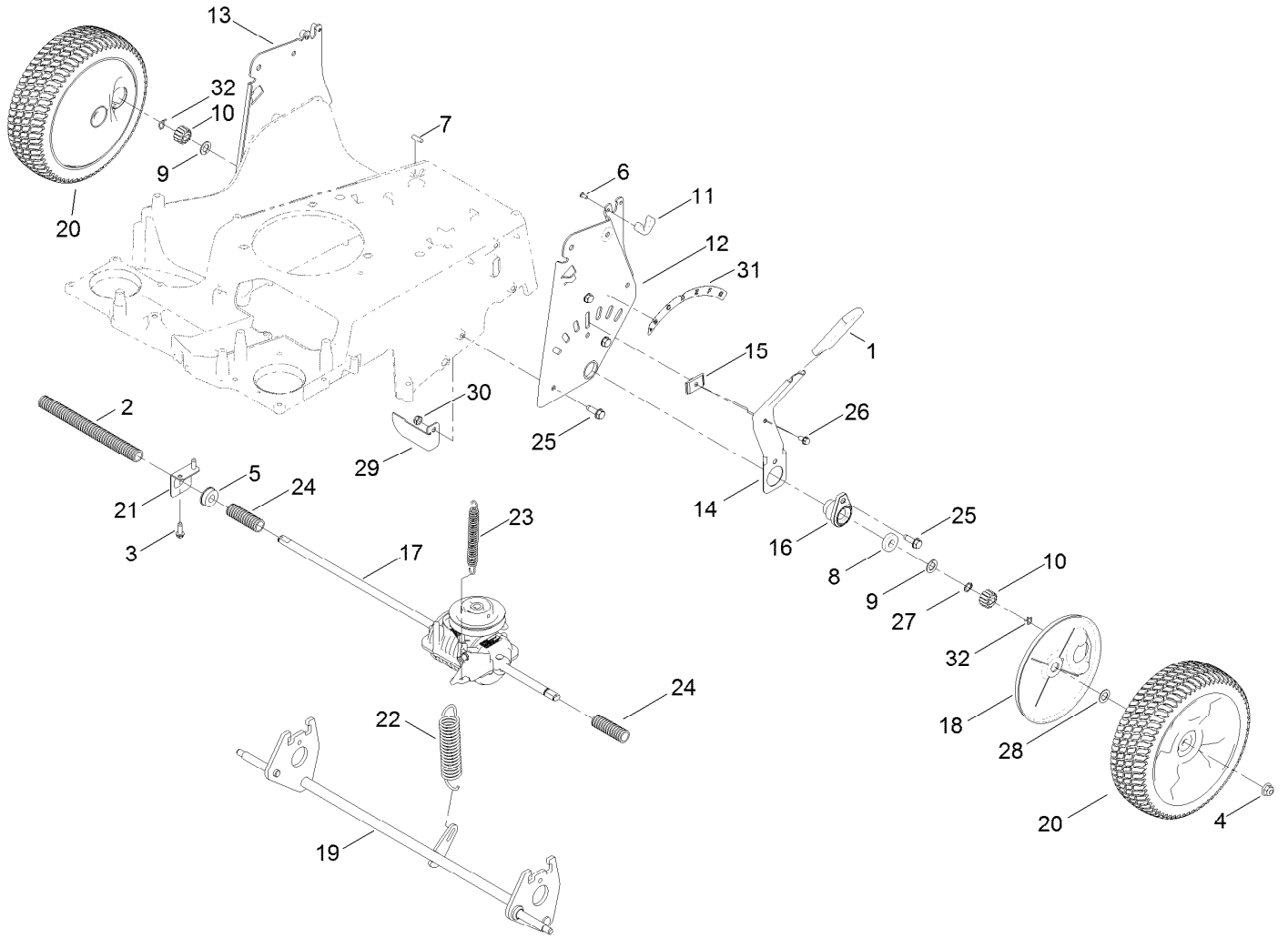
# Front Wheel and Axle Assembly



## Front Wheel and Axle Assembly (continued)

<i>Ref.</i>	<i>Part Number</i>	<i>Qty.</i>	<i>Description</i>	<i>Ref.</i>	<i>Part Number</i>	<i>Qty.</i>	<i>Description</i>
1	46-8091	7	Screw-HWH	8	120-7043	1	Arm-Spring
2	120-9535	1	Grip-Lever	9	125-2510	2	8 Inch Wheel ASM
3	104-8301	2	Nut-HF, NI	10	125-5027	1	Front Cover ASM
4	125-2495	2	Bushing-Pivot, Front	11	700057	1	Screw-HWH
5	125-5061	1	Axle-Front	12	3274-55	6	Screw-HSBH
6	120-7037-03	1	Plate-HOC, LH	13	3296-29	6	Nut-Lock, NI
7	120-7038-03	1	Plate-HOC, RH				

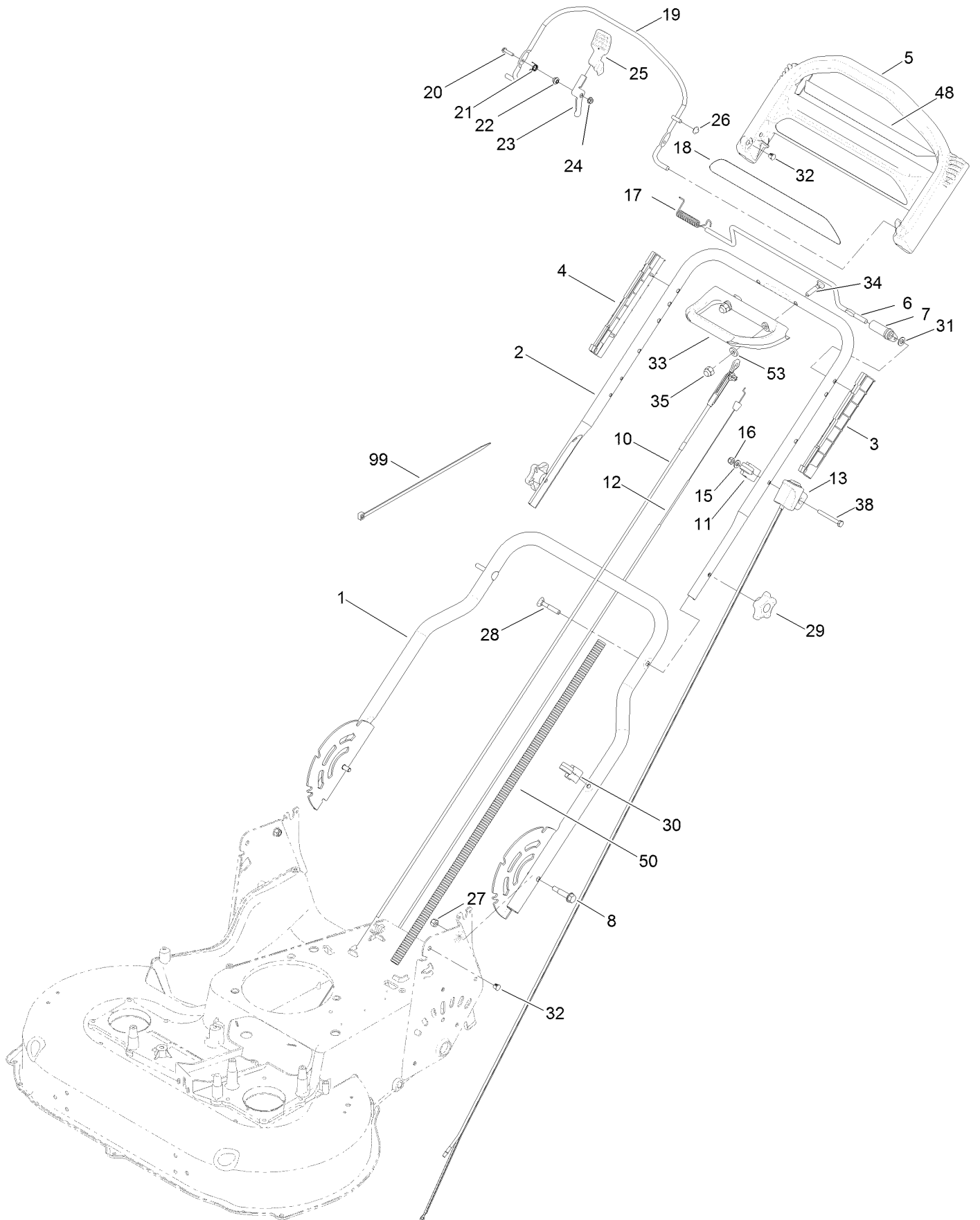
# Transmission, Rear Wheel and Height-of-Cut Assembly



## Transmission, Rear Wheel and Height-of-Cut Assembly (continued)

<i>Ref.</i>	<i>Part Number</i>	<i>Qty.</i>	<i>Description</i>	<i>Ref.</i>	<i>Part Number</i>	<i>Qty.</i>	<i>Description</i>
1	1-633295	1	Grip-Lever, Lift	17	130-2388	1	Transmission-Mv502
2	121-5799	1	Conduit-Convoluted	18	120-6233	2	Cover-Gear
3	49-2040	2	Screw-HWHTF	19	125-5062	1	Axle-Rear
4	104-8301	2	Nut-HF, NI	20	125-2509	2	10 Inch Wheel Gear ASM
5	104-8699	1	Bearing-Ball	21	120-7008	1	Mount-Bearing
6	105-9437	2	Screw-PPH	22	120-7026	1	Spring-Extension
7	106-5681	1	Pin-Stop	23	120-7027	1	Spring-Extension
8	109-8020	2	Bearing-Ball	24	121-5800	2	Conduit-Convoluted
9	110-7191	2	Washer-Thrust	25	701243	8	Screw-HWHTF
10	110-9417	2	Gear-Pinion, 15T	26	32144-4	1	Screw-HWH
11	115-8406	2	Anchor-Bag	27	32151-61	1	Ring-Retaining
12	120-3342-03	1	Plate-HOC, LH	28	36-4780	2	Washer-Plain
13	120-3343-03	1	Plate-HOC, RH	29	121-5821	1	Bracket-Stop
14	120-5208	1	Arm-Spring, Rear	30	3296-47	1	Nut-Lock, NI
15	120-5209	1	Key-Springarm	31	125-2497	1	Decal-HOC, Rear
16	120-5210	2	Retainer-Bearing	32	130-2369	2	Pin-Snap

# Handle Assembly

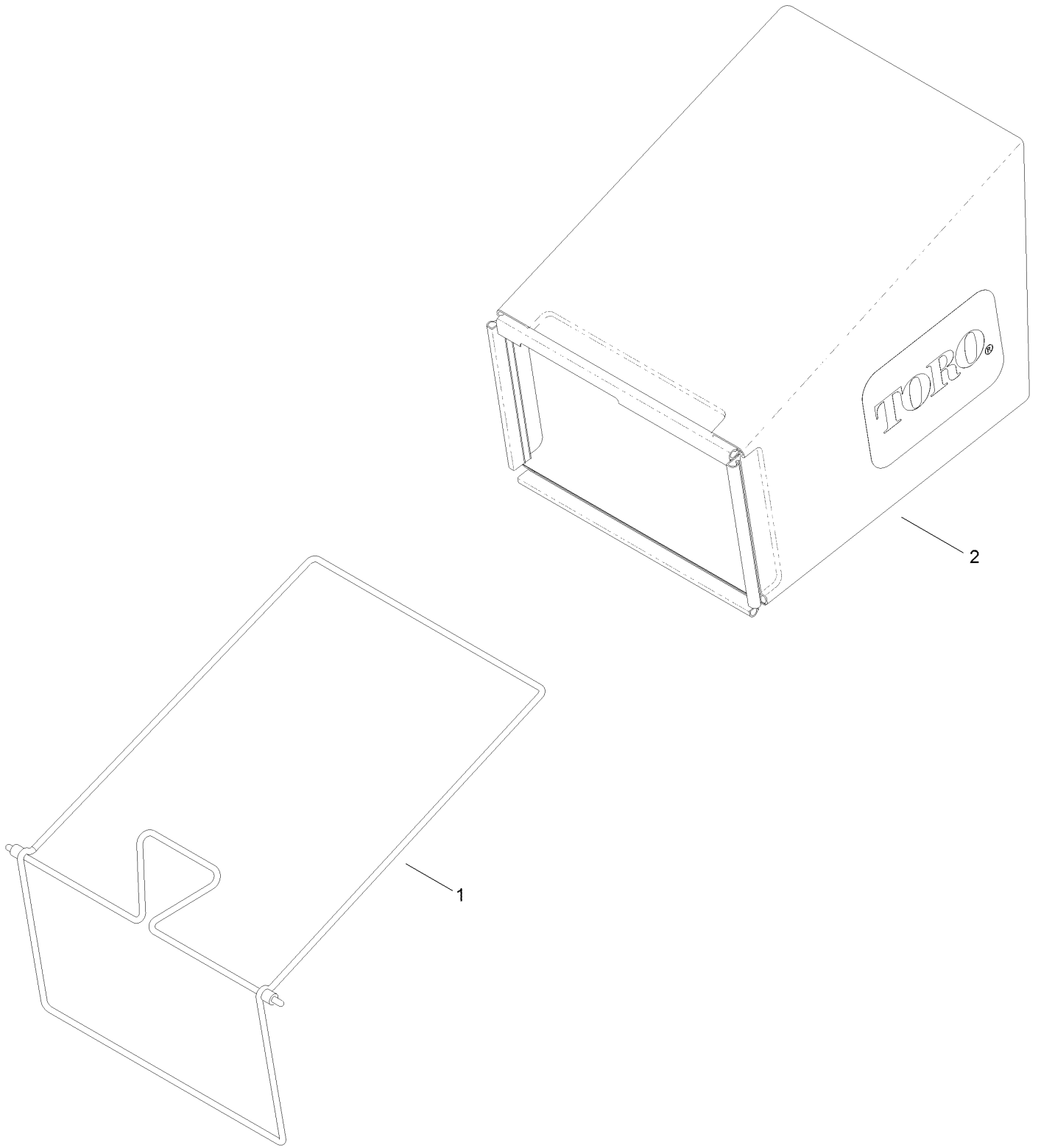




## Handle Assembly (continued)

<i>Ref.</i>	<i>Part Number</i>	<i>Qty.</i>	<i>Description</i>	<i>Ref.</i>	<i>Part Number</i>	<i>Qty.</i>	<i>Description</i>
1	120-5204-05	1	Handle-Lower	22	107-7463	1	Spacer
2	121-5783-05	1	Handle-Upper	23	106-6802	1	Lever
3	105-6842	1	Guide-LH	24	32128-17	1	Nut-Lock, Flange
4	105-6841	1	Guide-RH	25	112-8884	1	Knob
5	104-8678	1	Handle-Control	26	3290-337	1	Nut-Speed
6	99-1588	1	Bar-Control, Traction	27	3296-29	2	Nut-Lock, NI
7	99-1589	1	Lever-Traction	28	92-2260	2	Screw-Handle
8	120-7025	2	Bolt-Shoulder, HHF	29	117-5976	2	Knob-Handle
10	120-6243	1	Cable-Brake, BBC	30	114-7988	1	Guide-Cable
11	99-5239	1	Anchor-Cable	31	3256-23	1	Washer-Plain
12	127-6867	1	Cable-Traction	32	104-9368	3	Plug-Dome
13	117-5975	1	Switch Housing ASM	33	120-7087	1	Handle-Assist, Traction
15	3256-1	1	Washer-Flat	34	92-4095	2	Screw-Handle
16	3296-73	1	Nut-Lock, NI	35	125-5028	2	Nut-Hex, Nylon Cap
17	121-9118	1	Spring-Torsion	38	321-50	1	Screw-HH
18	117-1019	1	Decal	48	121-2399	1	Decal-Assist, Traction
19	108-3788-03	1	Bail-Brake	50	121-5801	1	Conduit-Convolved
20	106-9169	1	Screw-HWH	53	71-9320	2	Spacer
21	107-7462	1	Spring-Torsion	99	614249	2	Tie-Cable

# Bag Assembly



## Bag Assembly (continued)

<i>Ref.</i>	<i>Part Number</i>	<i>Qty.</i>	<i>Description</i>
1	121-5766-03	1	Frame-Bag
2	121-5770	1	Bag-Grass

# Attachments and Accessories

## For 20199 TimeMaster 30in Lawn Mower

<b>Product Name</b>	<b>Model/Part</b>
Engine Maintenance Kit.....	130-8146
Replacement Blade Kit .....	20120P
Mower Cover .....	490-7461

**Notes:**

**Notes:**

**Notes:**



**Count on it.**