



**Count on it.**

**Parts Catalog**

**TimeMaster 30in**

**Lawn Mower**

Model No. 20200—Serial No. 314200001 and Up



# Ordering Replacement Parts

To order replacement parts, please supply the part number, the quantity, and the description of each part desired.

## Understanding Reference Numbers

Each identified part in an illustration has a reference number. The reference number for a part also appears in the parts list, along with other information about the part.

This catalog uses two special reference number formats, one to indicate parts in a service assembly and another to indicate the quantity of a given part in an illustration.

## Service Assembly Reference Numbers

Parts in service assemblies have reference numbers in the form a:b. The a represents the reference number of the entire service assembly and the b represents a sequential number unique to each part within the service assembly.

For example, a wheel assembly might be identified by reference number 6, the tire by 6:1, the valve by 6:2, and the wheel by 6:3. When you order the assembly identified by reference number 6, you receive all parts identified by reference numbers 6:1, 6:2, and 6:3. However, you may also order any part individually. Reference numbers of this type appear in illustration and in parts lists.

## Reference Numbers Indicating Quantity

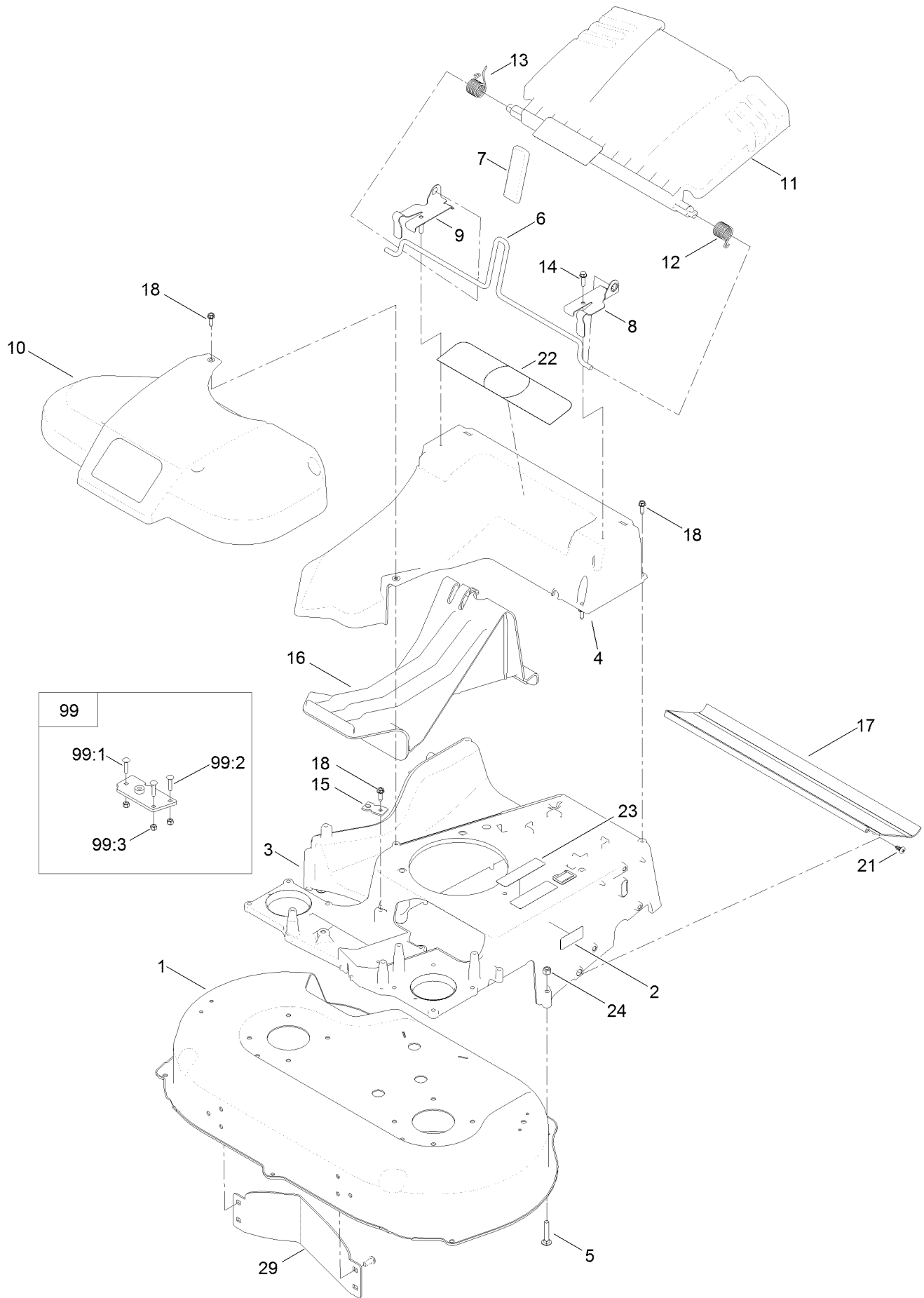
In an illustration, if a reference number indicates more than one part, the reference number has the form nX y. The n represents the quantity of the part, the X is the multiplication symbol, and the y represents the reference number.

For example, in an illustration, the reference number 2X 37 means that two of the parts identified by reference number 37 are indicated.

# Contents

Deck and Frame Assembly .....	4
Belt, Spindle and Blade Assembly .....	6
Side Discharge Chute Assembly .....	8
Bag Assembly .....	10
Engine and Pulley Assembly .....	12
Front Wheel and Axle Assembly .....	14
Transmission, Rear Wheel and Height-of-Cut Assembly .....	16
Handle Assembly .....	18
Attachments and Accessories .....	20

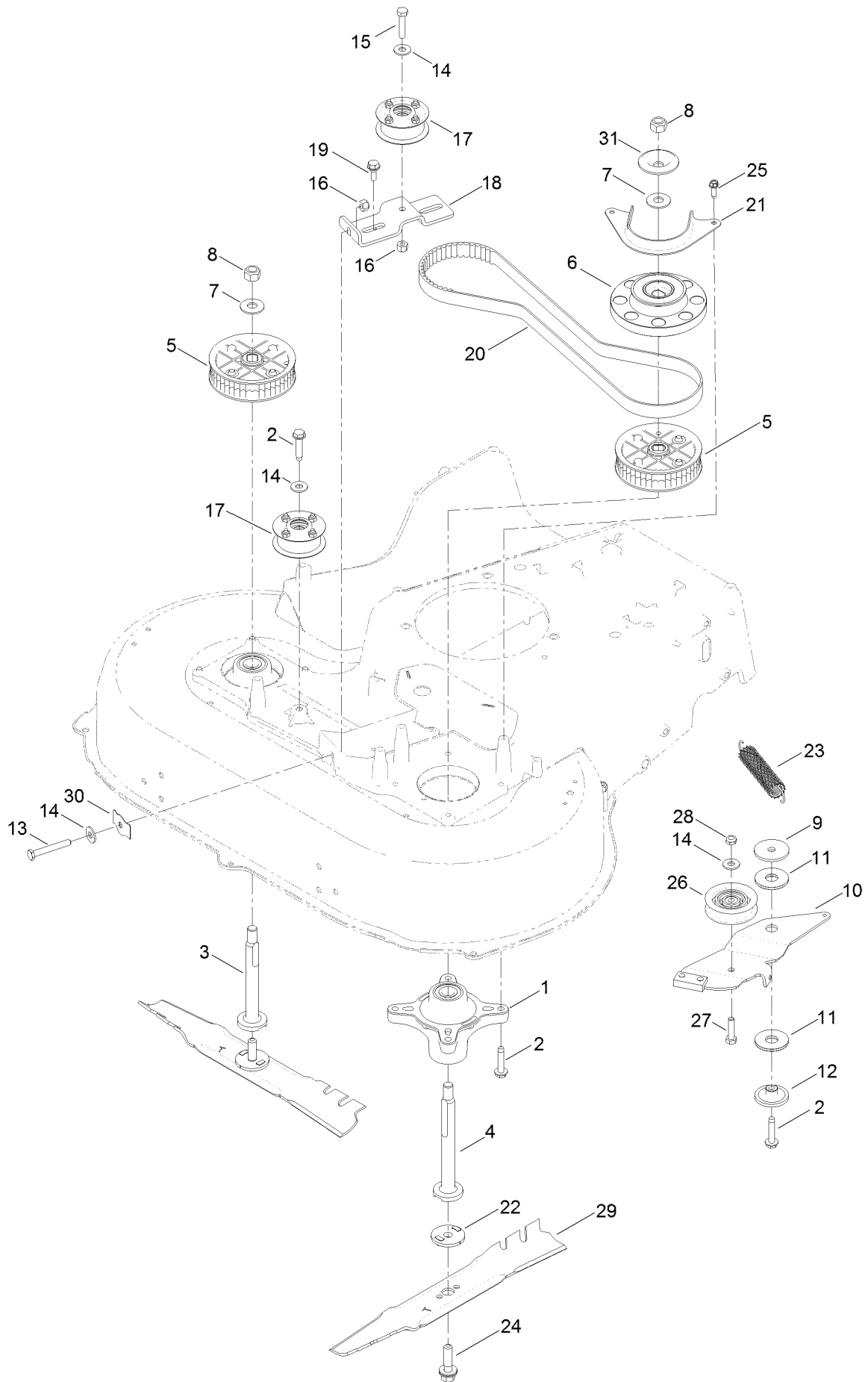
# Deck and Frame Assembly



## Deck and Frame Assembly (continued)

<i>Ref.</i>	<i>Part Number</i>	<i>Qty.</i>	<i>Description</i>	<i>Ref.</i>	<i>Part Number</i>	<i>Qty.</i>	<i>Description</i>
1	125-5087	1	Housing ASM	14	46-8091	2	Screw-HWH
2	121-5684	1	Decal-Location, Service Dealer	15	107-7497	1	Bracket-Cable, Traction
3	121-9198-01	1	Frame	16	120-5225	1	Plug-Mulch
4	120-3336	1	Chute	17	120-6241	1	Shield-Trailing
5	3230-5	2	Screw-CARR	18	49-2040	9	Screw-HWHTF
6	120-3344	1	Rod-Release, Handle	21	117-1092	2	Screw-PTH
7	120-7018	1	Grip-Lever	22	121-2398	1	Decal-Position, Handle
8	121-9114	1	Bracket-Door, LH	23	117-2718	1	Decal-Arrester, Spark
9	121-9115	1	Bracket-Door, RH	24	3296-29	2	Nut-Lock, NI
10	120-7049	1	Belt Cover ASM	29	130-2352-01	1	Baffle-Control
11	120-7048	1	Rear Deflector ASM	99	125-5072	1	Frame Plate Kit
12	115-2859	1	Spring-Torsion	99:1	125-2542	1	Plate-Frame
13	114-7924	1	Spring-Torsion	99:2	3229-3	3	Screw-CARR
				99:3	3296-42	3	Nut-Lock, NI

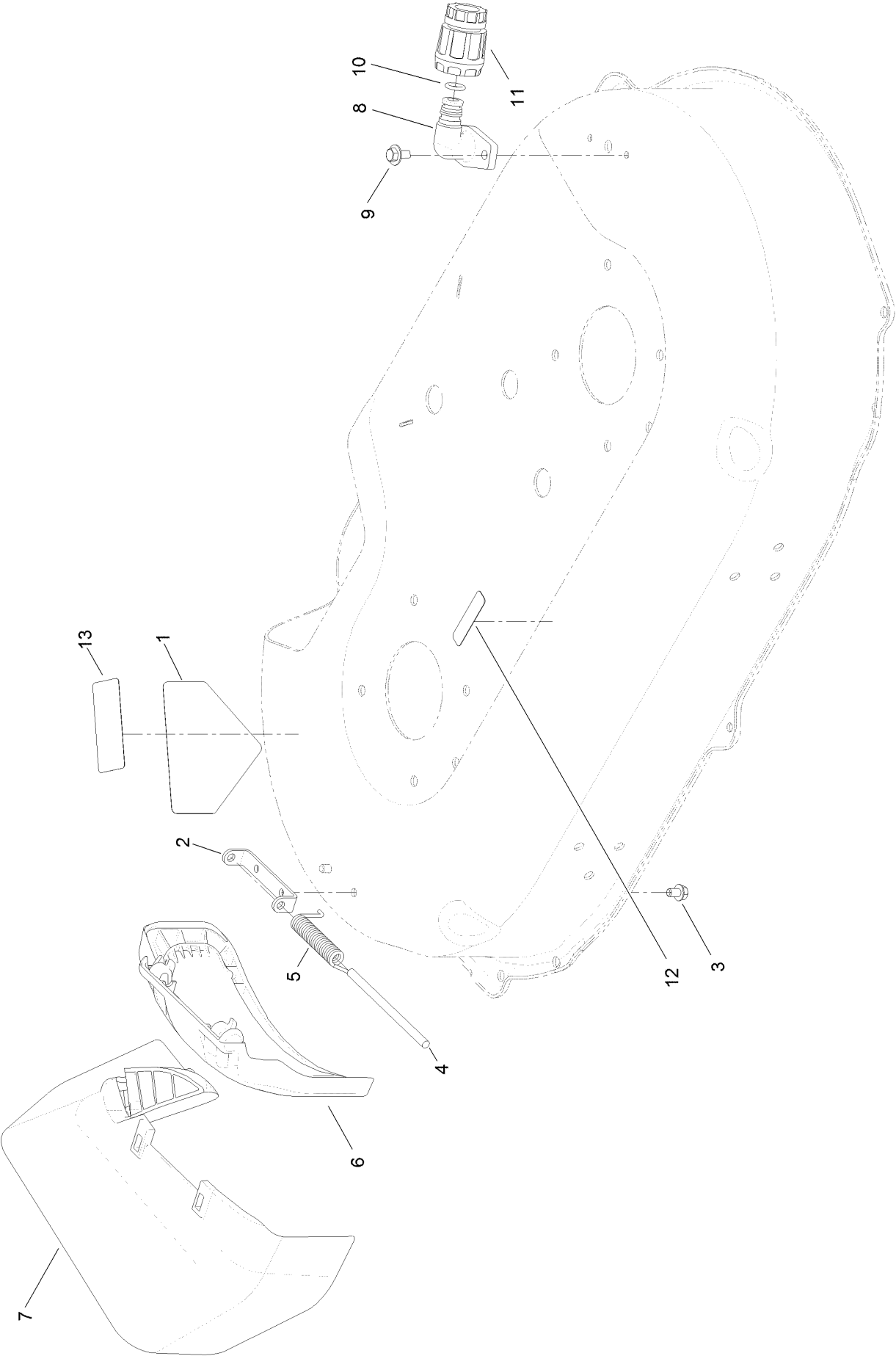
# Belt, Spindle and Blade Assembly



## Belt, Spindle and Blade Assembly (continued)

<i>Ref.</i>	<i>Part Number</i>	<i>Qty.</i>	<i>Description</i>	<i>Ref.</i>	<i>Part Number</i>	<i>Qty.</i>	<i>Description</i>
1	121-9107	2	Spindle ASM	17	125-2532	2	Pulley ASM
2	32144-57	10	Screw	18	120-3348	1	Bracket-Idler
3	120-5234	1	Shaft-Spindle	19	120-7024	2	Screw-Shoulder, HHF
4	120-5235	1	Shaft-Spindle	20	120-3335	1	Belt-Synchronous
5	121-9100	2	Sprocket	21	120-5245-03	1	Guide-Belt, Spindle
6	120-3334	1	Pulley-Brake, Spindle	22	120-5236	2	Adapter-Blade
7	109-9505	2	Washer-Spring	23	121-5808	1	Spring-Extension, Brake
8	130-2384	2	Nut-Hex	24	125-2466	2	Bolt-Blade
9	63-7400	1	Washer-Rebound	25	49-2040	2	Screw-HWHTF
10	120-6242	1	Arm-Brake	26	120-7082	1	Pulley-Idler
11	121-2305	2	Washer-Friction, Composite	27	322-6	1	Screw-HH
12	120-9490	1	Spacer	28	3296-47	1	Nut-Lock, NI
13	9114524	1	Bolt-TAP, HH	29	116-6358-03	2	Blade-Rotary
14	3256-3	4	Washer-Flat	30	121-2336	1	Spring-Flat
15	322-7	1	Screw-HH	31	130-2364	1	Washer-Cup
16	3296-29	2	Nut-Lock, NI				

# Side Discharge Chute Assembly

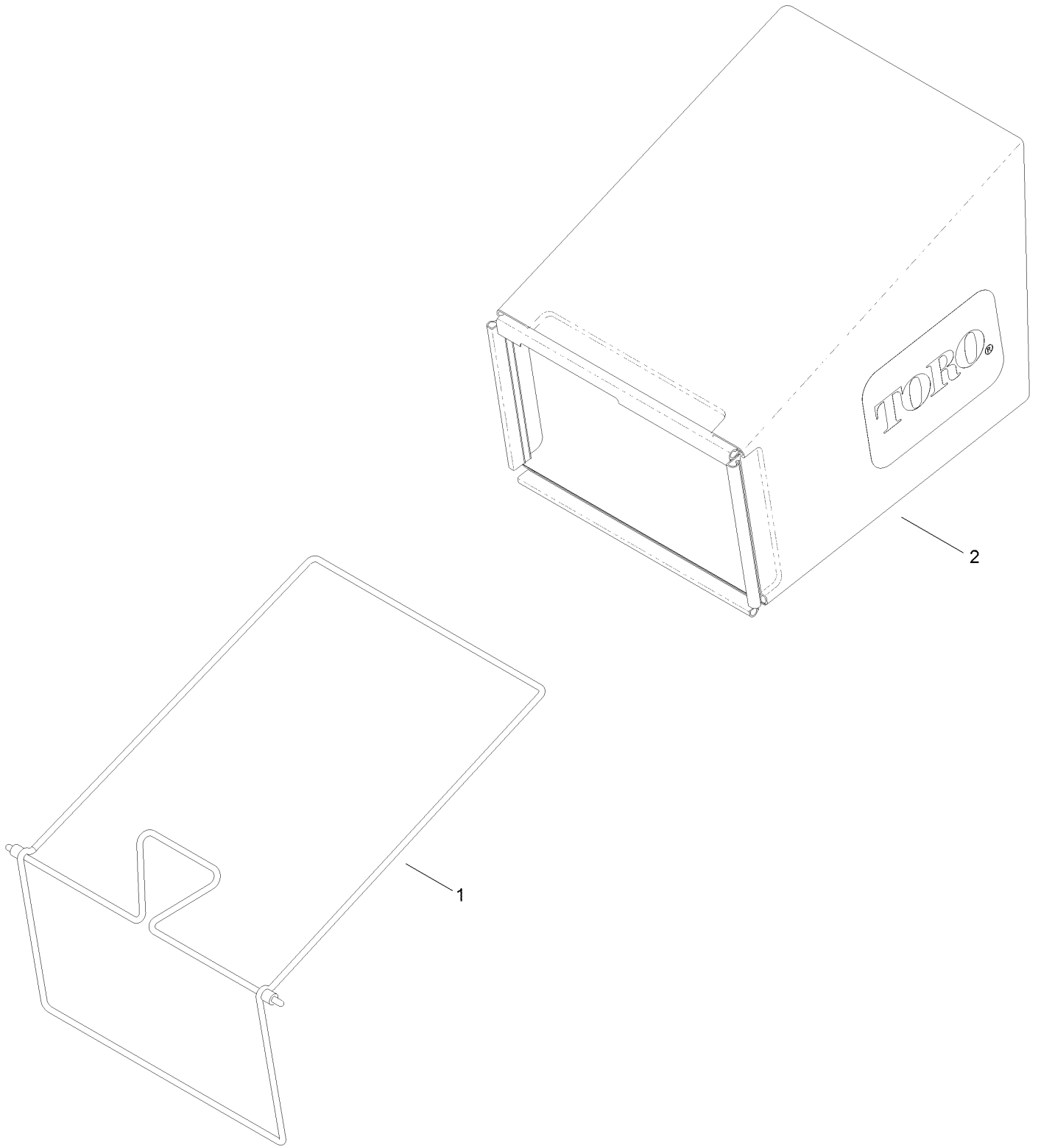




## Side Discharge Chute Assembly (continued)

<i>Ref.</i>	<i>Part Number</i>	<i>Qty.</i>	<i>Description</i>	<i>Ref.</i>	<i>Part Number</i>	<i>Qty.</i>	<i>Description</i>
1	94-8072	1	Decal-Danger	8	95-2747	1	Fitting-Washout
2	112-6416	1	Bracket-Cover	9	46-8560	2	Screw-HHFTF
3	99-8445	2	Screw-HWH	10	46-6290	1	O-Ring
4	99-5291	1	Rod-Cover	11	95-3270	1	Connector-Hose
5	127-0721	1	Spring-Torsion, Cover	12	120-9570	1	Decal-Warning
6	125-5091	1	Deflector-Side	13	125-5092	1	Decal-Placement, Foot
7	121-2319	1	Chute-Discharge, Side				

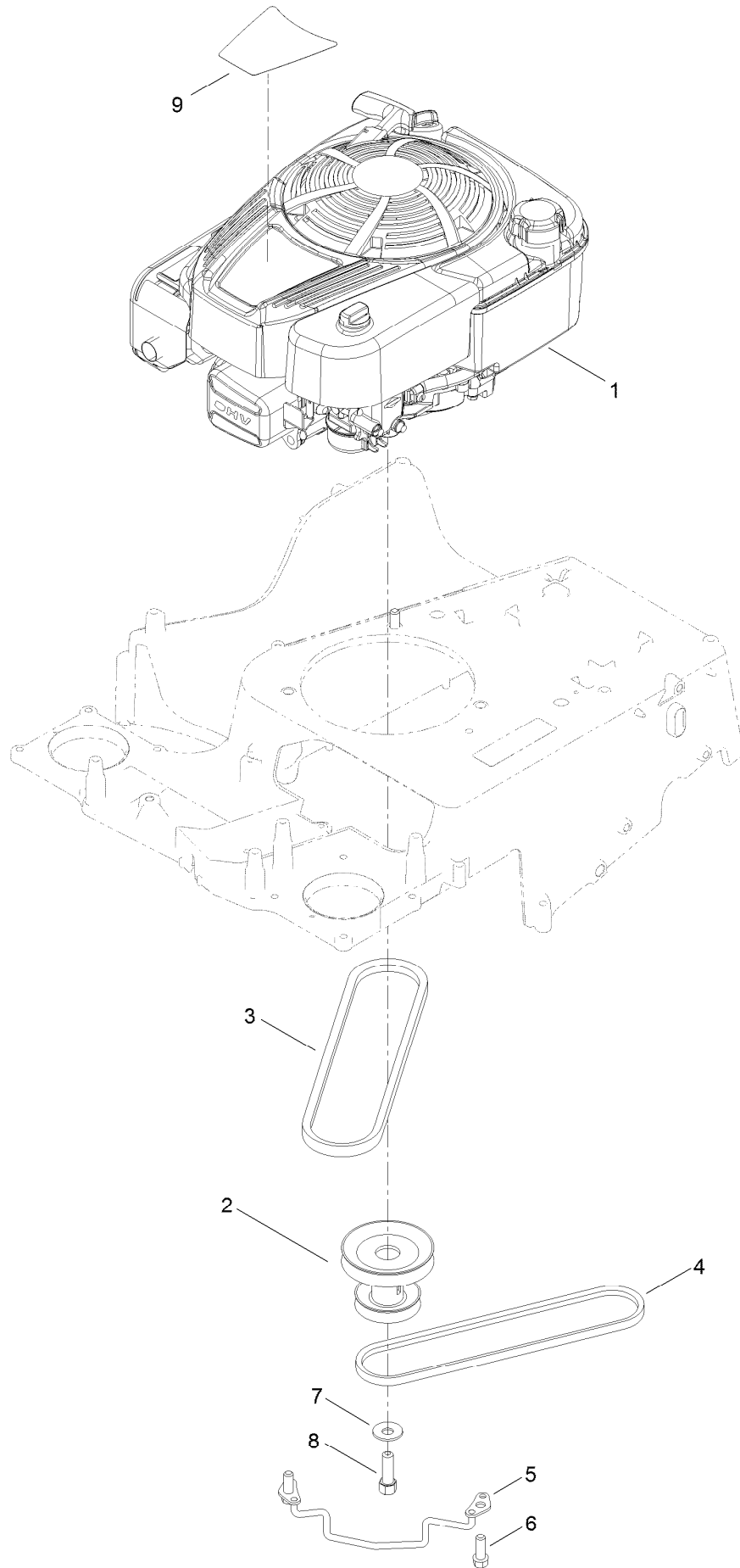
# Bag Assembly



## Bag Assembly (continued)

<i>Ref.</i>	<i>Part Number</i>	<i>Qty.</i>	<i>Description</i>
1	121-5766-03	1	Frame-Bag
2	121-5770	1	Bag-Grass

# Engine and Pulley Assembly



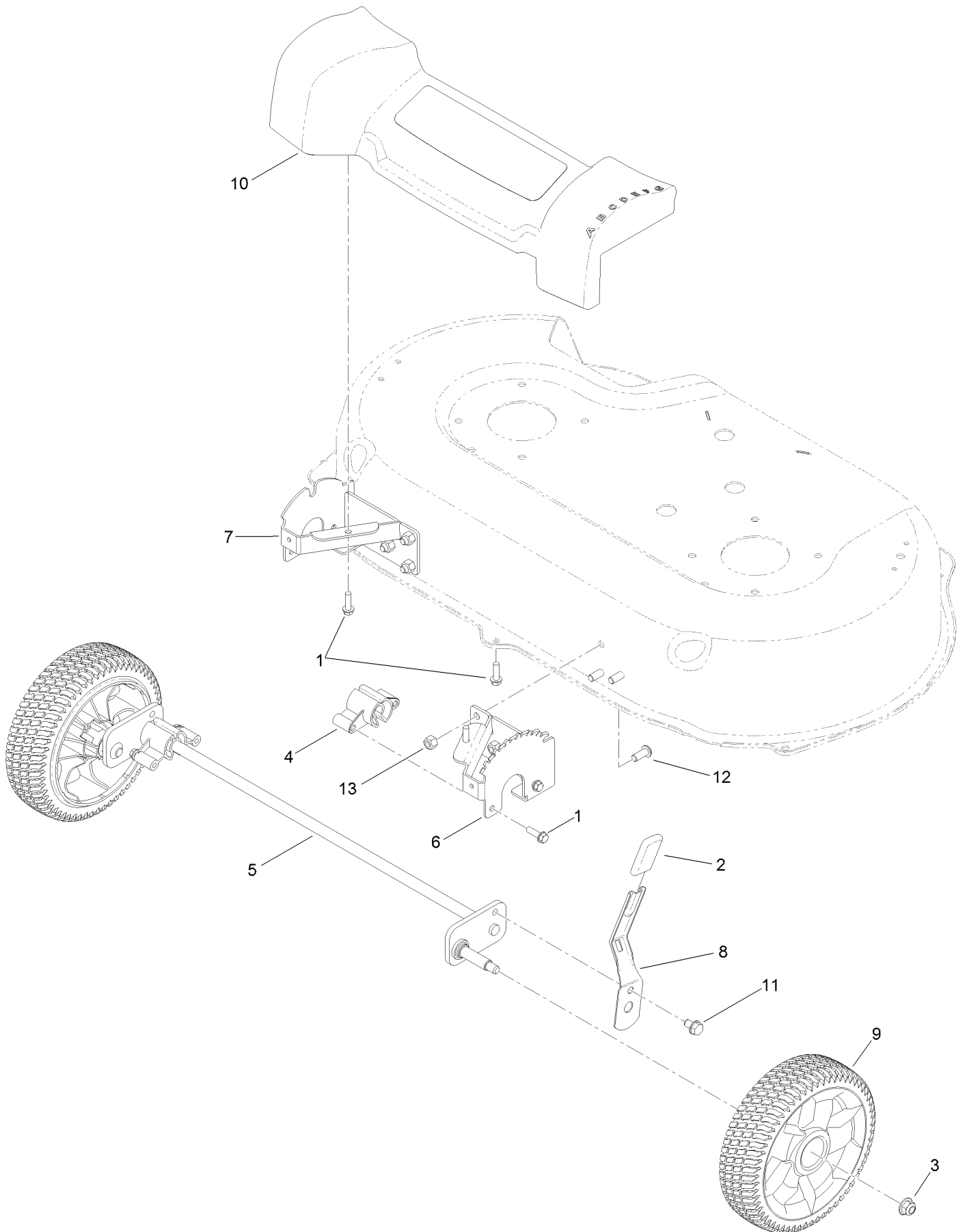
## Engine and Pulley Assembly (continued)

<i>Ref.</i>	<i>Part Number</i>	<i>Qty.</i>	<i>Description</i>	<i>Ref.</i>	<i>Part Number</i>	<i>Qty.</i>	<i>Description</i>
1		1	Engine-Briggs, 121S170127F1 ●■	5	120-7077	1	Guide-Belt
2	120-3333	1	Pulley-Engine	6	95-1726	3	Screw-Taptite
3	121-5765	1	V-Belt	7	3290-465	1	Washer-Belleville
4	120-9470	1	V-Belt, Traction	8	26-0671	1	Screw-HH
				9	130-2358	1	Decal-Shroud

● Not serviced separately

■ Obtain parts from [www.briggsandstratton.com](http://www.briggsandstratton.com)

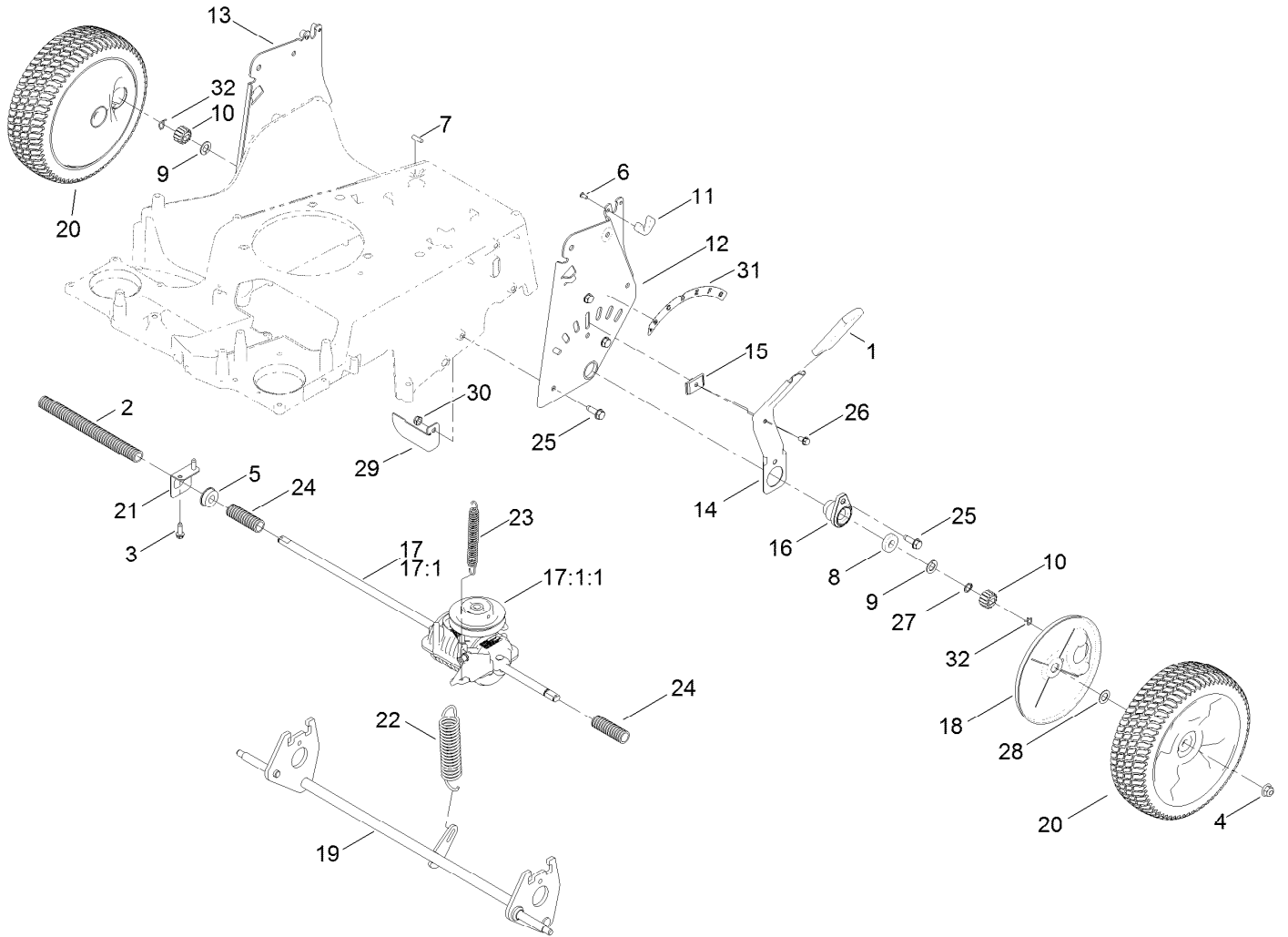
# Front Wheel and Axle Assembly



## Front Wheel and Axle Assembly (continued)

<i>Ref.</i>	<i>Part Number</i>	<i>Qty.</i>	<i>Description</i>	<i>Ref.</i>	<i>Part Number</i>	<i>Qty.</i>	<i>Description</i>
1	46-8091	7	Screw-HWH	8	120-7043	1	Arm-Spring
2	120-9535	1	Grip-Lever	9	125-2510	2	8 Inch Wheel ASM
3	104-8301	2	Nut-HF, NI	10	125-5027	1	Front Cover ASM
4	125-2495	2	Bushing-Pivot, Front	11	700057	1	Screw-HWH
5	125-5061	1	Axle-Front	12	3274-55	6	Screw-HSBH
6	120-7037-03	1	Plate-HOC, LH	13	3296-29	6	Nut-Lock, NI
7	120-7038-03	1	Plate-HOC, RH				

# Transmission, Rear Wheel and Height-of-Cut Assembly



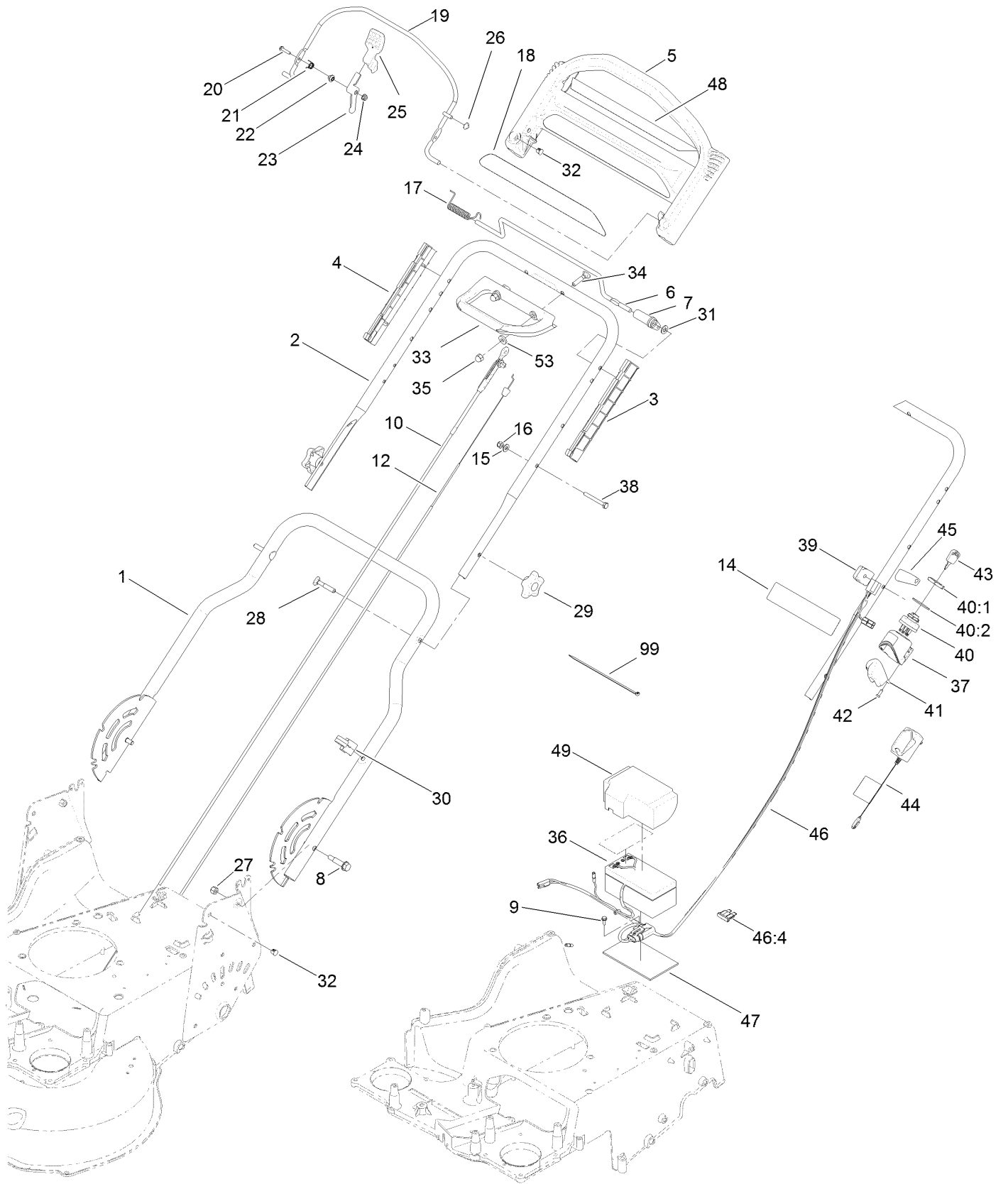


## Transmission, Rear Wheel and Height-of-Cut Asseembly (continued)

<i>Ref.</i>	<i>Part Number</i>	<i>Qty.</i>	<i>Description</i>	<i>Ref.</i>	<i>Part Number</i>	<i>Qty.</i>	<i>Description</i>
1	1-633295	1	Grip-Lever, Lift	17:1		1	Transmission-Mv502 ●
2	121-5799	1	Conduit-Convolved	17:1:1	130-2370	1	Transmission Pulley Kit
3	49-2040	2	Screw-HWHTF	18	120-6233	2	Cover-Gear
4	104-8301	2	Nut-HF, NI	19	125-5062	1	Axle-Rear
5	104-8699	1	Bearing-Ball	20	125-2509	2	10 Inch Wheel Gear ASM
6	105-9437	2	Screw-PPH	21	120-7008	1	Mount-Bearing
7	106-5681	1	Pin-Stop	22	120-7026	1	Spring-Extension
8	109-8020	2	Bearing-Ball	23	120-7027	1	Spring-Extension
9	110-7191	2	Washer-Thrust	24	121-5800	2	Conduit-Convolved
10	110-9417	2	Gear-Pinion, 15T	25	701243	8	Screw-HWHTF
11	115-8406	2	Anchor-Bag	26	32144-4	1	Screw-HWH
12	120-3342-03	1	Plate-HOC, LH	27	32151-61	1	Ring-Retaining
13	120-3343-03	1	Plate-HOC, RH	28	36-4780	2	Washer-Plain
14	120-5208	1	Arm-Spring, Rear	29	121-5821	1	Bracket-Stop
15	120-5209	1	Key-Springarm	30	3296-47	1	Nut-Lock, NI
16	120-5210	2	Retainer-Bearing	31	125-2497	1	Decal-HOC, Rear
17	130-6670	1	Transmission Kit	32	130-2369	2	Pin-Snap

● Not serviced separately

# Handle Assembly



## Handle Assembly (continued)

<i>Ref.</i>	<i>Part Number</i>	<i>Qty.</i>	<i>Description</i>	<i>Ref.</i>	<i>Part Number</i>	<i>Qty.</i>	<i>Description</i>
1	120-5204-05	1	Handle-Lower	29	117-5976	2	Knob-Handle
2	121-5783-05	1	Handle-Upper	30	114-7988	1	Guide-Cable
3	105-6842	1	Guide-LH	31	3256-23	1	Washer-Plain
4	105-6841	1	Guide-RH	32	104-9368	3	Plug-Dome
5	104-8678	1	Handle-Control	33	120-7087	1	Handle-Assist, Traction
6	99-1588	1	Bar-Control, Traction	34	130-2356	2	Screw-Handle, Lock
7	99-1589	1	Lever-Traction	35	130-2341	2	Nut-Acorn
8	120-7025	2	Bolt-Shoulder, HHF	36	106-8397	1	Battery-Wet
9	32144-1	1	Screw-Taptite	37	108-3795	1	Housing-Switch, Key
10	120-6243	1	Cable-Brake, BBC	38	321-50	1	Screw-HH
12	127-6867	1	Cable-Traction	39	92-7729	1	Anchor-Cable, Upper
14	104-7953	1	Decal-Warning	40	23-0660	1	Switch-Starter
15	3256-1	1	Washer-Flat	40:1	218-461	1	Nut-HH
16	3296-73	1	Nut-Lock, NI	40:2	3254-5	1	Washer-Tooth, Internal
17	121-9118	1	Spring-Torsion	41	108-3796	1	Cover-Swtch
18	117-1019	1	Decal	42	32144-111	2	Screw-PPH
19	108-3788-03	1	Bail-Brake	43	700918	1	Key
20	106-9169	1	Screw-HWH	44	114-1588	1	Charger-Battery
21	107-7462	1	Spring-Torsion	45	108-9751	1	Decal-Switch, Ignition
22	107-7463	1	Spacer	46	117-0070	1	Harness-Wire
23	106-6802	1	Lever	46:4	99-6124	1	Fuse-40 Amp
24	32128-17	1	Nut-Lock, Flange	47	108-0987	1	Foam-Battery
25	112-8884	1	Knob	48	121-2399	1	Decal-Assist, Traction
26	3290-337	1	Nut-Speed	49	120-3329	1	Cover-Battery
27	3296-29	2	Nut-Lock, NI	53	3256-23	2	Washer-Plain
28	92-2260	2	Screw-Handle	99	614249	2	Tie-Cable

# Attachments and Accessories

## For 20200 TimeMaster 30in Lawn Mower

Product Name	Model/Part
Engine Maintenance Kit.....	130-8146
Replacement Blade Kit .....	20120P
Mower Cover .....	490-7461

**Notes:**

**Notes:**

**Notes:**



**Count on it.**