



Rubber Flap Kit

GrandStand® Multi Force Mower Broom

Model No. 137-3920

Installation Instructions

▲ WARNING

CALIFORNIA Proposition 65 Warning

This product contains a chemical or chemicals known to the State of California to cause cancer, birth defects, or reproductive harm.

Installation

Preparing the Machine

1. Park the machine on a level surface.
2. Disengage the PTO, engage the parking brake, and move the motion-control levers outward to the NEUTRAL-LOCK position.
3. Shut off the engine and remove the key.
4. Lower the kickstands for the broom.

Installing the Flaps

Install the upper flap and backing plate to the hood of the broom using 8 bolts and 8 nuts (Figure 1). Torque the bolts to 10 to 14 N·m (90 to 100 in-lb).

Note: Ensure that the backing plate bends upward, toward the upper flap.

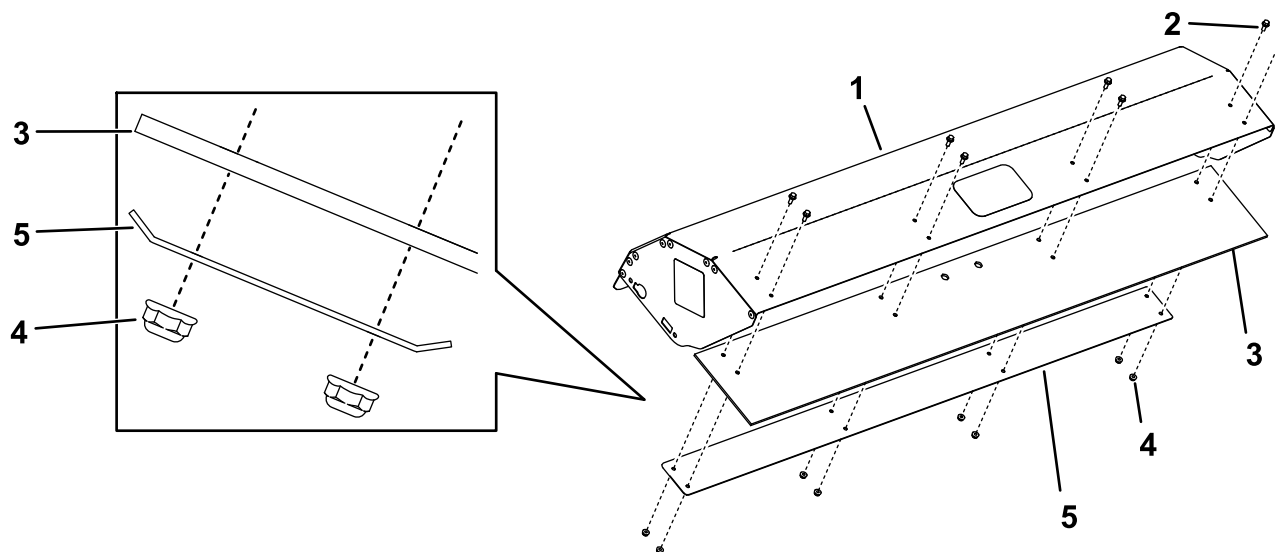


Figure 1

Bristles not shown

- | | |
|---------------|------------------|
| 1. Hood | 4. Nut (8) |
| 2. Bolt (8) | 5. Backing plate |
| 3. Upper flap | |

g220198

