



**Count on it.**

**Parts Catalog**

**22in Recycler®**

**Lawn Mower**

Model No. 20371—Serial No. 314200001 and Up



# Ordering Replacement Parts

To order replacement parts, please supply the part number, the quantity, and the description of each part desired.

## Understanding Reference Numbers

Each identified part in an illustration has a reference number. The reference number for a part also appears in the parts list, along with other information about the part.

This catalog uses two special reference number formats, one to indicate parts in a service assembly and another to indicate the quantity of a given part in an illustration.

## Service Assembly Reference Numbers

Parts in service assemblies have reference numbers in the form a:b. The a represents the reference number of the entire service assembly and the b represents a sequential number unique to each part within the service assembly.

For example, a wheel assembly might be identified by reference number 6, the tire by 6:1, the valve by 6:2, and the wheel by 6:3. When you order the assembly identified by reference number 6, you receive all parts identified by reference numbers 6:1, 6:2, and 6:3. However, you may also order any part individually. Reference numbers of this type appear in illustration and in parts lists.

## Reference Numbers Indicating Quantity

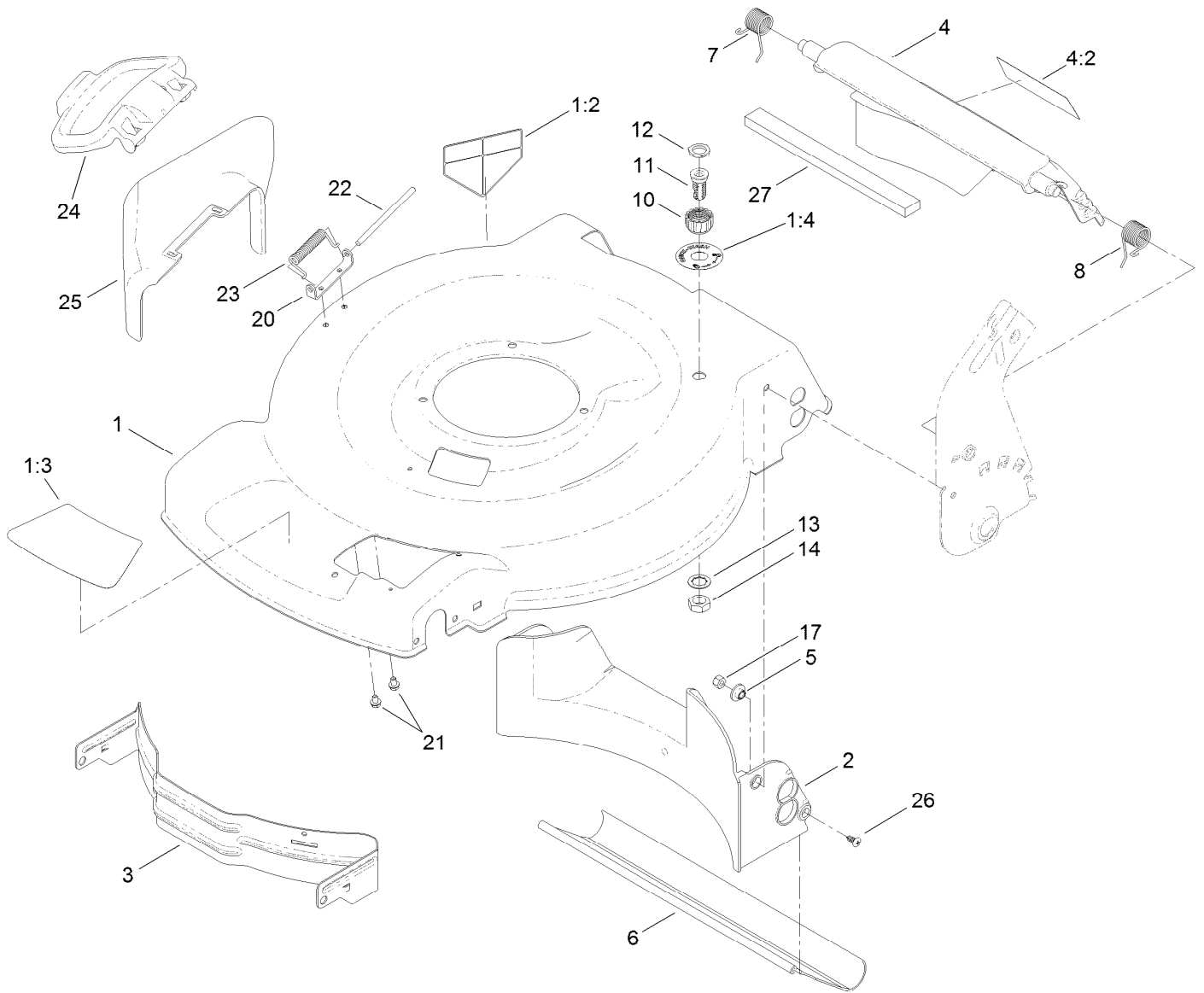
In an illustration, if a reference number indicates more than one part, the reference number has the form nX y. The n represents the quantity of the part, the X is the multiplication symbol, and the y represents the reference number.

For example, in an illustration, the reference number 2X 37 means that two of the parts identified by reference number 37 are indicated.

# Contents

|   |    |
|---|----|
| Housing and Rear Deflector Assembly .....         | 4  |
| Rear Bag Assembly .....                           | 6  |
| Engine and Blade Assembly .....                   | 8  |
| Transmission and Front Wheel Drive Assembly ..... | 10 |
| Height-of-Cut and Rear Wheel Assembly .....       | 12 |
| Handle Assembly .....                             | 14 |
| Attachments and Accessories .....                 | 16 |

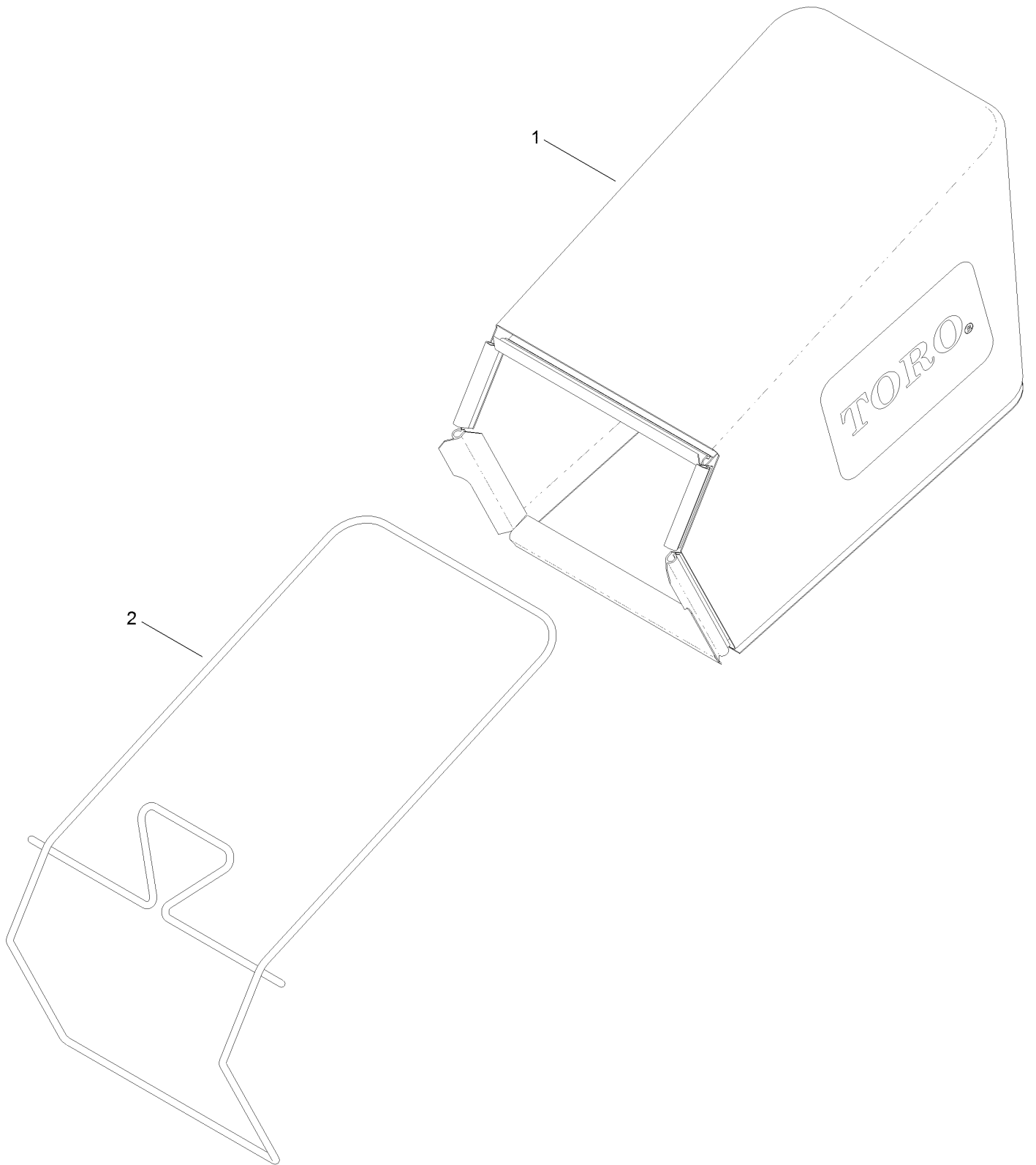
# Housing and Rear Deflector Assembly



## Housing and Rear Deflector Assembly (continued)

| <i>Ref.</i> | <i>Part Number</i> | <i>Qty.</i> | <i>Description</i>          | <i>Ref.</i> | <i>Part Number</i> | <i>Qty.</i> | <i>Description</i>        |
|-------------|--------------------|-------------|-----------------------------|-------------|--------------------|-------------|---------------------------|
| 1           | 117-1085           | 1           | Housing ASM                 | 11          | 112-6400           | 1           | Port-Washout              |
| 1:2         | 94-8072            | 1           | Decal-Danger                | 12          | 112-6438           | 1           | Washer-Seal, Washout Port |
| 1:3         | 115-4678           | 1           | Decal-Recycler              | 13          | 3254-5             | 1           | Washer-Tooth, Internal    |
| 1:4         | 112-8867           | 1           | Decal-Port, Washout         | 14          | 3218-6             | 1           | Nut-Jam                   |
| 2           | 120-5218           | 1           | Baffle-Rear                 | 17          | 3296-29            | 2           | Nut-Lock, NI              |
| 3           | 114-7963-01        | 1           | Baffle-Front                | 20          | 112-6416           | 1           | Bracket-Cover             |
| 4           | 117-4199           | 1           | Rear Deflector ASM          | 21          | 99-8445            | 2           | Screw-HWH                 |
| 4:2         | 114-7982           | 1           | Decal-Warning               | 22          | 99-5291            | 1           | Rod-Cover                 |
| 5           | 117-5991           | 2           | Washer-Stepped, Baffle      | 23          | 99-5293            | 1           | Spring-Torsion            |
| 6           | 115-8420           | 1           | Shield-Trailing             | 24          | 115-8449           | 1           | Deflector-Side            |
| 7           | 114-7924           | 1           | Spring-Torsion              | 25          | 115-8447           | 1           | Chute-Discharge, Side     |
| 8           | 115-2859           | 1           | Spring-Torsion              | 26          | 117-1092           | 2           | Screw-PTH                 |
| 10          | 112-6401           | 1           | Coupling-Hose, Washout Port | 27          | 117-5924           | 1           | Foam-Seal                 |

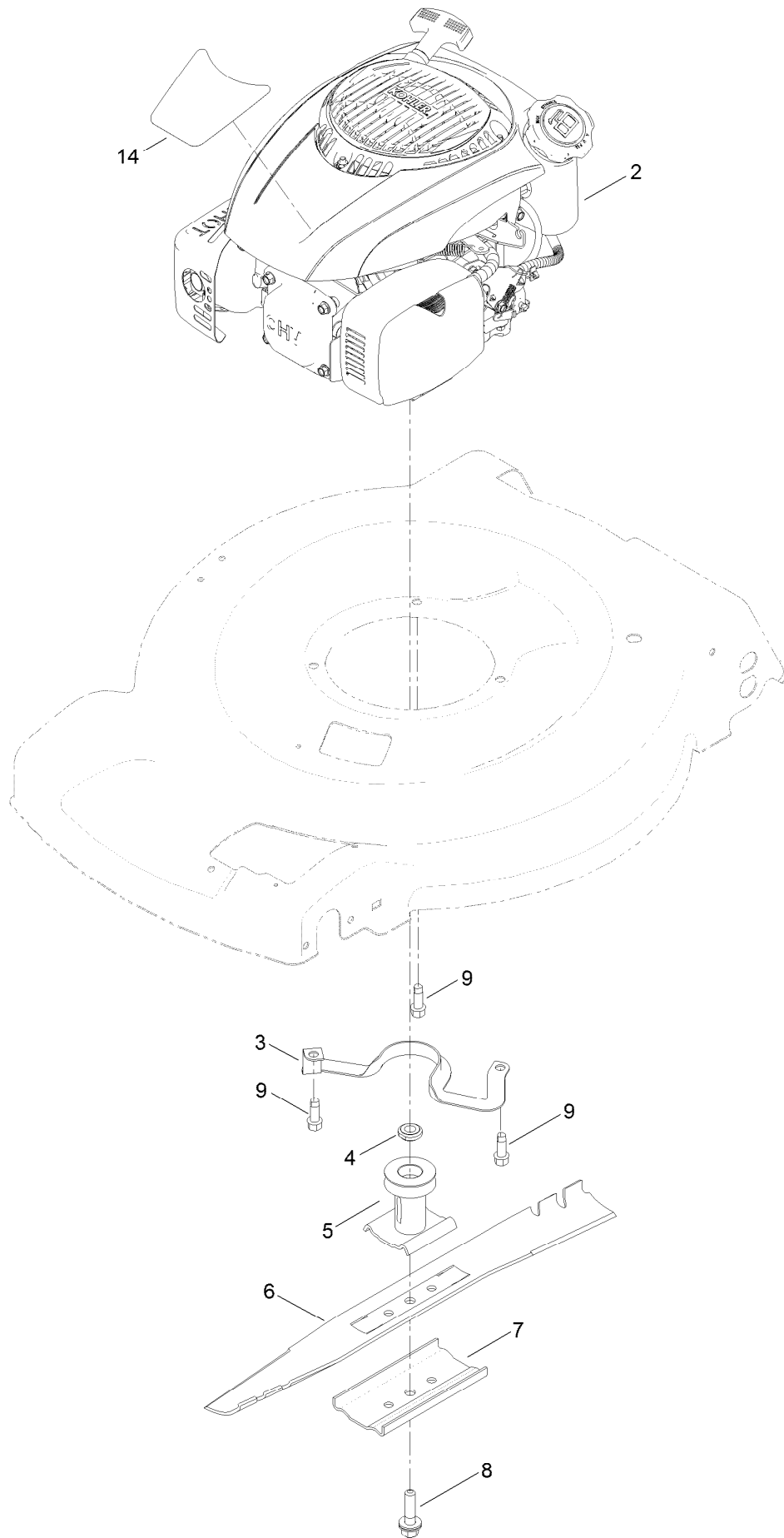
# Rear Bag Assembly



## Rear Bag Assembly (continued)

| <i>Ref.</i> | <i>Part Number</i> | <i>Qty.</i> | <i>Description</i> |
|-------------|--------------------|-------------|--------------------|
| 1           | 115-4664           | 1           | Grass Bag ASM      |
| 2           | 114-2639-03        | 1           | Frame-Bag          |

# Engine and Blade Assembly





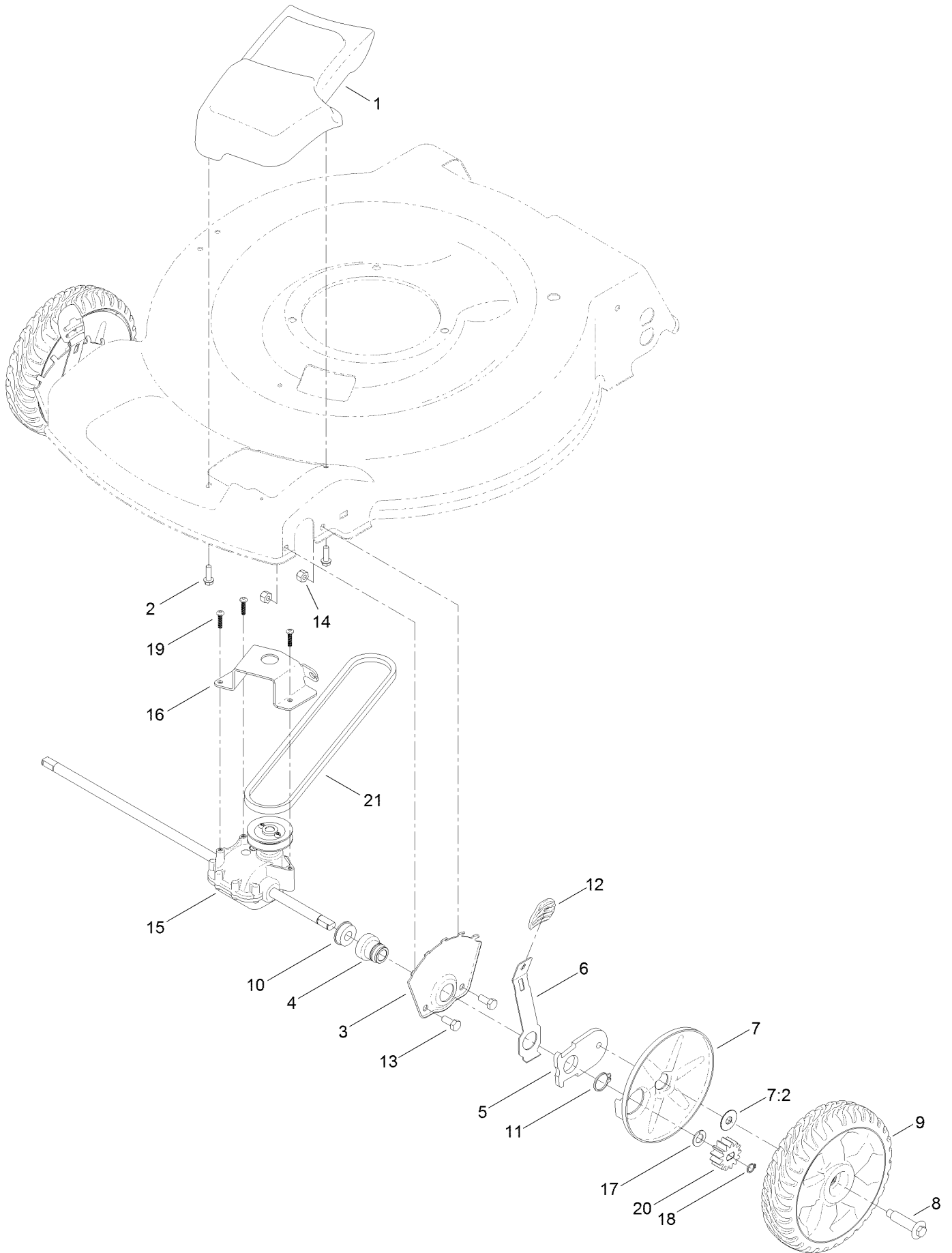
## Engine and Blade Assembly (continued)

| <i>Ref.</i> | <i>Part Number</i> | <i>Qty.</i> | <i>Description</i>             | <i>Ref.</i> | <i>Part Number</i> | <i>Qty.</i> | <i>Description</i> |
|-------------|--------------------|-------------|--------------------------------|-------------|--------------------|-------------|--------------------|
| 2           |                    | 1           | Engine-Kohler Xt675-2070<br>●■ | 6           | 108-9764-03        | 1           | Blade-22 Inch      |
| 3           | 105-3031-03        | 1           | Guide-Belt                     | 7           | 108-3766-03        | 1           | Support-Blade      |
| 4           | 106-3999           | 1           | Spacer-Driver                  | 8           | 125-2466           | 1           | Bolt-Blade         |
| 5           | 106-3987           | 1           | Driver-Blade                   | 9           | 95-1726            | 3           | Screw-Taptite      |
|             |                    |             |                                | 14          | 130-2361           | 1           | Decal-Shroud       |

● Not serviced separately

■ Obtain parts from [www.kohlerplus.com](http://www.kohlerplus.com)

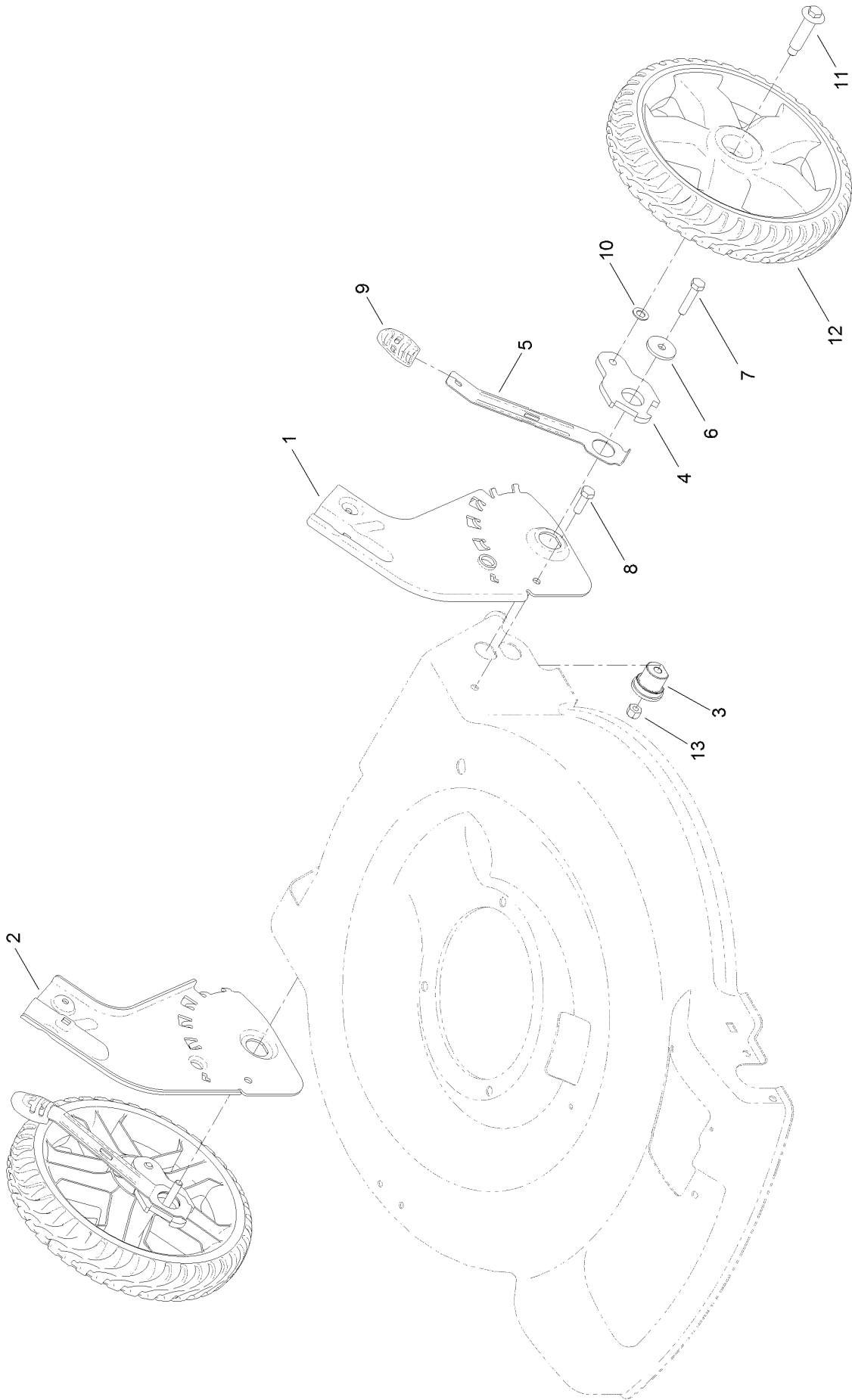
# Transmission and Front Wheel Drive Assembly



## Transmission and Front Wheel Drive Assembly (continued)

| <i>Ref.</i> | <i>Part Number</i> | <i>Qty.</i> | <i>Description</i>    | <i>Ref.</i> | <i>Part Number</i> | <i>Qty.</i> | <i>Description</i>   |
|-------------|--------------------|-------------|-----------------------|-------------|--------------------|-------------|----------------------|
| 1           | 115-1305           | 1           | Cover-Belt            | 11          | 32151-36           | 2           | Ring-Retaining       |
| 2           | 46-8091            | 2           | Screw-HWH             | 12          | 105-3042           | 2           | Knob-Lever, HOC      |
| 3           | 115-1956-03        | 2           | Plate-HOC, Front      | 13          | 322-3              | 4           | Screw-HH             |
| 4           | 104-8698           | 2           | Retainer-Bearing, HOC | 14          | 3296-29            | 4           | Nut-Lock, NI         |
| 5           | 105-1807           | 2           | Arm-Pivot, Front      | 15          | 121-9180           | 1           | Transmission ASM     |
| 6           | 105-1809           | 2           | Arm-Spring            | 16          | 114-7978-03        | 1           | Bracket-Transmission |
| 7           | 110-1792           | 2           | Wheel Cover ASM       | 17          | 110-7191           | 2           | Washer-Thrust        |
| 7:2         | 614426             | 1           | Washer-Stepped        | 18          | 32151-61           | 2           | Ring-Retaining       |
| 8           | 614650             | 2           | Bolt-Shoulder         | 19          | 108-7476           | 3           | Screw-Plastite       |
| 9           | 119-0311           | 2           | 8 Inch Wheel ASM      | 20          | 115-4665           | 2           | Gear-Pinion, 13T     |
| 10          | 104-8699           | 2           | Bearing-Ball          | 21          | 117-1018           | 1           | V-Belt               |

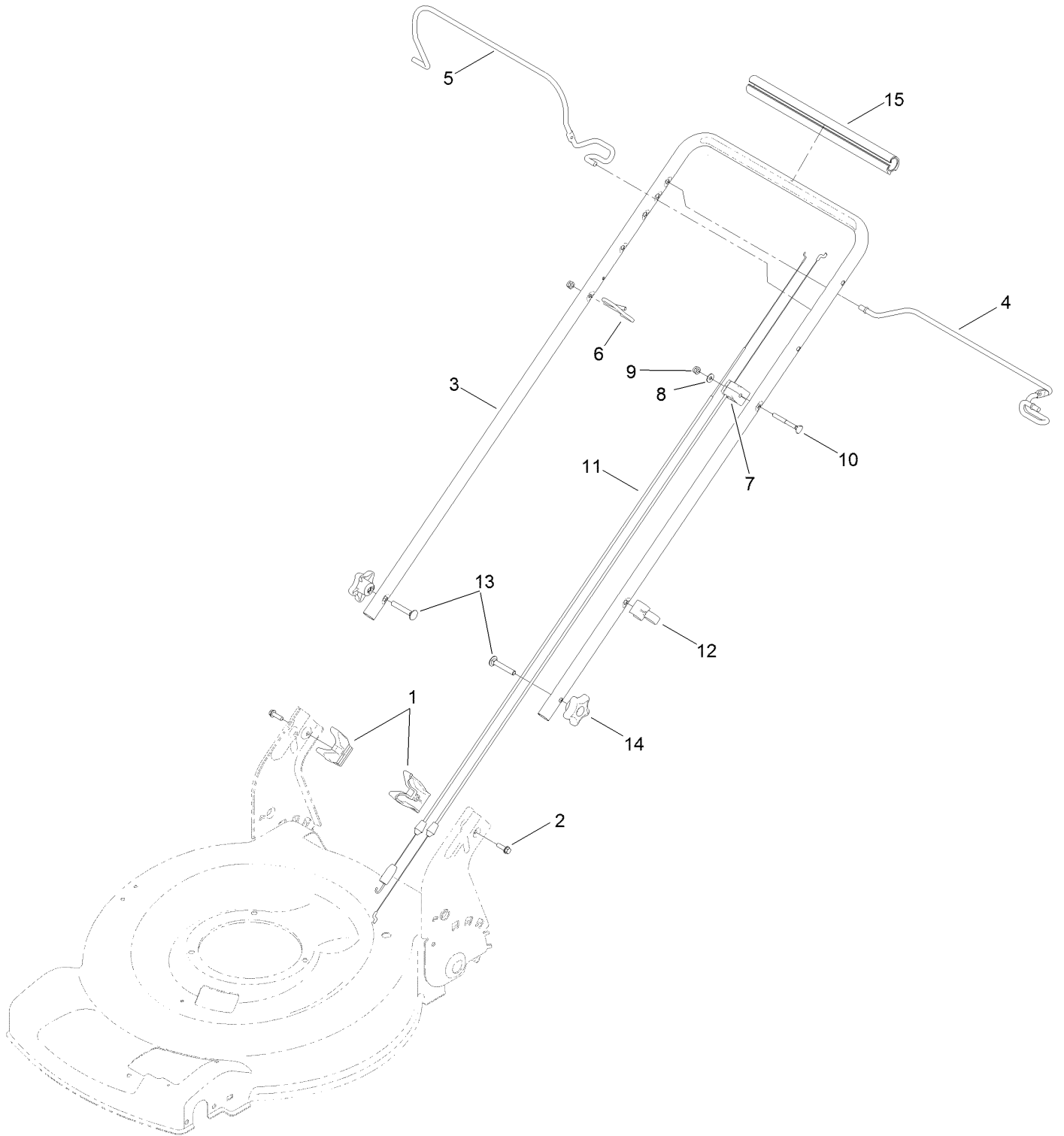
# Height-of-Cut and Rear Wheel Assembly



## Height-of-Cut and Rear Wheel Assembly (continued)

| <i>Ref.</i> | <i>Part Number</i> | <i>Qty.</i> | <i>Description</i>   | <i>Ref.</i> | <i>Part Number</i> | <i>Qty.</i> | <i>Description</i> |
|-------------|--------------------|-------------|----------------------|-------------|--------------------|-------------|--------------------|
| 1           | 114-7993-03        | 1           | Plate-HOC, Rear (LH) | 8           | 322-5              | 2           | Screw-HH           |
| 2           | 114-7994-03        | 1           | Plate-HOC, Rear (RH) | 9           | 105-3042           | 2           | Knob-Lever, HOC    |
| 3           | 115-4651           | 2           | Bushing-Mount, HOC   | 10          | 40-1940            | 2           | Washer             |
| 4           | 114-7997           | 2           | Arm-Pivot, Rear      | 11          | 614650             | 2           | Bolt-Shoulder      |
| 5           | 115-2899           | 2           | Arm-Spring, Rear     | 12          | 119-0313           | 2           | 11 Inch Wheel ASM  |
| 6           | 105-3048           | 2           | Washer-Flat          | 13          | 3296-29            | 2           | Nut-Lock, NI       |
| 7           | 322-7              | 2           | Screw-HH             |             |                    |             |                    |

# Handle Assembly



## Handle Assembly (continued)

| <i>Ref.</i> | <i>Part Number</i> | <i>Qty.</i> | <i>Description</i> | <i>Ref.</i> | <i>Part Number</i> | <i>Qty.</i> | <i>Description</i>   |
|-------------|--------------------|-------------|--------------------|-------------|--------------------|-------------|----------------------|
| 1           | 115-2866           | 2           | Anchor-Bag         | 9           | 3296-73            | 2           | Nut-Lock, NI         |
| 2           | 46-8091            | 2           | Screw-HWH          | 10          | 92-2270            | 1           | Screw-Handle         |
| 3           | 119-3810-05        | 1           | Handle             | 11          | 119-2379           | 1           | Cable-Traction       |
| 4           | 119-2378-03        | 1           | Bail-Traction      | 12          | 114-7988           | 1           | Guide-Cable          |
| 5           | 117-5965-03        | 1           | Bail-Brake         | 13          | 3230-6             | 2           | Screw-CARR           |
| 6           | 86-9671            | 1           | Guide-Rope         | 14          | 117-5976           | 2           | Knob-Handle          |
| 7           | 112-8818           | 1           | Cable-Brake        | 15          | 119-2357           | 1           | Grip-Handle, Comfort |
| 8           | 3256-1             | 1           | Washer-Flat        |             |                    |             |                      |

# Attachments and Accessories

## For 20371 22in Recycler Lawn Mower

| <b>Product Name</b>                | <b>Model/Part</b> |
|------------------------------------|-------------------|
| Engine Maintenance Kit.....        | 130-8141          |
| Replacement Bag .....              | 59305             |
| Replacement Bag and Frame Kit..... | 59307             |
| 22 Inch Atomic Blade .....         | 59534P            |



**Notes:**

**Notes:**

**Notes:**



**Count on it.**