



Count on it.

Parts Catalog

22in Recycler®

Lawn Mower

Model No. 20371—Serial No. 313000001 and Up



Ordering Replacement Parts

To order replacement parts, please supply the part number, the quantity, and the description of each part desired.

Understanding Reference Numbers

Each identified part in an illustration has a reference number. The reference number for a part also appears in the parts list, along with other information about the part.

This catalog uses two special reference number formats, one to indicate parts in a service assembly and another to indicate the quantity of a given part in an illustration.

Service Assembly Reference Numbers

Parts in service assemblies have reference numbers in the form a:b. The a represents the reference number of the entire service assembly and the b represents a sequential number unique to each part within the service assembly.

For example, a wheel assembly might be identified by reference number 6, the tire by 6:1, the valve by 6:2, and the wheel by 6:3. When you order the assembly identified by reference number 6, you receive all parts identified by reference numbers 6:1, 6:2, and 6:3. However, you may also order any part individually. Reference numbers of this type appear in illustration and in parts lists.

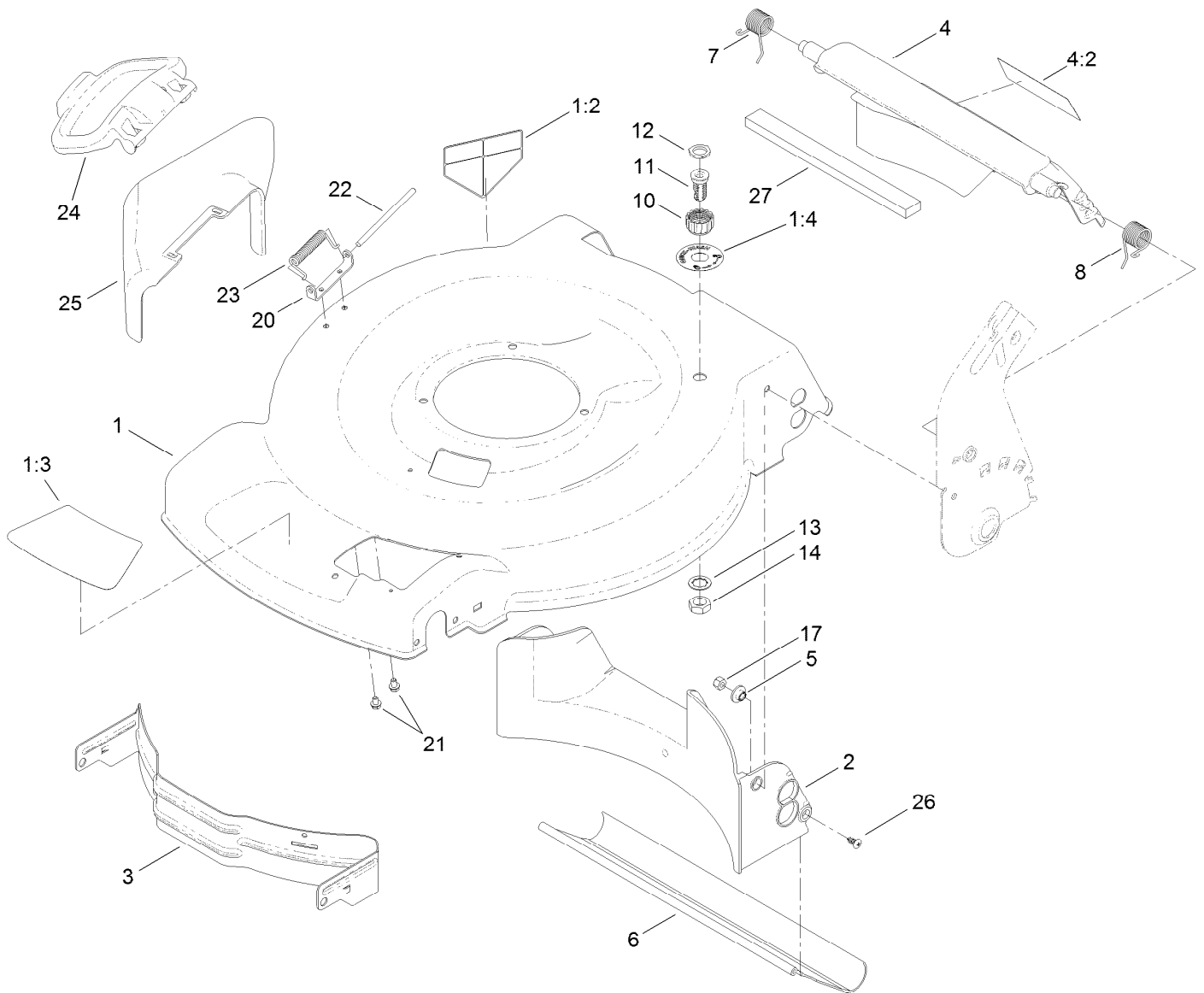
Reference Numbers Indicating Quantity

In an illustration, if a reference number indicates more than one part, the reference number has the form nX y. The n represents the quantity of the part, the X is the multiplication symbol, and the y represents the reference number.

For example, in an illustration, the reference number 2X 37 means that two of the parts identified by reference number 37 are indicated.

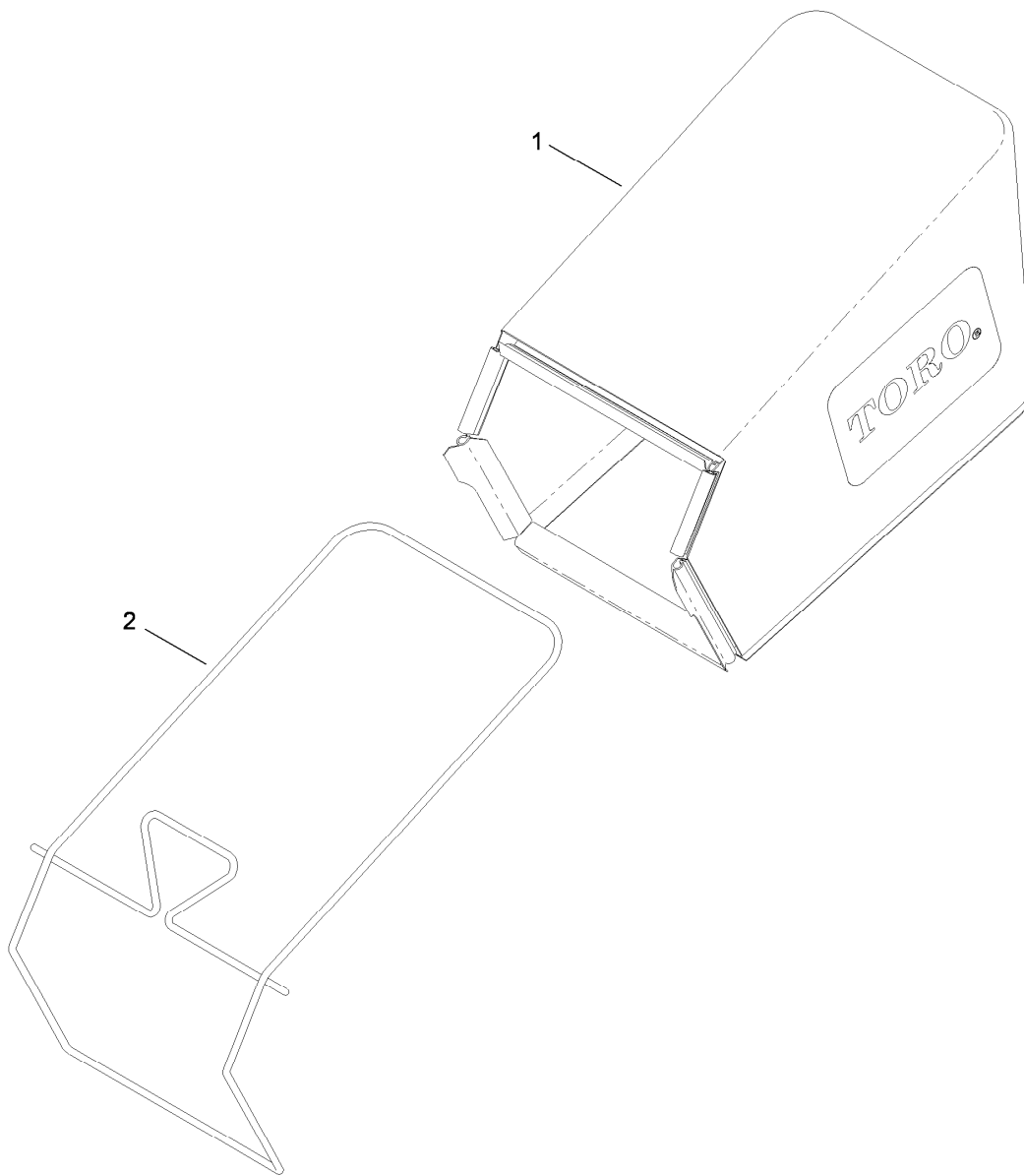
Contents

| | |
|---|----|
| Housing and Rear Deflector Assembly | 4 |
| Rear Bag Assembly | 5 |
| Engine and Blade Assembly | 6 |
| Transmission and Front Wheel Drive Assembly | 7 |
| Height-of-Cut and Rear Wheel Assembly | 8 |
| Handle Assembly | 9 |
| Attachments and Accessories | 10 |



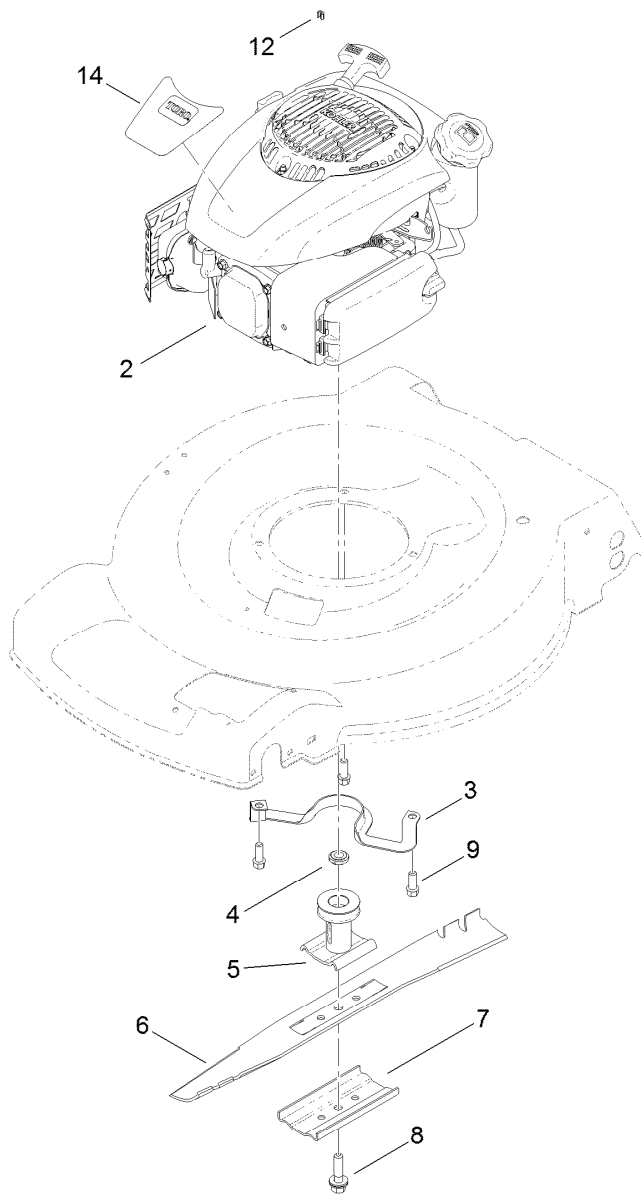
Housing and Rear Deflector Assembly

| Ref. | Part Number | Qty. | Description | Ref. | Part Number | Qty. | Description |
|------|-------------|------|-----------------------------|------|-------------|------|---------------------------|
| 1 | 117-1085 | 1 | Housing ASM | 11 | 112-6400 | 1 | Port-Washout |
| 1:2 | 94-8072 | 1 | Decal-Danger | 12 | 112-6438 | 1 | Washer-Seal, Washout Port |
| 1:3 | 115-4678 | 1 | Decal-Recycler | 13 | 3254-5 | 1 | Washer-Tooth, Internal |
| 1:4 | 112-8867 | 1 | Decal-Port, Washout | 14 | 3218-6 | 1 | Nut-Jam |
| 2 | 120-5218 | 1 | Baffle-Rear | 17 | 3296-29 | 2 | Nut-Lock, NI |
| 3 | 114-7963-01 | 1 | Baffle-Front | 20 | 112-6416 | 1 | Bracket-Cover |
| 4 | 117-4199 | 1 | Rear Deflector ASM | 21 | 99-8445 | 2 | Screw-HWH |
| 4:2 | 114-7982 | 1 | Decal-Warning | 22 | 99-5291 | 1 | Rod-Cover |
| 5 | 117-5991 | 2 | Washer-Stepped, Baffle | 23 | 99-5293 | 1 | Spring-Torsion |
| 6 | 115-8420 | 1 | Shield-Trailing | 24 | 115-8449 | 1 | Deflector-Side |
| 7 | 114-7924 | 1 | Spring-Torsion | 25 | 115-8447 | 1 | Chute-Discharge, Side |
| 8 | 115-2859 | 1 | Spring-Torsion | 26 | 117-1092 | 2 | Screw-PTH |
| 10 | 112-6401 | 1 | Coupling-Hose, Washout Port | 27 | 117-5924 | 1 | Foam-Seal |



Rear Bag Assembly

| <i>Ref.</i> | <i>Part Number</i> | <i>Qty.</i> | <i>Description</i> |
|-------------|--------------------|-------------|--------------------|
| 1 | 115-4664 | 1 | Grass Bag ASM |
| 2 | 114-2639-03 | 1 | Frame-Bag |

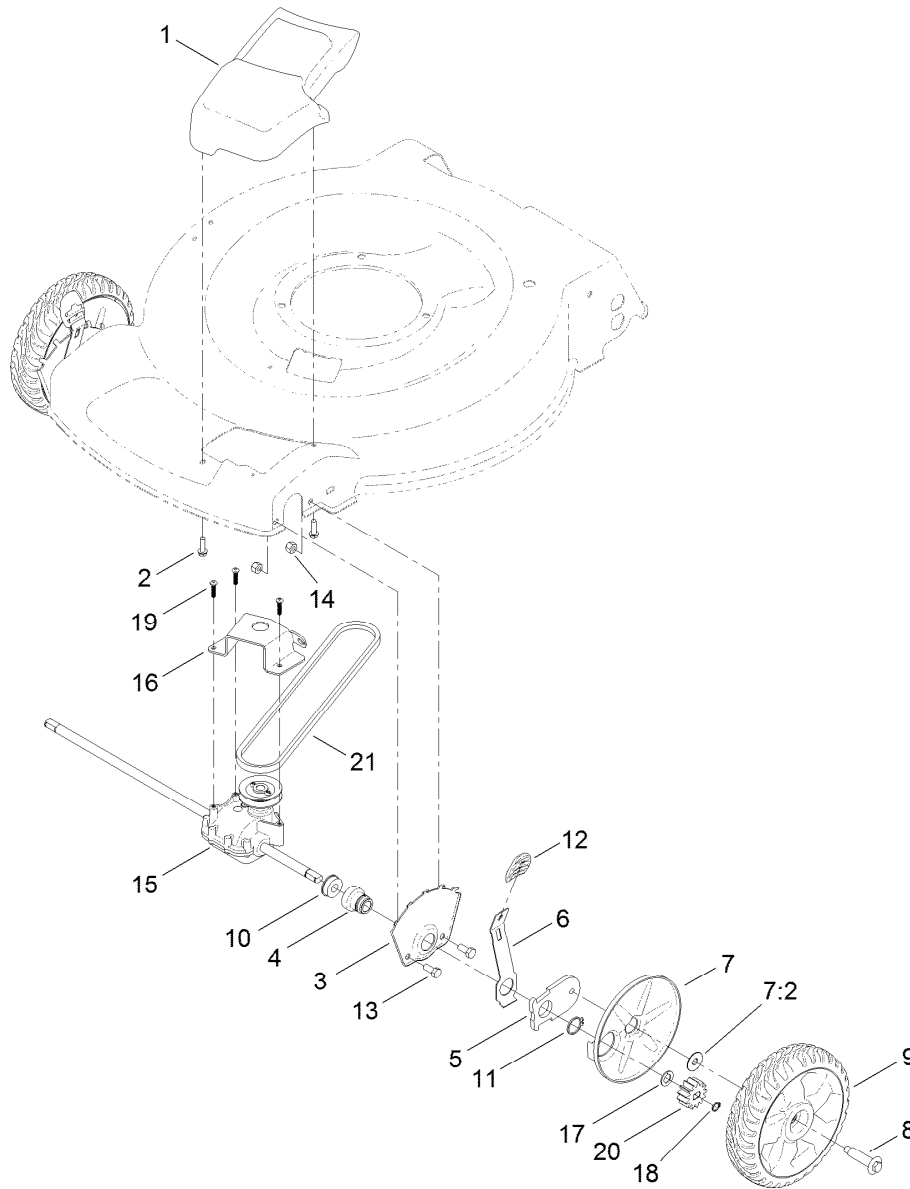


Engine and Blade Assembly

| Ref. | Part Number | Qty. | Description |
|------|-------------|------|---------------------------------|
| 2 | | 1 | Engine-Kohler, PH-Xt675-2011 ●■ |
| 3 | 105-3031-03 | 1 | Guide-Belt |
| 4 | 106-3999 | 1 | Spacer-Driver |
| 5 | 106-3987 | 1 | Driver-Blade |
| 6 | 108-9764-03 | 1 | Blade-22 Inch |
| 7 | 108-3766-03 | 1 | Support-Blade |
| 8 | 125-2466 | 1 | Bolt-Blade |
| 9 | 95-1726 | 3 | Screw-Taptite |
| 12 | 92-1701 | 1 | Stop-Rope |
| 14 | 120-9464 | 1 | Decal-Shroud |

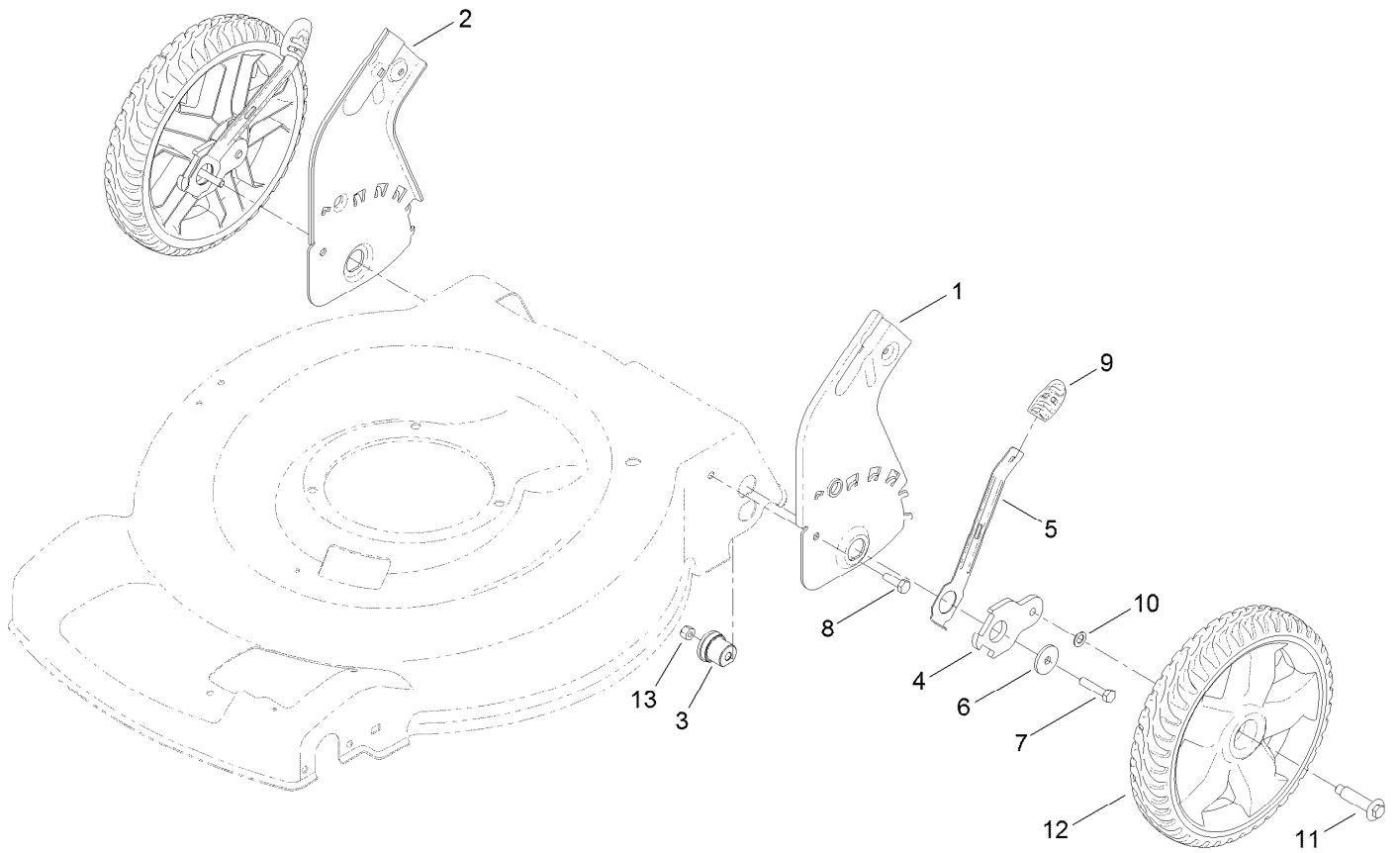
● Not serviced separately

■ Obtain parts from www.kohlerplus.com



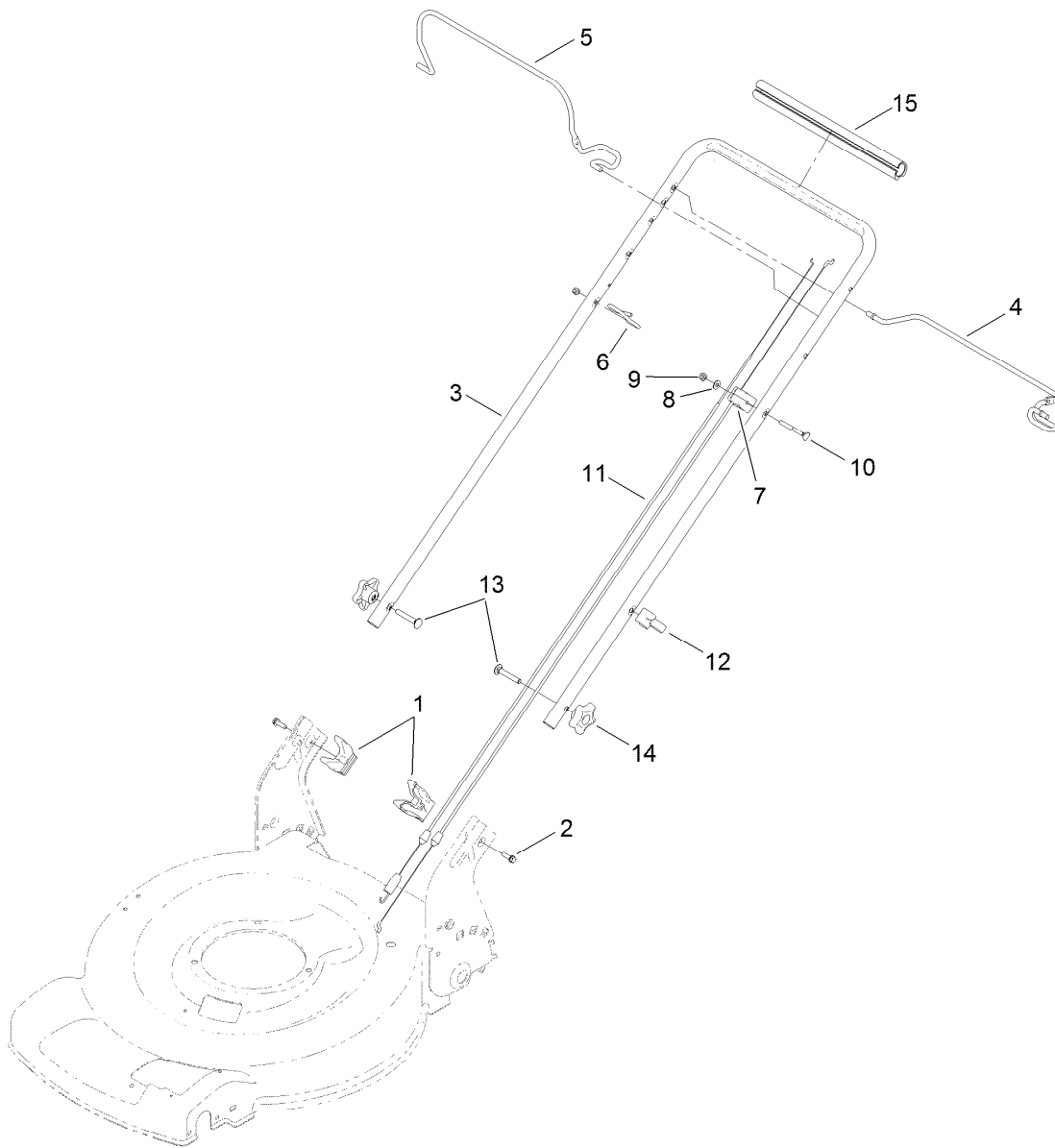
Transmission and Front Wheel Drive Assembly

| <i>Ref.</i> | <i>Part Number</i> | <i>Qty.</i> | <i>Description</i> | <i>Ref.</i> | <i>Part Number</i> | <i>Qty.</i> | <i>Description</i> |
|-------------|--------------------|-------------|-----------------------|-------------|--------------------|-------------|----------------------|
| 1 | 115-1305 | 1 | Cover-Belt | 11 | 32151-36 | 2 | Ring-Retaining |
| 2 | 46-8091 | 2 | Screw-HWH | 12 | 105-3042 | 2 | Knob-Lever, HOC |
| 3 | 115-1956-03 | 2 | Plate-HOC, Front | 13 | 322-3 | 4 | Screw-HH |
| 4 | 104-8698 | 2 | Retainer-Bearing, HOC | 14 | 3296-29 | 4 | Nut-Lock, NI |
| 5 | 105-1807 | 2 | Arm-Pivot, Front | 15 | 121-9180 | 1 | Transmission ASM |
| 6 | 105-1809 | 2 | Arm-Spring | 16 | 114-7978-03 | 1 | Bracket-Transmission |
| 7 | 110-1792 | 2 | Wheel Cover ASM | 17 | 110-7191 | 2 | Washer-Thrust |
| 7:2 | 614426 | 1 | Washer-Stepped | 18 | 32151-61 | 2 | Ring-Retaining |
| 8 | 614650 | 2 | Bolt-Shoulder | 19 | 108-7476 | 3 | Screw-Plastite |
| 9 | 119-0311 | 2 | 8 Inch Wheel ASM | 20 | 115-4665 | 2 | Gear-Pinion, 13T |
| 10 | 104-8699 | 2 | Bearing-Ball | 21 | 117-1018 | 1 | V-Belt |



Height-of-Cut and Rear Wheel Assembly

| Ref. | Part Number | Qty. | Description |
|------|-------------|------|----------------------|
| 1 | 114-7993-03 | 1 | Plate-HOC, Rear (LH) |
| 2 | 114-7994-03 | 1 | Plate-HOC, Rear (RH) |
| 3 | 115-4651 | 2 | Bushing-Mount, HOC |
| 4 | 114-7997 | 2 | Arm-Pivot, Rear |
| 5 | 115-2899 | 2 | Arm-Spring, Rear |
| 6 | 105-3048 | 2 | Washer-Flat |
| 7 | 322-7 | 2 | Screw-HH |
| 8 | 322-5 | 2 | Screw-HH |
| 9 | 105-3042 | 2 | Knob-Lever, HOC |
| 10 | 40-1940 | 2 | Washer |
| 11 | 614650 | 2 | Bolt-Shoulder |
| 12 | 119-0313 | 2 | 11 Inch Wheel ASM |
| 13 | 3296-29 | 2 | Nut-Lock, NI |



Handle Assembly

| Ref. | Part Number | Qty. | Description |
|-------------|--------------------|-------------|----------------------|
| 1 | 115-2866 | 2 | Anchor-Bag |
| 2 | 46-8091 | 2 | Screw-HWH |
| 3 | 119-3810-05 | 1 | Handle |
| 4 | 119-2378-03 | 1 | Bail-Traction |
| 5 | 117-5965-03 | 1 | Bail-Brake |
| 6 | 86-9671 | 1 | Guide-Rope |
| 7 | 112-8818 | 1 | Cable-Brake |
| 8 | 3256-1 | 1 | Washer-Flat |
| 9 | 3296-73 | 2 | Nut-Lock, NI |
| 10 | 92-2270 | 1 | Screw-Handle |
| 11 | 119-2379 | 1 | Cable-Traction |
| 12 | 114-7988 | 1 | Guide-Cable |
| 13 | 3230-6 | 2 | Screw-CARR |
| 14 | 117-5976 | 2 | Knob-Handle |
| 15 | 119-2357 | 1 | Grip-Handle, Comfort |

Attachments and Accessories

For 20371 22in Recycler Lawn Mower

| Product Name | Model/Part |
|------------------------------------|-------------------|
| Engine Maintenance Kit..... | 130-8141 |
| Replacement Bag | 59305 |
| Replacement Bag and Frame Kit..... | 59307 |
| 22 Inch Atomic Blade | 59534P |

Notes:



Count on it.