



**Count on it.**

**Parts Catalog**

**22in Recycler®**

**Lawn Mower**

Model No. 20373—Serial No. 316000001 and Up



# Ordering Replacement Parts

To order replacement parts, please supply the part number, the quantity, and the description of each part desired.

## Understanding Reference Numbers

Each identified part in an illustration has a reference number. The reference number for a part also appears in the parts list, along with other information about the part.

This catalog uses two special reference number formats, one to indicate parts in a service assembly and another to indicate the quantity of a given part in an illustration.

## Service Assembly Reference Numbers

Parts in service assemblies have reference numbers in the form a:b. The a represents the reference number of the entire service assembly and the b represents a sequential number unique to each part within the service assembly.

For example, a wheel assembly might be identified by reference number 6, the tire by 6:1, the valve by 6:2, and the wheel by 6:3. When you order the assembly identified by reference number 6, you receive all parts identified by reference numbers 6:1, 6:2, and 6:3. However, you may also order any part individually. Reference numbers of this type appear in illustration and in parts lists.

## Reference Numbers Indicating Quantity

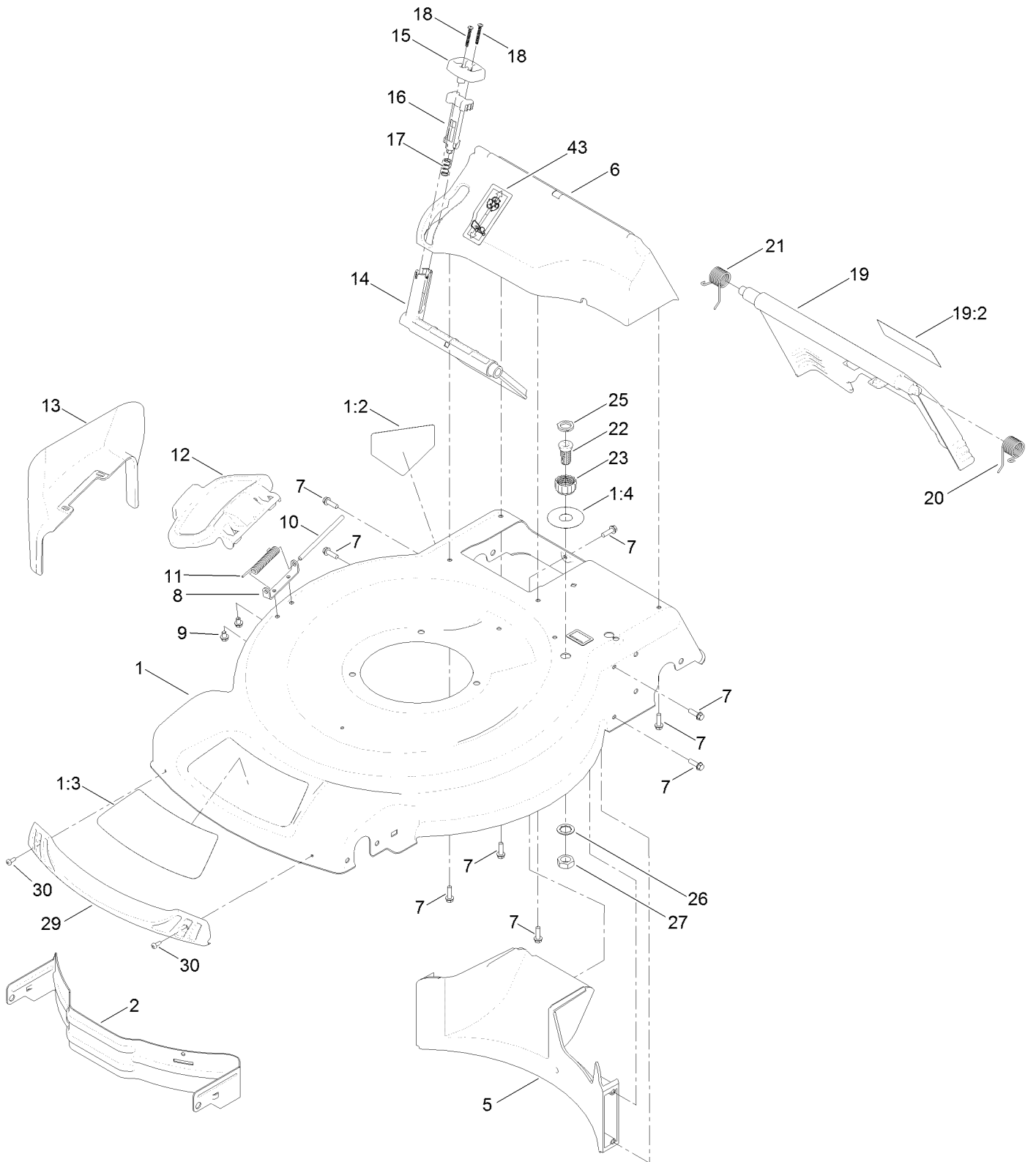
In an illustration, if a reference number indicates more than one part, the reference number has the form nX y. The n represents the quantity of the part, the X is the multiplication symbol, and the y represents the reference number.

For example, in an illustration, the reference number 2X 37 means that two of the parts identified by reference number 37 are indicated.

# Contents

Housing and Rear Deflector Assembly .....	4
Rear Bag Assembly .....	6
Engine and Blade Assembly .....	8
Shroud, Flywheel and Fuel Tank Assembly Engine Assembly No. 120-4412 .....	10
Dipstick and Gasket Assembly Engine Assembly No. 120-4412 .....	12
Carburetor, Air Cleaner and Valve Cover Assembly Engine Assembly No. 120-4412 .....	14
Front Wheel and Height-of-Cut Assembly .....	16
Rear Wheel and Height-of-Cut Assembly .....	18
Handle Assembly .....	20
Brake Control Assembly .....	22
Attachments and Accessories .....	24

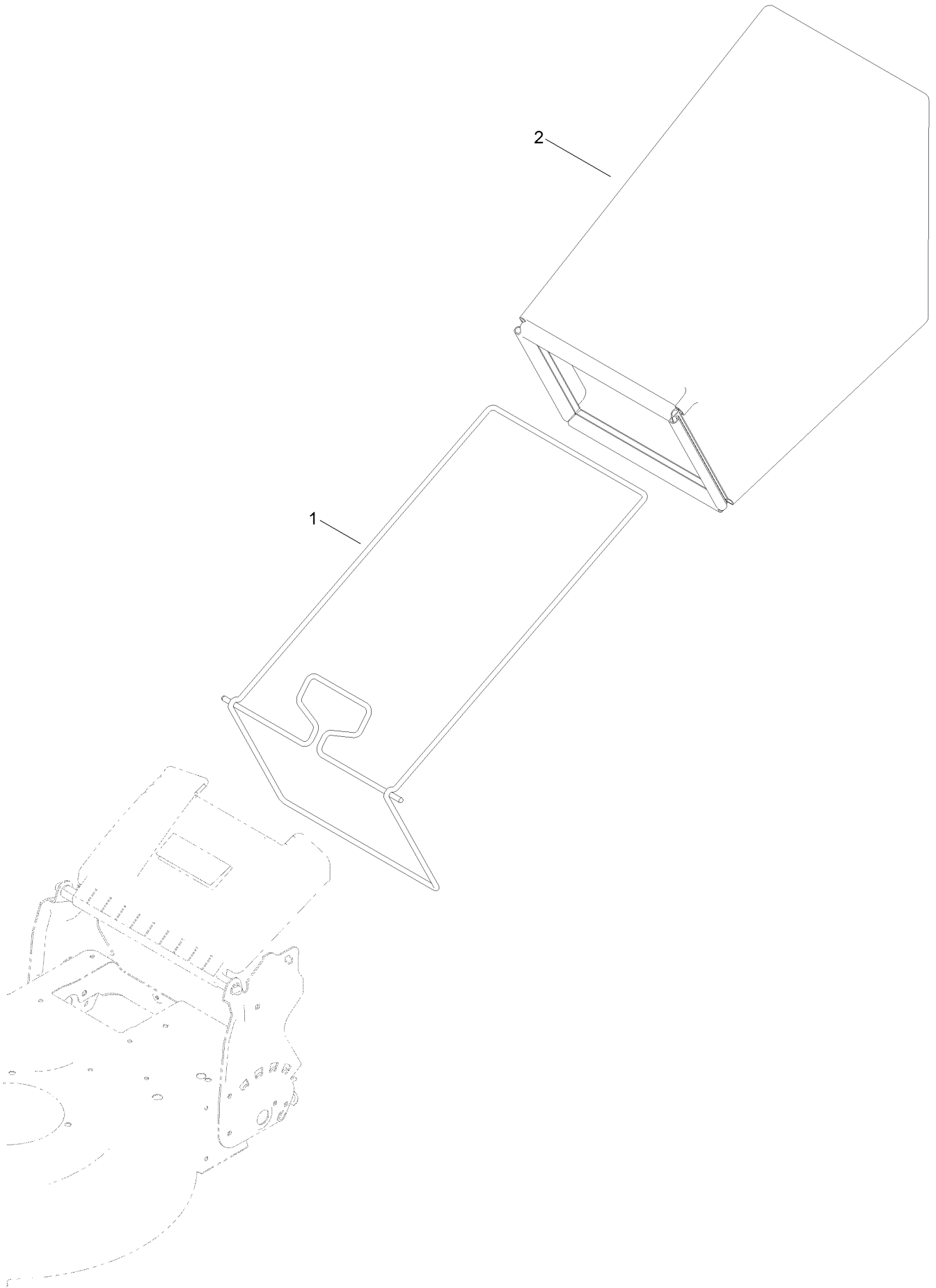
# Housing and Rear Deflector Assembly



## Housing and Rear Deflector Assembly (continued)

<i>Ref.</i>	<i>Part Number</i>	<i>Qty.</i>	<i>Description</i>	<i>Ref.</i>	<i>Part Number</i>	<i>Qty.</i>	<i>Description</i>
1	130-2389	1	Housing ASM	16	114-7959	1	Latch-Recycle
1:2	94-8072	1	Decal-Danger	17	117-1031	1	Spring-Compression
1:3	115-4676	1	Decal-Recycler	18	32104-120	2	Screw-PPH
1:4	112-8867	1	Decal-Port, Washout	19	121-5776	1	Rear Door ASM
2	114-7963-01	1	Baffle-Front	19:2	131-4514	1	Decal-Warning
5	114-7961	1	Baffle-Rear	20	115-2859	1	Spring-Torsion
6	132-4501	1	Chute-Recycle	21	114-7924	1	Spring-Torsion
7	46-8091	9	Screw-HWH	22	112-6400	1	Port-Washout
8	112-6416	1	Bracket-Cover	23	112-6401	1	Coupling-Hose, Washout Port
9	99-8445	2	Screw-HWH				
10	99-5291	1	Rod-Cover	25	112-6438	1	Washer-Seal, Washout Port
11	99-5293	1	Spring-Torsion	26	3254-5	1	Washer-Tooth, Internal
12	115-8449	1	Deflector-Side	27	3218-6	1	Nut-Jam
13	115-8447	1	Chute-Discharge, Side	29	114-7987	1	Bumper
14	114-7960	1	Deflector-Recycle	30	105-6849	2	Screw-Forming, Thread
15	114-7958	1	Knob-Recycle	43	125-5026	1	Decal

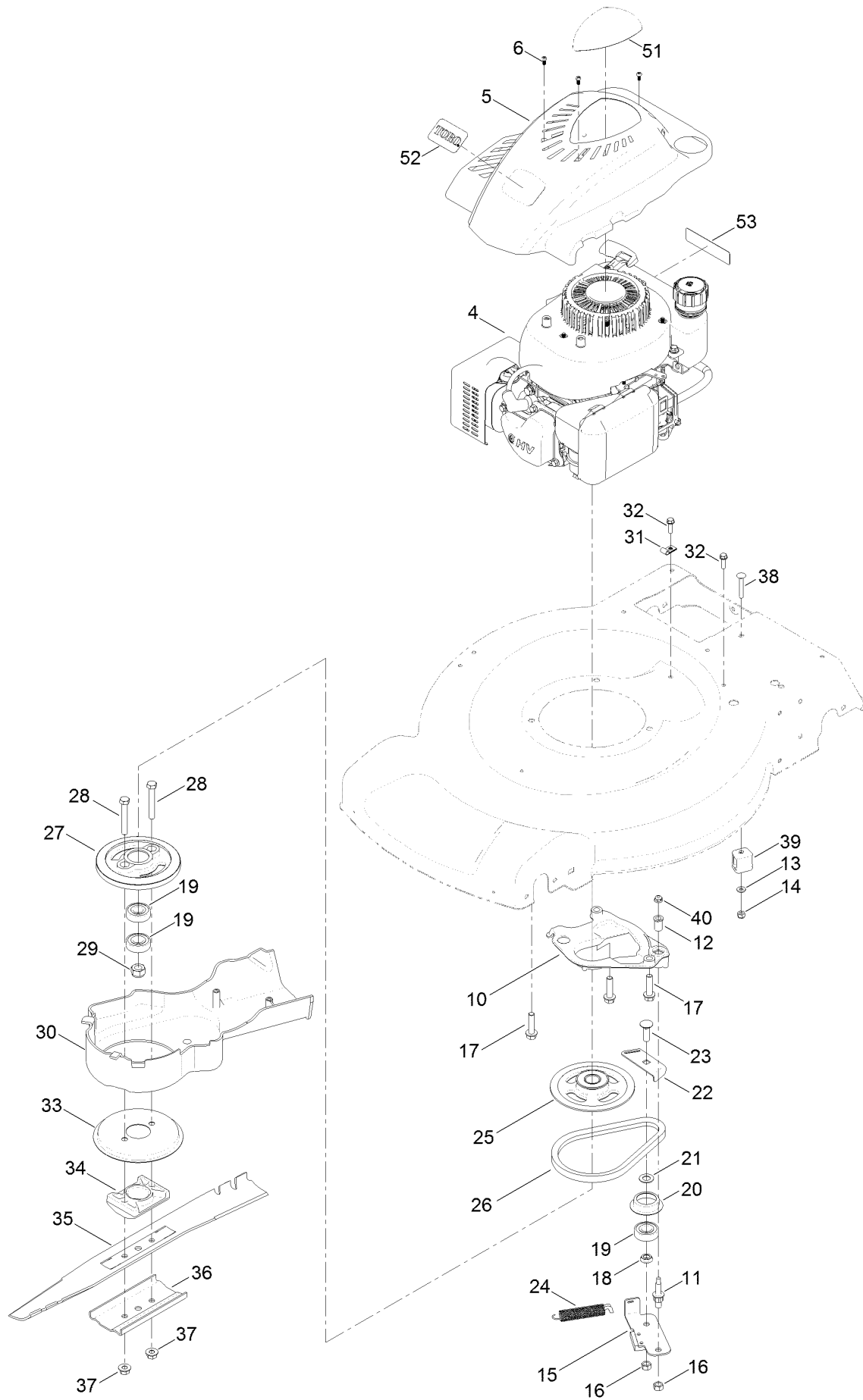
# Rear Bag Assembly



## Rear Bag Assembly (continued)

<i>Ref.</i>	<i>Part Number</i>	<i>Qty.</i>	<i>Description</i>
1	132-4503-03	1	Frame-Bag
2	115-4673	1	Grass Bag ASM

# Engine and Blade Assembly

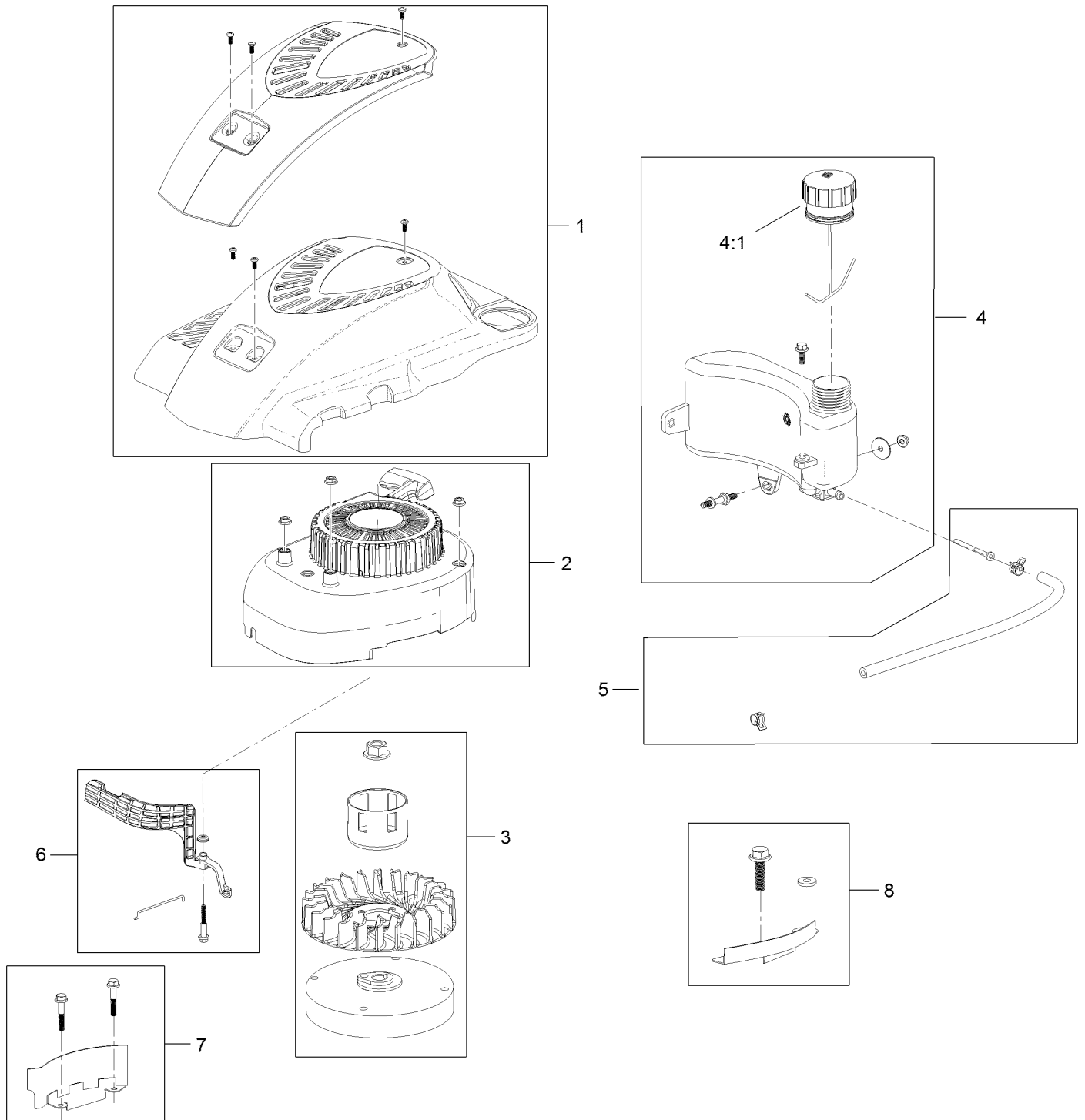




## Engine and Blade Assembly (continued)

<i>Ref.</i>	<i>Part Number</i>	<i>Qty.</i>	<i>Description</i>	<i>Ref.</i>	<i>Part Number</i>	<i>Qty.</i>	<i>Description</i>
4	120-4412	1	Engine-1P65Fc	26	110-1790	1	Belt
5	121-0443	1	Shroud	27	107-0754	1	Drum
6	121-4155	3	Screw-PPH	28	3211-42	2	Screw-HH
10	108-9341	1	Plate-Anchor	29	108-9342	1	Nut-Hex
11	107-0759	1	Bolt-Shoulder	30	115-2892	1	Cover
12	107-0797	1	Bushing	31	2412-72	1	Clip-Closed, Insulated
13	3256-16	1	Washer-Flat	32	46-8091	2	Screw-HWH
14	3296-73	1	Nut-Lock, NI	33	108-3787	1	Disc
15	125-1063	1	Plate-Brake	34	107-7487	1	Support-Blade
16	125-5069	2	Nut-Hex	35	131-4547-03	1	Blade-22 Inch
17	32144-102	3	Screw-HWH	36	108-3766-03	1	Support-Blade
18	107-0758	1	Spacer-Bearing	37	127-6852	2	Nut-Flange, Lock
19	38-7820	3	Bearing-Ball	38	3229-5	1	Screw-CARR
20	108-3790	1	Retainer-Belt	39	106-6801	1	Anchor-Cable
21	605256	1	Washer-Plain	40	104-7201	1	Nut-HF
22	107-7471	1	Plate-Guide	51	130-2360	1	Decal-Shroud
23	3231-25	1	Bolt-CARR	52	125-2505	1	Decal
24	108-3792	1	Spring-Tension, Brake	53	117-2718	1	Decal-Arrester, Spark
25	117-5970	1	Pulley				

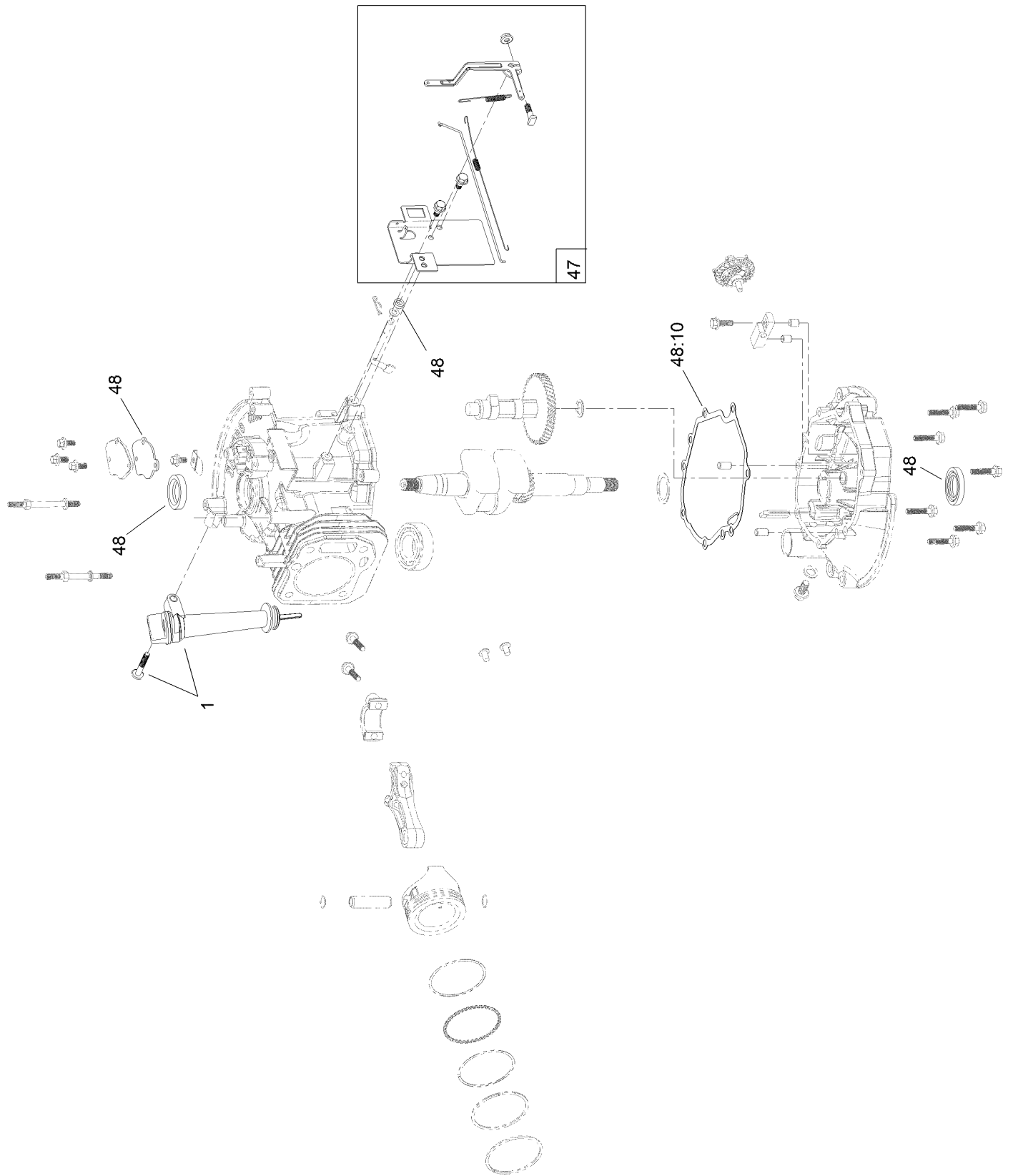
# Shroud, Flywheel and Fuel Tank Assembly Engine Assembly No. 120-4412



## Shroud, Flywheel and Fuel Tank Assembly Engine Assembly No. 120-4412 (continued)

<i>Ref.</i>	<i>Part Number</i>	<i>Qty.</i>	<i>Description</i>	<i>Ref.</i>	<i>Part Number</i>	<i>Qty.</i>	<i>Description</i>
1	119-1990	1	Shroud ASM	4:1	121-4163	1	Cap-Fuel
2	121-4160	1	Recoil And Blower Shroud Kit	5	121-4167	1	Fuel Line Kit
3	121-0388	1	Flywheel And Fan Kit	6	121-4168	1	Air Vane Kit
4	121-4162	1	Fuel Tank Kit	7	119-1994	1	Flywheel Shield Kit
				8	121-4207	1	Flywheel Guard Kit, BBC

# Dipstick and Gasket Assembly Engine Assembly No. 120-4412



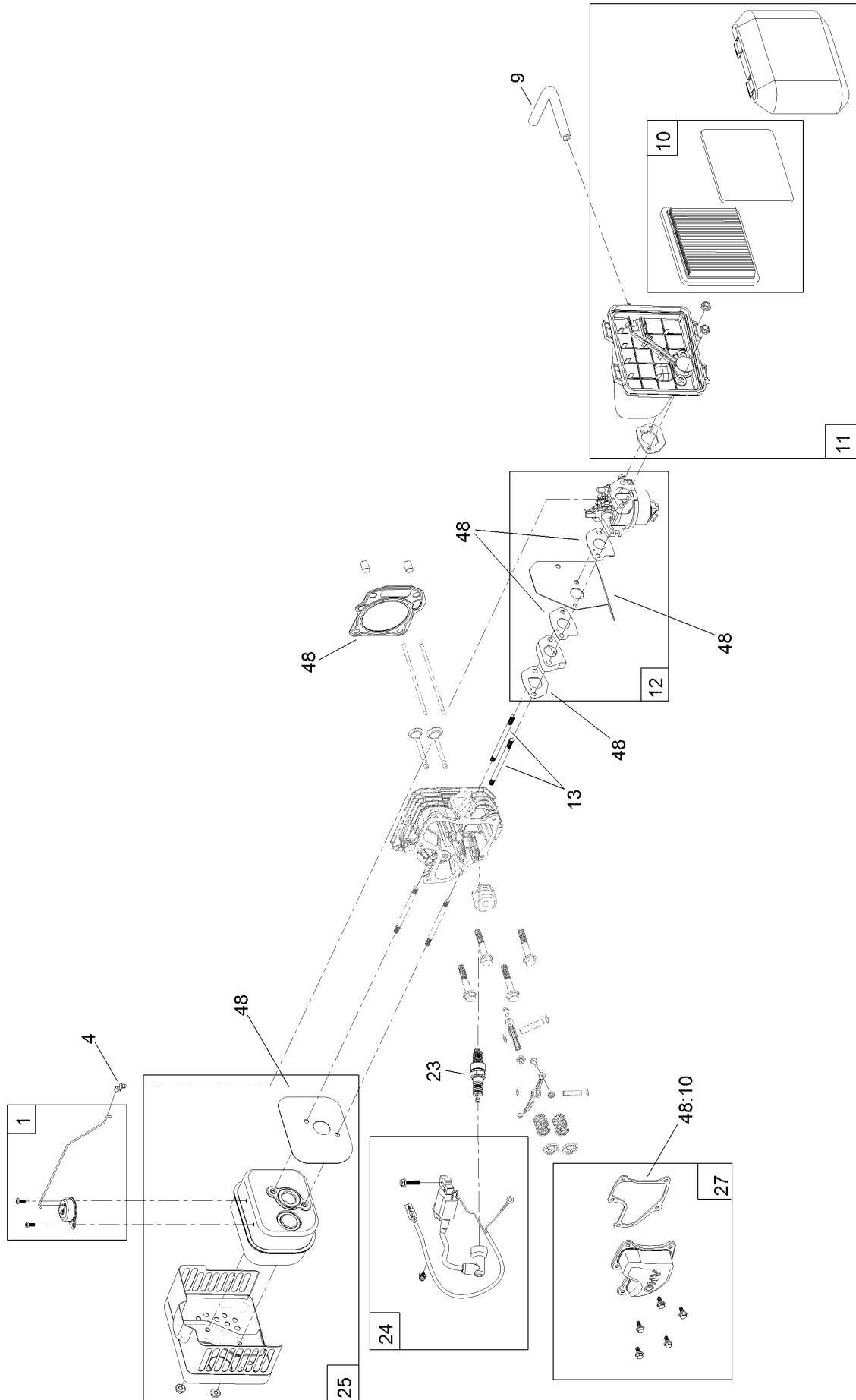
# Dipstick and Gasket Assembly

## Engine Assembly No. 120-4412 (continued)

<i>Ref.</i>	<i>Part Number</i>	<i>Qty.</i>	<i>Description</i>
1	121-4279	1	Dipstick And Fill Tube Kit
47	119-1968	1	Governor Arm Kit

<i>Ref.</i>	<i>Part Number</i>	<i>Qty.</i>	<i>Description</i>
48	127-9144	1	Seal And Gasket Kit
48:10	121-4190	1	Gasket-Valve Cover

# Carburetor, Air Cleaner and Valve Cover Assembly Engine Assembly No. 120-4412

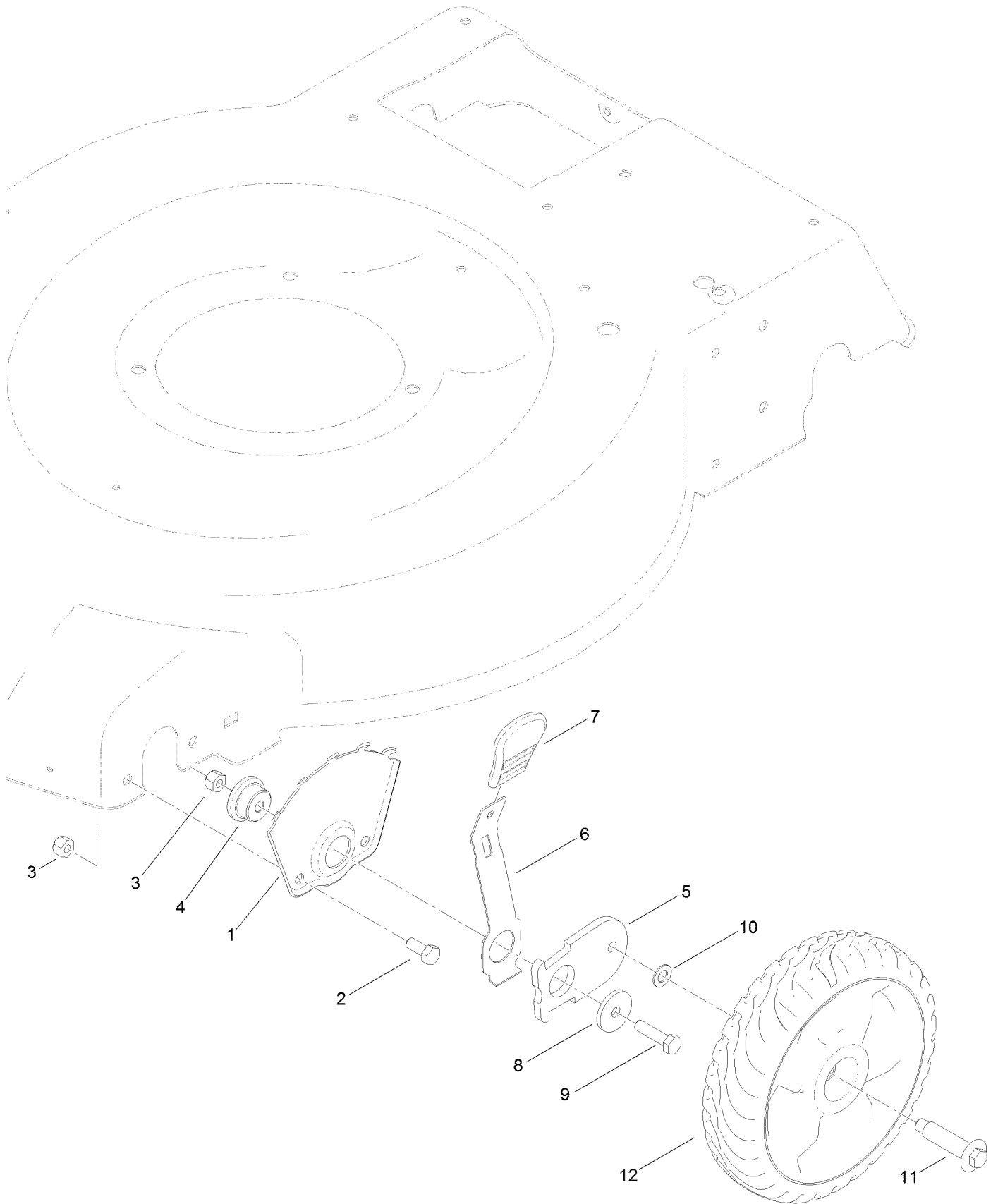


# Carburetor, Air Cleaner and Valve Cover Assembly Engine Assembly No. 120-4412 (continued)

<i>Ref.</i>	<i>Part Number</i>	<i>Qty.</i>	<i>Description</i>	<i>Ref.</i>	<i>Part Number</i>	<i>Qty.</i>	<i>Description</i>
1	121-4175	1	Thermal Control Kit	13	121-0367	2	Stud-Intake
4	120-4451	1	Lock-Throttle	23	121-4199	1	Spark Plug
9	119-1902	1	Tube-Breather	24	121-4209	1	Ignition Coil Kit, BBC
10	119-1909	1	Air Filter And Prefilter Kit	25	121-4277	1	Muffler And Shield Kit
11	121-4177	1	Air Cleaner ASM Kit	27	121-4188	1	Valve Cover Kit
12	127-9145	1	Carb Replacement Kit	48	127-9144	1	Seal And Gasket Kit
12	127-9146	1	Carb Repair Kit With Gaskets	48:10	121-4190	1	Gasket-Valve Cover
				99	121-4242	1	High Altitude Kit ●

● Not illustrated

# Front Wheel and Height-of-Cut Assembly

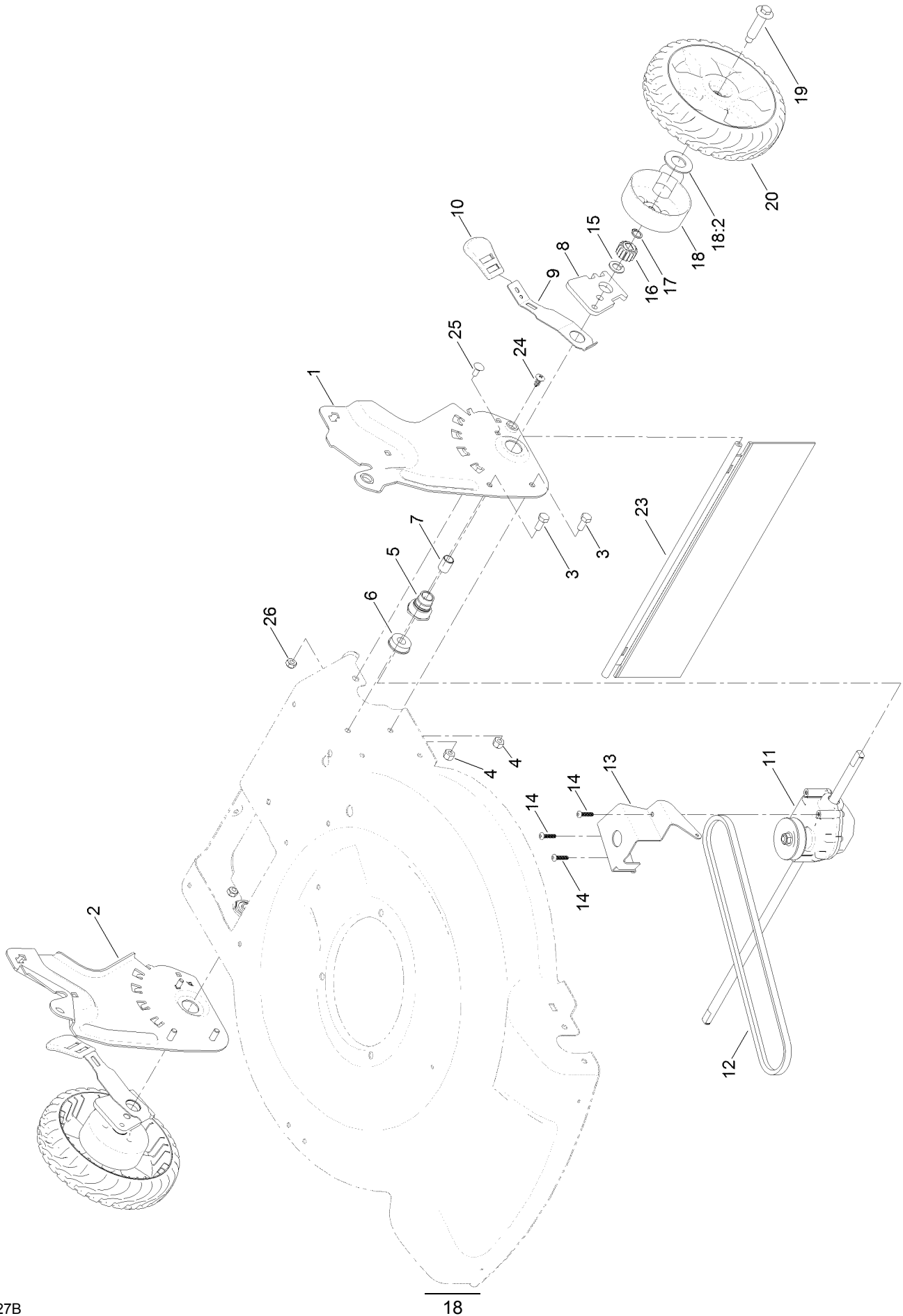




# Front Wheel and Height-of-Cut Assembly (continued)

<i>Ref.</i>	<i>Part Number</i>	<i>Qty.</i>	<i>Description</i>	<i>Ref.</i>	<i>Part Number</i>	<i>Qty.</i>	<i>Description</i>
1	115-1956-03	2	Plate-HOC, Front	7	110-0549	2	Knob-HOC
2	322-3	4	Screw-HH	8	105-3048	2	Washer-Flat
3	3296-29	6	Nut-Lock, NI	9	322-6	2	Screw-HH
4	105-1818	2	Bushing-Mount, HOC	10	40-1940	2	Washer
5	105-1807	2	Arm-Pivot, Front	11	614650	2	Bolt-Shoulder
6	105-1809	2	Arm-Spring	12	115-2894	2	8 Inch Wheel ASM

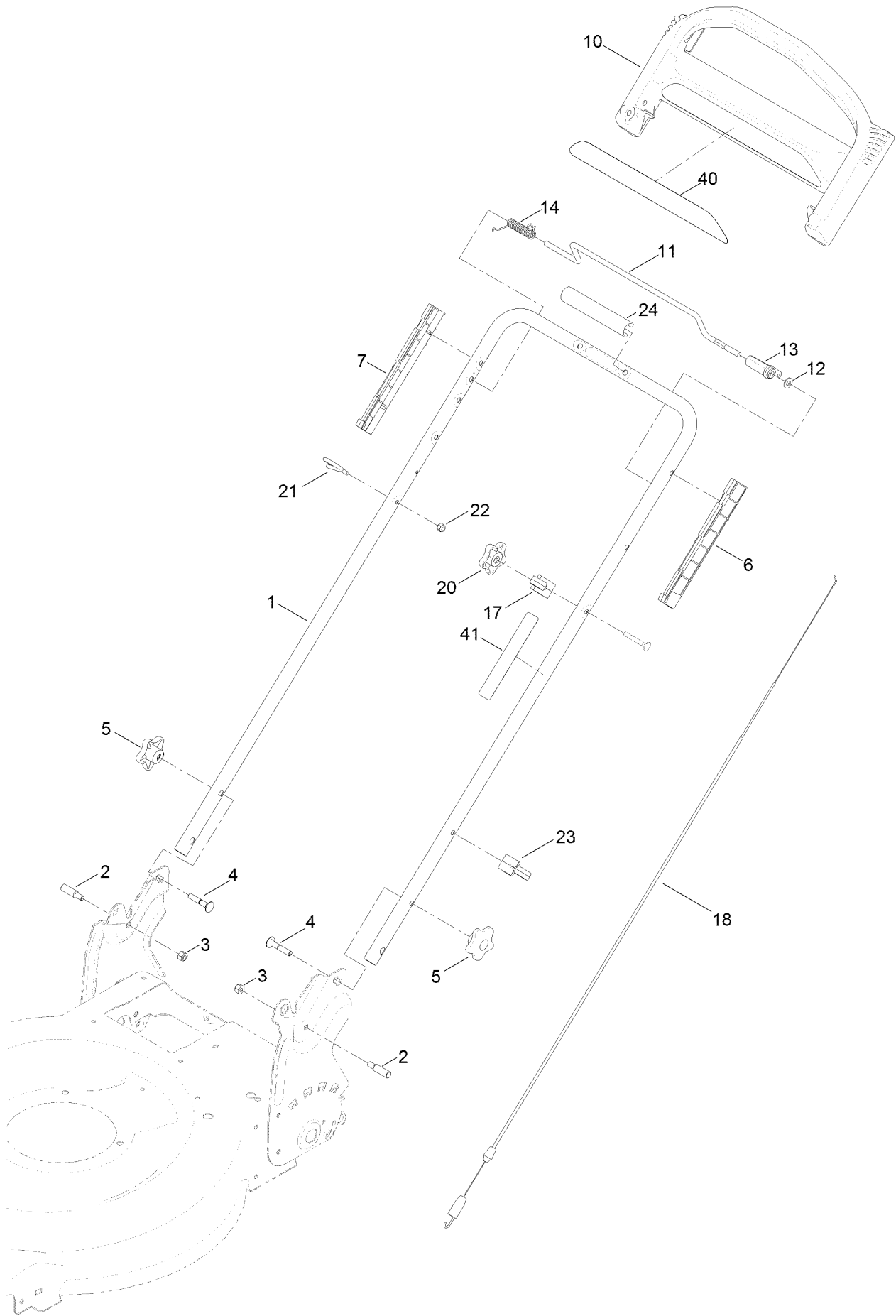
# Rear Wheel and Height-of-Cut Assembly



## Rear Wheel and Height-of-Cut Assembly (continued)

<i>Ref.</i>	<i>Part Number</i>	<i>Qty.</i>	<i>Description</i>	<i>Ref.</i>	<i>Part Number</i>	<i>Qty.</i>	<i>Description</i>
1	131-9693-03	1	Plate-HOC, LH	14	108-7476	3	Screw-Plastite
2	131-9694-03	1	Plate-HOC, RH	15	110-7191	2	Washer-Thrust
3	322-3	4	Screw-HH	16	110-9417	2	Gear-Pinion, 15T
4	3296-29	4	Nut-Lock, NI	17	32151-61	2	Ring-Retaining
5	108-9779	2	Retainer-Bushing, HOC	18	132-4480	2	Cover-Gear
6	104-8699	2	Bearing-Ball	18:2	614426	1	Washer-Stepped
7	108-9782	2	Bushing-Sleeve	19	614650	2	Bolt-Shoulder
8	132-4459	2	Arm-Pivot, Rear	20	119-3822	2	8 Inch Wheel Gear ASM
9	108-9780	2	Arm-Spring	23	120-7012	1	Shield-Trailing
10	110-0549	2	Knob-HOC	24	117-1092	2	Screw-PTH
11	121-9178	1	Transmission ASM	25	3229-11	2	Screw-CARR
12	115-4669	1	Belt-V	26	3296-16	2	Nut-Lock, NI
13	114-7977-03	1	Bracket-Transmission				

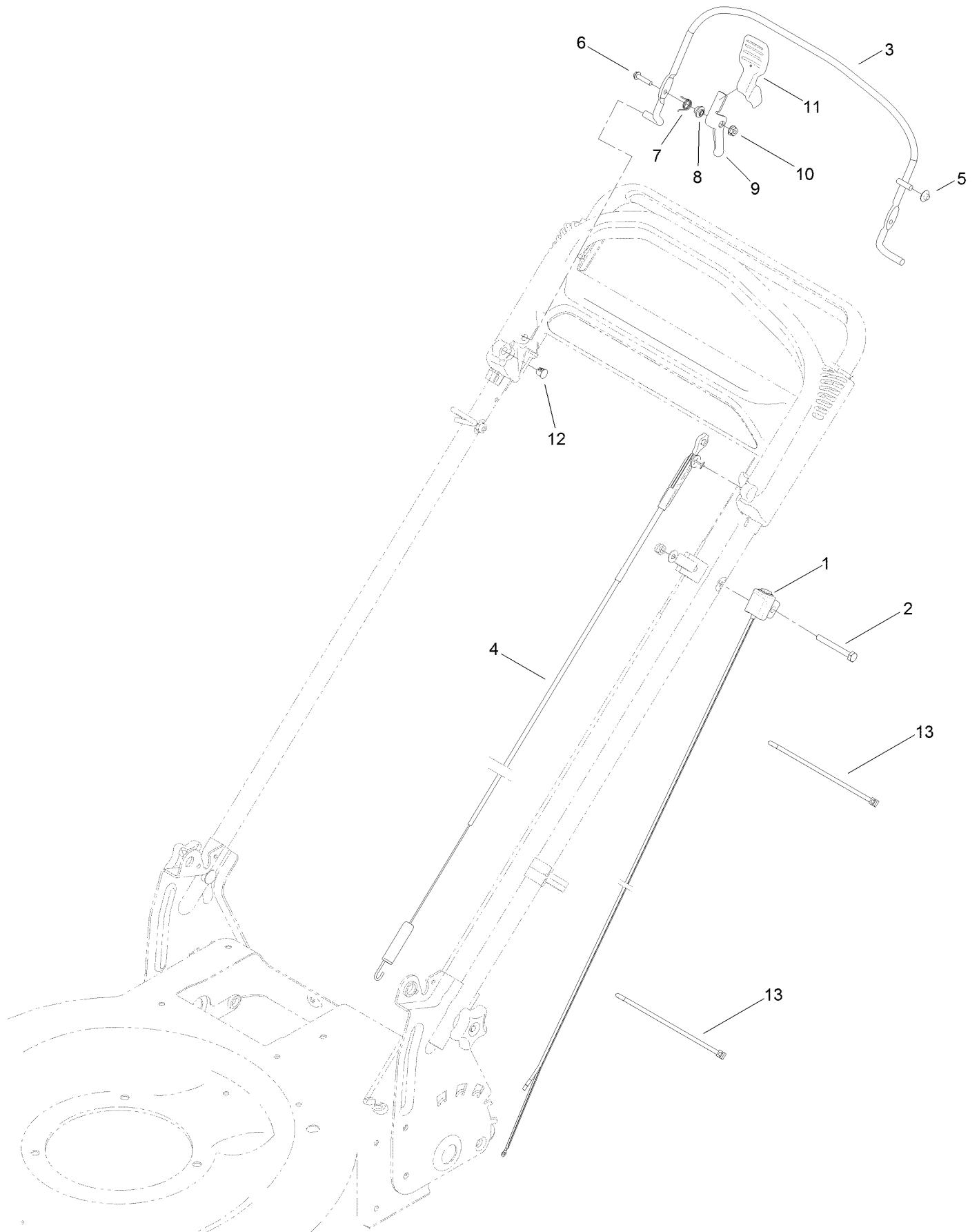
# Handle Assembly



## Handle Assembly (continued)

<i>Ref.</i>	<i>Part Number</i>	<i>Qty.</i>	<i>Description</i>	<i>Ref.</i>	<i>Part Number</i>	<i>Qty.</i>	<i>Description</i>
1	131-9695-05	1	Handle	14	121-9118	1	Spring-Torsion
2	131-4591	2	Bolt-Shoulder	17	99-5239	1	Anchor-Cable
3	3296-29	2	Nut-Lock, NI	18	115-8435	1	Cable-Traction
4	131-9663	2	Screw-CARR	20	131-0897	1	Knob-Handle, Locking
5	117-5976	2	Knob-Handle	21	86-9671	1	Guide-Rope
6	105-6842	1	Guide-LH	22	3296-73	1	Nut-Lock, NI
7	105-6841	1	Guide-RH	23	114-7988	1	Guide-Cable
10	104-8678	1	Handle-Control	24	131-4551	1	Handle-Cover
11	99-1588	1	Bar-Control, Traction	40	117-1019	1	Decal
12	3256-23	1	Washer-Plain	41	132-4470	1	Decal-Traction, Adjust
13	99-1589	1	Lever-Traction				

# Brake Control Assembly



## Brake Control Assembly (continued)

<i>Ref.</i>	<i>Part Number</i>	<i>Qty.</i>	<i>Description</i>	<i>Ref.</i>	<i>Part Number</i>	<i>Qty.</i>	<i>Description</i>
1	121-2347	1	Harness	8	107-7463	1	Spacer
2	321-50	1	Screw-HH	9	106-6802	1	Lever
3	108-3788-03	1	Bail-Brake	10	32128-17	1	Nut-Lock, Flange
4	115-8439	1	Cable-Brake	11	112-8884	1	Knob
5	3290-337	1	Nut-Speed	12	104-9368	1	Plug-Dome
6	106-9169	1	Screw-HWH	13	614249	2	Tie-Cable
7	107-7462	1	Spring-Torsion				

# Attachments and Accessories

## For 20373 22in Recycler Lawn Mower

<b>Product Name</b>	<b>Model/Part</b>
High-Altitude Kit.....	121-4242
Fuel Stabilizer .05 oz.....	130-2393
Traction Assist Handle Kit.....	131-4590
Engine Maintenance Kit.....	20240
Lawn Striping Kit with 22in Roller.....	20601
Replacement Drive Belt Kit, 22-inch 2009 and After Rear-Wheel Drive Lawn Mower.....	38991
Lawnmower Cover.....	490-7462
8in Gear Wheel ASM.....	59502
8in Gear Wheel ASM RWD.....	59503
22 Inch Atomic Blade.....	59534P



**Notes:**

**Notes:**

**Notes:**



**Count on it.**