



Count on it.

Parts Catalog

22in Recycler®

Lawn Mower

Model No. 20332—Serial No. 313000001 and Up



Ordering Replacement Parts

To order replacement parts, please supply the part number, the quantity, and the description of each part desired.

Understanding Reference Numbers

Each identified part in an illustration has a reference number. The reference number for a part also appears in the parts list, along with other information about the part.

This catalog uses two special reference number formats, one to indicate parts in a service assembly and another to indicate the quantity of a given part in an illustration.

Service Assembly Reference Numbers

Parts in service assemblies have reference numbers in the form a:b. The a represents the reference number of the entire service assembly and the b represents a sequential number unique to each part within the service assembly.

For example, a wheel assembly might be identified by reference number 6, the tire by 6:1, the valve by 6:2, and the wheel by 6:3. When you order the assembly identified by reference number 6, you receive all parts identified by reference numbers 6:1, 6:2, and 6:3. However, you may also order any part individually. Reference numbers of this type appear in illustration and in parts lists.

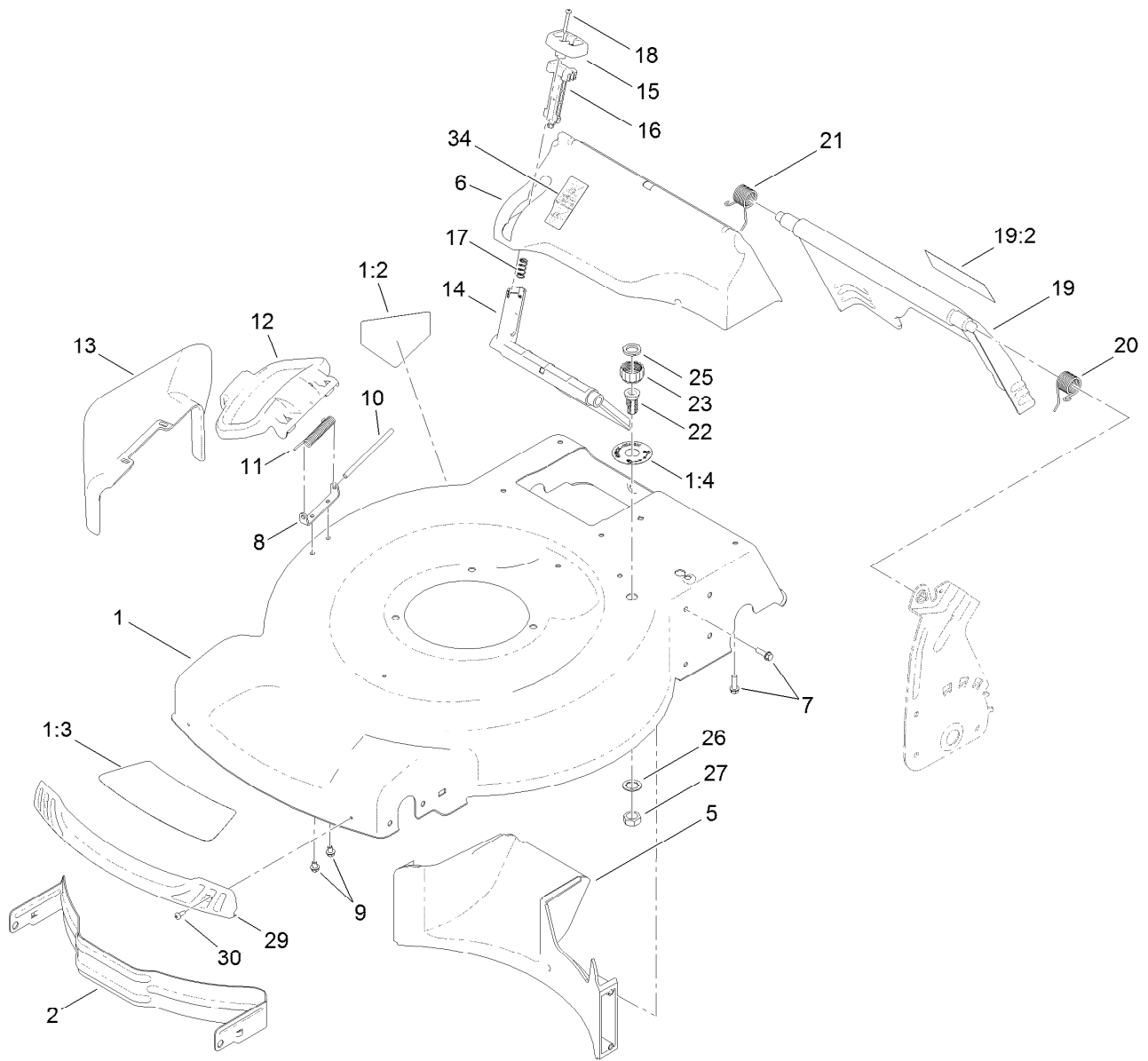
Reference Numbers Indicating Quantity

In an illustration, if a reference number indicates more than one part, the reference number has the form nX y. The n represents the quantity of the part, the X is the multiplication symbol, and the y represents the reference number.

For example, in an illustration, the reference number 2X 37 means that two of the parts identified by reference number 37 are indicated.

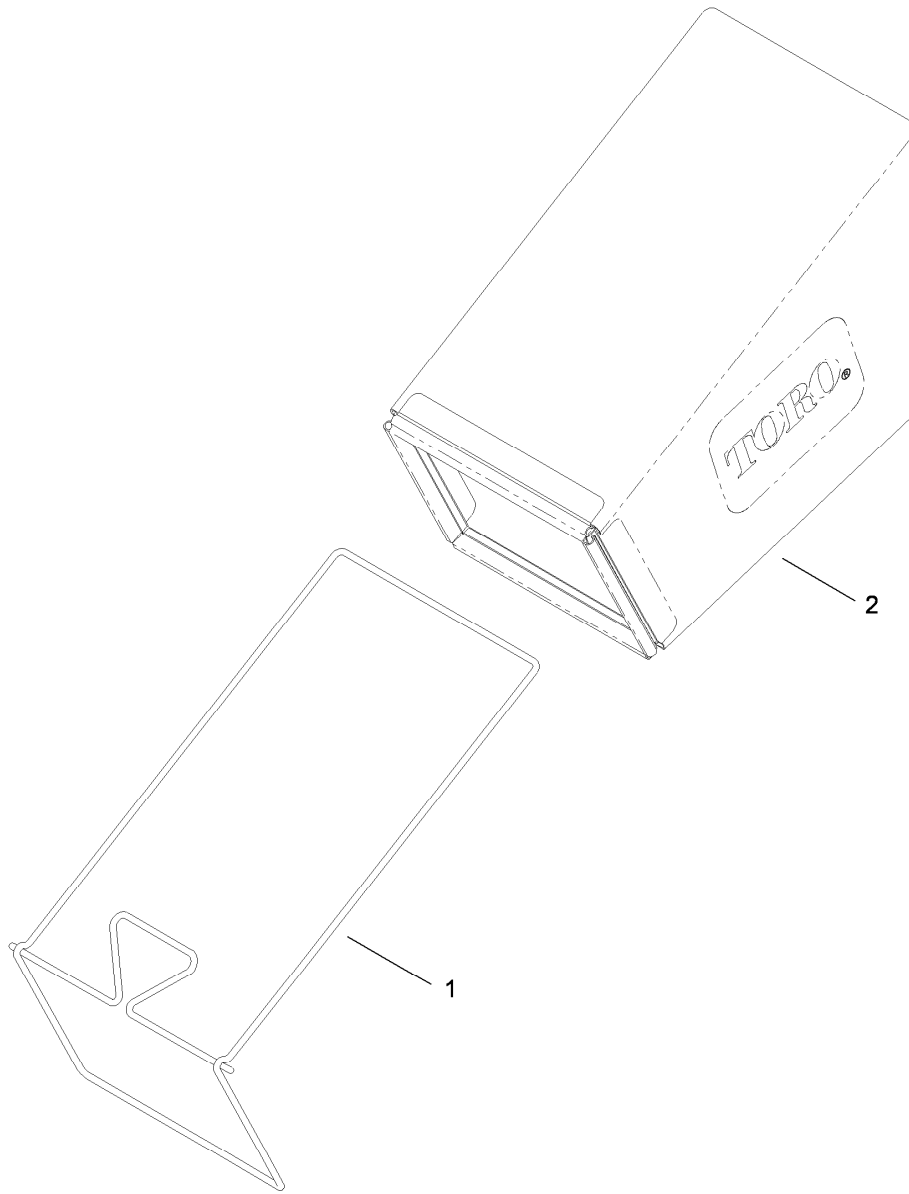
Contents

Deck, Side Chute and Rear Door Assembly	4
Rear Bag Assembly	5
Engine and Blade Assembly	6
Front Wheel and Height-of-Cut Assembly	7
Transmission and Rear Wheel Drive Assembly	8
Handle Assembly	9
Attachments and Accessories	10



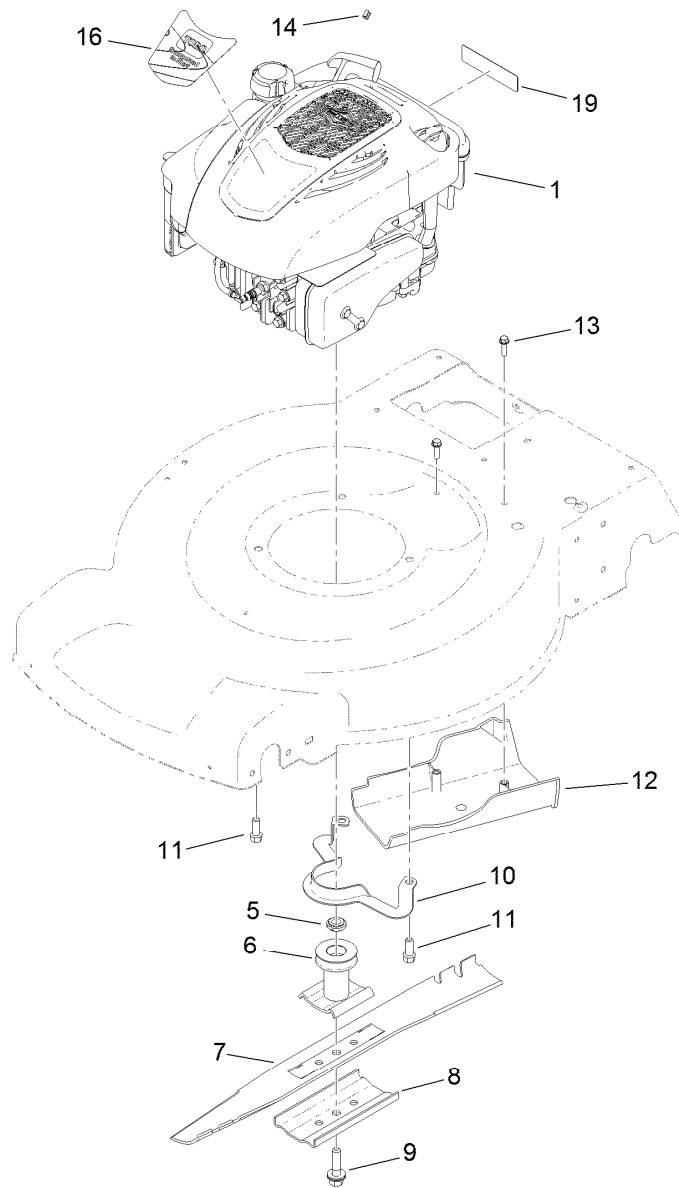
Deck, Side Chute and Rear Door Assembly

<i>Ref.</i>	<i>Part Number</i>	<i>Qty.</i>	<i>Description</i>	<i>Ref.</i>	<i>Part Number</i>	<i>Qty.</i>	<i>Description</i>
1	117-1084	1	Housing ASM	16	114-7959	1	Latch-Recycle
1:2	94-8072	1	Decal-Danger	17	117-1031	1	Spring-Compression
1:3	115-4676	1	Decal-Recycler	18	32104-120	2	Screw-PPH
1:4	112-8867	1	Decal-Port, Washout	19	121-5776	1	Rear Door ASM
2	114-7963-01	1	Baffle-Front	19:2	114-7982	1	Decal-Warning
5	114-7961	1	Baffle-Rear	20	115-2859	1	Spring-Torsion
6	115-4677	1	Chute-Recycle	21	114-7924	1	Spring-Torsion
7	46-8091	9	Screw-HWH	22	112-6400	1	Port-Washout
8	112-6416	1	Bracket-Cover	23	112-6401	1	Coupling-Hose, Washout Port
9	99-8445	2	Screw-HWH	25	112-6438	1	Washer-Seal, Washout Port
10	99-5291	1	Rod-Cover	26	3254-5	1	Washer-Tooth, Internal
11	99-5293	1	Spring-Torsion	27	3218-6	1	Nut-Jam
12	115-8449	1	Deflector-Side	29	114-7987	1	Bumper
13	115-8447	1	Chute-Discharge, Side	30	105-6849	2	Screw-Forming, Thread
14	114-7960	1	Deflector-Recycle	34	117-5928	1	Decal-Bag On Demand
15	114-7958	1	Knob-Recycle				



Rear Bag Assembly

<i>Ref.</i>	<i>Part Number</i>	<i>Qty.</i>	<i>Description</i>
1	114-2679-03	1	Frame-Bag
2	115-4673	1	Grass Bag ASM

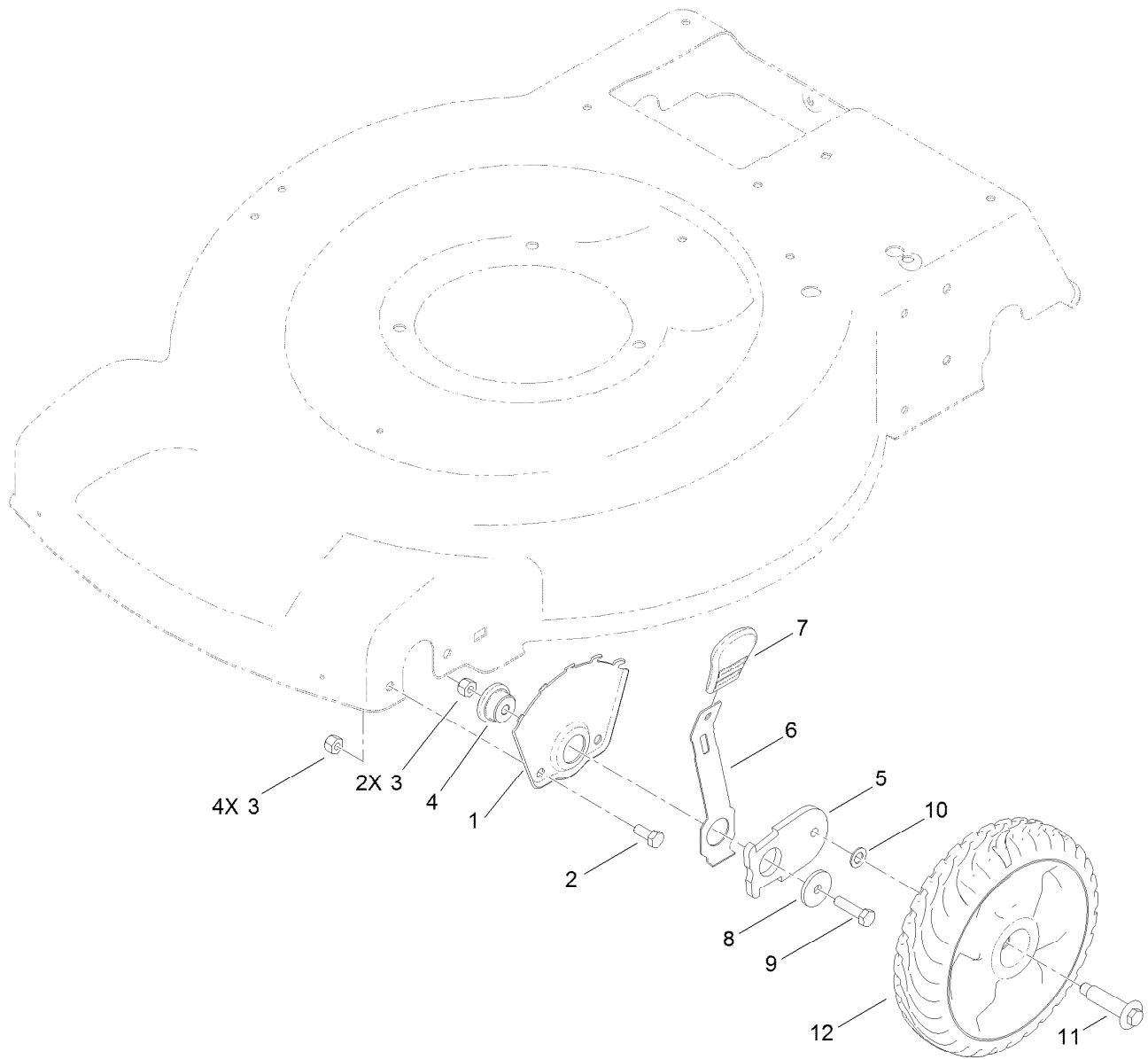


Engine and Blade Assembly

Ref.	Part Number	Qty.	Description
1		1	Engine-Briggs, 128M02-0133-F1 ●■
5	106-3999	1	Spacer-Driver
6	106-3987	1	Driver-Blade
7	108-9764-03	1	Blade-22 Inch
8	108-3766-03	1	Support-Blade
9	125-2466	1	Bolt-Blade
10	105-3030-03	1	Guide-Belt
11	95-1726	3	Screw-Taptite
12	114-7937	1	Cover-Belt
13	46-8091	2	Screw-HWH
14	2210-316	1	Stop-Rope
16	121-2371	1	Decal-Shroud
19	117-2718	1	Decal-Arrester, Spark

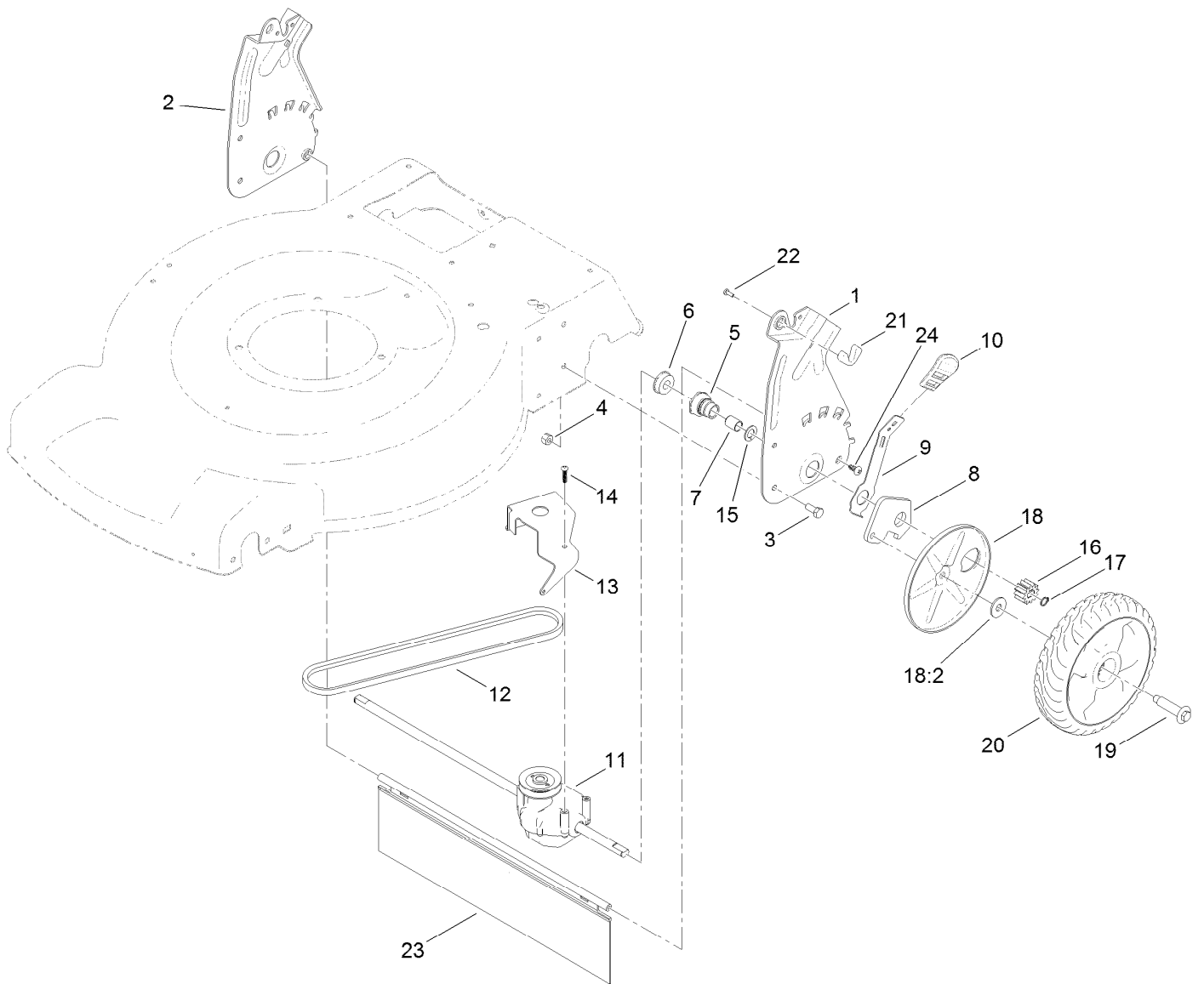
● Not serviced separately

■ Obtain parts from www.briggsandstratton.com



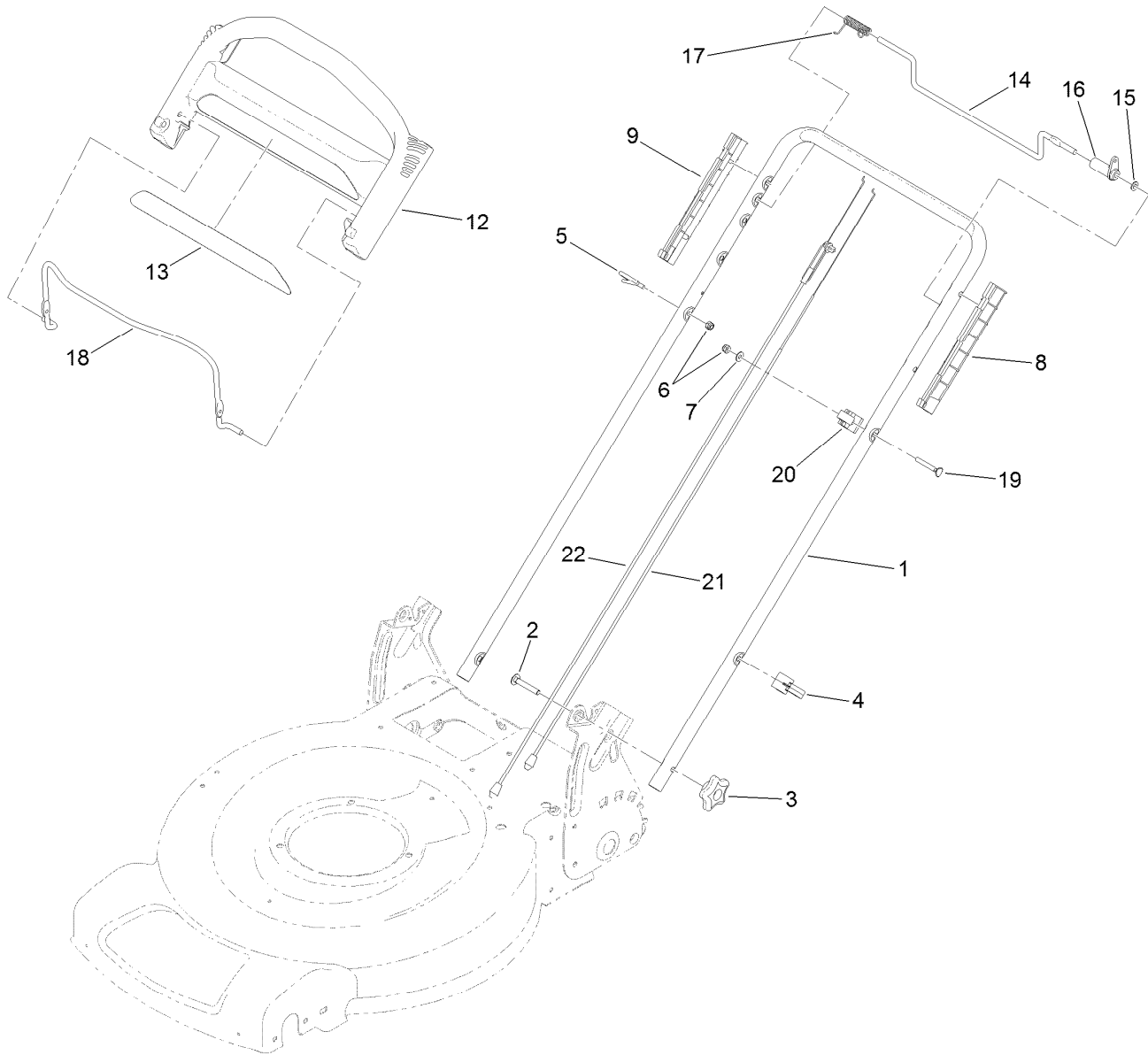
Front Wheel and Height-of-Cut Assembly

Ref.	Part Number	Qty.	Description
1	115-1956-03	2	Plate-HOC, Front
2	322-3	4	Screw-HH
3	3296-29	6	Nut-Lock, NI
4	105-1818	2	Bushing-Mount, HOC
5	105-1807	2	Arm-Pivot, Front
6	105-1809	2	Arm-Spring
7	110-0549	2	Knob-HOC
8	105-3048	2	Washer-Flat
9	322-6	2	Screw-HH
10	40-1940	2	Washer
11	614650	2	Bolt-Shoulder
12	115-2894	2	8 Inch Wheel ASM



Transmission and Rear Wheel Drive Assembly

<i>Ref.</i>	<i>Part Number</i>	<i>Qty.</i>	<i>Description</i>	<i>Ref.</i>	<i>Part Number</i>	<i>Qty.</i>	<i>Description</i>
1	114-7955-03	1	Plate-Rear, LH (HOC)	14	108-7476	3	Screw-Plastite
2	114-7956-03	1	Plate-Rear, RH (HOC)	15	110-7191	2	Washer-Thrust
3	322-3	4	Screw-HH	16	115-4668	2	Gear-Pinion
4	3296-29	4	Nut-Lock, NI	17	32151-61	2	Ring-Retaining
5	108-9779	2	Retainer-Bushing, HOC	18	110-1792	2	Wheel Cover ASM
6	104-8699	2	Bearing-Ball	18:2	614426	1	Washer-Stepped
7	108-9782	2	Bushing-Sleeve	19	614650	2	Bolt-Shoulder
8	108-9781	2	Arm-Pivot, Rear	20	115-4695	2	8 Inch Wheel Gear ASM
9	108-9780	2	Arm-Spring	21	115-8406	2	Anchor-Bag
10	110-0549	2	Knob-HOC	22	105-9437	2	Screw-PPH
11	115-4652	1	Transmission	23	120-7012	1	Shield-Trailing
12	115-4669	1	Belt-V	24	117-1092	2	Screw-PTH
13	114-7977-03	1	Bracket-Transmission				



Handle Assembly

<i>Ref.</i>	<i>Part Number</i>	<i>Qty.</i>	<i>Description</i>	<i>Ref.</i>	<i>Part Number</i>	<i>Qty.</i>	<i>Description</i>
1	119-3810-05	1	Handle	13	117-1019	1	Decal
2	3230-6	2	Screw-CARR	14	99-1588	1	Bar-Control, Traction
3	117-5976	2	Knob-Handle	15	3256-23	1	Washer-Plain
4	114-7988	1	Guide-Cable	16	99-1589	1	Lever-Traction
5	86-9671	1	Guide-Rope	17	121-9118	1	Spring-Torsion
6	3296-73	2	Nut-Lock, NI	18	104-8679-03	1	Bail-Brake
7	3256-1	1	Washer-Flat	19	95-4453	1	Screw
8	105-6842	1	Guide-LH	20	99-5239	1	Anchor-Cable
9	105-6841	1	Guide-RH	21	115-8435	1	Cable-Traction
12	104-8678	1	Handle-Control	22	115-8437	1	Cable-Brake

Attachments and Accessories

For 20332 22in Recycler Lawn Mower

Product Name	Model/Part
Traction Assist Handle Kit	108-8120
Loose Parts Kit	117-4124
Toro WPM Maintenance Kit	20234
Replacement Bag	59310
Replacement Frame and Bag Kit	59312
22 Inch Atomic Blade	59534P

Notes:



Count on it.