



Count on it.

Parts Catalog

Super Recycler®

Lawn Mower

Model No. 20384—Serial No. 313000001 and Up



Ordering Replacement Parts

To order replacement parts, please supply the part number, the quantity, and the description of each part desired.

Understanding Reference Numbers

Each identified part in an illustration has a reference number. The reference number for a part also appears in the parts list, along with other information about the part.

This catalog uses two special reference number formats, one to indicate parts in a service assembly and another to indicate the quantity of a given part in an illustration.

Service Assembly Reference Numbers

Parts in service assemblies have reference numbers in the form a:b. The a represents the reference number of the entire service assembly and the b represents a sequential number unique to each part within the service assembly.

For example, a wheel assembly might be identified by reference number 6, the tire by 6:1, the valve by 6:2, and the wheel by 6:3. When you order the assembly identified by reference number 6, you receive all parts identified by reference numbers 6:1, 6:2, and 6:3. However, you may also order any part individually. Reference numbers of this type appear in illustration and in parts lists.

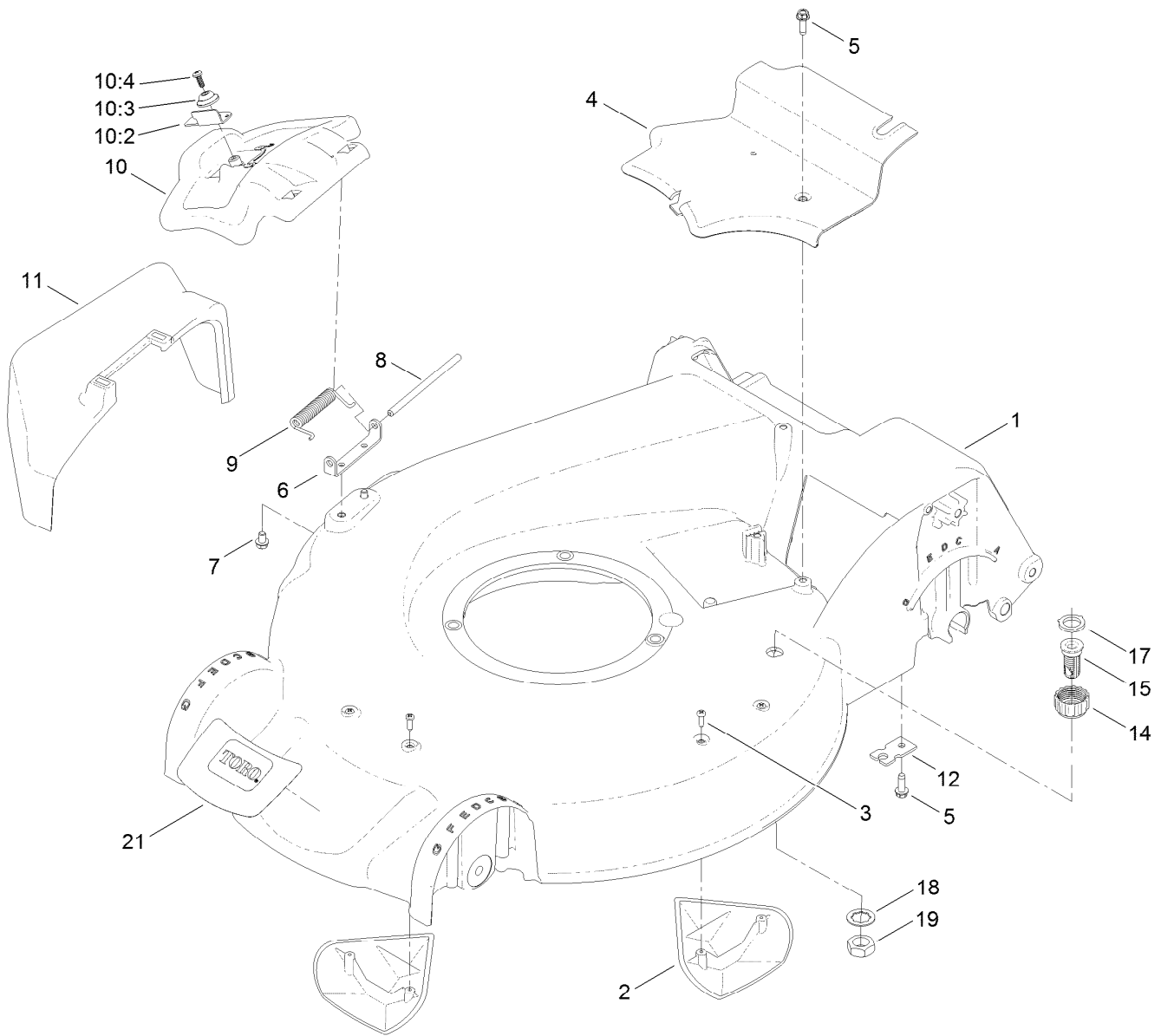
Reference Numbers Indicating Quantity

In an illustration, if a reference number indicates more than one part, the reference number has the form nX y. The n represents the quantity of the part, the X is the multiplication symbol, and the y represents the reference number.

For example, in an illustration, the reference number 2X 37 means that two of the parts identified by reference number 37 are indicated.

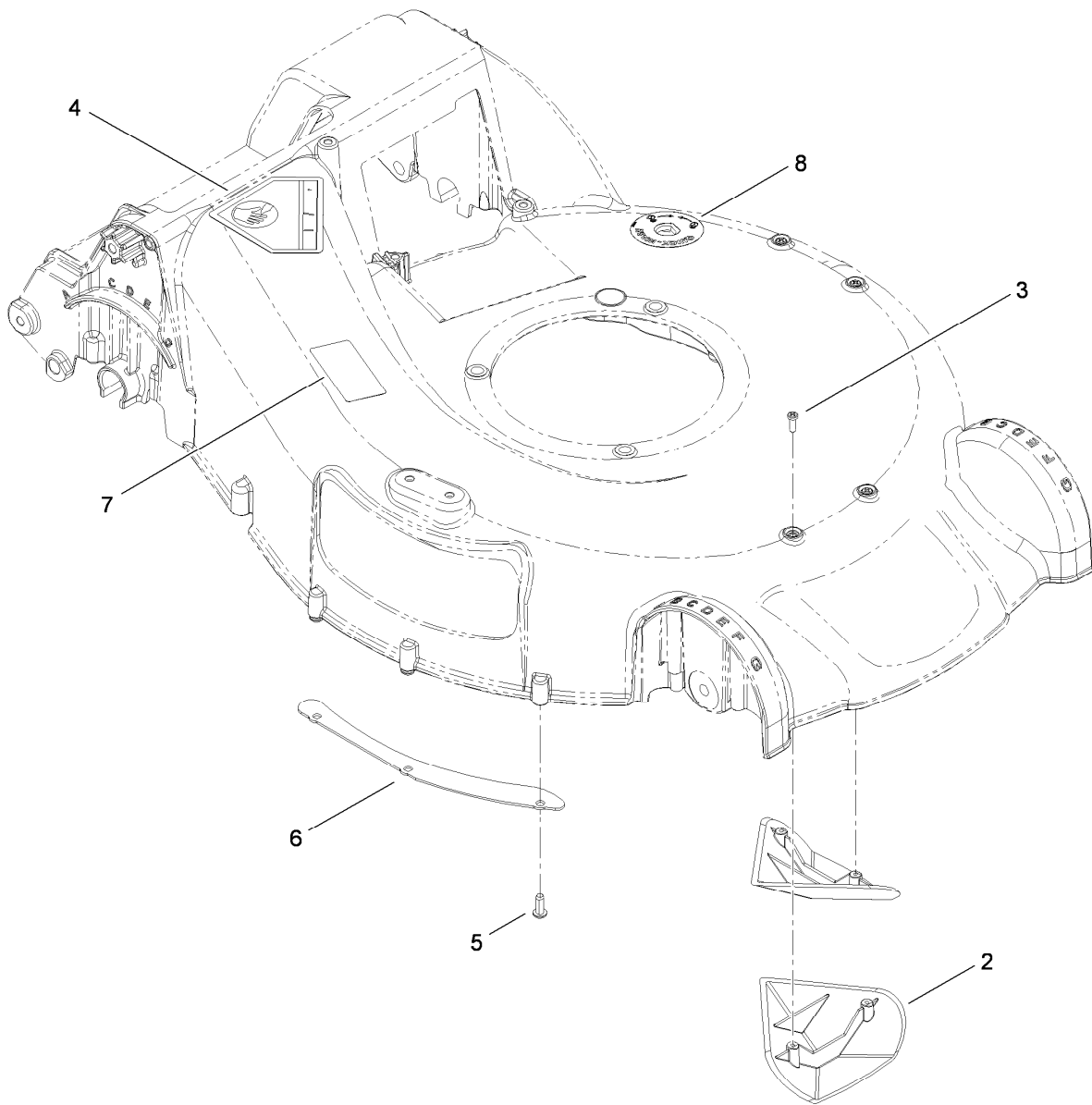
Contents

Housing Assembly	4
Housing Assembly No. 115-2854	5
Rear Door and Mulch Plug Assembly	6
Bag Assembly	7
Engine and Blade Assembly	8
Shroud, Flywheel and Fuel Tank Assembly	9
Dipstick, Brake and Governor Arm Assembly	10
Carburetor, Muffler, Air Cleaner and Valve Cover Assembly	11
Front Wheel and Height-of-Cut Assembly	12
Rear Wheel and Height-of-Cut Assembly	13
Handle Assembly	14
Electrical Assembly	15
Attachments and Accessories	16



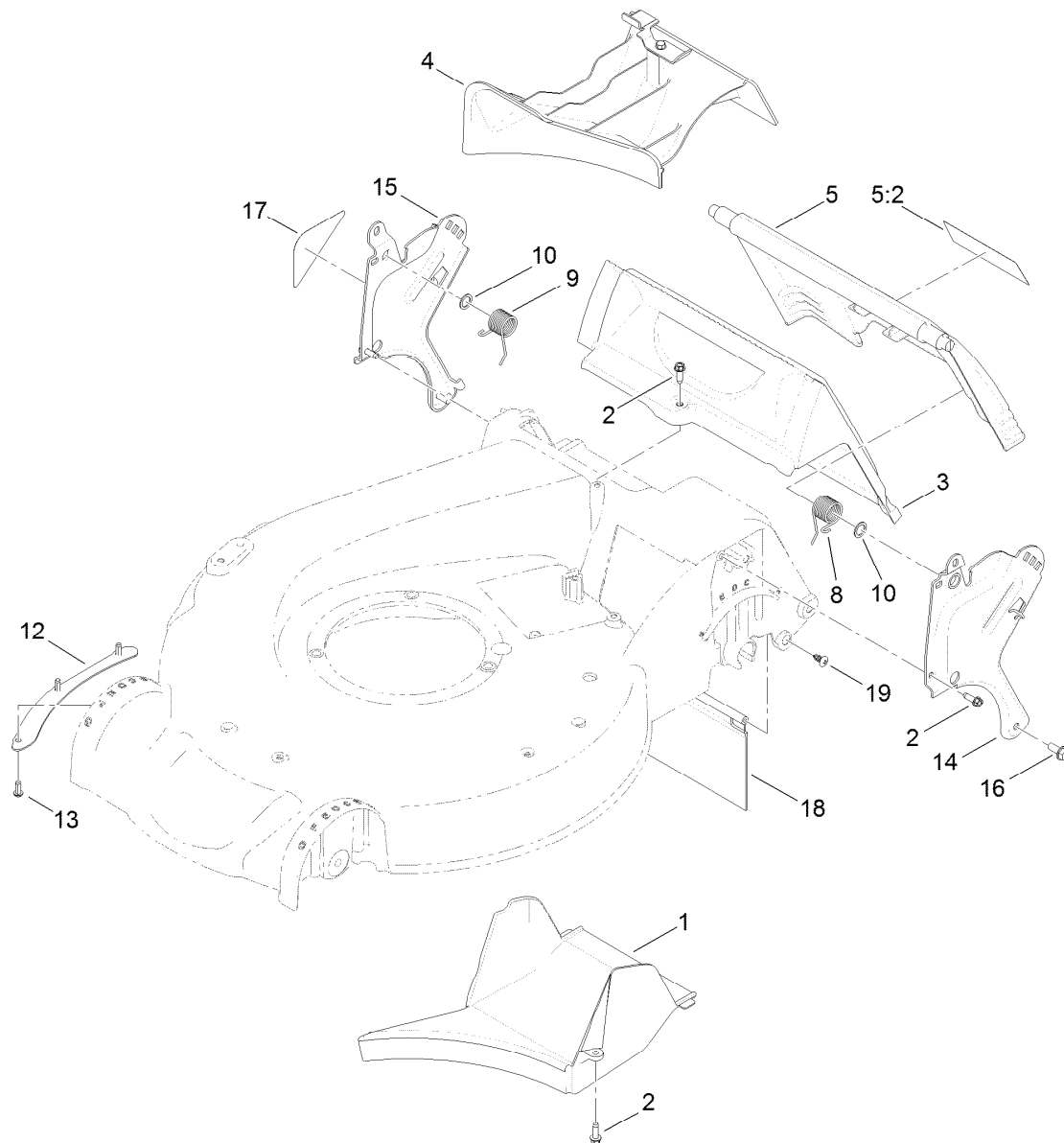
Housing Assembly

<i>Ref.</i>	<i>Part Number</i>	<i>Qty.</i>	<i>Description</i>	<i>Ref.</i>	<i>Part Number</i>	<i>Qty.</i>	<i>Description</i>
1	115-2854	1	Housing ASM	10:3	107-7456	1	Cap-Door
2	108-3798	2	Kicker-Housing	10:4	107-7461	1	Screw-Plastite
3	32144-111	4	Screw-PPH	11	108-3753	1	Chute-Discharge, Side
4	107-7494	1	Cover-Belt	12	107-7497	1	Bracket-Cable, Traction
5	49-2040	2	Screw-HWHTF	14	112-6401	1	Coupling-Hose, Washout Port
6	112-6416	1	Bracket-Cover	15	112-6400	1	Port-Washout
7	99-8445	2	Screw-HWH	17	112-6438	1	Washer-Seal, Washout Port
8	99-5291	1	Rod-Cover	18	3254-5	1	Washer-Tooth, Internal
9	99-5293	1	Spring-Torsion	19	3218-6	1	Nut-Jam
10	107-3717	1	Discharge Door ASM	21	121-5758	1	Decal-Deck
10:2	107-0795	1	Latch-Door				



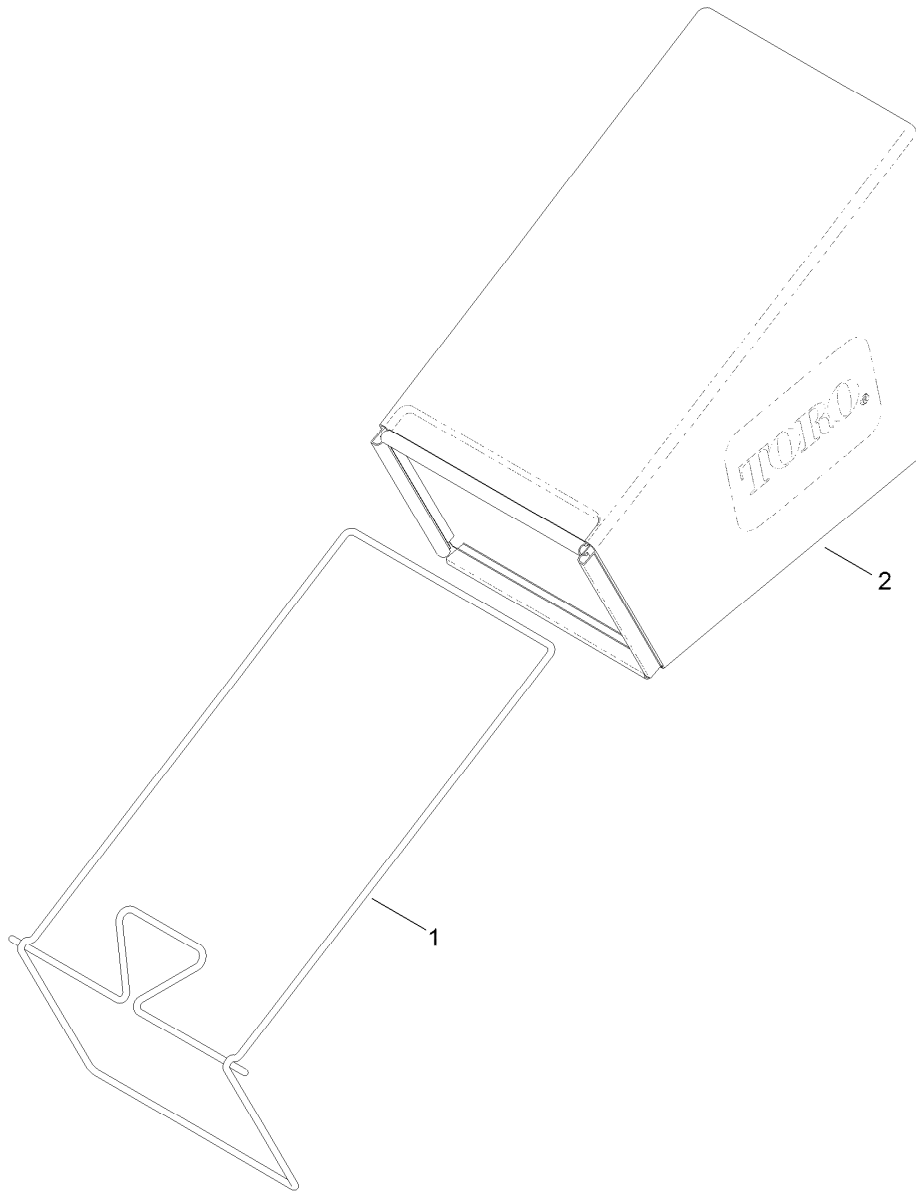
Housing Assembly No. 115-2854

<i>Ref.</i>	<i>Part Number</i>	<i>Qty.</i>	<i>Description</i>
2	108-3798	2	Kicker-Housing
3	32144-111	4	Screw-PPH
4	94-8072	1	Decal-Danger
5	63-8590	3	Screw
6	105-1316-03	1	Sheet-Lip
7	108-8117	1	Decal-Placement, Foot
8	112-8867	1	Decal-Port, Washout



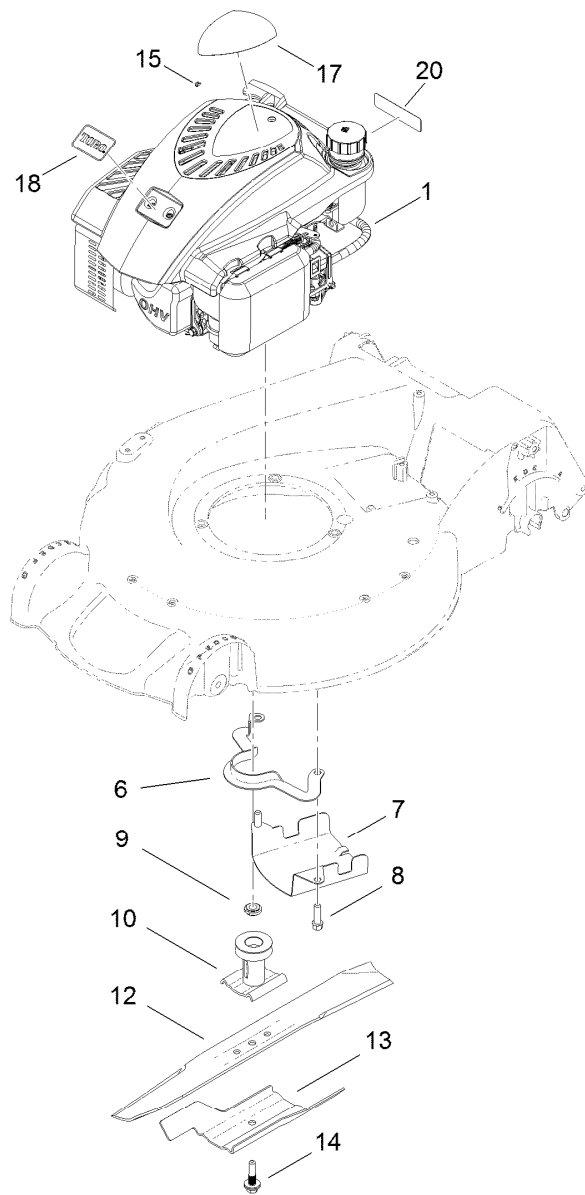
Rear Door and Mulch Plug Assembly

<i>Ref.</i>	<i>Part Number</i>	<i>Qty.</i>	<i>Description</i>	<i>Ref.</i>	<i>Part Number</i>	<i>Qty.</i>	<i>Description</i>
1	107-7495	1	Tunnel-Discharge	12	105-1316-03	1	Sheet-Lip
2	49-2040	5	Screw-HWHTF	13	63-8590	3	Screw
3	114-2668	1	Chute	14	114-2671-03	1	Bracket-Handle, LH
4	115-8413	1	Mulch Plug ASM	15	114-2672-03	1	Bracket-Handle, RH
5	121-5776	1	Rear Door ASM	16	32144-11	2	Screw-HWHTF
5:2	114-7982	1	Decal-Warning	17	115-2884	1	Decal-Instruction
8	115-2859	1	Spring-Torsion	18	120-7011	1	Shield-Trailing
9	114-7924	1	Spring-Torsion	19	117-1092	2	Screw-PTH
10	94-8196	2	Washer-Nylon				



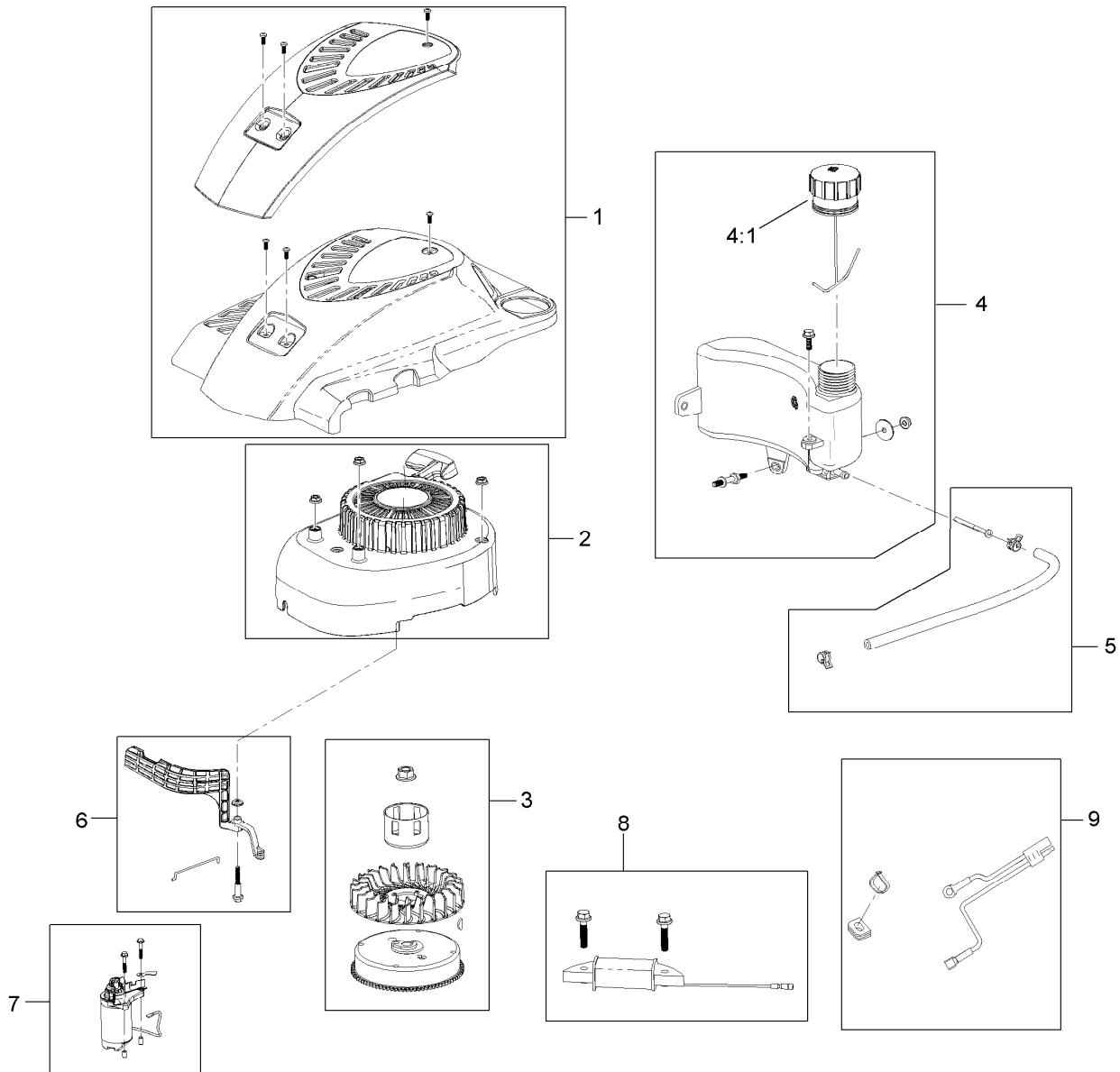
Bag Assembly

<i>Ref.</i>	<i>Part Number</i>	<i>Qty.</i>	<i>Description</i>
1	121-2333-03	1	Frame-Bag
2	114-2664	1	Grass Bag ASM



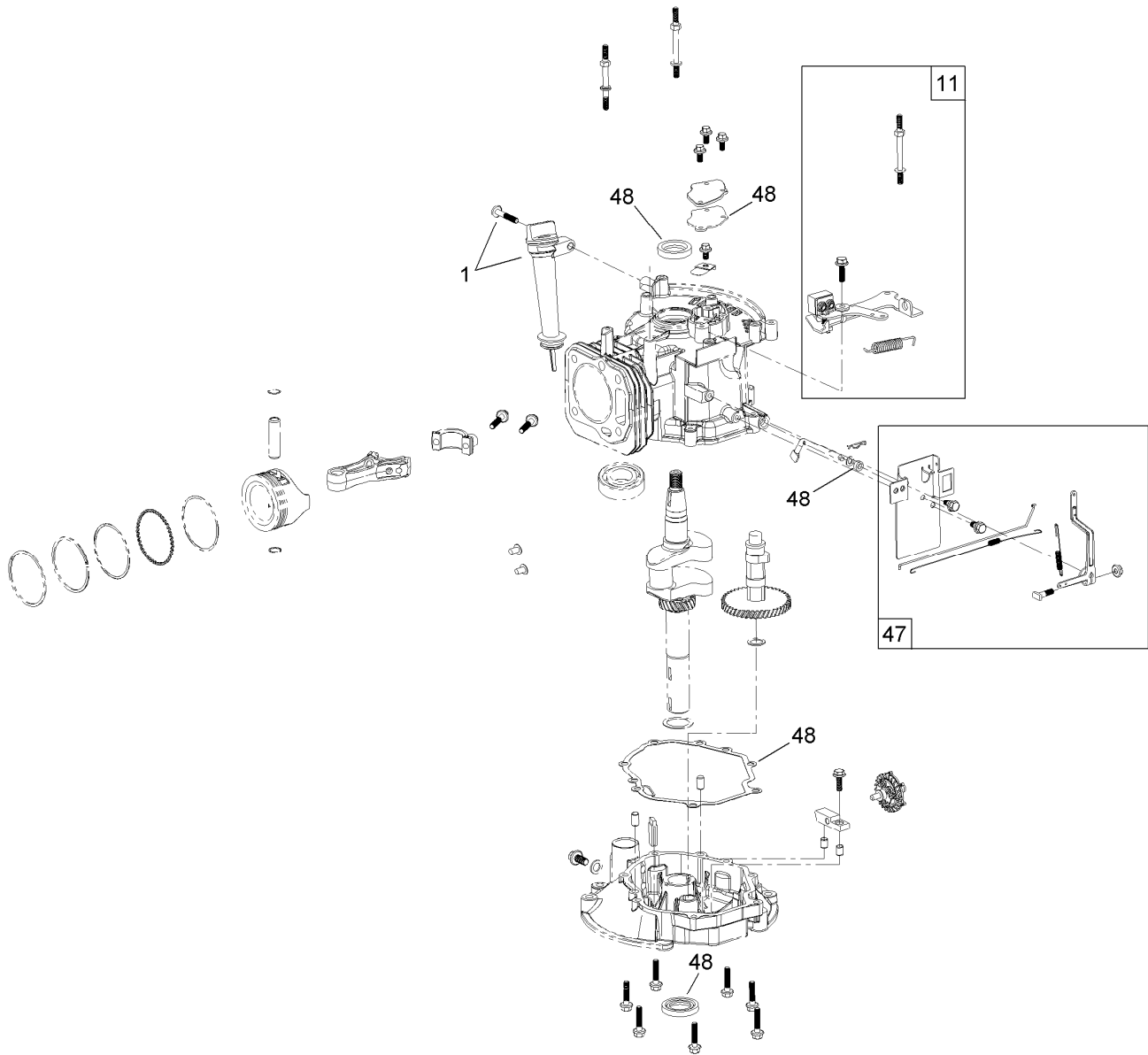
Engine and Blade Assembly

Ref.	Part Number	Qty.	Description
1	120-4413	1	Engine-1P65Fc
6	108-8110-03	1	Guide-Belt
7	107-7489-03	1	Shield-Grass
8	95-1727	3	Screw-Taptite
9	106-3999	1	Spacer-Driver
10	106-3987	1	Driver-Blade
12	108-3762-03	1	Blade-Recycling
13	105-6848-03	1	Accelerator-Blade
14	125-2466	1	Bolt-Blade
15	92-1701	1	Stop-Rope
17	125-5036	1	Decal-Shroud
18	121-2396	1	Decal
20	117-2718	1	Decal-Arrester, Spark



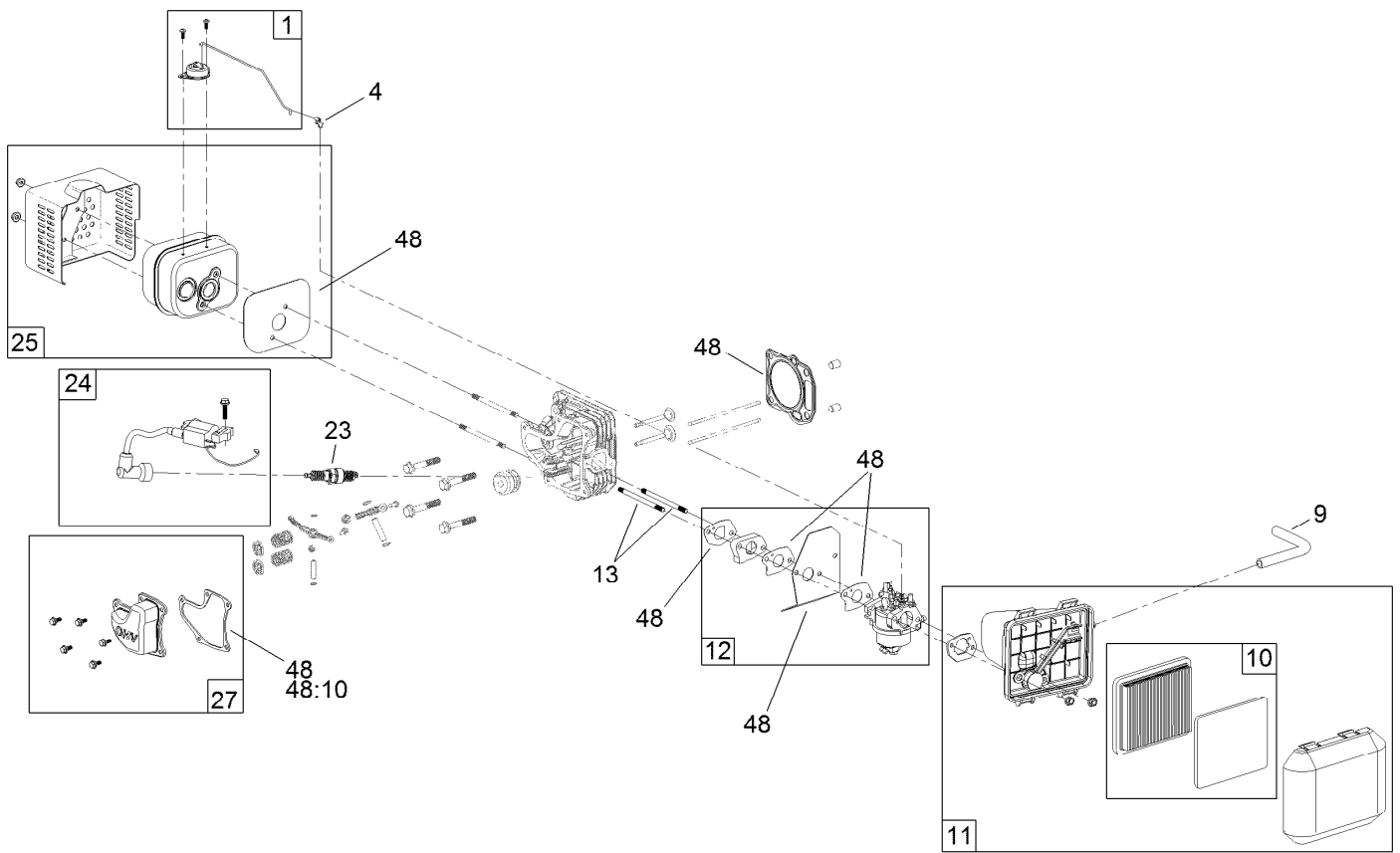
Shroud, Flywheel and Fuel Tank Assembly

Ref.	Part Number	Qty.	Description
1	119-1990	1	Shroud ASM
2	121-4160	1	Recoil And Blower Shroud Kit
3	121-0391	1	Flywheel And Fan Kit
4	121-4162	1	Fuel Tank Kit
4:1	121-4163	1	Cap-Fuel
5	121-4167	1	Fuel Line Kit
6	121-4168	1	Air Vane Kit
7	121-0393	1	Starter Kit
8	121-0392	1	Alternator Kit
9	121-0395	1	Wire Harness Kit



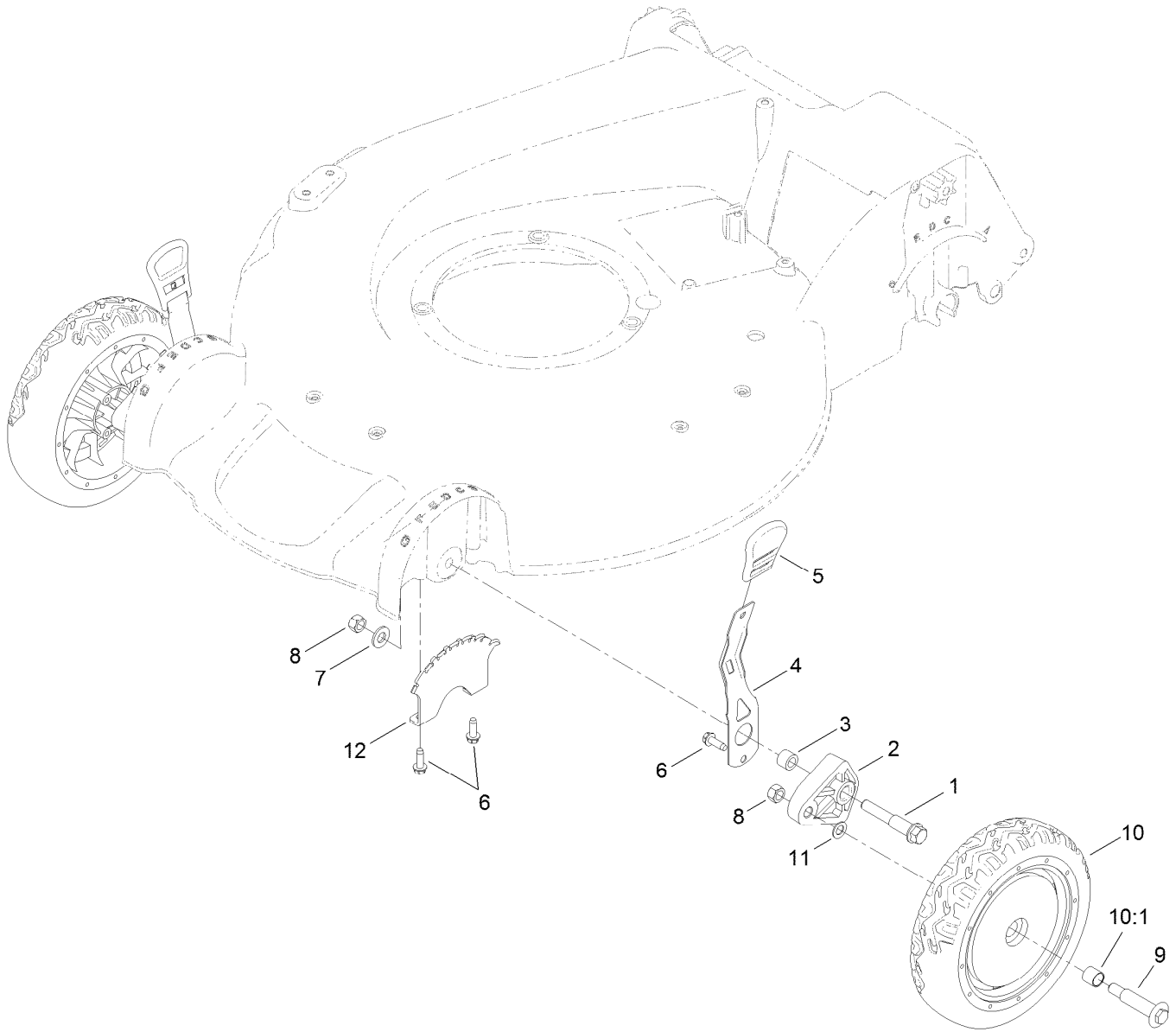
Dipstick, Brake and Governor Arm Assembly

<i>Ref.</i>	<i>Part Number</i>	<i>Qty.</i>	<i>Description</i>
1	119-1903	1	Dipstick And Fill Tube Kit
11	121-4205	1	Brake Kit
47	119-1968	1	Governor Arm Kit
48	127-9144	1	Seal And Gasket Kit



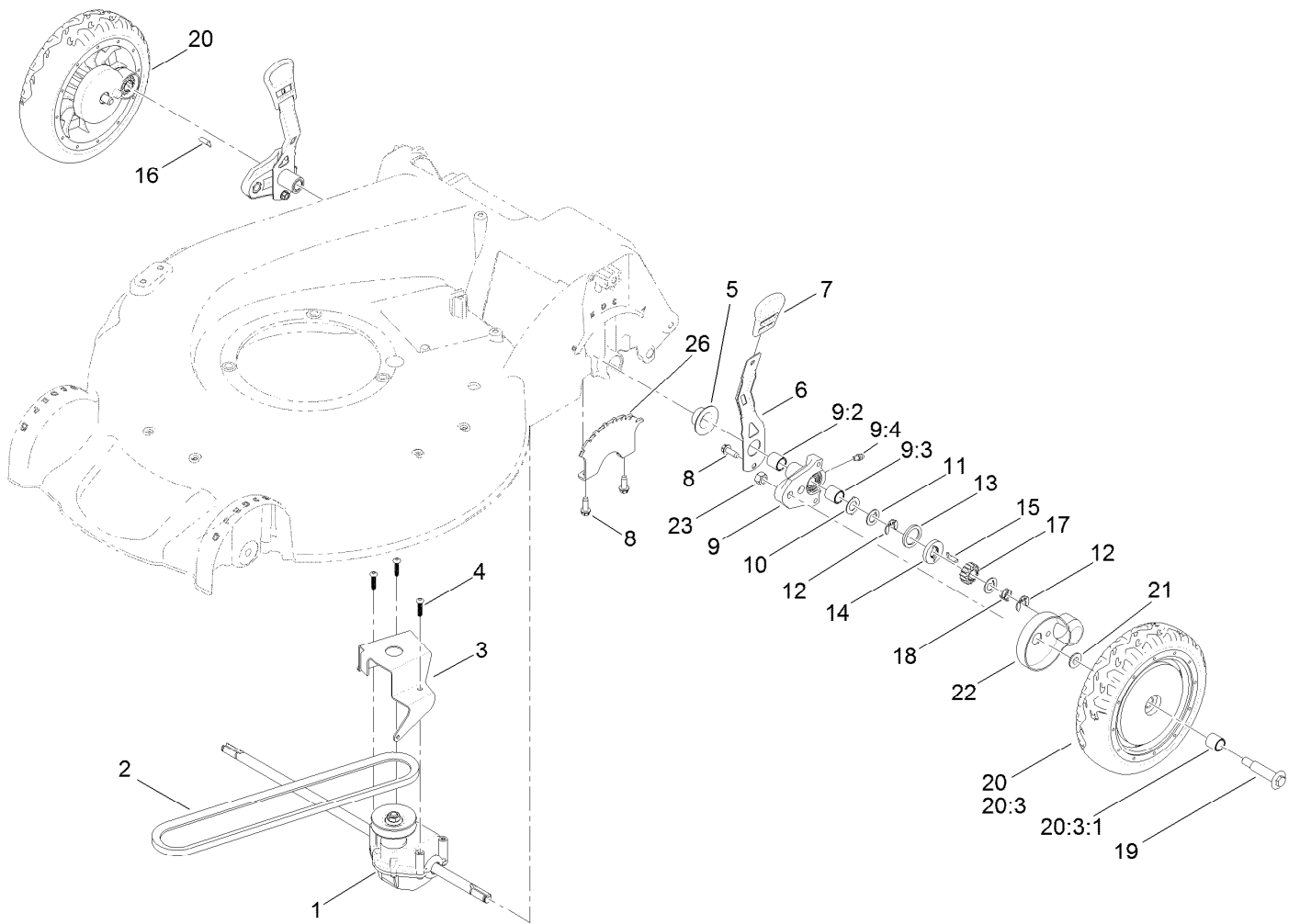
Carburetor, Muffler, Air Cleaner and Valve Cover Assembly

Ref.	Part Number	Qty.	Description
1	121-4175	1	Thermal Control Kit
4	120-4451	1	Lock-Throttle
9	119-1902	1	Tube-Breather
10	119-1909	1	Air Filter And Prefilter Kit
11	121-4177	1	Air Cleaner ASM Kit
12	120-4405	1	Carburetor Repair Kit
12	121-4181	1	Carburetor Complete Kit
13	121-0367	2	Stud-Intake
23	121-4199	1	Spark Plug
24	121-4186	1	Ignition Kit
25	119-1969	1	Muffler And Shield Kit
27	121-4188	1	Valve Cover Kit
48	127-9144	1	Seal And Gasket Kit
48:10	121-4190	1	Gasket-Valve Cover



Front Wheel and Height-of-Cut Assembly

Ref.	Part Number	Qty.	Description
1	114-3467	2	Screw-Shoulder
2	107-7492	2	Arm-Pivot
3	52-2480	2	Spacer-Wheel
4	107-7491	2	Arm-Spring
5	110-0549	2	Knob-HOC
6	49-2040	6	Screw-HWHTF
7	3256-24	2	Washer-Flat
8	603773	4	Nut
9	92-1057	2	Bolt-Shoulder
10	107-3708	2	Wheel ASM
10:1	27-6250	2	Bushing
11	40-1940	2	Washer
12	107-7478	2	Plate-HOC

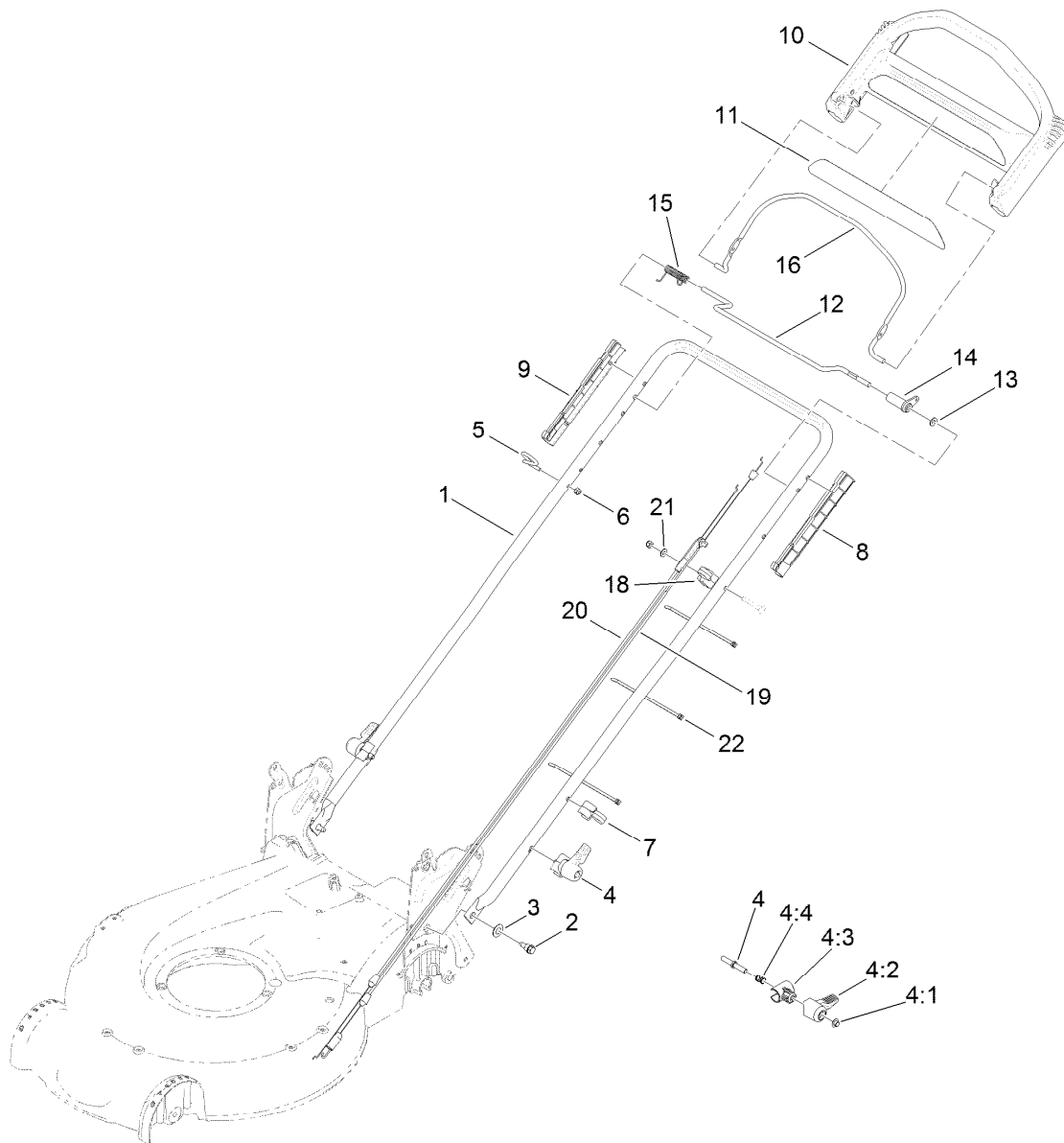


Rear Wheel and Height-of-Cut Assembly

Ref.	Part Number	Qty.	Description
1	121-9184	1	Transmission ASM
2	92-1043	1	V-Belt
3	114-7977-03	1	Bracket-Transmission
4	108-7476	3	Screw-Plastite
5	42-3520	2	Cap-End
6	107-7491	2	Arm-Spring
7	110-0549	2	Knob-HOC
8	49-2040	6	Screw-HWHTF
9	100-8774	2	Pivot Arm ASM
9:2	47-2900	1	Bushing
9:3	70-9760	1	Bushing
9:4	302-56	1	Fitting-Grease
10	65-4730	2	Washer-Arm, Pivot
11	65-4740	4	Washer-Thrust, Keyed
12	65-2720	4	Ring-Clip, Locking

Ref.	Part Number	Qty.	Description
13	65-4710	2	Ring-Friction
14	65-4760	2	Washer-Clutch
15	66-6050	1	Key-Rocking, LH
16	66-6040	1	Key-Rocking, RH
17	65-4750	2	Gear-Pinion
18	65-4720	2	Spring-Compression
19	92-1057	2	Bolt-Shoulder
20	107-3709	2	Wheel Gear ASM
20:3		1	Wheel ASM ●
20:3:1	27-6250	2	Bushing
21	74-1671	2	Spacer-Cover, Wheel
22	74-1660	2	Cover-Wheel
23	603773	2	Nut
26	107-7478	2	Plate-HOC

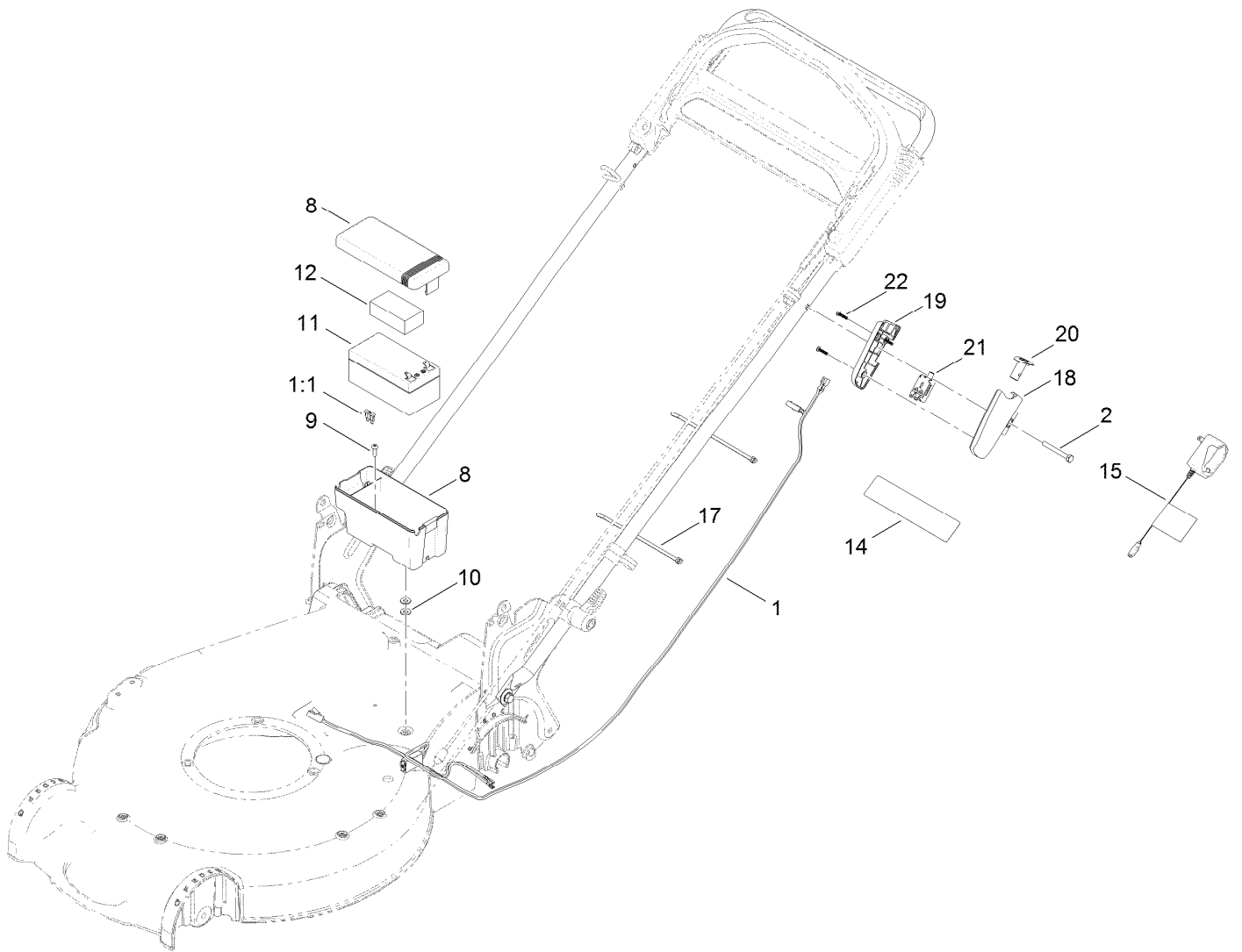
● Not serviced separately



Handle Assembly

Ref.	Part Number	Qty.	Description
1	121-9167-05	1	Handle
2	115-1958	2	Bolt-Shoulder
3	112-9972	2	Washer-Spring, Conical
4	115-2860	2	Quick Release ASM
4:1	109-0917	1	Nut-Push
4:2	114-7995	1	Lever
4:3	114-7996	1	Anchor-Spring
4:4	115-2858	1	Spring-Compression
5	86-9671	1	Guide-Rope
6	3296-73	2	Nut-Lock, NI
7	114-7988	1	Guide-Cable
8	105-6842	1	Guide-LH
9	105-6841	1	Guide-RH

Ref.	Part Number	Qty.	Description
10	104-8678	1	Handle-Control
11	117-1019	1	Decal
12	99-1588	1	Bar-Control, Traction
13	3256-23	1	Washer-Plain
14	99-1589	1	Lever-Traction
15	121-9118	1	Spring-Torsion
16	104-8679-03	1	Bail-Brake
18	99-5239	1	Anchor-Cable
19	108-8158	1	Cable-Traction
20	117-5900	1	Cable-Brake
21	3256-1	1	Washer-Flat
22	614249	3	Tie-Cable



Electrical Assembly

<i>Ref.</i>	<i>Part Number</i>	<i>Qty.</i>	<i>Description</i>	<i>Ref.</i>	<i>Part Number</i>	<i>Qty.</i>	<i>Description</i>
1	125-5025	1	Harness-Wire	14	104-7953	1	Decal-Warning
1:1	99-6124	1	Fuse-40 Amp	15	114-1588	1	Charger-Battery
2	321-50	1	Screw-HH	17	614249	2	Tie-Cable
8	108-4844	1	Battery Box ASM	18	125-2468	1	Housing-Switch, LH
9	32144-32	1	Screw	19	125-2469	1	Housing-Switch, RH
10	3256-22	2	Washer-Flat	20	125-2470	1	Button-Switch
11	106-8397	1	Battery-Wet	21	121-9173	1	Switch-Push Button
12	107-3774	1	Foam-Battery, Top	22	94-4496	3	Screw-PPH

Attachments and Accessories

For 20384 Super Recycler Lawn Mower

Product Name	Model/Part
Bagging Blade	108-3759-03
Traction Assist Handle Kit.....	108-8120
Engine Maintenance Kit.....	20240
Lawnmower Cover.....	490-7462

Notes:

Notes:

Notes:



Count on it.