



Count on it.

Parts Catalog

Super Recycler®

Lawn Mower

Model No. 20383—Serial No. 40000000 and Up



Ordering Replacement Parts

To order replacement parts, please supply the part number, the quantity, and the description of each part desired.

Understanding Reference Numbers

Each identified part in an illustration has a reference number. The reference number for a part also appears in the parts list, along with other information about the part.

This catalog uses two special reference number formats, one to indicate parts in a service assembly and another to indicate the quantity of a given part in an illustration.

Service Assembly Reference Numbers

Parts in service assemblies have reference numbers in the form a:b. The a represents the reference number of the entire service assembly and the b represents a sequential number unique to each part within the service assembly.

For example, a wheel assembly might be identified by reference number 6, the tire by 6:1, the valve by 6:2, and the wheel by 6:3. When you order the assembly identified by reference number 6, you receive all parts identified by reference numbers 6:1, 6:2, and 6:3. However, you may also order any part individually. Reference numbers of this type appear in illustration and in parts lists.

Reference Numbers Indicating Quantity

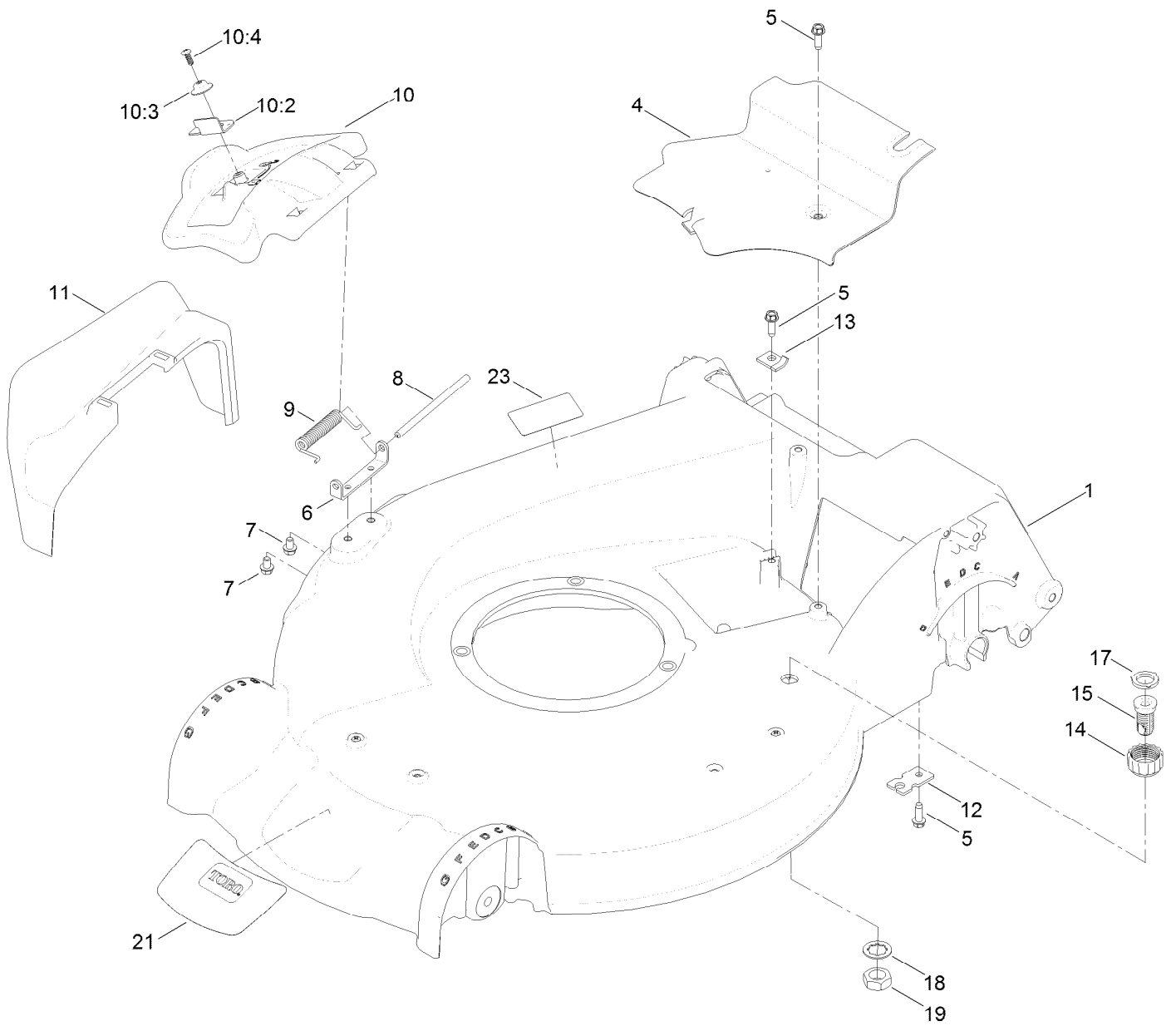
In an illustration, if a reference number indicates more than one part, the reference number has the form nX y. The n represents the quantity of the part, the X is the multiplication symbol, and the y represents the reference number.

For example, in an illustration, the reference number 2X 37 means that two of the parts identified by reference number 37 are indicated.

Contents

Housing Assembly	4
Housing Assembly No. 115-2854	6
Rear Door and Mulch Plug Assembly	8
Bag Assembly	10
Engine and Blade Assembly	12
Fuel System and Carburetor Assembly	14
Air Intake and Filtration Assembly	16
Ignition and Electrical Assembly	18
Crankcase Assembly	20
Governor Control Assembly	22
Piston and Cylinder Head Assembly	24
Blower Housing Assembly	26
Front Wheel and Height-of-Cut Assembly	28
Rear Wheel and Height-of-Cut Assembly	30
Handle Assembly	32
Brake Control Assembly	34
Attachments and Accessories	36

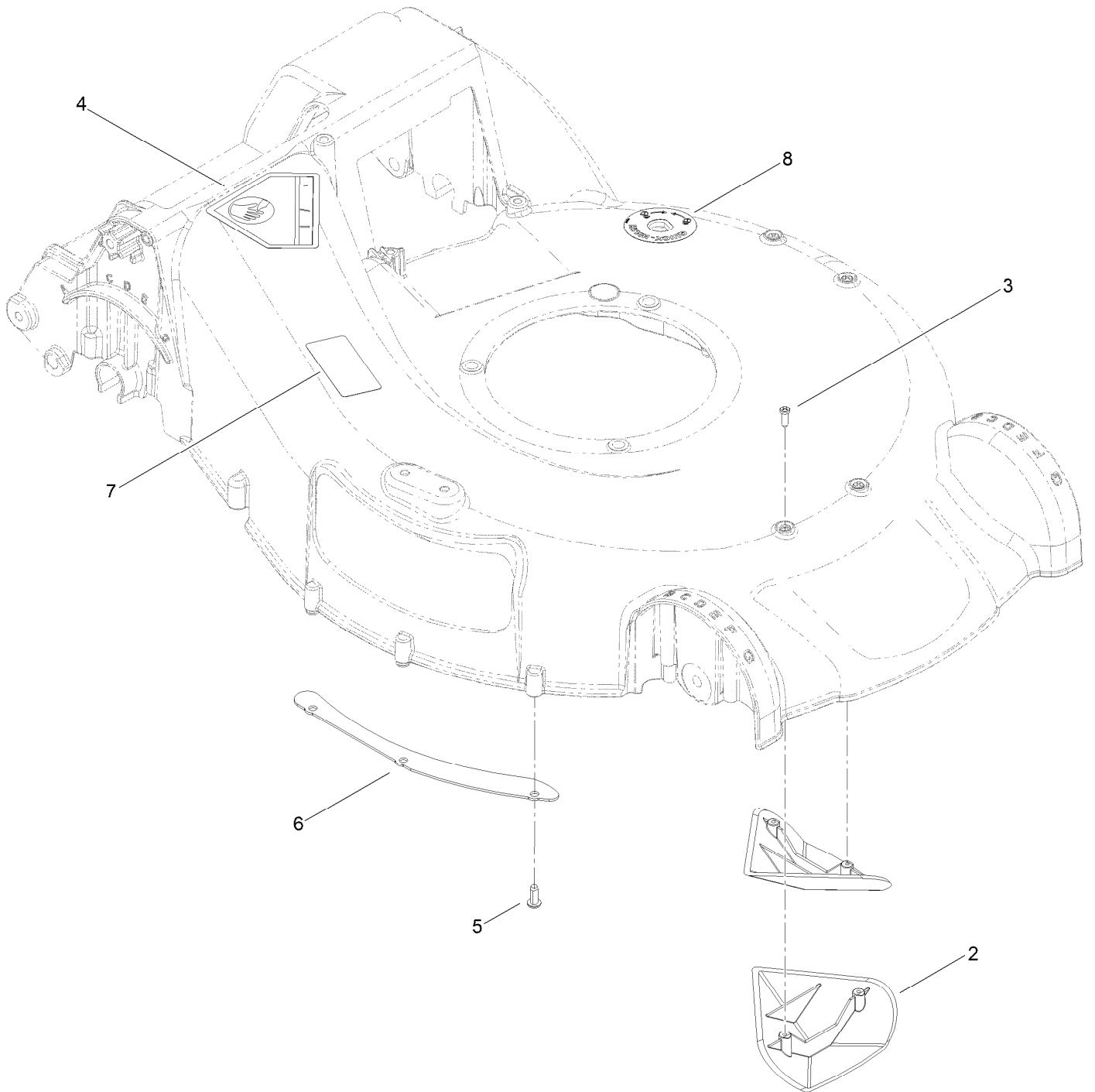
Housing Assembly



Housing Assembly (continued)

<i>Ref.</i>	<i>Part Number</i>	<i>Qty.</i>	<i>Description</i>	<i>Ref.</i>	<i>Part Number</i>	<i>Qty.</i>	<i>Description</i>
1	115-2854	1	Housing ASM	11	108-3753	1	Chute-Discharge, Side
4	107-7494	1	Cover-Belt	12	107-7497	1	Bracket-Cable, Traction
5	49-2040	3	Screw-HWHTF	13	62-3720	1	Clamp-Cable
6	112-6416	1	Bracket-Cover	14	112-6401	1	Coupling-Hose, Washout Port
7	99-8445	2	Screw-HWH	15	112-6400	1	Port-Washout
8	99-5291	1	Rod-Cover	17	112-6438	1	Washer-Seal, Washout Port
9	99-5293	1	Spring-Torsion	18	3254-5	1	Washer-Tooth, Internal
10	107-3717	1	Discharge Door ASM	19	3218-6	1	Nut-Jam
10:2	107-0795	1	Latch-Door	21	136-7097	1	Decal-Deck
10:3	107-7456	1	Cap-Door	23	125-5092	1	Decal-Placement, Foot
10:4	107-7461	1	Screw-Plastite				

Housing Assembly No. 115-2854

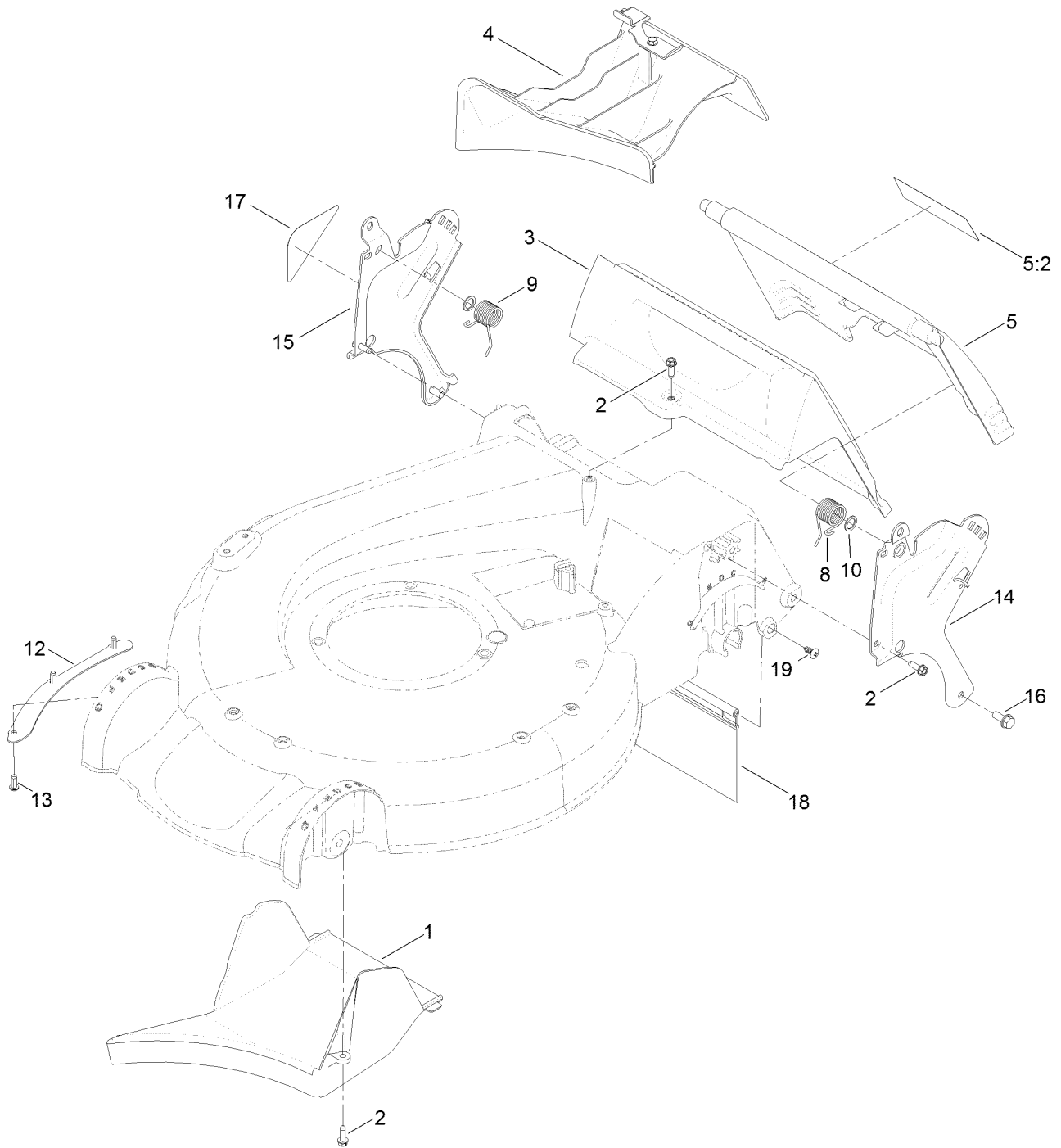


Housing Assembly No. 115-2854 (continued)

<i>Ref.</i>	<i>Part Number</i>	<i>Qty.</i>	<i>Description</i>
2	108-3798	2	Kicker-Housing
3	32144-111	4	Screw-PPH
4	94-8072	1	Decal-Danger
5	63-8590	3	Screw

<i>Ref.</i>	<i>Part Number</i>	<i>Qty.</i>	<i>Description</i>
6	105-1316-03	1	Sheet-Lip
7	125-5092	1	Decal-Placement, Foot
8	112-8867	1	Decal-Port, Washout

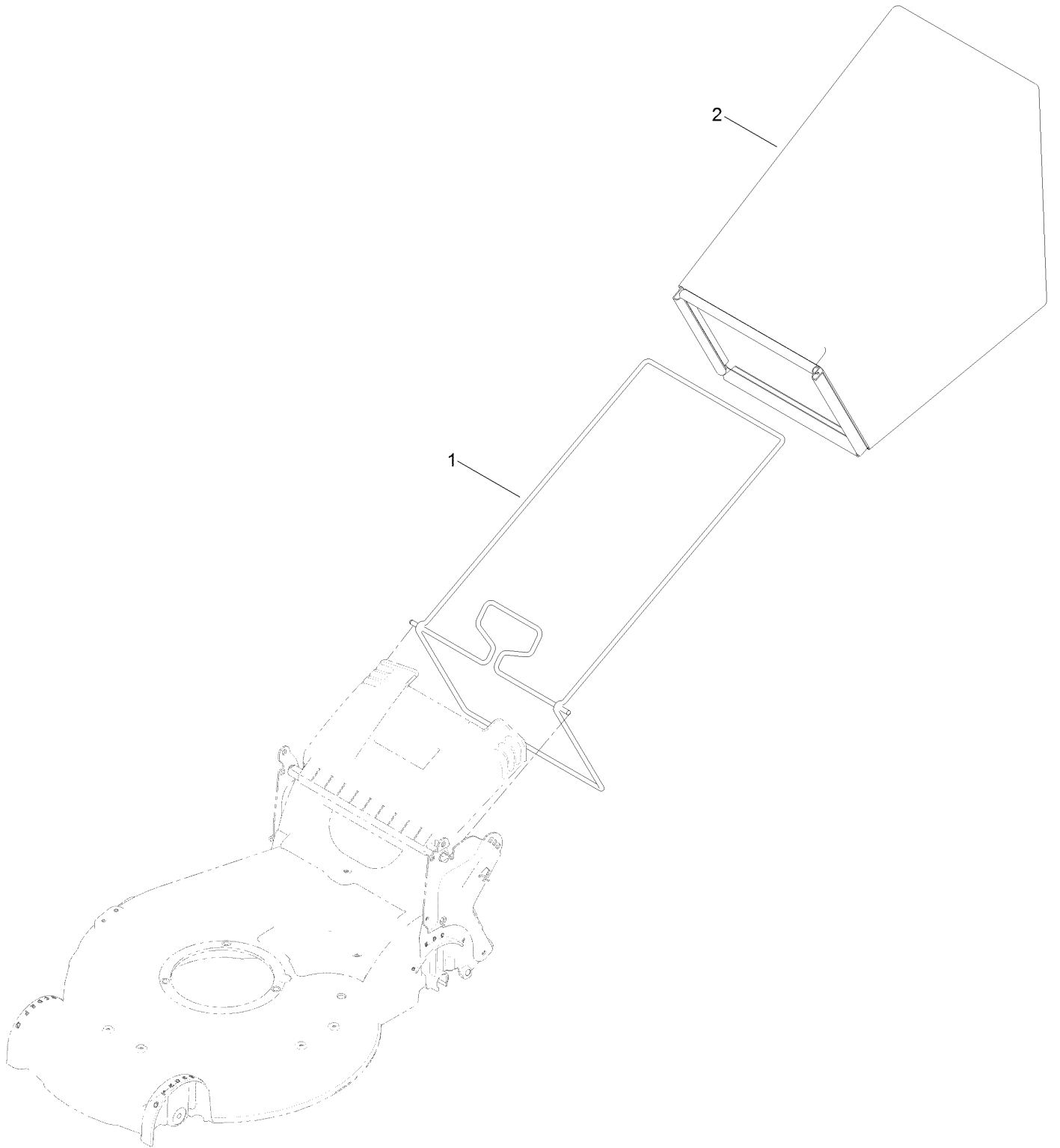
Rear Door and Mulch Plug Assembly



Rear Door and Mulch Plug Assembly (continued)

<i>Ref.</i>	<i>Part Number</i>	<i>Qty.</i>	<i>Description</i>	<i>Ref.</i>	<i>Part Number</i>	<i>Qty.</i>	<i>Description</i>
1	107-7495	1	Tunnel-Discharge	12	105-1316-03	1	Sheet-Lip
2	49-2040	5	Screw-HWHTF	13	63-8590	3	Screw
3	114-2668	1	Chute	14	114-2671-03	1	Bracket-Handle, LH
4	115-8413	1	Mulch Plug ASM	15	114-2672-03	1	Bracket-Handle, RH
5	121-5776	1	Rear Door ASM	16	32144-11	2	Screw-HWHTF
5:2	131-4514	1	Decal-Warning	17	115-2884	1	Decal-Instruction
8	115-2859	1	Spring-Torsion	18	120-7011	1	Shield-Trailing
9	114-7924	1	Spring-Torsion	19	117-1092	2	Screw-PTH
10	94-8196	2	Washer-Nylon				

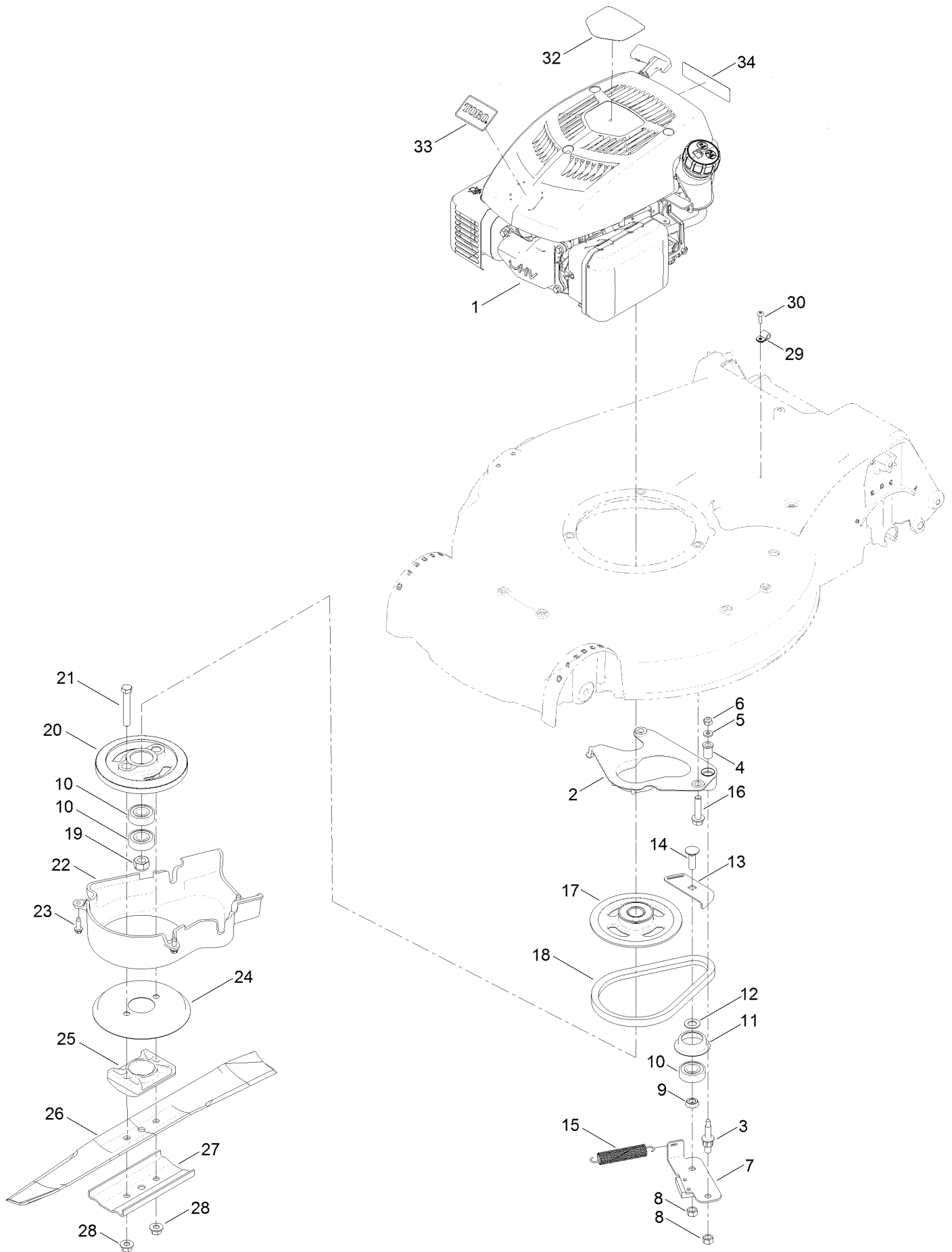
Bag Assembly



Bag Assembly (continued)

<i>Ref.</i>	<i>Part Number</i>	<i>Qty.</i>	<i>Description</i>
1	132-4529-03	1	Bag Frame ASM
2	114-2664	1	Grass Bag ASM

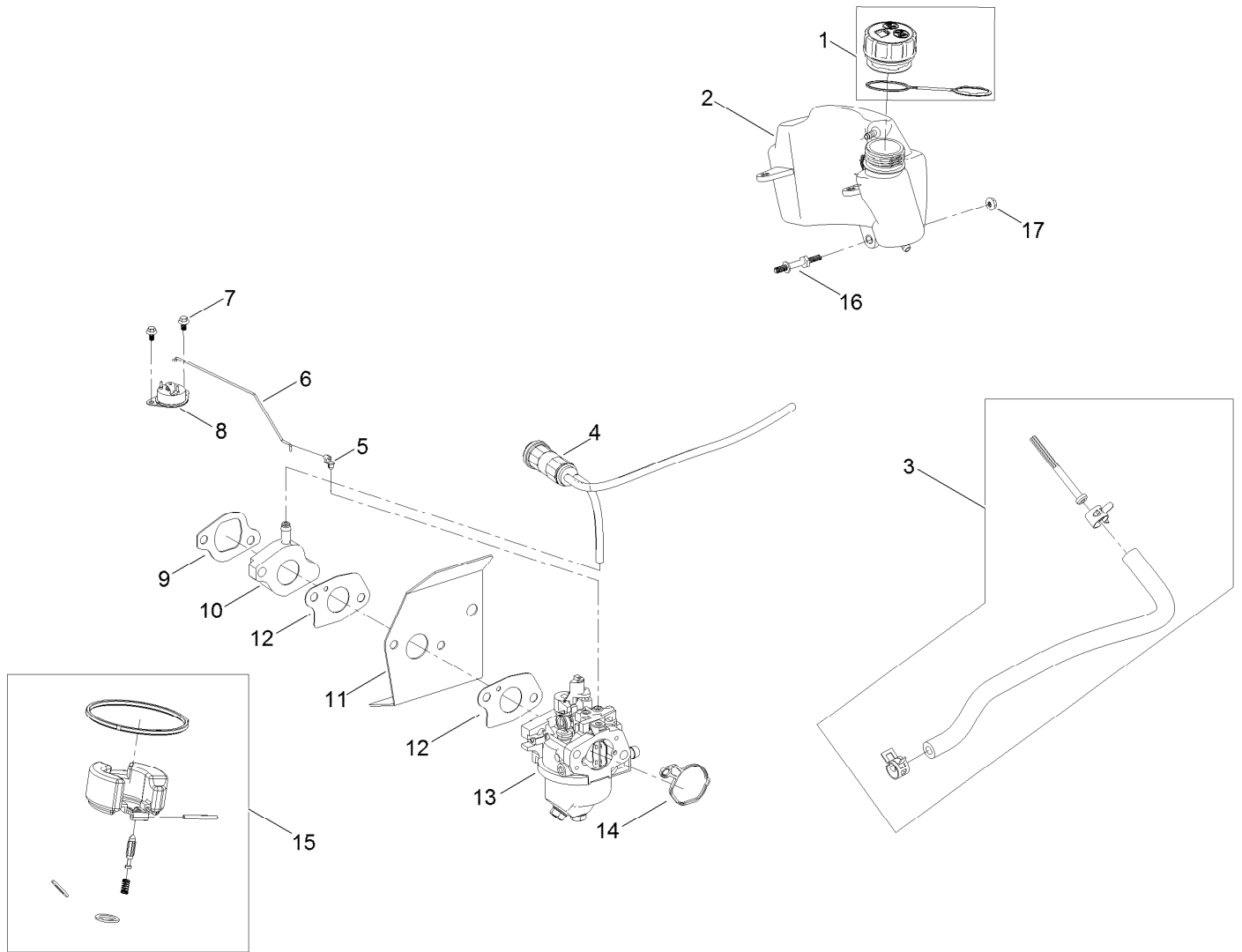
Engine and Blade Assembly



Engine and Blade Assembly (continued)

<i>Ref.</i>	<i>Part Number</i>	<i>Qty.</i>	<i>Description</i>	<i>Ref.</i>	<i>Part Number</i>	<i>Qty.</i>	<i>Description</i>
1	133-9861	1	Engine-1P65F-2	18	110-1790	1	Belt
2	133-8189	1	Plate-Anchor	19	108-9342	1	Nut-Hex
3	107-0759	1	Bolt-Shoulder	20	107-0754	1	Drum
4	107-0797	1	Bushing	21	3211-42	2	Screw-HH
5	3256-16	1	Washer-Flat	22	107-7488	1	Cover
6	3296-73	1	Nut-Lock, NI	23	49-2040	3	Screw-HWHTF
7	125-1063	1	Plate-Brake	24	108-3787	1	Disc
8	125-5069	2	Nut-Hex	25	107-7487	1	Support-Blade
9	107-0758	1	Spacer-Bearing	26	108-3762-03	1	Blade-Recycling
10	38-7820	3	Bearing-Ball	27	108-3766-03	1	Support-Blade
11	108-3790	1	Retainer-Belt	28	127-6852	2	Nut-Flange, Lock
12	605256	1	Washer-Plain	29	98-2256	1	Clamp
13	107-7471	1	Plate-Guide	30	32144-32	1	Screw
14	3231-25	1	Bolt-CARR	32	136-9054	1	Decal-Shroud
15	108-3792	1	Spring-Tension, Brake	33	136-5863	1	Decal
16	32144-102	3	Screw-HWH	34	117-2718	1	Decal-Arrester, Spark
17	117-5970	1	Pulley				

Fuel System and Carburetor Assembly

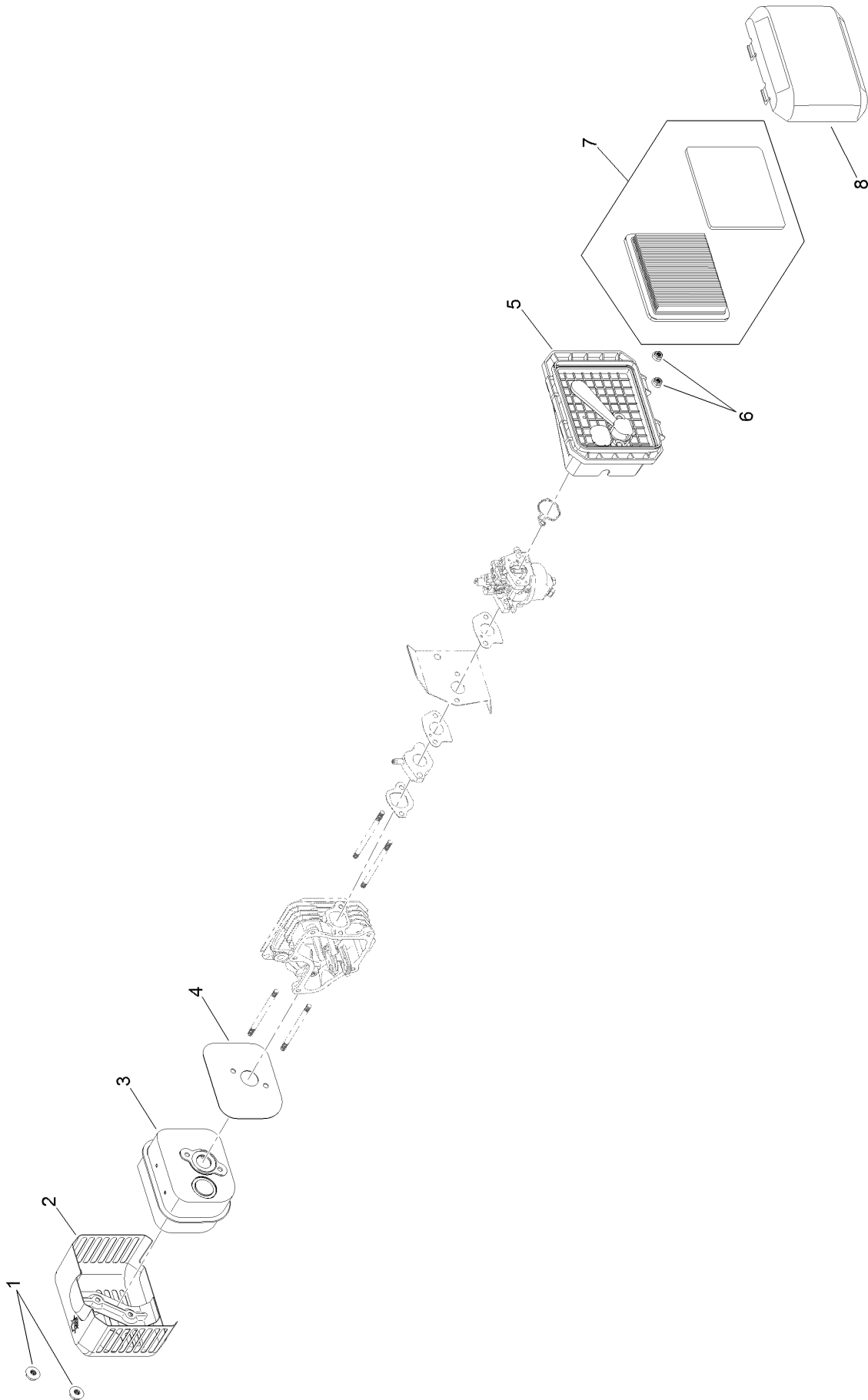


Fuel System and Carburetor Assembly (continued)

<i>Ref.</i>	<i>Part Number</i>	<i>Qty.</i>	<i>Description</i>	<i>Ref.</i>	<i>Part Number</i>	<i>Qty.</i>	<i>Description</i>
1	133-9887	1	Cap-Fuel, Sealed	10	133-9902	1	Spacer-Carburetor
2	133-9888	1	Tank-Fuel	11	133-9901	1	Insulator-Carburetor
3	121-4167	1	Fuel Line Kit	12	121-4184	2	Gasket-Carburetor
4	133-9874	1	Canister-Carbon, 19 Cc	13	133-9900	1	Carburetor
5	120-4451	1	Lock-Throttle	14	133-9899	1	Gasket-Carburetor
6	133-9909	1	Linkage-Choke, Thermal	15	127-9395	1	Internal Carb Service Kit
7	133-9908	2	Screw-HWH, Thd Form	16	121-0016	1	Bolt-Stud
8	133-9907	1	Control-Thermal	17	120-4236	1	Nut-Flange
9	121-4183	1	Gasket-Intake	99	133-9943	1	High Altitude Kit ●

● Not illustrated

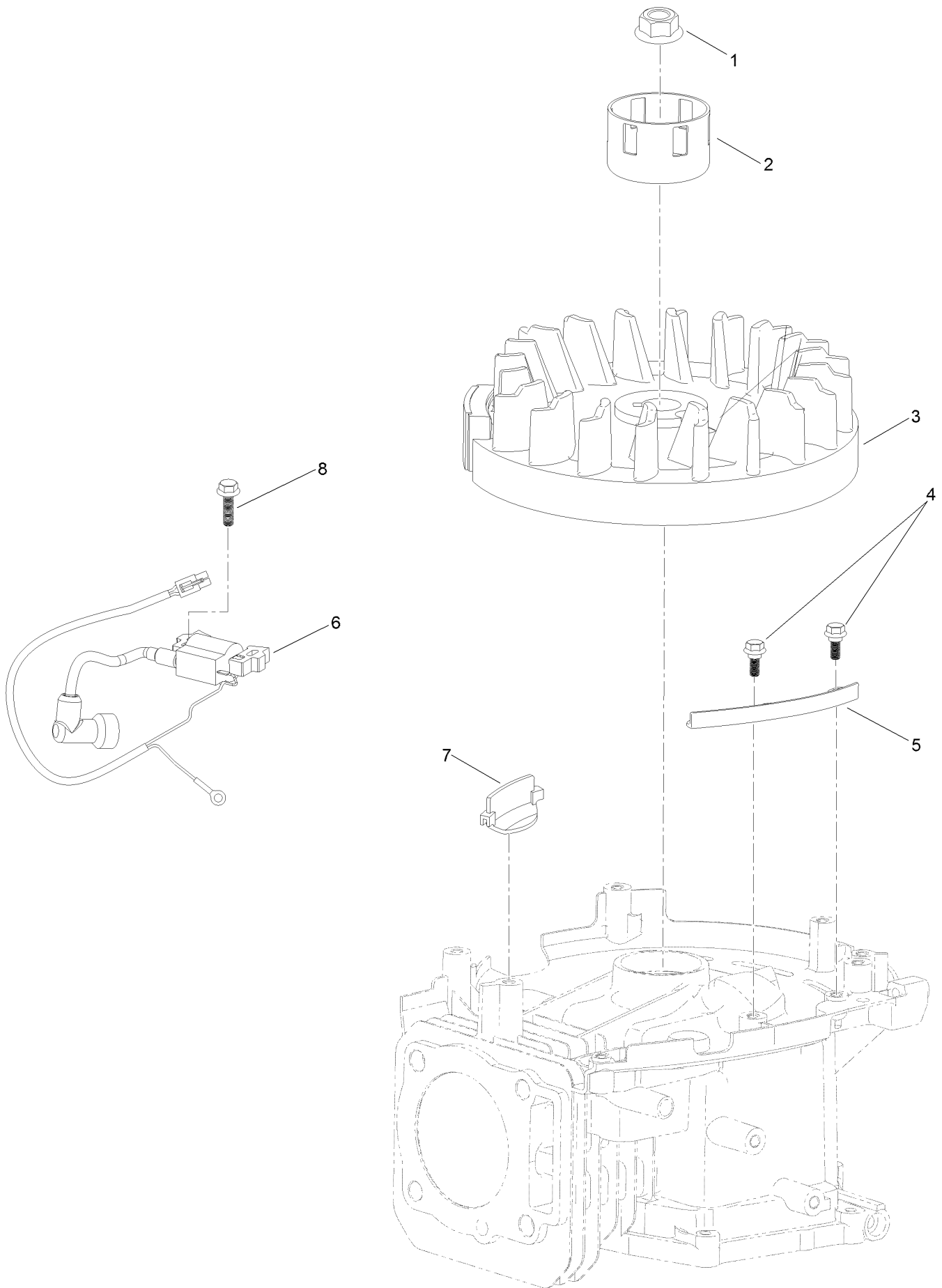
Air Intake and Filtration Assembly



Air Intake and Filtration Assembly (continued)

<i>Ref.</i>	<i>Part Number</i>	<i>Qty.</i>	<i>Description</i>	<i>Ref.</i>	<i>Part Number</i>	<i>Qty.</i>	<i>Description</i>
1	121-0010	2	Nut-Flange	5	133-9898	1	Base-Cleaner, Air
2	133-9906	1	Shield-Muffler	6	120-4236	2	Nut-Flange
3	121-0166	1	Muffler ASM	7	119-1909	1	Air Filter And Prefilter Kit
4	121-0034	1	Gasket-Exhaust	8	121-0364	1	Cover-Cleaner, Air

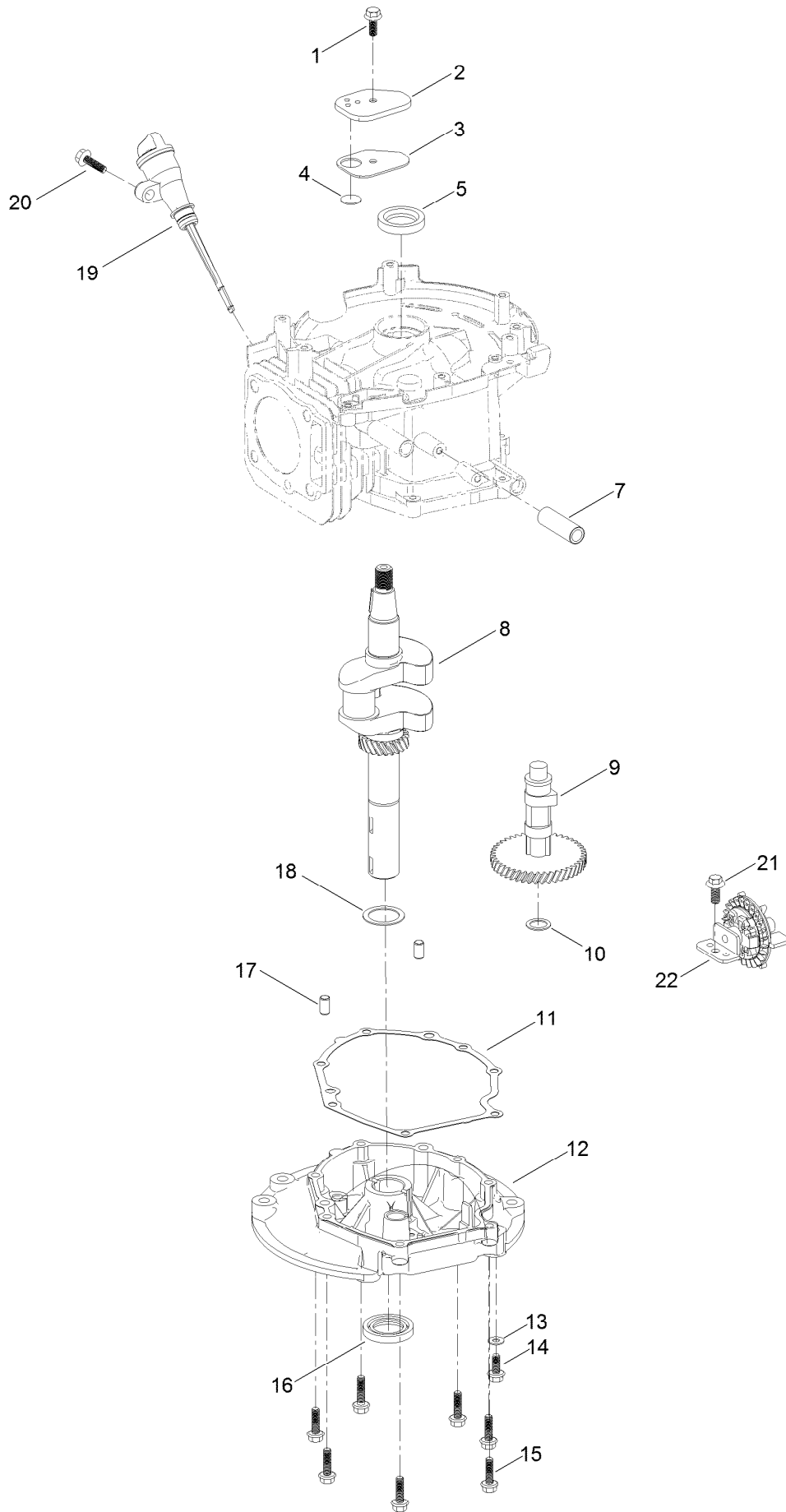
Ignition and Electrical Assembly



Ignition and Electrical Assembly (continued)

<i>Ref.</i>	<i>Part Number</i>	<i>Qty.</i>	<i>Description</i>	<i>Ref.</i>	<i>Part Number</i>	<i>Qty.</i>	<i>Description</i>
1	121-0047	1	Nut-Flange	5	133-9914	1	Guard-Flywheel
2	133-9912	1	Cup-Starter	6	121-4208	1	Coil-Ignition
3	133-9913	1	Flywheel	7	133-9881	1	Guard-Flywheel
4	120-4209	2	Screw-Shoulder, HHF	8	120-4225	1	Screw-HHF

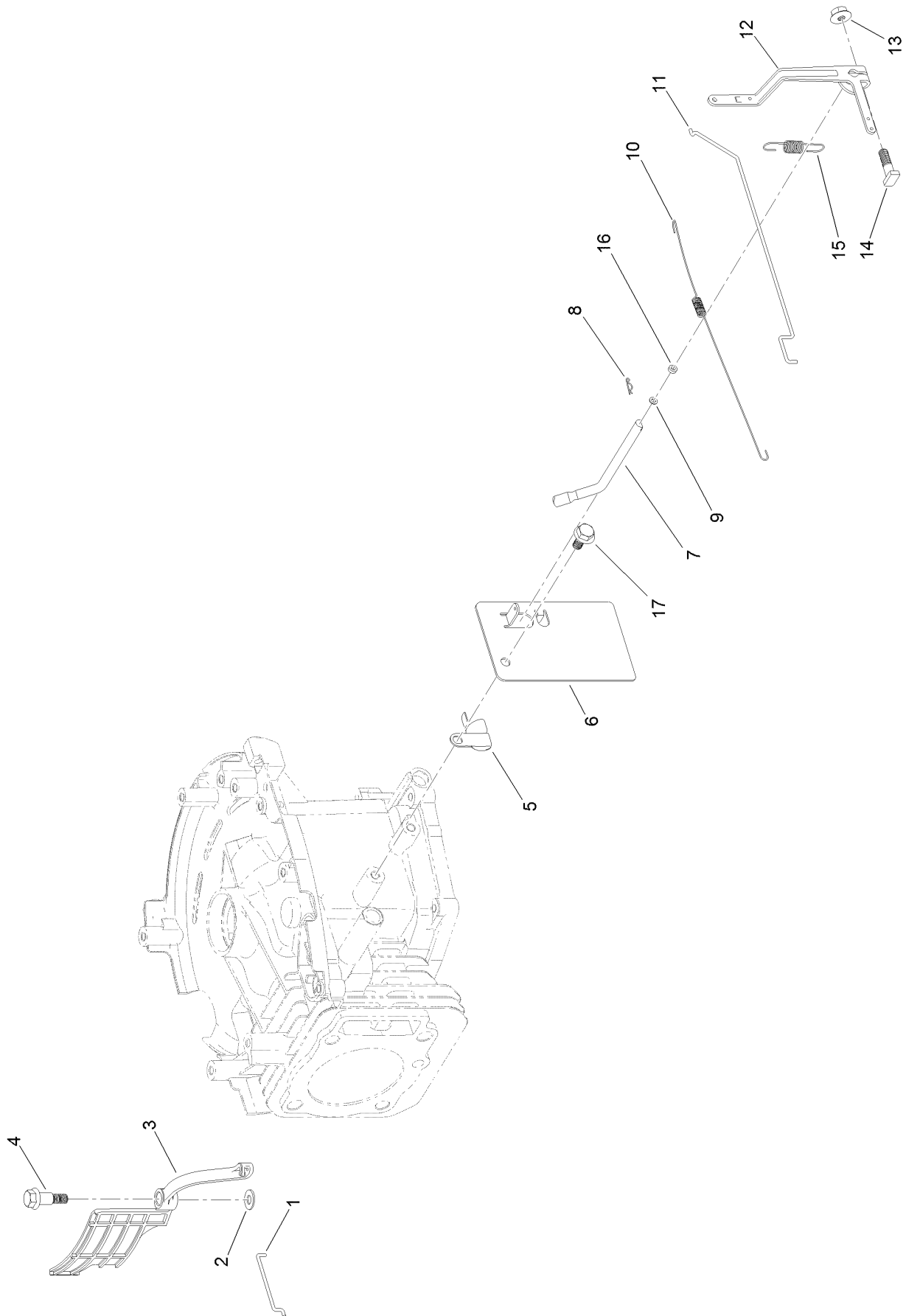
Crankcase Assembly



Crankcase Assembly (continued)

<i>Ref.</i>	<i>Part Number</i>	<i>Qty.</i>	<i>Description</i>	<i>Ref.</i>	<i>Part Number</i>	<i>Qty.</i>	<i>Description</i>
1	120-4216	1	Screw-HHF	13	121-0048	1	Washer-Plain
2	133-9882	1	Cover-Breather	14	121-0030	1	Screw-HHF
3	133-9883	1	Gasket-Cover, Breather	15	120-4223	7	Screw-HHF
4	133-9884	1	Valve-Breather	16	121-0022	1	Seal-Oil
5	121-0019	1	Seal-Oil	17	121-0054	2	Pin-Dowel
7	133-9911	1	Tube-Breather	18	121-0049	1	Washer-Flat
8	133-9915	1	Crankshaft ASM	19	133-9886	1	Dipstick And Fill Tube Kit
9	121-4174	1	Camshaft ASM	20	121-0007	1	Bolt-Flange
10	121-0051	1	Washer-Flat	21	121-0369	1	Screw-HWH, Thd Form
11	133-9895	1	Gasket-Cover, Case	22	133-9896	1	Governor Gear ASM
12	133-9897	1	Cover-Crankcase				

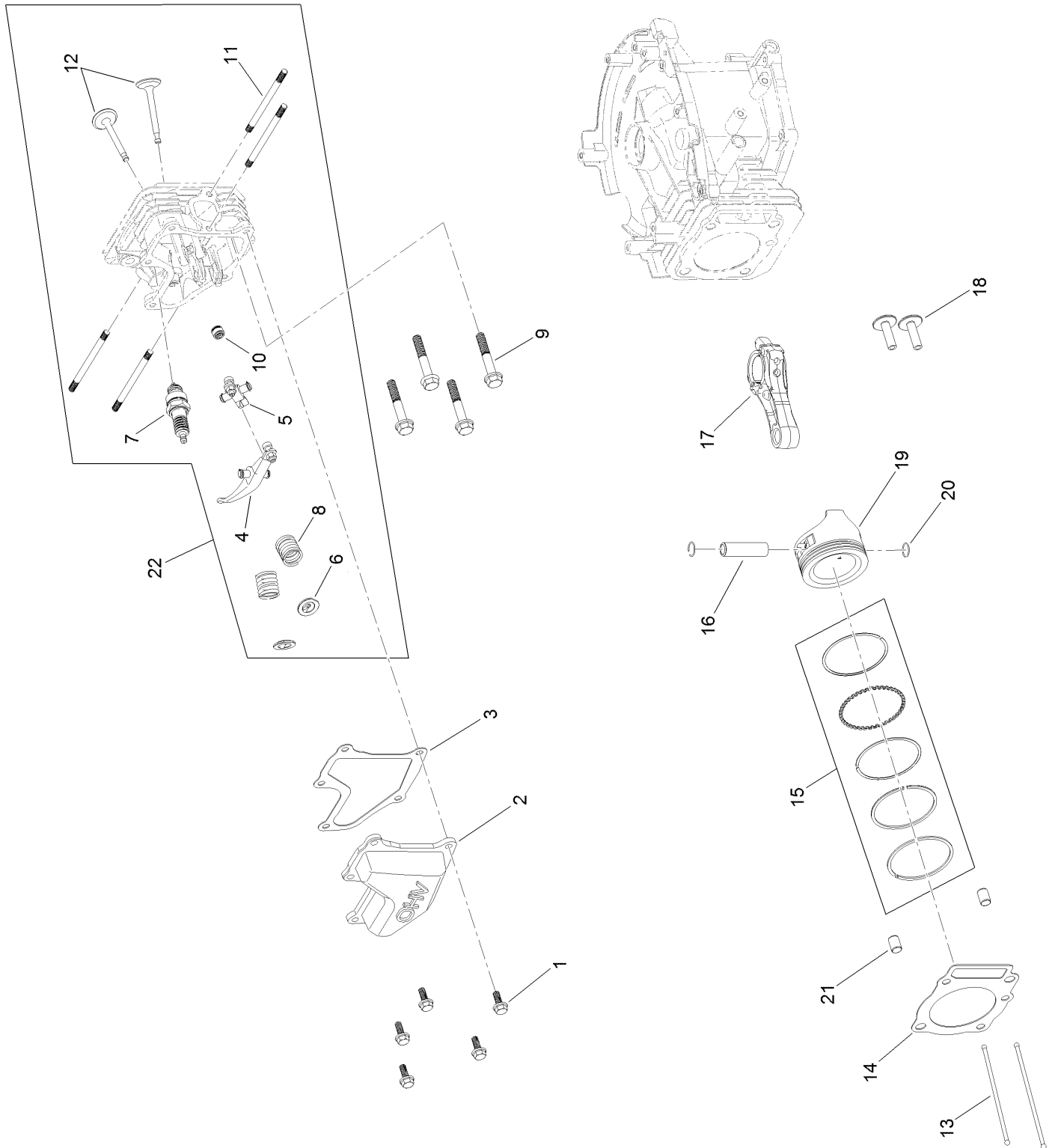
Governor Control Assembly



Governor Control Assembly (continued)

<i>Ref.</i>	<i>Part Number</i>	<i>Qty.</i>	<i>Description</i>	<i>Ref.</i>	<i>Part Number</i>	<i>Qty.</i>	<i>Description</i>
1	133-9880	1	Linkage-Choke	10	121-0023	1	Spring-Return, Throttle
2	121-0498	1	Washer-Plain	11	133-9892	1	Rod-Governor
3	133-9879	1	Air Vane-Autochoke	12	121-0028	1	Arm-Governor
4	127-9196	1	Screw-Shoulder, HWH	13	120-4236	1	Nut-Flange
5	121-0017	1	Clip-Harness, Wire	14	120-4238	1	Bolt-Arm, Governor
6	133-9891	1	Plate-Control, Throttle	15	133-9893	1	Spring-Governor
7	120-4458	1	Arm-Governor	16	121-0021	1	Seal-Oil
8	120-4256	1	Pin-Hair	17	120-4216	1	Screw-HHF
9	121-0050	1	Washer-Flat				

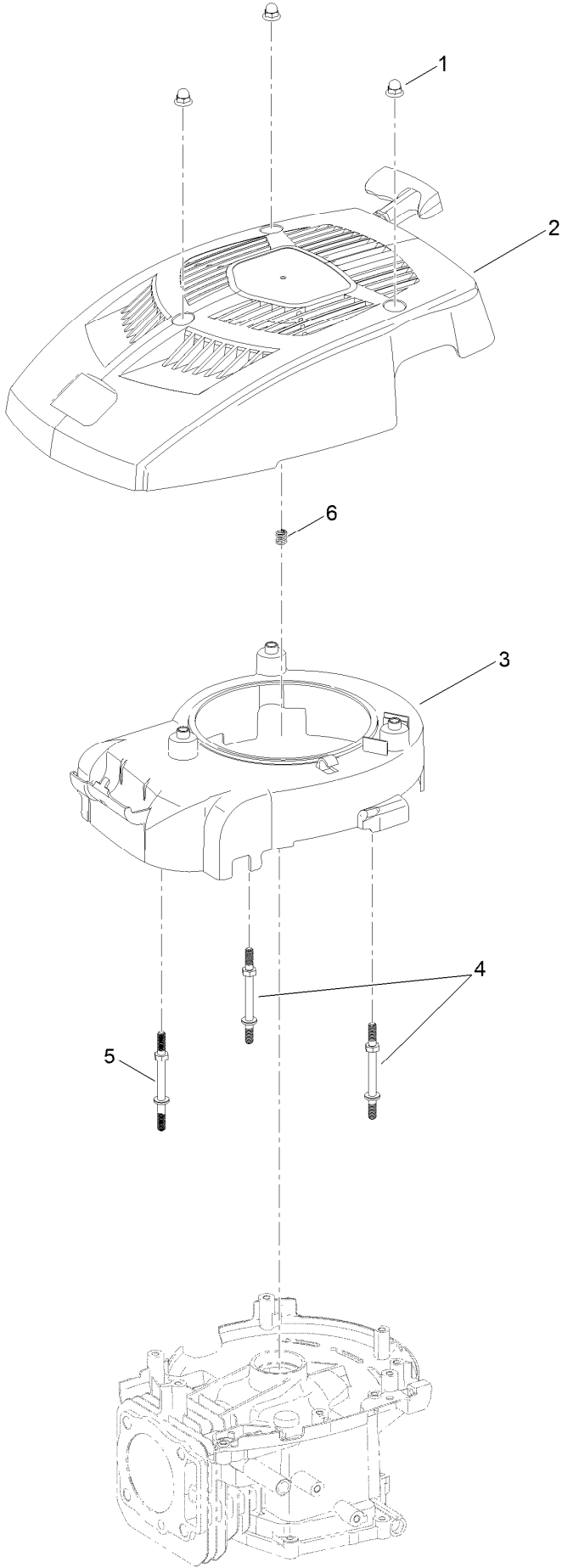
Piston and Cylinder Head Assembly



Piston and Cylinder Head Assembly (continued)

<i>Ref.</i>	<i>Part Number</i>	<i>Qty.</i>	<i>Description</i>	<i>Ref.</i>	<i>Part Number</i>	<i>Qty.</i>	<i>Description</i>
1	120-4232	5	Screw-HHF	12	121-4192	1	Valve Set
2	133-9905	1	Cover-Valve	13	121-4193	2	Rod-Push
3	133-9904	1	Gasket-Cover, Valve	14	133-9910	1	Gasket-Head
4	121-4196	1	Exhaust Rocker Arm ASM	15	121-4171	1	Piston Ring Set
5	121-4195	1	Intake Rocker Arm ASM	16	120-4467	1	Pin-Piston
6	120-4474	2	Retainer-Valve, Spring	17	120-4469	1	Connecting Rod ASM
7	121-0187	1	Spark Plug	18	120-4477	2	Tappet-Valve
8	120-4473	2	Spring-Valve	19	121-4173	1	Piston
9	121-0043	4	Bolt-Flange	20	121-0052	2	Clip-Pin, Wrist
10	121-4202	1	Seal-Stem, Valve	21	121-0053	2	Pin-Dowel
11	121-0045	4	Stud-Exhaust	22	133-9923	1	Cylinder Head ASM

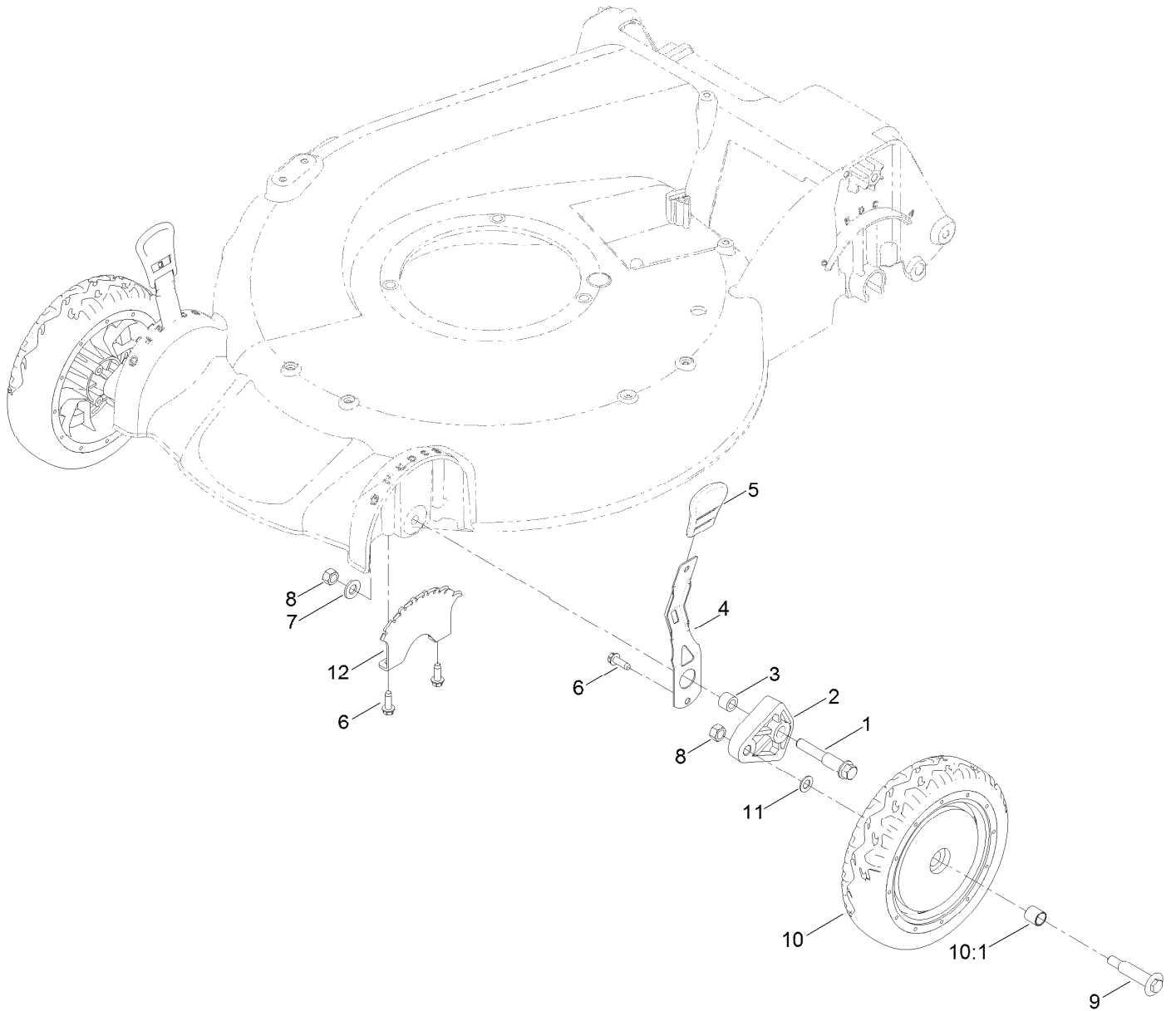
Blower Housing Assembly



Blower Housing Assembly (continued)

<i>Ref.</i>	<i>Part Number</i>	<i>Qty.</i>	<i>Description</i>	<i>Ref.</i>	<i>Part Number</i>	<i>Qty.</i>	<i>Description</i>
1	127-9115	3	Nut-Acorn	4	133-9877	2	Stud-Shroud
2	133-9857	1	Recoil Shroud ASM	5	133-9878	1	Stud-Shroud
3	133-9875	1	Shroud-Fan	6	136-7770	1	Spring-Compression, Recoil

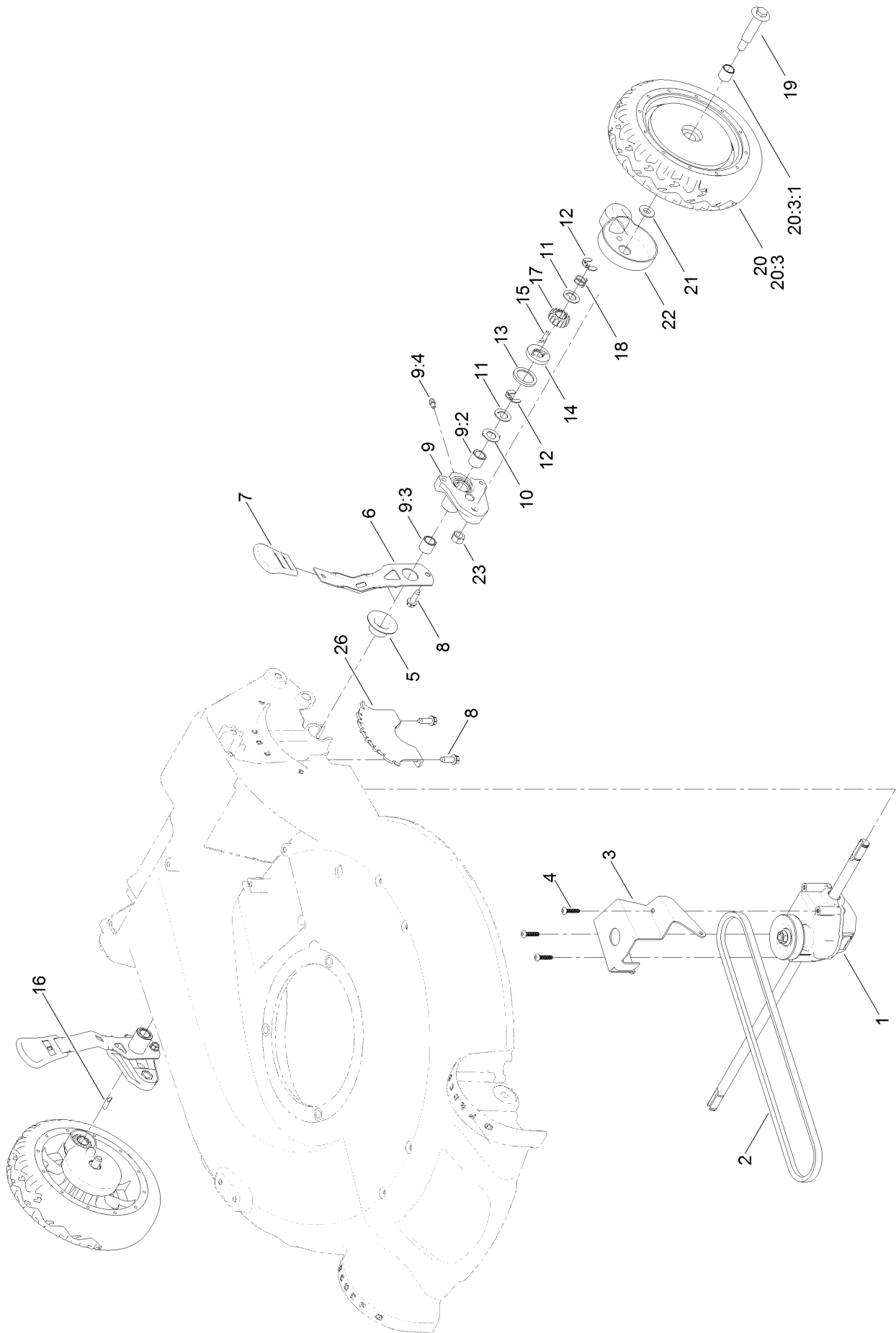
Front Wheel and Height-of-Cut Assembly



Front Wheel and Height-of-Cut Assembly (continued)

<i>Ref.</i>	<i>Part Number</i>	<i>Qty.</i>	<i>Description</i>	<i>Ref.</i>	<i>Part Number</i>	<i>Qty.</i>	<i>Description</i>
1	114-3467	2	Screw-Shoulder	8	125-5069	4	Nut-Hex
2	107-7492	2	Arm-Pivot	9	92-1057	2	Bolt-Shoulder
3	52-2480	2	Spacer-Wheel	10	107-3708	2	Wheel ASM
4	107-7491	2	Arm-Spring	10:1	27-6250	2	Bushing
5	110-0549	2	Knob-HOC	11	40-1940	2	Washer
6	49-2040	6	Screw-HWHTF	12	107-7478	2	Plate-HOC
7	3256-24	2	Washer-Flat				

Rear Wheel and Height-of-Cut Assembly

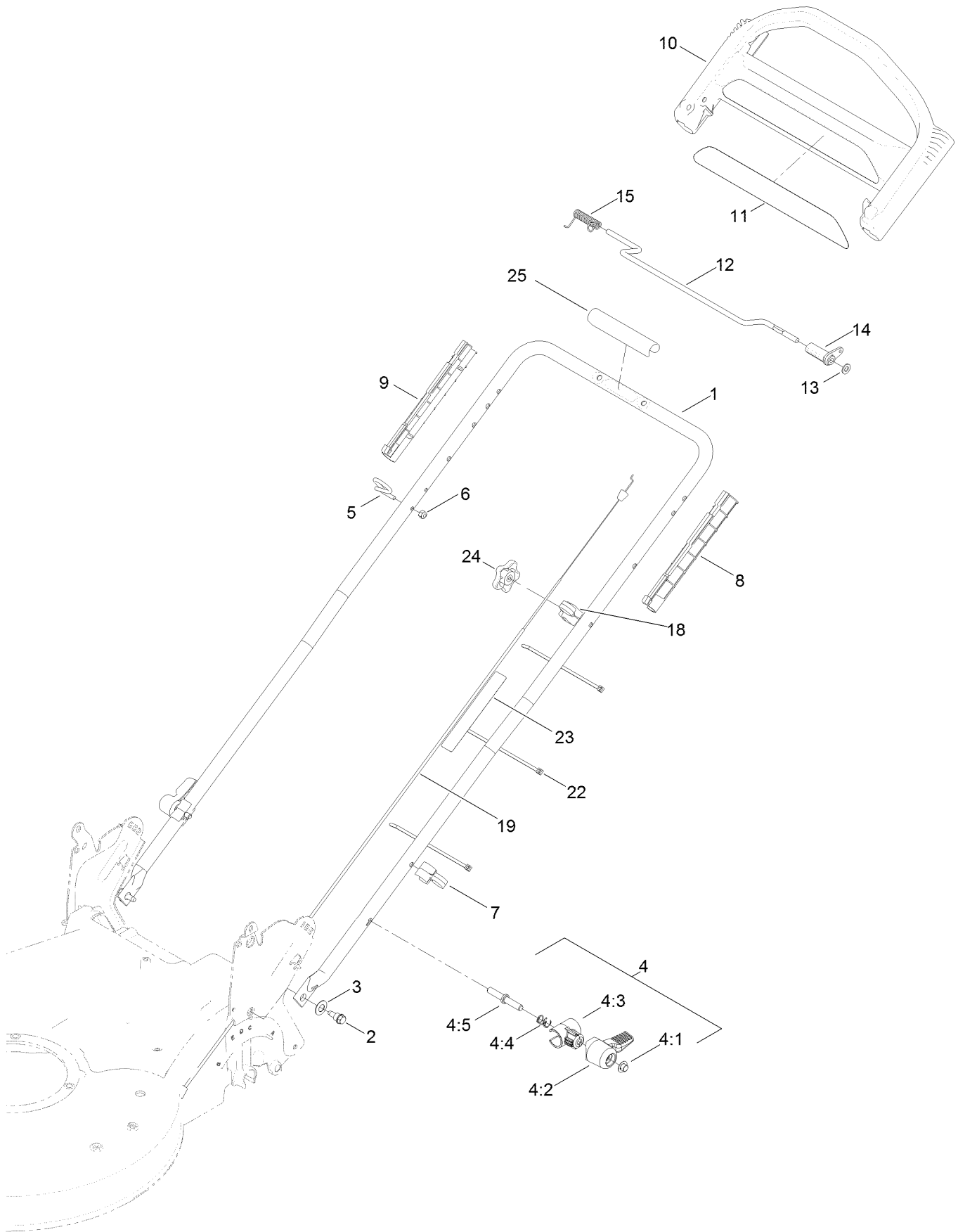


Rear Wheel and Height-of-Cut Assembly (continued)

<i>Ref.</i>	<i>Part Number</i>	<i>Qty.</i>	<i>Description</i>	<i>Ref.</i>	<i>Part Number</i>	<i>Qty.</i>	<i>Description</i>
1	121-9184	1	Transmission ASM	13	65-4710	2	Ring-Friction
2	115-4669	1	Belt-V	14	65-4760	2	Washer-Clutch
3	114-7977-03	1	Bracket-Transmission	15	66-6050	1	Key-Rocking, LH
4	108-7476	3	Screw-Plastite	16	66-6040	1	Key-Rocking, RH
5	42-3520	2	Cap-End	17	65-4750	2	Gear-Pinion
6	107-7491	2	Arm-Spring	18	65-4720	2	Spring-Compression
7	110-0549	2	Knob-HOC	19	92-1057	2	Bolt-Shoulder
8	49-2040	6	Screw-HWHTF	20	107-3709	2	Wheel Gear ASM
9	100-8774	2	Pivot Arm ASM	20:3		1	Wheel ASM ●
9:2	47-2900	1	Bushing	20:3:1	27-6250	2	Bushing
9:3	70-9760	1	Bushing	21	74-1671	2	Spacer-Cover, Wheel
9:4	302-56	1	Fitting-Grease	22	74-1660	2	Cover-Wheel
10	65-4730	2	Washer-Arm, Pivot	23	125-5069	2	Nut-Hex
11	65-4740	4	Washer-Thrust, Keyed	26	107-7478	2	Plate-HOC
12	65-2720	4	Ring-Clip, Locking				

● Not serviced separately

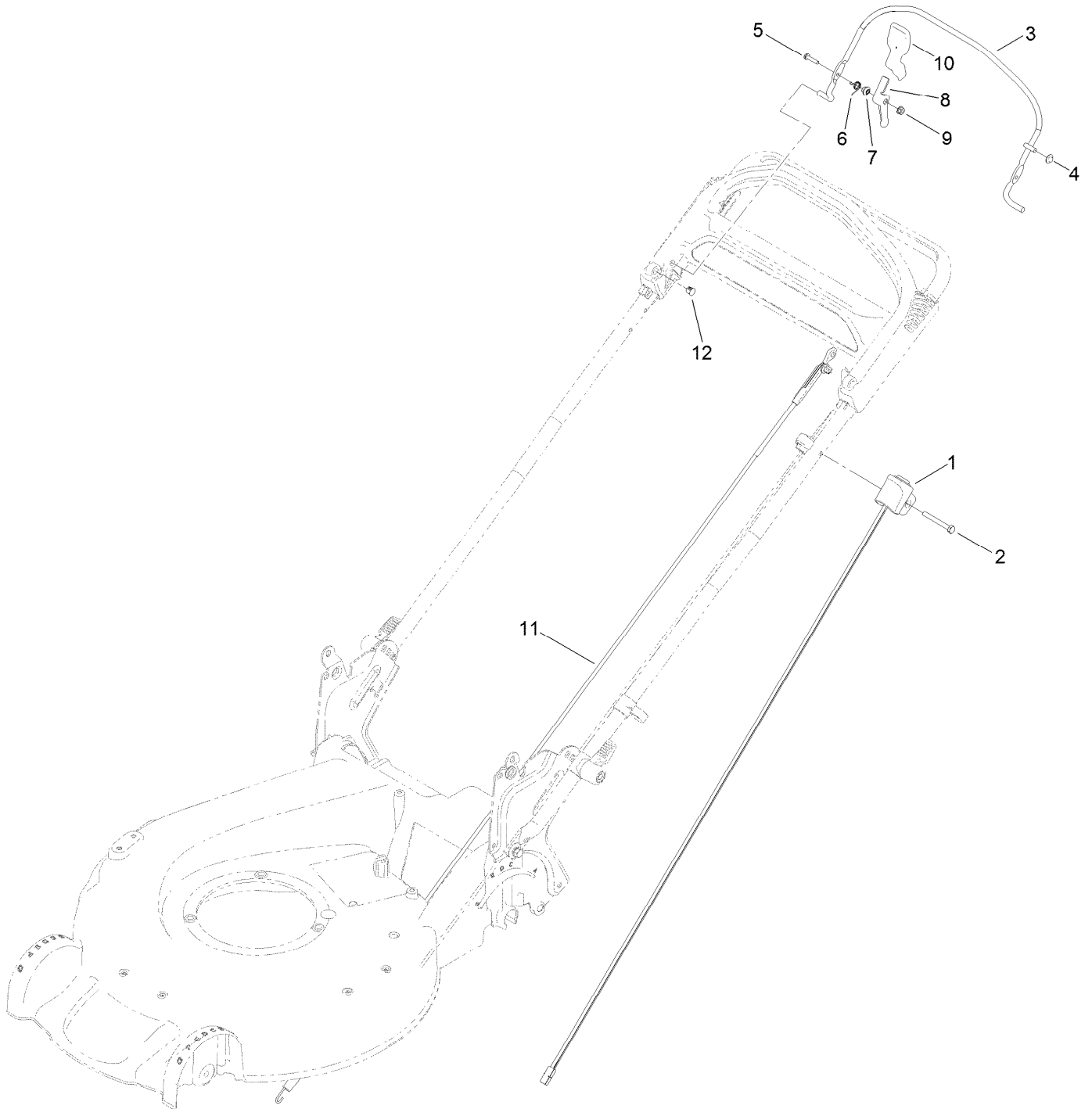
Handle Assembly



Handle Assembly (continued)

<i>Ref.</i>	<i>Part Number</i>	<i>Qty.</i>	<i>Description</i>	<i>Ref.</i>	<i>Part Number</i>	<i>Qty.</i>	<i>Description</i>
1	132-4460-05	1	Handle	9	105-6841	1	Guide-RH
2	115-1958	2	Bolt-Shoulder	10	104-8678	1	Handle-Control
3	112-9972	2	Washer-Spring, Conical	11	117-1019	1	Decal
4	115-2860	2	Quick Release ASM	12	99-1588	1	Bar-Control, Traction
4:1	109-0917	1	Nut-Push	13	3256-23	1	Washer-Plain
4:2	114-7995	1	Lever	14	99-1589	1	Lever-Traction
4:3	114-7996	1	Anchor-Spring	15	121-9118	1	Spring-Torsion
4:4	115-2858	1	Spring-Compression	18	136-5864	1	Anchor-Cable
4:5	114-2675	1	Rod-Release	19	108-8158	1	Cable-Traction
5	86-9671	1	Guide-Rope	22	614249	3	Tie-Cable
6	3296-73	1	Nut-Lock, NI	23	132-4470	1	Decal-Traction, Adjust
7	114-7988	1	Guide-Cable	24	131-0897	1	Knob-Handle, Locking
8	105-6842	1	Guide-LH	25	131-4551	1	Handle-Cover

Brake Control Assembly



Brake Control Assembly (continued)

<i>Ref.</i>	<i>Part Number</i>	<i>Qty.</i>	<i>Description</i>	<i>Ref.</i>	<i>Part Number</i>	<i>Qty.</i>	<i>Description</i>
1	121-2347	1	Harness	7	107-7463	1	Spacer
2	321-50	1	Screw-HH	8	106-6802	1	Lever
3	108-3788-03	1	Bail-Brake	9	32128-17	1	Nut-Lock, Flange
4	3290-337	1	Nut-Speed	10	112-8884	1	Knob
5	106-9169	1	Screw-HWH	11	108-8155	1	Cable ASM
6	107-7462	1	Spring-Torsion	12	104-9368	1	Plug-Dome

Attachments and Accessories

For 20383 Super Recycler Lawn Mower

Product Name	Model/Part
Bagging Blade	108-3759-03
Fuel Stabilizer .05 oz	130-2393
Traction Assist Handle Kit.....	131-4590
High Altitude Kit	133-9943
Engine Maintenance Kit.....	20240
Lawnmower Cover.....	490-7462

Notes:

Notes:

Notes:



Count on it.