



Count on it.

Parts Catalog

TimeMaster 30in

Lawn Mower

Model No. 21199—Serial No. 40000000 and Up



Ordering Replacement Parts

To order replacement parts, please supply the part number, the quantity, and the description of each part desired.

Understanding Reference Numbers

Each identified part in an illustration has a reference number. The reference number for a part also appears in the parts list, along with other information about the part.

This catalog uses two special reference number formats, one to indicate parts in a service assembly and another to indicate the quantity of a given part in an illustration.

Service Assembly Reference Numbers

Parts in service assemblies have reference numbers in the form a:b. The a represents the reference number of the entire service assembly and the b represents a sequential number unique to each part within the service assembly.

For example, a wheel assembly might be identified by reference number 6, the tire by 6:1, the valve by 6:2, and the wheel by 6:3. When you order the assembly identified by reference number 6, you receive all parts identified by reference numbers 6:1, 6:2, and 6:3. However, you may also order any part individually. Reference numbers of this type appear in illustration and in parts lists.

Reference Numbers Indicating Quantity

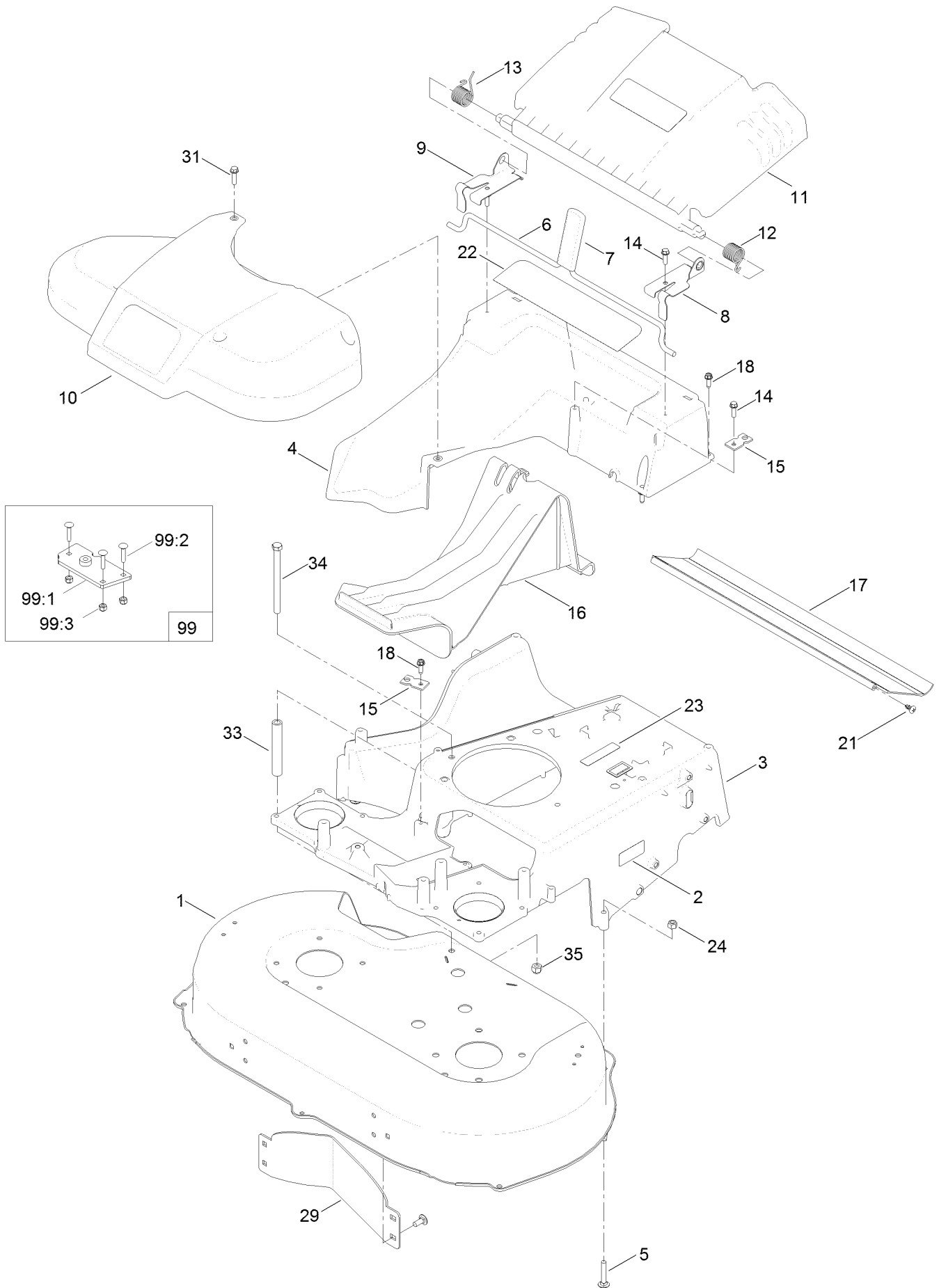
In an illustration, if a reference number indicates more than one part, the reference number has the form nX y. The n represents the quantity of the part, the X is the multiplication symbol, and the y represents the reference number.

For example, in an illustration, the reference number 2X 37 means that two of the parts identified by reference number 37 are indicated.

Contents

Housing Assembly	4
Spindle and Belt Assembly	6
Discharge Chute Assembly	8
Bag Assembly	10
Engine Assembly	12
Front Wheel and Height-of-Cut Assembly	14
Rear Wheel Height-of-Cut Assembly	16
Handle and Electrical Assembly	18
Attachments and Accessories	20

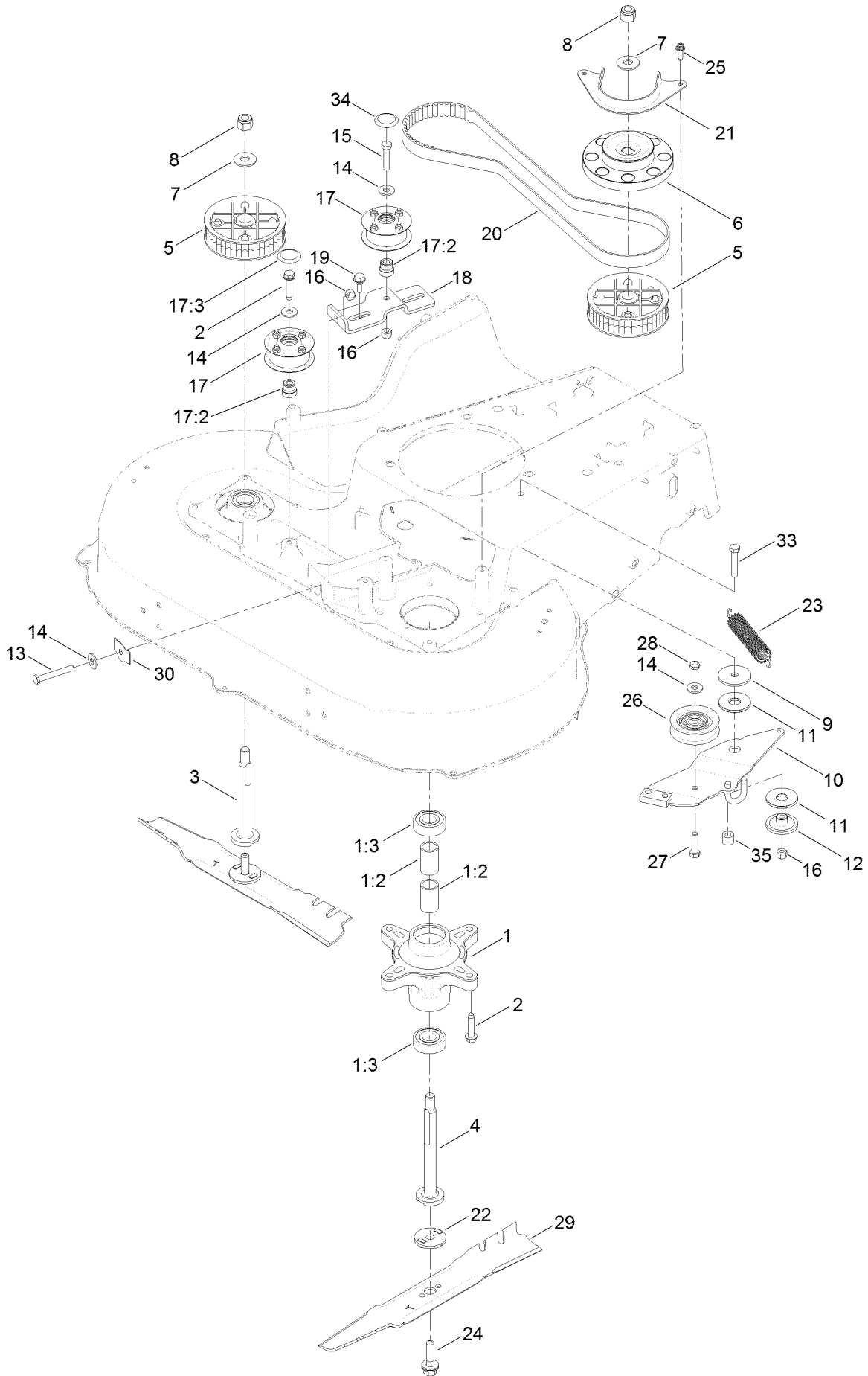
Housing Assembly



Housing Assembly (continued)

<i>Ref.</i>	<i>Part Number</i>	<i>Qty.</i>	<i>Description</i>	<i>Ref.</i>	<i>Part Number</i>	<i>Qty.</i>	<i>Description</i>
1	136-5873	1	Housing ASM	16	120-5225	1	Plug-Mulch
2	121-5684	1	Decal-Location, Service Dealer	17	120-6241	1	Shield-Trailing
3	136-5908-01	1	Frame	18	49-2040	8	Screw-HWHTF
4	133-8177	1	Chute	21	117-1092	2	Screw-PTH
5	3230-5	2	Screw-CARR	22	121-2398	1	Decal-Position, Handle
6	120-3344	1	Rod-Release, Handle	23	117-2718	1	Decal-Arrester, Spark
7	120-7018	1	Grip-Lever	24	3296-29	2	Nut-Lock, NI
8	121-9114	1	Bracket-Door, LH	29	130-2352-01	1	Baffle-Control
9	121-9115	1	Bracket-Door, RH	31	32144-86	1	Screw-HWHTF
10	120-7049	1	Belt Cover ASM	33	1-323283	1	Spacer-Shield
11	120-7048	1	Rear Deflector ASM	34	323-39	1	Screw-HH
12	115-2859	1	Spring-Torsion	35	3296-39	1	Nut-Lock, NI
13	114-7924	1	Spring-Torsion	99	125-5072	1	Frame Plate Kit
14	46-8091	3	Screw-HWH	99:1	125-2542	1	Plate-Frame
15	107-7497	2	Bracket-Cable, Traction	99:2	3229-3	3	Screw-CARR
				99:3	3296-42	3	Nut-Lock, NI

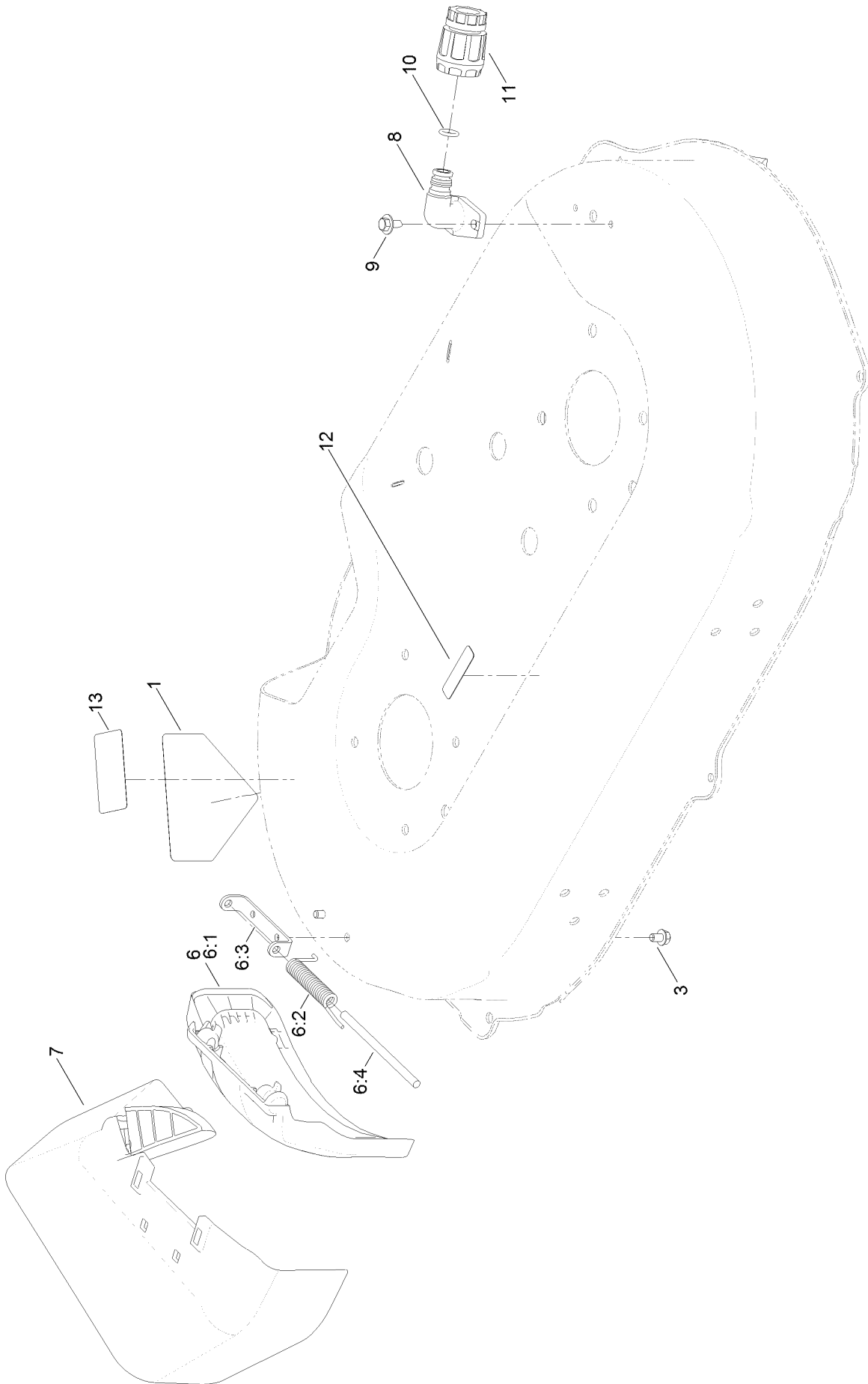
Spindle and Belt Assembly



Spindle and Belt Assembly (continued)

<i>Ref.</i>	<i>Part Number</i>	<i>Qty.</i>	<i>Description</i>	<i>Ref.</i>	<i>Part Number</i>	<i>Qty.</i>	<i>Description</i>
1	121-9107	2	Spindle ASM	17:2	131-4504	1	Adapter-Bore
1:2	117-7269	2	Spacer	17:3	125-2533	1	Plug-Cap
1:3	38-7820	2	Bearing-Ball	18	120-3348	1	Bracket-Idler
2	32144-57	9	Screw	19	120-7024	2	Screw-Shoulder, HHF
3	120-5234	1	Shaft-Spindle	20	120-3335	1	Belt-Synchronous
4	120-5235	1	Shaft-Spindle	21	120-5245-03	1	Guide-Belt, Spindle
5	121-9100	2	Sprocket	22	120-5236	2	Adapter-Blade
6	130-6664	1	Pulley-Brake, Spindle	23	121-5808	1	Spring-Extension, Brake
7	109-9505	2	Washer-Spring	24	125-2466	2	Bolt-Blade
8	3296-19	2	Nut-Hex	25	49-2040	2	Screw-HWHTF
9	63-7400	1	Washer-Rebound	26	120-7082	1	Pulley-Idler
10	133-8102	1	Brake Arm ASM	27	322-6	1	Screw-HH
11	121-2305	2	Washer-Friction, Composite	28	3296-47	1	Nut-Lock, NI
12	120-9490	1	Spacer	29	116-6358-03	2	Blade-Rotary
13	9114524	1	Bolt-TAP, HH	30	121-2336	1	Spring-Flat
14	3256-3	4	Washer-Flat	33	322-9	1	Screw-HH
15	322-7	1	Screw-HH	34	125-2533	2	Plug-Cap
16	3296-29	3	Nut-Lock, NI	35	133-1964	1	Hose-Coolant
17	131-4529	2	Pulley Kit				

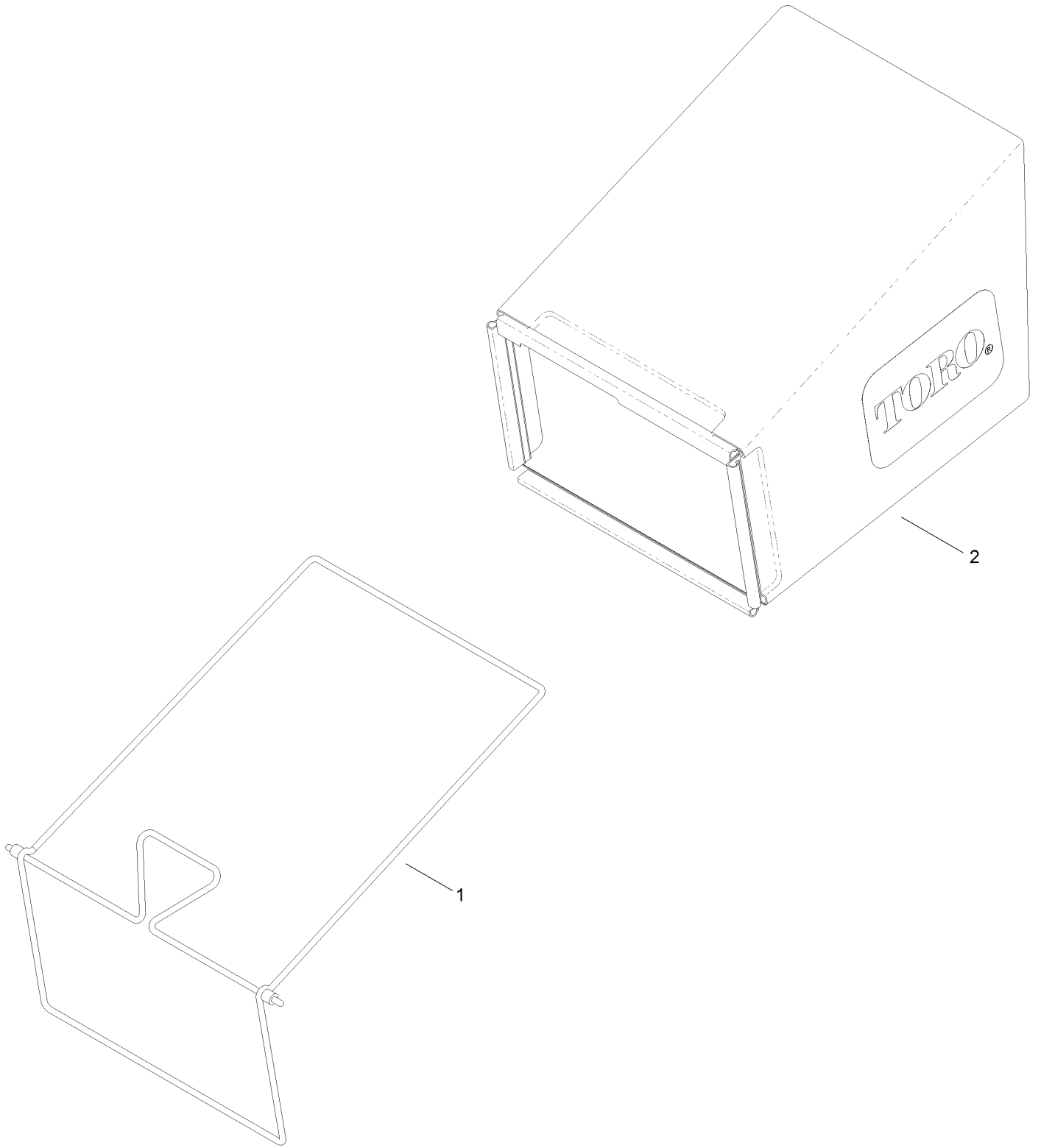
Discharge Chute Assembly



Discharge Chute Assembly (continued)

<i>Ref.</i>	<i>Part Number</i>	<i>Qty.</i>	<i>Description</i>	<i>Ref.</i>	<i>Part Number</i>	<i>Qty.</i>	<i>Description</i>
1	94-8072	1	Decal-Danger	7	121-2319	1	Chute-Discharge, Side
3	99-8445	2	Screw-HWH	8	95-2747	1	Fitting-Washout
6	133-2630	1	Side Deflector Service ASM	9	46-8560	2	Screw-HHFTF
6:1	125-5091	1	Deflector-Side	10	46-6290	1	O-Ring
6:2	127-0721	1	Spring-Torsion, Cover	11	95-3270	1	Connector-Hose
6:3	112-6416	1	Bracket-Cover	12	120-9570	1	Decal-Warning
6:4	99-5291	1	Rod-Cover	13	125-5092	1	Decal-Placement, Foot

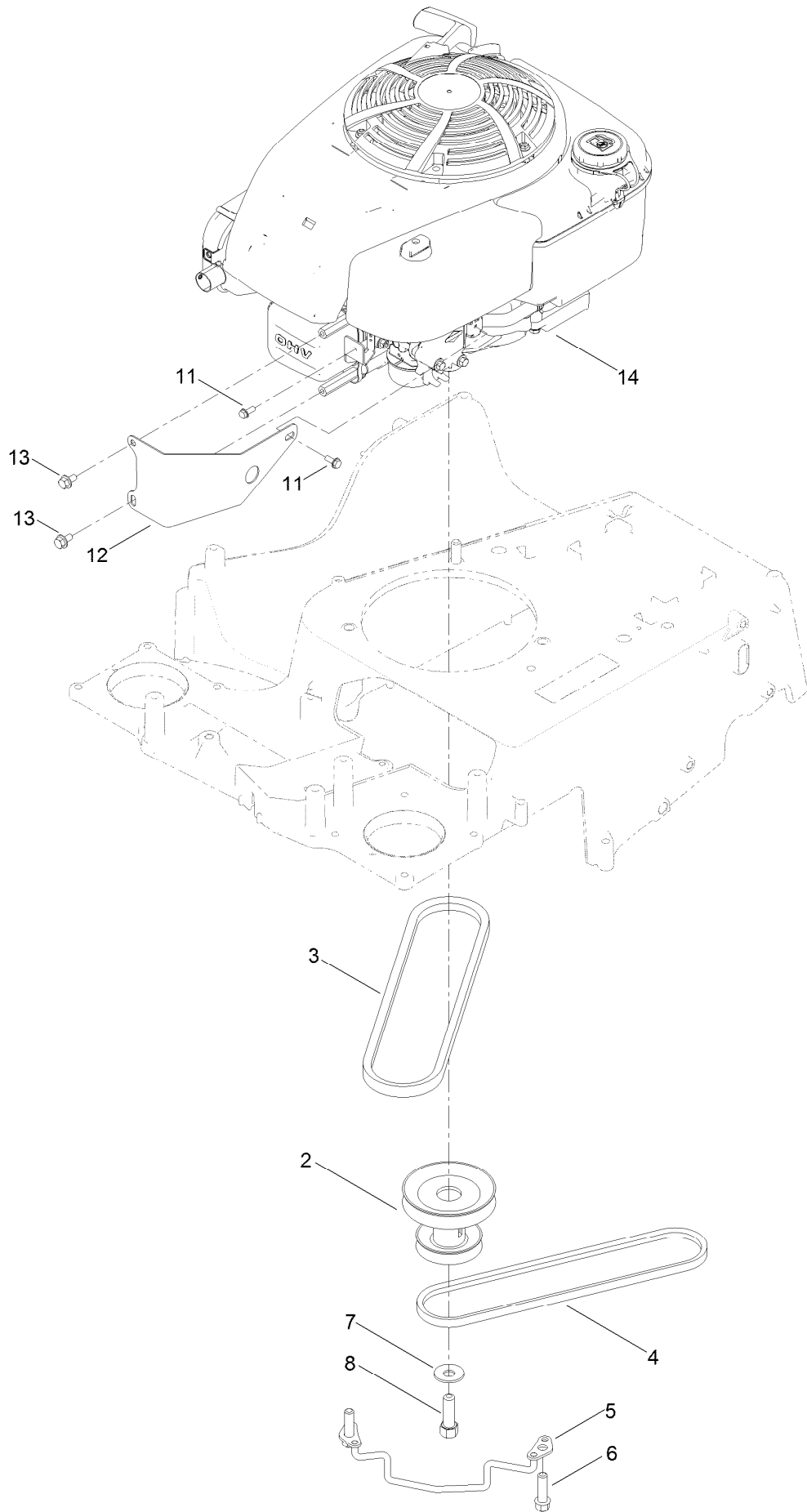
Bag Assembly



Bag Assembly (continued)

<i>Ref.</i>	<i>Part Number</i>	<i>Qty.</i>	<i>Description</i>
1	121-5766-03	1	Frame-Bag
2	121-5770	1	Bag-Grass

Engine Assembly



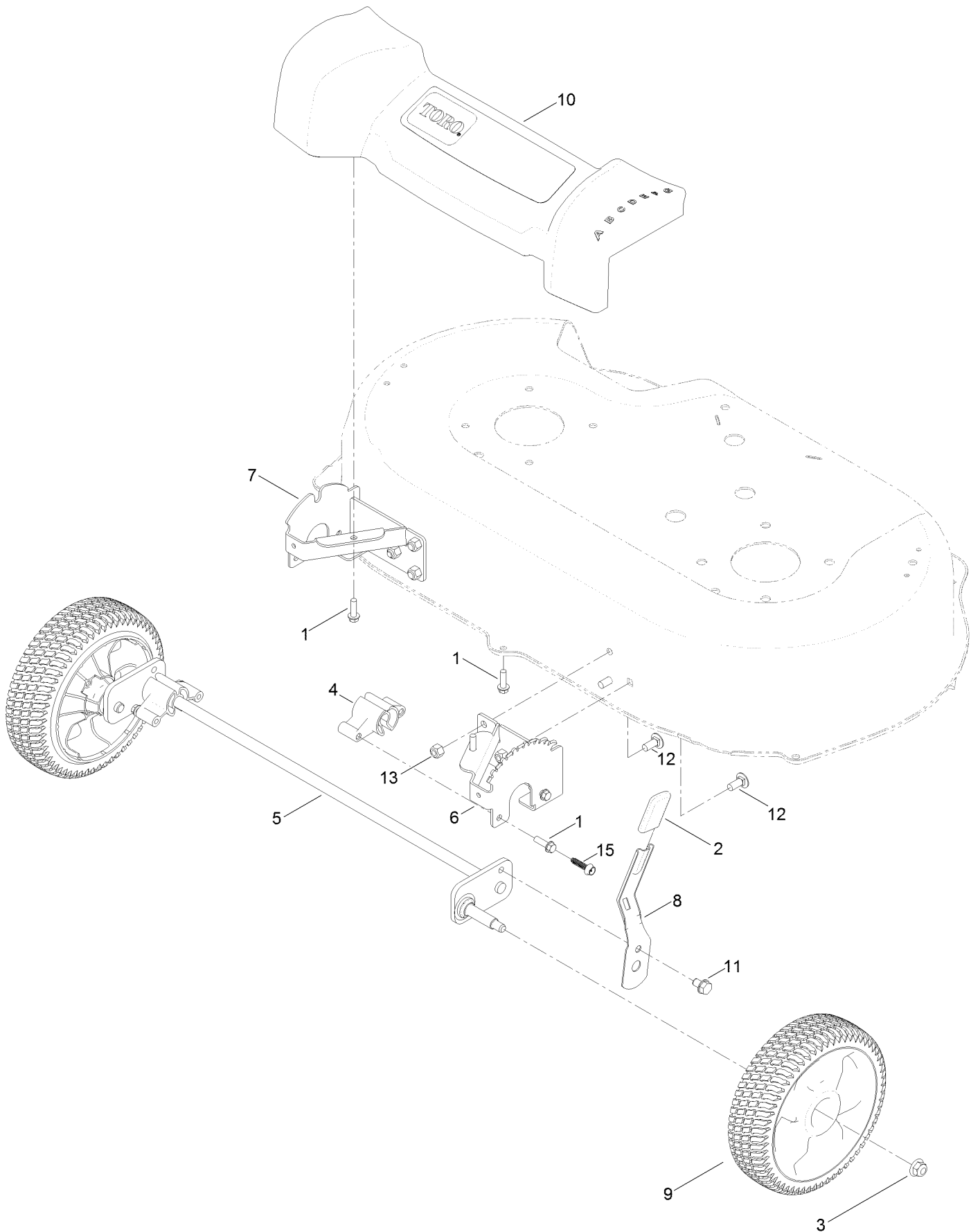
Engine Assembly (continued)

<i>Ref.</i>	<i>Part Number</i>	<i>Qty.</i>	<i>Description</i>	<i>Ref.</i>	<i>Part Number</i>	<i>Qty.</i>	<i>Description</i>
2	120-3333	1	Pulley-Engine	8	26-0671	1	Screw-HH
3	121-5765	1	V-Belt	11	32144-1	2	Screw-Taptite
4	120-9470	1	V-Belt, Traction	12	131-0889-03	1	Guard-Engine
5	120-7077	1	Guide-Belt	13	126-2713	2	Screw-HHF
6	95-1727	3	Screw-Taptite	14		1	Engine-Briggs, 14D9320110F1 ■●
7	3290-465	1	Washer-Belleville				

● Not serviced separately

■ Obtain parts from www.briggsandstratton.com

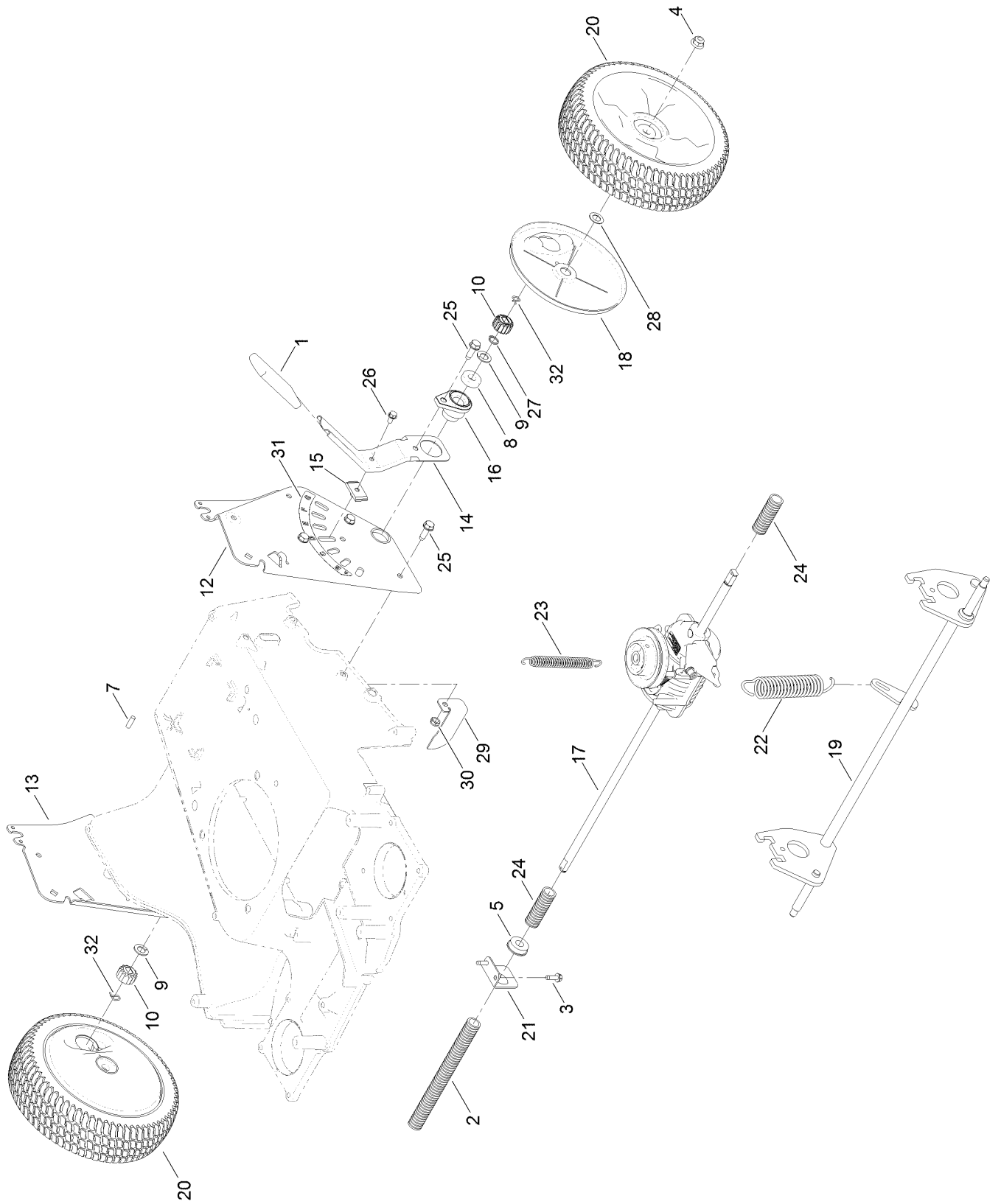
Front Wheel and Height-of-Cut Assembly



Front Wheel and Height-of-Cut Assembly (continued)

<i>Ref.</i>	<i>Part Number</i>	<i>Qty.</i>	<i>Description</i>	<i>Ref.</i>	<i>Part Number</i>	<i>Qty.</i>	<i>Description</i>
1	46-8091	3	Screw-HWH	8	120-7043	1	Arm-Spring
2	120-9535	1	Grip-Lever	9	125-2510	2	8 Inch Wheel ASM
3	104-8301	2	Nut-HF, NI	10	125-5027	1	Front Cover ASM
4	136-5875	2	Bushing-Pivot, Front	11	700057	1	Screw-HWH
5	131-0814	1	Axle-Front	12	3230-23	6	Screw-CARR
6	120-7037-03	1	Plate-HOC, LH	13	3296-29	6	Nut-Lock, NI
7	120-7038-03	1	Plate-HOC, RH	15	130-6658	4	Screw-Flange, Plastic

Rear Wheel Height-of-Cut Assembly



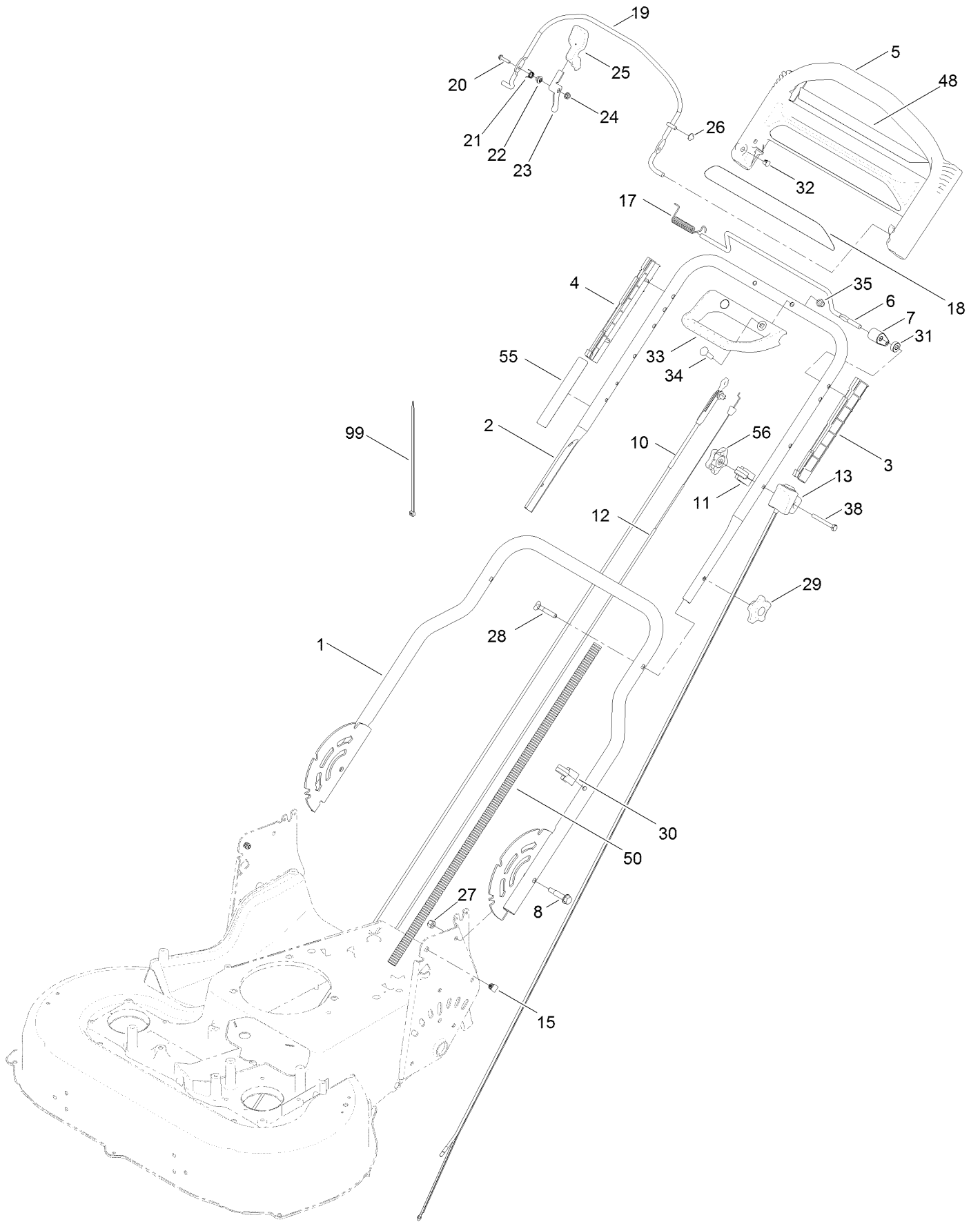
Rear Wheel Height-of-Cut Assembly (continued)

<i>Ref.</i>	<i>Part Number</i>	<i>Qty.</i>	<i>Description</i>	<i>Ref.</i>	<i>Part Number</i>	<i>Qty.</i>	<i>Description</i>
1	1-633295	1	Grip-Lever, Lift	17:1:1	130-2370	1	Transmission Pulley Kit ●
2	121-5799	1	Conduit-Convolute	18	120-6233	2	Cover-Gear
3	49-2040	2	Screw-HWHTF	19	131-0815	1	Axle-Rear
4	104-8301	2	Nut-HF, NI	20	125-2509	2	10 Inch Wheel Gear ASM
5	104-8699	1	Bearing-Ball	21	120-7008	1	Mount-Bearing
7	106-5681	1	Pin-Stop	22	120-7026	1	Spring-Extension
8	109-8020	2	Bearing-Ball	23	120-7027	1	Spring-Extension
9	110-7191	2	Washer-Thrust	24	121-5800	2	Conduit-Convolute
10	131-5399	2	Gear-Pinion, 15T	25	701243	8	Screw-HWHTF
12	120-3342-03	1	Plate-HOC, LH	26	32144-4	1	Screw-HWH
13	120-3343-03	1	Plate-HOC, RH	27	32151-61	1	Ring-Retaining
14	120-5208	1	Arm-Spring, Rear	28	36-4780	2	Washer-Plain
15	120-5209	1	Key-Springarm	29	121-5821	1	Bracket-Stop
16	131-5364	2	Retainer-Bearing	30	3296-47	1	Nut-Lock, NI
17	131-9665	1	Transmission Kit	31	125-2497	1	Decal-HOC, Rear
17:1		1	Transmission-Mv502 ■●	32	130-2369	2	Pin-Snap

● Not illustrated

■ Not serviced separately

Handle and Electrical Assembly



Handle and Electrical Assembly (continued)

<i>Ref.</i>	<i>Part Number</i>	<i>Qty.</i>	<i>Description</i>	<i>Ref.</i>	<i>Part Number</i>	<i>Qty.</i>	<i>Description</i>
1	120-5204-05	1	Handle-Lower	23	106-6802	1	Lever
2	132-4484-05	1	Handle-Upper	24	32128-17	1	Nut-Lock, Flange
3	105-6842	1	Guide-LH	25	112-8884	1	Knob
4	105-6841	1	Guide-RH	26	3290-337	1	Nut-Speed
5	104-8678	1	Handle-Control	27	3296-29	2	Nut-Lock, NI
6	99-1588	1	Bar-Control, Traction	28	92-2260	2	Screw-Handle
7	127-6842	1	Lever-Traction	29	117-5976	2	Knob-Handle
8	120-7025	2	Bolt-Shoulder, HHF	30	114-7988	1	Guide-Cable
10	133-1998	1	Cable-Brake	31	130-2343	1	Spacer
11	99-5239	1	Anchor-Cable	32	104-9368	1	Plug-Dome
12	127-6867	1	Cable-Traction	33	131-0847	1	Handle-Assist, Traction
13	117-5975	1	Switch Housing ASM	34	99-6005	2	Bolt-Carriage
15	132-4516	2	Plug-Square	35	131-4535	2	Nut-Acorn
17	121-9118	1	Spring-Torsion	38	321-50	1	Screw-HH
18	117-1019	1	Decal	48	121-2399	1	Decal-Assist, Traction
19	108-3788-03	1	Bail-Brake	50	121-5801	1	Conduit-Convolute
20	106-9169	1	Screw-HWH	55	132-4470	1	Decal-Traction, Adjust
21	107-7462	1	Spring-Torsion	56	131-0897	1	Knob-Handle, Locking
22	107-7463	1	Spacer	99	614249	2	Tie-Cable

Attachments and Accessories

For 21199 TimeMaster 30in Lawn Mower

Product Name	Model/Part
Briggs 1000 Maintenance Kit, Timemaster 2017 and after	130-8149
Replacement Blade Kit	20120P
Mower Cover	490-7461

Notes:

Notes:

Notes:



Count on it.