



Count on it.

Parts Catalog

22in Recycler®

Lawn Mower

Model No. 20333—Serial No. 316000001 and Up



Ordering Replacement Parts

To order replacement parts, please supply the part number, the quantity, and the description of each part desired.

Understanding Reference Numbers

Each identified part in an illustration has a reference number. The reference number for a part also appears in the parts list, along with other information about the part.

This catalog uses two special reference number formats, one to indicate parts in a service assembly and another to indicate the quantity of a given part in an illustration.

Service Assembly Reference Numbers

Parts in service assemblies have reference numbers in the form a:b. The a represents the reference number of the entire service assembly and the b represents a sequential number unique to each part within the service assembly.

For example, a wheel assembly might be identified by reference number 6, the tire by 6:1, the valve by 6:2, and the wheel by 6:3. When you order the assembly identified by reference number 6, you receive all parts identified by reference numbers 6:1, 6:2, and 6:3. However, you may also order any part individually. Reference numbers of this type appear in illustration and in parts lists.

Reference Numbers Indicating Quantity

In an illustration, if a reference number indicates more than one part, the reference number has the form nX y. The n represents the quantity of the part, the X is the multiplication symbol, and the y represents the reference number.

For example, in an illustration, the reference number 2X 37 means that two of the parts identified by reference number 37 are indicated.

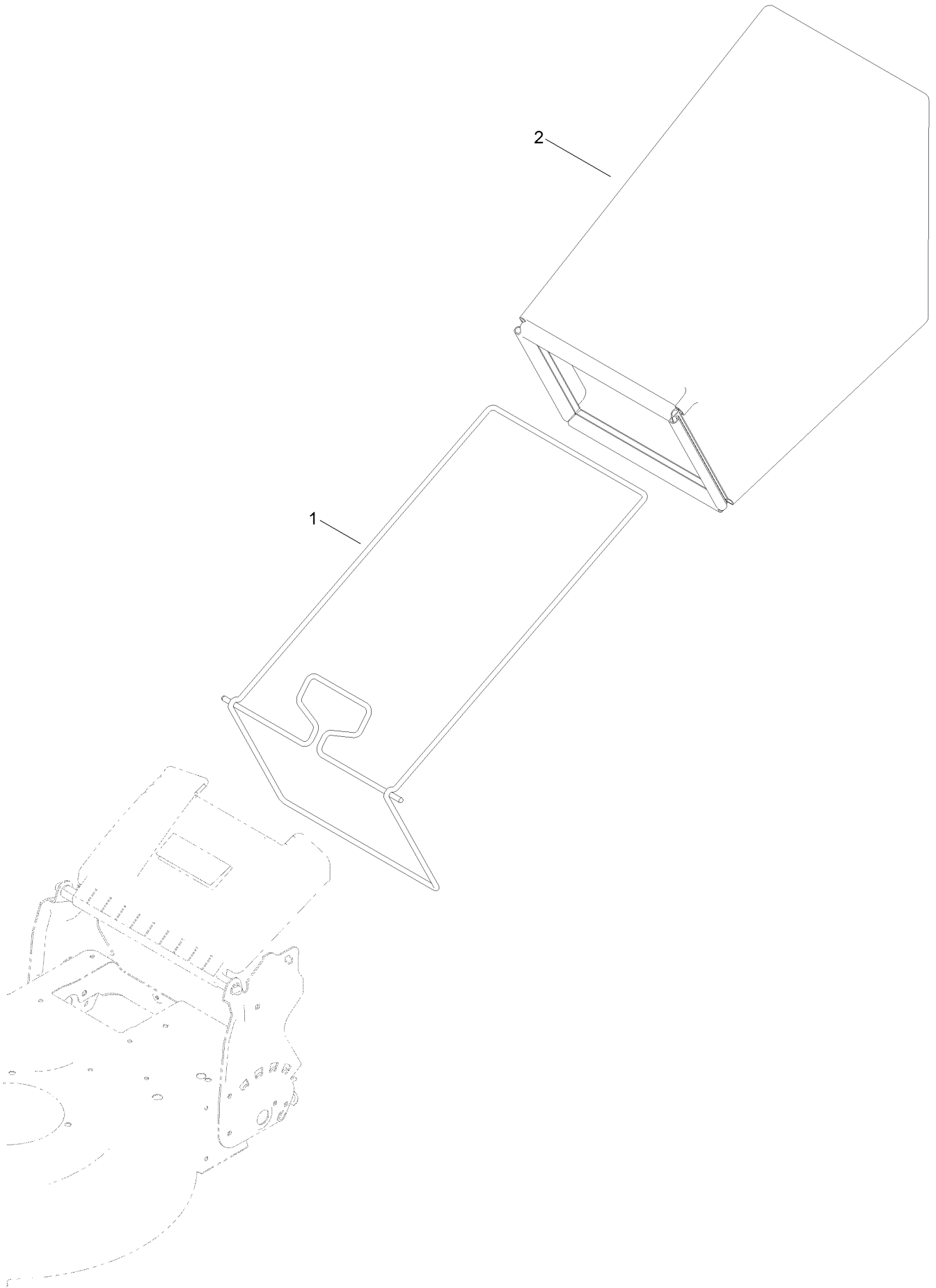
Contents

Deck, Side Chute and Rear Door Assembly	4
Rear Bag Assembly	6
Engine and Blade Assembly	8
Front Wheel and Height-of-Cut Assembly	10
Height-of-Cut and Rear Wheel Assembly	12
Handle Assembly	14
Upper Handle Component Assembly	16
Attachments and Accessories	18

Deck, Side Chute and Rear Door Assembly (continued)

<i>Ref.</i>	<i>Part Number</i>	<i>Qty.</i>	<i>Description</i>	<i>Ref.</i>	<i>Part Number</i>	<i>Qty.</i>	<i>Description</i>
1	130-2389	1	Housing ASM	16	114-7959	1	Latch-Recycle
1:2	94-8072	1	Decal-Danger	17	117-1031	1	Spring-Compression
1:3	115-4676	1	Decal-Recycler	18	32104-120	2	Screw-PPH
1:4	112-8867	1	Decal-Port, Washout	19	121-5776	1	Rear Door ASM
2	114-7963-01	1	Baffle-Front	19:2	131-4514	1	Decal-Warning
5	114-7961	1	Baffle-Rear	20	115-2859	1	Spring-Torsion
6	132-4501	1	Chute-Recycle	21	114-7924	1	Spring-Torsion
7	46-8091	9	Screw-HWH	22	112-6400	1	Port-Washout
8	112-6416	1	Bracket-Cover	23	112-6401	1	Coupling-Hose, Washout Port
9	99-8445	2	Screw-HWH	25	112-6438	1	Washer-Seal, Washout Port
10	99-5291	1	Rod-Cover	26	3254-5	1	Washer-Tooth, Internal
11	99-5293	1	Spring-Torsion	27	3218-6	1	Nut-Jam
12	115-8449	1	Deflector-Side	29	114-7987	1	Bumper
13	115-8447	1	Chute-Discharge, Side	30	105-6849	2	Screw-Forming, Thread
14	114-7960	1	Deflector-Recycle	43	125-5026	1	Decal
15	114-7958	1	Knob-Recycle				

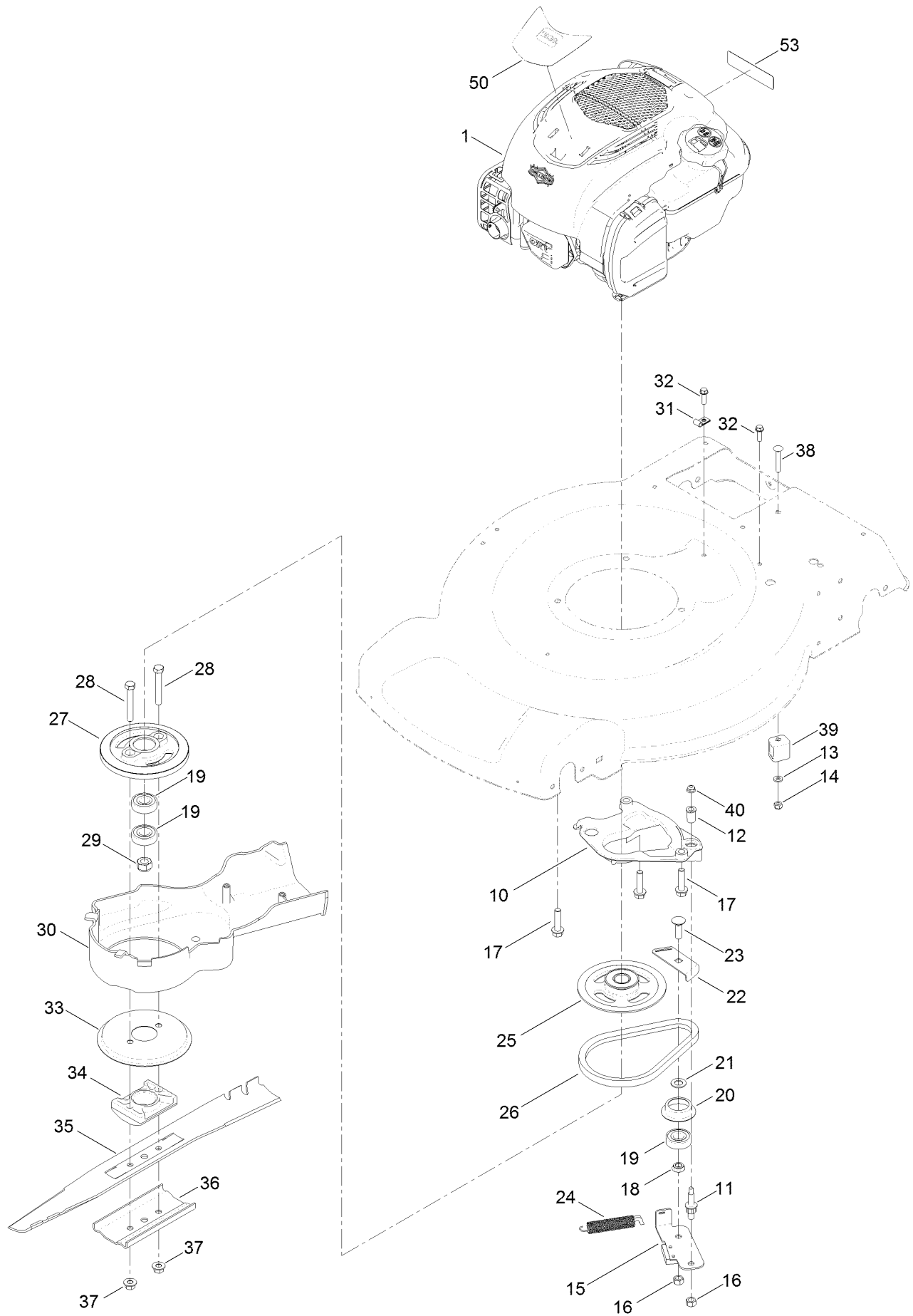
Rear Bag Assembly



Rear Bag Assembly (continued)

<i>Ref.</i>	<i>Part Number</i>	<i>Qty.</i>	<i>Description</i>
1	132-4503-03	1	Frame-Bag
2	115-4673	1	Grass Bag ASM

Engine and Blade Assembly



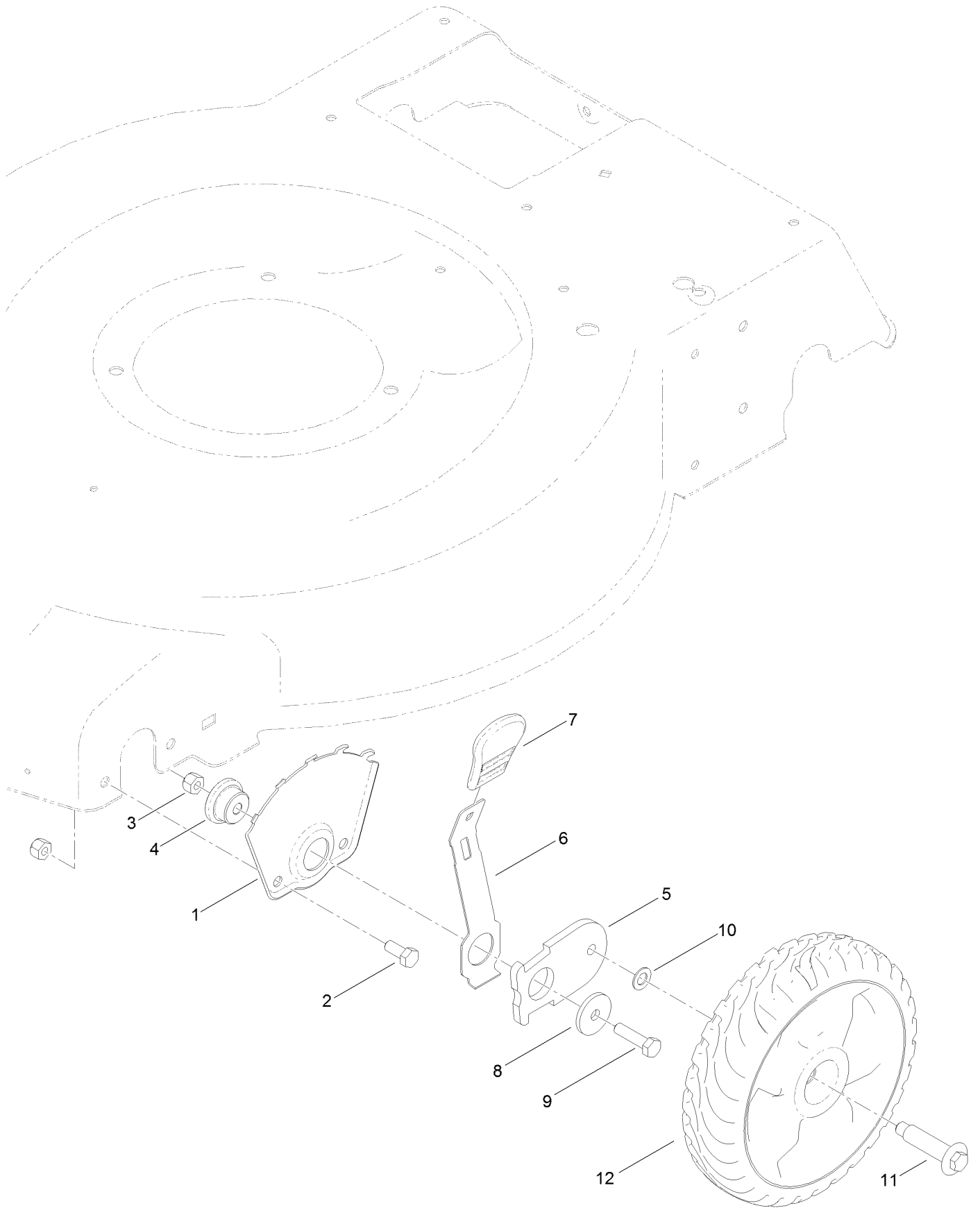
Engine and Blade Assembly (continued)

<i>Ref.</i>	<i>Part Number</i>	<i>Qty.</i>	<i>Description</i>	<i>Ref.</i>	<i>Part Number</i>	<i>Qty.</i>	<i>Description</i>
1		1	Engine-Briggs, 128M02-0001-F1 ●■	26	110-1790	1	Belt
10	108-9341	1	Plate-Anchor	27	107-0754	1	Drum
11	107-0759	1	Bolt-Shoulder	28	3211-42	2	Screw-HH
12	107-0797	1	Bushing	29	108-9342	1	Nut-Hex
13	3256-16	1	Washer-Flat	30	115-2892	1	Cover
14	3296-73	1	Nut-Lock, NI	31	2412-72	1	Clip-Closed, Insulated
15	125-1063	1	Plate-Brake	32	46-8091	2	Screw-HWH
16	125-5069	2	Nut-Hex	33	108-3787	1	Disc
17	32144-102	3	Screw-HWH	34	107-7487	1	Support-Blade
18	107-0758	1	Spacer-Bearing	35	131-4547-03	1	Blade-22 Inch
19	38-7820	3	Bearing-Ball	36	108-3766-03	1	Support-Blade
20	108-3790	1	Retainer-Belt	37	127-6852	2	Nut-Flange, Lock
21	605256	1	Washer-Plain	38	3229-5	1	Screw-CARR
22	107-7471	1	Plate-Guide	39	106-6801	1	Anchor-Cable
23	3231-25	1	Bolt-CARR	40	104-7201	1	Nut-HF
24	108-3792	1	Spring-Tension, Brake	50	130-2357	1	Decal-Shroud
25	117-5970	1	Pulley	53	117-2718	1	Decal-Arrester, Spark

● Not serviced separately

■ Obtain parts from www.briggsandstratton.com

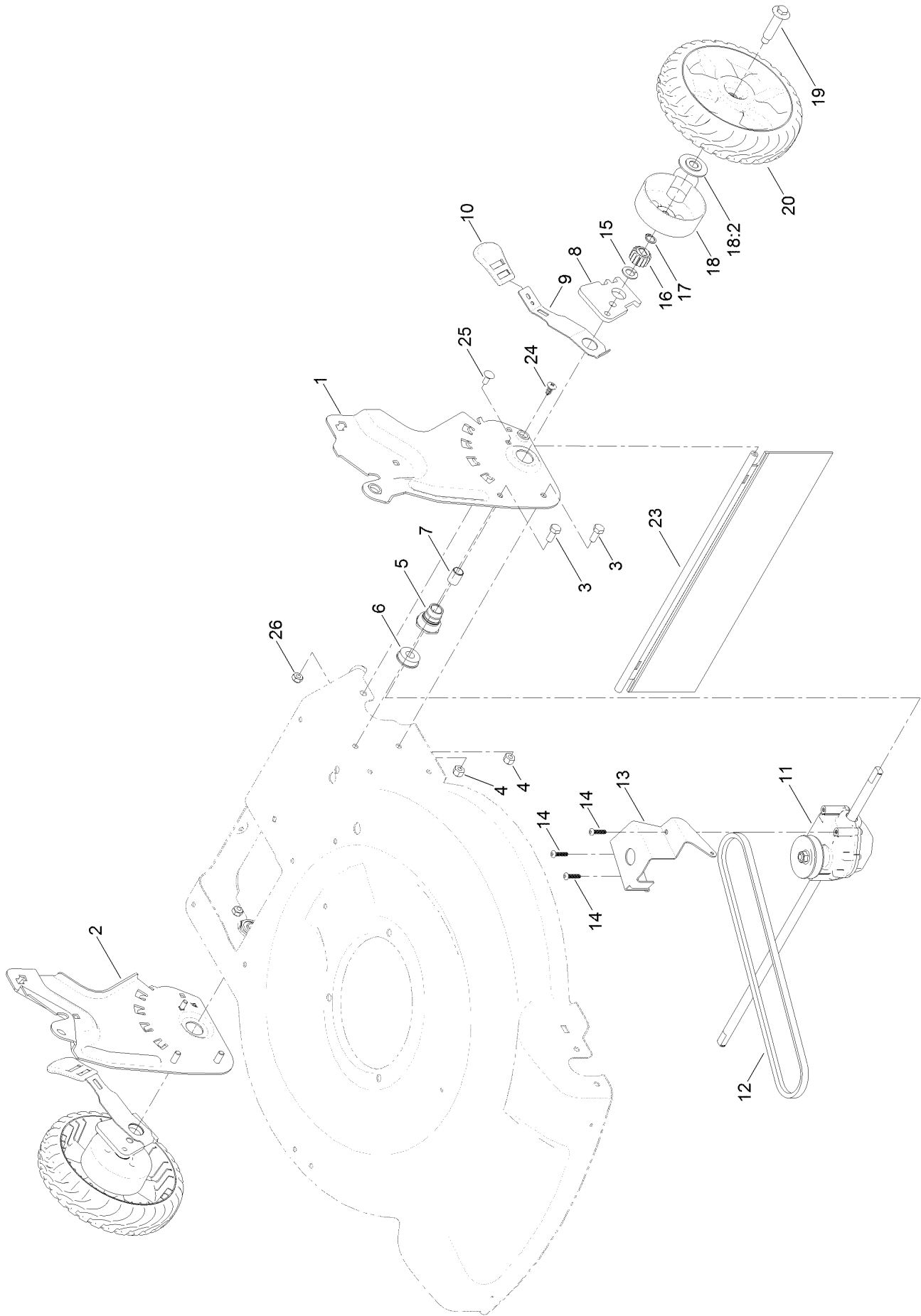
Front Wheel and Height-of-Cut Assembly



Front Wheel and Height-of-Cut Assembly (continued)

<i>Ref.</i>	<i>Part Number</i>	<i>Qty.</i>	<i>Description</i>	<i>Ref.</i>	<i>Part Number</i>	<i>Qty.</i>	<i>Description</i>
1	115-1956-03	2	Plate-HOC, Front	7	110-0549	2	Knob-HOC
2	322-3	4	Screw-HH	8	105-3048	2	Washer-Flat
3	3296-29	6	Nut-Lock, NI	9	322-6	2	Screw-HH
4	105-1818	2	Bushing-Mount, HOC	10	40-1940	2	Washer
5	105-1807	2	Arm-Pivot, Front	11	614650	2	Bolt-Shoulder
6	105-1809	2	Arm-Spring	12	115-2894	2	8 Inch Wheel ASM

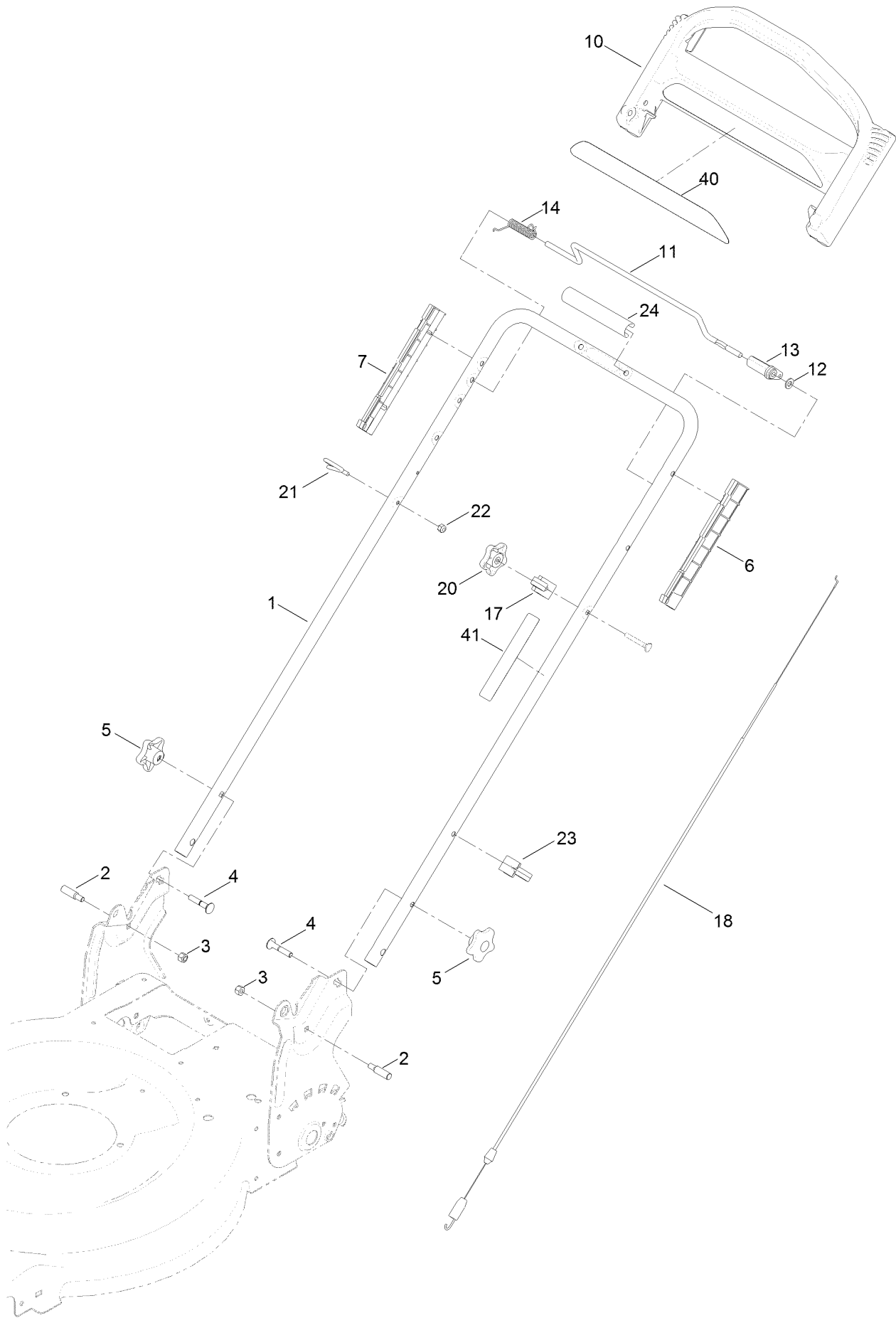
Height-of-Cut and Rear Wheel Assembly



Height-of-Cut and Rear Wheel Assembly (continued)

<i>Ref.</i>	<i>Part Number</i>	<i>Qty.</i>	<i>Description</i>	<i>Ref.</i>	<i>Part Number</i>	<i>Qty.</i>	<i>Description</i>
1	131-9693-03	1	Plate-HOC, LH	14	108-7476	3	Screw-Plastite
2	131-9694-03	1	Plate-HOC, RH	15	110-7191	2	Washer-Thrust
3	322-3	4	Screw-HH	16	110-9417	2	Gear-Pinion, 15T
4	3296-29	4	Nut-Lock, NI	17	32151-61	2	Ring-Retaining
5	108-9779	2	Retainer-Bushing, HOC	18	132-4480	2	Cover-Gear
6	104-8699	2	Bearing-Ball	18:2	614426	1	Washer-Stepped
7	108-9782	2	Bushing-Sleeve	19	614650	2	Bolt-Shoulder
8	132-4459	2	Arm-Pivot, Rear	20	119-3822	2	8 Inch Wheel Gear ASM
9	108-9780	2	Arm-Spring	23	120-7012	1	Shield-Trailing
10	110-0549	2	Knob-HOC	24	117-1092	2	Screw-PTH
11	121-9178	1	Transmission ASM	25	3229-11	2	Screw-CARR
12	115-4669	1	Belt-V	26	3296-16	2	Nut-Lock, NI
13	114-7977-03	1	Bracket-Transmission				

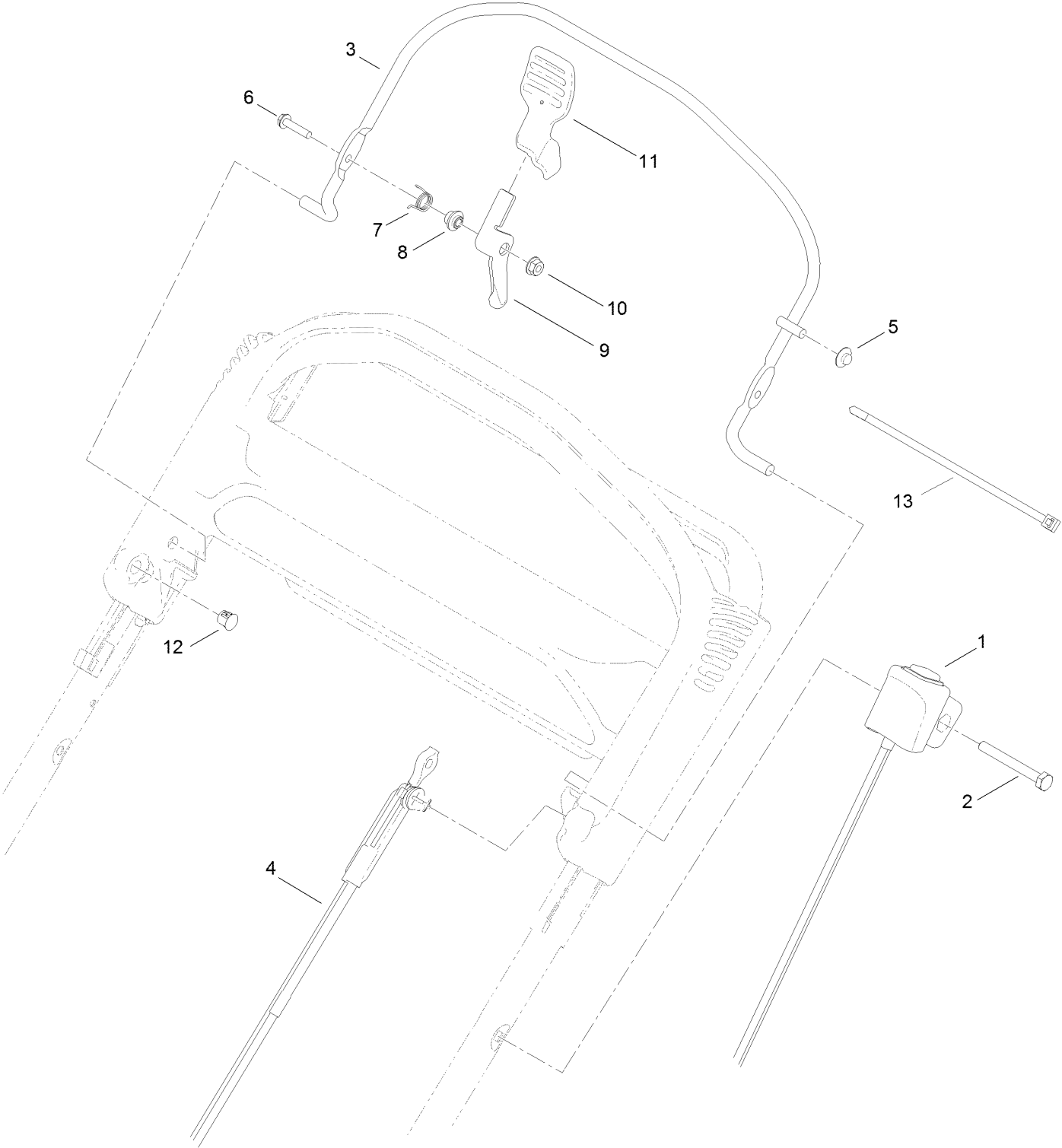
Handle Assembly



Handle Assembly (continued)

<i>Ref.</i>	<i>Part Number</i>	<i>Qty.</i>	<i>Description</i>	<i>Ref.</i>	<i>Part Number</i>	<i>Qty.</i>	<i>Description</i>
1	131-9695-05	1	Handle	14	121-9118	1	Spring-Torsion
2	131-4591	2	Bolt-Shoulder	17	99-5239	1	Anchor-Cable
3	3296-29	2	Nut-Lock, NI	18	115-8435	1	Cable-Traction
4	131-9663	2	Screw-CARR	20	131-0897	1	Knob-Handle, Locking
5	117-5976	2	Knob-Handle	21	86-9671	1	Guide-Rope
6	105-6842	1	Guide-LH	22	3296-73	1	Nut-Lock, NI
7	105-6841	1	Guide-RH	23	114-7988	1	Guide-Cable
10	104-8678	1	Handle-Control	24	131-4551	1	Handle-Cover
11	99-1588	1	Bar-Control, Traction	40	117-1019	1	Decal
12	3256-23	1	Washer-Plain	41	132-4470	1	Decal-Traction, Adjust
13	99-1589	1	Lever-Traction				

Upper Handle Component Assembly



Upper Handle Component Assembly (continued)

<i>Ref.</i>	<i>Part Number</i>	<i>Qty.</i>	<i>Description</i>	<i>Ref.</i>	<i>Part Number</i>	<i>Qty.</i>	<i>Description</i>
1	117-5975	1	Switch Housing ASM	8	107-7463	1	Spacer
2	321-50	1	Screw-HH	9	106-6802	1	Lever
3	108-3788-03	1	Bail-Brake	10	32128-17	1	Nut-Lock, Flange
4	115-8439	1	Cable-Brake	11	112-8884	1	Knob
5	3290-337	1	Nut-Speed	12	104-9368	1	Plug-Dome
6	106-9169	1	Screw-HWH	13	614249	2	Tie-Cable
7	107-7462	1	Spring-Torsion				

Attachments and Accessories

For 20333 22in Recycler Lawn Mower

Product Name	Model/Part
Loose Parts Kit	117-4132
Fuel Stabilizer .05 oz	130-2393
Traction Assist Handle Kit.....	131-4590
Toro WPM Maintenance Kit	20234
Lawn Striping Kit with 22in Roller.....	20601
Replacement Drive Belt Kit, 22-inch 2009 and After Rear-Wheel Drive Lawn Mower	38991
Lawnmower Cover	490-7462
Replacement Bag	59310
Replacement Frame and Bag Kit.....	59312
8in Gear Wheel ASM	59502
8in Gear Wheel ASM RWD.....	59503
22 Inch Atomic Blade	59534P

Notes:



Count on it.