



Deck Ski Kit

Brush Cutter

Model No. 137-7608

Installation Instructions

▲ WARNING

CALIFORNIA Proposition 65 Warning

This product contains a chemical or chemicals known to the State of California to cause cancer, birth defects, or reproductive harm.

Installation

1. Park the machine on a level surface.
2. Shut off the machine and remove the key.
3. Remove the 3 bolts and 3 nuts from 1 side of the cutter deck (Figure 1).

Note: Discard the bolts.

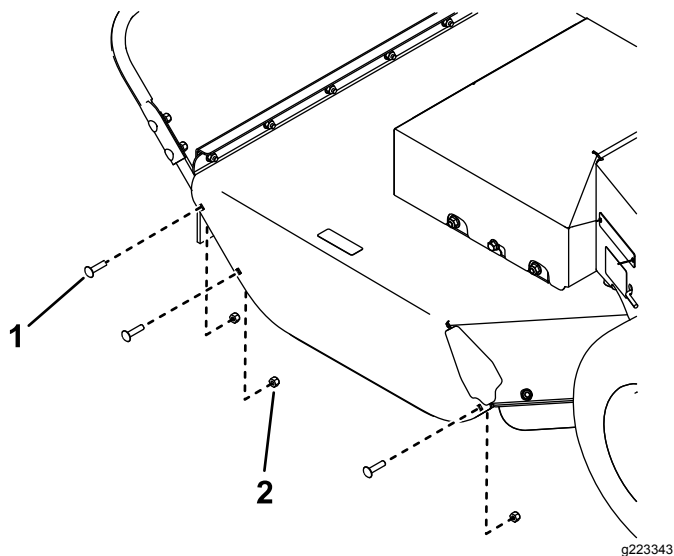


Figure 1

1. Bolt (3)
2. Nut (3)

4. Using 3 bolts and the 3 nuts you removed, install a deck ski (Figure 2).

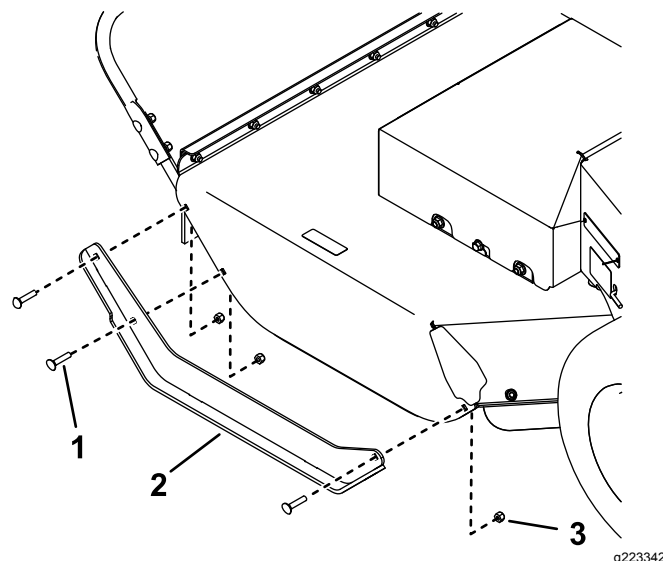


Figure 2

1. Bolt (3)
2. Deck ski
3. Nut (3)

5. Repeat for the other side of the cutter deck.

