



**Count on it.**

**Parts Catalog**

**48in Blower and Drive Kit**

**E-Z Vac™ HD Bagger for TITAN® HD 1500 or  
2000 Series Riding Mower**

**Model No. 78433—Serial No. 40000000 and Up**



# Ordering Replacement Parts

To order replacement parts, please supply the part number, the quantity, and the description of each part desired.

## Understanding Reference Numbers

Each identified part in an illustration has a reference number. The reference number for a part also appears in the parts list, along with other information about the part.

This catalog uses two special reference number formats, one to indicate parts in a service assembly and another to indicate the quantity of a given part in an illustration.

## Service Assembly Reference Numbers

Parts in service assemblies have reference numbers in the form a:b. The a represents the reference number of the entire service assembly and the b represents a sequential number unique to each part within the service assembly.

For example, a wheel assembly might be identified by reference number 6, the tire by 6:1, the valve by 6:2, and the wheel by 6:3. When you order the assembly identified by reference number 6, you receive all parts identified by reference numbers 6:1, 6:2, and 6:3. However, you may also order any part individually. Reference numbers of this type appear in illustration and in parts lists.

## Reference Numbers Indicating Quantity

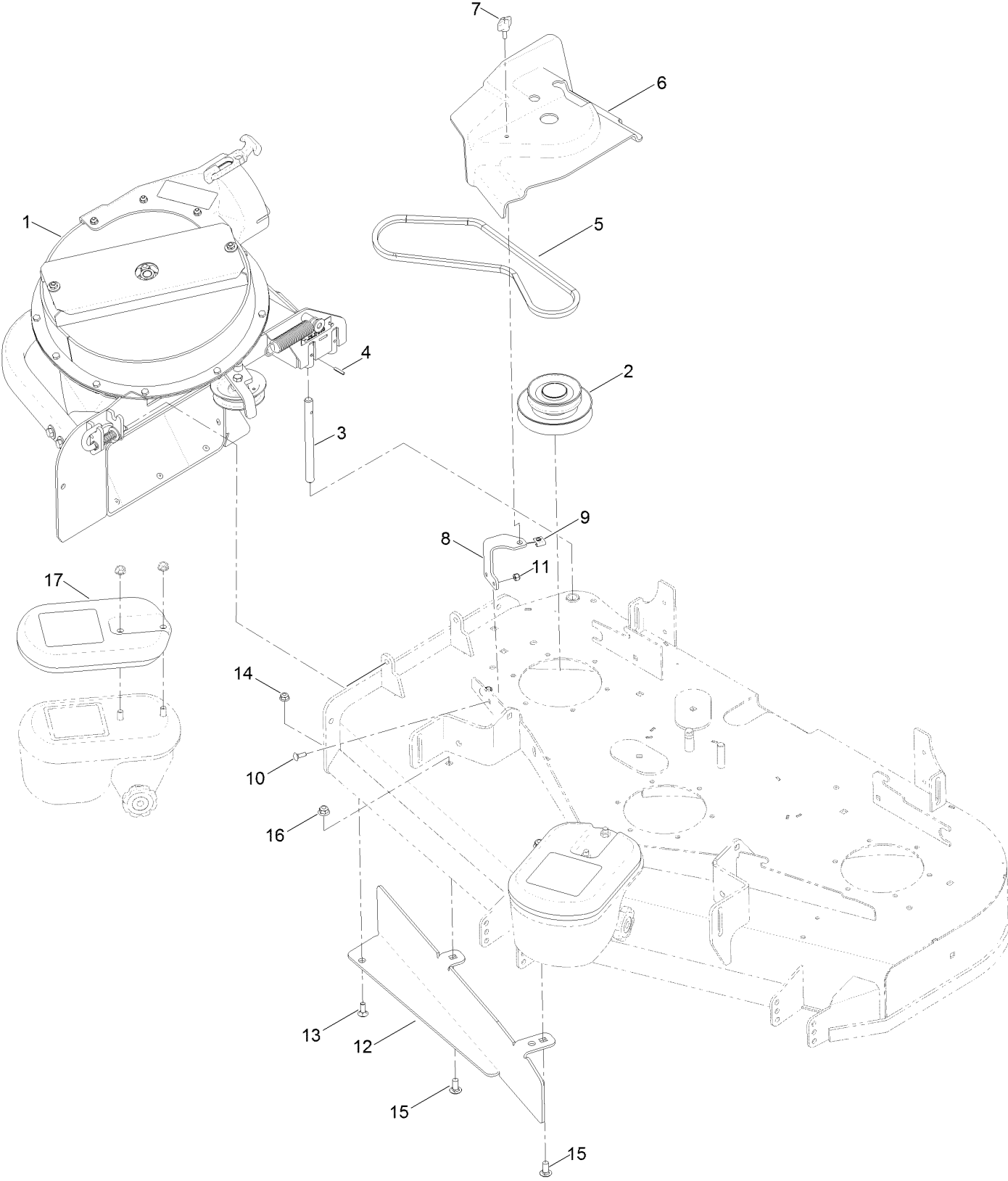
In an illustration, if a reference number indicates more than one part, the reference number has the form nX y. The n represents the quantity of the part, the X is the multiplication symbol, and the y represents the reference number.

For example, in an illustration, the reference number 2X 37 means that two of the parts identified by reference number 37 are indicated.

# Contents

Blower and Drive Assembly ..... 4  
Blower Assembly No. 126-7697 ..... 6

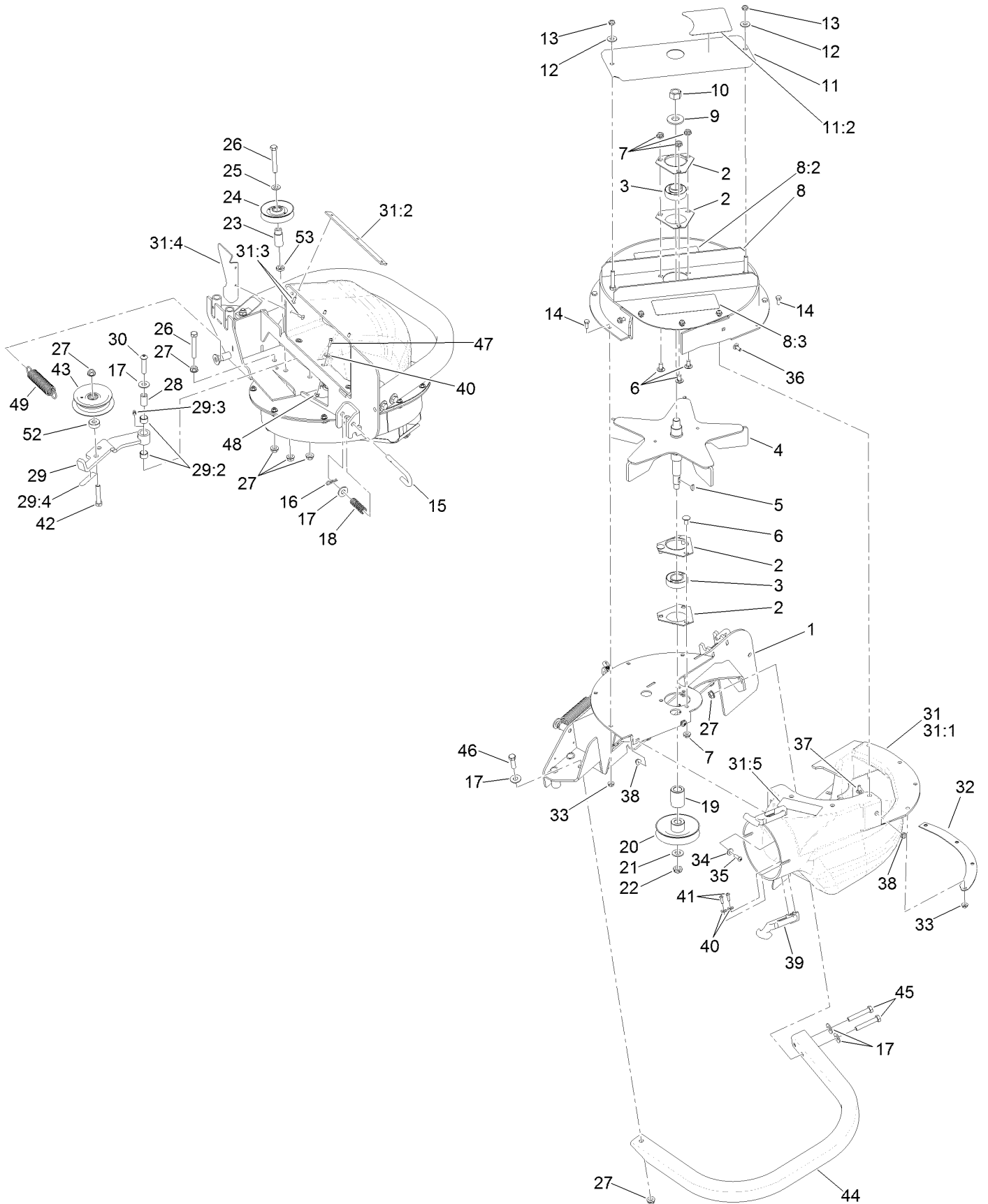
# Blower and Drive Assembly



## Blower and Drive Assembly (continued)

<i>Ref.</i>	<i>Part Number</i>	<i>Qty.</i>	<i>Description</i>	<i>Ref.</i>	<i>Part Number</i>	<i>Qty.</i>	<i>Description</i>
1	126-7697	1	Blower ASM	10	3229-1	2	Bolt-CARR
2	126-7715	1	Drive-Jackshaft	11	3296-42	2	Nut-Lock, NI
3	1-353050	1	Shaft-Catcher, Grass	12	120-3249-01	1	Baffle-Bagger
4	1-806323	1	Pin-Roll	13	3230-16	1	Screw-CARR
5	135-0519	1	Belt-V	14	104-8300	1	Nut-HF, NI
6	117-8642	1	Cover-Belt	15	3231-27	2	Screw-CARR
7	98-8332	1	Knob	16	104-8301	2	Nut-HF, NI
8	115-3637-01	1	Bracket-Cover, Belt	17	126-9684	2	Weight
9	609900	1	Nut-Speed				

# Blower Assembly No. 126-7697



## Blower Assembly No. 126-7697 (continued)

<i>Ref.</i>	<i>Part Number</i>	<i>Qty.</i>	<i>Description</i>	<i>Ref.</i>	<i>Part Number</i>	<i>Qty.</i>	<i>Description</i>
1	126-7613-03	1	Mount-Blower	29	117-0345	1	Idler Arm ASM W/Bushings
2	1-513013	4	Housing-Flange	29:2	1-653600	2	Bushing
3	1-653346	2	Bearing	29:3	302-19	1	Fitting-Grease
4	103-3815	1	Impeller	29:4	126-4659	1	Decal-Warning
5	3257-32	1	Key-Woodruff	30	3274-107	1	Screw-HSBH
6	3230-18	6	Screw-CARR	31	116-6487	1	Blower Chute ASM
7	32128-20	6	Nut-HF	31:1	116-4991	1	Chute-Blower, Small
8	126-9450	1	Upper-Housing W/Decals	31:2	103-4752-03	1	Plate-Reinforcing
8:2	126-9451	1	Decal-Warning	31:3	114439	5	Rivet-Pop
8:3	135-0410	1	Decal-E-Z Vac	31:4	116-6486-03	1	Plate-Filler
9	1-513208	1	Washer-Spring	31:5	126-4853	1	Decal-Warning
10	3219-6	1	Nut-Hex	32	1-653596-03	1	Plate-Backing, Blower
11	126-9785	1	Cover-Bearing W/Decal	33	32128-33	8	Nut-HF
11:2	126-9595	1	Decal-Warning	34	3256-22	2	Washer-Flat
12	3256-3	2	Washer-Flat	35	3274-69	2	Screw-HSBH
13	3296-47	2	Nut-Lock, NI	36	3229-1	2	Bolt-CARR
14	321-3	8	Screw-HH	37	3229-11	3	Screw-CARR
15	116-4356	1	Pin-Latch	38	104-7201	7	Nut-HF
16	3290-307	1	Pin-Cotter	39	103-4080	2	Latch-Rubber
17	3256-4	5	Washer-Flat	40	3256-16	7	Washer-Flat
18	121-3249	1	Spring-Compression	41	3274-39	4	Screw-HSBH
19	1-653365	1	Spacer	42	323-10	1	Screw-HH
20	112-2345	1	Pulley	43	103-1103	1	Idler-Flat
21	3256-26	1	Washer-Flat	44	109-1122-01	1	Bumper
22	3296-28	1	Nut-Lock, NI	45	323-11	2	Screw-HH
23	1-653366	1	Hub	46	323-7	1	Screw-HH
24	1-653322	1	Idler-Inside	47	104-2408	3	Screw-HSBH
25	3256-24	1	Washer-Flat	48	3296-2	3	Nut-Lock, NI
26	323-12	2	Screw-HH	49	1-603693	1	Spring-Extension
27	3290-357	8	Nut-HHF, Whiz	52	135-0456	1	Spacer
28	103-0130	1	Bushing-Pivot, Idler	53	135-0457	1	Spacer



**Count on it.**