



Count on it.

Parts Catalog

TRX-20

Trencher

Model No. 22973—Serial No. 40000000 and Up

Model No. 22973G—Serial No. 40000000 and Up



Ordering Replacement Parts

To order replacement parts, please supply the part number, the quantity, and the description of each part desired.

Understanding Reference Numbers

Each identified part in an illustration has a reference number. The reference number for a part also appears in the parts list, along with other information about the part.

This catalog uses two special reference number formats, one to indicate parts in a service assembly and another to indicate the quantity of a given part in an illustration.

Service Assembly Reference Numbers

Parts in service assemblies have reference numbers in the form a:b. The a represents the reference number of the entire service assembly and the b represents a sequential number unique to each part within the service assembly.

For example, a wheel assembly might be identified by reference number 6, the tire by 6:1, the valve by 6:2, and the wheel by 6:3. When you order the assembly identified by reference number 6, you receive all parts identified by reference numbers 6:1, 6:2, and 6:3. However, you may also order any part individually. Reference numbers of this type appear in illustration and in parts lists.

Reference Numbers Indicating Quantity

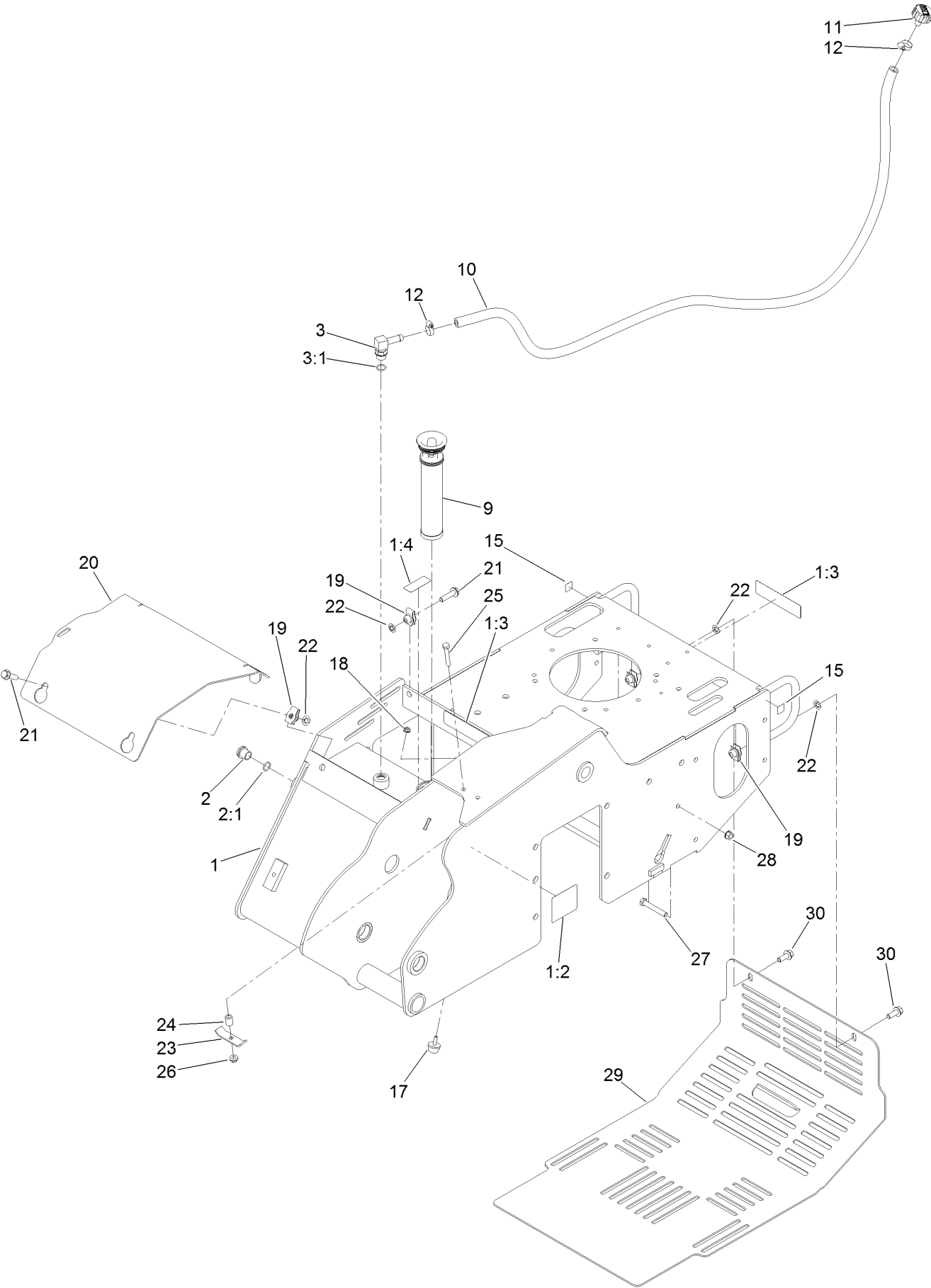
In an illustration, if a reference number indicates more than one part, the reference number has the form nX y. The n represents the quantity of the part, the X is the multiplication symbol, and the y represents the reference number.

For example, in an illustration, the reference number 2X 37 means that two of the parts identified by reference number 37 are indicated.

Contents

Main Frame Assembly	4
Tower and Fuel Tank Assembly	6
Track Drive Assembly	8
Hydraulic Pump Assembly No. 117-6409	10
Hydraulic Pump Assembly No. 117-6410	12
Hydraulic Motor Assembly No. 104-8470	14
Parking Brake Assembly	16
Engine Assembly	18
Gear Pump, Idler Arm and Pulley Assembly	20
Gear Pump Assembly No. 114-3072	22
Hydraulic Control Assembly	24
2-Spool Valve Assembly No. 115-4062	26
Hydraulic Motor Assembly No. 131-0652	27
Hydraulic Oil Cooler Assembly	28
Trencher Head and Auger Assembly	30
Traction Control Assembly	32
Electrical Assembly	34
Cylinder and Crankcase Assembly	36
Piston and Crankshaft Assembly	37
Valve and Camshaft Assembly	38
Lubrication Equipment Assembly	39
Cooling Equipment Assembly	40
Electric Equipment Assembly	41
Control Equipment Assembly	42
Carburetor Assembly	43
Air Filter and Muffler Assembly	44
Fuel Pump and Filter Assembly	45
Starter Assembly	46
Label Set	47
Attachments and Accessories	48

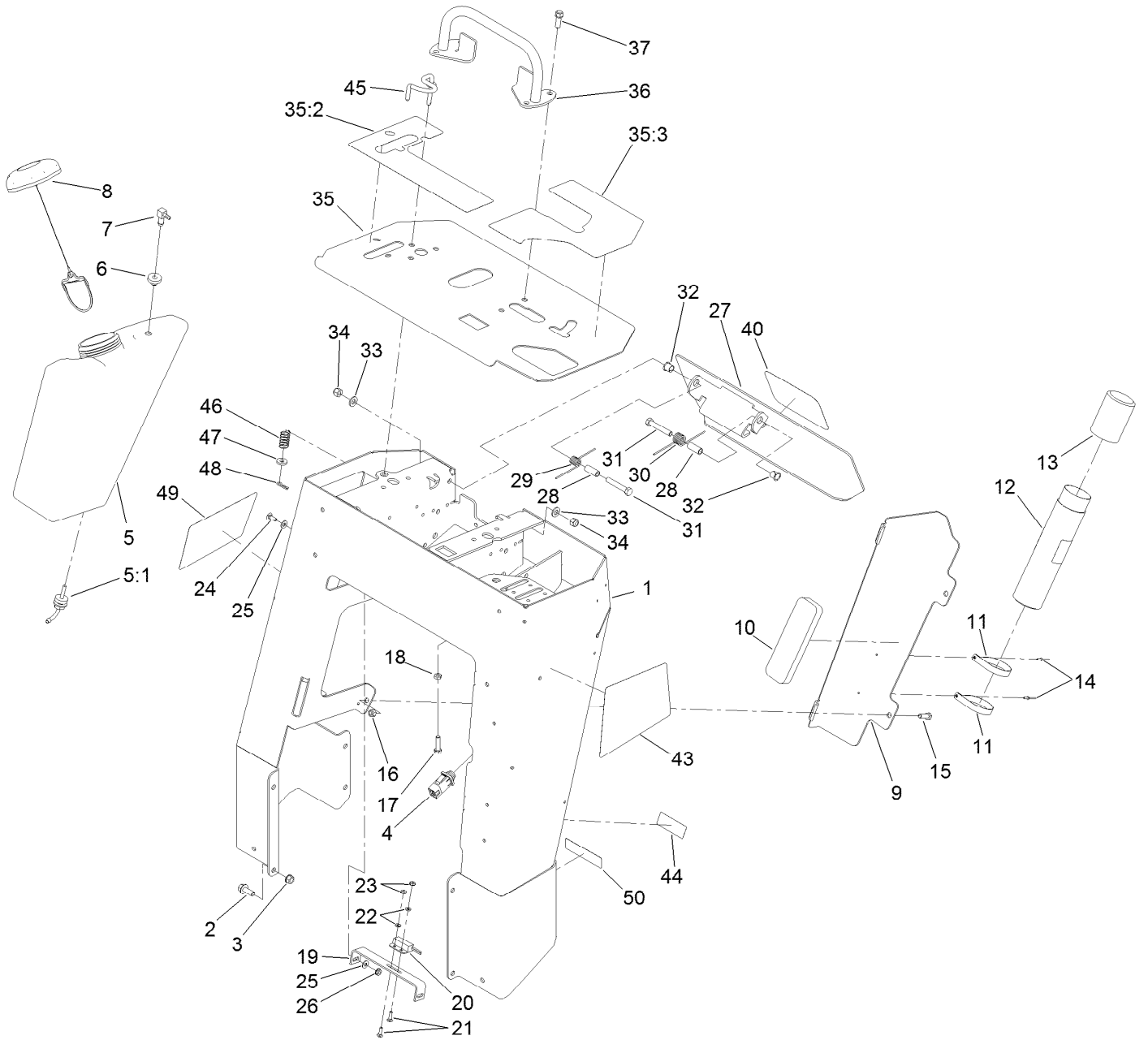
Main Frame Assembly



Main Frame Assembly (continued)

<i>Ref.</i>	<i>Part Number</i>	<i>Qty.</i>	<i>Description</i>	<i>Ref.</i>	<i>Part Number</i>	<i>Qty.</i>	<i>Description</i>
1	127-9602	1	Main Frame ASM	18	32128-33	1	Nut-HF
1:2	100-4650	1	Decal-Warning	19	105-4886	5	Nut-Tinnerman
1:3	93-7814	2	Decal-Danger	20	119-4566-03	1	Plate-Cover, Front
1:4	93-6686	1	Decal-Oil, HYD	21	3234-18	3	Screw-HHF
2	114-3075	1	Sight Glass ASM	22	107-3154	5	Nut-Push
2:1	237-79	1	O-Ring	23	100-4860	1	Bracket-Clamp
3	354-120	1	Fitting-HYD, 90 DEG	24	93-5023	1	Spacer
3:1	237-79	1	O-Ring	25	322-10	1	Screw-HH
9	114-3039	1	In-Tank Filter ASM	26	32128-20	1	Nut-HF
10	114-3042	1	Hose-Breather	27	323-12	1	Screw-HH
11	68-6150	1	Breather	28	32128-40	2	Nut-Flange
12	2412-36	2	Clamp-Hose	29	115-6503-01	1	Cover-Rear
15	93-9084	2	Decal-Point, Lift	30	3234-11	2	Screw-HHF
17	1-523420	1	Bumper				

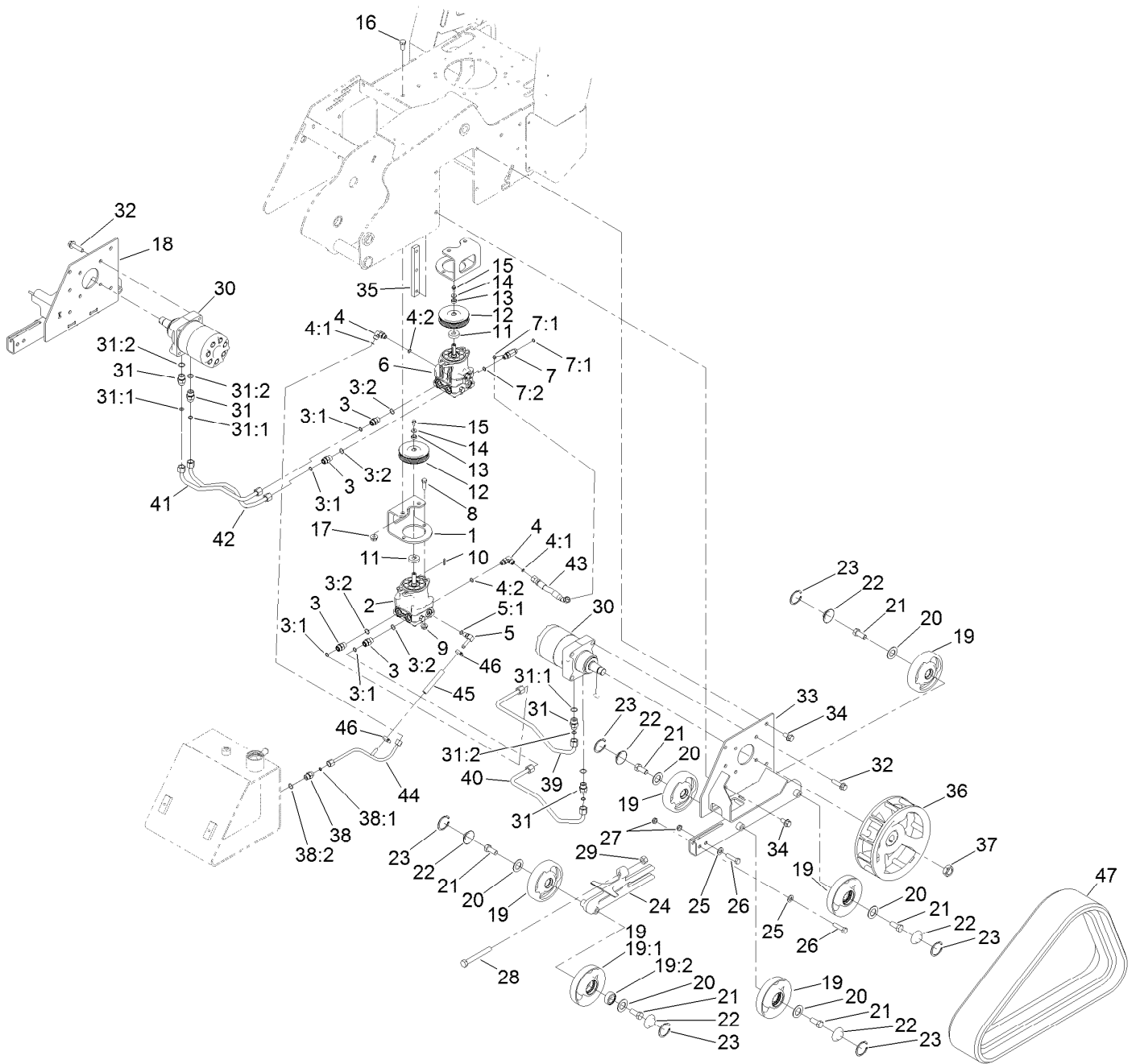
Tower and Fuel Tank Assembly



Tower and Fuel Tank Assembly (continued)

<i>Ref.</i>	<i>Part Number</i>	<i>Qty.</i>	<i>Description</i>	<i>Ref.</i>	<i>Part Number</i>	<i>Qty.</i>	<i>Description</i>
1	117-6419-01	1	Tower	25	3256-22	4	Washer-Flat
2	3234-11	8	Screw-HHF	26	32149-2	2	Nut-Keps
3	32128-40	8	Nut-Flange	27	114-3012-03	1	Plate-Reverse
4	100-1268	1	Switch-Plunger	28	114-1337	2	Spacer-Spring
5	120-7357	1	Tank-Fuel	29	98-8425	1	Spring-Torsion, LH
5:1	103-2605	1	Fitting-Fuel, Bulkhead	30	98-8424	1	Spring-Torsion, RH
6	46-6560	1	Bushing	31	323-11	2	Screw-HH
7	104-5228	1	Fitting-Elbow, 90 DEG	32	256-257	2	Bushing-Nyliner
8	120-5461	1	Cap-Fuel, Ratcheting	33	3256-24	2	Washer-Flat
9	114-3065-01	1	Bracket-Cover, Tank	34	3296-39	2	Nut-Lock, NI
10	107-7507	1	Pad-Foam	35	117-6389	1	Panel-Control
11	2412-120	2	Clamp-R	35:2	115-1231	1	Decal-Console, RH
12	104-7050	1	Tube-Manual	35:3	115-1230	1	Decal-Console, LH
13	104-7048	1	Cap-Housing	36	106-7715	1	Bar-Reference
14	3269-17	2	Rivet-Pop	37	95-1726	4	Screw-Taptite
15	322-5	2	Screw-HH	40	105-1217	1	Decal
16	3296-29	2	Nut-Lock, NI	43	117-6282	1	Decal-Side, LH
17	3210-7	1	Screw-HH	44	120-7532	1	Decal-Info
18	3220-2	1	Nut-Jam	45	114-8727	1	Rod-Interlock
19	100-1263	1	Plate-Switch	46	85-6750	1	Spring-Control
20	100-1270	1	Switch-Proximity	47	88-7200	1	Washer-Flat
21	3229-20	2	Screw-CARR	48	3290-307	1	Pin-Cotter
22	3256-51	2	Washer-Flat	49	117-6271	1	Decal-Side, RH
23	32149-7	2	Nut-Keps	50	117-2718	1	Decal-Arrester, Spark
24	3229-1	2	Bolt-CARR				

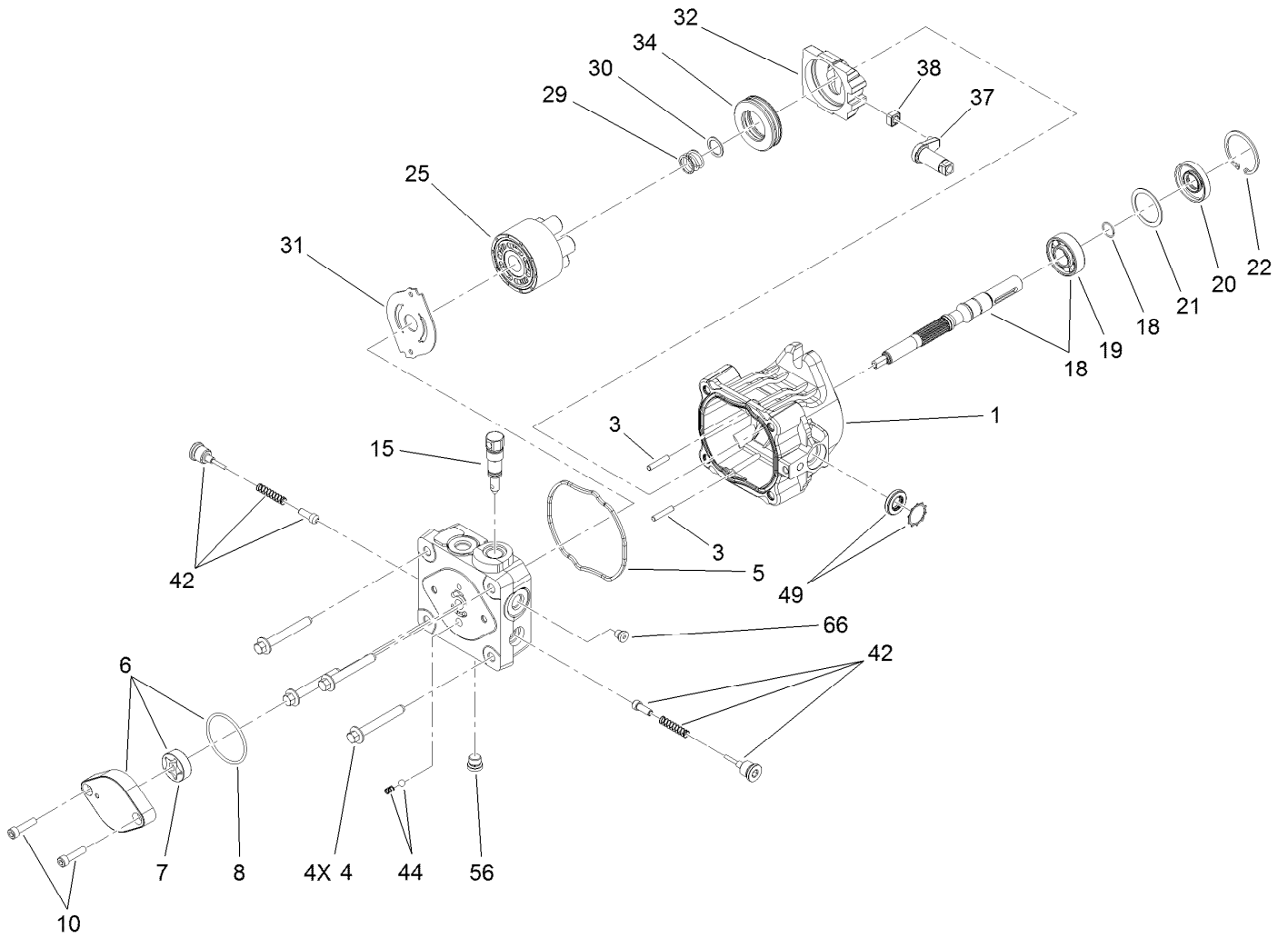
Track Drive Assembly



Track Drive Assembly (continued)

<i>Ref.</i>	<i>Part Number</i>	<i>Qty.</i>	<i>Description</i>	<i>Ref.</i>	<i>Part Number</i>	<i>Qty.</i>	<i>Description</i>
1	115-1289-03	2	Bracket-Mount, Pump	22	106-7557	12	Cap-Wheel, Bearing
2	117-6409	1	RH HYD Pump ASM	23	106-7595	12	Ring-Snap, Internal
3	340-4	4	Fitting-Straight	24	114-3077-03	2	Tensioner-Track
3:1	237-30	1	O-Ring	25	3256-26	4	Washer-Flat
3:2	237-79	1	O-Ring	26	325-8	4	Screw-HH
4	340-77	2	Fitting-Elbow-90	27	3296-45	4	Nut-Lock, NI
4:1	237-22	1	O-Ring	28	112-4874	2	Screw-HH, TAP
4:2	237-42	1	O-Ring	29	3217-11	2	Nut-Hex
5	100-4887	1	Fitting-Barbed	30	104-8470	2	HYD Wheel Motor ASM
5:1	237-42	1	O-Ring	31	340-6	4	Fitting-Straight
6	117-6410	1	LH HYD Pump ASM	31:1	237-30	1	O-Ring
7	340-86	1	Fitting-Tee	31:2	237-80	1	O-Ring
7:1	237-22	2	O-Ring	32	3234-27	8	Screw-HHF
7:2	237-42	1	O-Ring	33	114-2992-03	1	Frame-Track, LH
8	324-5	4	Screw-HH	34	3234-6	10	Screw-HHF
9	32128-42	4	Nut-HF	35	114-3091	2	Bar-Thread
10	80-6090	2	Key-Pump	36	117-6426-03	2	Wheel-Drive
11	115-4002	2	Spacer	37	106-8159	2	Nut-Lock
12	115-1298	2	Sheave	38	340-3	1	Fitting-Str
13	108-4211	2	Bushing	38:1	237-22	1	O-Ring
14	73-3580	2	Washer	38:2	237-79	1	O-Ring
15	33103-016	2	Screw-HHF	39	115-1285	1	Tube-HYD
16	325-4	4	Screw-HH	40	115-1286	1	Tube-HYD
17	32128-49	8	Nut-HHF	41	115-1287	1	Tube-HYD
18	114-2993-03	1	Frame-Track, RH	42	115-1288	1	Tube-HYD
19	112-4817	12	Wheel-Tensioner	43	115-1297	1	Hose-HYD
19:1	114-3014-03	1	Wheel-Track	44	117-1305	1	Tube-HYD
19:2	120-5378	1	Bearing-Ball	45	115-4083	1	Hose
20	106-7585	12	Gasket-Bogie	46	2412-36	2	Clamp-Hose
21	327-4	12	Screw-HH	47	112-4816	2	Track-Rubber

Hydraulic Pump Assembly No. 117-6409

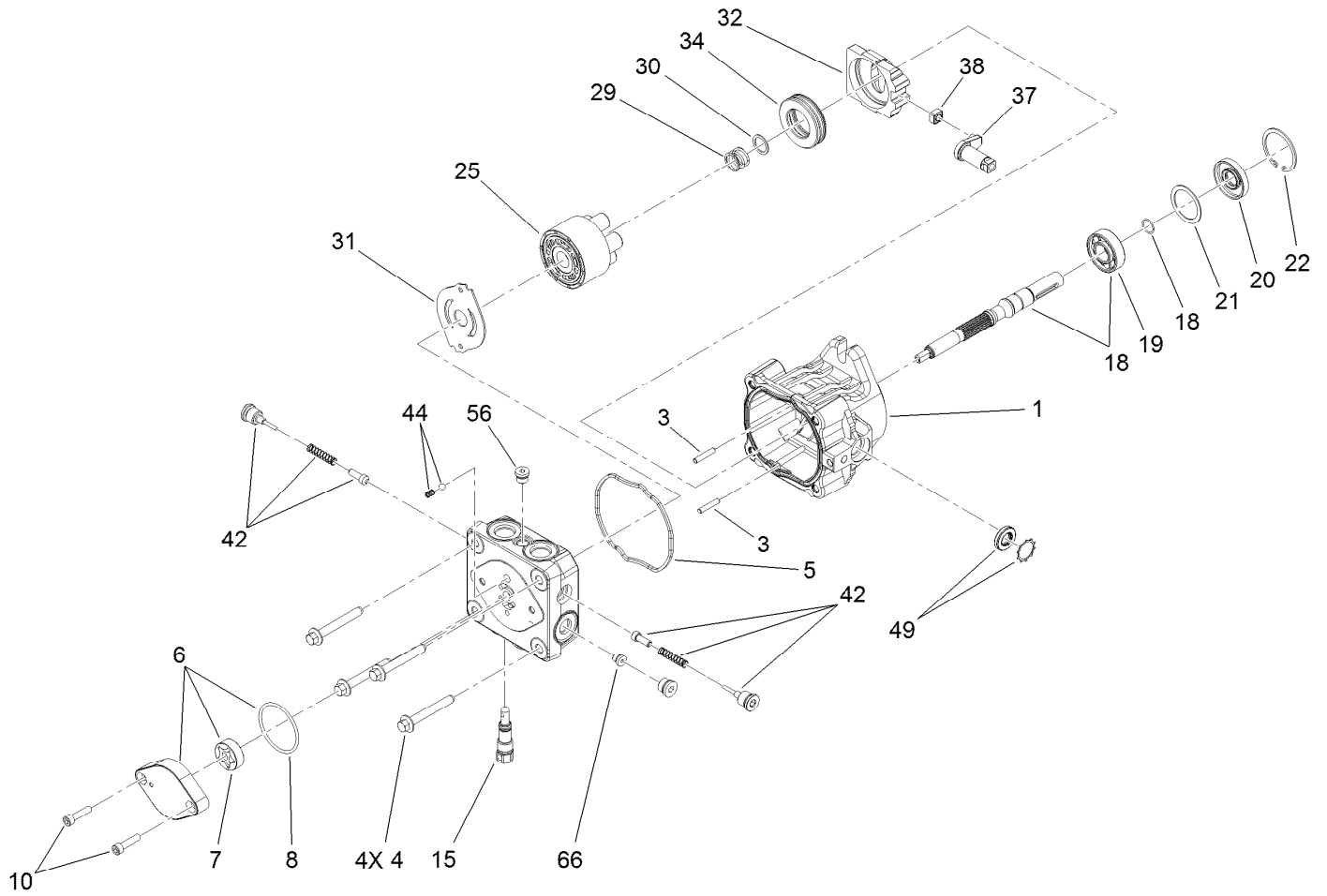


Hydraulic Pump Assembly No. 117-6409 (continued)

<i>Ref.</i>	<i>Part Number</i>	<i>Qty.</i>	<i>Description</i>	<i>Ref.</i>	<i>Part Number</i>	<i>Qty.</i>	<i>Description</i>
1	115-4464	1	Housing Kit	29	94-1936	1	Spring-Block
3	106-8753	2	Pin-Headless, Straight	30	94-1937	1	Washer-Thrust
4	106-8754	4	Bolt-HF	31	105-6185	1	Plate-Valve
5	106-8755	1	O-Ring	32	94-1907	1	Swashplate-Variable
6	106-8756	1	Charge Pump Kit	34	94-6922	1	Bearing-Thrust
7	104-2122	1	Gerotor ASM	37	115-4458	1	Arm-Trunnion, Tapered Square
8	106-8757	1	O-Ring	38	94-1910	1	Guide-Slot
10	104-2111	2	Capscrew	42	98-3252	2	Valve-Check (W/Poppet)
15	106-8759	1	Bypass Valve Kit	44	106-8760	1	Charge Relief Valve Kit
18	103-2664	1	Input Shaft Kit	49	114-8155	1	Trunnion Seal Kit
19	104-5311	1	Bearing-Ball	56	106-8762	1	Plug-HSH
20	104-5310	1	Seal-Lip	66	106-8763	1	Plug-HSH
21	104-5308	1	Spacer	99	105-6184	1	Seal Overhaul Kit ●
22	104-5309	1	Ring-Retaining				
25	103-2666	1	Cylinder Block Kit				

● Not illustrated

Hydraulic Pump Assembly No. 117-6410

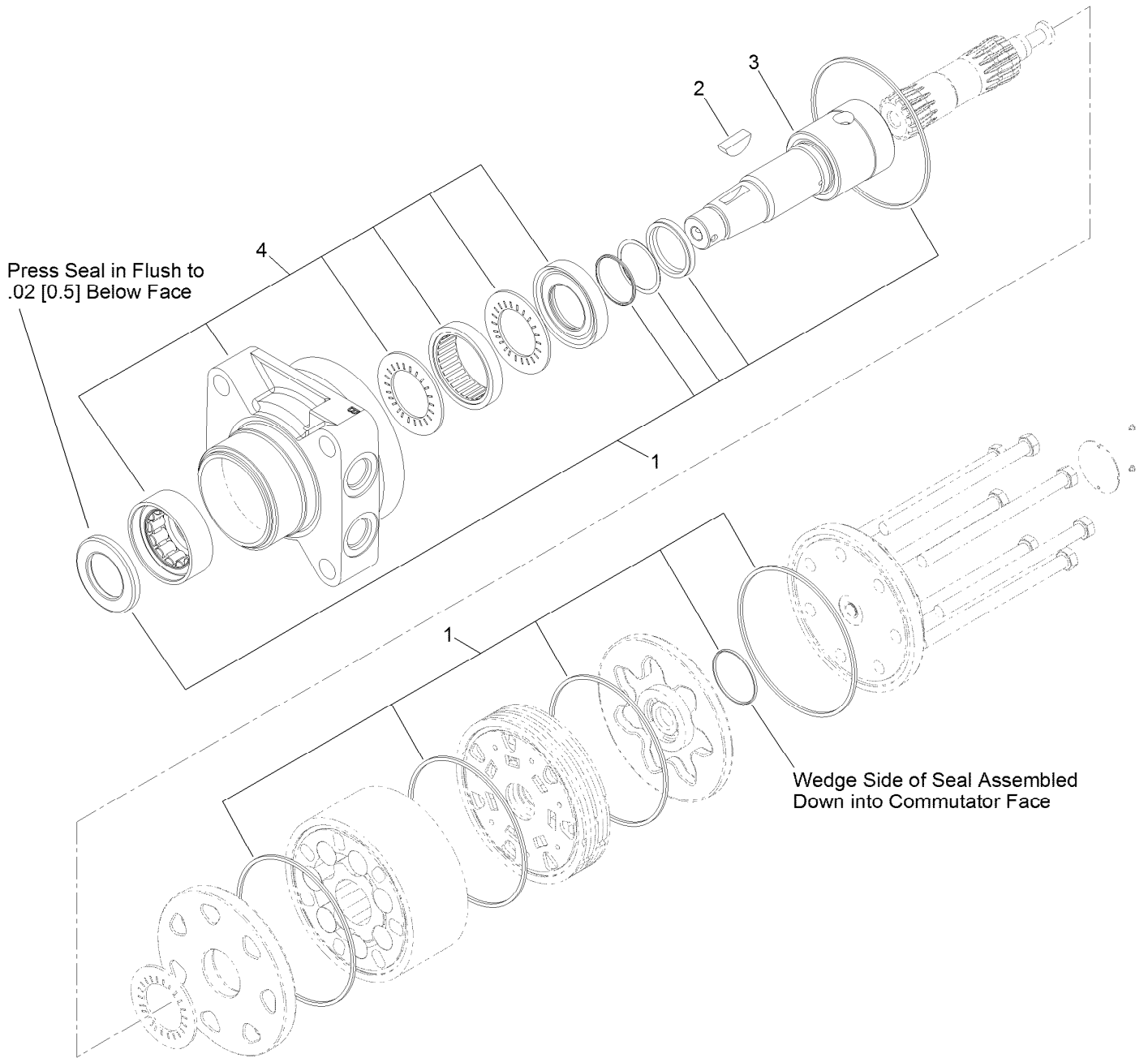


Hydraulic Pump Assembly No. 117-6410 (continued)

<i>Ref.</i>	<i>Part Number</i>	<i>Qty.</i>	<i>Description</i>	<i>Ref.</i>	<i>Part Number</i>	<i>Qty.</i>	<i>Description</i>
1	115-4464	1	Housing Kit	29	94-1936	1	Spring-Block
3	106-8753	2	Pin-Headless, Straight	30	94-1937	1	Washer-Thrust
4	106-8754	4	Bolt-HF	31	105-6185	1	Plate-Valve
5	106-8755	1	O-Ring	32	94-1907	1	Swashplate-Variable
6	106-8756	1	Charge Pump Kit	34	94-6922	1	Bearing-Thrust
7	104-2122	1	Gerotor ASM	37	115-4458	1	Arm-Trunnion, Tapered Square
8	106-8757	1	O-Ring	38	94-1910	1	Guide-Slot
10	104-2111	2	Capscrew	42	98-3252	2	Valve-Check (W/Poppet)
15	106-8759	1	Bypass Valve Kit	44	106-8760	1	Charge Relief Valve Kit
18	103-2664	1	Input Shaft Kit	49	114-8155	1	Trunnion Seal Kit
19	104-5311	1	Bearing-Ball	56	106-8762	1	Plug-HSH
20	104-5310	1	Seal-Lip	66	106-8763	1	Plug-HSH
21	104-5308	1	Spacer	99	105-6184	1	Seal Overhaul Kit ●
22	104-5309	1	Ring-Retaining				
25	103-2666	1	Cylinder Block Kit				

● Not illustrated

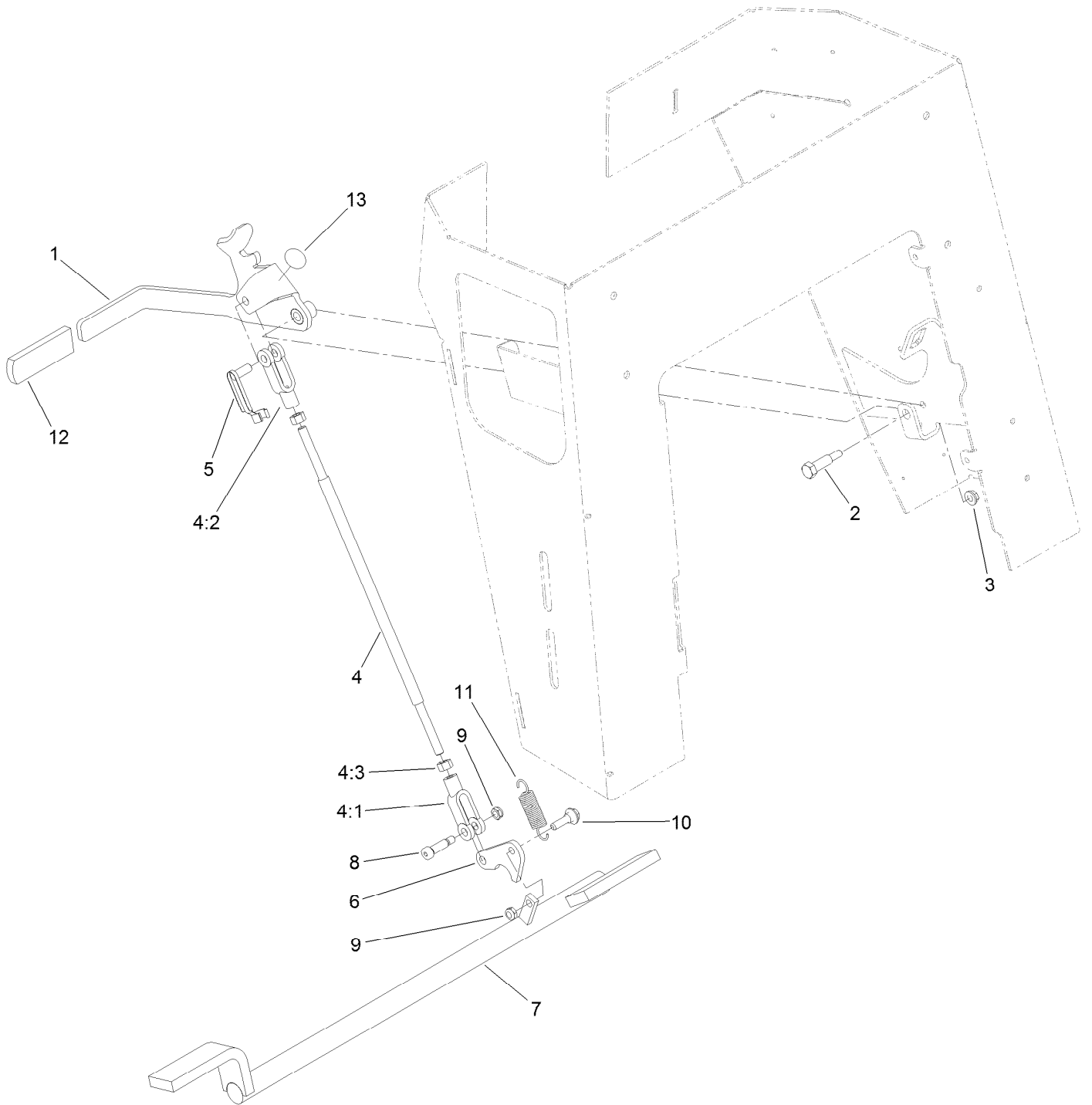
Hydraulic Motor Assembly No. 104-8470



Hydraulic Motor Assembly No. 104-8470 (continued)

<i>Ref.</i>	<i>Part Number</i>	<i>Qty.</i>	<i>Description</i>	<i>Ref.</i>	<i>Part Number</i>	<i>Qty.</i>	<i>Description</i>
1	115-4061	1	Seal Kit	3	99-3090	1	Shaft-Coupling
2	3257-42	1	Key-Woodruff	4	120-5395	1	Motor Housing ASM

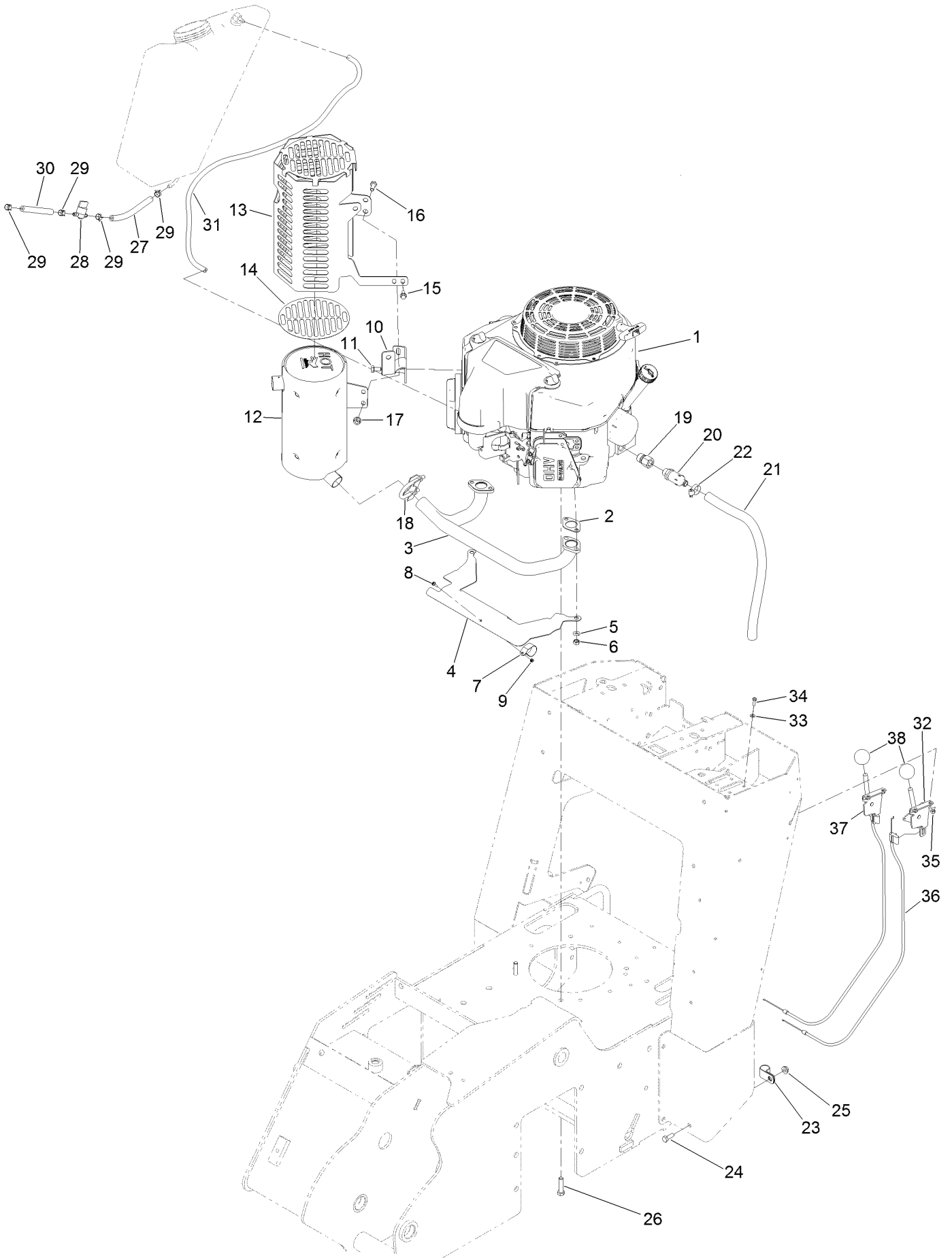
Parking Brake Assembly



Parking Brake Assembly (continued)

<i>Ref.</i>	<i>Part Number</i>	<i>Qty.</i>	<i>Description</i>	<i>Ref.</i>	<i>Part Number</i>	<i>Qty.</i>	<i>Description</i>
1	117-6421-03	1	Handle-Brake	6	114-2975	1	Link-Mounting
2	7-0030	1	Screw-Shoulder, HH	7	114-2972-03	1	Bar-Brake
3	32128-20	1	Nut-HF	8	114-8629	1	Bolt-Shoulder
4	103-4335	1	Brake Rod ASM	9	3296-47	2	Nut-Lock, NI
4:1	1-633131	2	Yoke-Linkage, Brake	10	27-7211	1	Screw-Shoulder
4:2	103-3907	1	Linkage-Handle, Brake	11	67-1450	1	Spring-Idler
4:3	3219-3	2	Nut-Hex	12	62-9130	1	Grip-Handle
5	103-2399	1	Pin-Spring, Clevis	13	107-8495	1	Decal-Parking Brake

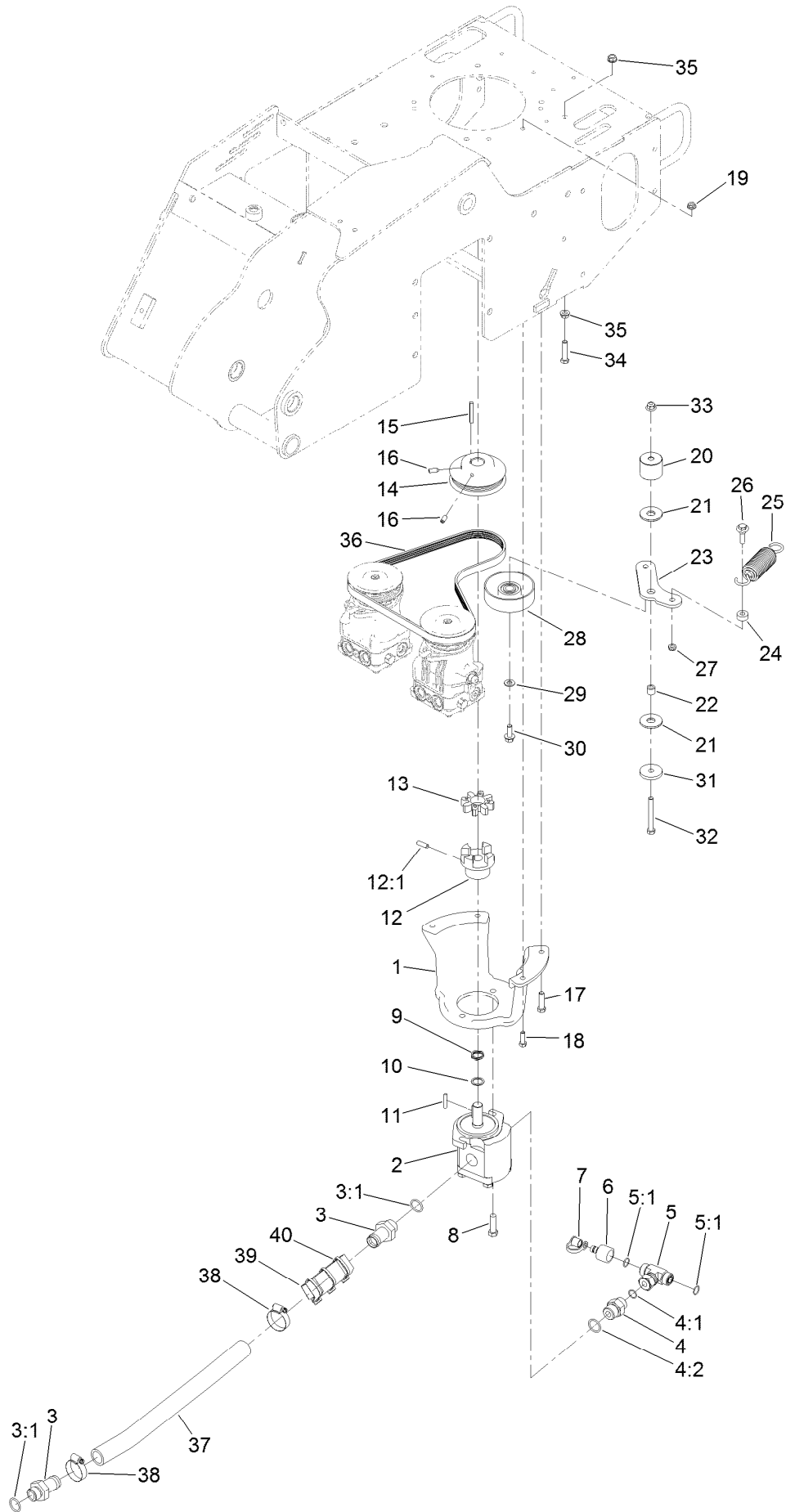
Engine Assembly



Engine Assembly (continued)

<i>Ref.</i>	<i>Part Number</i>	<i>Qty.</i>	<i>Description</i>	<i>Ref.</i>	<i>Part Number</i>	<i>Qty.</i>	<i>Description</i>
1	117-6449	1	Engine-Kawasaki, Fs600V	20	92-6877	1	Valve-Drain, Oil
2	1-653313	2	Gasket-Exhaust	21	106-5709	1	Hose-Vent
3	120-7537	1	Manifold-Muffler	22	2412-36	1	Clamp-Hose
4	131-0662	1	Plate-Shield, Heat	23	2412-81	1	Clamp-R
5	115-6496	4	Washer-Spring	24	322-4	1	Screw-HH
6	115-6611	4	Nut-Hex	25	32128-20	1	Nut-HF
7	115-6488	1	Clamp	26	323-8	2	Screw-HH
8	115-6494	1	Screw-Pan	27	109-0306	1	Hose-Fuel
9	115-6495	1	Nut-Hex	28	1-603770	1	Valve-Fuel
10	131-0670-03	1	Bracket-Guard, Muffler	29	2412-98	4	Clamp-Hose
11	33114-016	2	Screw-HH	30	109-0295	1	Hose-Fuel
12	120-7536	1	Muffler	31	117-6396	1	Hose-Vent, Tank
13	131-0602-03	1	Guard-Muffler	32	110-5547	1	Lever-Control
14	131-0604	1	Foil-Guard	33	3256-21	4	Washer-Flat
15	33103-016	1	Screw-HHF	34	3290-134	4	Screw
16	33114-020	3	Screw-HH	35	3296-2	4	Nut-Lock, NI
17	112-2844	3	Nut-HF	36	115-1211	2	Cable-Control
18	2112-11	1	Clamp-Muffler	37	108-9730	1	Lever-Control
19	103-1966	1	Adapter	38	233-42	2	Knob

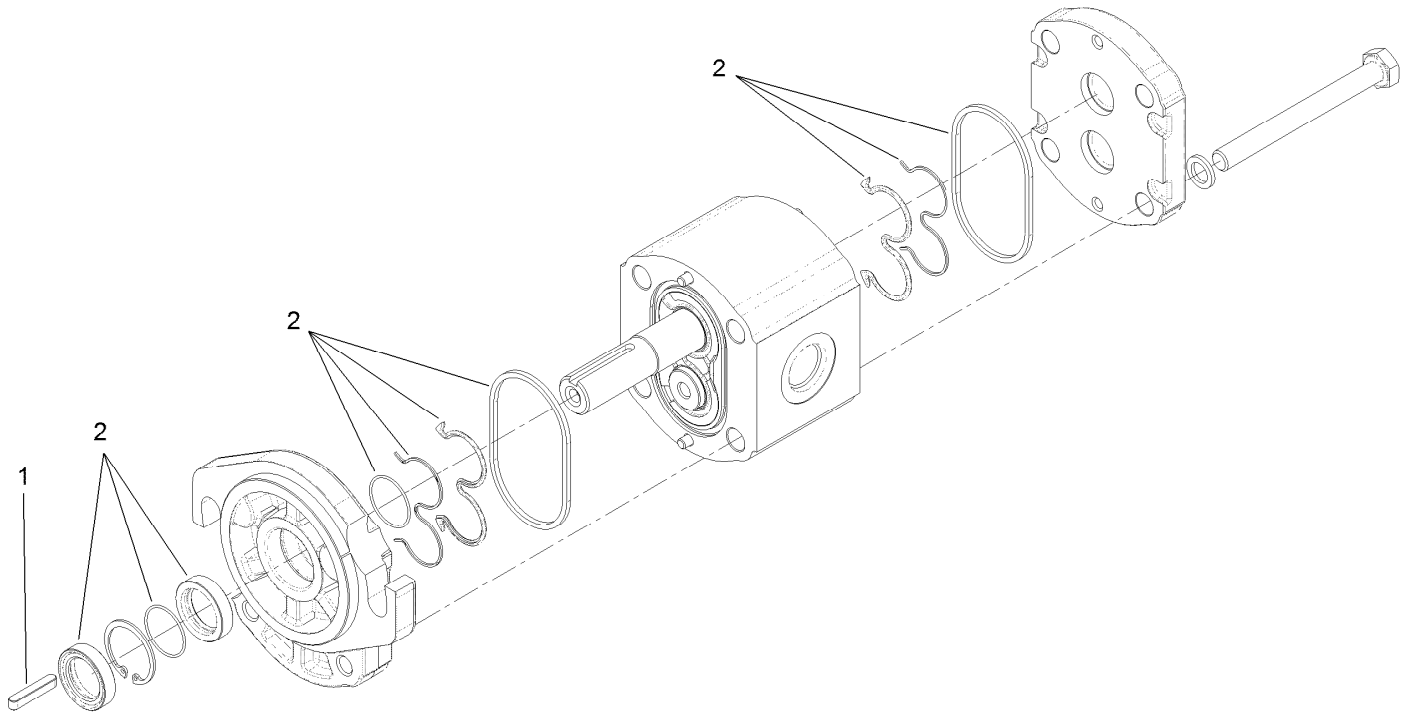
Gear Pump, Idler Arm and Pulley Assembly



Gear Pump, Idler Arm and Pulley Assembly (continued)

<i>Ref.</i>	<i>Part Number</i>	<i>Qty.</i>	<i>Description</i>	<i>Ref.</i>	<i>Part Number</i>	<i>Qty.</i>	<i>Description</i>
1	115-1480-03	1	Mount-Pump	19	32128-20	2	Nut-HF
2	114-3072	1	Gear Pump ASM	20	125-0251	1	Spacer-Idler
3	99-3017	2	Fitting	21	114-0463	2	Washer-Friction, Composite
3:1	237-81	1	O-Ring	22	1-413088	1	Bushing-Lever, Lift
4	340-8	1	Fitting-Straight	23	125-0252	1	Arm-Idler
4:1	237-65	1	O-Ring	24	104-8426	1	Spacer
4:2	237-81	1	O-Ring	25	121-4523	1	Spring-Extension
5	340-167	1	Fitting-HYD, Tee	26	614672	1	Bolt-Shoulder
5:1	237-65	2	O-Ring	27	3296-59	1	Nut-Lock, NI
6	86-5860	1	Nipple	28	95-8802	1	Pulley-Idler
7	354-79	1	Cap-Dust	29	3256-24	1	Washer-Flat
8	324-6	2	Screw-HH	30	3234-11	1	Screw-HHF
9	121-4517	1	Washer-Wave	31	110-9981	1	Washer-Plain
10	115-7210	1	Washer-Thrust	32	323-14	1	Screw-HH
11	27-8590	1	Key-Square	33	104-8301	1	Nut-HF, NI
12	114-2933	1	Coupler-Flex	34	323-9	1	Screw-HH
12:1	100-7594	1	Screw-Set	35	3290-357	2	Nut-HHF, Whiz
13	93-8827	1	Coupler-Spider	36	114-2991	1	Belt-V
14	114-8559-03	1	Pulley-Engine	37	114-2917	1	Hose-Suction
15	608006	1	Key-Square	38	2412-111	2	Clamp
16	3246-6	2	Screw-Set, HSH	39	AU112950	2	Protector-Hose, 4 Inch
17	323-8	2	Screw-HH	40	3290-378	3	Tie-Cable
18	322-5	2	Screw-HH				

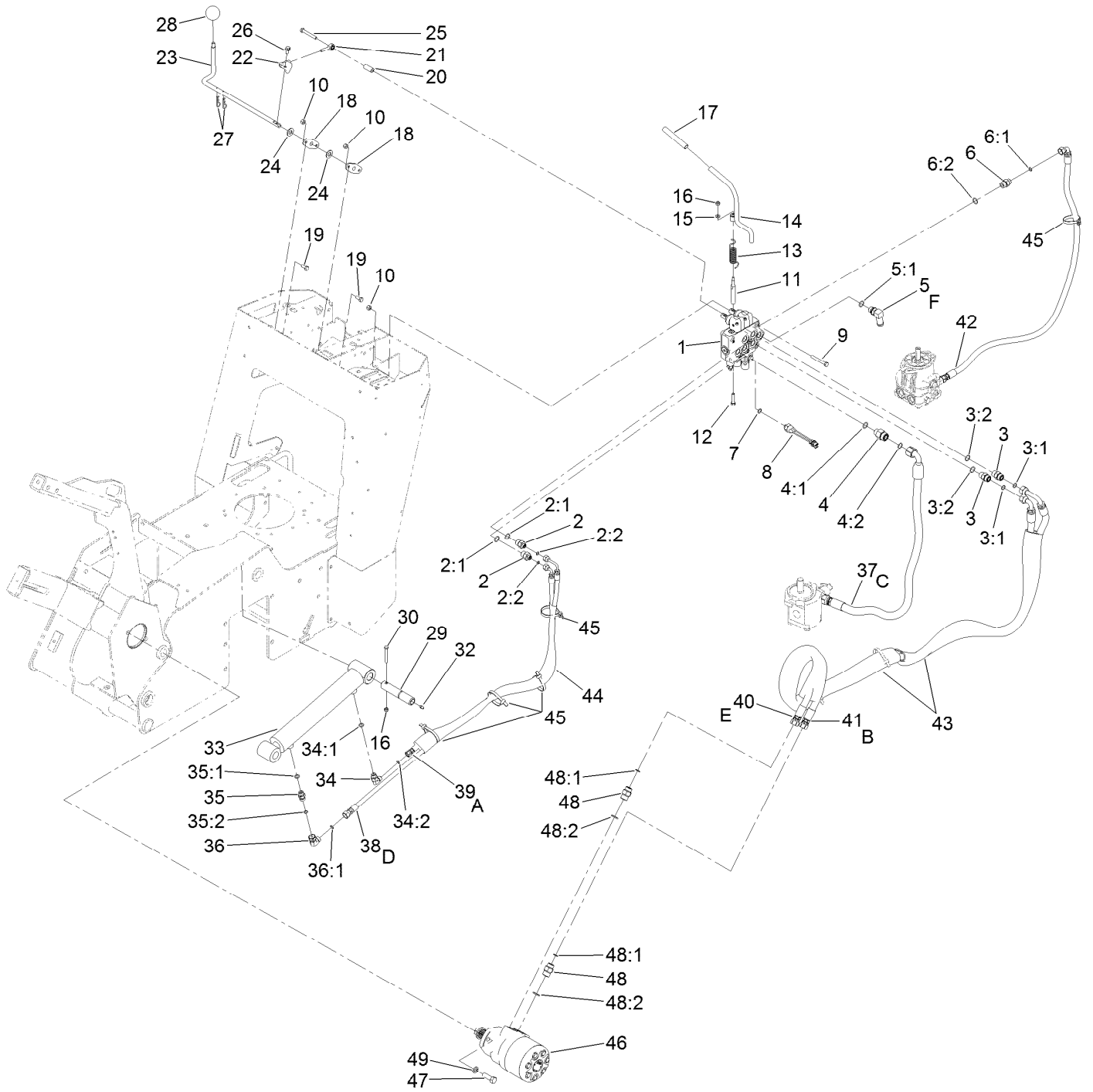
Gear Pump Assembly No. 114-3072



Gear Pump Assembly No. 114-3072 (continued)

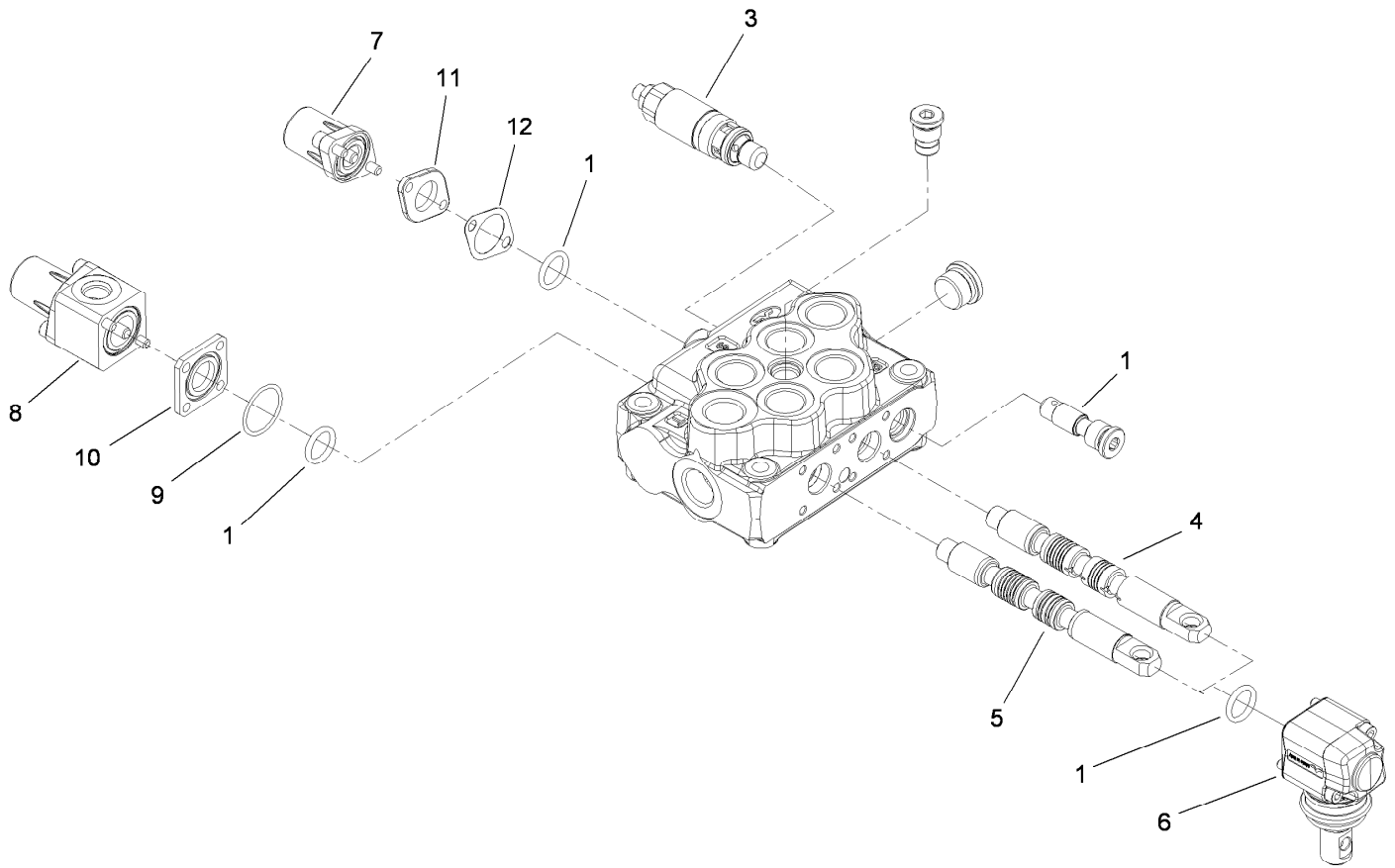
<i>Ref.</i>	<i>Part Number</i>	<i>Qty.</i>	<i>Description</i>
1	104-5839	1	Key-Square
2	115-1265	1	Seal Kit

Hydraulic Control Assembly



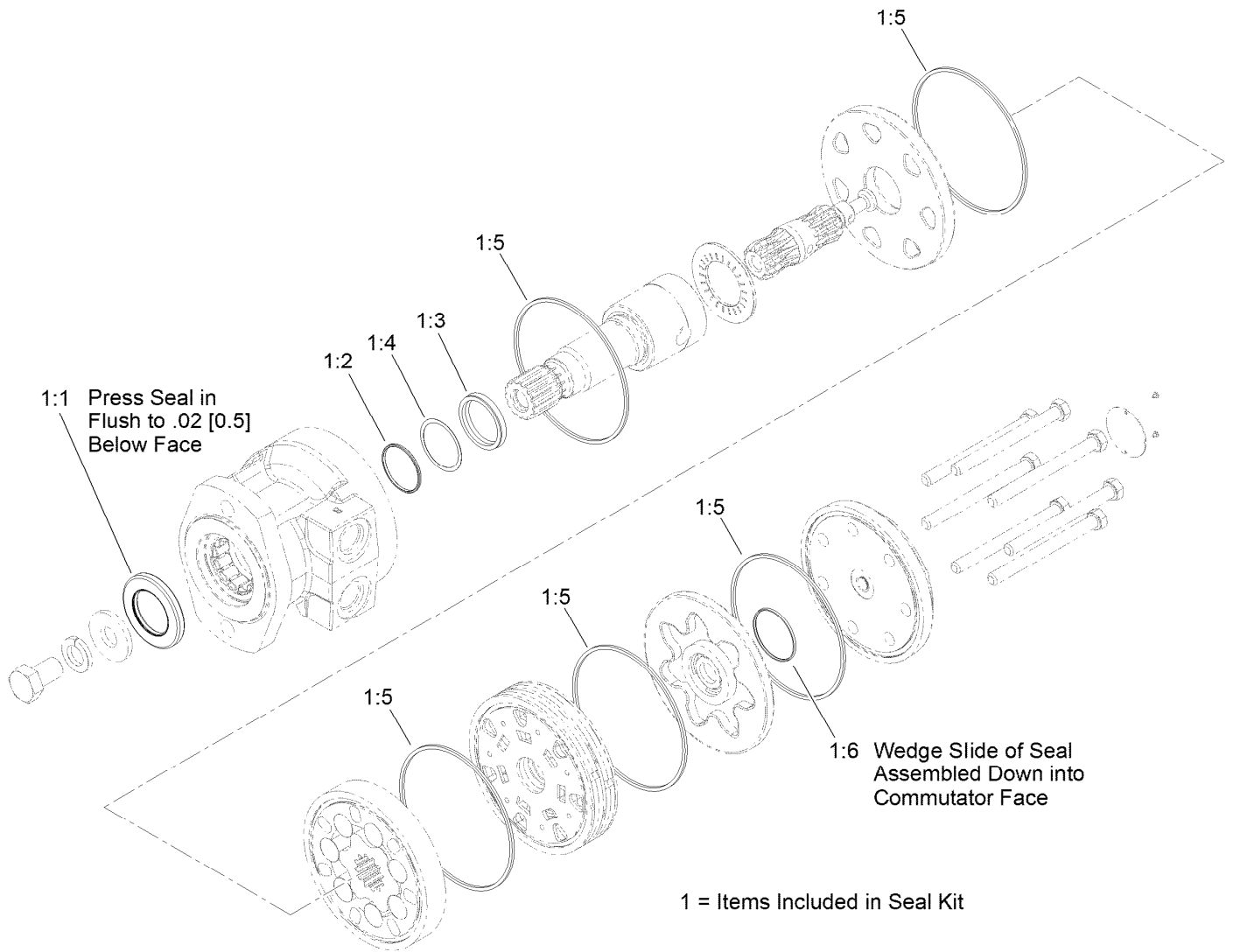
Hydraulic Control Assembly (continued)

<i>Ref.</i>	<i>Part Number</i>	<i>Qty.</i>	<i>Description</i>	<i>Ref.</i>	<i>Part Number</i>	<i>Qty.</i>	<i>Description</i>
1	115-4062	1	HYD Valve ASM	24	3256-26	2	Washer-Flat
2	340-133	2	Fitting-Str	25	33114-060	1	Screw-HH
2:1	237-79	1	O-Ring	26	3234-14	1	Screw-HHF
2:2	237-21	1	O-Ring	27	3290-467	2	Pin-Hair
3	340-4	2	Fitting-Straight	28	233-21	1	Knob
3:1	237-30	1	O-Ring	29	120-7352	1	Pin-Pivot
3:2	237-79	1	O-Ring	30	321-18	1	Screw-HH
4	340-155	1	Fitting-Str	32	302-5	1	Fitting-Grease
4:1	237-79	1	O-Ring	33	121-1955	1	HYD Cylinder ASM
4:2	237-151	1	O-Ring	34	340-82	1	Fitting-Elbow 90
5	353-954	1	Adapter	34:1	237-42	1	O-Ring
5:1	237-79	1	O-Ring	34:2	237-21	1	O-Ring
6	340-3	1	Fitting-Str	35	115-4081	1	Valve-Check
6:1	237-22	1	O-Ring	35:1	237-42	1	O-Ring
6:2	237-79	1	O-Ring	35:2	237-22	1	O-Ring
7	237-42	1	O-Ring	36	340-159	1	Fitting-HYD, 90 DEG
8	72-4310	1	Switch-Ball	36:1	237-22	2	O-Ring
9	322-12	3	Screw-HH	37	114-3043	1	Hose-HYD
10	3296-29	7	Nut-Lock, NI	38	114-3044	1	Hose-HYD
11	104-2827	1	Spacer-Hiflo	39	114-3045	1	Hose-HYD
12	33114-035	1	Screw-HH	40	114-3046	1	Hose-HYD
13	112-2738	1	Spring-Torsion	41	114-3085	1	Hose-HYD
14	112-2739	1	Lever-Auxiliary	42	117-4038	1	Hose-HYD
15	3256-16	1	Washer-Flat	43	99-5648	2	Sleeve-Protective
16	3296-42	2	Nut-Lock, NI	44	115-4064	1	Sleeve-Protective
17	112-2605	1	Grip-Rubber	45	3334-945	8	Tie-Cable
18	20-1620	2	Bearing-Wheel, Friction	46	131-0652	1	HYD Motor ASM
19	322-3	4	Screw-HH	47	325-6	2	Screw-HH
20	103-0384	1	Spacer	48	340-6	2	Fitting-Straight
21	115-1273	1	Bearing-Rod End	48:1	237-30	1	O-Ring
22	112-7210	1	Bracket-Control	48:2	237-80	1	O-Ring
23	114-8598	1	Rod-Lever, Cylinder	49	3253-7	2	Washer-Lock



2-Spool Valve Assembly No. 115-4062

<i>Ref.</i>	<i>Part Number</i>	<i>Qty.</i>	<i>Description</i>
1	106-7719	4	Seal-Valve
3	100-8805	1	Valve-Relief
4	115-4084	1	Spool-Valve
5	106-7572	1	Spool
6	100-7229	2	Lever Kit
7	115-4092	1	Spring Return Kit
8	115-4093	1	Switch Spring Return Kit
9	115-4097	1	Seal-Return
10	115-4094	1	Spacer-Square
11	115-4089	1	Spacer-Spring Return
12	115-4088	1	Gasket-Return

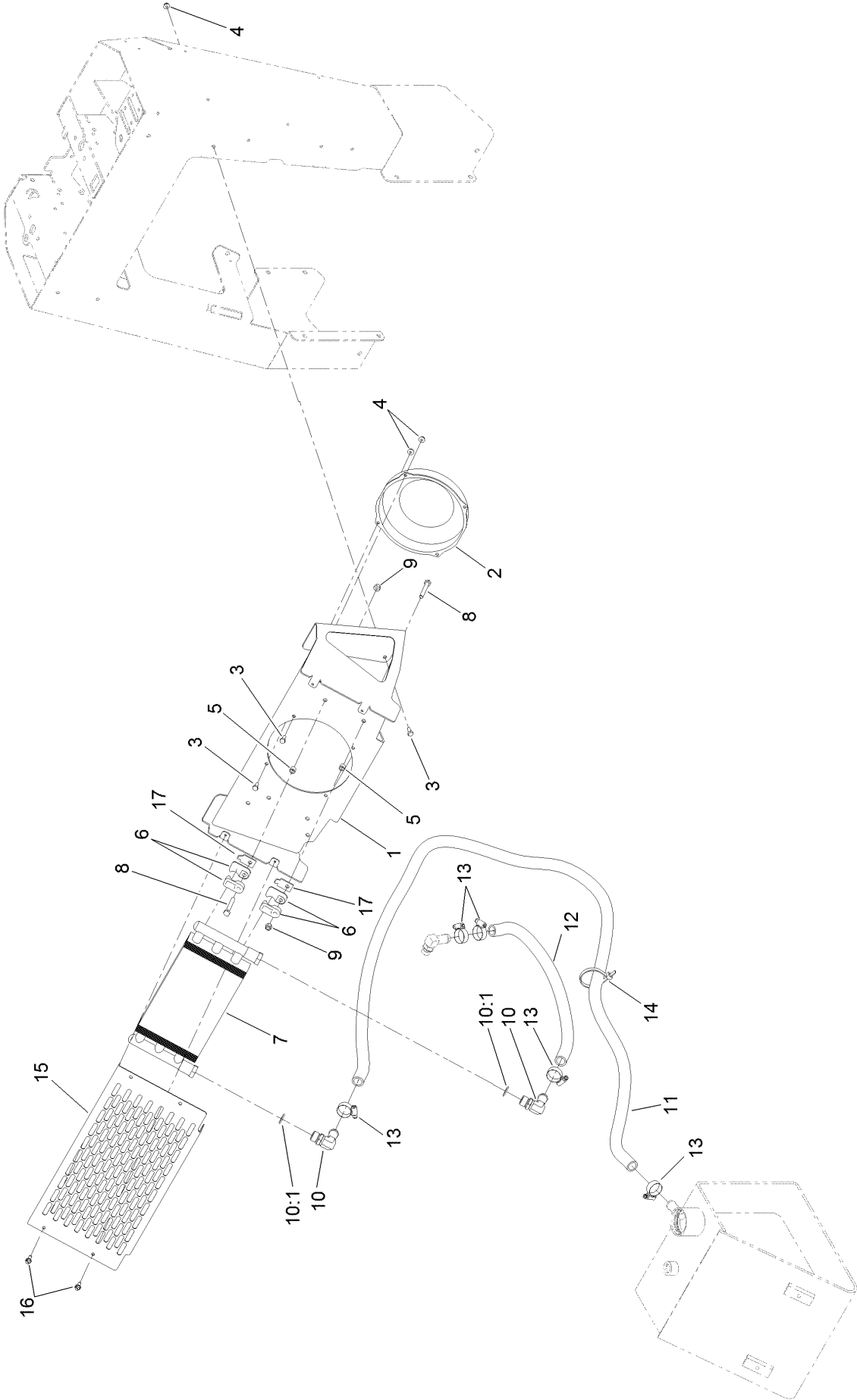


Hydraulic Motor Assembly No. 131-0652

Ref.	Part Number	Qty.	Description
1	76-0800	1	Seal Kit
1:1		1	Seal-Dirt And Water ●
1:2		1	Backup-Ring ●
1:3		1	Seal-Shaft ●
1:4		1	Washer-Back Up ●
1:5		5	Seal-Square, Ring (Inner) ●
1:6		1	Seal-Commutator ●

● Not serviced separately

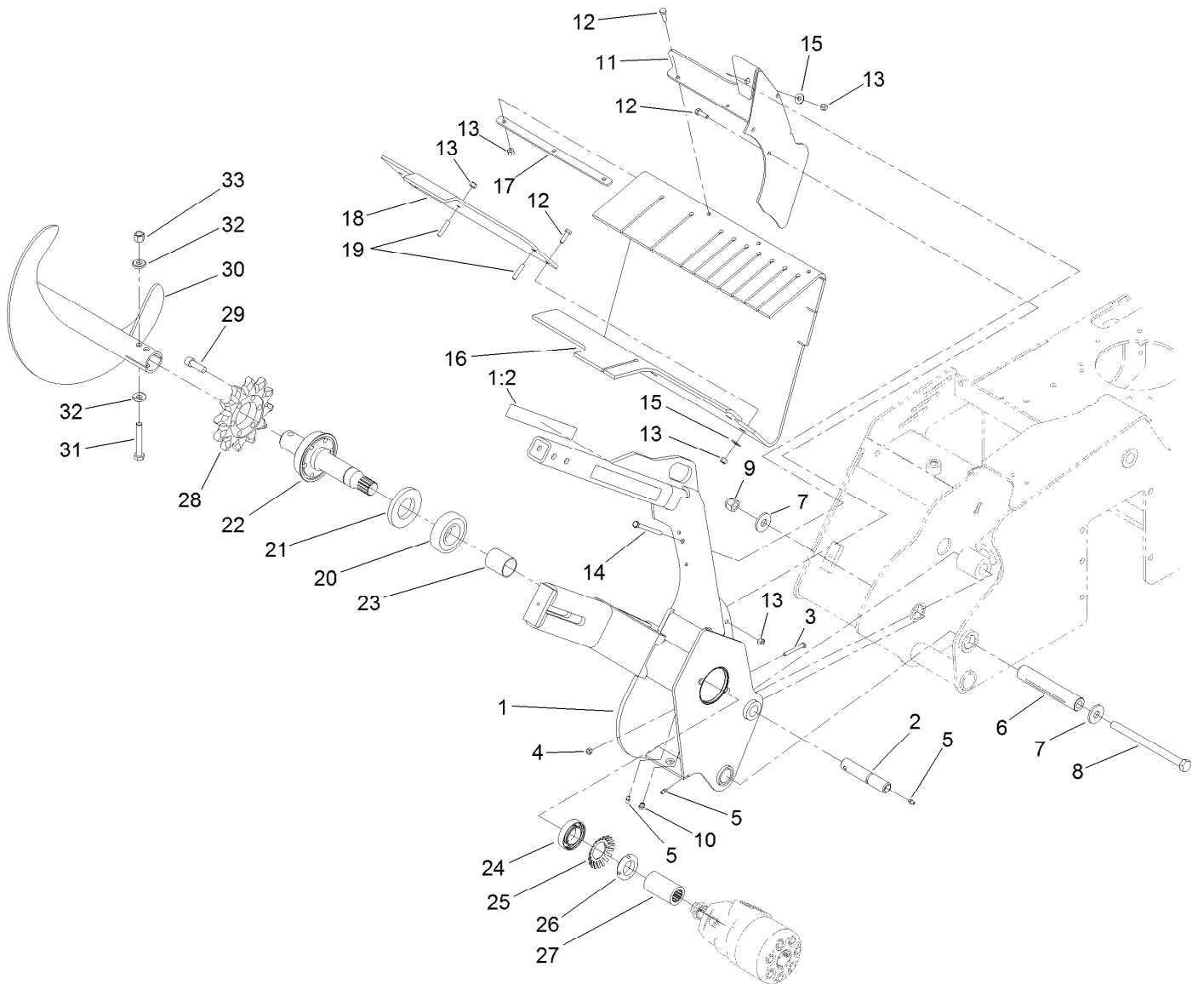
Hydraulic Oil Cooler Assembly



Hydraulic Oil Cooler Assembly (continued)

<i>Ref.</i>	<i>Part Number</i>	<i>Qty.</i>	<i>Description</i>	<i>Ref.</i>	<i>Part Number</i>	<i>Qty.</i>	<i>Description</i>
1	117-6296-01	1	Mount-Cooler	10	87-8170	2	Fitting
2	104-2809	1	Fan	10:1	237-80	1	O-Ring
3	321-3	8	Screw-HH	11	115-1207	1	Hose-Return
4	104-7201	8	Nut-HF	12	117-3966	1	Hose-Cooler
5	105-5723	4	Spacer-Tube	13	2412-129	4	Clamp-Hose
6	131-0733	8	Clamp	14	3334-945	3	Tie-Cable
7	105-0352	1	Exchanger-Heat	15	119-4633-01	1	Cover-Cooler
8	322-11	4	Screw-HH	16	32104-95	4	Screw-HWH
9	3296-29	4	Nut-Lock, NI	17	131-0642	4	Plate-Support, Clamp

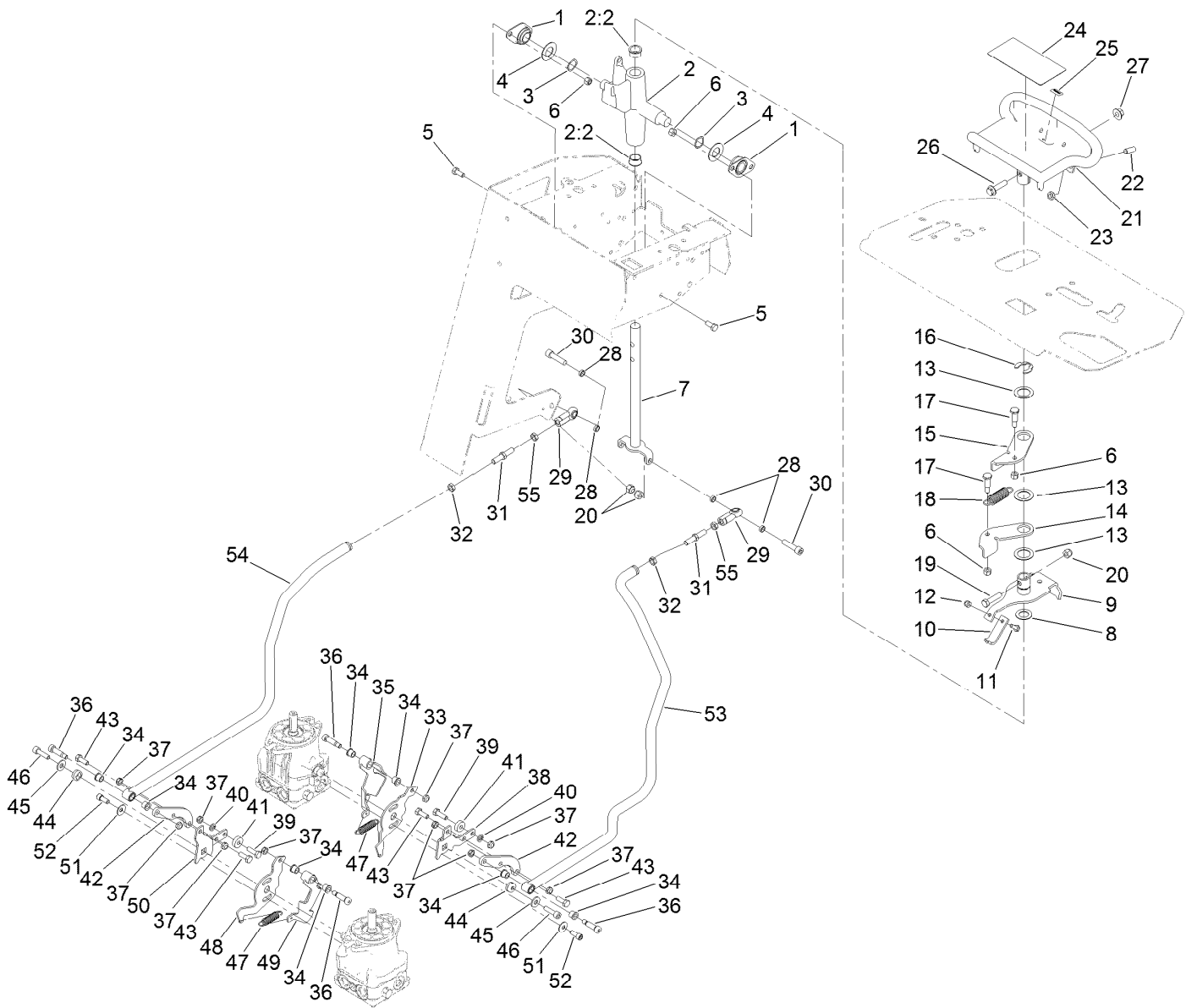
Trencher Head and Auger Assembly



Trencher Head and Auger Assembly (continued)

<i>Ref.</i>	<i>Part Number</i>	<i>Qty.</i>	<i>Description</i>	<i>Ref.</i>	<i>Part Number</i>	<i>Qty.</i>	<i>Description</i>
1	117-6423	1	Trencher Head ASM	17	115-4001-03	1	Plate-Strap, Shield
1:2	99-9952	2	Decal-Danger	18	117-6316-03	1	Bar-Clamp
2	120-7352	1	Pin-Pivot	19	115-4049	2	Screw-HSH
3	321-18	1	Screw-HH	20	106-8871	1	Bearing-Ball
4	3296-42	1	Nut-Lock, NI	21	114-2955	1	Seal-Grease
5	302-5	3	Fitting-Grease	22	117-6308	1	Shaft-Trencher
6	121-4571	1	Spacer-Pivot	23	112-4979	1	Spacer
7	104-9216	2	Washer-Hardened	24	111199	1	Bearing-Ball
8	117-6327	1	Bolt-HH	25	114-2956	1	Lockwasher-Bearing
9	3296-53	1	Nut-Lock, NI	26	88-1450	1	Locknut-Bearing
10	302-34	1	Fitting-Lube	27	117-6315	1	Collar-Splined
11	115-1279-03	1	Bracket-Shield	28	104-1964	1	Sprocket-Trencher
12	322-5	8	Screw-HH	29	3274-4	6	Screw-HSH
13	3296-29	11	Nut-Lock, NI	30	117-8852-03	1	Auger-Trencher
14	322-23	1	Screw-HH	31	325-13	1	Screw-HH
15	3256-3	4	Washer-Flat	32	117-3479	2	Washer-Saddle
16	117-6317	1	Shield-Dirt	33	3296-23	1	Nut-Lock, NI

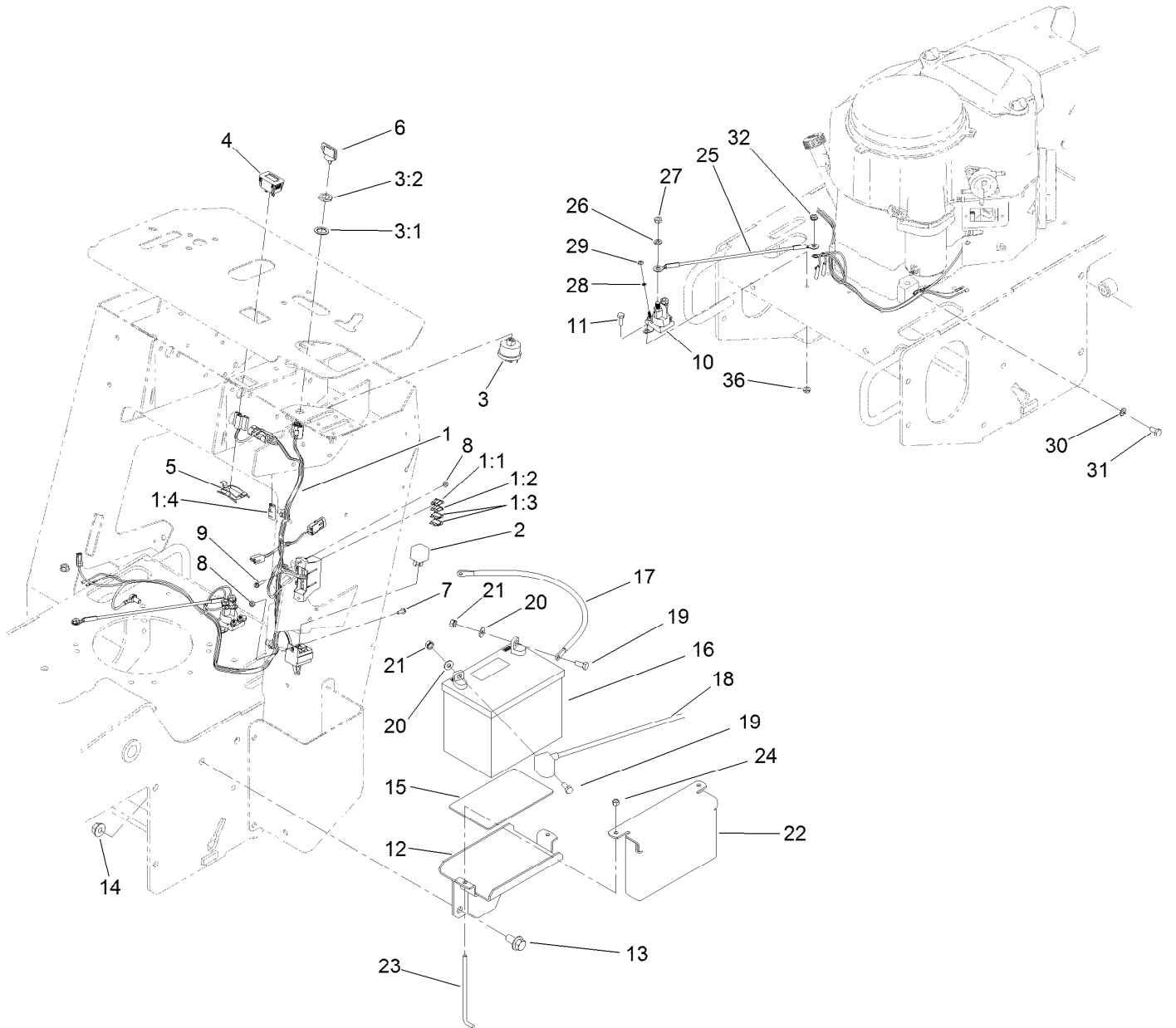
Traction Control Assembly



Traction Control Assembly (continued)

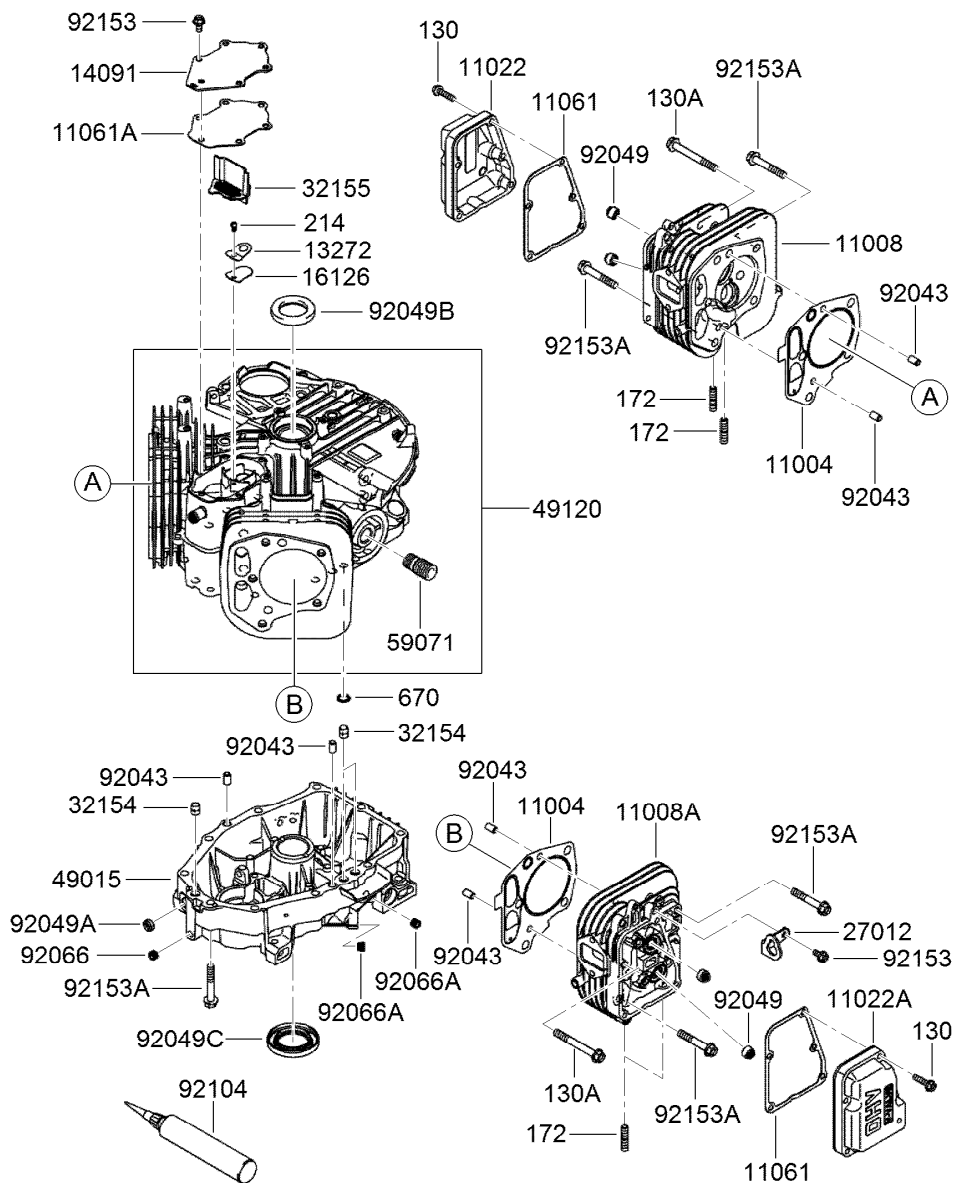
<i>Ref.</i>	<i>Part Number</i>	<i>Qty.</i>	<i>Description</i>	<i>Ref.</i>	<i>Part Number</i>	<i>Qty.</i>	<i>Description</i>
1	27-2320	2	Bearing	28	108-0634	4	Spacer-Plate, Retaining
2	106-5737	1	Control Support ASM	29	103-1167	2	Joint-Ball End, LH
2:2	256-252	2	Bearing-Flange	30	3274-2	2	Screw-HSH
3	95-3703	2	Washer-Spring, Wave	31	AU107344	2	Screw-Jack, Control
4	3256-39	2	Washer-Flat	32	3220-3	2	Nut-HJ
5	322-3	4	Screw-HH	33	115-6549	1	Plate-Base, LH
6	3296-29	6	Nut-Lock, NI	34	256-116	8	Bushing-Flange
7	117-6335	1	Rod-Drive	35	115-6637	1	Pivot-LH
8	257-8	1	Washer-Thrust	36	114-8629	4	Bolt-Shoulder
9	112-2783	1	Lever-Pivot	37	3296-47	10	Nut-Lock, NI
10	115-1204	1	Plate-Neutral	38	115-6628	1	Plate-Arm, Return, LH
11	321-4	1	Screw-HH	39	322-5	2	Screw-HH
12	3296-42	1	Nut-Lock, NI	40	3253-4	2	Washer-Lock
13	108-9743	3	Washer-Plain	41	251-259	2	Bearing-Ball
14	98-8407	1	Lever-Return, RH	42	115-1290	2	Plate-Adapter, Control, RH
15	98-8408	1	Lever-Return, LH	43	322-4	4	Screw-HH
16	32151-91	1	Ring-Retaining	44	117-6429	2	Lock-Trunion
17	63-2650	2	Screw-Shoulder	45	3256-3	2	Washer-Flat
18	108-4724	1	Spring-Extension	46	94-3559	2	Screw-HSH
19	323-8	1	Screw-HH	47	121-4409	2	Spring-Extension
20	3296-39	3	Nut-Lock, NI	48	115-6535	1	Plate-Base, RH
21	120-5380-03	1	Handle-Control	49	115-6636	1	Pivot-RH
22	3247-6	2	Screw-Set	50	115-6536	1	Plate-Arm, Return
23	3218-3	2	Nut-Jam	51	3290-456	2	Washer-Belleville
24	115-4020	1	Decal-Traction	52	3273-14	2	Screw-HSH
25	98-1459	1	Decal	53	131-0668	1	Link-Steering, LH
26	3234-18	1	Screw-HHF	54	131-0669	1	Link-Steering, RH
27	32128-43	1	Nut-Flange	55	AU129-289	2	Nut-Jam, LH

Electrical Assembly



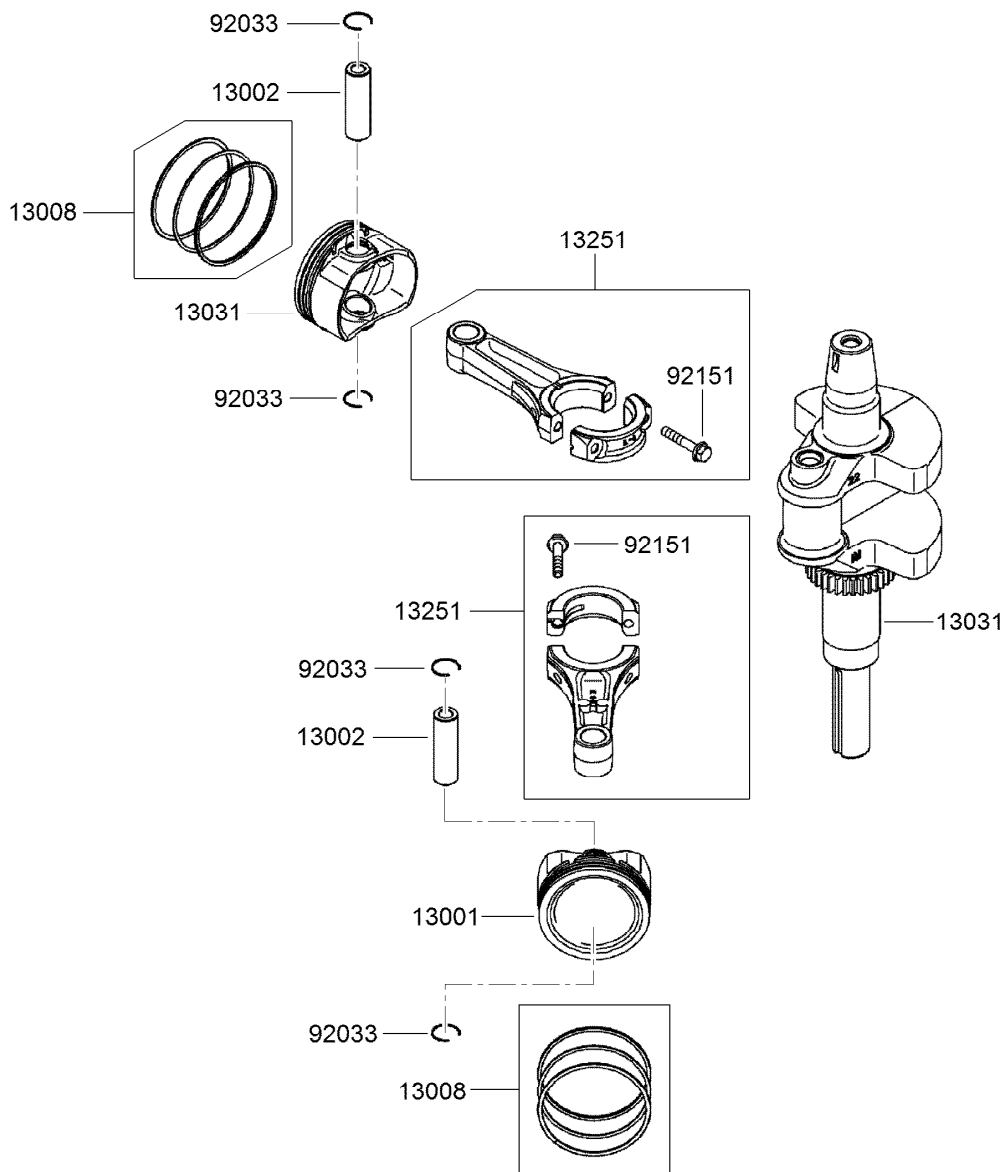
Electrical Assembly (continued)

<i>Ref.</i>	<i>Part Number</i>	<i>Qty.</i>	<i>Description</i>	<i>Ref.</i>	<i>Part Number</i>	<i>Qty.</i>	<i>Description</i>
1	117-6289	1	Harness-Wire	15	62-4300	1	Pad-Skid, Anti
1:1	109103	1	Fuse-Blade, 30 Amp	16	104-8162	1	Battery-Dry
1:2	109102	1	Fuse-Blade, 25 Amp	17	112-9708	1	Cable-Battery, Red
1:3	109355	2	Fuse-Blade, 15 Amp	18	117-6422	1	Cable-Battery, Black
1:4	116-0053	1	Cap-Plug	19	322-3	2	Screw-HH
2	98-7249	1	Relay	20	3256-2	2	Washer-Flat
3	88-9830	1	Key Switch ASM	21	32149-1	2	Nut-Keps
3:1	3254-5	1	Washer-Tooth, Internal	22	115-6621-03	1	Plate-Hold Down, Battery
3:2	218-461	1	Nut-HH	23	104-8567	2	Holdown-Battery
4	120-2244	1	Hourmeter	24	3296-42	2	Nut-Lock, NI
5	104-4234	1	Clip-Mounting	25	28-3891	1	Wire-Solenoid/Starter
6	63-8360	1	Key-Ignition	26	3253-4	2	Washer-Lock
7	32105-23	1	Screw	27	3220-2	2	Nut-Jam
8	3296-2	2	Nut-Lock, NI	28	3253-17	2	Washer-Lock
9	32105-13	1	Screw-HWH	29	3219-14	2	Nut-Hex
10	117-1197	1	Solenoid	30	3255-8	1	Washer-Lock
11	321-4	2	Screw-HH	31	33114-016	1	Screw-HH
12	105-3150-01	1	Tray-Battery	32	32149-2	1	Nut-Keps
13	3234-6	2	Screw-HHF	36	32128-33	2	Nut-HF
14	32128-49	2	Nut-HHF				



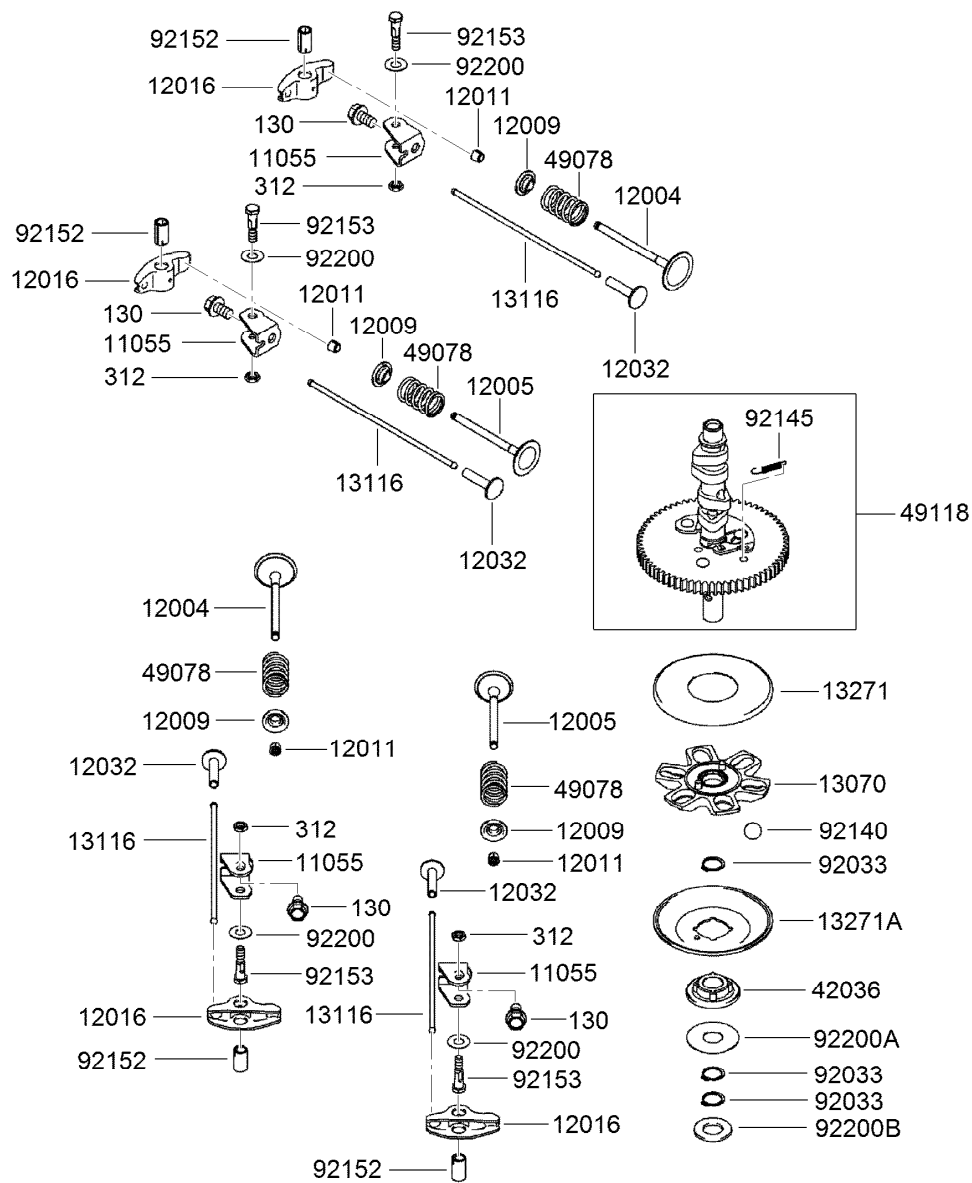
Cylinder and Crankcase Assembly

Ref.	Part Number	Qty.	Description	Ref.	Part Number	Qty.	Description
130	93-8548	10	Bolt-Flanged (6X25)	32154	119-5811	3	Pipe
130A	120-7406	6	Bolt-Flanged (8X70)	32155	119-5812	1	Pipe-Breather
172	114-8658	4	Bolt-Stud (8X18)	49015	120-7481	1	Cover-Crankcase
214	115-6422	1	Screw-Pan (4X8)	49120	120-7482	1	Crankcase ASM
670	95-9771	2	O-Ring (11Mm)	59071	95-9715	1	Joint
11004	120-7400	2	Gasket-Head	92043	KW10694	6	Pin
11008	120-7478	1	Cylinder Head No.1 ASM	92049	114-8650	4	Seal-Oil, Rv C2 (6X11X10.2)
11008A	120-7479	1	Cylinder Head No.2 ASM	92049A	119-5816	1	Seal-Oil, So (8X14X5) Hs
11022	119-5803	1	Case-Rocker (No.1)	92049B	119-5817	1	Seal-Oil, Sd (35X48X8) R Hs
11022A	119-5804	1	Case-Rocker (No.2)	92049C	119-5818	1	Seal-Oil (38X62X8) Mtclv
11061	119-5805	2	Gasket-Case, Rocker	92066	119-5819	1	Plug
11061A	119-5806	1	Gasket-Breather	92066A	119-5820	2	Plug
13272	119-5808	1	Plate-Breather	92104	119-5821	1	Gasket-Liquid (Tb1217H)
14091	119-5809	1	Cover-Breather	92153	114-8655	7	Bolt (6X12)
16126	119-5810	1	Valve-Breather	92153A	114-8656	14	Bolt (8X50)
27012	120-7480	1	Hook-Lift				



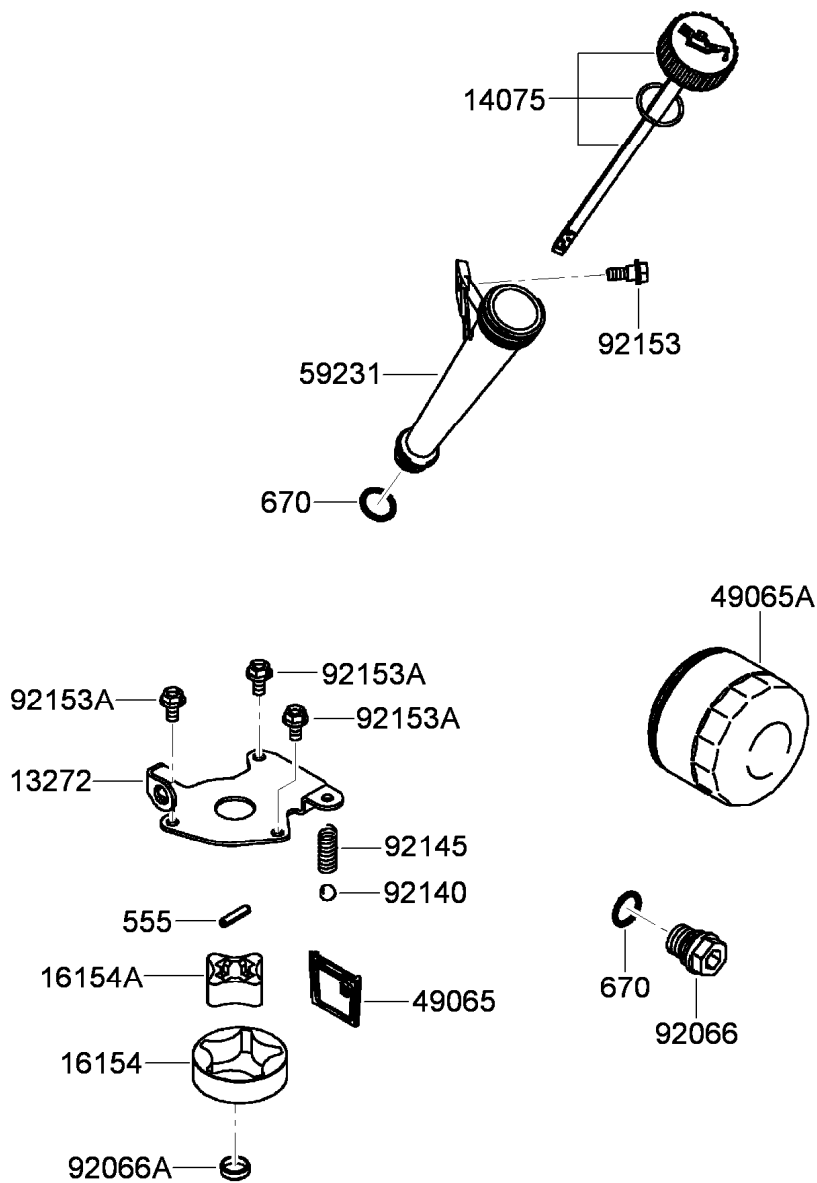
Piston and Crankshaft Assembly

<i>Ref.</i>	<i>Part Number</i>	<i>Qty.</i>	<i>Description</i>
13001	120-7483	2	Piston-Engine
13002	108-2517	2	Pin-Piston
13008	120-7484	2	Piston Ring Set
13031	120-7485	1	Crankshaft ASM
13251	120-7412	2	Connecting Rod ASM
92033	114-8665	4	Ring-Snap
92151	115-6565	4	Bolt (6X35)



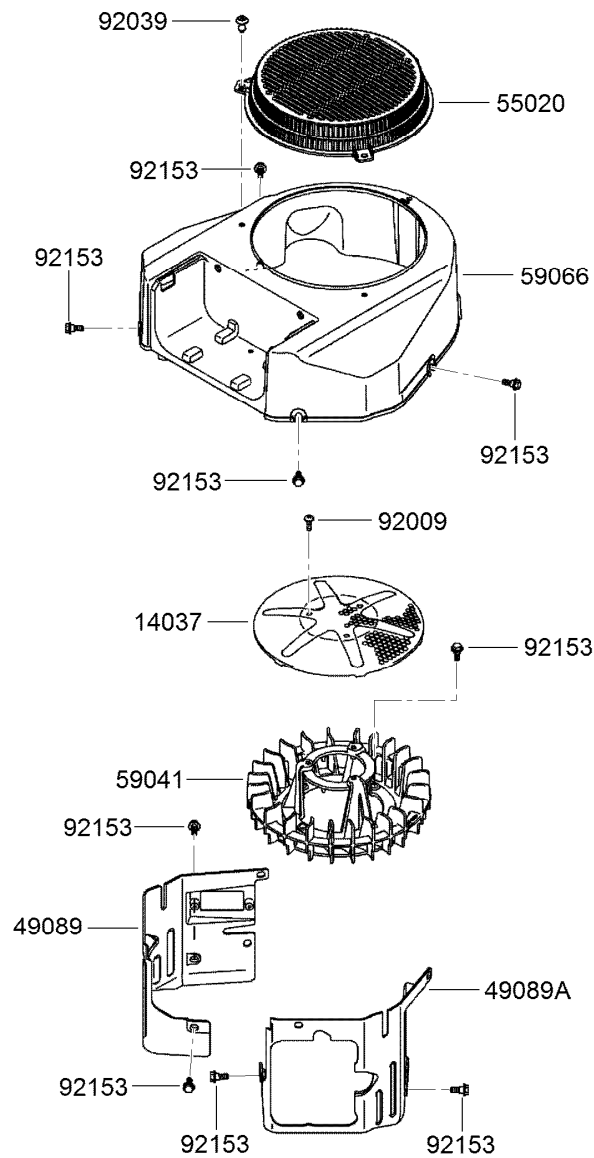
Valve and Camshaft Assembly

Ref.	Part Number	Qty.	Description	Ref.	Part Number	Qty.	Description
130	119-5845	4	Bolt-Flanged (8X14)	13271A	114-8672	1	Plate-Governor
312	119-5846	4	Nut-Hex (6Mm)	42036	114-8673	1	Sleeve
11055	119-5832	4	Bracket	49078	119-5838	4	Spring-Valve, Engine (In)
12004	120-7413	2	Valve-Intake	49118	120-7417	1	Camshaft ASM
12005	120-7414	2	Valve-Exhaust	92033	114-8675	3	Ring-Snap
12009	108-2525	4	Retainer-Spring, Valve	92140	114-8676	6	Ball
12011	95-9744	8	Collet	92145	114-8677	1	Spring
12016	119-5835	4	Arm-Rocker	92152	119-5840	4	Collar
12032	108-2527	4	Tappet	92153	119-5841	4	Bolt (6X29.5)
13070	119-5836	1	Guide-Governor	92200	119-5842	4	Washer (8.1X18X0.5)
13116	120-7415	4	Rod-Push	92200A	119-5843	1	Washer (16X42X0.91)
13271	114-8671	1	Plate	92200B	119-5844	1	Washer (16.3X30X2.28)



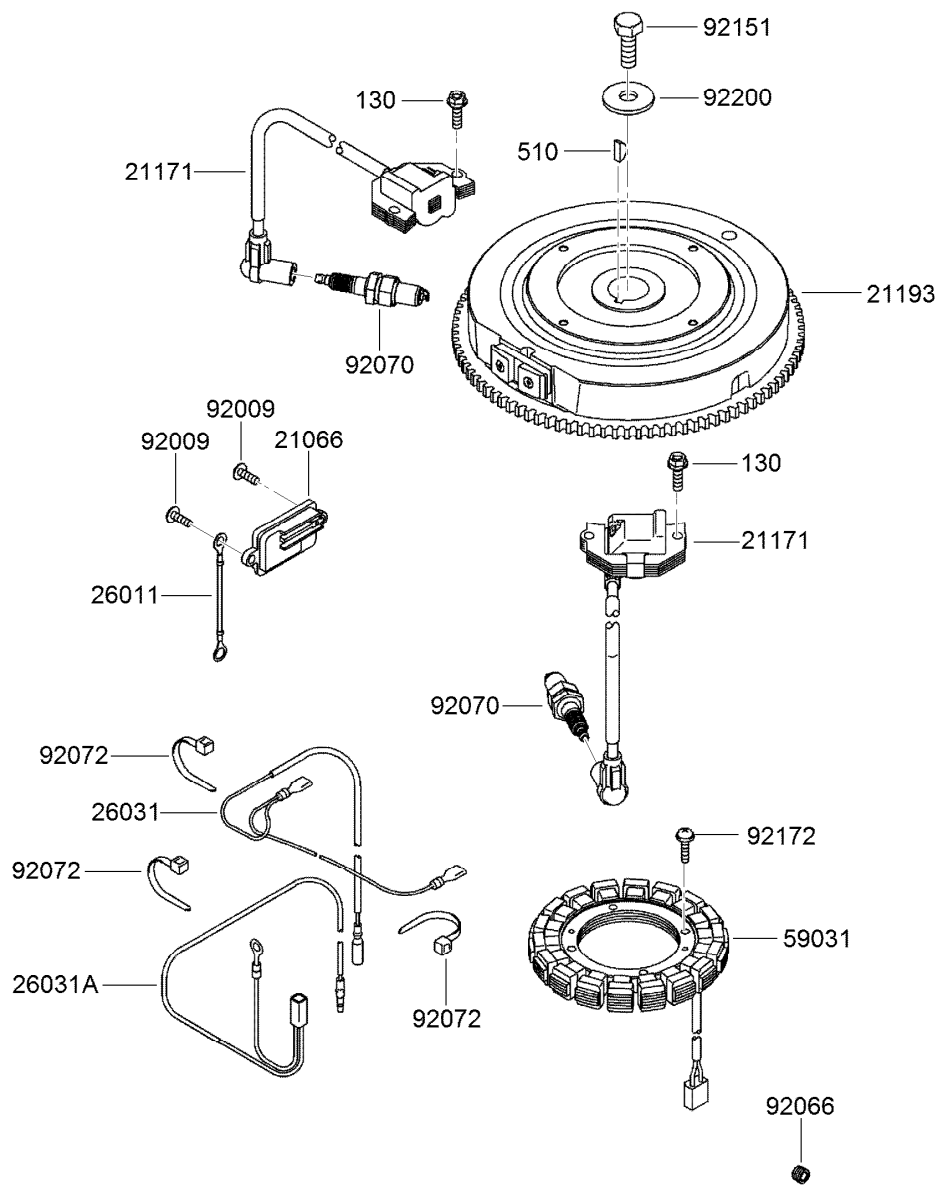
Lubrication Equipment Assembly

Ref.	Part Number	Qty.	Description
555	119-5859	1	Pin-Spring (4X20)
670	1-413506	2	Discontinued
13272	119-5847	1	Plate-Rotor
14075	119-5848	1	Oil Gauge Cap ASM
16154	119-5849	1	Rotor-Pump, Outer
16154A	119-5850	1	Rotor-Pump, Inner
49065	119-5851	1	Filter-Oil
49065A	119-5852	1	Filter-Oil
59231	119-5853	1	Tube-Filler, Oil
92066	119-5854	1	Plug
92066A	119-5855	1	Plug
92140	119-5856	1	Ball
92145	119-5857	1	Spring
92153	114-8697	1	Bolt
92153A	115-6419	3	Bolt (6X12)



Cooling Equipment Assembly

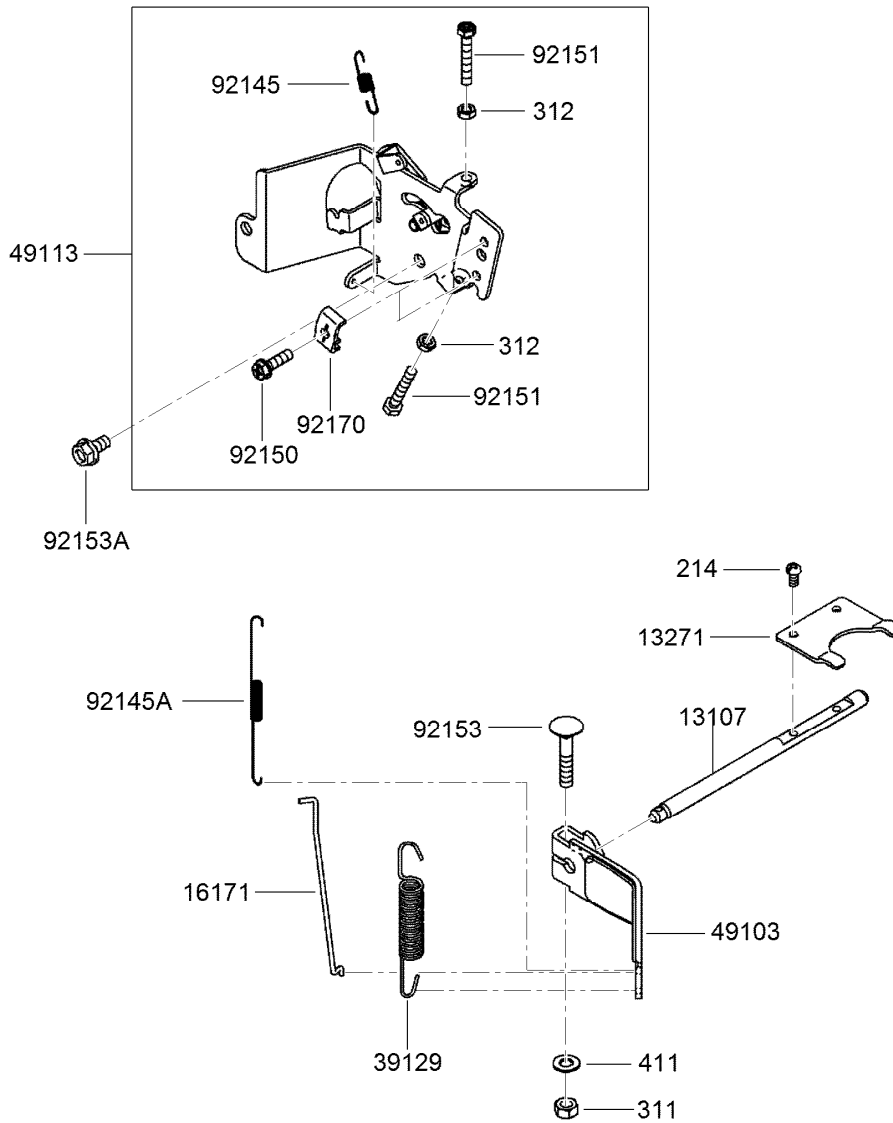
<i>Ref.</i>	<i>Part Number</i>	<i>Qty.</i>	<i>Description</i>
14037	120-7486	1	Screen
49089	120-7420	1	Shroud-Engine
49089A	120-7421	1	Shroud-Engine
55020	120-7487	1	Guard-Screen
59041	120-7488	1	Fan
59066	120-7489	1	Housing-Fan
92009	119-5879	3	Screw
92039	120-7490	3	Rivet-Guard
92153	120-7424	12	Bolt



Electric Equipment Assembly

Ref.	Part Number	Qty.	Description
130	95-9893	4	Bolt-Flanged (6X20)
510	KW10163	1	Key-Woodruff
21066	120-7356	1	Regulator-Voltage
21171	119-5872	2	Ignition Coil ASM
21193	120-7491	1	Flywheel ASM
26011	120-7492	1	Wire-Lead (L=95)
26031	119-5876	1	Harness
26031A	120-7493	1	Harness

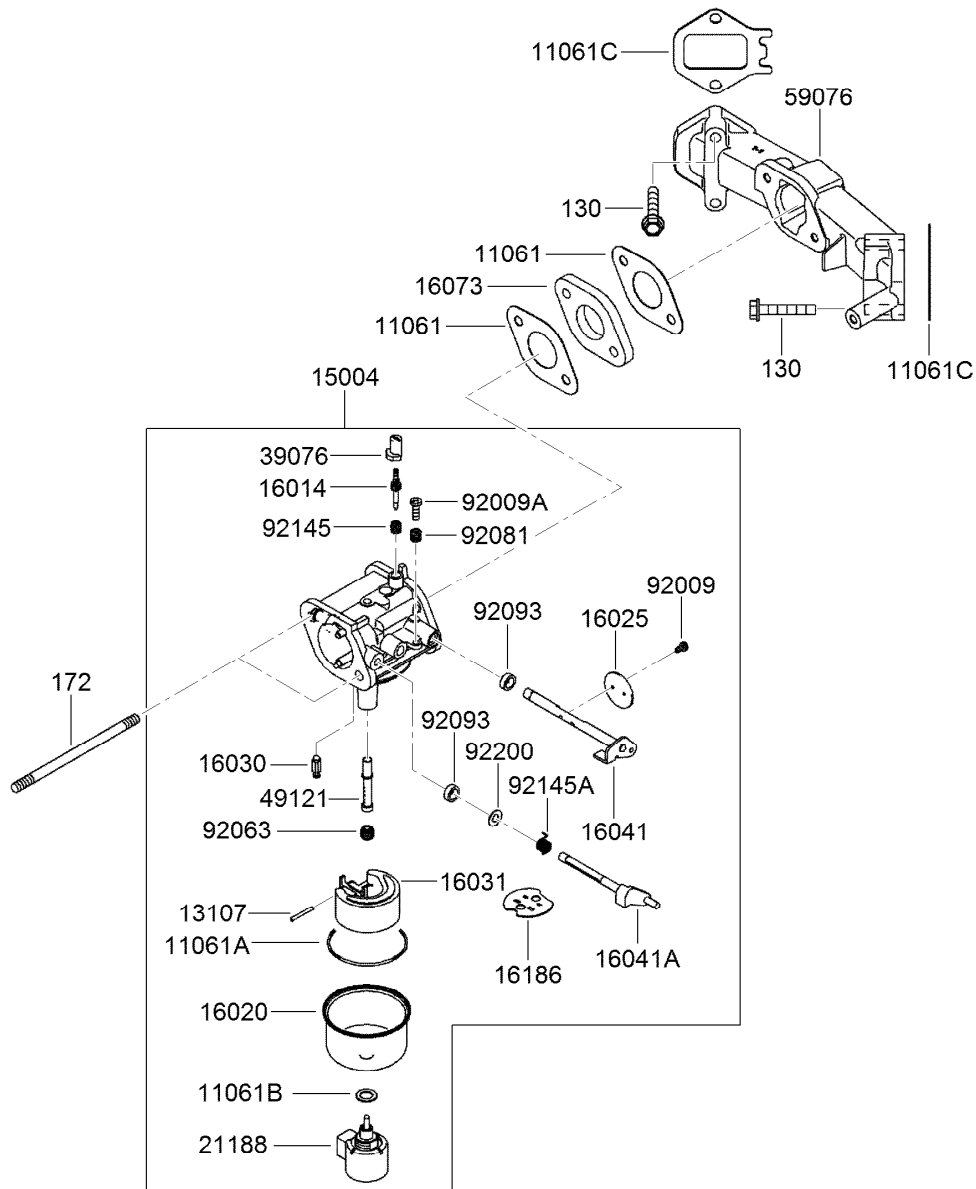
Ref.	Part Number	Qty.	Description
59031	120-7494	1	Coil-Charging
92009	119-5879	2	Screw
92066	119-5820	1	Plug
92070	92-2153	2	Spark Plug
92072	115-6585	3	Band
92151	115-6408	1	Bolt (12X30)
92172	115-4030	4	Screw (5X20)
92200	115-4031	1	Washer (12.2X46X3)



Control Equipment Assembly

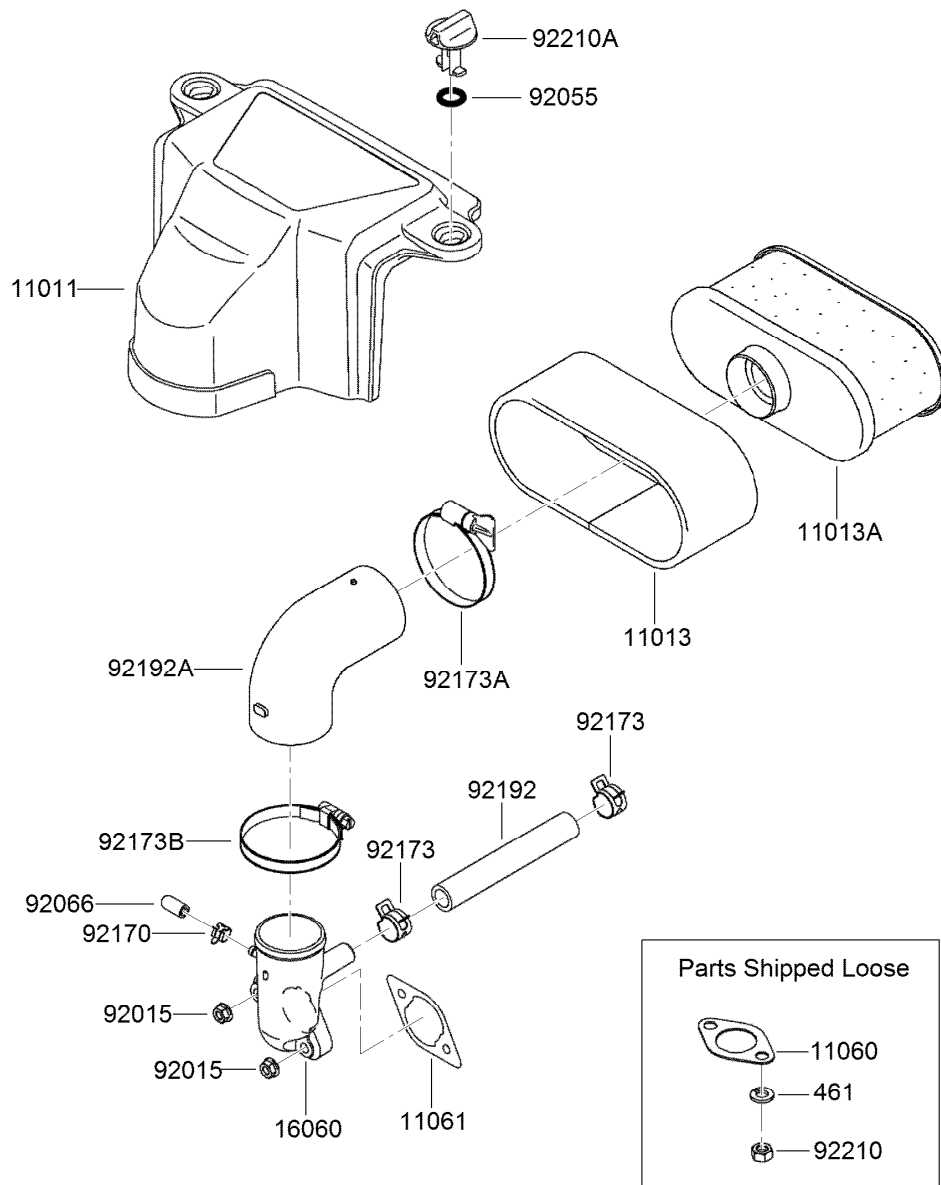
<i>Ref.</i>	<i>Part Number</i>	<i>Qty.</i>	<i>Description</i>
214	115-6422	2	Screw-Pan (4X8)
311	114-8698	1	Nut-Hex (6Mm)
312	119-5894	2	Nut-Hex (5Mm)
411	115-6423	1	Washer-Plain (6Mm)
13107	120-7428	1	Shaft
13271	119-5883	1	Plate
16171	120-7495	1	Link
39129	120-7496	1	Spring-Governor
49103	120-7431	1	Arm-Governor

<i>Ref.</i>	<i>Part Number</i>	<i>Qty.</i>	<i>Description</i>
49113	120-7497	1	Control Panel ASM
92145	120-7498	1	Spring
92145A	119-5889	1	Spring
92150	95-9853	2	Bolt (5X18)
92151	119-5891	2	Bolt (5X30)
92153	115-6420	1	Bolt (6X35)
92153A	114-8655	1	Bolt (6X12)
92170	115-6421	2	Clamp



Carburetor Assembly

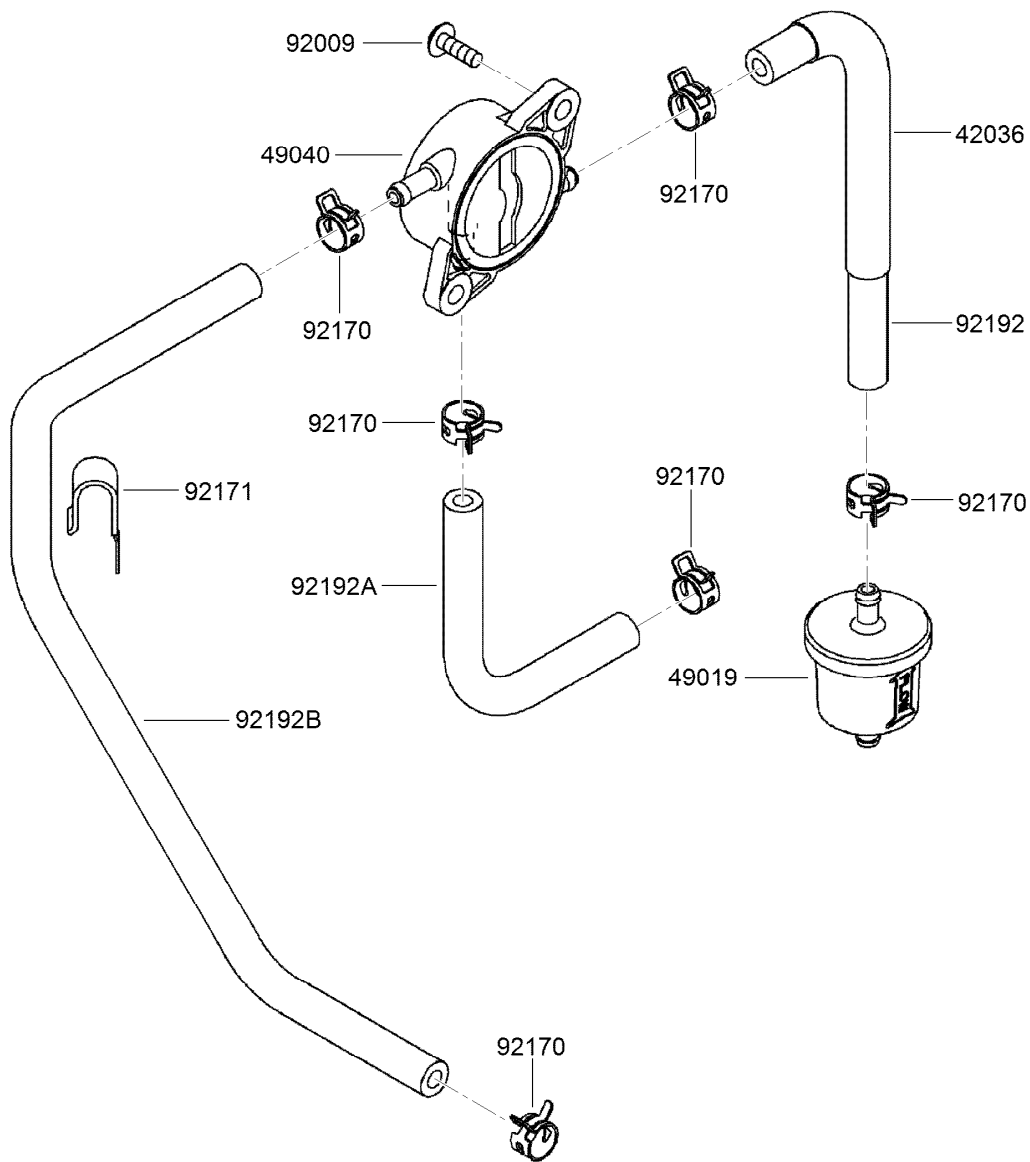
Ref.	Part Number	Qty.	Description	Ref.	Part Number	Qty.	Description
130	115-6591	4	Bolt-Flanged (6X35)	16073	115-6594	1	Insulator
172	120-7446	2	Bolt-Stud (6X95)	16186	120-7438	1	Choke Valve ASM
11061	115-6424	2	Gasket-Insulator	21188	115-6597	1	Solenoid
11061A	115-6425	1	Gasket-Chamber	39076	108-2593	1	Limiter
11061B	108-2580	1	Gasket-Screw	49121	120-7500	1	Nozzle-Main
11061C	120-7433	2	Gasket-Manifold	59076	120-7440	1	Manifold-Intake
13107	115-6427	1	Shaft	92009	108-2595	2	Screw
15004	120-7499	1	Carburetor ASM	92009A	108-2596	1	Screw
16014	120-7436	1	Screw-Air, Pilot	92063	120-7443	1	Jet-Main, No. 102
16020	115-6430	1	Chamber-Float	92081	108-2598	1	Spring
16025	115-6431	2	Valve-Throttle	92093	108-2599	2	Seal
16030	115-6432	1	Valve-Float	92145	108-2600	1	Spring
16031	115-6433	1	Float	92145A	120-7444	1	Spring
16041	115-6435	1	Shaft-Throttle, Carburetor	92200	120-7445	1	Washer (9.8X5.5X1.0)
16041A	120-7437	1	Shaft-Carburetor, Choke				



Air Filter and Muffler Assembly

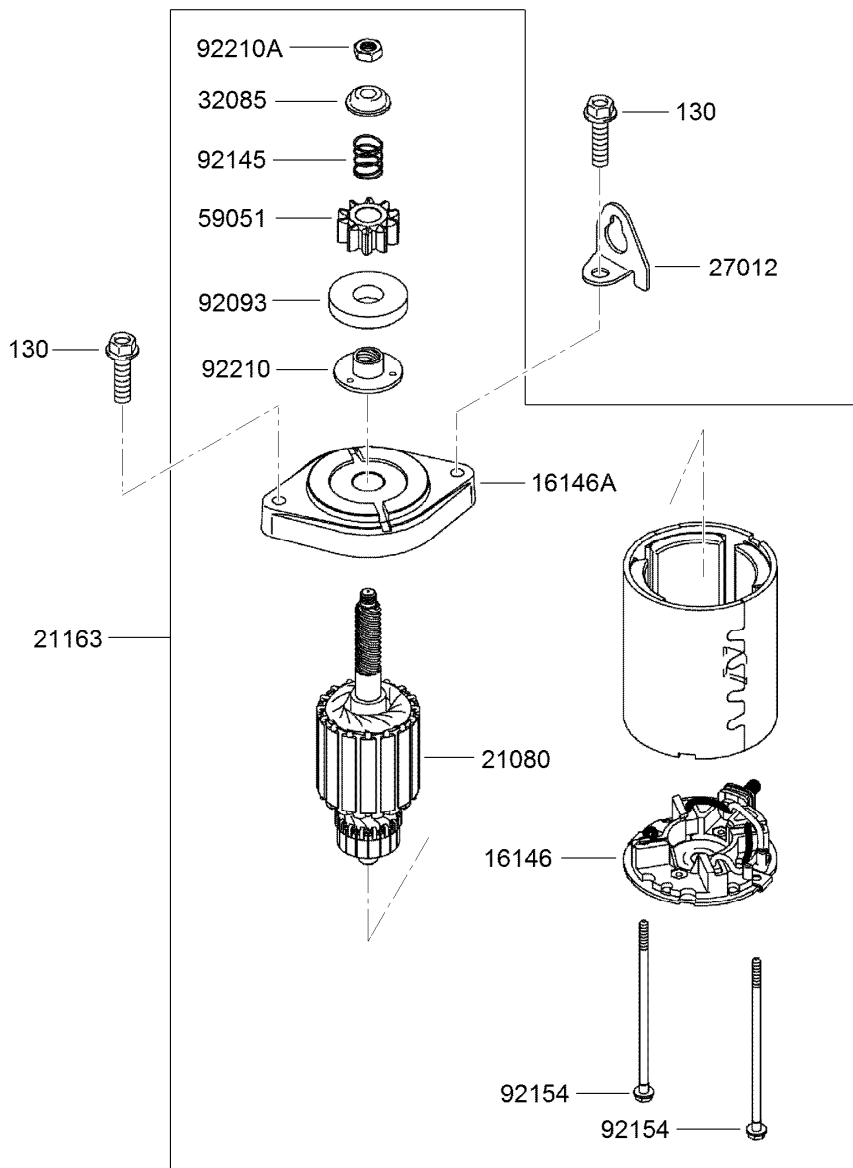
<i>Ref.</i>	<i>Part Number</i>	<i>Qty.</i>	<i>Description</i>
461	119-5962	4	Washer-Spring (8Mm)
11011	120-7477	1	Case-Filter, Air
11013	120-7501	1	Element-Filter, Air
11013A	120-7502	1	Element-Filter, Air
11060	119-5948	2	Gasket-Muffler
11061	115-6426	1	Gasket-Cleaner, Air
16060	120-7450	1	Pipe-Intake
92015	119-5954	2	Nut
92055	120-7451	2	O-Ring

<i>Ref.</i>	<i>Part Number</i>	<i>Qty.</i>	<i>Description</i>
92066	120-7452	1	Plug
92170	120-7453	1	Clamp
92173	119-5956	2	Clamp
92173A	120-7454	1	Clamp
92173B	120-7455	1	Clamp
92192	119-5957	1	Tube (12.6X18.6X118)
92192A	120-7503	1	Tube-A/C
92210	119-5959	4	Nut (M8)
92210A	120-7457	2	Nut



Fuel Pump and Filter Assembly

<i>Ref.</i>	<i>Part Number</i>	<i>Qty.</i>	<i>Description</i>
42036	119-5963	1	Sleeve
49019	121-4570	1	Filter-Fuel
49040	119-5965	1	Pump-Fuel
92009	119-5879	2	Screw
92170	119-5967	6	Clamp
92171	119-5968	1	Clamp
92192	119-5969	1	Tube (6.35X12.7X185)
92192A	119-5970	1	Tube (6.4X12.7X150)
92192B	120-7516	1	Tube (6.35X12.7X360)



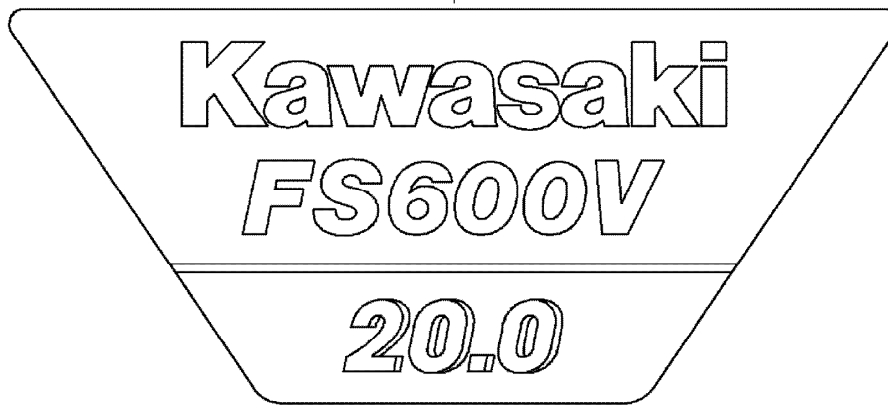
Starter Assembly

Ref.	Part Number	Qty.	Description
130	120-7515	2	Bolt-Flanged (8X30)
16146	120-7504	1	Cover ASM
16146A	120-7505	1	Cover ASM
21080	120-7506	1	Armature
21163	120-7507	1	Electric Starter ASM
27012	119-5983	1	Hook
32085	120-7508	1	Stopper
59051	120-7509	1	Gear-Spur
92093	120-7510	1	Seal
92145	120-7511	1	Spring
92154	120-7512	2	Bolt
92210	120-7513	1	Nut
92210A	120-7514	1	Nut

56070



56080



Label Set

<i>Ref.</i>	<i>Part Number</i>	<i>Qty.</i>	<i>Description</i>
56070	108-2625	1	Label-Warning
56080	120-7517	1	Label-Brand

Attachments and Accessories

For 22973 TRX-20 Trencher

Product Name	Model/Part
8in Chain Conversion Kit for 36in Soil Chain	117-3480
50 Hour Filter Kit	137-3815
200 Hour Filter Kit	137-3817
Crumber Kit	22477
24in X 4in Soil Chain	22480
24in X 4in Combination Chain	22481
24in X 4in Rock Tooth Chain	22482
24in X 6in Soil Chain	22483
24in X 6in Combination Chain	22484
24in X 6in Rock Tooth Chain	22485
36in X 4in Soil Chain	22486
36in X 4in Combination Chain	22487
36in X 4in Rock Tooth Chain	22488
36in X 6in Rock Tooth Chain	22489
36in X 6in Soil Chain	22490
36in X 6in Combination Chain	22491
48in x 4in Soil Chain	22492
48in x 4in Combination Chain	22493
48in x 6in Soil Chain	22494
48in x 6in Combination Chain	22495
24in X 4in Bullet Chain	22496
24in X 6in Bullet Chain	22497
36in X 4in Bullet Chain	22498
36in X 6in Bullet Chain	22499
24in Trencher Boom	22975
36in Trencher Boom	22976
48in Trencher Boom	22977
Bore Drive Attachment	22978
Backfill Blade	22980
Spark Arrestor Screen	94-8157

Notes:

Notes:

Notes:



Count on it.