

Cable Replacement Instructions for 48" Snow Blade

MODEL NO. 79271 - 4900001 & UP
MODEL NO. 99271 - 4900001 & UP
MODEL NO. 9861915 - T4P0001 & UP

**SUPPLEMENT
SHEET**

After the blade and index lever have been assembled, replace the existing upper cable on the index lever with the 13 inch long one provided in this kit.

Loose Parts

DESCRIPTION	QTY.	USE
Cable (13 inch)	1	Replace existing (11 inch) upper cable

Replace Upper Cable

1. Remove the existing upper cable by loosening jam nut, unthreading from turnbuckle and unhooking "Z" end from release lever.
2. Remove the jam nut from the existing cable and transfer to the new cable, threading on all the way.
3. Hook "Z" end of new (13 inch) cable into outer hole of the release lever (Fig. 1).
4. Install threaded end of cable into turnbuckle (Fig. 1).
5. Adjust turnbuckle so the index pin is pulled out of channel when the release lever is squeezed, for easy side-to-side movement (Fig. 1).
6. Tighten jam nut securely (Fig. 1).

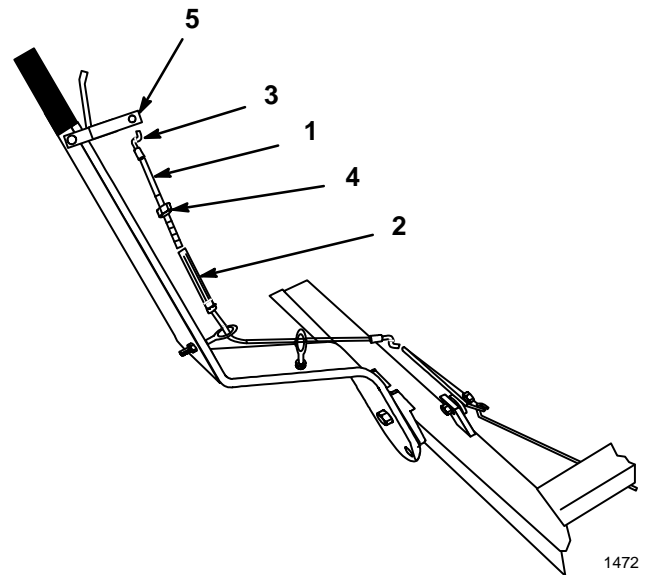


Figure 1

- | | |
|----------------|------------------|
| 1. Upper Cable | 4. Jam Nut |
| 2. Turnbuckle | 5. Release Lever |
| 3. "Z" End | |