



**Count on it.**

**Parts Catalog**

**SnowMax 724 QXE  
Snowthrower**

Model No. 38721—Serial No. 40000000 and Up



# Ordering Replacement Parts

To order replacement parts, please supply the part number, the quantity, and the description of each part desired.

## Understanding Reference Numbers

Each identified part in an illustration has a reference number. The reference number for a part also appears in the parts list, along with other information about the part.

This catalog uses two special reference number formats, one to indicate parts in a service assembly and another to indicate the quantity of a given part in an illustration.

## Service Assembly Reference Numbers

Parts in service assemblies have reference numbers in the form a:b. The a represents the reference number of the entire service assembly and the b represents a sequential number unique to each part within the service assembly.

For example, a wheel assembly might be identified by reference number 6, the tire by 6:1, the valve by 6:2, and the wheel by 6:3. When you order the assembly identified by reference number 6, you receive all parts identified by reference numbers 6:1, 6:2, and 6:3. However, you may also order any part individually. Reference numbers of this type appear in illustration and in parts lists.

## Reference Numbers Indicating Quantity

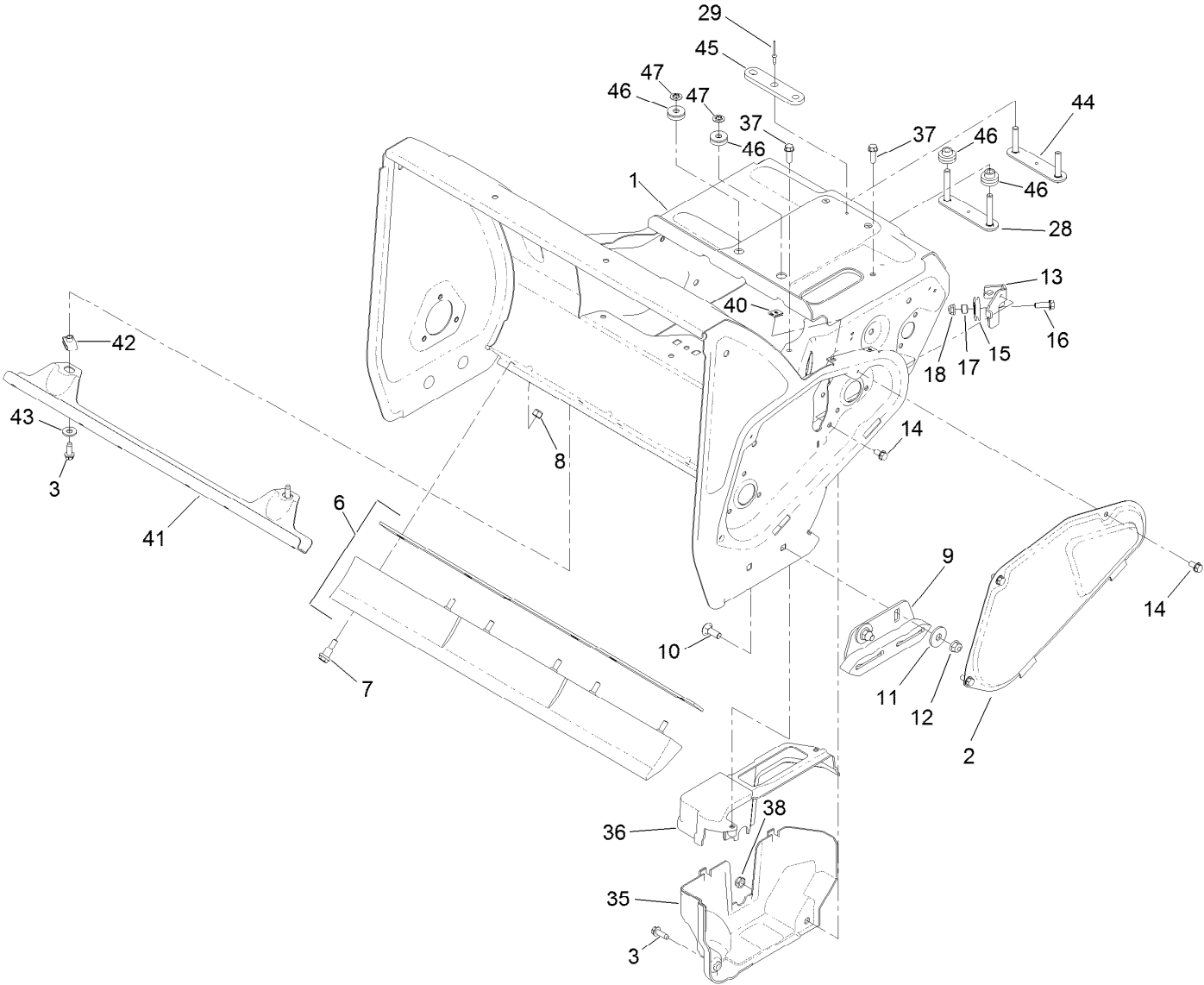
In an illustration, if a reference number indicates more than one part, the reference number has the form nX y. The n represents the quantity of the part, the X is the multiplication symbol, and the y represents the reference number.

For example, in an illustration, the reference number 2X 37 means that two of the parts identified by reference number 37 are indicated.

# Contents

Main Frame Assembly .....	4
Rotor Assembly .....	6
Rotor Drive Assembly .....	8
Transmission, Drive and Tire Assembly .....	10
Engine Assembly .....	12
Fuel System and Carburetor Assembly .....	14
Intake and Exhaust Assembly .....	16
Ignition and Electrical Assembly .....	18
Crankcase Assembly .....	20
Governor Assembly .....	22
Piston and Head Assembly .....	24
Blower Housing and Shrouds Assembly .....	26
Engine Decal Assembly .....	28
Chute Assembly .....	30
Lever Chute Control Assembly .....	32
Handle and Control Assembly .....	34
Attachments and Accessories .....	36

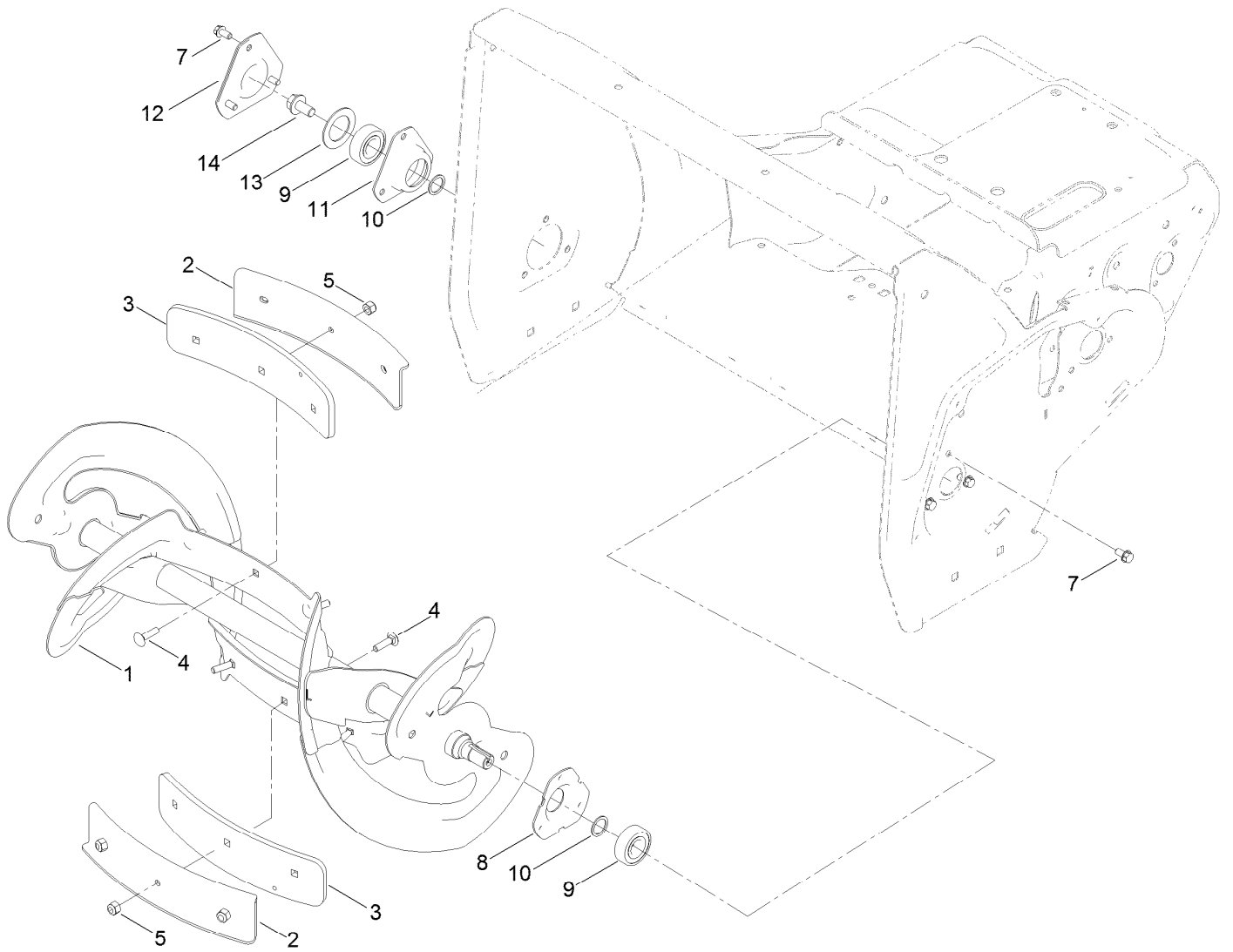
# Main Frame Assembly



## Main Frame Assembly (continued)

<i>Ref.</i>	<i>Part Number</i>	<i>Qty.</i>	<i>Description</i>	<i>Ref.</i>	<i>Part Number</i>	<i>Qty.</i>	<i>Description</i>
1	130-9550-01	1	Frame	18	137-3005	1	Nut-HF
2	130-9581-01	1	Cover-Belt	28	136-7172	1	Plate-Stud, Front ASM
3	49-2040	3	Screw-HWHTF	29	923786	1	Rivet
6	130-9628	1	Scraper ASM	35	131-1763	1	Cover-Belt, Lower
7	104-0858	6	Bolt-Shoulder	36	131-1764	1	Cover-Belt, Upper
8	137-3088	6	Nut-Hex	37	137-3099	2	Screw-Plastite, HWH
9	130-9619	2	Skid ASM	38	137-3089	1	Nut-Hex
10	137-3059	4	Bolt-CARR	40	107-1013	2	Nut-Speed, U-Type
11	119-4150	4	Washer-Flat	41	131-1797-01	1	Support-Frame, Lower
12	119-4041	4	Nut-HF	42	107069	2	Clip
13	131-1793-03	1	Bracket-Cable	43	120-9646	2	Washer-Flat
14	32144-4	4	Screw-HWH	44	136-7177	1	Plate-Stud, Rear ASM
15	95-7949	1	Cable-Pulley	45	131-5944-01	1	Plate-Spacer
16	120-9678	1	Screw-HHF	46	131-5945	2	Isolator-Engine
17	55-9370	1	Spacer-Blade, Rotor	47	109-5667	2	Ring-Retaining, Bolt

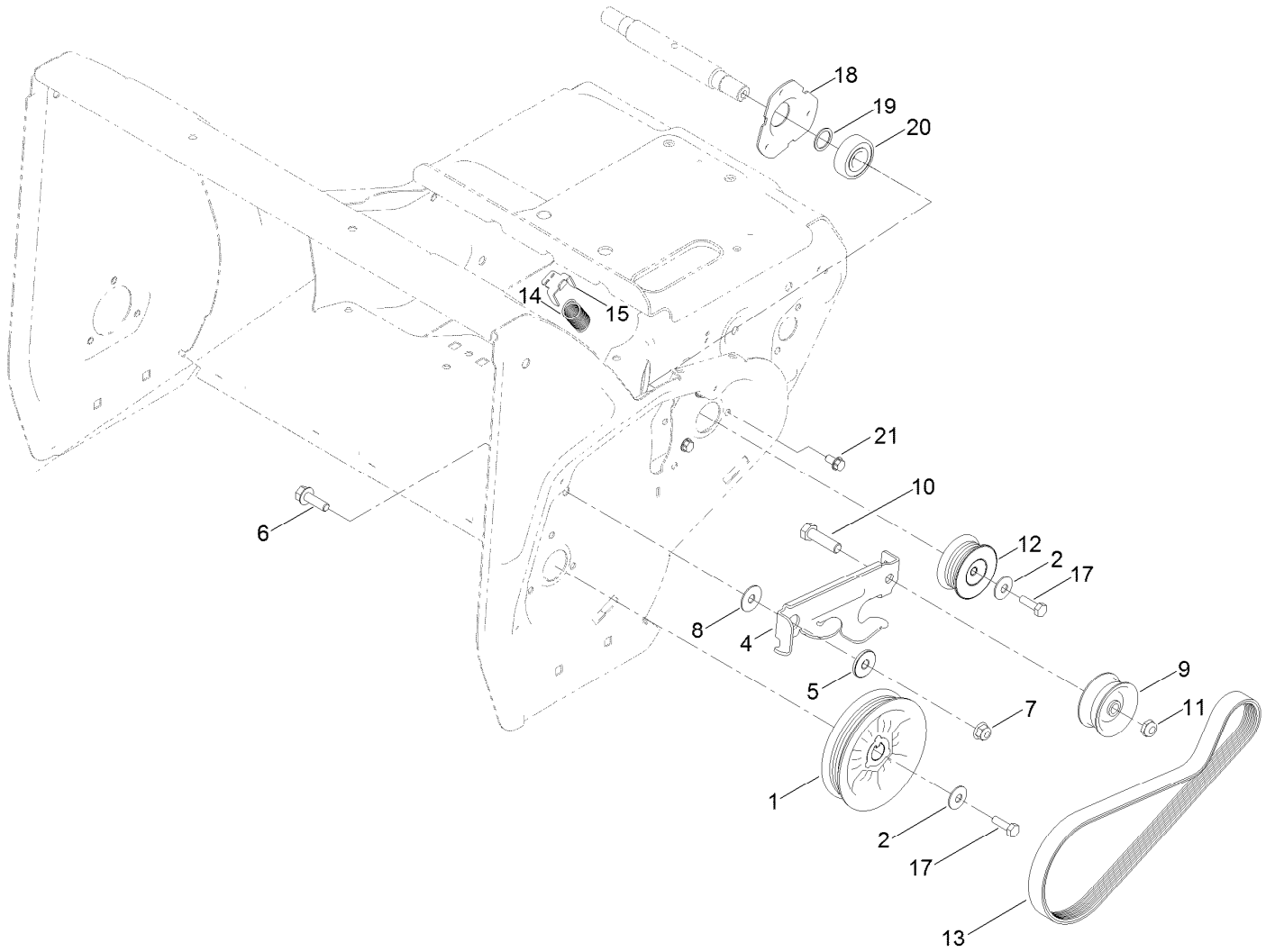
# Rotor Assembly



## Rotor Assembly (continued)

<i>Ref.</i>	<i>Part Number</i>	<i>Qty.</i>	<i>Description</i>	<i>Ref.</i>	<i>Part Number</i>	<i>Qty.</i>	<i>Description</i>
1	130-9571-03	1	Rotor ASM	9	38-7820	2	Bearing-Ball
2	130-9568-03	2	Support-Center, Rotor	10	52-7280	2	Washer-Thrust
3	130-9569	2	Paddle-Center	11	136-7169	1	Flange-Bearing
4	137-3055	6	Bolt-CARR	12	130-9558-01	1	Cap-Bearing
5	137-3088	6	Nut-Hex	13	131-5905	1	Washer-Rubber
7	32144-4	6	Screw-HWH	14	110-9380	1	Screw-HWH
8	136-7134	1	Flange-Bearing				

# Rotor Drive Assembly

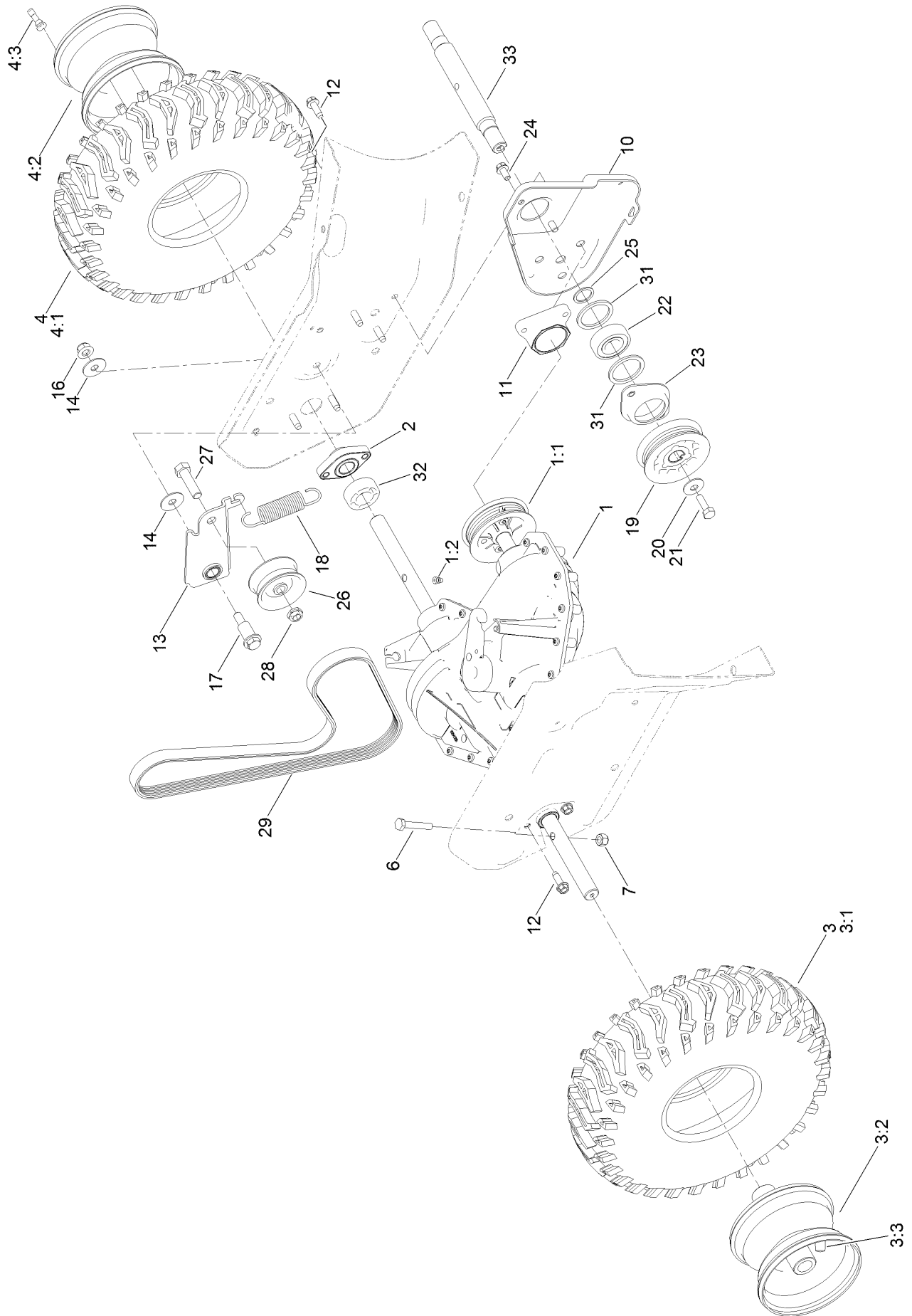




## Rotor Drive Assembly (continued)

<i>Ref.</i>	<i>Part Number</i>	<i>Qty.</i>	<i>Description</i>	<i>Ref.</i>	<i>Part Number</i>	<i>Qty.</i>	<i>Description</i>
1	130-9574	1	Pulley-Rotor	12	130-9577	1	Pulley-Jackshaft, Rotor
2	3290-456	2	Washer-Belleville	13	131-5967	1	Belt-Poly V
4	136-7179	1	Arm-Engagement, Rotor	14	130-9572	1	Spring-Extension
5	117-7711	1	Bushing-Idler	15	136-7133	1	Clip-Spring
6	137-3067	1	Screw-HHF	17	9080046	2	Screw-HH
7	119-4041	1	Nut-HF	18	136-7134	1	Flange-Bearing
8	108-4925	1	Washer	19	52-7280	1	Washer-Thrust
9	131-5988	1	Pulley-Idler, Flat	20	38-7820	1	Bearing-Ball
10	137-3065	1	Screw-HH	21	32144-4	3	Screw-HWH
11	121-4600	1	Nut-Hex				

# Transmission, Drive and Tire Assembly

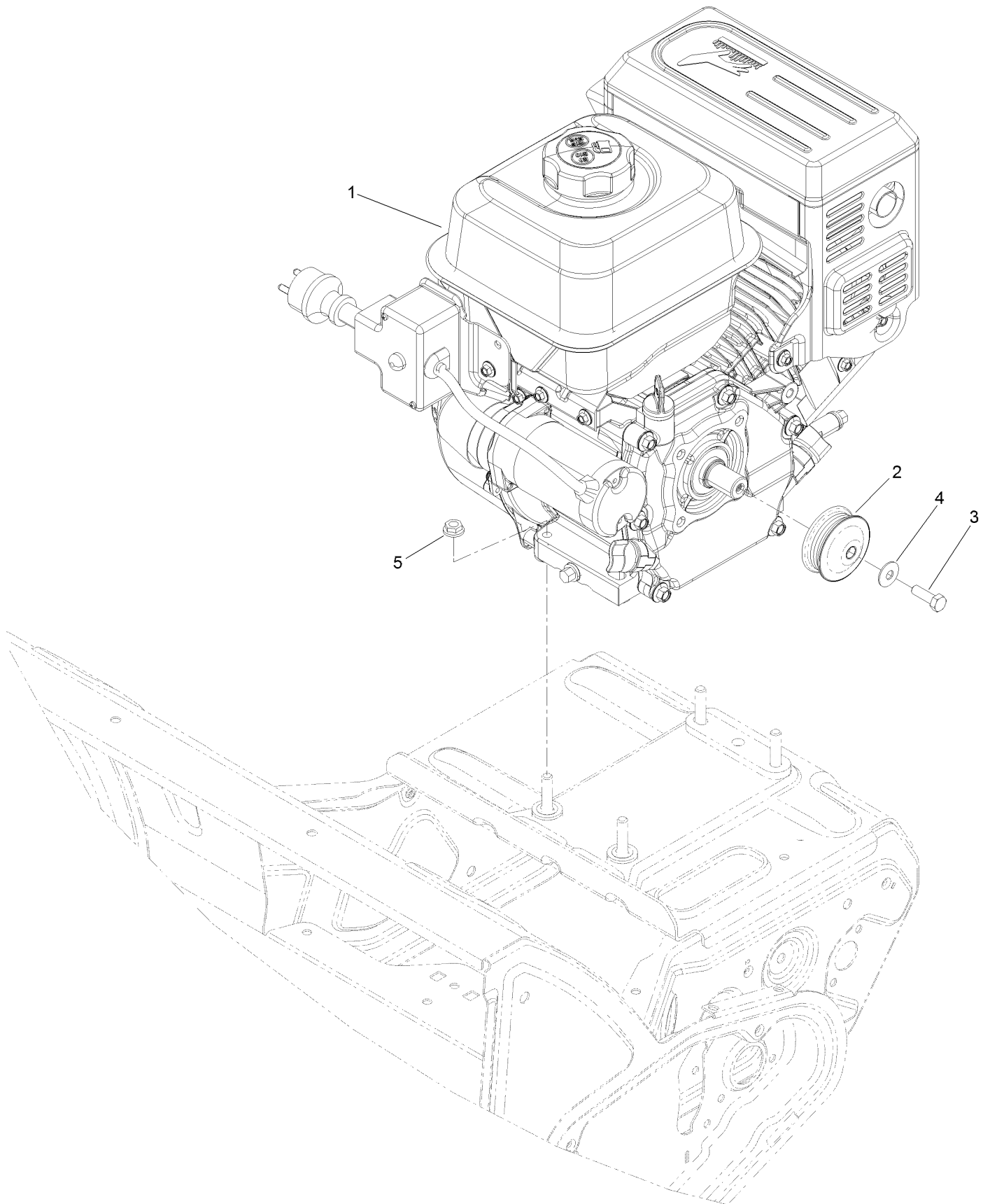


## Transmission, Drive and Tire Assembly (continued)

<i>Ref.</i>	<i>Part Number</i>	<i>Qty.</i>	<i>Description</i>	<i>Ref.</i>	<i>Part Number</i>	<i>Qty.</i>	<i>Description</i>
1	130-9642	1	Transmission	14	108-4925	2	Washer
1:1	131-5973	1	Pulley Repair Kit	16	119-4041	1	Nut-HF
1:2	131-5984	1	Plug-Oil	17	136-7192	1	Bolt-Shoulder, HHF
2	130-9643	2	Bearing-Axle	18	130-9645	1	Spring-Extension
3		1	RH Wheel And Tire ASM ●	19	130-9583	1	Pulley-Jackshaft
3:1	130-9559	1	Tire	20	3290-456	1	Washer-Belleville
3:2	130-9560	1	Wheel	21	137-3003	1	Screw-HH,Lock
3:3	232-27	1	Stem-Valve	22	38-7820	1	Bearing-Ball
4		1	LH Wheel And Tire ASM ●	23	136-7171	1	Retainer-Bearing
4:1	130-9559	1	Tire	24	32144-4	2	Screw-HWH
4:2	130-9560	1	Wheel	25	52-7280	1	Washer-Thrust
4:3	232-27	1	Stem-Valve	26	131-5988	1	Pulley-Idler, Flat
6	137-3050	2	Screw-HH	27	137-3065	1	Screw-HH
7	137-3088	2	Nut-Hex	28	121-4600	1	Nut-Hex
10	130-9586-03	1	Plate-Support, Jackshaft	29	131-5968	1	Belt-Poly V
11	131-1794	1	Support-Bearing	31	131-5904	2	Washer-Rubber
12	49-2040	7	Screw-HWHTF	32	131-5910	1	Spacer-Axle
13	131-1795	1	Idler-Traction	33	130-9585	1	Jackshaft

● Not serviced separately

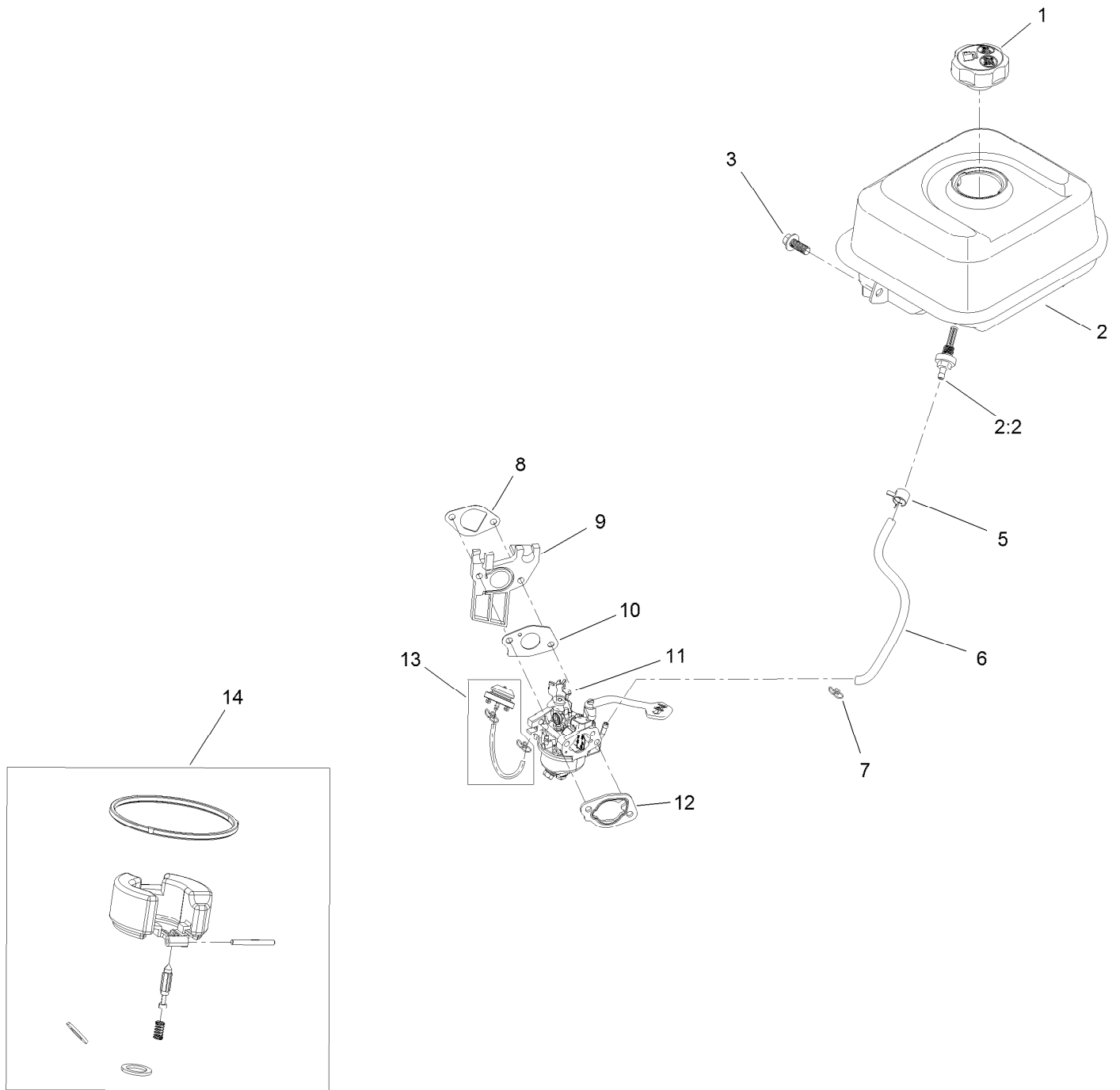
# Engine Assembly



## Engine Assembly (continued)

<i>Ref.</i>	<i>Part Number</i>	<i>Qty.</i>	<i>Description</i>	<i>Ref.</i>	<i>Part Number</i>	<i>Qty.</i>	<i>Description</i>
1	127-9172	1	Engine-G210Fds-2	4	3290-456	1	Washer-Belleville
2	131-5908	1	Pulley-Engine	5	137-3039	4	Nut-HF
3	137-3026	1	Screw-HH, Lock				

# Fuel System and Carburetor Assembly

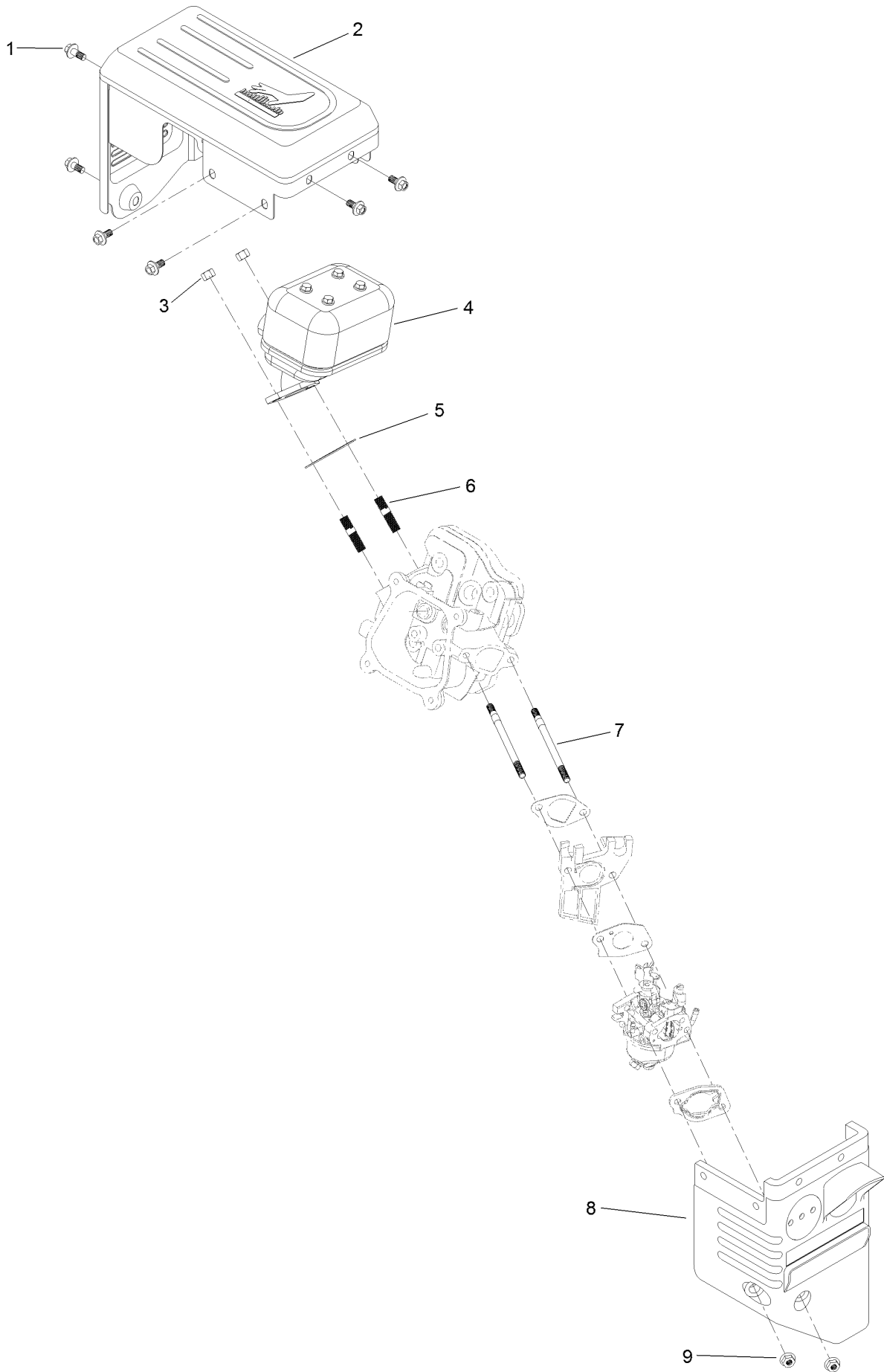


## Fuel System and Carburetor Assembly (continued)

<i>Ref.</i>	<i>Part Number</i>	<i>Qty.</i>	<i>Description</i>	<i>Ref.</i>	<i>Part Number</i>	<i>Qty.</i>	<i>Description</i>
1	133-9823	1	Cap-Fuel	9	121-0077	1	Insulator-Carburetor
2	127-9497	1	Fuel Tank And Filter ASM	10	121-0078	1	Gasket-Carburetor
2:2	127-9065	1	Filter-Fuel	11	127-9111	1	Carburetor ASM
3	121-0294	1	Screw-HHF	12	121-0080	1	Gasket-Carburetor
5	127-9120	1	Clamp-Hose	13	127-9079	1	Primer Kit
6	127-9403	1	Hose-Fuel	14	127-9394	1	Internal Carb Service Kit
7	121-0087	1	Clamp-Hose	99	127-9301	1	High Altitude Kit - G210 ●
8	121-0076	1	Gasket-Carburetor				

● Not illustrated

# Intake and Exhaust Assembly

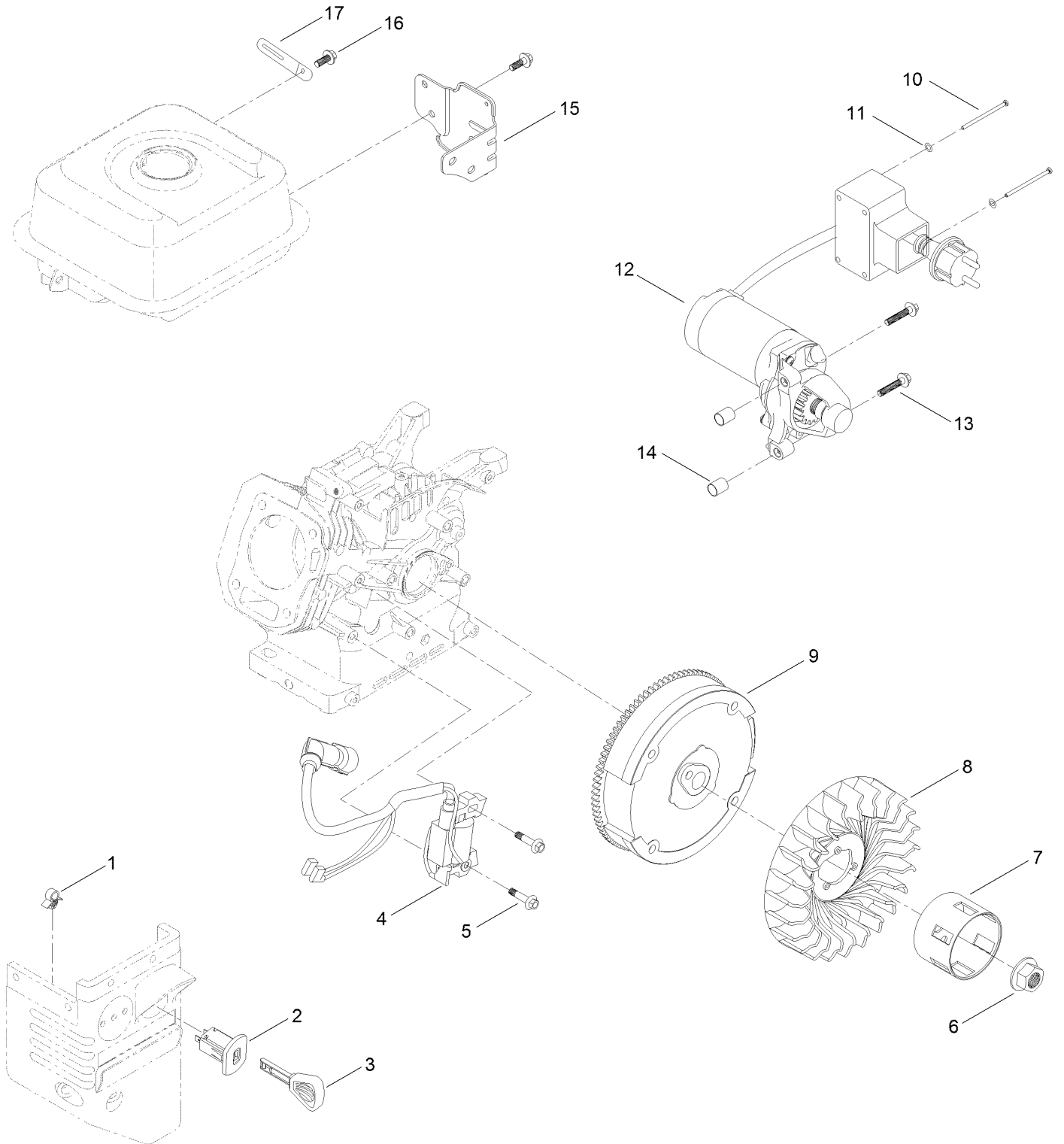




## Intake and Exhaust Assembly (continued)

<i>Ref.</i>	<i>Part Number</i>	<i>Qty.</i>	<i>Description</i>	<i>Ref.</i>	<i>Part Number</i>	<i>Qty.</i>	<i>Description</i>
1	121-0294	6	Screw-HHF	6	121-0464	2	Stud-Exhaust
2	136-7778	1	Guard-Muffler	7	121-4112	2	Stud-Intake
3	121-0199	2	Nut-HH	8	127-9112	1	Box-Heater
4	133-9846	1	Muffler ASM	9	121-0308	2	Nut-Flange
5	121-0167	1	Gasket-Exhaust				

# Ignition and Electrical Assembly

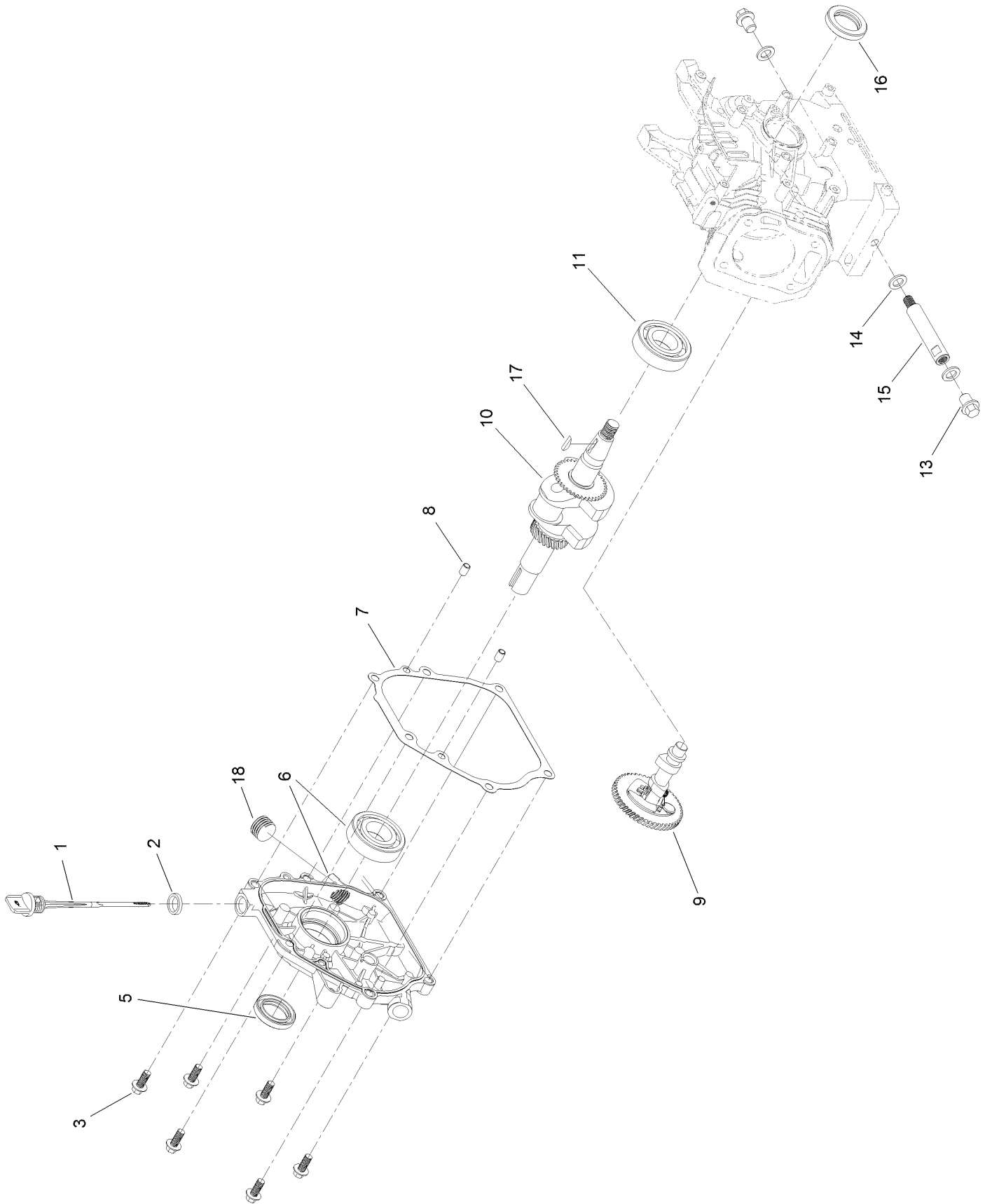


## Ignition and Electrical Assembly (continued)

<i>Ref.</i>	<i>Part Number</i>	<i>Qty.</i>	<i>Description</i>
1	121-0326	1	Clip
2	121-0283	1	Switch-Key
3	117-7728	1	Key
4	136-7769	1	Ignition Coil ASM
5	121-0097	2	Screw-HHF
6	121-0047	1	Nut-Flange
7	127-9106	1	Cup-Starter
8	127-9002	1	Fan
9	127-9005	1	Flywheel

<i>Ref.</i>	<i>Part Number</i>	<i>Qty.</i>	<i>Description</i>
10	121-0306	2	Screw-Bhp
11	121-0312	2	Washer-Plain
12	136-7777	1	Motor-Starter
13	133-1546	2	Screw-Flange
14	121-0055	2	Pin-Dowel
15	127-9407	1	Bracket-Box, Switch
16	127-9123	2	Screw-HHF
17	121-0017	1	Clip-Harness, Wire

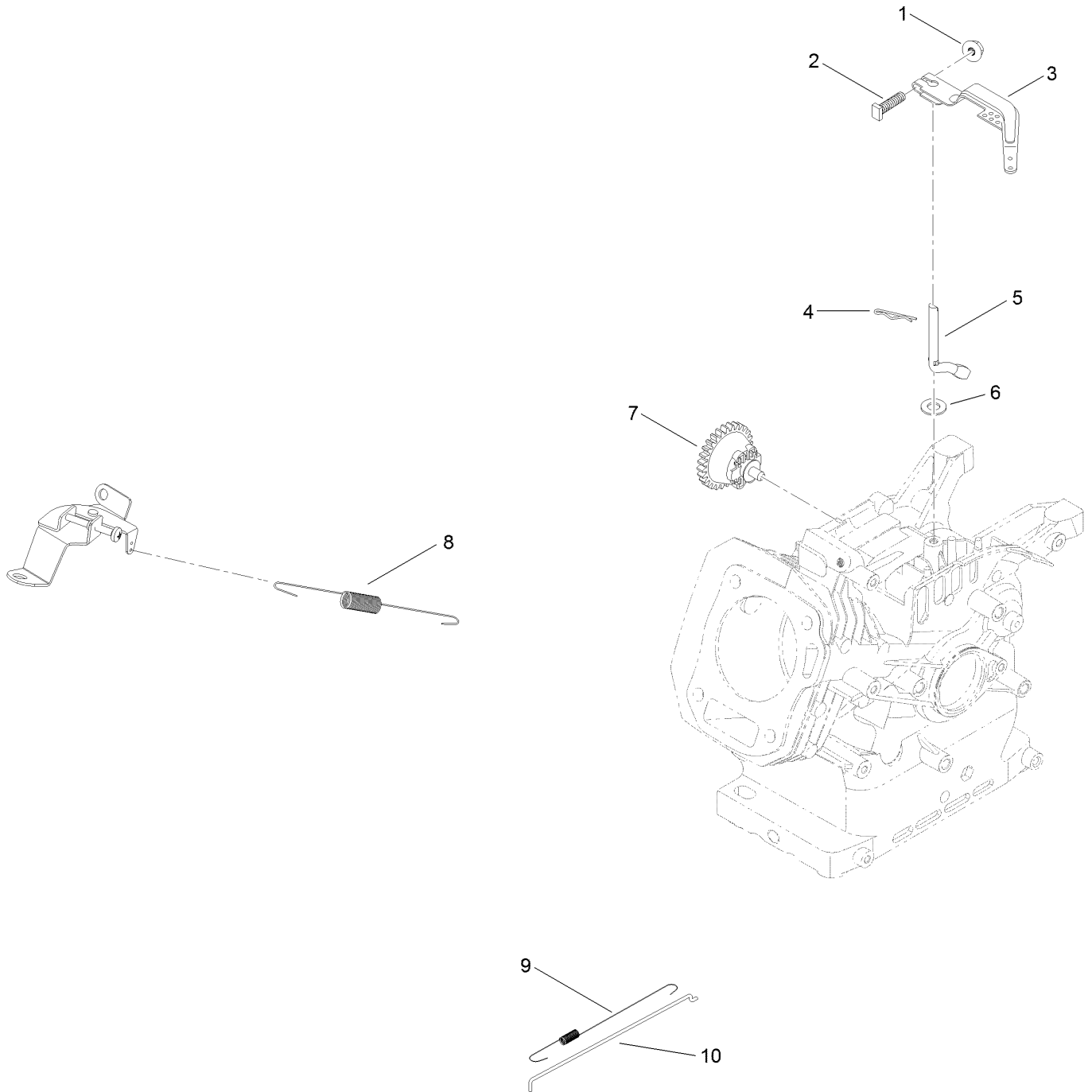
# Crankcase Assembly



## Crankcase Assembly (continued)

<i>Ref.</i>	<i>Part Number</i>	<i>Qty.</i>	<i>Description</i>	<i>Ref.</i>	<i>Part Number</i>	<i>Qty.</i>	<i>Description</i>
1	127-9409	1	Dipstick-Oil	10	127-9399	1	Crankshaft
2	127-9492	1	Gasket-Dipstick, Rubber	11	121-0056	1	Bearing-Ball
3	121-4114	6	Screw-HHF	13	121-0030	2	Screw-HHF
5	121-0209	1	Seal-Oil	14	121-0048	3	Washer-Plain
6	133-9843	1	Crankcase Cover ASM	15	127-9104	1	Tube-Drain, Oil
7	121-0105	1	Gasket-Cover, Crankcase	16	121-0208	1	Seal-Oil
8	121-0054	2	Pin-Dowel	17	120-4320	1	Key-Woodruff
9	133-9836	1	Camshaft	18	133-9805	1	Plug-Drain

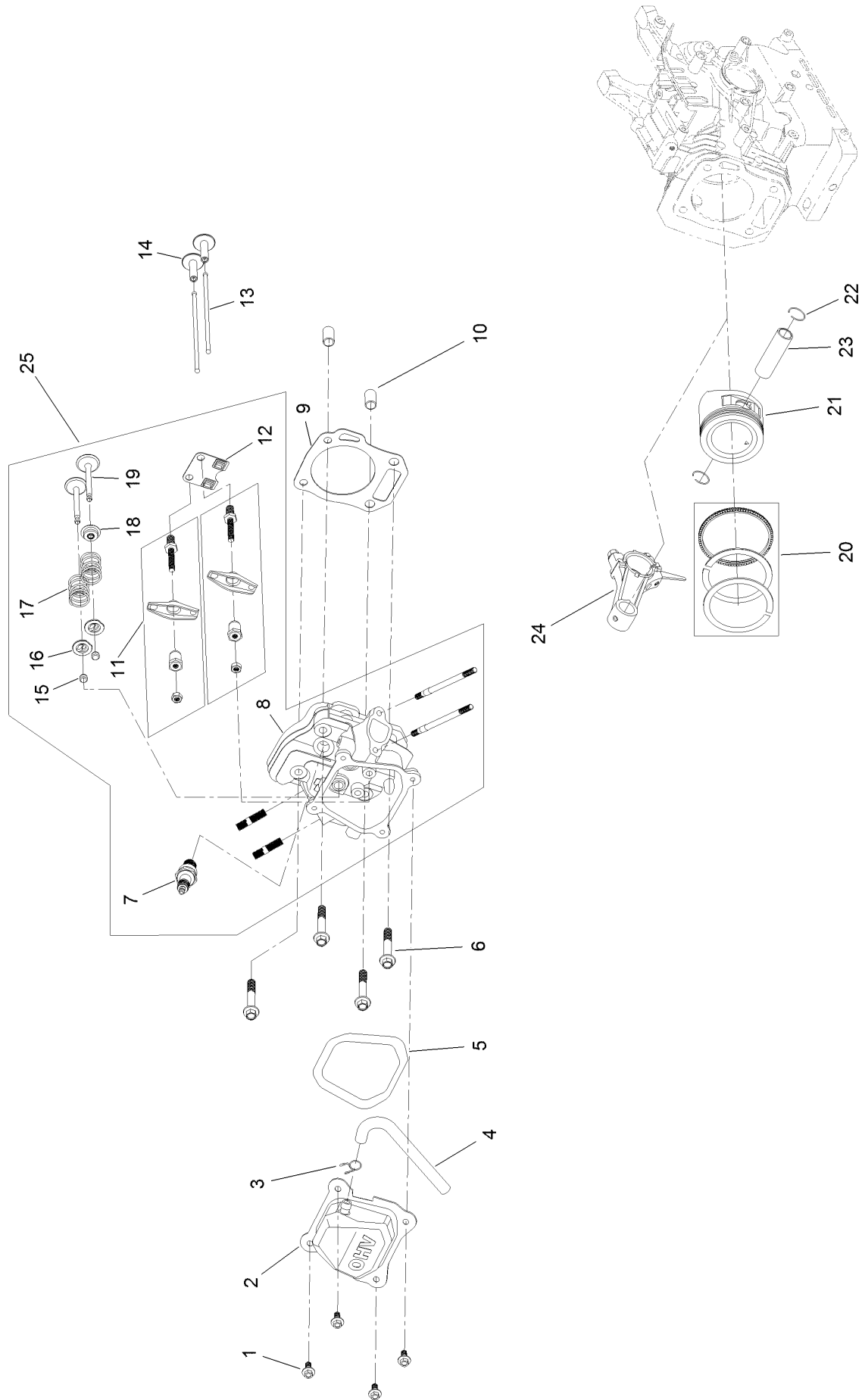
# Governor Assembly



## Governor Assembly (continued)

<i>Ref.</i>	<i>Part Number</i>	<i>Qty.</i>	<i>Description</i>	<i>Ref.</i>	<i>Part Number</i>	<i>Qty.</i>	<i>Description</i>
1	120-4236	1	Nut-Flange	6	121-0498	1	Washer-Plain
2	120-4238	1	Bolt-Arm, Governor	7	133-9994	1	Governor Gear ASM
3	121-0155	1	Arm-Governor	8	127-9398	1	Spring-Governor
4	120-4256	1	Pin-Hair	9	121-0153	1	Spring-Return, Throttle
5	136-7763	1	Shaft-Governor	10	121-0148	1	Rod-Governor

# Piston and Head Assembly

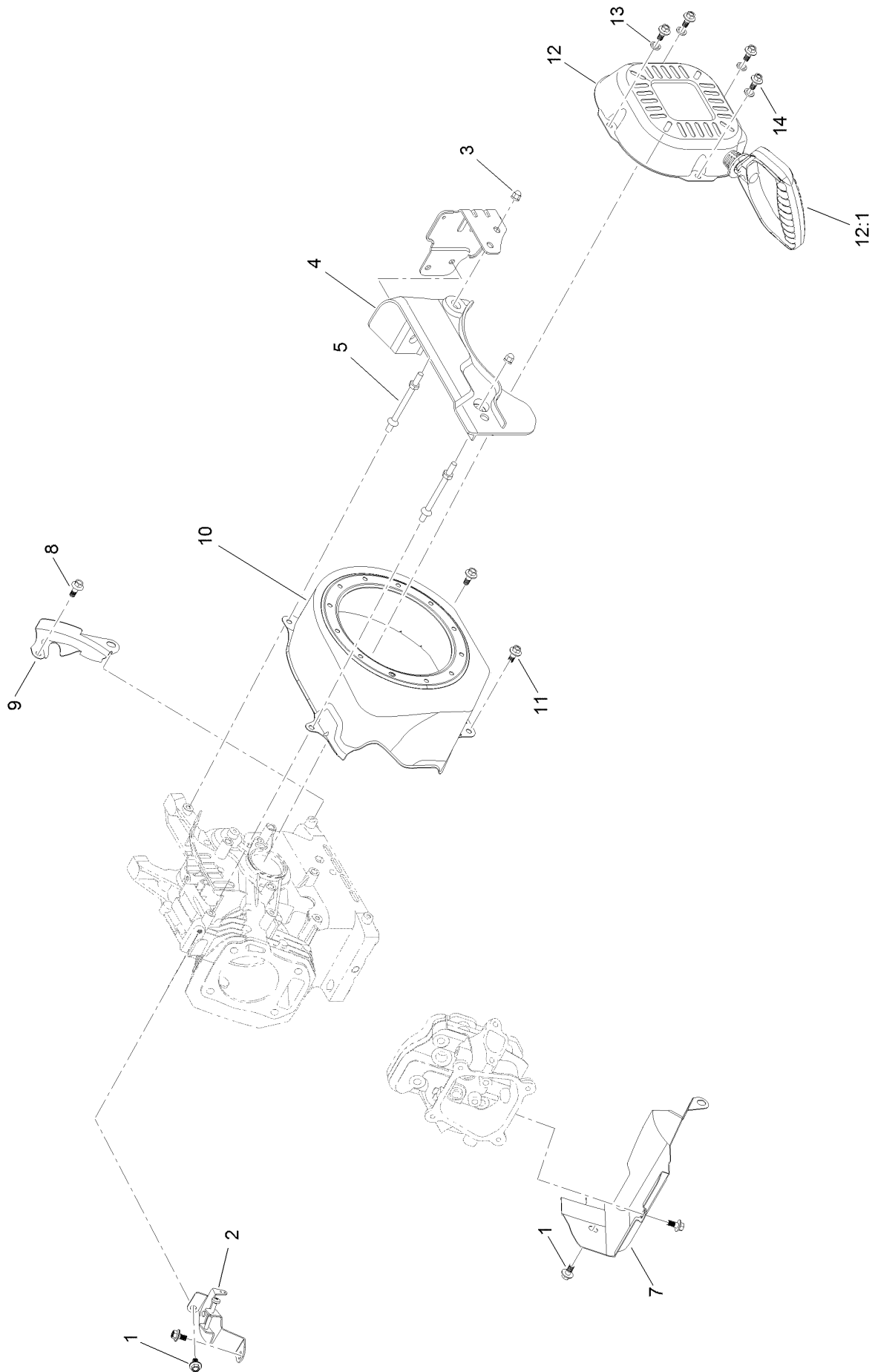




## Piston and Head Assembly (continued)

<i>Ref.</i>	<i>Part Number</i>	<i>Qty.</i>	<i>Description</i>	<i>Ref.</i>	<i>Part Number</i>	<i>Qty.</i>	<i>Description</i>
1	120-4454	4	Screw-HHF	14	127-9015	2	Tappet-Valve
2	127-9094	1	Cover-Valve	15	121-4116	2	Rotator-Valve
3	127-9408	1	Clamp-Hose	16	121-4117	2	Retainer-Spring, Valve
4	127-9095	1	Tube-Breather	17	127-9014	2	Spring-Valve
5	121-0109	1	Gasket-Cover, Valve	18	121-4202	1	Seal-Stem, Valve
6	121-4110	4	Screw-HHF	19	127-9016	1	Valve Set
7	81-3250	1	Spark Plug	20	121-4295	1	Ring Set, Piston
8	127-9013	1	Head-Cylinder	21	121-4293	1	Piston
9	127-9000	1	Gasket-Head, Cylinder	22	121-0313	2	Clip-Pin, Piston
10	121-0053	2	Pin-Dowel	23	121-4128	1	Pin-Piston
11	120-4475	2	Rocker Arm ASM	24	127-9017	1	Connecting Rod ASM
12	121-4120	1	Plate-Guide, Push Rod	25	133-9839	1	Complete Head ASM
13	121-4121	2	Rod-Push				

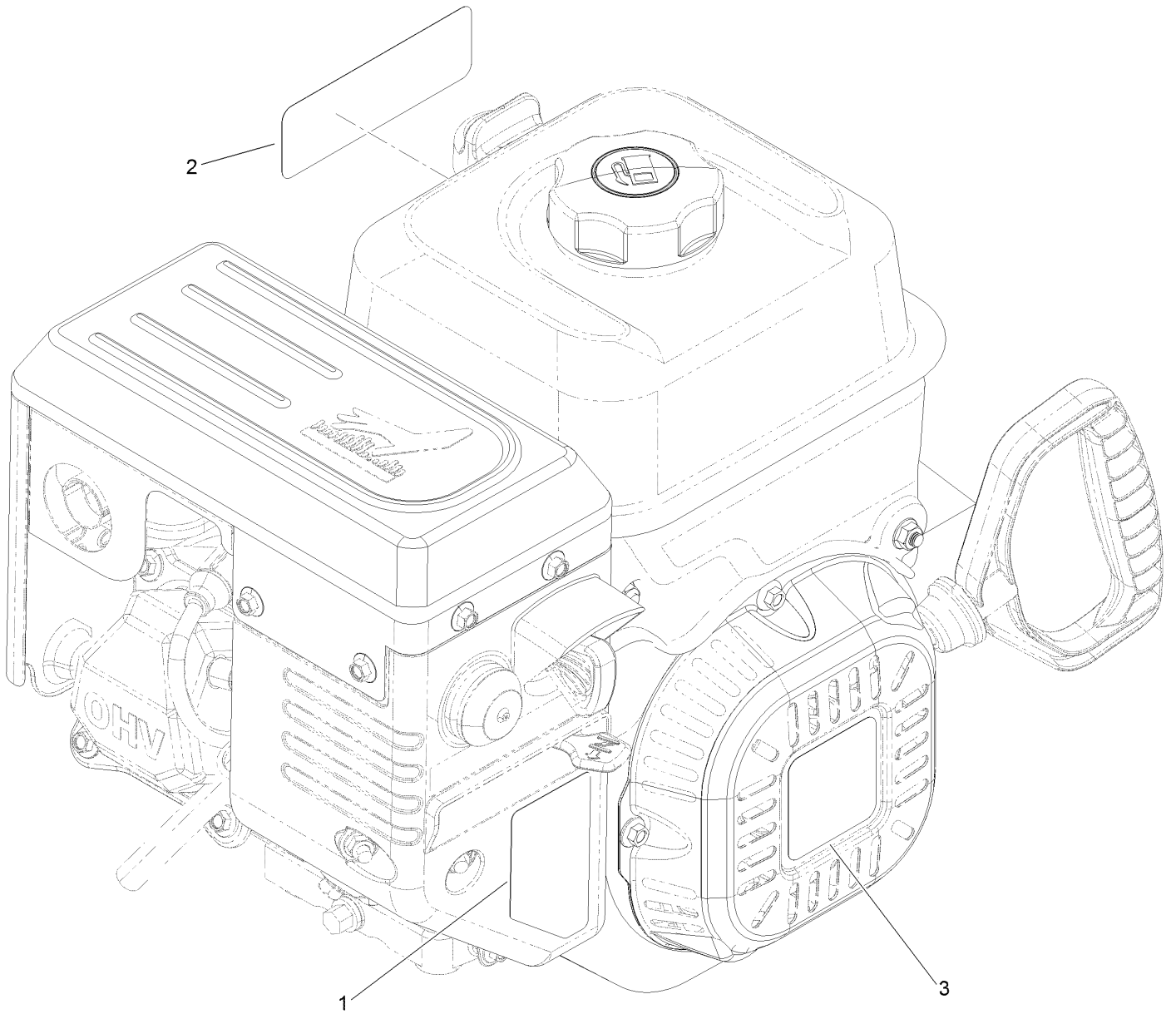
# Blower Housing and Shrouds Assembly



## Blower Housing and Shrouds Assembly (continued)

<i>Ref.</i>	<i>Part Number</i>	<i>Qty.</i>	<i>Description</i>	<i>Ref.</i>	<i>Part Number</i>	<i>Qty.</i>	<i>Description</i>
1	121-0118	4	Screw-HHF	9	127-9121	1	Shield-Flywheel
2	127-9396	1	Speed Control ASM	10	127-9401	1	Shroud-Blower
3	127-9383	2	Nut-Acorn	11	121-0294	2	Screw-HHF
4	127-9406	1	Panel-Front	12	127-9402	1	Recoil Starter ASM
5	127-9110	2	Stud-Mount	12:1	121-0287	1	Handle-Recoil
7	127-9096	1	Shroud-Lower	13	127-9380	4	Washer-Plain
8	120-4454	1	Screw-HHF	14	127-9031	4	Screw-HHF

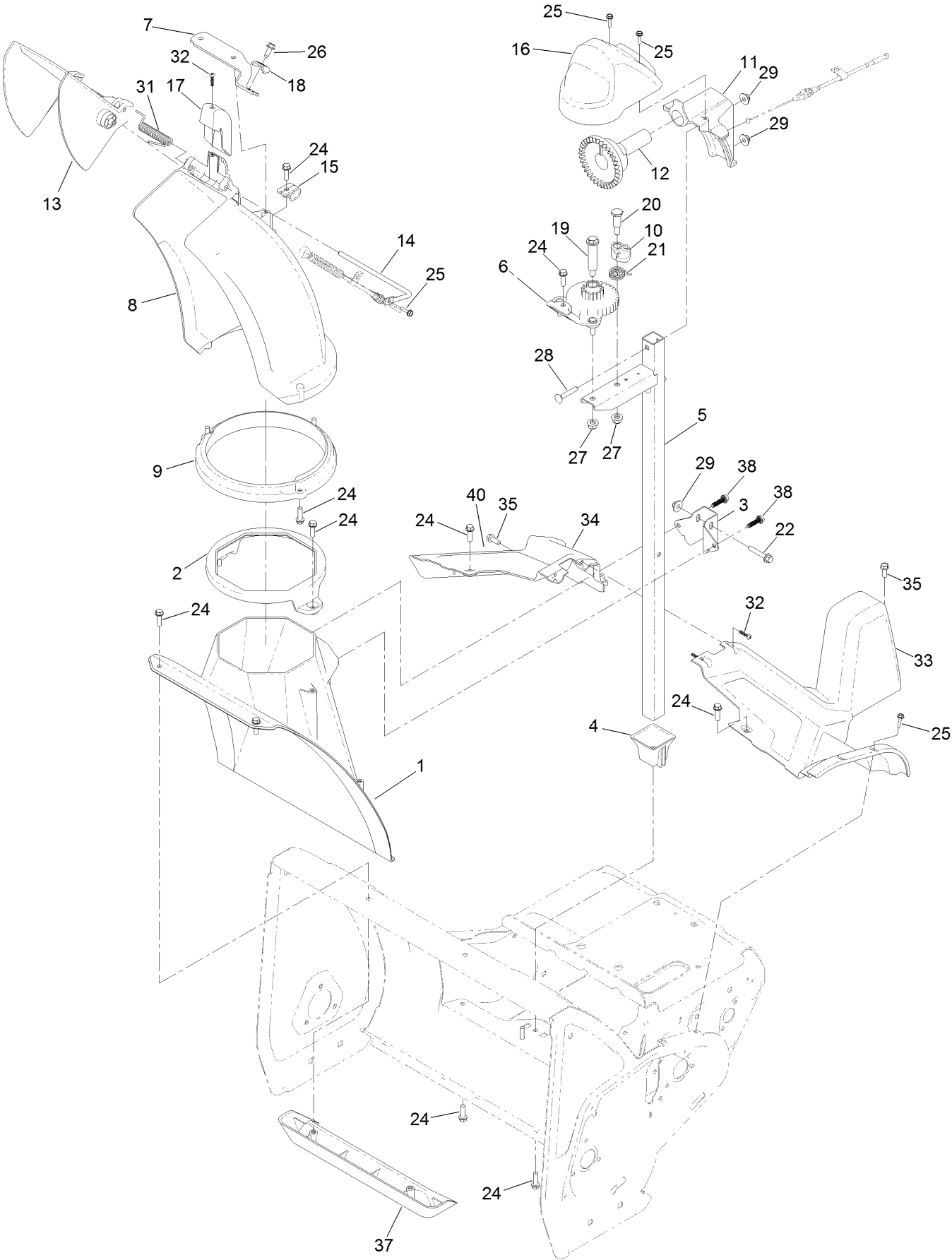
# Engine Decal Assembly



## Engine Decal Assembly (continued)

<i>Ref.</i>	<i>Part Number</i>	<i>Qty.</i>	<i>Description</i>
1	120-9805	1	Decal-Control, Engine
2	120-9806	1	Decal-Engine, Series G210
3	120-9809	1	Decal-Recoil, G210

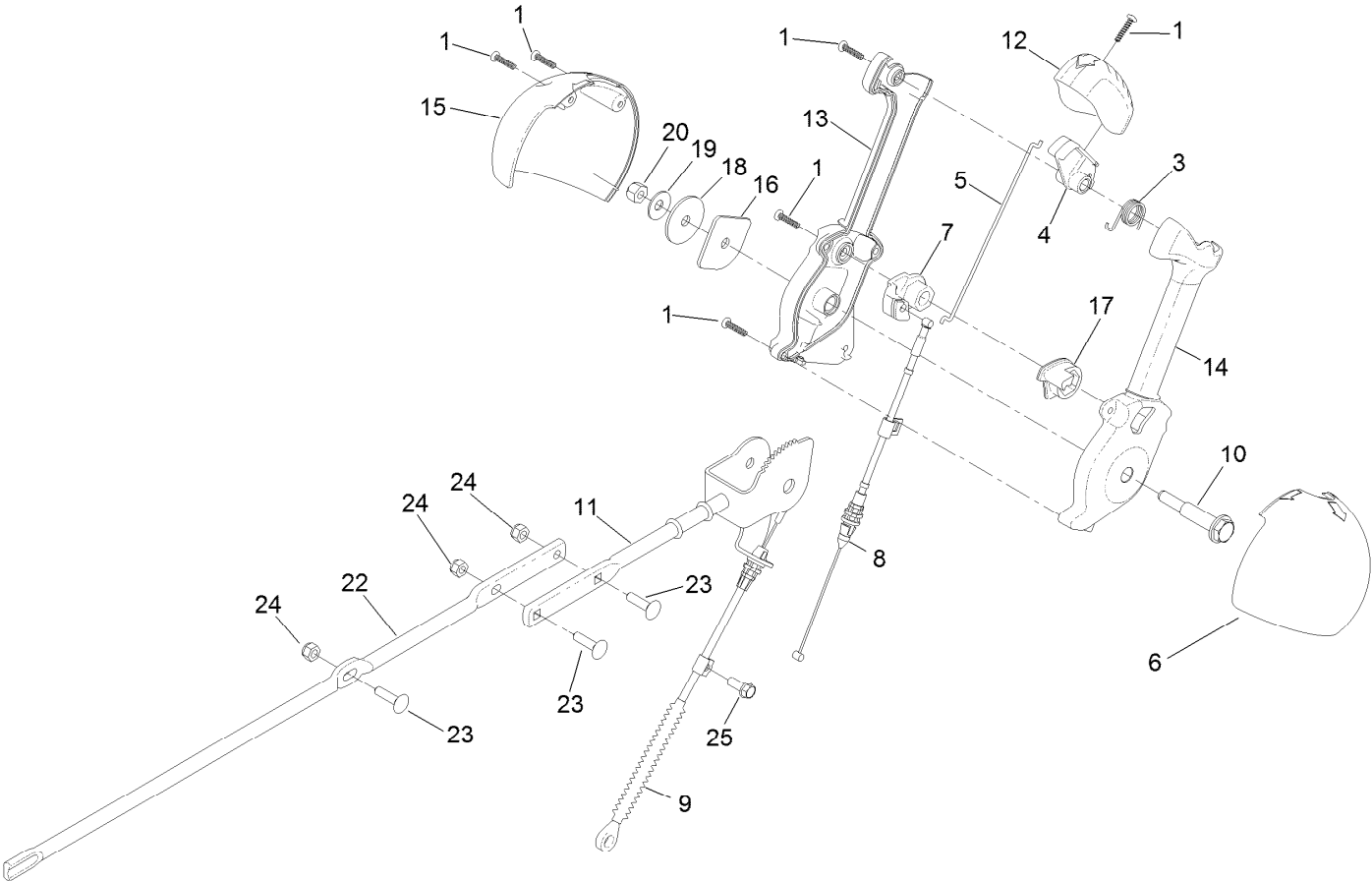
# Chute Assembly



## Chute Assembly (continued)

<i>Ref.</i>	<i>Part Number</i>	<i>Qty.</i>	<i>Description</i>	<i>Ref.</i>	<i>Part Number</i>	<i>Qty.</i>	<i>Description</i>
1	130-9587	1	Chute-Lower	19	136-7199	1	Bolt-Shoulder
2	130-9588	1	Guide-Chute	20	137-3103	1	Screw-Shoulder, HH
3	130-9589-03	1	Bracket-Post, Support (Chute)	21	130-9616	1	Spring-Torsion, Latch (Chute)
4	130-9590	1	Retainer- Post, Chute	22	137-3027	1	Screw-HHF
5	130-9603-03	1	Post-Chute	24	137-3099	17	Screw-Plastite, HWH
6	130-9605	1	Gear-Chute	25	137-3110	5	Screw-Plastite, HWH
7	136-7170	1	Bracket-Cable	26	137-3043	1	Screw-HWH
8	133-5591	1	Chute-Discharge	27	119-4041	2	Nut-HF
9	130-9596	1	Ring-Chute	28	137-3011	2	Bolt-CARR
10	130-9607	1	Latch-Chute	29	137-3016	3	Nut-HF
11	130-9608	1	Mount-Gear, Chute	31	136-7143	1	Spring-Torsion
12	106-4471	1	Gear-Face	32	94-4496	3	Screw-PPH
13	131-5915	1	Deflector-Chute	33	131-1754	1	Shroud-Upper, LH
14	136-7145	1	Rod-Deflector	34	131-1765	1	Shroud-Lower, RH
15	130-9609	1	Guide-Cable	35	32144-85	2	Screw-HWH
16	130-9611	1	Cover-Gear, Chute	37	131-1768	1	Kicker-Housing
17	120-9299	1	Chute-Cover	38	130-6658	2	Screw-Flange, Plastic
18	136-7191	1	Clamp-Cable	40	133-5592	1	Decal

# Lever Chute Control Assembly

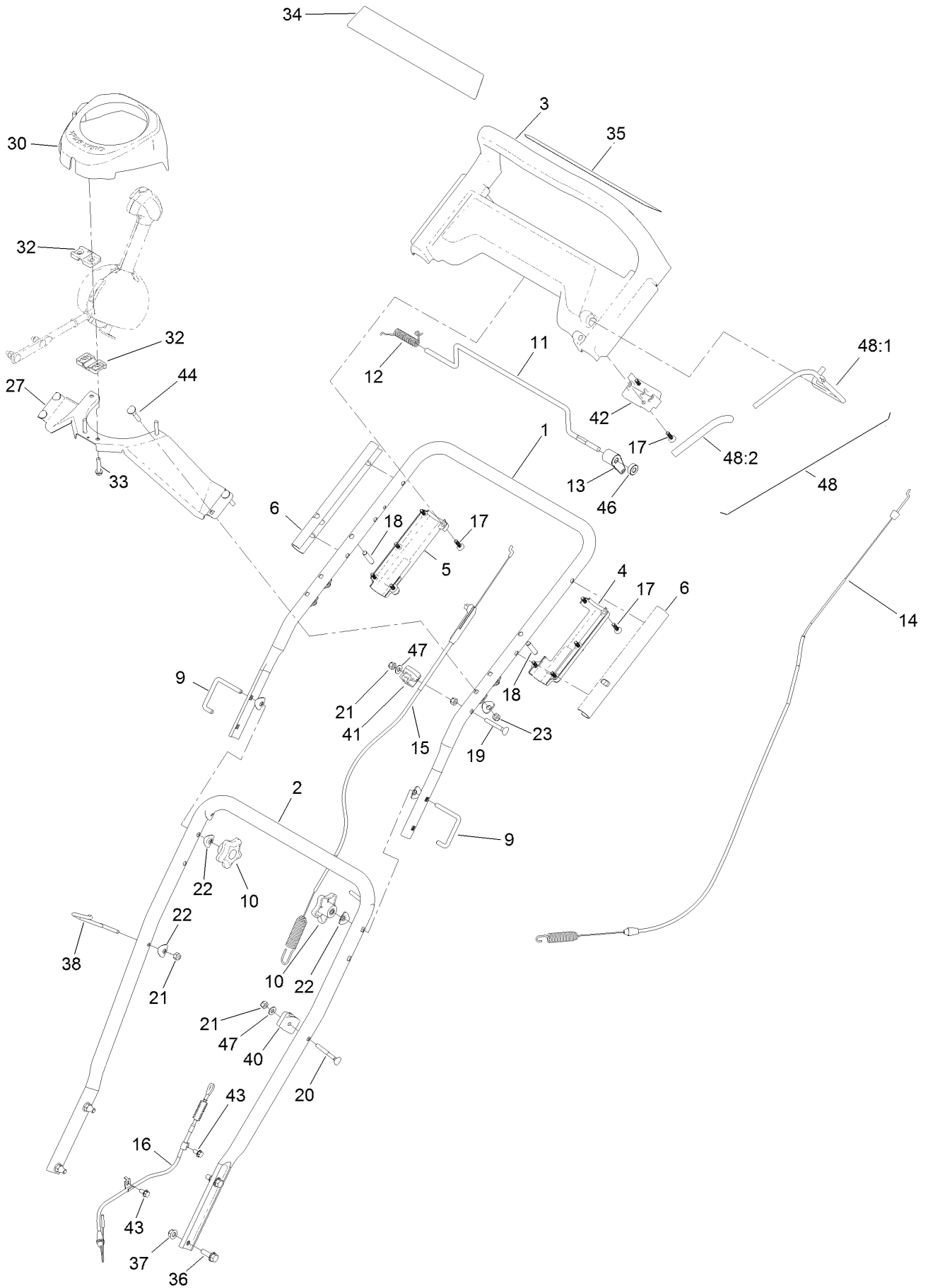




## Lever Chute Control Assembly (continued)

<i>Ref.</i>	<i>Part Number</i>	<i>Qty.</i>	<i>Description</i>	<i>Ref.</i>	<i>Part Number</i>	<i>Qty.</i>	<i>Description</i>
1	94-4496	6	Screw-PPH	14	106-7282	1	Lever-Control, Chute (LH)
3	105-9982	1	Spring-Torsion	15	106-7292	1	Cover-Lever, Chute (RH)
4	105-9984	1	Trigger-Latch	16	136-7129	1	Plate-Friction
5	136-7127	1	Link-Latch	17	106-7310	1	Pawl-Latch
6	105-9986	1	Cover-Lever, Chute (LH)	18	107-3002	1	Washer-Nylon
7	105-9988	1	Lever-Cable, Deflector	19	3290-456	1	Washer-Belleville
8	130-9614	1	Cable-Release, Chute	20	119-4038	1	Nut-Hex
9	130-9613	1	Cable-Control, Deflector	22	120-2348	1	Rod-Chute
10	136-7190	1	Screw-Shoulder	23	137-3056	3	Bolt-CARR
11	136-7128	1	Chute Control Rod	24	137-3094	3	Nut-Hex
12	106-7280	1	Cap-Lever	25	32144-85	1	Screw-HWH
13	106-7281	1	Lever-Control, Chute (RH)				

# Handle and Control Assembly



## Handle and Control Assembly (continued)

<i>Ref.</i>	<i>Part Number</i>	<i>Qty.</i>	<i>Description</i>	<i>Ref.</i>	<i>Part Number</i>	<i>Qty.</i>	<i>Description</i>
1	120-2333-03	1	Handle-Upper	23	137-3094	4	Nut-Hex
2	120-2334-03	1	Handle-Lower	27	120-2342-03	1	Bracket-Chute, Control
3	131-5921	1	Handle	30	131-5906	1	Cover Top
4	120-2336	1	Handle-Bottom, LH	32	105-9987	2	Support-Rod
5	131-1770	1	Handle-Bottom, RH	33	137-3100	4	Screw-Plastite, HWH
6	120-2343	2	Sleeve Handle	34	131-5938	1	Decal-Display
9	136-7130	2	Lock-Handle	35	131-1785	1	Decal-Control, Panel
10	106-4161	2	Knob-Handle	36	137-3067	4	Screw-HHF
11	136-7150	1	Bar-Traction Control	37	119-4041	4	Nut-HF
12	136-7166	1	Spring-Torsion	38	136-7147	1	Guide-Rope
13	131-5917	1	Lever-Traction	40	92-7729	1	Anchor-Cable, Upper
14	131-5924	1	Cable-Transmission	41	131-5903	1	Cable-Guide
15	120-2338	1	Cable-Rotor, Upper	42	131-5901	1	Bail-Mount
16	131-1753	1	Cable-Rotor, Lower	43	32144-4	2	Screw-HWH
17	120-2349	12	Screw	44	117-7737	4	Screw-Handle
18	131-1771	2	Pin-Dowel	46	130-2343	1	Spacer
19	137-3109	1	Bolt-CARR	47	137-3072	2	Washer-Plain
20	137-3108	1	Screw-Handle	48	131-5943	1	Bail ASM
21	137-3094	3	Nut-Hex	48:1		1	Bail-Auger ●
22	137-3009	7	Washer-Cup	48:2	131-5902	1	Cover-Bail

● Not serviced separately

# Attachments and Accessories

## For 38721 SnowMax 724 QXE Snowthrower

<b>Product Name</b>	<b>Model/Part</b>
Case of 24 20-Ounce Bottles 5W30 Winter Oil .....	38908
Rotor Belt.....	131-5967P
Scraper Kit.....	130-9628P
Center Paddle Replacement Kit.....	130-9569P
Toro 2-Stage Cover.....	490-7466
Skid Replacement Kit .....	130-9619P
Toro Snow Oil 0W30 Synthetic 20-Ounce Bottle .....	38913

**Notes:**

**Notes:**

**Notes:**



**Count on it.**