



Bucket Mount Kit

TimeCutter® HD Riding Mower

Model No. 136-7494

Installation Instructions

⚠ WARNING

CALIFORNIA Proposition 65 Warning

This product contains a chemical or chemicals known to the State of California to cause cancer, birth defects, or reproductive harm.

Installation

Preparing the Machine

1. Park the machine on a level surface.
2. Disengage the blade-control switch.
3. Engage the parking brake.
4. Move the motion-control levers outward to the NEUTRAL-LOCK position.
5. Shut off the engine and remove the key.



Installing the Bucket Mount Kit

1. Secure the bracket to the engine guard using 2 flange-head bolts (5/16 x 3/4 inch) and 2 flange nuts (5/16 inch) as shown in [Figure 1](#).

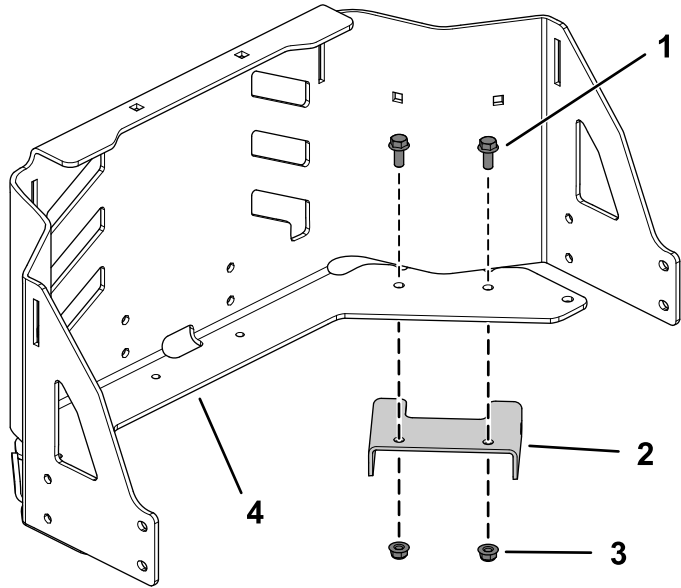


Figure 1

g212124

- | | |
|---------------------------------------|---------------------------|
| 1. Flange-head bolt (5/16 x 3/4 inch) | 3. Flange nut (5/16 inch) |
| 2. Bracket | 4. Engine guard |

2. Secure the plate to the bracket using the locking pin ([Figure 2](#)).

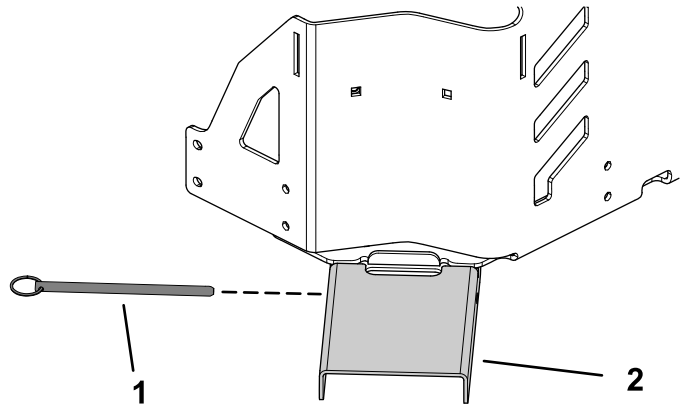
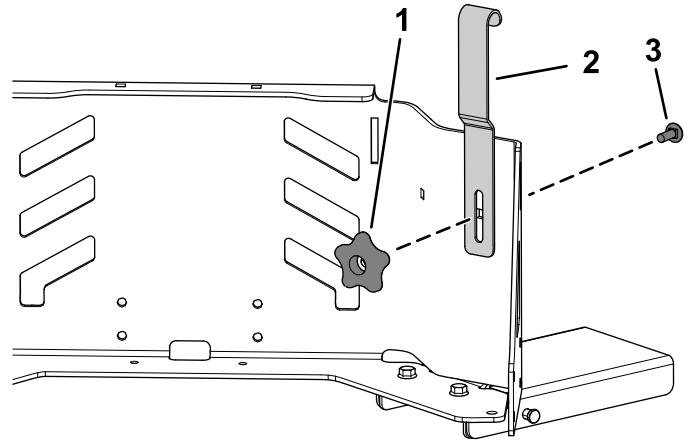


Figure 2

g212122

- | | |
|----------------|----------|
| 1. Locking pin | 2. Plate |
|----------------|----------|

3. Secure the bucket retainer to the engine guard using the carriage bolt (5/16 x 7/8 inch) and handle knob ([Figure 3](#)).



g209905

Figure 3

- | | |
|--------------------|------------------------------------|
| 1. Handle knob | 3. Carriage bolt (5/16 x 7/8 inch) |
| 2. Bucket retainer | |