



Count on it.

Parts Catalog

52in Blower and Drive Kit

**E-Z Vac™ HD Bagger for TITAN® HD 1500 or
2000 Series Riding Mower**

Model No. 78434—Serial No. 40000000 and Up



Ordering Replacement Parts

To order replacement parts, please supply the part number, the quantity, and the description of each part desired.

Understanding Reference Numbers

Each identified part in an illustration has a reference number. The reference number for a part also appears in the parts list, along with other information about the part.

This catalog uses two special reference number formats, one to indicate parts in a service assembly and another to indicate the quantity of a given part in an illustration.

Service Assembly Reference Numbers

Parts in service assemblies have reference numbers in the form a:b. The a represents the reference number of the entire service assembly and the b represents a sequential number unique to each part within the service assembly.

For example, a wheel assembly might be identified by reference number 6, the tire by 6:1, the valve by 6:2, and the wheel by 6:3. When you order the assembly identified by reference number 6, you receive all parts identified by reference numbers 6:1, 6:2, and 6:3. However, you may also order any part individually. Reference numbers of this type appear in illustration and in parts lists.

Reference Numbers Indicating Quantity

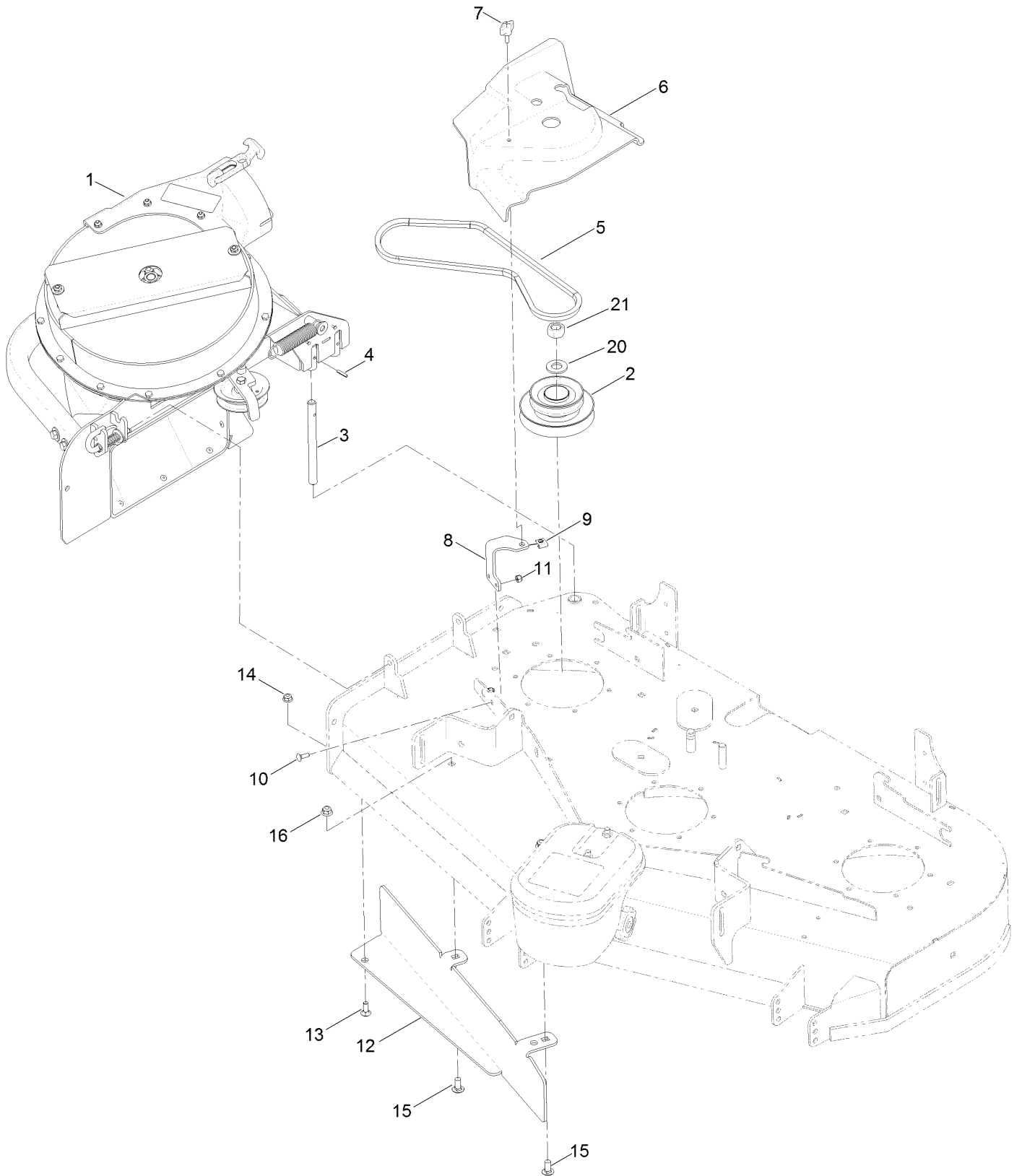
In an illustration, if a reference number indicates more than one part, the reference number has the form nX y. The n represents the quantity of the part, the X is the multiplication symbol, and the y represents the reference number.

For example, in an illustration, the reference number 2X 37 means that two of the parts identified by reference number 37 are indicated.

Contents

Blower and Drive Assembly 4
Blower Assembly No. 126-7697 6

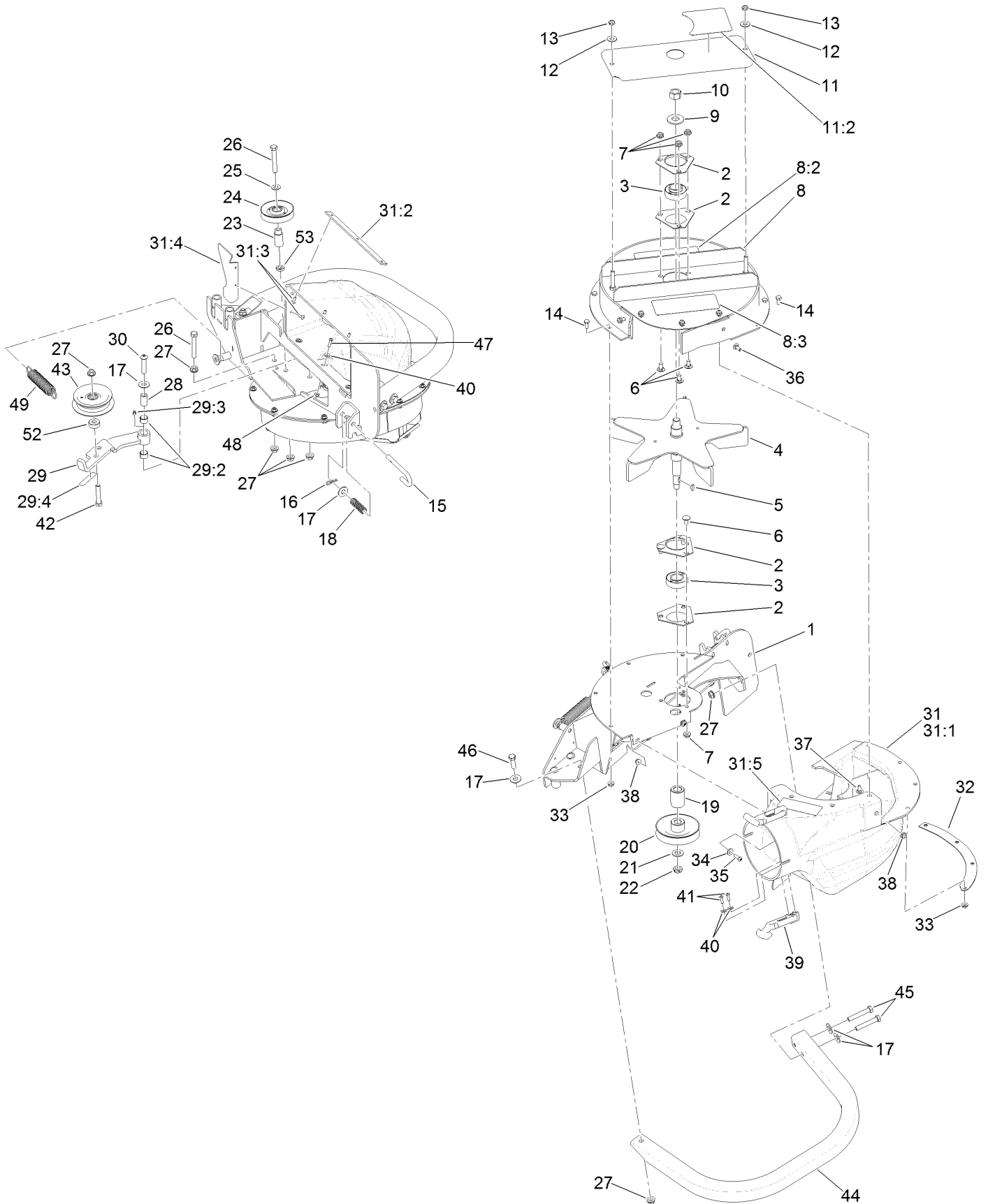
Blower and Drive Assembly



Blower and Drive Assembly (continued)

<i>Ref.</i>	<i>Part Number</i>	<i>Qty.</i>	<i>Description</i>	<i>Ref.</i>	<i>Part Number</i>	<i>Qty.</i>	<i>Description</i>
1	126-7697	1	Blower ASM	10	3229-1	2	Bolt-CARR
2	126-7716	1	Drive-Jackshaft	11	3296-42	2	Nut-Lock, NI
3	1-353050	1	Shaft-Catcher, Grass	12	120-3250-01	1	Baffle-Bagger
4	1-806323	1	Pin-Roll	13	3230-16	1	Screw-CARR
5	112-2343	1	Belt-V	14	104-8300	1	Nut-HF, NI
6	126-9163	1	Belt-Cover	15	3231-27	2	Screw-CARR
7	98-8332	1	Knob	16	104-8301	2	Nut-HF, NI
8	115-3637-01	1	Bracket-Cover, Belt	20	103-2802	1	Washer
9	609900	1	Nut-Speed	21	116-7306	1	Nut-Hex

Blower Assembly No. 126-7697



Blower Assembly No. 126-7697 (continued)

<i>Ref.</i>	<i>Part Number</i>	<i>Qty.</i>	<i>Description</i>	<i>Ref.</i>	<i>Part Number</i>	<i>Qty.</i>	<i>Description</i>
1	126-7613-03	1	Mount-Blower	29	117-0345	1	Idler Arm ASM W/Bushings
2	1-513013	4	Housing-Flange	29:2	1-653600	2	Bushing
3	1-653346	2	Bearing	29:3	302-19	1	Fitting-Grease
4	103-3815	1	Impeller	29:4	126-4659	1	Decal-Warning
5	3257-32	1	Key-Woodruff	30	3274-107	1	Screw-HSBH
6	3230-18	6	Screw-CARR	31	116-6487	1	Blower Chute ASM
7	32128-20	6	Nut-HF	31:1	116-4991	1	Chute-Blower, Small
8	126-9450	1	Upper-Housing W/Decals	31:2	103-4752-03	1	Plate-Reinforcing
8:2	126-9451	1	Decal-Warning	31:3	114439	5	Rivet-Pop
8:3	135-0410	1	Decal-E-Z Vac	31:4	116-6486-03	1	Plate-Filler
9	1-513208	1	Washer-Spring	31:5	126-4853	1	Decal-Warning
10	3219-6	1	Nut-Hex	32	1-653596-03	1	Plate-Backing, Blower
11	126-9785	1	Cover-Bearing W/Decal	33	32128-33	8	Nut-HF
11:2	126-9595	1	Decal-Warning	34	3256-22	2	Washer-Flat
12	3256-3	2	Washer-Flat	35	3274-69	2	Screw-HSBH
13	3296-47	2	Nut-Lock, NI	36	3229-1	2	Bolt-CARR
14	321-3	8	Screw-HH	37	3229-11	3	Screw-CARR
15	116-4356	1	Pin-Latch	38	104-7201	7	Nut-HF
16	3290-307	1	Pin-Cotter	39	103-4080	2	Latch-Rubber
17	3256-4	5	Washer-Flat	40	3256-16	7	Washer-Flat
18	121-3249	1	Spring-Compression	41	3274-39	4	Screw-HSBH
19	1-653365	1	Spacer	42	323-10	1	Screw-HH
20	112-2345	1	Pulley	43	103-1103	1	Idler-Flat
21	3256-26	1	Washer-Flat	44	109-1122-01	1	Bumper
22	3296-28	1	Nut-Lock, NI	45	323-11	2	Screw-HH
23	1-653366	1	Hub	46	323-7	1	Screw-HH
24	1-653322	1	Idler-Inside	47	104-2408	3	Screw-HSBH
25	3256-24	1	Washer-Flat	48	3296-2	3	Nut-Lock, NI
26	323-12	2	Screw-HH	49	1-603693	1	Spring-Extension
27	3290-357	8	Nut-HHF, Whiz	52	135-0456	1	Spacer
28	103-0130	1	Bushing-Pivot, Idler	53	135-0457	1	Spacer



Count on it.