



**Count on it.**

**Parts Catalog**

**Z Master<sup>®</sup> Commercial 3000  
Series Riding Mower**

**with 60in TURBO FORCE<sup>®</sup> Side Discharge  
Mower**

**Model No. 75936—Serial No. 40000000 and Up**



# Ordering Replacement Parts

To order replacement parts, please supply the part number, the quantity, and the description of each part desired.

## Understanding Reference Numbers

Each identified part in an illustration has a reference number. The reference number for a part also appears in the parts list, along with other information about the part.

This catalog uses two special reference number formats, one to indicate parts in a service assembly and another to indicate the quantity of a given part in an illustration.

## Service Assembly Reference Numbers

Parts in service assemblies have reference numbers in the form a:b. The a represents the reference number of the entire service assembly and the b represents a sequential number unique to each part within the service assembly.

For example, a wheel assembly might be identified by reference number 6, the tire by 6:1, the valve by 6:2, and the wheel by 6:3. When you order the assembly identified by reference number 6, you receive all parts identified by reference numbers 6:1, 6:2, and 6:3. However, you may also order any part individually. Reference numbers of this type appear in illustration and in parts lists.

## Reference Numbers Indicating Quantity

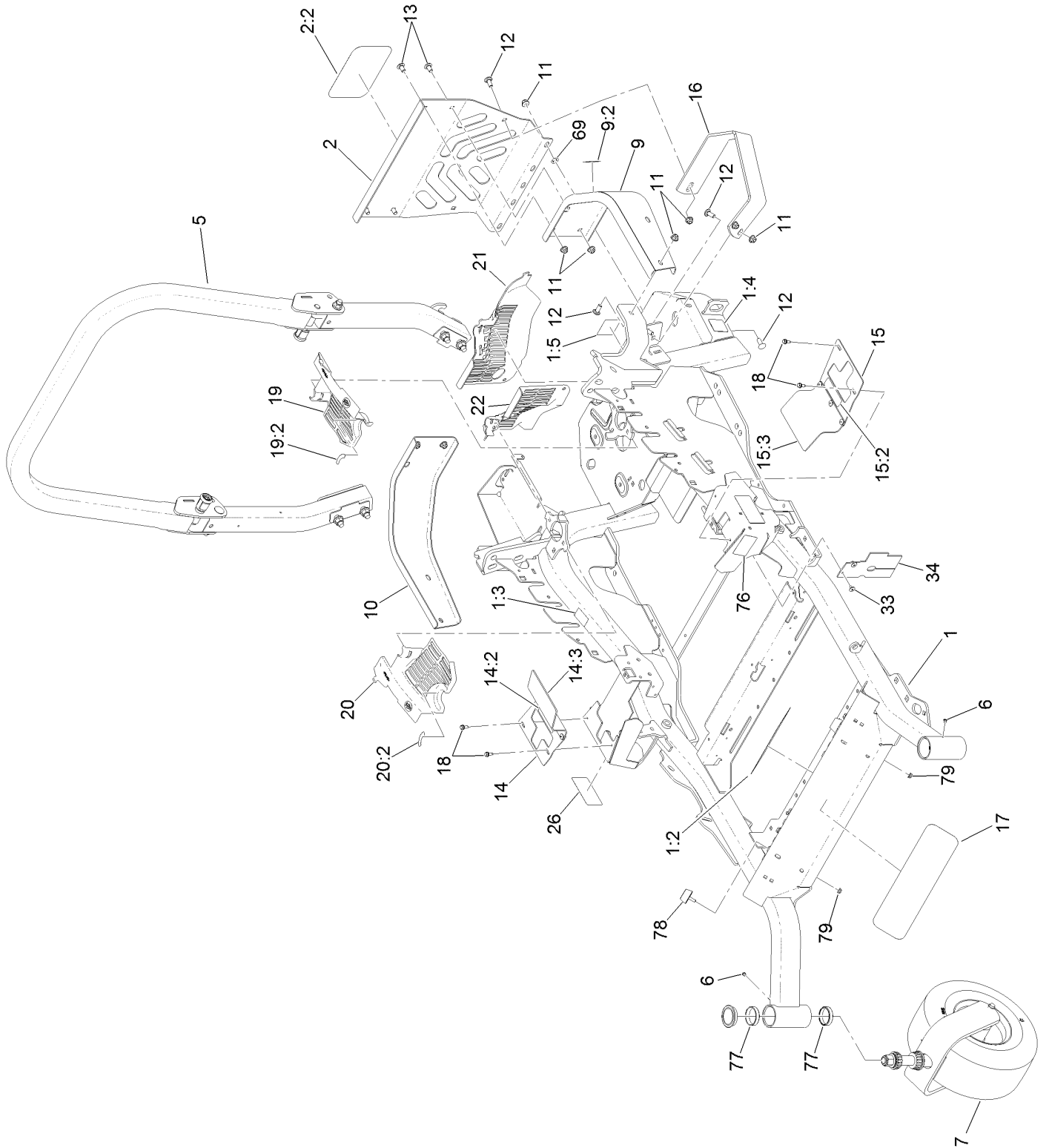
In an illustration, if a reference number indicates more than one part, the reference number has the form nX y. The n represents the quantity of the part, the X is the multiplication symbol, and the y represents the reference number.

For example, in an illustration, the reference number 2X 37 means that two of the parts identified by reference number 37 are indicated.

# Contents

Frame, Roll-Over Protection System and Caster Wheel Assembly .....	4
Roll-Over Protection System Assembly No. 116-0231 .....	6
Caster Wheel and Fork Assembly .....	8
Hydraulic Pump, Idler and Belt Assembly .....	10
Pump Idler Assembly No. 116-1255 .....	12
LH Hydro Assembly No. 126-1323 .....	14
RH Hydro Assembly No. 126-1324 .....	16
Rear Wheel and Parking Brake Assembly .....	18
Fuel System Assembly .....	20
Fuel Tank Assembly No. 135-0645 .....	22
Seat Mount Assembly .....	24
Motion Control Assembly .....	26
Console and Control Panel Assembly .....	28
Electrical System Assembly .....	30
Deck Lift Assembly .....	32
Height-of-Cut Assembly No. 109-7438 .....	34
Engine, Muffler and Clutch Assembly .....	36
Deck Assembly .....	38
Deck Decal Assembly No. 114-5815 .....	40
Idler Arm Assembly .....	42
Spindle Assembly No. 127-0560 .....	44
Rubber Deflector Assembly No. 108-2792 .....	46
Suspension Platform Assembly .....	48
Seat Assembly No. 116-0035 .....	50
Suspension Platform Rubber Mat Assembly .....	52
Attachments and Accessories .....	54

# Frame, Roll-Over Protection System and Caster Wheel Assembly

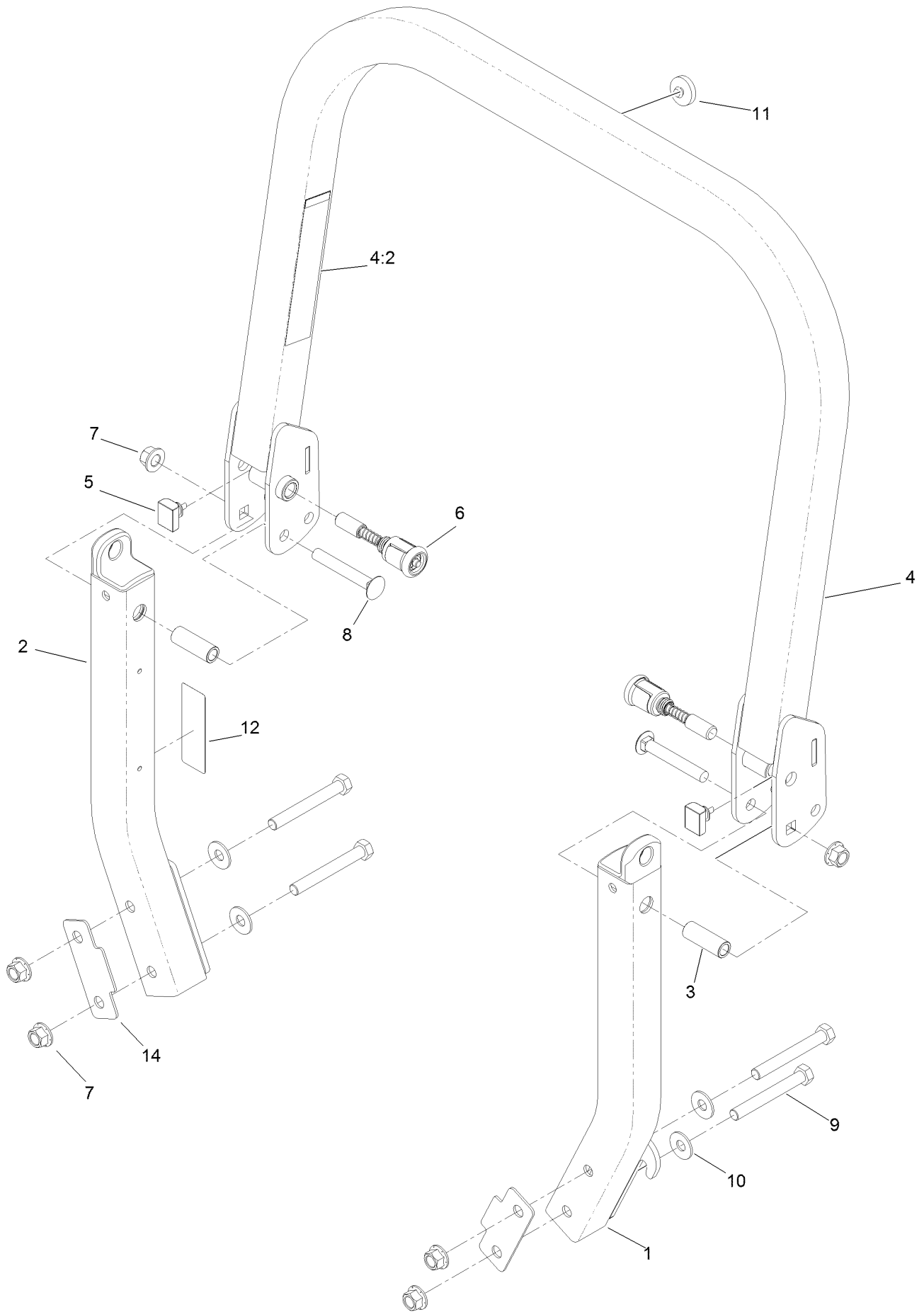


## Frame, Roll-Over Protection System and Caster Wheel Assembly (continued)

<i>Ref.</i>	<i>Part Number</i>	<i>Qty.</i>	<i>Description</i>	<i>Ref.</i>	<i>Part Number</i>	<i>Qty.</i>	<i>Description</i>
1	116-5902	1	Mainframe ASM	15	131-4610	1	LH Motion Control Cover ASM
1:2	132-0871	1	Decal-Danger				
1:3	106-5517	2	Decal-Warning	15:2	99-8936	1	Decal-Control, Motion
1:4	106-2655	2	Decal-Hazard, Pinched Finger	15:3	131-4605	1	Flap-Rubber
1:5	116-4858	1	Decal-Spark Arrester	16	126-2067-03	1	Guard-Muffler
2	115-7410	1	Rear Guard ASM	17	136-5520	1	Decal
2:2	67-7320	1	Decal	18	32144-10	4	Screw-HWH
5	116-0231	1	ROPS ASM	19	116-0170	1	LH Hydro Guard ASM
6	1-811010	2	Plug	19:2	116-8726	1	Decal-Oil, Hydro
7		2	Caster Wheel ASM ●	20	116-0171	1	RH Hydro Guard ASM
9	116-0180	1	LH Bumper ASM	20:2	116-8726	1	Decal-Oil, Hydro
9:2	106-5517	1	Decal-Warning	21	109-9057	1	Guard-Hydro, Rear (LH)
10	116-0057-03	1	Bumper-RH	22	109-9058	1	Guard-Hydro, Rear (RH)
11	104-8301	11	Nut-HF, NI	26	120-5892	2	Decal
12	3231-22	7	Screw-CARR	33	1-803035	2	Rivet-Pop
13	3231-21	4	Screw-CARR	34	116-2362	1	Deflector-Air Flow
14	131-4615	1	RH Motion Control Cover ASM	69	107-3154	2	Nut-Push
14:2	99-8936	1	Decal-Control, Motion	76	117-3864	1	Decal-Fuel Fill, CE
14:3	131-4605	1	Flap-Rubber	77	1-543508	4	Cup-Bearing
				78	131-8834	2	Bumper
				79	104-7201	2	Nut-HF

● Not serviced separately

# Roll-Over Protection System Assembly No. 116-0231

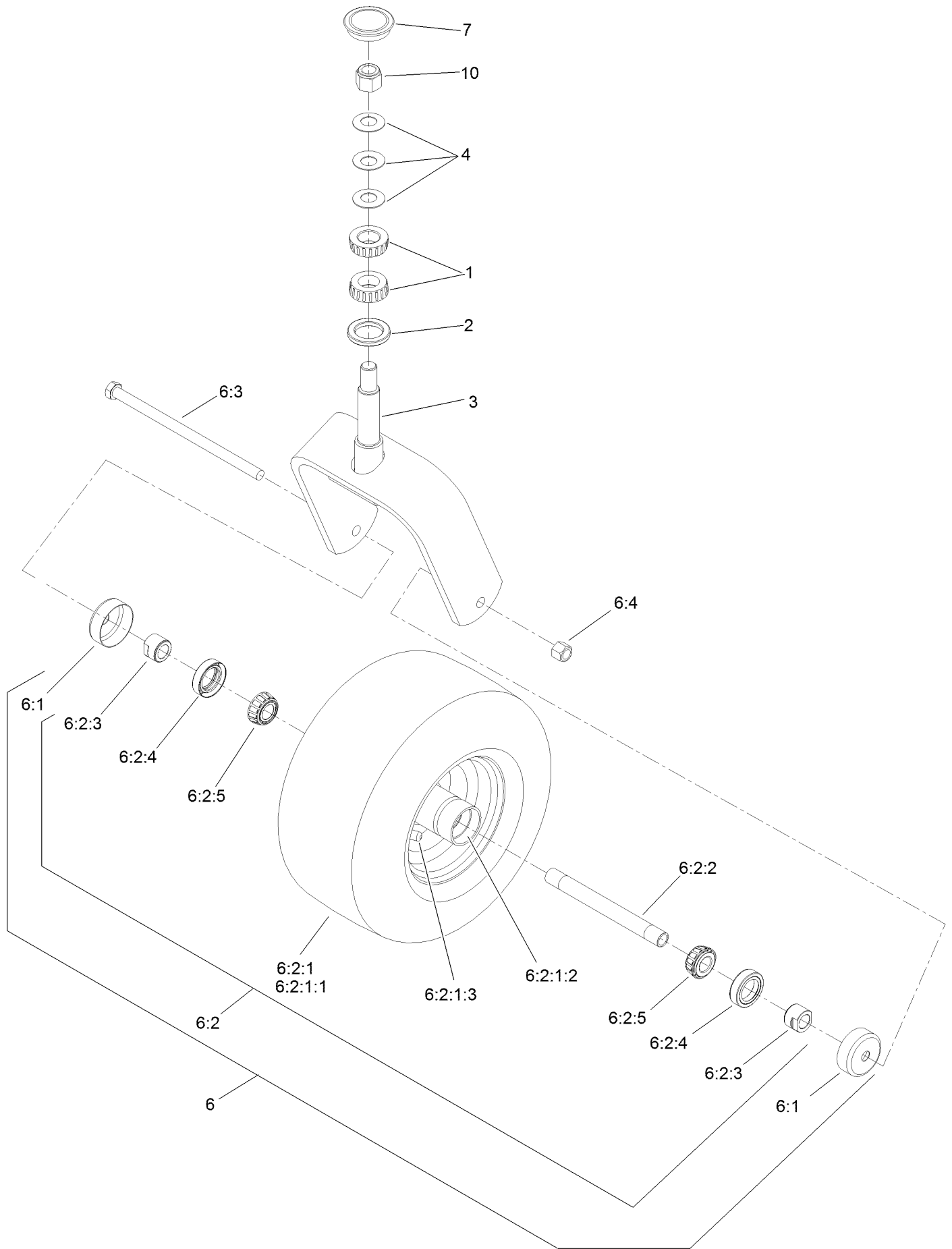


# Roll-Over Protection System Assembly No. 116-0231 (continued)

<i>Ref.</i>	<i>Part Number</i>	<i>Qty.</i>	<i>Description</i>	<i>Ref.</i>	<i>Part Number</i>	<i>Qty.</i>	<i>Description</i>
1		1	Leg-ROPS, LH ●	7	99-5107	6	Nut-Lock
2		1	Leg-ROPS, RH ●	8	3233-10	2	Screw-CARR
3	109-6653	2	Spacer	9	325-35	4	Screw-HH
4		1	Upper ROPS ASM ●	10	109-9505	4	Washer-Spring
4:2	107-3069	1	Decal-Warning	11	109-9233	1	Bumper-Push-In, Rubber
5	109-5337	2	Bumper-ROPS	12	117-0346	1	Decal-Caution, Fuel Vent
6	116-0104	2	Pin-Spring	14	116-0960	2	Spacer

● Not serviced separately

# Caster Wheel and Fork Assembly



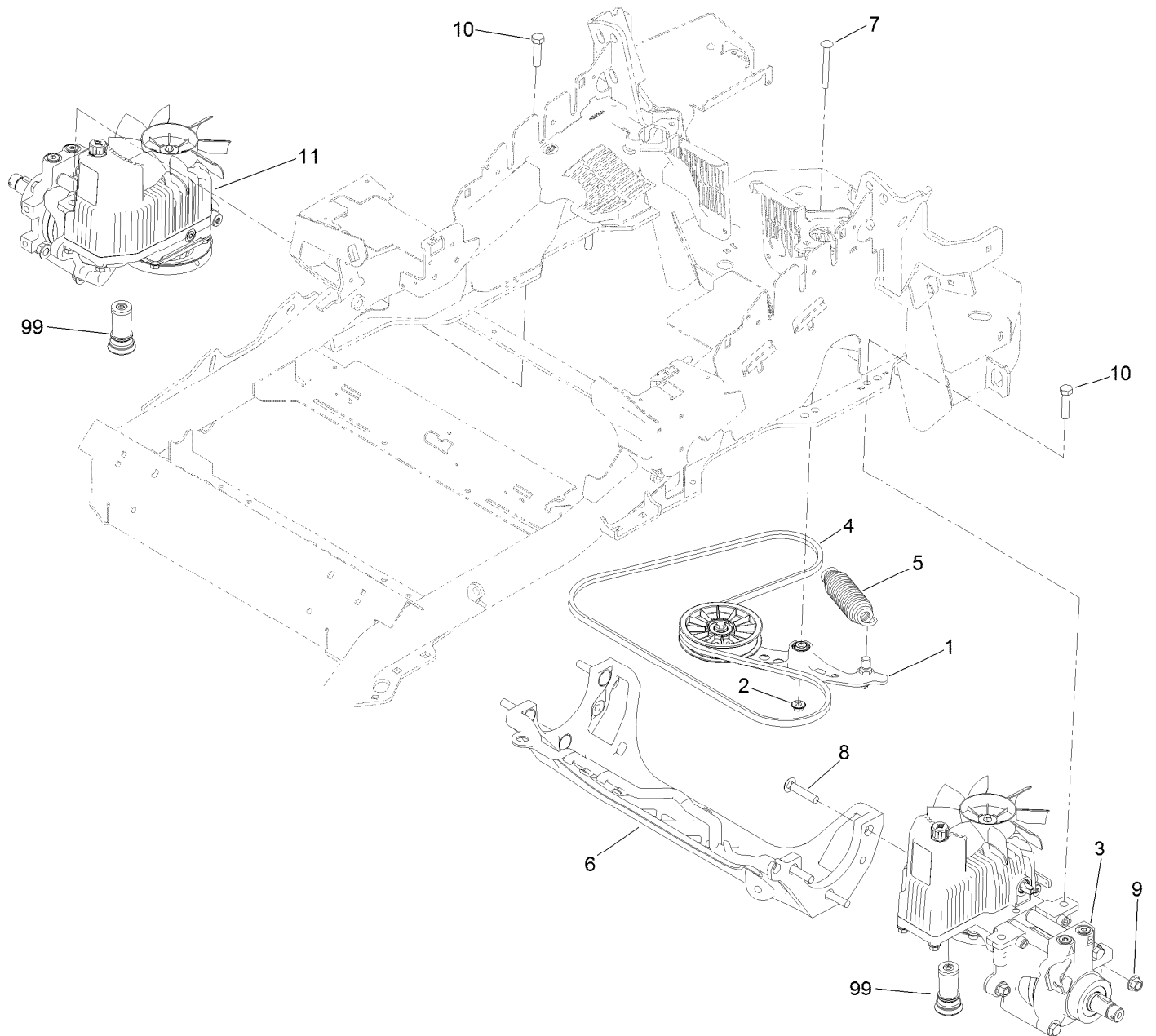


## Caster Wheel and Fork Assembly (continued)

<i>Ref.</i>	<i>Part Number</i>	<i>Qty.</i>	<i>Description</i>	<i>Ref.</i>	<i>Part Number</i>	<i>Qty.</i>	<i>Description</i>
1	1-543509	2	Bearing-Roller, Tapered	6:2:1:3	5108	1	Valve
2	116-5647	1	Seal-Grease	6:2:2	126-5361	1	Axle Caster ASM
3	116-6707-01	1	Caster	6:2:3	103-3051	1	Spacer-Nut
4	1-633508	3	Washer-Bellville	6:2:4	103-0063	2	Seal-Caster
6	127-9540	1	Wheel And Axle ASM	6:2:5	1-633585	2	Bearing-Cone, Taper
6:1	103-2768	2	Guard-Seal	6:3	325-39	1	Screw-HH
6:2		1	Wheel And Bearing ASM ●	6:4	3296-23	1	Nut-Lock, NI
6:2:1		1	Wheel And Tire ASM ●	7	103-4882	1	Cap-Grease
6:2:1:1	1-523009	1	Tire	10	3296-51	1	Nut-Lock, NI
6:2:1:2	1-633584	2	Bearing-Cup				

● Not serviced separately

# Hydraulic Pump, Idler and Belt Assembly



## Hydraulic Pump, Idler and Belt Assembly (continued)

<i>Ref.</i>	<i>Part Number</i>	<i>Qty.</i>	<i>Description</i>	<i>Ref.</i>	<i>Part Number</i>	<i>Qty.</i>	<i>Description</i>
1	116-1255	1	Pump Idler ASM	9	99-5107	6	Nut-Lock
2	109-6658	1	Nut-Flange, NI	10	325-8	4	Screw-HH
3	126-1323	1	LH Hydro ASM (12Cc W/ Shock)	11	126-1324	1	RH Hydro ASM (12Cc W/ Shock)
4	109-3388	1	Belt	99	114-4713	1	Hypr-Oil 500 (Quart) ●
5	116-6317	1	Spring-Extension	99	114-4714	1	Hypr-Oil 500 (Gallon) ●
6	116-7558	1	Cradle-Hydro	99	114-4715	1	Hypr-Oil 500-5 (5 Gallon) ●
7	116-1502	1	Bolt-Shoulder, Carriage	99	117-0390	1	Filter-Hydro
8	126-0095	6	Screw-CARR				

● Not illustrated

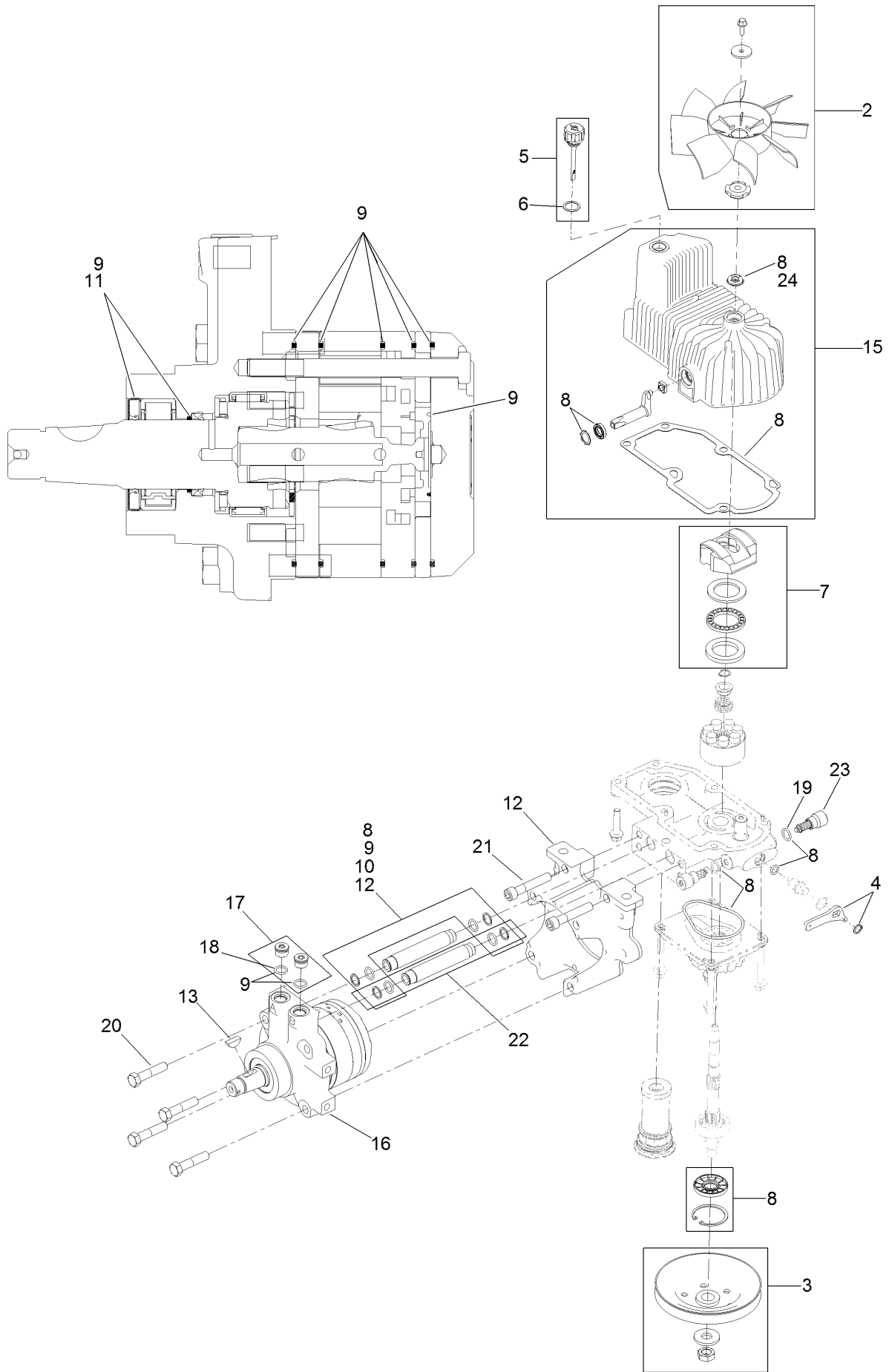
# Pump Idler Assembly No. 116-1255



## Pump Idler Assembly No. 116-1255 (continued)

<i>Ref.</i>	<i>Part Number</i>	<i>Qty.</i>	<i>Description</i>	<i>Ref.</i>	<i>Part Number</i>	<i>Qty.</i>	<i>Description</i>
2	43-0940	1	Spacer	8	323-8	1	Screw-HH
3	103-3504	2	Bearing-Spherical	9	32120-10	2	Ring-Snap
4	103-3505	1	Seal-Double Lip	10	302-19	1	Fitting-Grease
5	103-3506	1	Seal-Lip, Single	11	109-8076	1	Pulley-Idler
6	109-6658	1	Nut-Flange, NI	12	132-4724	1	Pin-Anchor, Spring
7	106-7159	2	O-Ring				

# LH Hydro Assembly No. 126-1323

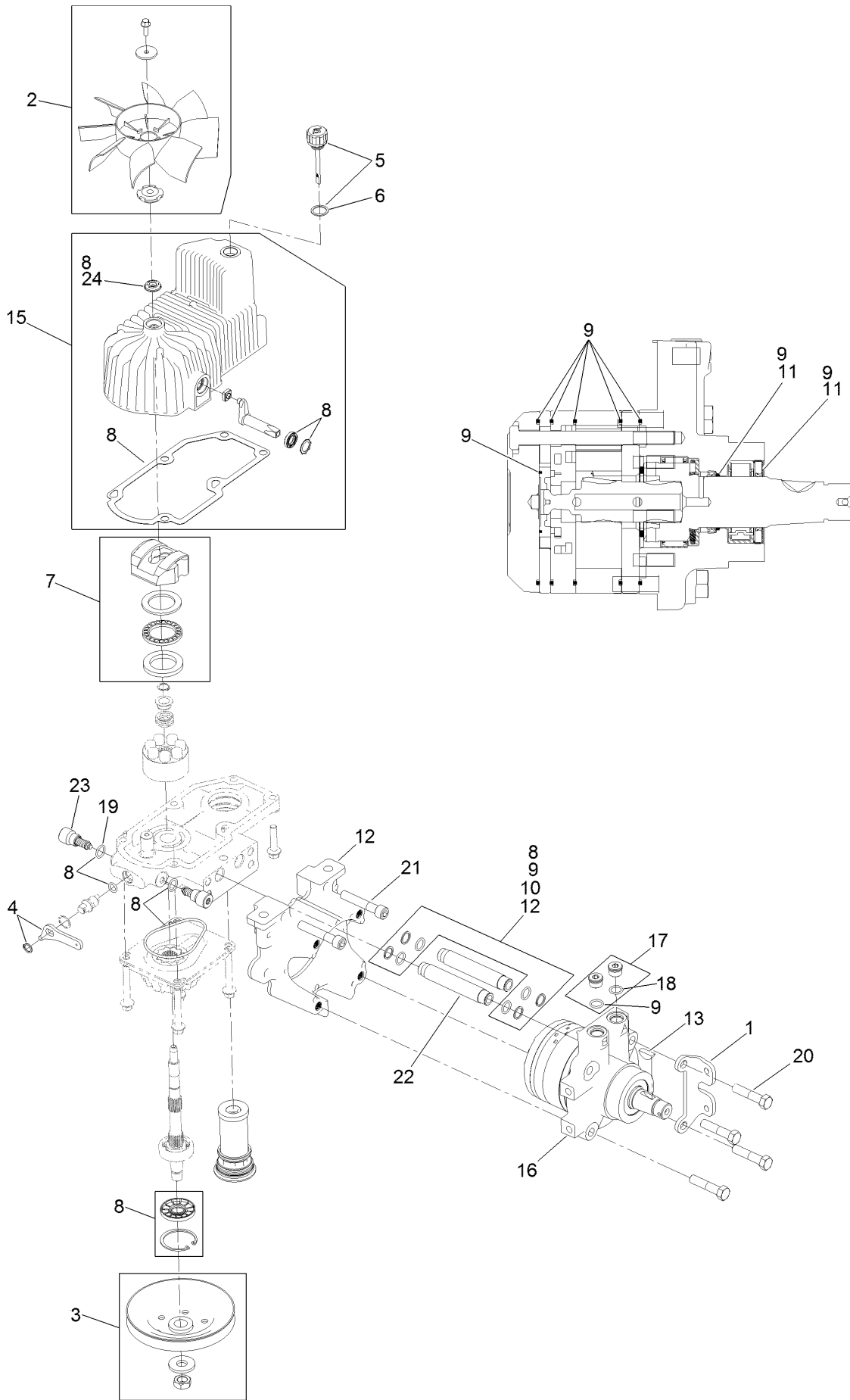


## LH Hydro Assembly No. 126-1323 (continued)

<i>Ref.</i>	<i>Part Number</i>	<i>Qty.</i>	<i>Description</i>	<i>Ref.</i>	<i>Part Number</i>	<i>Qty.</i>	<i>Description</i>
2	116-0233	1	Fan Kit	15	116-3287	1	Housing-LH
3	116-0234	1	Pulley Kit	16	116-8915	1	Motor-Hydraulic LH 240Cc
4	116-0235	1	Handle-Bypass Valve, Hydro	17	116-7901	1	Magnetic Plugs Service Kit
5	116-0236	1	Dipstick-Hydro W/Gasket	18	76-1900	2	O-Ring
6	116-0237	1	Gasket-Dipstick, Hydro	19	116-8662	2	O-Ring-Check Valve
7	116-1367	1	Swash Block Kit	20	116-8974	4	Screw HH
8	116-1368	1	Pump Seal Kit	21	116-8975	2	Screw-HSH
9	116-1369	1	Motor Seal Kit	22	116-9922	2	Hydraulic Tube Kit
10	116-1370	1	Tube Seal Kit	23	126-7466	2	Shock Valve, 12Cc Hydro
11	116-1371	1	Output Shaft Seal Kit	24	126-7711	1	Seal-Fan Drive
12	116-5469	1	Nose Cup-Uht	99	116-4245	1	Puller-Pulley ●
13	3257-42	1	Key-Woodruff	99	116-1373	1	Flow Test Kit ●

● Not illustrated

# RH Hydro Assembly No. 126-1324



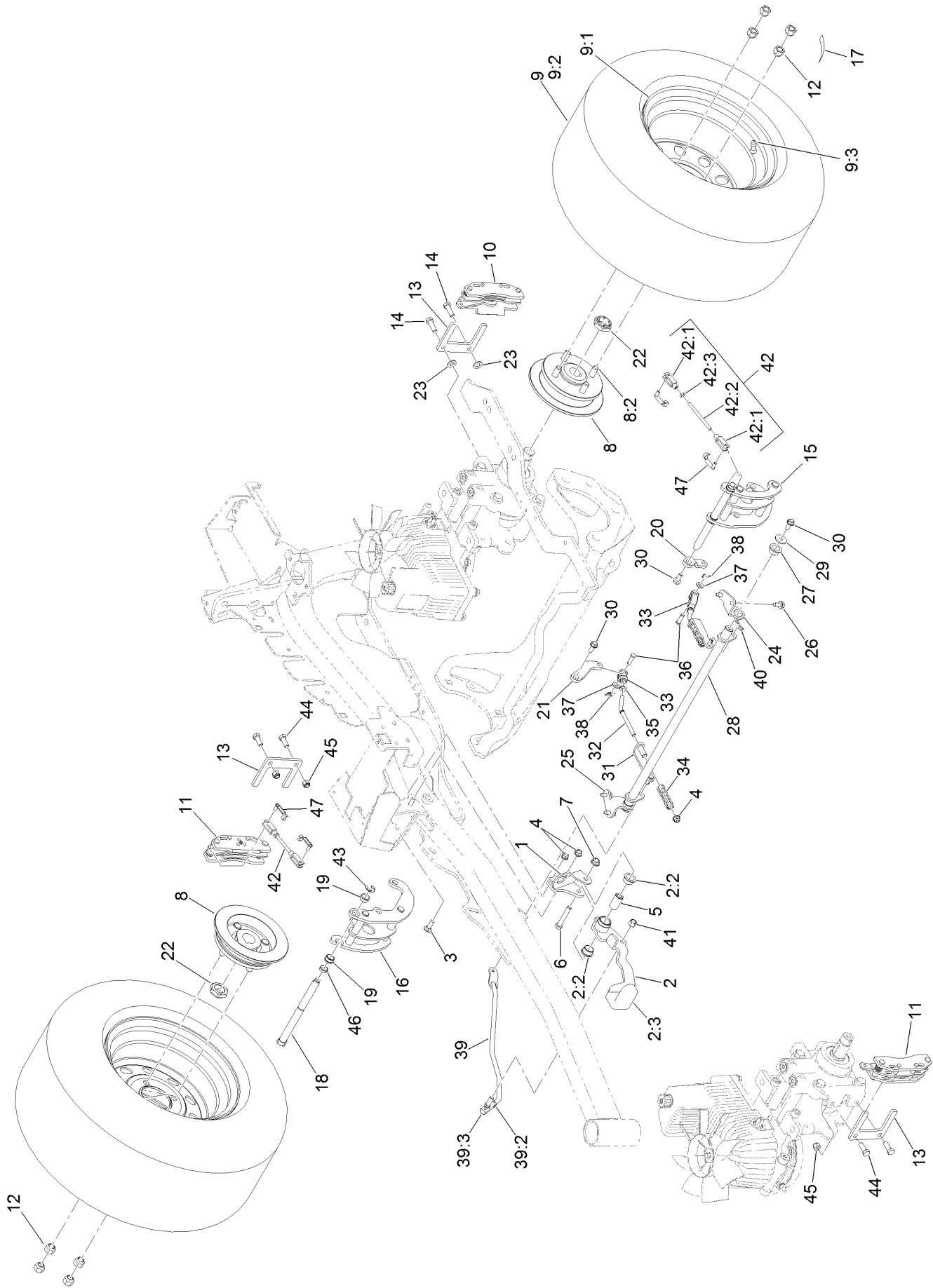


## RH Hydro Assembly No. 126-1324 (continued)

<i>Ref.</i>	<i>Part Number</i>	<i>Qty.</i>	<i>Description</i>	<i>Ref.</i>	<i>Part Number</i>	<i>Qty.</i>	<i>Description</i>
1	116-9063	1	Mount-Shoe, Horse	13	3257-42	1	Key-Woodruff
2	116-0233	1	Fan Kit	15	116-3288	1	Housing-RH
3	116-0234	1	Pulley Kit	16	116-8916	1	Motor-Hydraulic RH 240Cc
4	116-0235	1	Handle-Bypass Valve, Hydro	17	116-7901	1	Magnetic Plugs Service Kit
5	116-0236	1	Dipstick-Hydro W/Gasket	18	76-1900	2	O-Ring
6	116-0237	1	Gasket-Dipstick, Hydro	19	116-8662	2	O-Ring-Check Valve
7	116-1367	1	Swash Block Kit	20	116-8974	4	Screw HH
8	116-1368	1	Pump Seal Kit	21	116-8975	2	Screw-HSH
9	116-1369	1	Motor Seal Kit	22	116-9922	2	Hydraulic Tube Kit
10	116-1370	1	Tube Seal Kit	23	126-7466	2	Shock Valve, 12Cc Hydro
11	116-1371	1	Output Shaft Seal Kit	24	126-7711	1	Seal-Fan Drive
12	116-5469	1	Nose Cup-Uht	99	116-4245	1	Puller-Pulley ●
				99	116-1373	1	Flow Test Kit ●

● Not illustrated

# Rear Wheel and Parking Brake Assembly

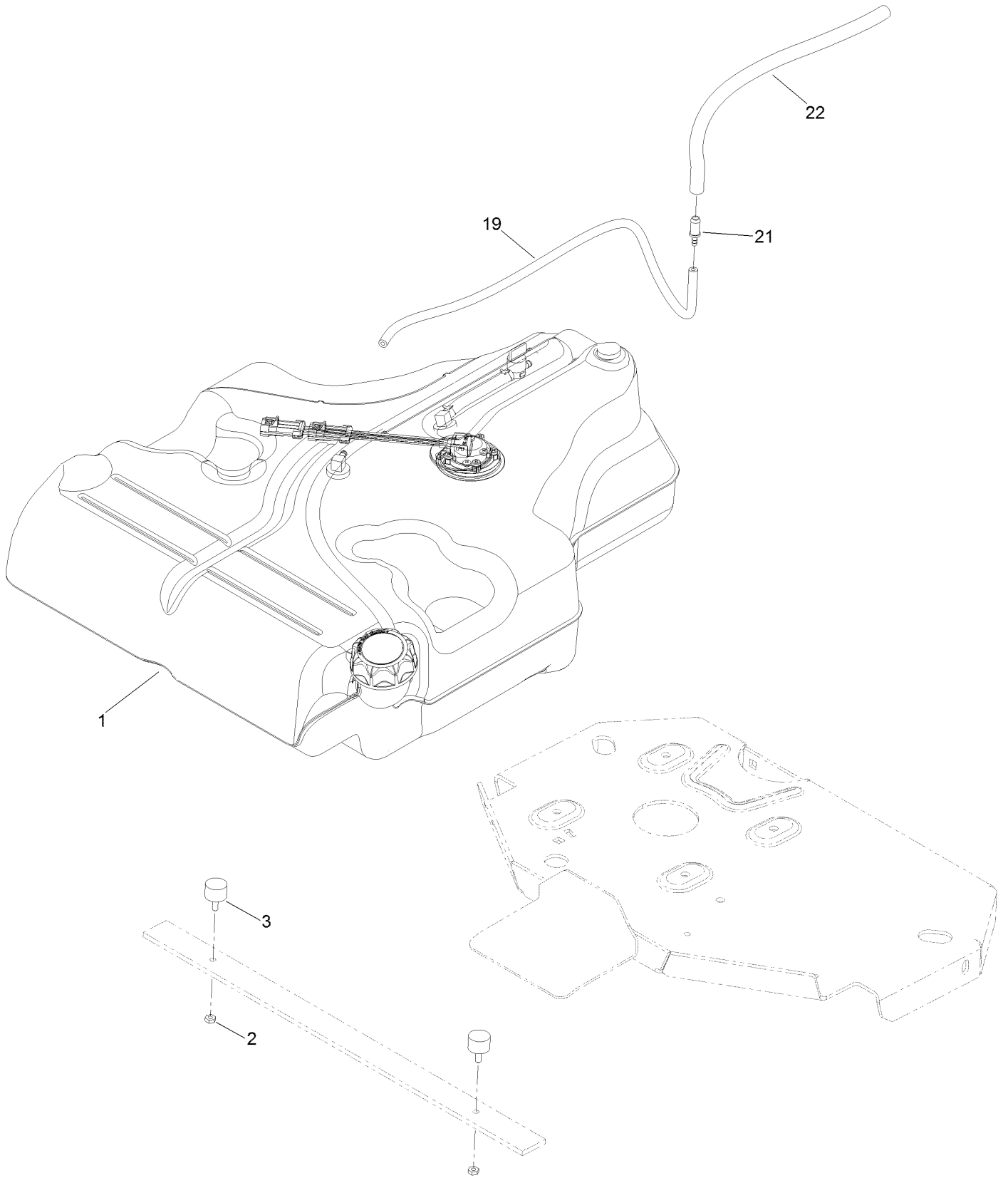


Rear View Of  
Right Hand Hydro

## Rear Wheel and Parking Brake Assembly (continued)

<i>Ref.</i>	<i>Part Number</i>	<i>Qty.</i>	<i>Description</i>	<i>Ref.</i>	<i>Part Number</i>	<i>Qty.</i>	<i>Description</i>
1	116-9096-01	1	Bracket-Mount	24	116-9681	1	Mount-Pivot, LH
2	131-4623	1	Brake Lever ASM W/ Grip	25	116-9682	1	Mount-Pivot, RH
2:2	109-8054	2	Bushing-Flange	26	32144-70	4	Screw-HWHTF
2:3	132-4749	1	Grip-Lever	27	109-8054	2	Bushing-Flange
3	3230-2	2	Bolt-CARR	28	116-9080	1	Shaft-Cross
4	104-8300	4	Nut-HF, NI	29	115-7109	2	Washer-Flat
5	116-9117	1	Handle-Pivot, Brake	30	98-9940	4	Screw
6	323-11	1	Screw-HH	31	116-9609	2	Bracket-L
7	104-8301	1	Nut-HF, NI	32	116-9086	2	Linkage-Mid
8	116-1746	2	Wheel Hub ASM	33	126-3693	2	Yoke-Offset
8:2	116-1696	4	Stud-Wheel	34	116-9085	2	Spring-Compression
9	127-9520	2	Wheel And Tire ASM	35	3220-2	2	Nut-Jam
9:1	127-9517	1	Wheel	36	1-808280	2	Pin-Clevis
9:2	1-633993	1	Tire	37	3256-23	4	Washer-Plain
9:3	232-27	1	Stem-Valve	38	116-6639	2	Pin-Cotter, Locking
10	109-2889	1	Caliper-Brake	39	116-9102	1	Front Linkage ASM
11	116-9103	1	Caliper-Brake, RH	39:2	94-7572	1	End-Tie Rod, RH
12	242-50	8	Nut-Lug	39:3	3220-3	1	Nut-HJ
13	109-0958	2	Plate-Mount, Brake	40	119-1415	2	Pin-Cotter, Locking
14	92-5727	2	Screw-Lock, Patch	41	3296-6	1	Nut-Lock
15	126-4248	1	Mount-Bellcrank, LH	42	126-7587	2	Rear Linkage ASM
16	126-4249	1	Mount-Bellcrank, RH	42:1	126-7588	2	Yoke
17	126-2055	2	Decal-Torque, Wheel Hub Lug	42:2	116-9069	1	Linkage, Rear
18	126-4251	2	Bellcrank	42:3	3220-1	1	Nut-Jam
19	126-6199	4	Bushing-Igus	43	32120-19	2	E-Ring
20	126-3715	1	Arm-Inner, LH	44	323-6	2	Screw-HH
21	126-3716	1	Arm-Inner, RH	45	3296-39	2	Nut-Lock, NI
22	116-1399	2	Locknut	46	126-6200	2	Spacer
23	3256-24	2	Washer-Flat	47	126-6395	4	Pin-Clevis, Spring

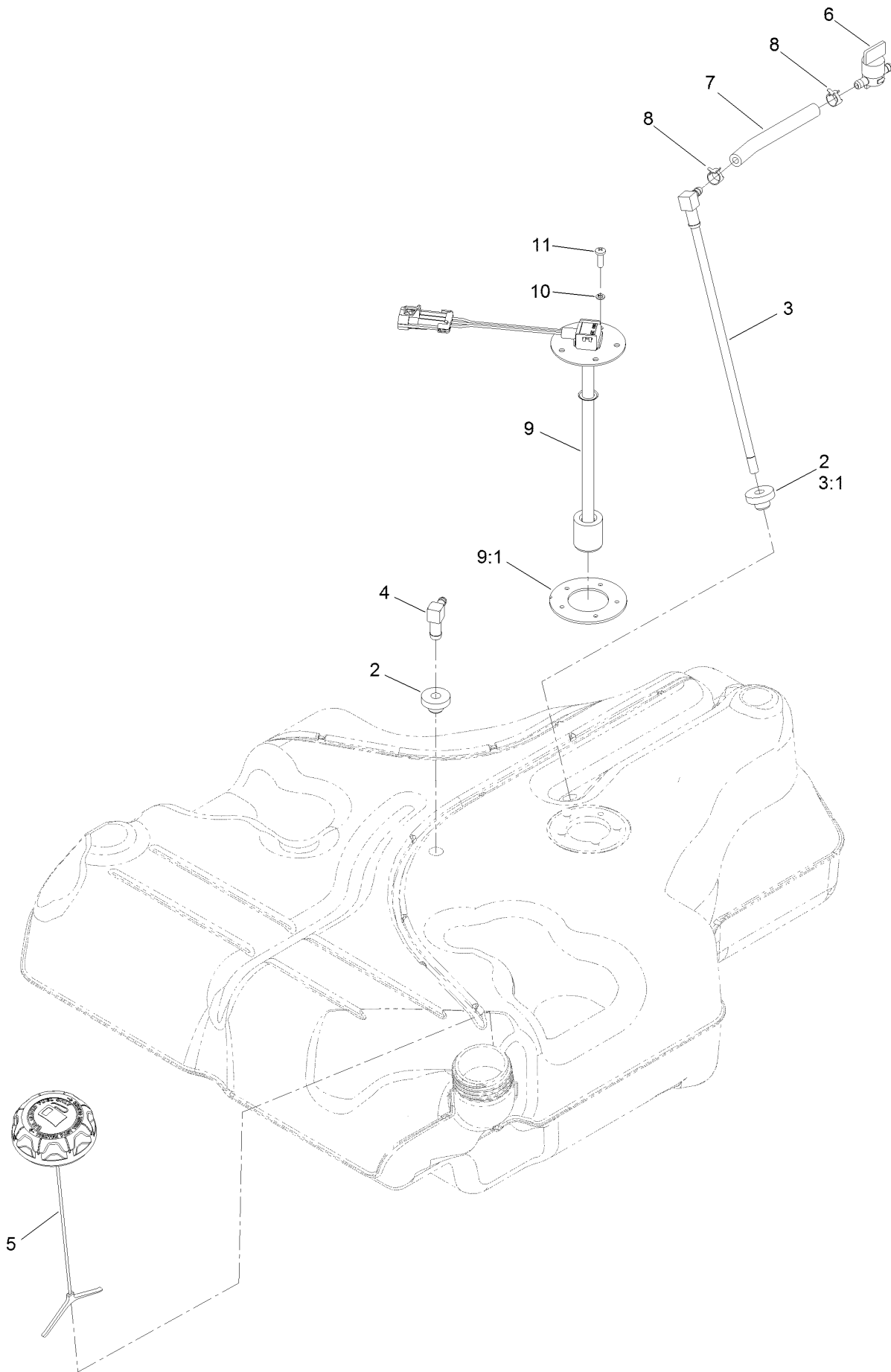
# Fuel System Assembly



## Fuel System Assembly (continued)

<i>Ref.</i>	<i>Part Number</i>	<i>Qty.</i>	<i>Description</i>	<i>Ref.</i>	<i>Part Number</i>	<i>Qty.</i>	<i>Description</i>
1	135-0645	1	Fuel Tank ASM	19	110-8751	1	Hose-Fuel
2	3218-1	2	Nut-Jam	21	98-2952	1	Fitting-Straight
3	1-523420	2	Bumper	22	116-4344	1	Hose-Fuel

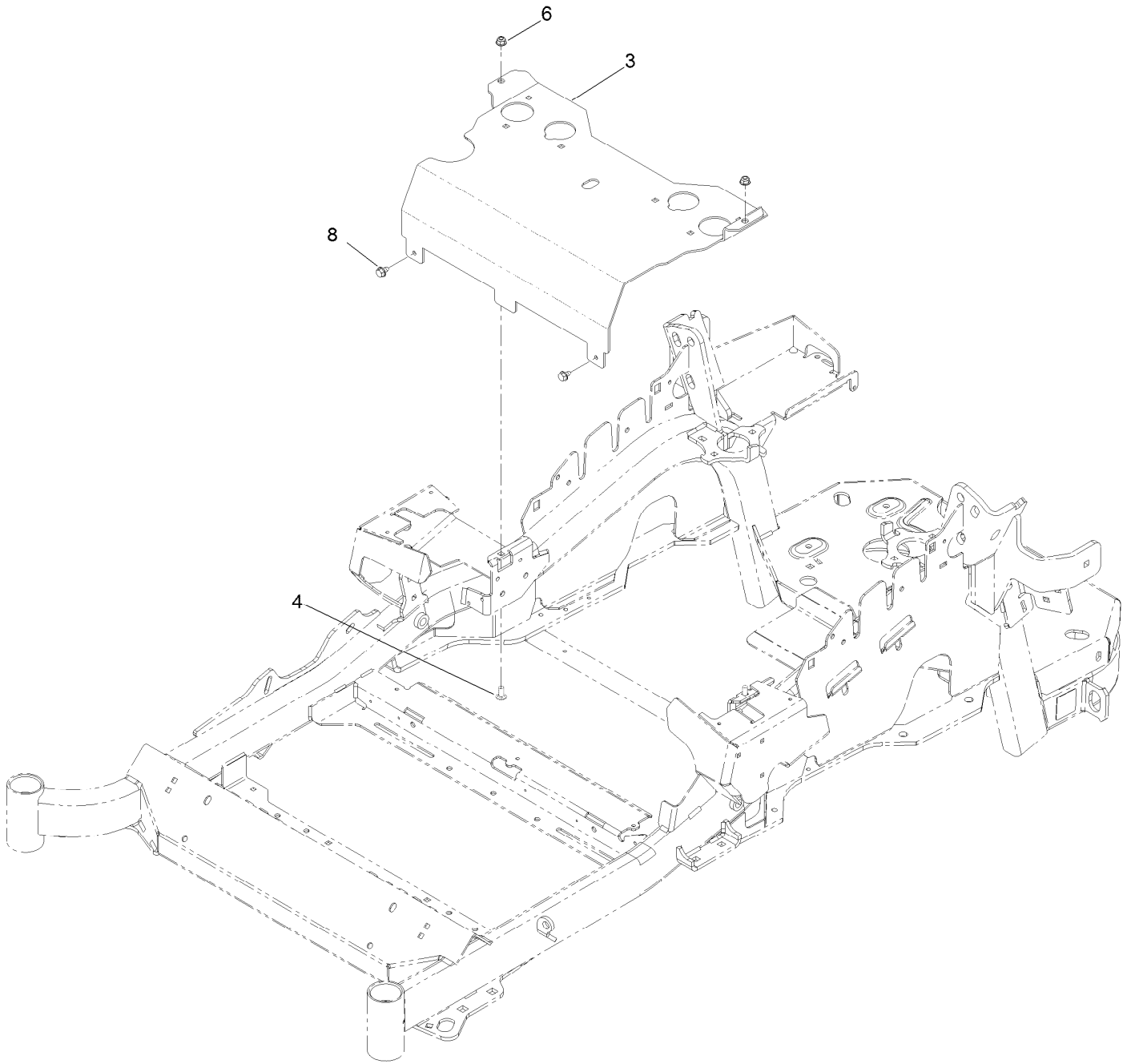
# Fuel Tank Assembly No. 135-0645



## Fuel Tank Assembly No. 135-0645 (continued)

<i>Ref.</i>	<i>Part Number</i>	<i>Qty.</i>	<i>Description</i>	<i>Ref.</i>	<i>Part Number</i>	<i>Qty.</i>	<i>Description</i>
2	46-6560	2	Bushing	7	109-0650	1	Hose-Fuel
3	116-2459	1	Fuel Line Kit (With Grommet)	8	2412-98	2	Clamp-Hose
3:1	46-6560	1	Bushing	9	126-3949	1	Sender-Level, Fuel (W/Gasket)
4	116-2288	1	Fitting-90 Elbow	9:1	126-3950	1	Gasket-Sender
5	126-1789	1	Cap-Fuel, Ratcheting	10	3253-17	5	Washer-Lock
6	1-603770	1	Valve-Fuel	11	3290-500	5	Screw-PPH

# Seat Mount Assembly





## Seat Mount Assembly (continued)

<i>Ref.</i>	<i>Part Number</i>	<i>Qty.</i>	<i>Description</i>	<i>Ref.</i>	<i>Part Number</i>	<i>Qty.</i>	<i>Description</i>
3	116-2130-03	1	Panel-Front, Seat Mount	6	104-8300	2	Nut-HF, NI
4	3230-23	2	Screw-CARR	8	9266934	2	Screw

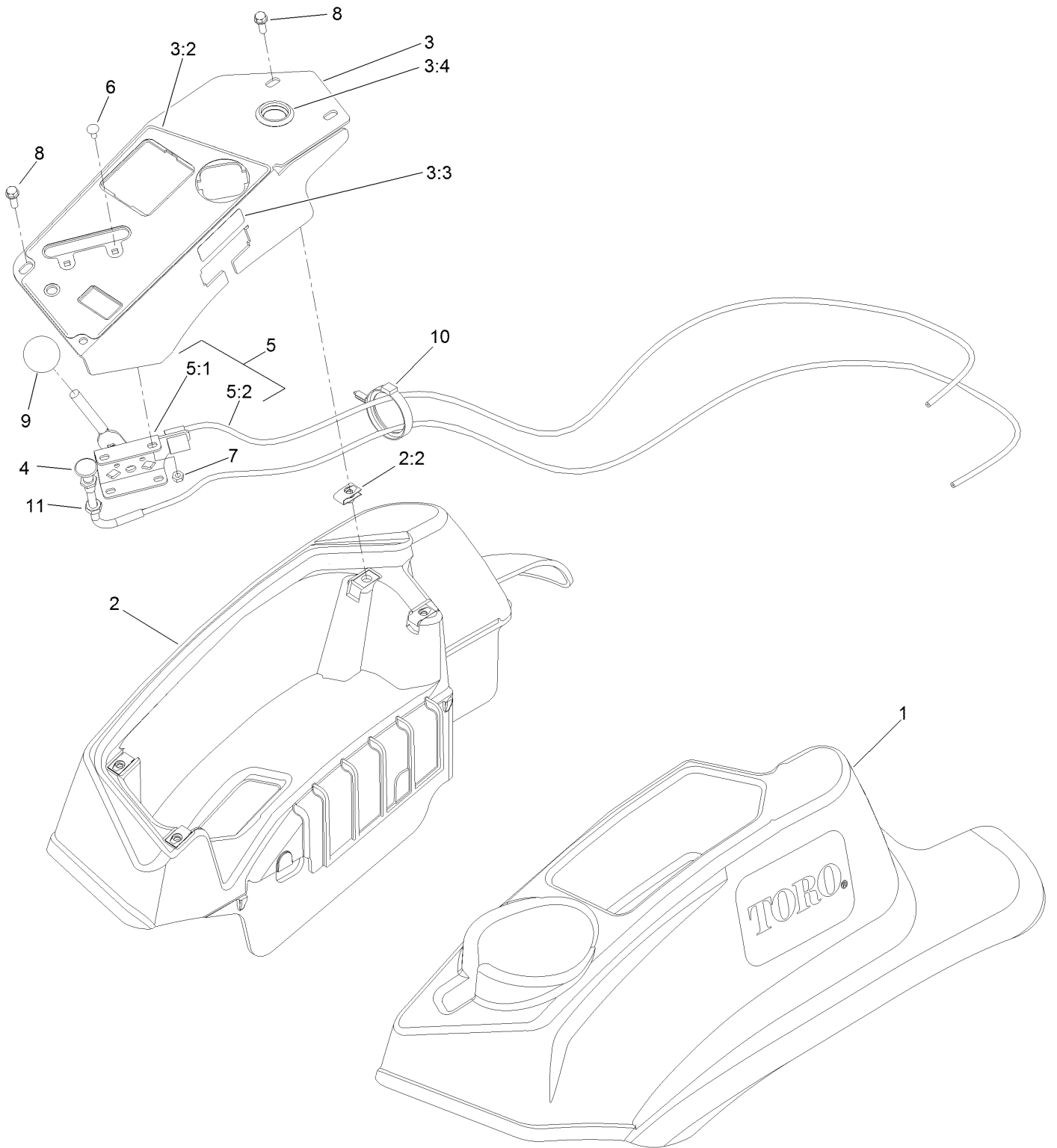


## Motion Control Assembly (continued)

<i>Ref.</i>	<i>Part Number</i>	<i>Qty.</i>	<i>Description</i>	<i>Ref.</i>	<i>Part Number</i>	<i>Qty.</i>	<i>Description</i>
1	116-0880	1	RH Motion Control And Bushing ASM	14	133-1839	1	RH Steering Handle ASM
1:2	109-8054	4	Bushing-Flange	14:2	109-5668	1	Grip-Control, Lever
2	116-0881	1	LH Motion Control And Bushing ASM	15	133-1841	1	LH Steering Handle ASM
2:2	109-8054	4	Bushing-Flange	15:2	109-5668	1	Grip-Control, Lever
3	116-0648	2	Screw-HH, Thread Locking ●	16	104-8301	4	Nut-HF, NI
4	109-4581	2	Arm-Control, Pump	17	323-7	4	Screw-HH
5	9080046	2	Screw-HH ●	18	109-5575	2	Spring-Leaf
6	1-303435	2	Washer-Spring	19	109-8106	2	Front Pump Linkage ASM
7	116-0027	2	Damper-Control, Motion	19:2	3219-2	2	Nut-Hex
8	104-8300	8	Nut-HF, NI	19:3	1-323245	2	Spring-Compression
9	3230-2	2	Bolt-CARR	19:4	1-633152	1	Balljoint-LH
10	109-5891	2	Hub-Threaded	19:5	1-543017	1	Balljoint-RH
11	325-12	2	Screw-HH	20	109-9505	4	Washer-Spring
12	116-0039	1	Lever-Control Motion, RH	21	3256-6	2	Washer-Flat
13	116-0040	1	Lever-Control Motion, LH	22	32128-56	2	Nut-HF
				23	3256-23	2	Washer-Plain
				24	3218-5	2	Nut-Jam
				25	115-1794	2	Screw-HHF

● Use Pro-Lock, Nut Type (P/N 1-840022, .5ml tube) on threads.

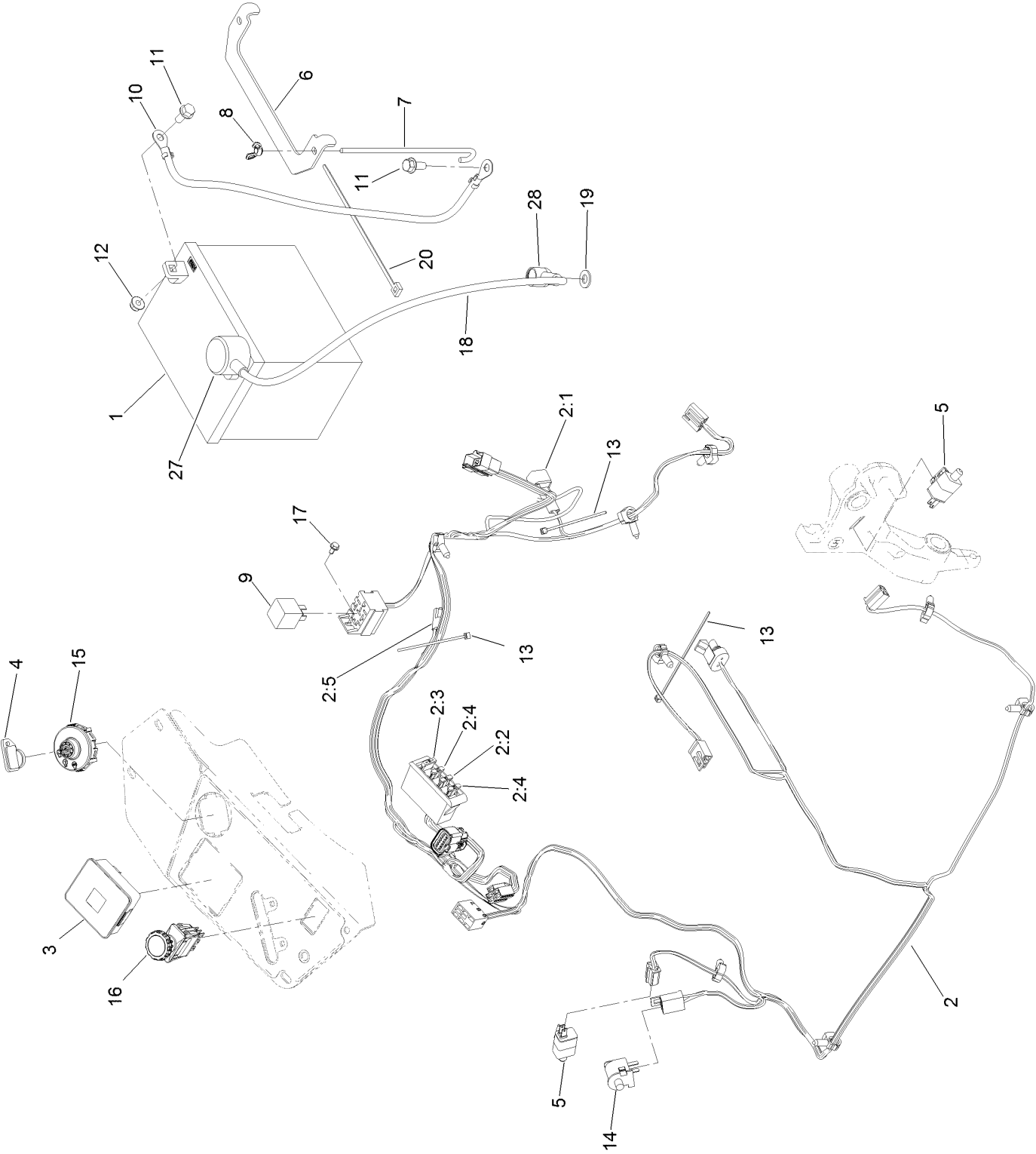
# Console and Control Panel Assembly



## Console and Control Panel Assembly (continued)

<i>Ref.</i>	<i>Part Number</i>	<i>Qty.</i>	<i>Description</i>	<i>Ref.</i>	<i>Part Number</i>	<i>Qty.</i>	<i>Description</i>
1	119-2602	1	Console-LH	5:1	112-2334	1	Lever-Throttle
2	119-2603	1	RH Console ASM	5:2	110-5728	1	Cable-Throttle
2:2	107069	4	Clip	6	1-807513	2	Bolt-CARR
3	119-6663	1	Control Panel ASM	7	3296-2	2	Nut-Lock, NI
3:2	121-7551	1	Decal-Control Panel	8	32105-15	4	Screw-HWH
3:3	114-4466	1	Decal-Fuses	9	1-603175	1	Knob-Ball
3:4	116-1875	1	Plug-Plastic	10	117-7817	1	Clamp-Harness
4	115-2753	1	Control-Choke	11	3220-3	1	Nut-HJ
5	110-5727	1	Throttle Control ASM				

# Electrical System Assembly

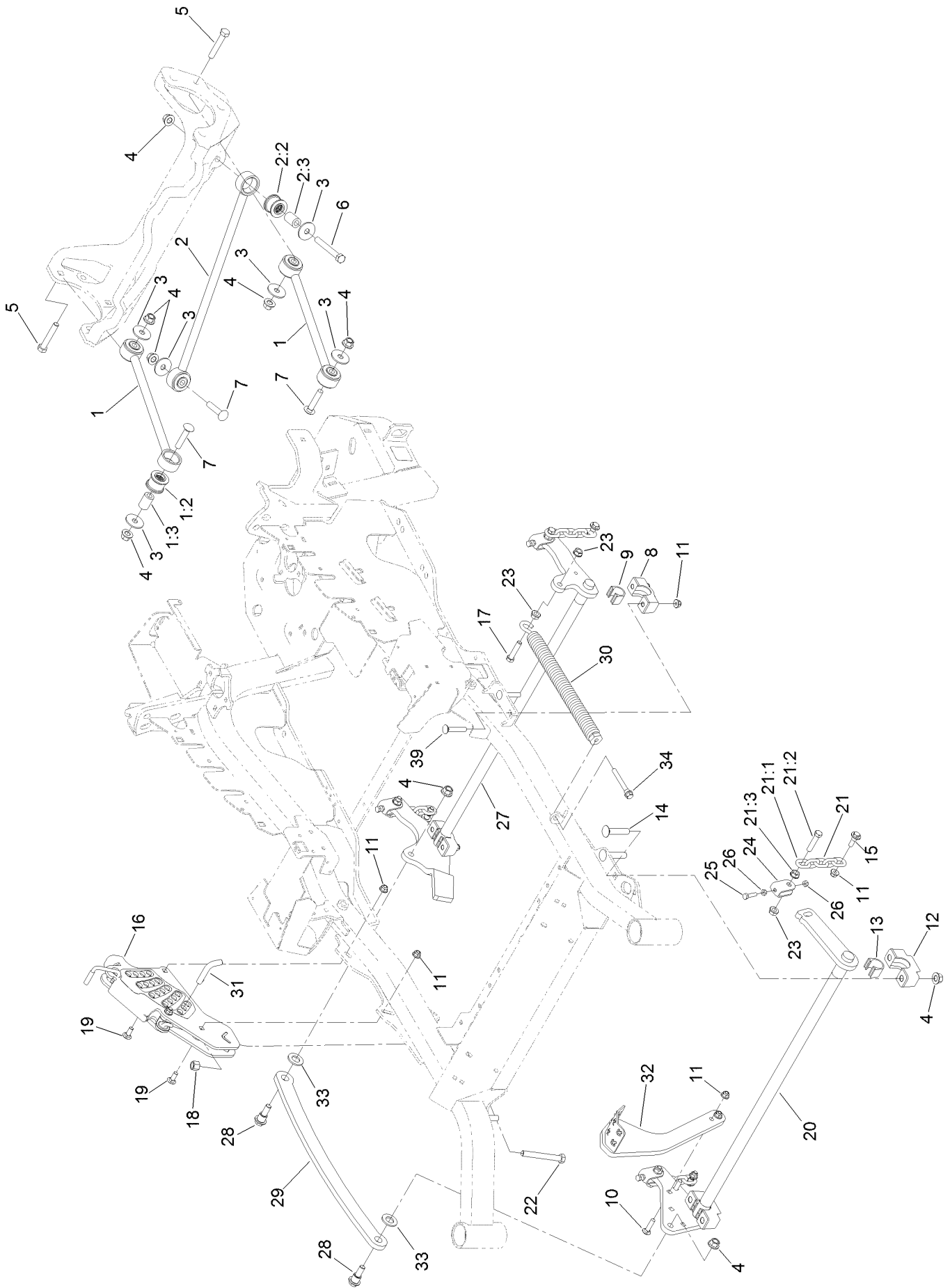


## Electrical System Assembly (continued)

<i>Ref.</i>	<i>Part Number</i>	<i>Qty.</i>	<i>Description</i>	<i>Ref.</i>	<i>Part Number</i>	<i>Qty.</i>	<i>Description</i>
1	104-8162	1	Battery-Dry	10	114-1218	1	Cable-Battery, Negative
2	116-6009	1	Harness-Wire, Main ●	11	3234-5	2	Screw-HHF
2:1	103-3895	1	Diode	12	104-8300	2	Nut-HF, NI
2:2	218-578	1	Fuse-Blade, 10 Amp	13	1-303287	3	Tie-Cable
2:3	109355	1	Fuse-Blade, 15 Amp	14	82-2190	1	Switch-Bail
2:4	109102	2	Fuse-Blade, 25 Amp	15	117-2221	1	Switch-Ignition
2:5	116-0053	1	Cap-Plug	16	116-0124	1	Switch-PTO, 10 Amp
3	117-3882	1	Fuel/Hour Meter ASM	17	104-2065	1	Screw-HWH
4	63-8360	1	Key-Ignition	18	115-3864	1	Cable-Battery, Positive
5	110-6765	2	Switch	19	3256-24	1	Washer-Flat
6	116-0042-03	1	Strap-Tie Down, Battery	20	1-303335	1	Tie-Plastic
7	1-633651	2	Bolt-Holddown	27	109-2407	1	Insulator-Battery
8	1-543792	2	Wingnut	28	1-543393	1	Insulator-Solenoid
9	1-643275	1	Relay				

● Use dielectric grease on all unsealed connectors and terminals only. Do not apply in sealed connectors.

# Deck Lift Assembly

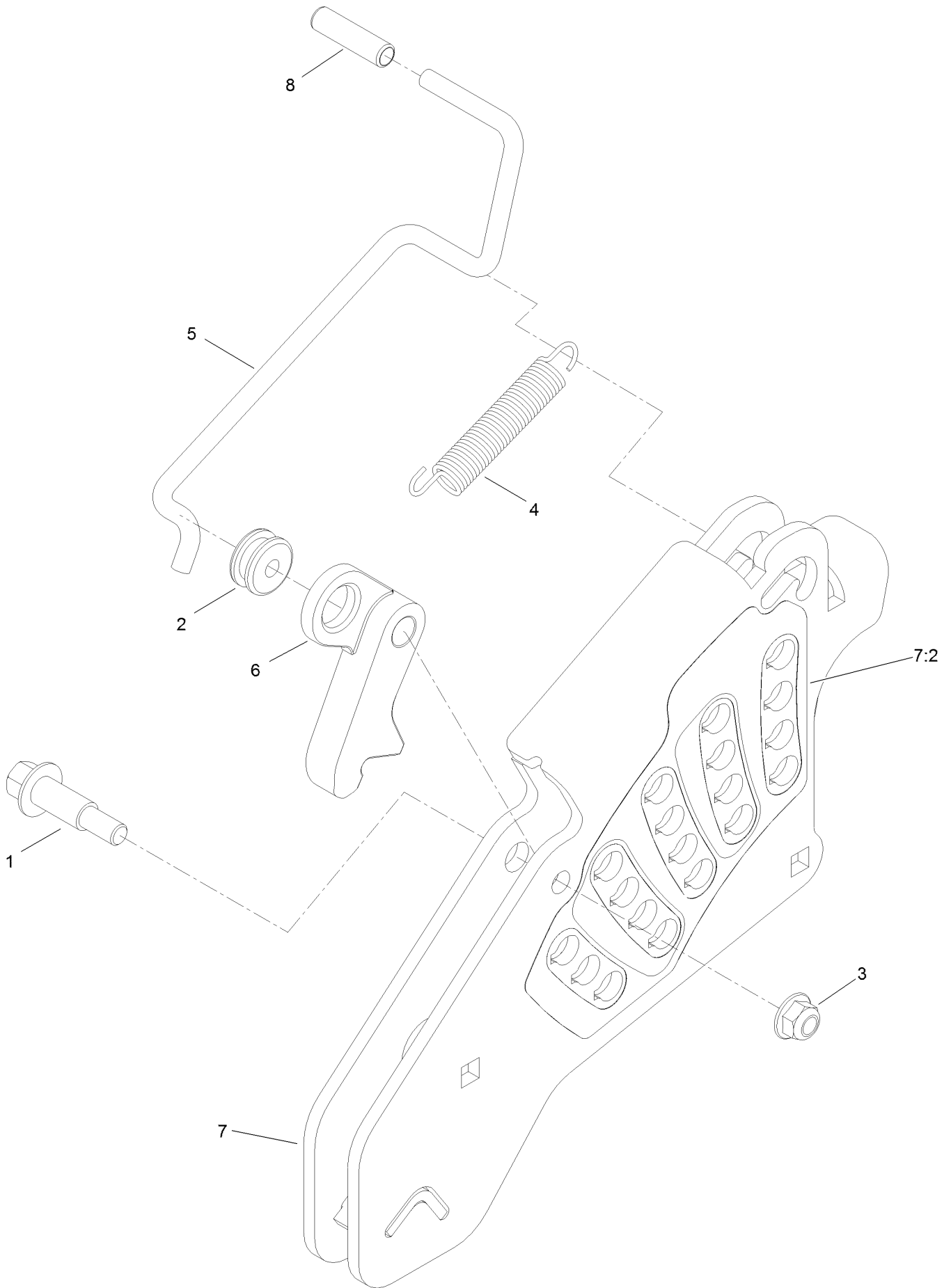




## Deck Lift Assembly (continued)

<i>Ref.</i>	<i>Part Number</i>	<i>Qty.</i>	<i>Description</i>	<i>Ref.</i>	<i>Part Number</i>	<i>Qty.</i>	<i>Description</i>
1	109-7952	2	Deck Strut ASM	16	109-7438	1	HOC ASM
1:2	109-5009	2	Bushing-Suspension, Rubber	17	109-9065	1	Screw-HH
1:3	109-5010	2	Spacer	18	3296-23	1	Nut-Lock, NI
2	109-5013	1	Panhard Rod ASM	19	3231-2	2	Bolt-CARR
2:2	109-5009	2	Bushing-Suspension, Rubber	20	126-2475-03	1	Decklift-Front
2:3	109-5010	2	Spacer	21	116-0756	4	Deck Lift Chain ASM
3	86-1990	6	Washer-Thrust	21:1	1-633447	1	Chain-Lift, Deck
4	99-5107	12	Nut-Lock	21:2	109-9065	1	Screw-HH
5	325-12	2	Screw-HH	21:3	32128-37	1	Nut-HF
6	325-17	1	Screw-HH	22	116-0559	1	Bolt-TAP
7	3233-34	3	Screw-CARR	23	32128-37	6	Nut-HF
8	127-0553	2	Support-Cross Shaft, Bearing Rear	24	109-9066	4	Yoke-Adjust, Deck
9	109-7173	2	Bearing-Cross Shaft, Rear	25	322-47	4	Screw-HH
10	3231-4	2	Screw-CARR	26	3218-2	8	Nut-Jam
11	104-8301	12	Nut-HF, NI	27	116-0459-03	1	Lift-Deck, Rear
12	109-9409	2	Support-Cross Shaft, Bearing	28	116-0780	2	Screw-Shoulder, HHF
13	109-9410	2	Bearing-Cross Shaft, Front	29	116-0797-03	1	Link-Lift, Deck
14	116-1700	4	Bolt-CARR	30	116-0000	1	Spring-Extension
15	109-9840	4	Screw-Shoulder, HHF	31	116-5584	1	Pin-HOC
				32	131-8812-01	1	Lever-Foot
				33	3256-28	2	Washer-Flat
				34	92-7674	1	Bolt-Shoulder
				39	3231-7	4	Screw-CARR

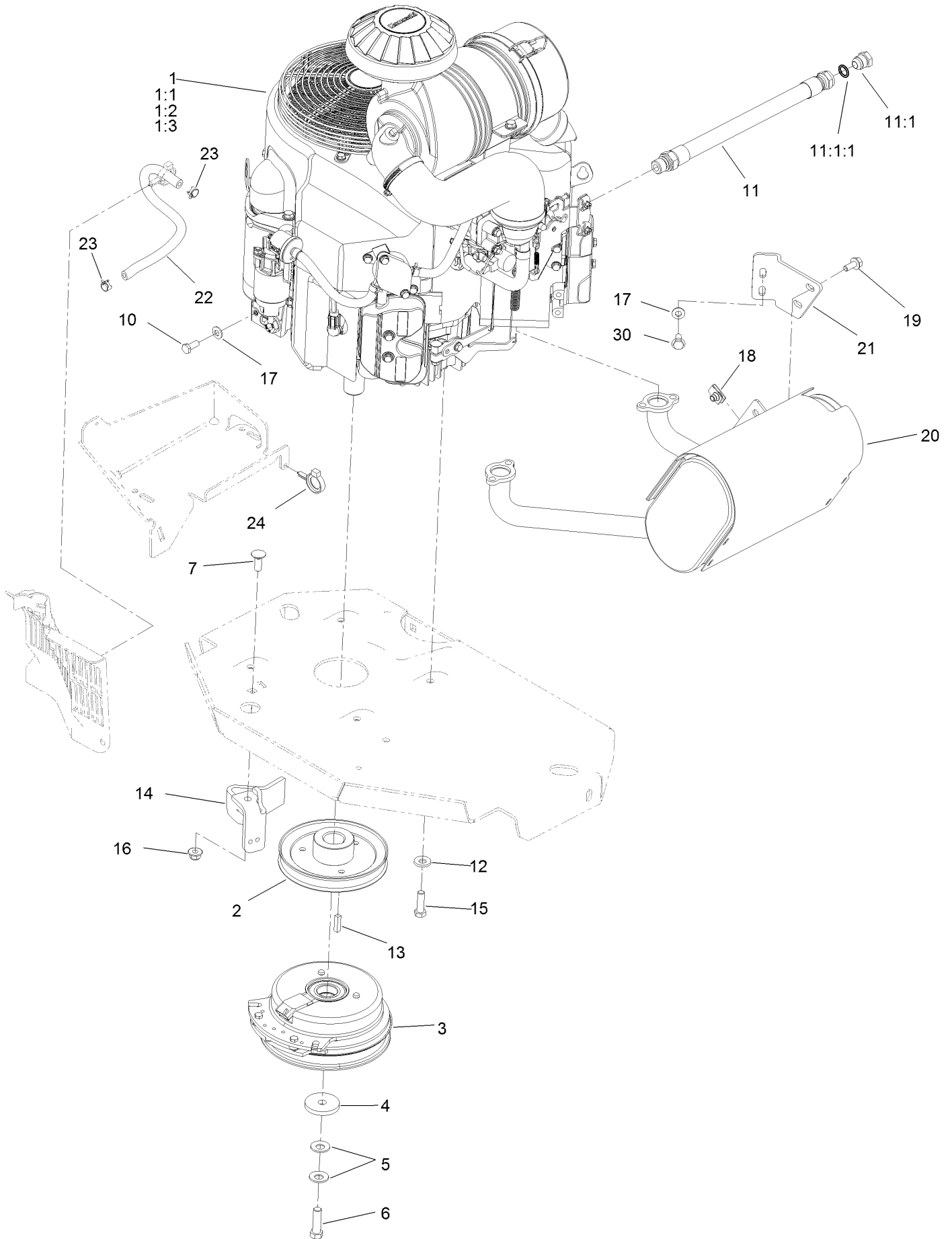
# Height-of-Cut Assembly No. 109-7438



## Height-of-Cut Assembly No. 109-7438 (continued)

<i>Ref.</i>	<i>Part Number</i>	<i>Qty.</i>	<i>Description</i>	<i>Ref.</i>	<i>Part Number</i>	<i>Qty.</i>	<i>Description</i>
1	62-1330	1	Bolt-Shoulder	6	116-0118	1	Pawl-Transport, HOC
2	109-7130	1	Grommet	7	109-7335	1	HOC Plate ASM
3	104-8301	1	Nut-HF, NI	7:2	126-4398	1	Decal-HOC
4	109-7124	1	Spring-Extension	8	109-8250	1	Grip-Lever
5	109-7128	1	Rod-Lock, Transport				

# Engine, Muffler and Clutch Assembly



## Engine, Muffler and Clutch Assembly (continued)

<i>Ref.</i>	<i>Part Number</i>	<i>Qty.</i>	<i>Description</i>	<i>Ref.</i>	<i>Part Number</i>	<i>Qty.</i>	<i>Description</i>
1		1	Engine-Kawasaki, Fx801V-S04-R ■▲	11:1	353-508	1	Plug-HH ●
1:1		1	Kawasaki 49065-2078 Engine Oil Filter ■▲	11:1:1	237-42	1	O-Ring
1:2		1	Kawasaki 11013-7044 Engine Air Filter ■▲	12	98-5975	4	Washer-Belleville
1:3		1	Kawasaki 11013-7045 Safety Filter ■▲	13	1-807259	1	Key
2	109-9905	1	Sheave	14	116-2612-01	1	Clutch-Anchor
3	116-1620	1	Clutch Kit	15	323-7	4	Screw-HH
4	109-6919	1	Washer-Clutch	16	104-8301	1	Nut-HF, NI
5	1-603610	2	Washer-Spring	17	1-303334	3	Washer-Spring
6	109-9761	1	Screw-HH ◆	18	94-2413	2	Nut-U
7	3231-22	1	Screw-CARR	19	3234-5	2	Screw-HHF
10	33114-020	1	Screw-HH	20	116-1712	1	Muffler
11	116-4924	1	Engine Oil Drain Hose ASM	21	116-0203	1	Bracket-Muffler
				22	109-0296	1	Hose-Fuel
				23	2412-98	2	Clamp-Hose
				24	105-1853	1	Clamp-Hose
				30	95-4184	2	Screw-HHF

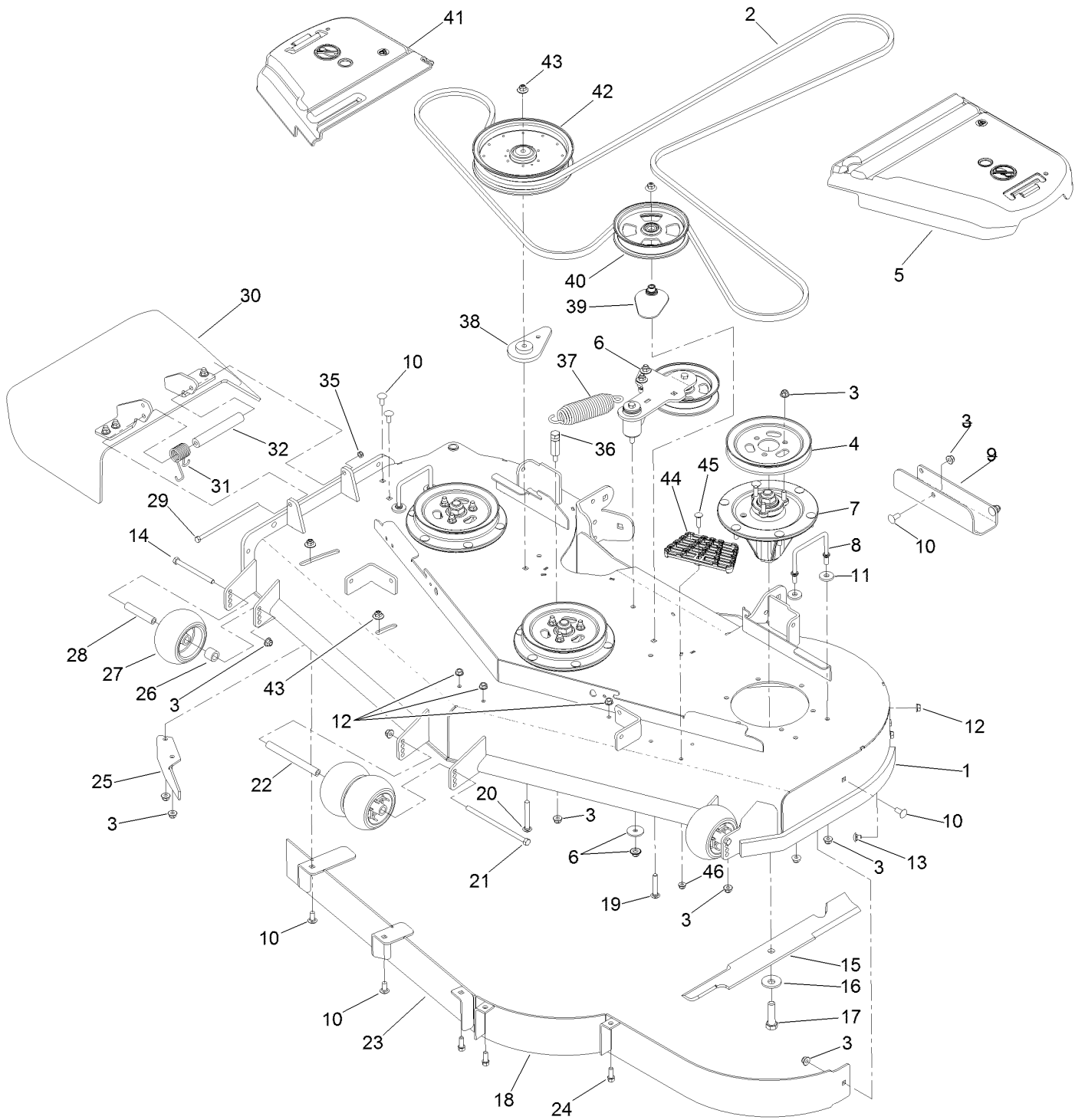
● Torque to 24-26 ft-lb

▲ Obtain parts from [www.kawpowerepc.com](http://www.kawpowerepc.com)

◆ Use Pro-Lock, Nut Type (P/N 1-840022, .5ml tube) on threads.

■ Not serviced separately

# Deck Assembly

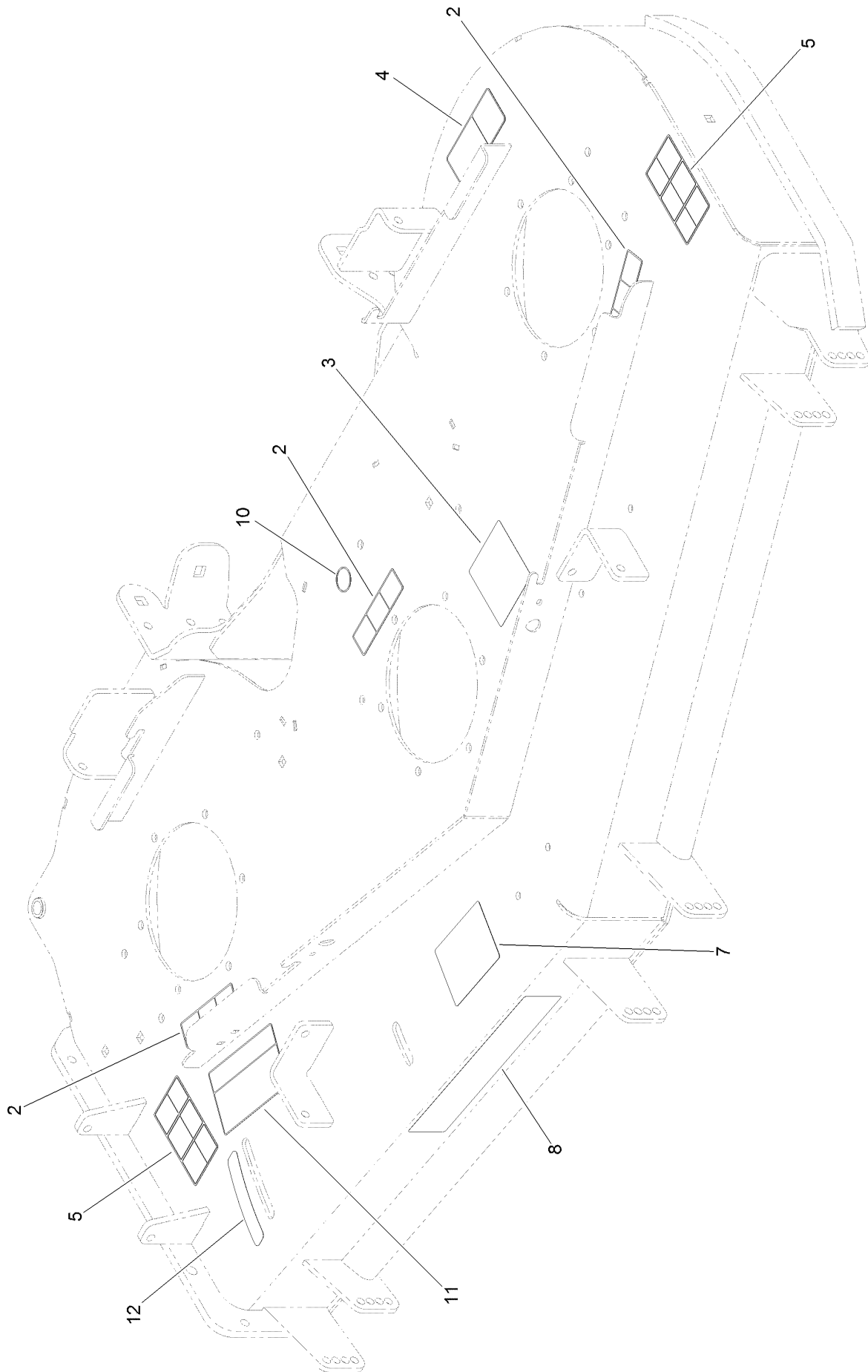


## Deck Assembly (continued)

<i>Ref.</i>	<i>Part Number</i>	<i>Qty.</i>	<i>Description</i>	<i>Ref.</i>	<i>Part Number</i>	<i>Qty.</i>	<i>Description</i>
1	114-5815	1	Deck Decal ASM	24	92-1624	3	Screw-HWH
2	114-5858	1	Belt-V	25	106-3216-01	1	Baffle-Discharge
3	104-8301	42	Nut-HF, NI	26	98-7913	2	Tube-Spacer
4	105-7734	3	Pulley	27	1-603299	4	Roller-Scalp, Anti
5	109-6938	1	Cover-Belt, LH	28	98-7912	2	Tube-Spanner
6		1	Idler Arm ASM ●	29	322-50	1	Screw-HH
7	127-0560	3	Spindle ASM	30	108-2792	1	Rubber Deflector ASM
8	109-6982	2	Wireform-Cover	31	108-4052	1	Spring-Torsion
9	121-8031-01	1	Plate-Skid	32	105-4622	1	Spacer
10	3231-27	9	Screw-CARR	35	3296-47	1	Nut-Lock, NI
11	1-373034	4	Washer	36	114-5867	1	Anchor-Spring, Tall
12	3290-357	6	Nut-HHF, Whiz	37	116-6317	1	Spring-Extension
13	108-5387	3	Screw-CARR	38	109-9416	1	Spacer-Idler
14	323-23	2	Screw-HH	39	109-2872	1	Spacer-Pulley
15	105-7718-03	3	Blade-Hi Flow	40	136-5404	1	Pulley-Idler, Flat
16	103-0865	3	Washer-Blade Bolt, Heavy	41	116-0094	1	Cover-Belt, RH
17	51-4060	3	Screw-Blade	42	109-8590	1	Pulley-Idler
18	114-5842-01	1	Baffle	43	109-6658	4	Nut-Flange, NI
19	3231-40	1	Bolt-CARR, Short Neck	44	126-4781-03	1	Step-Deck
20	3231-42	1	Screw-CARR	45	3230-3	1	Screw-CARR
21	108-5388	1	Screw-HH	46	104-8300	1	Nut-HF, NI
22	98-5967	1	Spacer-Wheel				
23	115-7465-01	1	Baffle				

● Not serviced separately

# Deck Decal Assembly No. 114-5815

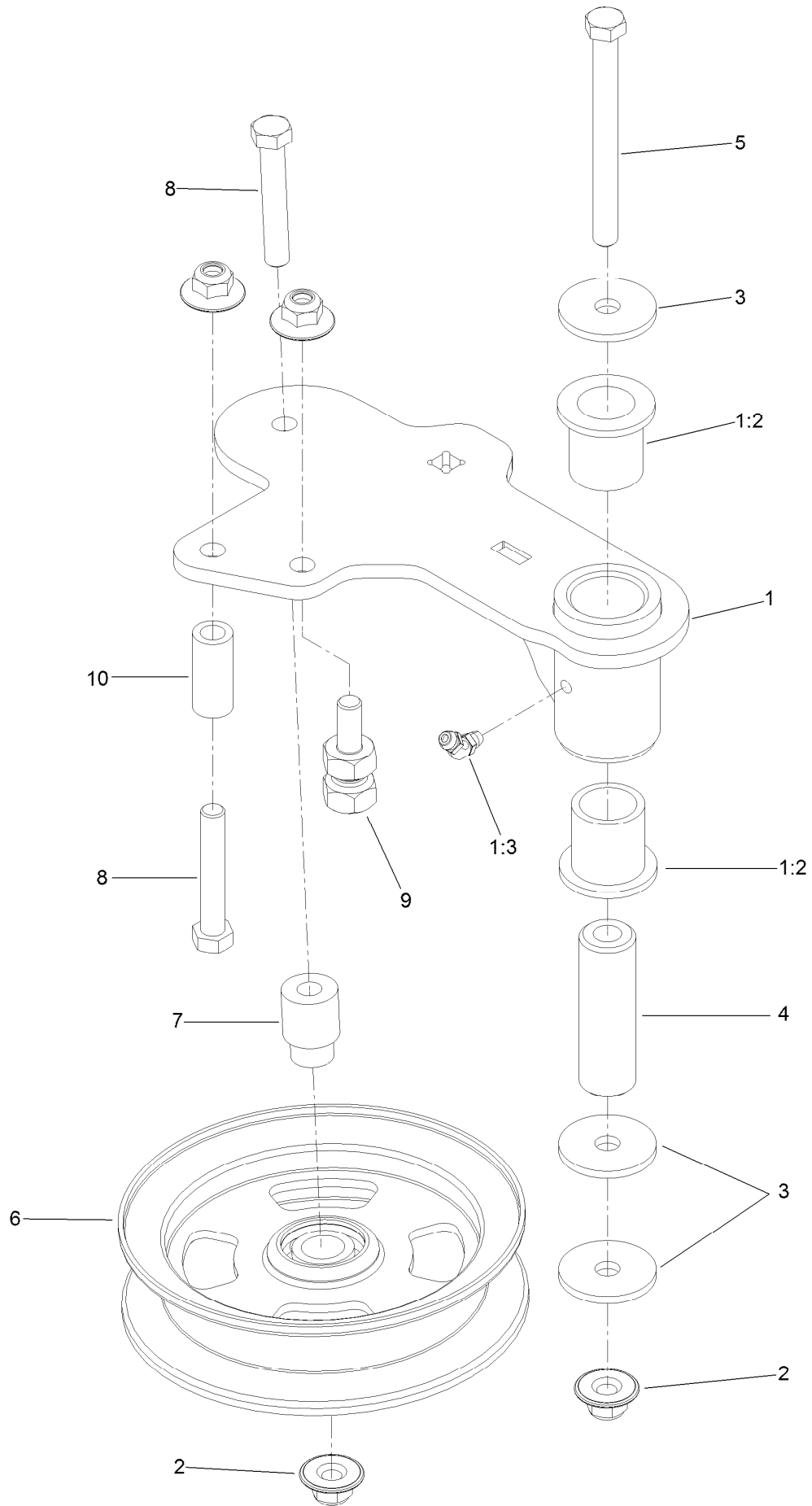




## Deck Decal Assembly No. 114-5815 (continued)

<i>Ref.</i>	<i>Part Number</i>	<i>Qty.</i>	<i>Description</i>	<i>Ref.</i>	<i>Part Number</i>	<i>Qty.</i>	<i>Description</i>
2	112-9028	3	Decal-Missing, Cover	8	107-1619	1	Decal
3	136-5508	1	Decal-Routing, Deck Belt	10	58-6520	1	Decal-Grease
4	93-7818	1	Decal-Torque, Blade Bolt	11	110-2068	1	Decal-Adjustment, Baffle
5	117-3848	2	Decal-Danger	12	110-2067	1	Decal-Setting, Baffle
7	127-0326	1	Decal-Anti Scalp				

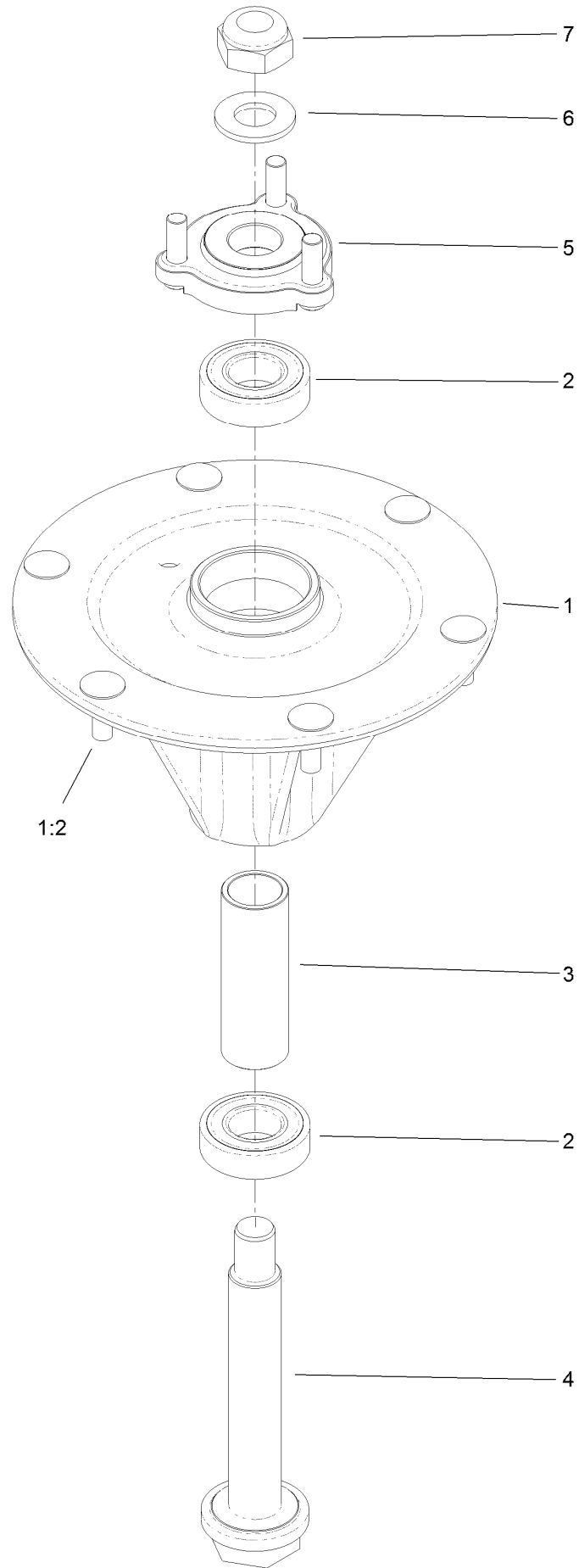
# Idler Arm Assembly



## Idler Arm Assembly (continued)

<i>Ref.</i>	<i>Part Number</i>	<i>Qty.</i>	<i>Description</i>	<i>Ref.</i>	<i>Part Number</i>	<i>Qty.</i>	<i>Description</i>
1	114-5870	1	Idler Arm ASM	5	98-5961	1	Screw-HH
1:2	1-303514	2	Bearing-Flanged	6	132-9425	1	Pulley-Idler, Flat
1:3	1481	1	Fitting-Grease	7	112-4212	1	Mount-Pulley
2	109-6658	4	Nut-Flange, NI	8	323-11	2	Screw-HH
3	1-213069	3	Washer	9	132-4729	1	Anchor-Spring, Short
4	114-5848	1	Spacer-Plain	10	104-0151	1	Spacer

# Spindle Assembly No. 127-0560

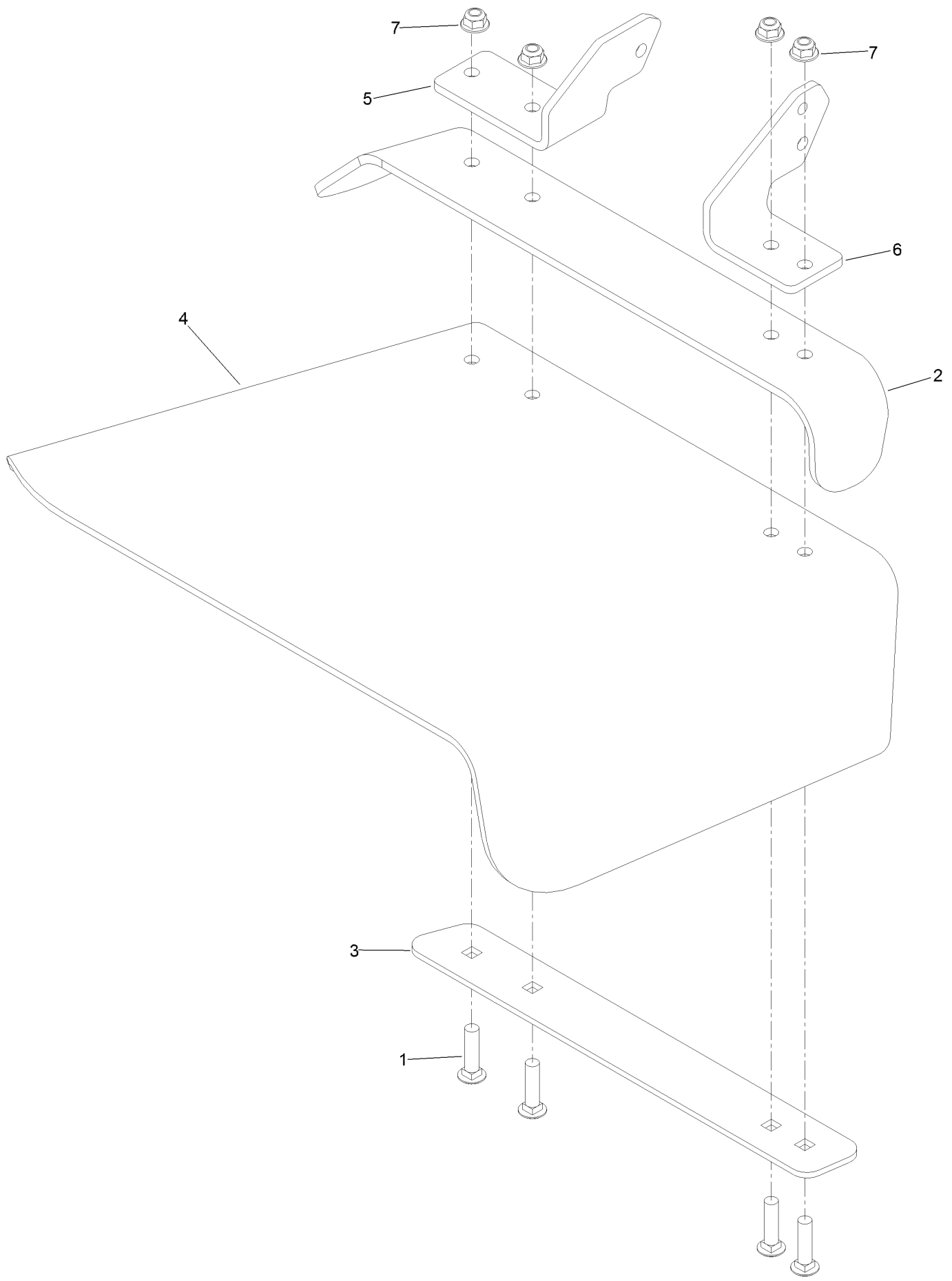


## Spindle Assembly No. 127-0560 (continued)

<i>Ref.</i>	<i>Part Number</i>	<i>Qty.</i>	<i>Description</i>	<i>Ref.</i>	<i>Part Number</i>	<i>Qty.</i>	<i>Description</i>
1		1	Spindle Housing ASM W/Studs ●	4	127-0556	1	Shaft-Spindle, Ball Bearing
1:2	114-8195	6	Bolt-Ribbed Neck	5	127-0557	1	Hub-Spindle (W/Studs)
2	116-0720	2	Bearing-Ball	6	92-5836	1	Washer
3	127-0554	1	Spacer-Bearing	7	3296-67	1	Nut-Lock, NI

● Not serviced separately

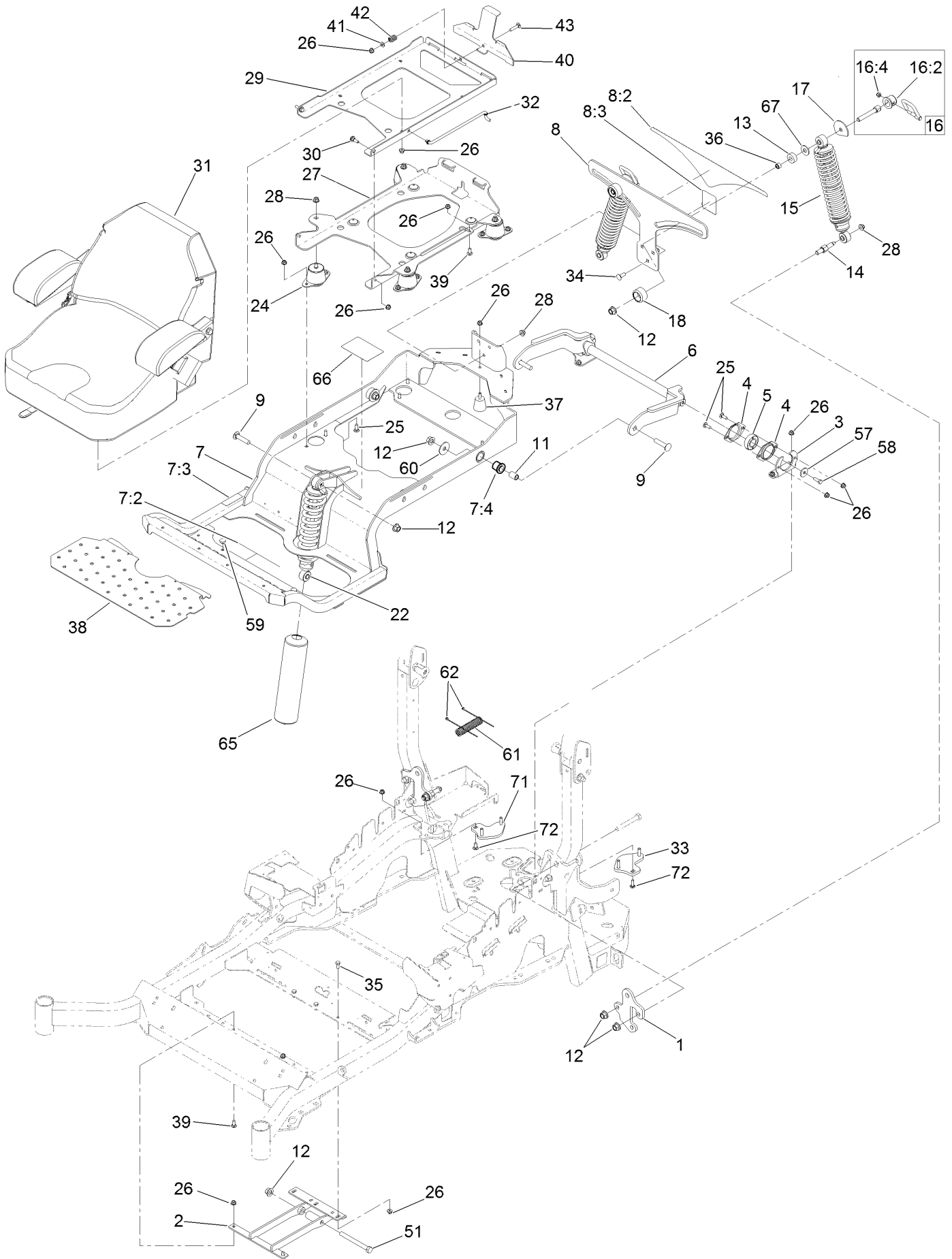
# Rubber Deflector Assembly No. 108-2792



# Rubber Deflector Assembly No. 108-2792 (continued)

<i>Ref.</i>	<i>Part Number</i>	<i>Qty.</i>	<i>Description</i>	<i>Ref.</i>	<i>Part Number</i>	<i>Qty.</i>	<i>Description</i>
1	3231-4	4	Screw-CARR	5	108-4059-01	1	Plate-Hinge, Rear
2	106-3246-01	1	Deflector	6	106-3253-01	1	Plate-Hinge, Front
3	106-3248-03	1	Strap-Discharge	7	104-8301	4	Nut-HF, NI
4	108-5029	1	Deflector-Rubber				

# Suspension Platform Assembly

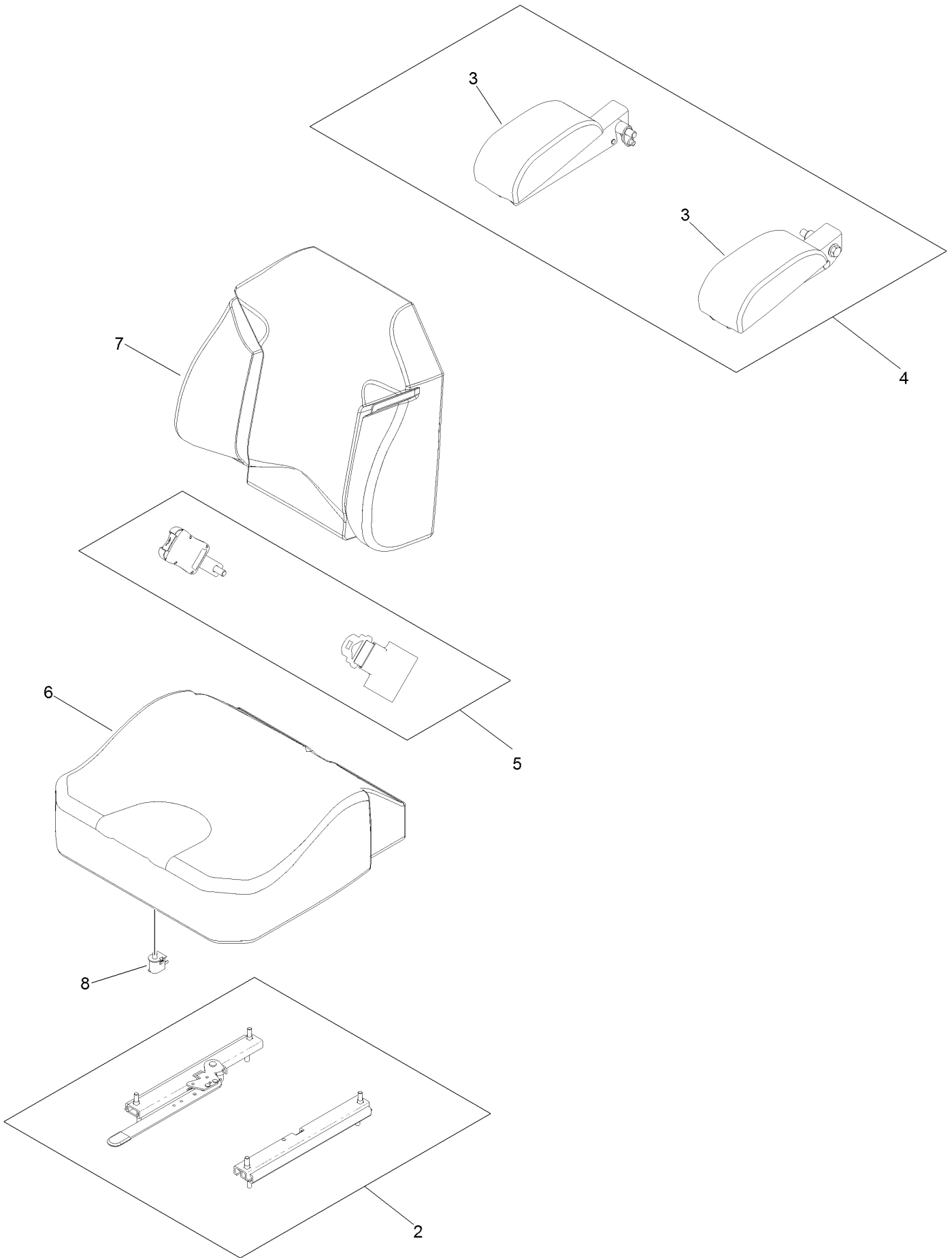




## Suspension Platform Assembly (continued)

<i>Ref.</i>	<i>Part Number</i>	<i>Qty.</i>	<i>Description</i>	<i>Ref.</i>	<i>Part Number</i>	<i>Qty.</i>	<i>Description</i>
1	136-1674-01	2	Plate-Mount, Shock	28	104-8301	9	Nut-HF, NI
2	131-6327-01	1	Mount-Lower	29	116-3859-03	1	Plate-Frame, Seat
3	127-6759-03	2	Bracket-Bearing	30	116-1297	2	Screw-Shoulder
4	127-6743	4	Housing-Bearing, Flange	31	116-0035	1	Seat-Standard
5	1-653346	2	Bearing	32	116-0070	1	Rod-Prop
6	127-6754-03	1	Arm-Trailing	33	127-6766	1	LH Plate ASM (W/Studs)
7	132-5057	1	Subframe ASM	34	3231-22	3	Screw-CARR
7:2	132-0871	1	Decal-Danger	35	322-3	3	Screw-HH
7:3	115-9625	1	Decal-Brake, Parking	36	47-7270	2	Bearing-Needle
7:4	127-6745	2	Bushing-Flange	37	132-5058	1	Bumper-Rubber
8	133-1808	1	Bracket-Mounting	38	132-5089-01	1	Floorpan
8:2	132-5067	1	Decal-Adjustment, Ride	39	3230-23	3	Screw-CARR
8:3	132-5063	1	Decal-Lock, Cam	40	132-5088-03	1	Plate-Latch, Seat
9	127-6768	3	Screw-CARR	41	3256-23	1	Washer-Plain
11	127-6751	2	Spacer-Aluminum	42	107-3017	1	Spring-Compression
12	99-5107	8	Nut-Lock	43	3230-4	1	Bolt-CARR
13	131-8801	2	Spacer	51	325-19	1	Screw-HH
14	131-6348	2	Bolt-Shoulder	57	105-3048	2	Washer-Flat
15	133-1815	2	Shock/Spring ASM	58	116-0648	2	Screw-HH, Thread Locking
16	131-8843	2	Cam Lock ASM	59	1-513658	2	Bumper
16:2	107-1644	1	Cap-Lock	60	86-1990	2	Washer-Thrust
16:4	119-4038	1	Nut-Hex	61	131-8846	1	Cover-Hose
17	131-4646	2	Plate-Stop	62	1-303287	2	Tie-Cable
18	131-4647	2	Knob-Front	65	132-5068	1	Cover-Shock
22	136-8956	1	Shock-Spring	66	125-9383	1	Decal-Service Aid
24	109-9034	4	Isolator-Seat	67	3256-6	2	Washer-Flat
25	3230-10	12	Bolt-CARR	71	127-6765	1	RH Plate ASM (W/Studs)
26	104-8300	32	Nut-HF, NI	72	3230-3	2	Screw-CARR
27	131-6324-03	1	Plate-Support, ISO Seat				

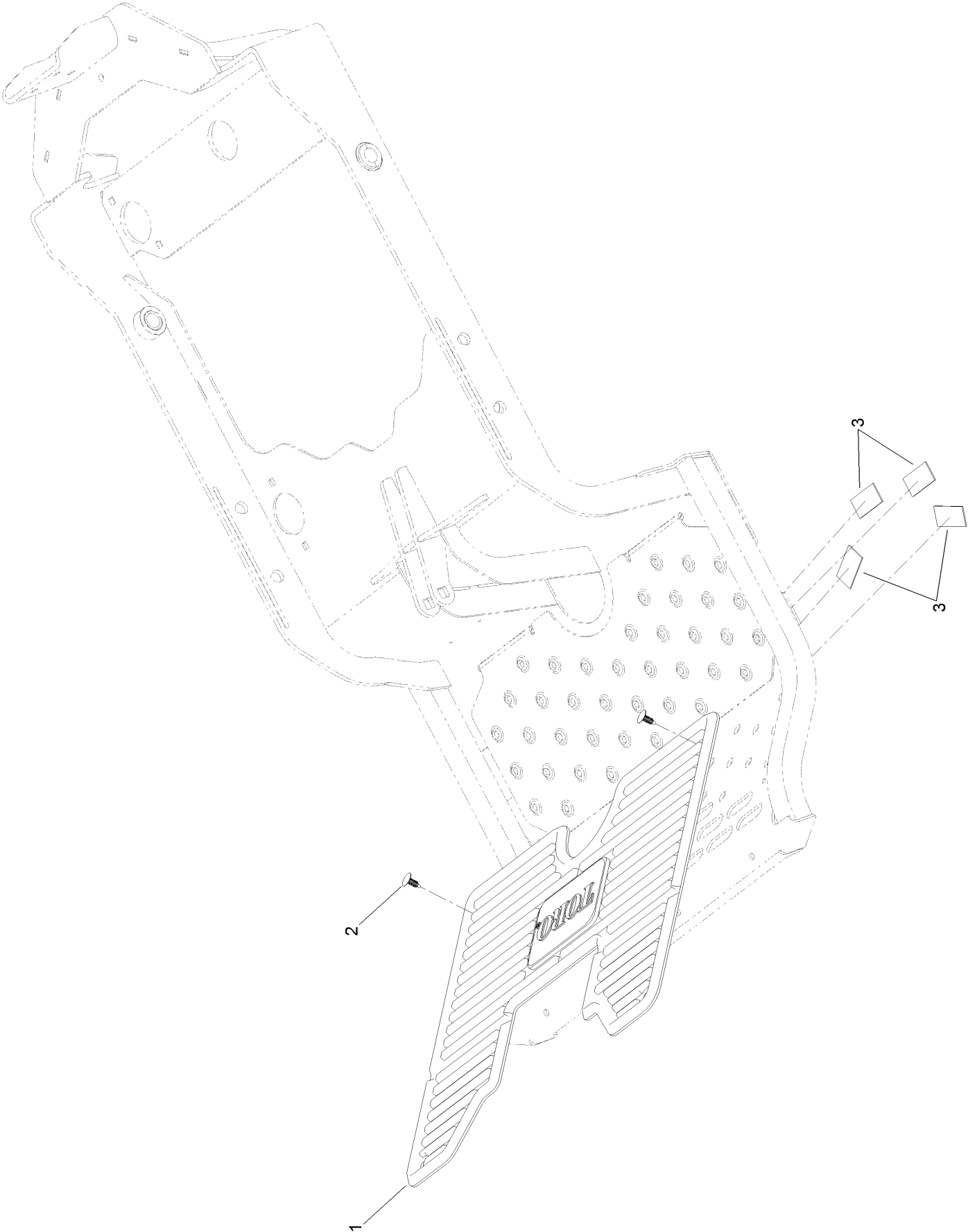
# Seat Assembly No. 116-0035



## Seat Assembly No. 116-0035 (continued)

<i>Ref.</i>	<i>Part Number</i>	<i>Qty.</i>	<i>Description</i>	<i>Ref.</i>	<i>Part Number</i>	<i>Qty.</i>	<i>Description</i>
2	109-9801	1	Seat Track Set	6	109-9806	1	Cover-Cushion
3	109-9802	1	Arm Rest Pad Set	7	109-9808	1	Cover-Back
4	109-9803	1	Arm Rest Set	8	82-2190	1	Switch-Bail
5	109-9805	1	Seat Belt Kit				

# Suspension Platform Rubber Mat Assembly



# Suspension Platform Rubber Mat Assembly (continued)

<i>Ref.</i>	<i>Part Number</i>	<i>Qty.</i>	<i>Description</i>
1	133-1810	1	Mat-Floor
2	117-2382	2	Plug-Plastic
3	130-0733	4	Pad-Rubber

# Attachments and Accessories

## For 75936 Z Master Commercial 3000 Series Riding Mower with 60in TURBO FORCE Side Discharge Mower

<b>Product Name</b>	<b>Model/Part</b>
Blower and Drive Kit .....	78553
E-Z Vac Triple Bagging System .....	78563
E-Z Vac DFS Collection System .....	78567
Recycler Kit .....	115-7468
Operator Controlled Discharge Chute Kit.....	117-3600
Bimini Folding Shade Assembly .....	115-4510
Light Kit.....	116-1154
Hitch Kit .....	109-9487
Trash Holder Kit.....	TC26
Blade-Hi Flow, 20.5in.....	105-7718-03
Blade-Mid Flow, 20.5in .....	105-7715-03
Blade-Lo Flow, 20.5in .....	105-7716-03
Blade-Atomic, 20.5in .....	105-8777-03
Blade-Recycler, 20.5in.....	105-7777-03
6 Pack Blade, 20.5in Hi-Flow .....	108-1114
6 Pack Blade, 20.5in Mid-Flow .....	108-1123
6 Pack-Blade, 20.5in Lo Flow .....	108-1128
6 Pack-Blade, 20.5in Atomic.....	108-1115
6 Pack-Blade, 20.5in Recycler.....	110-0405
Roller Striper Kit.....	115-7470
Seat Cover W/arm rest .....	117-0095
Filter Minder Gauge .....	99-4664
Spark Arrestor Screen .....	75-6880
Anti-Scalp Kit (Trim Side).....	108-4140
Turbo Baffle Kit .....	107-1634
Jack Kit.....	127-6666
MVP Belt and Blade Kit.....	127-1636
Toro Rider Over Seat Bag.....	490-7317
Toro Rider Arm Rest Bag .....	490-7320
Toro Rops Lock Kit.....	126-4064
Jack Mount Kit .....	127-6665
Toro Deluxe Rider Cover.....	490-7319
Hypr-Oil 500 (quart).....	114-4713
Hypr-Oil 500 (gallon).....	114-4714
Hypr-Oil 500-5 (5 gallon).....	114-4715

**Notes:**



**Count on it.**