



Light Kit
TimeCutter® HD Riding Mower
 Model No. 136-7493

Installation Instructions

⚠ WARNING

**CALIFORNIA
 Proposition 65 Warning**

This product contains a chemical or chemicals known to the State of California to cause cancer, birth defects, or reproductive harm.

Safety

Safety and Instructional Decals



Safety decals and instructions are easily visible to the operator and are located near any area of potential danger. Replace any decal that is damaged or missing.



136-9182

decal136-9182

1. Lights



Installation

Loose Parts

Use the chart below to verify that all parts have been shipped.

Description	Qty.	Use
No parts required	–	Prepare the machine.
LED light Front light bracket Thread-forming screw (5/16 x 3/4 inch)—standard platform only Hex-head bolt (5/16 x 3/4 inch) Flange nut (5/16 inch)	1 1 2 1 1	Install the front LED light.
LED light Side light bracket Self-tapping hex washer-head bolt (3/8 x 3/4 inch) Hex-head bolt (5/16 x 3/4 inch) Flange nut (5/16 inch)	1 1 2 1 1	Install the side LED light.
Light switch bracket Self-tapping screw (#10 x 1/2 inch) Rocker switch Light switch decal	1 2 1 1	Install the light switch.
Wire harness Cable tie Magnetic tie-wrap mount	1 6 1	Route the wire harness.
No parts required	–	Route the wire harness overview (for machines with a standard platform).
No parts required	–	Route the wire harness overview (for machines with a MyRide™ platform).
No parts required	–	Test the lights.

Preparing the Machine

1. Park the machine on a level surface.
2. Disengage the blade-control switch.
3. Move the motion-control levers outward to the NEUTRAL-LOCK position.
4. Engage the parking brake.
5. Shut off the engine and remove the key.

Installing the Front LED Light

1. If you have a machine with a **MyRide™ platform**, remove the existing 2 thread-forming screws (5/16 x 3/4) securing the bumper brackets ([Figure 1](#)).

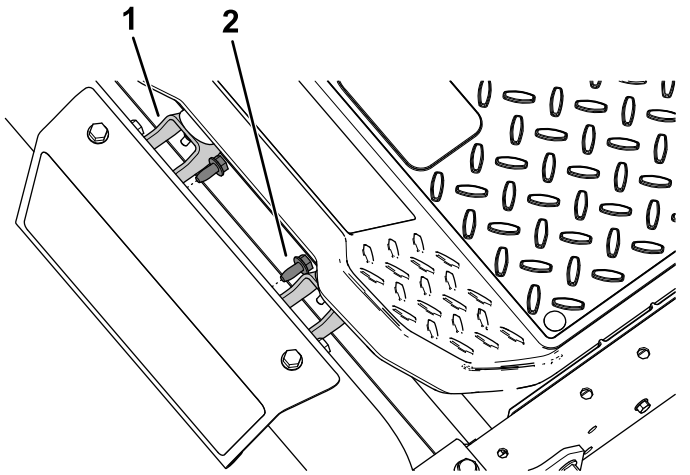


Figure 1

1. Bumper bracket
2. Thread-forming screw (5/16 x 3/4 inch)

2. If you have a machine with a **MyRide™ platform**, install the front light bracket using the previously removed 2 thread-forming screws (5/16 x 3/4) as shown in [Figure 2](#).

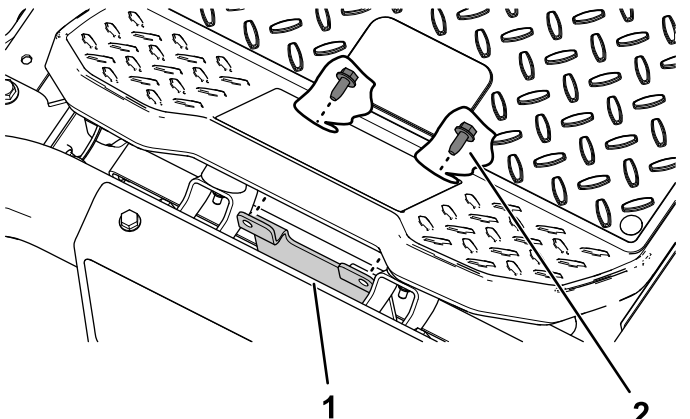


Figure 2

1. Front light bracket
2. Thread-forming screw (5/16 x 3/4 inch)

3. If you have a machine with a **standard platform**, install the front light bracket to the front axle tube using the 2 thread-forming screws (5/16 x 3/4) provided with the kit ([Figure 3](#)).

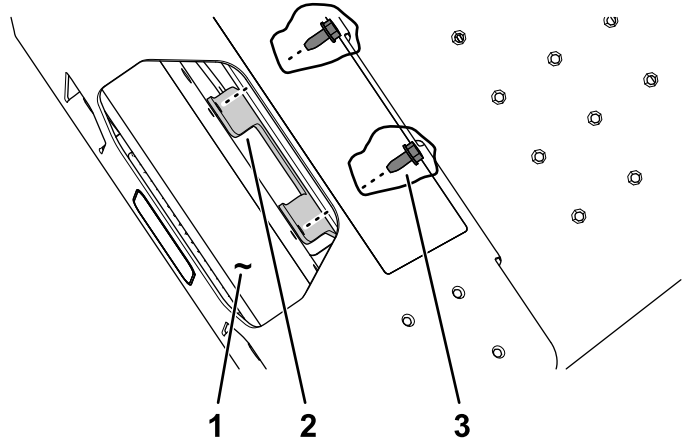


Figure 3

1. Front axle tube
2. Front light bracket
3. Thread-forming screw (5/16 x 3/4 inch)

4. Secure the LED light to the front light bracket using a hex-head bolt (5/16 x 3/4 inch) and flange nut (5/16 inch) as shown in [Figure 4](#).

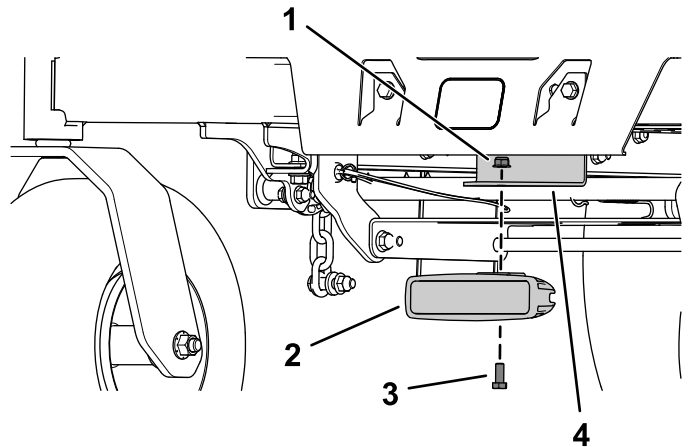


Figure 4

Standard Platform Shown

1. Flange nut (5/16 inch)
2. LED light
3. Hex-head bolt (5/16 x 3/4 inch)
4. Front light bracket

Installing the Side LED Light

1. Secure the side light bracket to the platform using 2 self-tapping hex washer-head bolts as shown in [Figure 5](#).

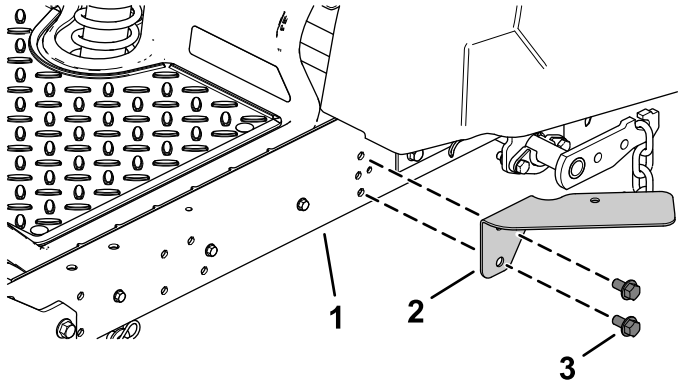


Figure 5

g210264

1. Platform
2. Side light bracket
3. Self-tapping hex washer-head bolt

2. Insert the hex-head bolt (5/16 x 3/4 inch) through the LED light and side light bracket, and secure it with the flange nut (5/16 inch) as shown in [Figure 6](#).

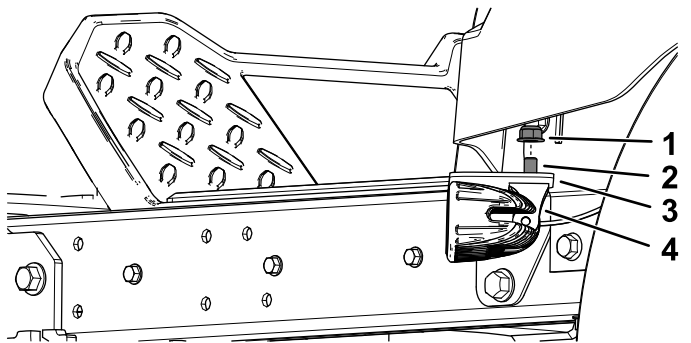


Figure 6

g210263

1. Flange nut (5/16 inch)
2. Hex-head bolt (5/16 x 3/4 inch)
3. Side light bracket
4. LED light

Install the Light Switch

1. Install the light switch bracket using the 2 self-tapping screws (#10 x 1/2 inch) as shown in [Figure 7](#).

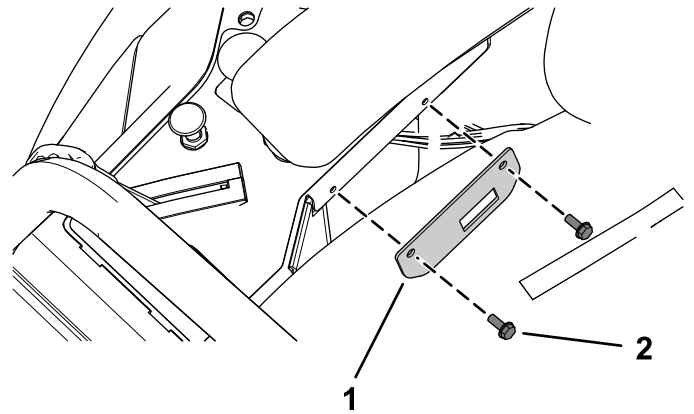


Figure 7

g210324

1. Light switch bracket
2. Self-tapping screw (#10 x 1/2 inch)

2. Insert the rocker switch into the light switch bracket ([Figure 8](#)).
3. Apply the light switch decal to the light switch bracket ([Figure 8](#)).

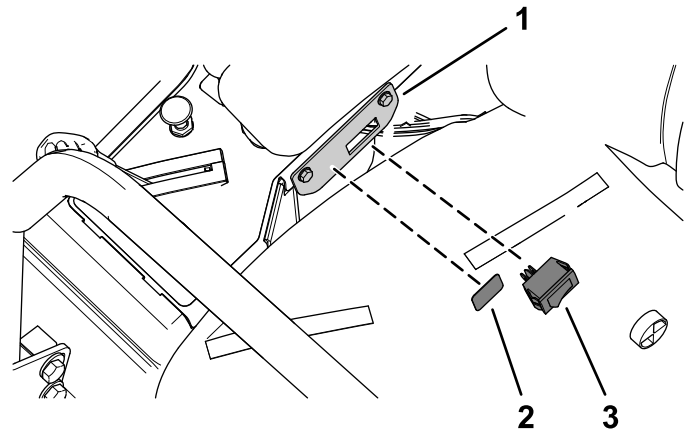


Figure 8

g210323

1. Light switch bracket
2. Light switch decal
3. Rocker switch

4. Connect the wire-harness connector to the back of the rocker switch.

Routing the Wire Harness

1. Beginning from the left side, route the wire harness next to the fuel tank, along the main machine wire harness (Figure 9).
2. Continue routing the wire harness underneath the seat plate, moving toward the controls (Figure 10).
3. Continue routing the wire harness toward the controls (Figure 10).
4. Secure the wire harness to the main machine wire harness using 4 cable ties as shown in Figure 9 and Figure 10.
5. Connect the side light wire-harness lead to the connector on the wire harness for the light kit (Figure 10).

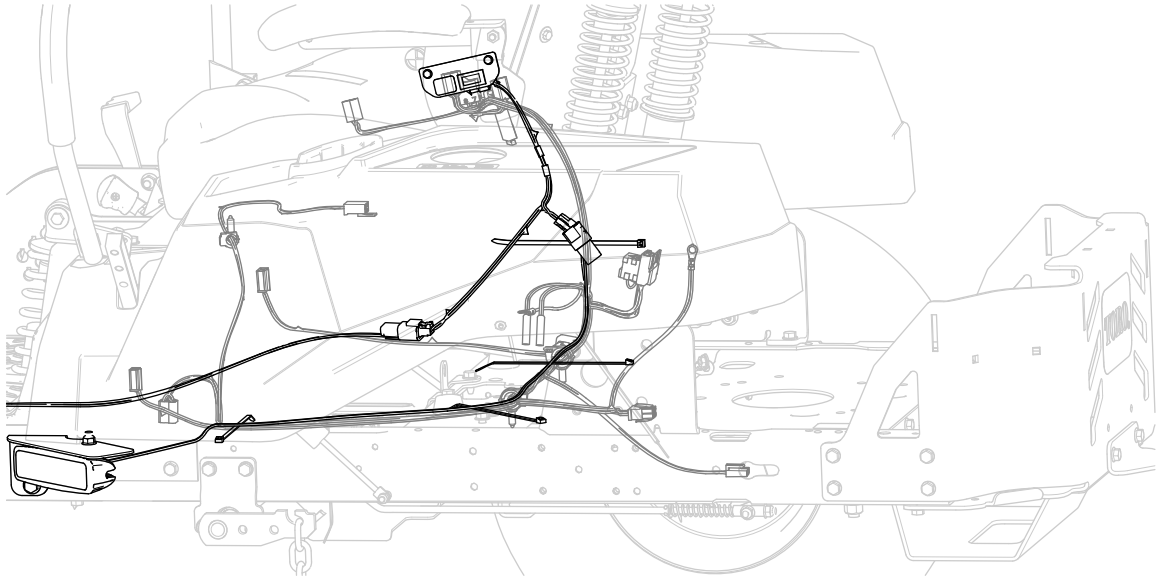


Figure 9

g210690

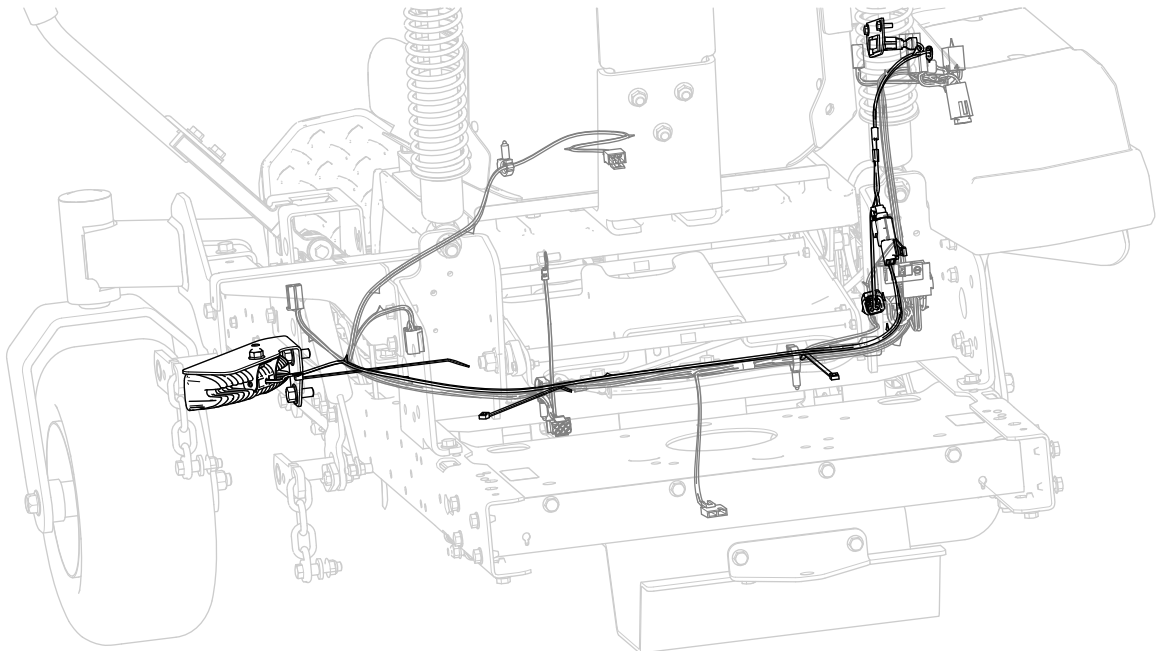


Figure 10

g210692

- From the front of the machine, route the wire harness along the right side of the machine and attach the magnetic tie-wrap mount to the right pivot plate (Figure 11).

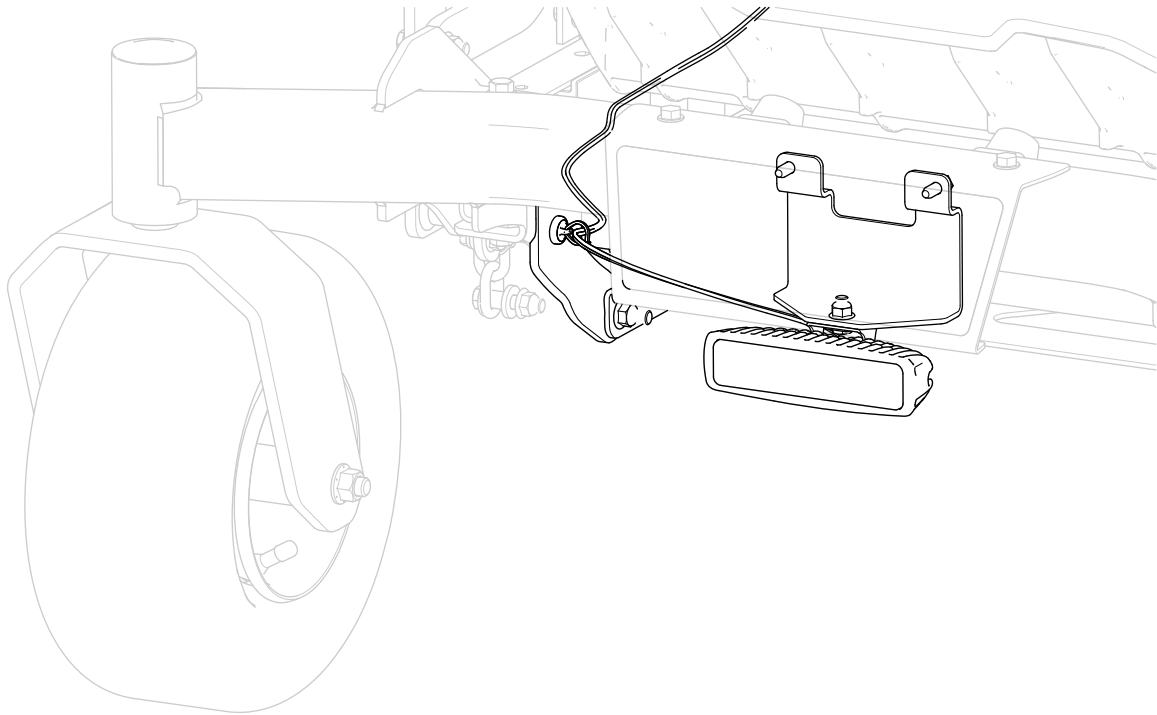


Figure 11

g210473

- Continue to route the wire harness along the right side of the machine and secure the wire harness to the lift plate using 2 cable ties (Figure 12).

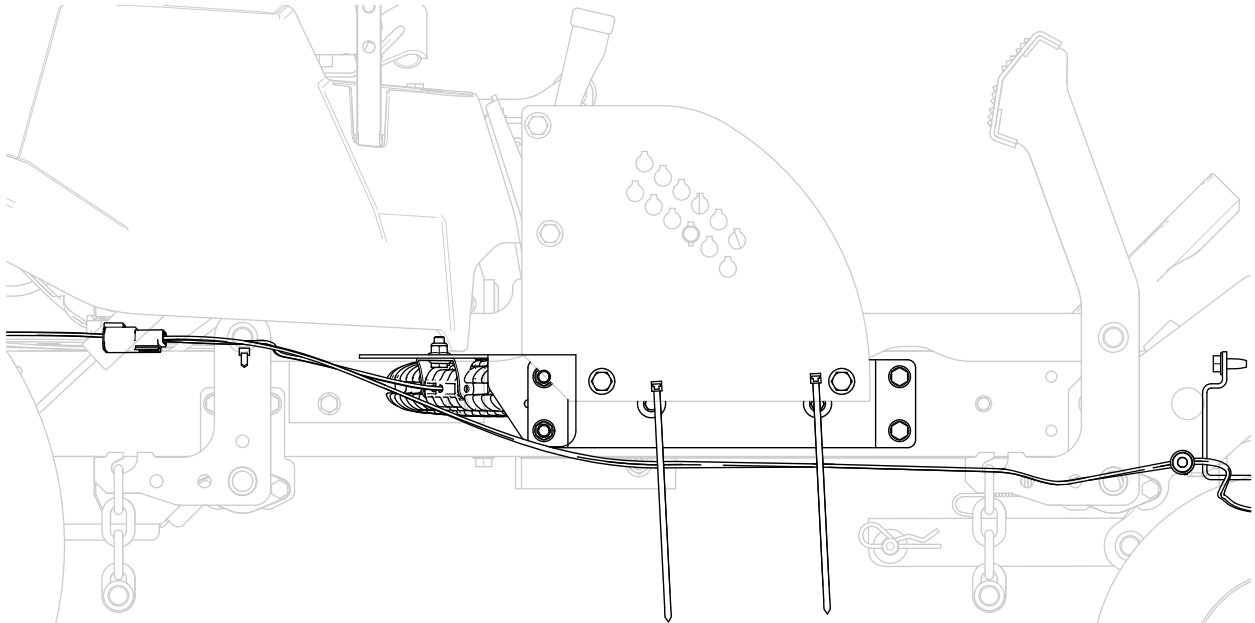


Figure 12

g210474

8. Route the wire harness between the right box control plate and the right deck-lift lever (Figure 13).

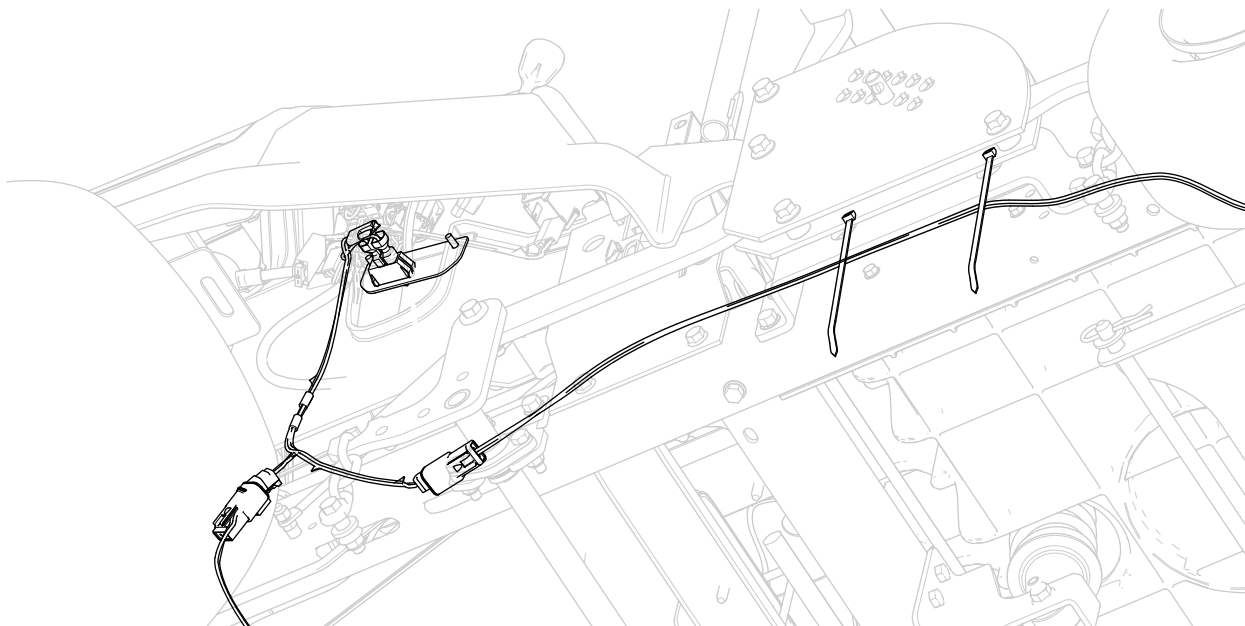


Figure 13

g210691

-
9. Connect the front light wire-harness lead to the connector on the wire harness for the light kit (Figure 13).

Routing the Wire Harness Overview

For Machines with a Standard Platform

Use [Figure 14](#) as an overview for routing the wire harness on a standard platform.

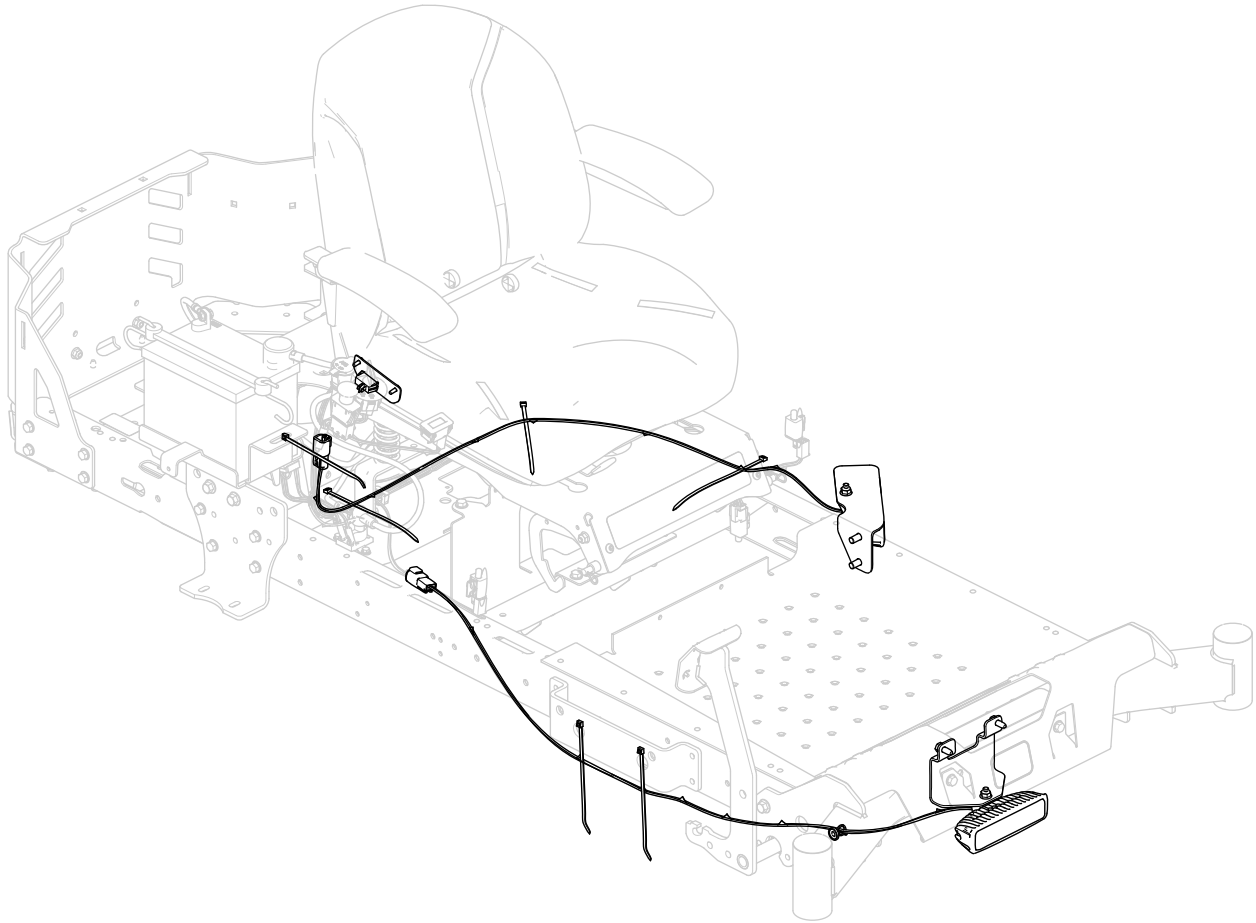


Figure 14

g210213

Routing the Wire Harness Overview

For Machines with a MyRide™ Platform

Use [Figure 15](#) as an overview for routing the wire harness on a MyRide™ platform.

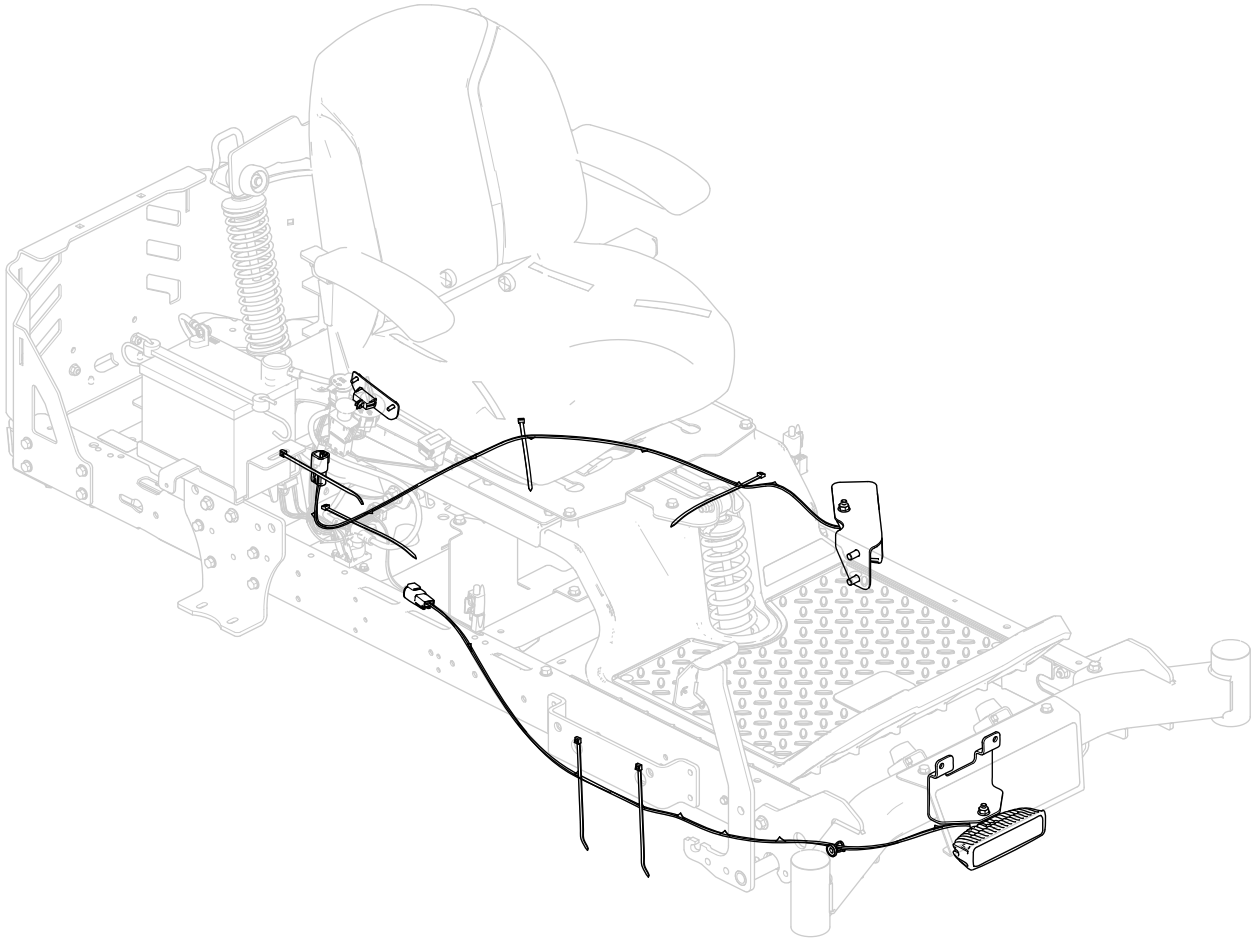


Figure 15

g210212

Testing the Lights

1. Turn the key switch to the RUN position.
2. Test the light switch and verify that the lights are operating correctly.
3. If necessary, adjust the lights so that the light casts as desired.
4. Tighten all loose fasteners to complete the installation.

Notes:



Count on it.