



# Small or Large Bedrack Mount Grip Kit

## Workman® GTX Utility Vehicle

Model No. 136-6311

Model No. 136-6312

### Installation Instructions

#### ▲ WARNING

##### CALIFORNIA Proposition 65 Warning

This product contains a chemical or chemicals known to the State of California to cause cancer, birth defects, or reproductive harm.

**Important:** You can install the Small or Large Bedrack Mount Grip Kit on any area of the Bed Rack Kit (Toro Part No. 07031) or on the cargo bed.

## Preparing the Machine

1. Park the machine on a level surface.
2. Engage the parking brake.
3. Shut off the engine and remove the key.

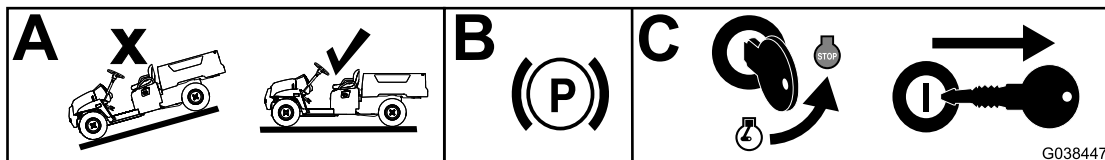


Figure 1

g038447



# Installing the Bedrack Mount Grip Kit

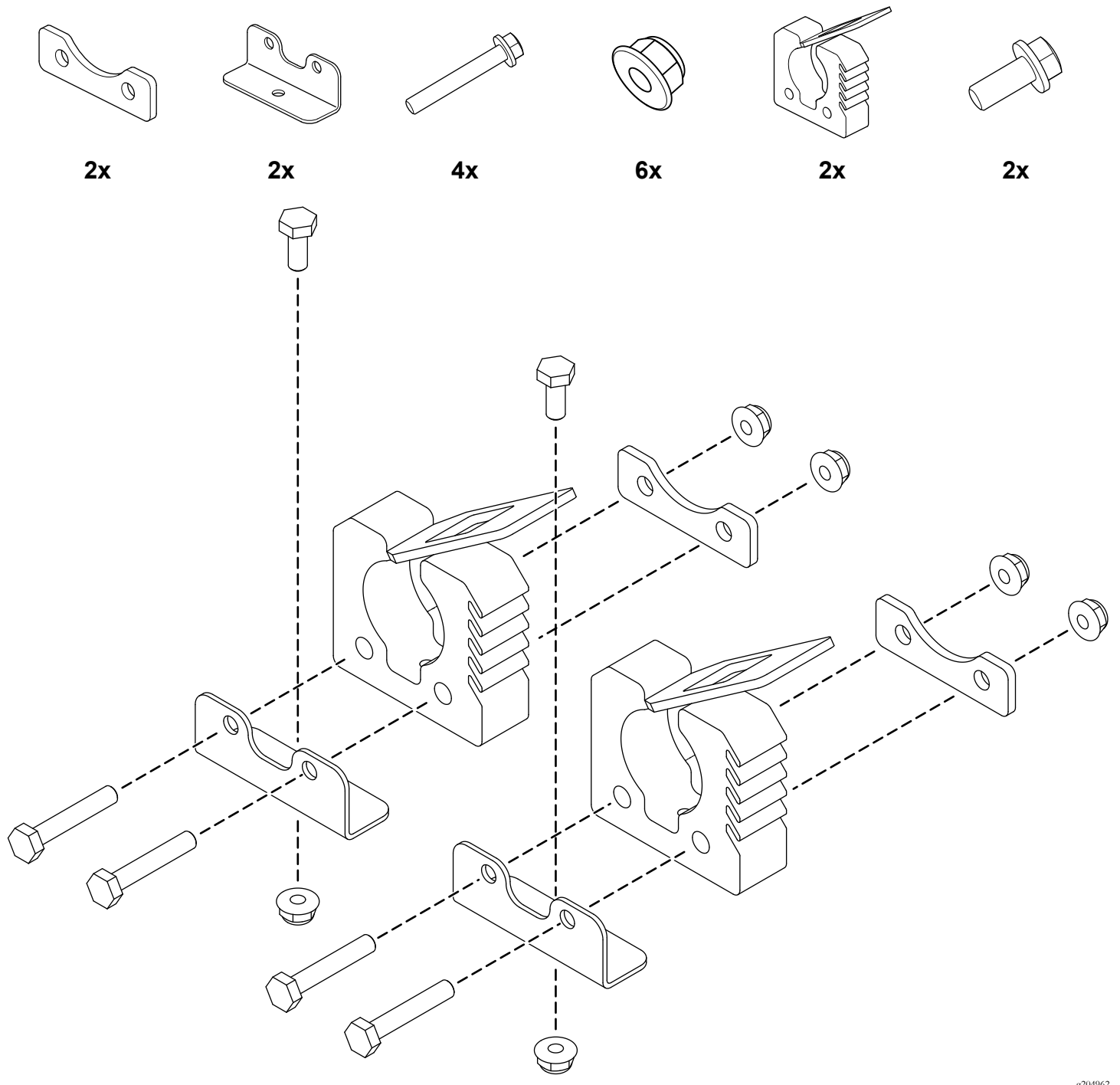


Figure 2

g204962