

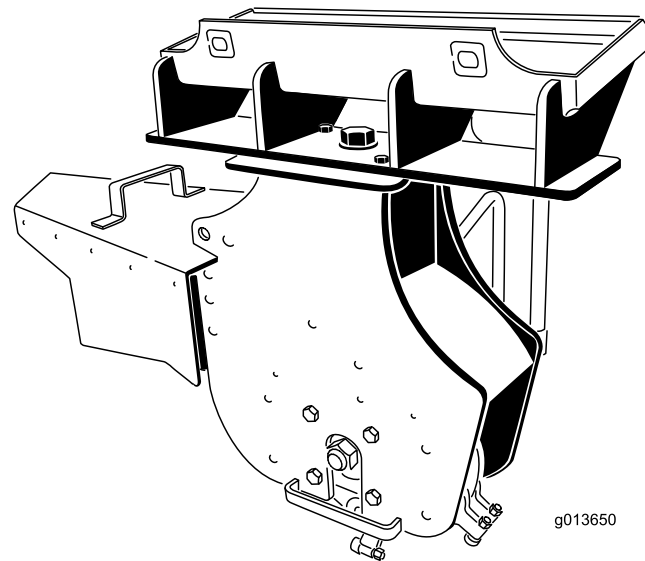


**Count on it.**

**Operator's Manual**

**Stump Grinder  
Compact Utility Loaders**

Model No. 22429—Serial No. 315000001 and Up



g013650



## ⚠ WARNING

### CALIFORNIA Proposition 65 Warning

This product contains a chemical or chemicals known to the State of California to cause cancer, birth defects, or reproductive harm.

Use of this product may cause exposure to chemicals known to the State of California to cause cancer, birth defects, or other reproductive harm.

This product complies with all relevant European directives. For details, please see the Declaration of Incorporation (DOI) at the back of this publication.

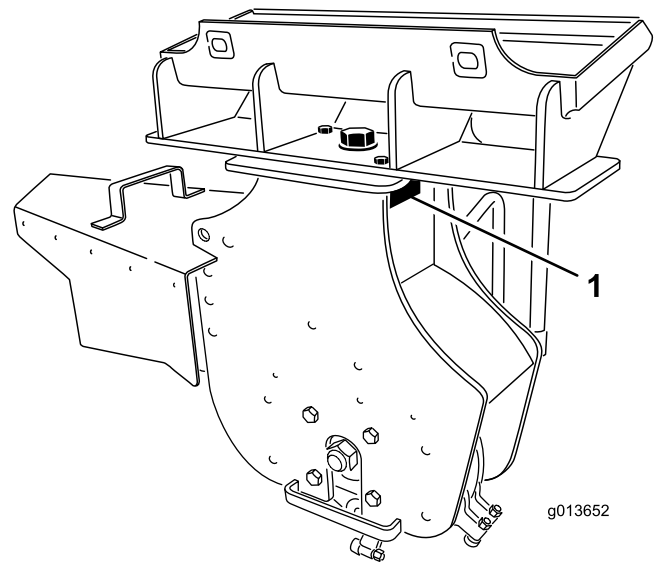
## Introduction

This machine is designed for use on Toro compact utility loaders to grind and remove tree stumps and surface roots. It is not intended to cut rock or any other material other than wood and the soil around a stump.

Read this information carefully to learn how to operate and maintain your product properly and to avoid injury and product damage. You are responsible for operating the product properly and safely.

You may contact Toro directly at [www.Toro.com](http://www.Toro.com) for product safety and operation training materials, accessory information, help finding a dealer, or to register your product.

Whenever you need service, genuine Toro parts, or additional information, contact an Authorized Service Dealer or Toro Customer Service and have the model and serial numbers of your product ready. [Figure 1](#) identifies the location of the model and serial numbers on the product. Write the numbers in the space provided.



**Figure 1**

1. Model and serial number location

Model No. \_\_\_\_\_  
Serial No. \_\_\_\_\_

This manual identifies potential hazards and has safety messages identified by the safety alert symbol ([Figure 2](#)), which signals a hazard that may cause serious injury or death if you do not follow the recommended precautions.



**Figure 2**

1. Safety alert symbol

This manual uses 2 words to highlight information. **Important** calls attention to special mechanical information and **Note** emphasizes general information worthy of special attention.

# Contents

Safety .....	3
Stability Ratings.....	5
Safety and Instructional Decals .....	5
Setup .....	6
1 Assembling the Operator Shield.....	6
2 Installing the Chip Guard.....	8
Product Overview .....	8
Specifications .....	8
Attachments/Accessories.....	8
Operation .....	9
Grinding Stumps.....	9
Grinding Roots .....	10
Transporting the Stump Grinder on a Trailer .....	10
Operating Tips .....	10
Maintenance .....	11
Recommended Maintenance Schedule(s) .....	11
Greasing the Machine .....	11
Replacing the Teeth .....	12
Storage .....	12
Troubleshooting .....	13

# Safety

Improper use or maintenance by the operator or owner can result in injury. To reduce the potential for injury, comply with these safety instructions and those in the traction unit *Operator's Manual*. Always pay attention to the safety alert symbol, which means *Caution, Warning, or Danger*—personal safety instruction. Failure to comply with the instruction may result in personal injury or death.

## **⚠ DANGER**

There may be buried power, gas, and/or telephone lines in the work area. Shock or explosion may occur if you dig into them.

Have the property or work area marked for buried lines and do not dig in marked areas. Contact your local marking service or utility company to have the property marked (for example, in the United States, call 811 for the nationwide marking service).

## **⚠ DANGER**

The stump grinder is solely designed and tested for use grinding stumps less than 91 cm (36 inch) tall. Any other uses may cause a hazardous situation resulting in injury or death to you or bystanders.

Only use the stump grinder for grinding stumps less than 91 cm (36 inch) tall.

## **⚠ WARNING**

When the engine is off, attachments in the raised position can gradually lower. Someone nearby may be pinned or injured by the attachment as it lowers.

Always lower the attachment lift each time you shut off the traction unit.

## **⚠ WARNING**

During operation, debris will fly in all directions and can cause injury to eyes and other exposed body parts.

- Never operate the stump grinder without the shield installed on the traction unit and the chip guard on the grinder.
- Wear personal protective gear during operation.
- Keep all bystanders at least 9 m (30 feet) away from the work area.

## **⚠ WARNING**

When going up or down hill, the machine could overturn if the heavy end is toward the downhill side. Someone may be pinned or seriously injured by the machine if it overturns.

Operate up and down slopes with the heavy end of the machine uphill. This attachment will make the front end heavy.

## **⚠ WARNING**

If you do not fully seat the attachment locking pins in the attachment mount plate holes, the attachment could fall off of the traction unit severely injuring the operator or bystanders.

- Ensure that you fully seat the attachment locking pins through the holes in the attachment mount plate before lifting the attachment.
- Ensure that the attachment mount plate is free of any dirt or debris that may hinder the connection of the traction unit to the attachment.
- Refer to your traction unit *Operator's Manual* for detailed information on safely connecting an attachment to your traction unit.

## **⚠ WARNING**

Lightning can cause severe injury or death. If lightning is seen or thunder is heard in the area, do not operate the machine; seek shelter.

## **⚠ CAUTION**

Hydraulic fluid escaping under pressure can penetrate skin and cause injury. Fluid injected into the skin must be surgically removed within a few hours by a doctor familiar with this form of injury or gangrene may result.

- Keep your body and hands away from pin hole leaks or nozzles that eject high pressure hydraulic fluid.
- Use cardboard or paper to find hydraulic leaks, never use your hands.

## **⚠ CAUTION**

Hydraulic couplers, hydraulic lines/valves, and hydraulic fluid may be hot and can burn you if you touch them.

- Wear gloves when operating the hydraulic couplers.
- Allow the traction unit to cool before touching hydraulic components.
- Do not touch hydraulic fluid spills.

# Stability Ratings

To determine the degree of slope you can traverse with the stump grinder installed on a traction unit, find the stability rating for the hill position you want to travel in the appropriate table below, then find the degree of slope for the same rating and hill position in the Stability Data section of the traction unit *Operator's Manual*.



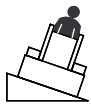
## ⚠ WARNING

Exceeding the maximum recommended slope can cause the traction unit to tip, crushing you or bystanders.

Do not drive the traction unit on a slope steeper than the maximum recommended slope, as determined in the following tables and the traction unit *Operator's Manual*.

**Important:** If you have a traction unit other than a TX compact utility loader, do not use the counterweight

on the traction unit when using the stump grinder. If you use the counterweight, the traction unit will be less stable in the front and side uphill positions.

Orientation	Stability Rating
<b>Front Uphill</b> 	<b>D</b>
<b>Rear Uphill</b> 	<b>C</b>
<b>Side Uphill</b> 	<b>C</b>

# Safety and Instructional Decals



Safety decals and instructions are easily visible to the operator and are located near any area of potential danger. Replace any decal that is damaged or lost.



93-7321

decal93-7321

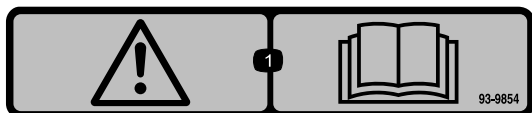
1. Cutting/dismemberment hazard of hands and feet, rotating knives/blades—stay away from moving parts.



107-9366

decal107-9366

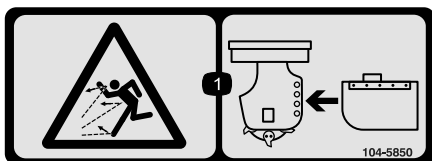
1. Thrown object hazard—keep bystanders a safe distance from the machine.



93-9854

decal93-9854

1. Warning—read the *Operator's Manual*.



104-5850

decal104-5850

1. Thrown object hazard—do not operate without the chip guard properly installed.

# Setup

## Loose Parts

Use the chart below to verify that all parts have been shipped.

Procedure	Description	Qty.	Use
1	Right shield bracket	1	Assemble the operator shield.
	Left shield bracket	1	
	Self-tapping screw (5/16 x 3/4 inch)	4	
	Shield support	2	
	Shield	1	
	Bolt (1/4 x 1-1/2 inch)	6	
	Washer	6	
	Locknut (1/4 inch)	6	
	TX bracket mounting template	1	
2	Chip guard	1	Install the chip guard.
	Guard pin	1	
	Hairpin cotter	1	

# 1

## Assembling the Operator Shield

### Parts needed for this procedure:

1	Right shield bracket
1	Left shield bracket
4	Self-tapping screw (5/16 x 3/4 inch)
2	Shield support
1	Shield
6	Bolt (1/4 x 1-1/2 inch)
6	Washer
6	Locknut (1/4 inch)
1	TX bracket mounting template

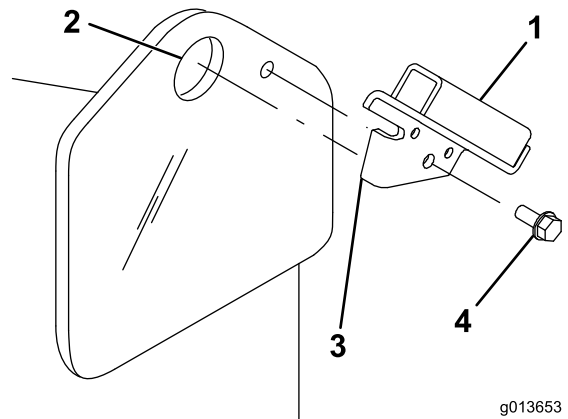


Figure 3

- |                    |                       |
|--------------------|-----------------------|
| 1. Shield bracket  | 3. Tab                |
| 2. Lift-point hole | 4. Self-tapping screw |

- Secure the bracket to the frame with a self-tapping screw (Figure 3).
- Repeat steps 1 and 2 for the other side of the traction unit.

## Installing the Shield Bracket on a 200 or 300 Series Traction Unit

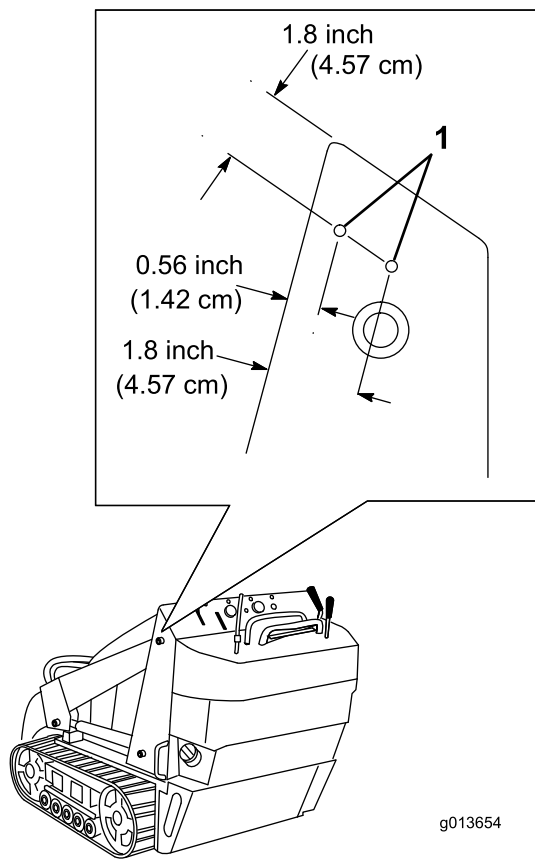
- Insert the tab on the shield bracket into the lift point hole on the traction unit, with the hole in the bracket aligning with the small hole in the traction unit frame (Figure 3).

**Note:** There is a right and left bracket. Ensure that you install the correct bracket on each side. The tab should be in the lift point hole and the bracket should be on the outside of the frame (Figure 3).

## Installing the Shield Bracket on a TX Traction Unit

- Measure in from the edges of the frame as illustrated in Figure 4 and mark the locations of the holes for mounting the shield bracket.

**Note:** If the holes exist, skip to step 3.

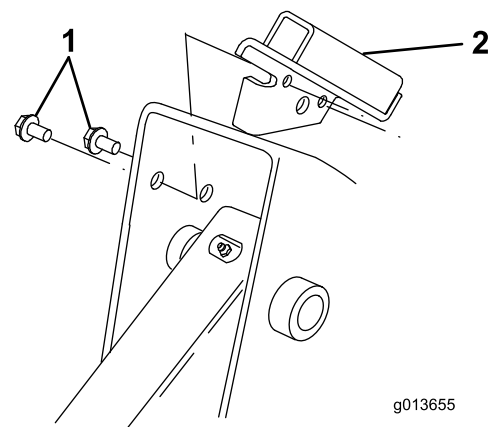


**Figure 4**

1. Mounting holes

2. Drill a hole (5/16 inch diameter) through the frame at each marked location.
3. Align the tab on the shield bracket with the front edge of the frame with the bracket inside of the loader arm pocket (Figure 5).

**Note:** There is a right and left bracket. Ensure that you install the correct bracket on each side. The tab should be over the frame edge and the bracket should be inside the loader arm pocket with the 2 smaller holes in the bracket lined up with the holes you drilled in the frame (Figure 5).



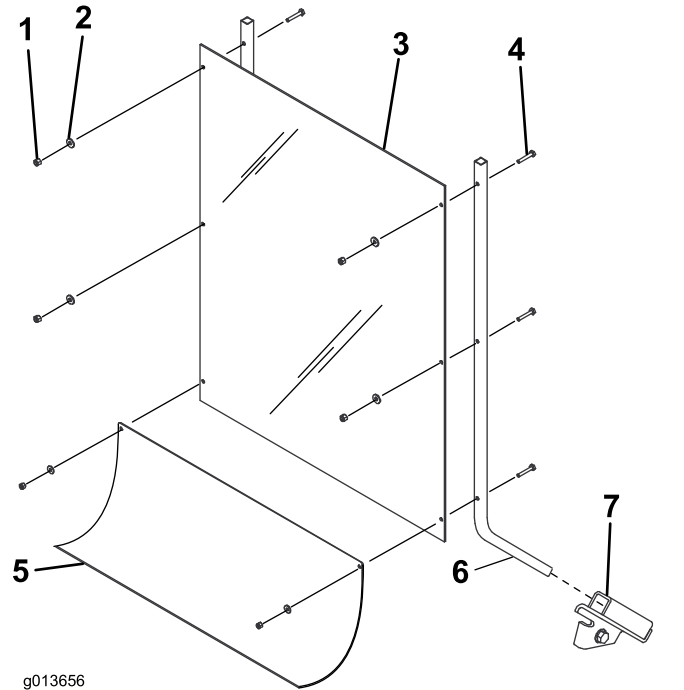
**Figure 5**

1. Self-tapping screw
2. Shield bracket

4. Secure the bracket to the frame with 2 self-tapping screws as illustrated in Figure 5.
5. Repeat steps 1 through 4 for the other side of the traction unit.

## Assembling the Shield

1. Slide the shield supports into the pockets in the shield brackets on the traction unit (Figure 6).



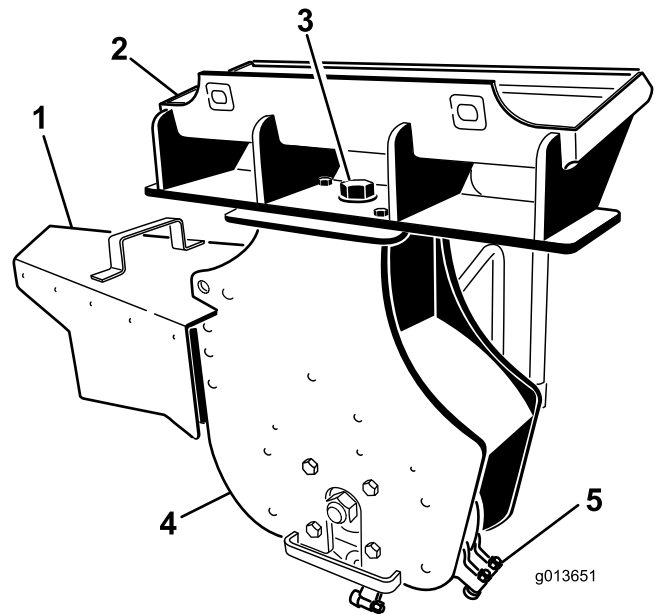
**Figure 6**

1. Locknut
2. Washer
3. Shield
4. Bolt
5. Skirt
6. Shield support
7. Shield bracket

- Assemble the shield and flexible skirt to the shield supports as illustrated in [Figure 6](#), using 6 bolts (1/4 x 1-1/2 inch), washers, and locknuts (1/4 inch).

**Note:** The skirt should drape over the engine or hood.

# Product Overview



**Figure 8**

- Chip guard
- Mounting plate
- Pivot bolt
- Stump grinding head
- Teeth

# 2

## Installing the Chip Guard

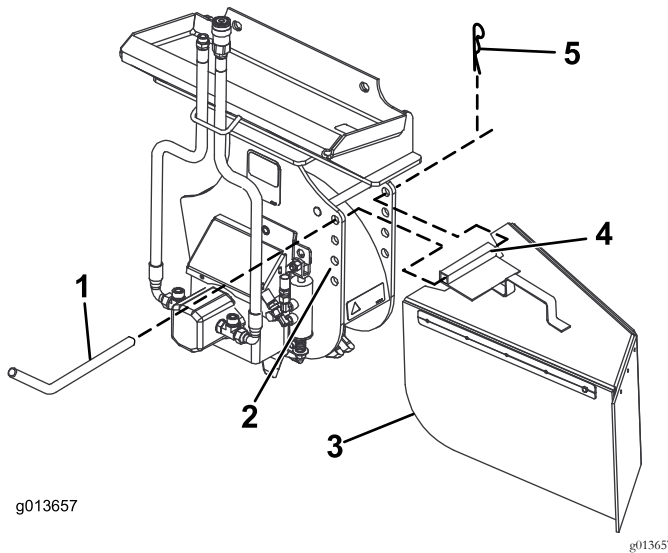
**Parts needed for this procedure:**

1	Chip guard
1	Guard pin
1	Hairpin cotter

### Procedure

The stump grinder has 4 sets of mounting holes for positioning the chip guard ([Figure 7](#)). Move the guard up (upper holes) when you are grinding close to the ground and down (lower holes) when you are chipping tall stumps. Install the chip guard as follows:

- Position the mounting tube on the guard between 2 holes on the grinder ([Figure 7](#)).



**Figure 7**

- Guard pin
- Mounting holes
- Chip guard
- Mounting tube
- Hairpin cotter

- Slide the guard pin through the holes in the grinder and the mounting tube ([Figure 7](#)).
- Secure the pin with a hairpin cotter ([Figure 7](#)).

## Specifications

**Note:** Specifications and design are subject to change without notice.

Width, with chip guard	112 cm (44 inches)
Width, without chip guard	66 cm (26 inches)
Length	51 cm (20 inches)
Height	79 cm (31 inches)
Weight	120 Kg (265 lb)

## Attachments/Accessories

A selection of Toro approved attachments and accessories is available for use with the machine to enhance and expand its capabilities. Contact your Authorized Service Dealer or Distributor or go to [www.Toro.com](http://www.Toro.com) for a list of all approved attachments and accessories.



# Operation

## ⚠ WARNING

During operation, debris will fly in all directions and can cause injury to eyes and other exposed body parts.

- Never operate the stump grinder without the shield installed on the traction unit and the chip guard on the grinder.
- Wear personal protective gear during operation.
- Keep all bystanders at least 30 feet (9 m) away from the work area.

Refer to your traction unit *Operator's Manual* for more information on installing and removing attachments on your traction unit.

**Important:** Always use the traction unit to lift and move the attachment.

## Grinding Stumps

1. If your traction unit has a speed selector, set it to the Slow (turtle) position.
2. Start the engine.
3. Pull the auxiliary hydraulics lever to the operator grip to engage the stump grinder.
4. Position the grinder on the left side and behind the stump (Figure 9).

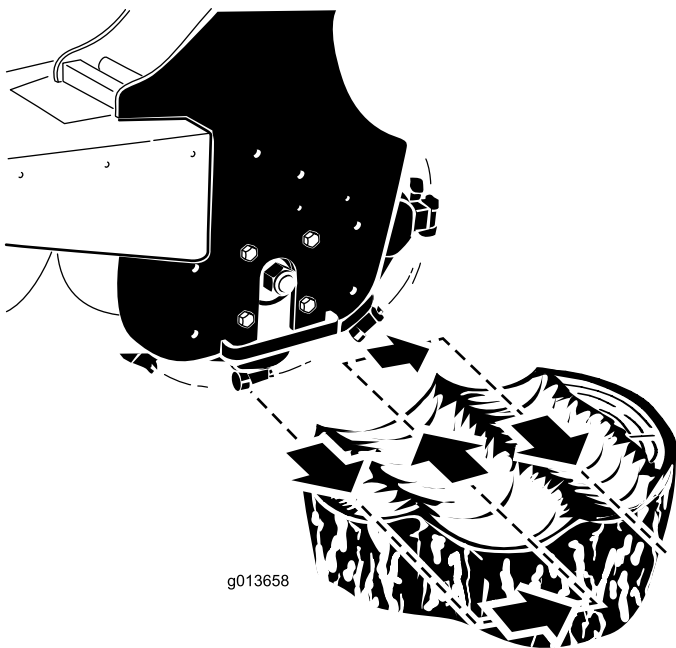


Figure 9

5. Swing the grinder toward you using the attachment tilt lever, grinding at a depth of 0.5 to 5 cm (1/4 to 2 inches), depending on the hardness of the wood (Figure 9).

**Note:** If you take too deep of a cut, the grinder will stall. If it stalls, raise it slightly and try again.

6. Swing the grinder back out (Figure 9), lower it 0.5 to 5 cm (1/4 to 2 inches) and repeat steps 4 through 6 until you have ground down a few inches.
7. Raise the loader arms to the original height.
8. Move the grinder to the right (Figure 9).
9. Repeat steps 4 through 8 until you reach the right side of the stump.
10. Return the grinder to the left side of the stump, lower it, and repeat steps 3 through 10 until you have ground the stump into the ground.

**Note:** To contain the chips, you may need to stop the grinder and move the chip guard up as you move the grinder down.

11. When finished, stop the grinder by moving the auxiliary hydraulics lever into neutral.

## Grinding Roots

1. Stop the grinder and hang it vertically from the loader arms a few centimeters (inches) off the ground.
2. Stop the engine and remove the key.
3. Loosen the large bolt on the top of the grinder (Figure 10).

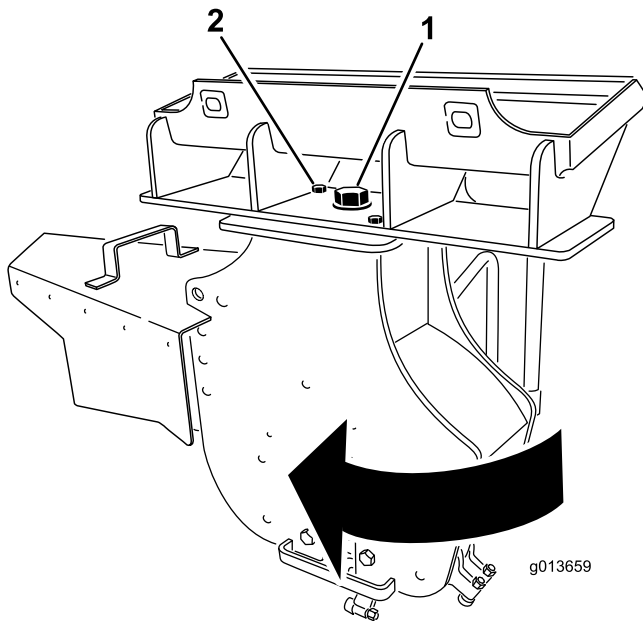


Figure 10

1. Large bolt—loosen
2. Front bolt—remove

4. Remove the front bolt and nut securing the grinder (Figure 10).
5. Swing the grinder 30 degrees clockwise (Figure 10).
6. Torque the large bolt on top of the grinder to 406 N-m (300 ft-lb) (Figure 10)
7. Install the bolt and nut in the front hole and torque them to 101 N-m (75 ft-lb) (Figure 10).
8. Start the traction unit and start the grinder.
9. Lower the grinder into the root.
10. Move the grinder along the length of the root by moving the traction unit over the root.
11. When finished, stop the grinder by moving the auxiliary hydraulics lever into neutral.
12. Loosen the large bolt on the top of the grinder (Figure 10).
13. Remove the front bolt and nut securing the grinder (Figure 10).
14. Swing the grinder 30 degrees counter-clockwise (Figure 10).
15. Torque the large bolt on top of the grinder to 406 N-m (300 ft-lb) (Figure 10).
16. Install the bolt and nut in the front hole and torque them to 101 N-m (75 ft-lb) (Figure 10).

## Transporting the Stump Grinder on a Trailer

Place the attachment on a trailer or truck capable of carrying it. Securely tie it to the trailer or truck using tie straps appropriate for the weight of the attachment and for highway use.

**Important:** Remove the operator's shield before transporting the traction unit to avoid damage to the shield of the traction unit.

## Operating Tips

- Always use full throttle (maximum engine speed).
- Never transport the attachment with the loader arms raised. Keep the arms lowered and the attachment tilted up.
- If your traction unit has a speed selector (present on some wheeled traction units), set it to the slow (turtle position).
- If your traction unit has a flow divider (present on some wheeled traction units), adjust it to approximately the 10 o'clock position.

# Maintenance

## Recommended Maintenance Schedule(s)

Maintenance Service Interval	Maintenance Procedure
Before each use or daily	<ul style="list-style-type: none"><li>• Grease the machine.</li><li>• Check the condition of the teeth and rotate or replace any that are worn or damaged.</li></ul>
Before storage	<ul style="list-style-type: none"><li>• Grease the machine.</li><li>• Paint chipped surfaces.</li></ul>

### ⚠ CAUTION

If you leave the key in the ignition switch, someone could start the engine. Accidental starting of the engine could seriously injure you or bystanders.

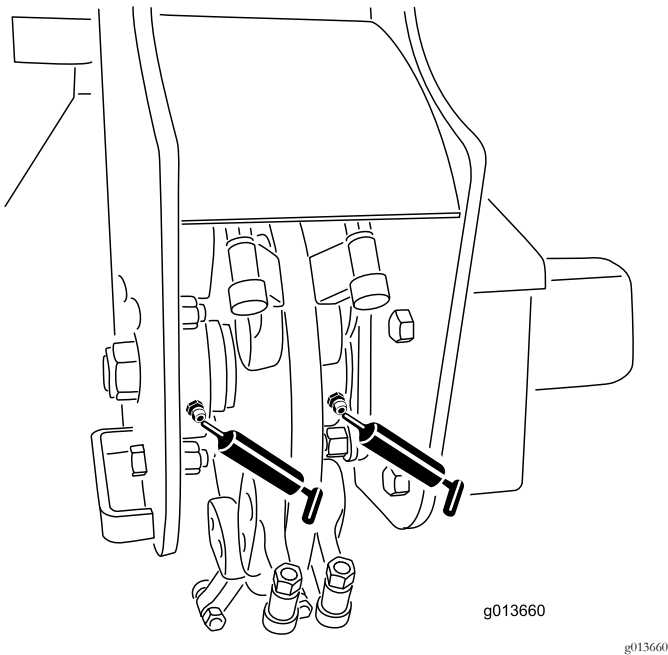
Remove the key from the ignition switch before you do any maintenance.

## Greasing the Machine

**Service Interval:** Before each use or daily

Before storage

Grease 2 fittings, as shown in [Figure 11](#), every day and immediately after every washing.



**Figure 11**

Grease Type: General-purpose grease

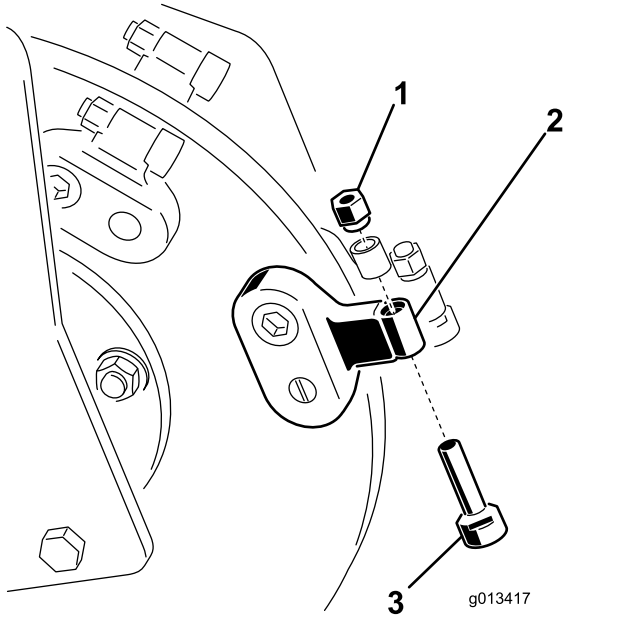
1. Stop the engine and remove the key.
2. Clean the grease fittings with a rag.
3. Connect a grease gun to each fitting.
4. Pump grease into the fittings until grease begins to ooze out of the bearings.
5. Wipe up any excess grease.

# Replacing the Teeth

**Service Interval:** Before each use or daily—Check the condition of the teeth and rotate or replace any that are worn or damaged.

Due to the high amount of wear placed on the teeth, you will need to rotate and replace them periodically.

Each tooth is indexed with three positions so you can rotate it twice, exposing a new sharp edge before replacing the tooth. To rotate a tooth, loosen the nut securing the tooth (Figure 12). Push the tooth forward and rotate it one third of a turn, bringing an unused edge to the outside. Torque the nut securing the tooth to 37 to 45 N-m (27 to 33 ft-lb).



**Figure 12**

(Your grinder's appearance may vary from that shown in the illustration)

- 1. Nut
- 2. Tooth holder
- 3. Tooth

To replace a tooth, remove the nut securing the tooth to remove it, then install a new tooth and nut in the same position (Figure 12). Torque the nut securing the tooth to 37 to 45 N-m (27 to 33 ft-lb).

# Storage

1. Before long term storage, brush the dirt from the attachment.
2. Check the condition of the teeth. Turn or replace any worn or damaged teeth.
3. Check and tighten all bolts, nuts, and screws. Repair or replace any part that is damaged or worn.
4. Ensure that all hydraulic couplers are connected together to prevent contamination of the hydraulic system.
5. Paint all scratched or bare metal surfaces. Paint is available from your Authorized Service Dealer.
6. Store the attachment in a clean, dry garage or storage area. Cover it to protect it and keep it clean.

# Troubleshooting

Problem	Possible Cause	Corrective Action
Cutting disk stops during cutting.	<ol style="list-style-type: none"> <li>1. Too deep of a cut.</li> <li>2. Teeth worn, damaged, or broken.</li> </ol>	<ol style="list-style-type: none"> <li>1. Raise the loader arms 13 mm (1/2 inch).</li> <li>2. Rotate or replace any worn, damaged, or broken teeth.</li> </ol>
The cutting disk does not turn.	<ol style="list-style-type: none"> <li>1. A hydraulic coupler is not completely connected.</li> <li>2. A hydraulic coupler is damaged.</li> <li>3. There is an obstruction in a hydraulic hose.</li> <li>4. An auxiliary valve on the traction unit is not opening.</li> <li>5. Hydraulic motor or chain drive failure.</li> </ol>	<ol style="list-style-type: none"> <li>1. Check and tighten all couplers.</li> <li>2. Check/replace couplers.</li> <li>3. Find and remove the obstruction.</li> <li>4. Repair the valve.</li> <li>5. Contact your Authorized Service Dealer.</li> </ol>
The grinder does not cut fast enough.	<ol style="list-style-type: none"> <li>1. Worn teeth.</li> <li>2. Wrong setting on flow divider and speed lever (applicable wheeled units only).</li> <li>3. There is a restriction in a quick coupler or hose.</li> <li>4. The hydraulic system is too hot.</li> <li>5. The relief valve is set below specifications.</li> </ol>	<ol style="list-style-type: none"> <li>1. Rotate or replace any worn teeth.</li> <li>2. Set the flow divider to the 10:00 position and the speed lever to the turtle position.</li> <li>3. Check the hoses and couplers and repair any problems found.</li> <li>4. Shutdown and allow the system to cool.</li> <li>5. Contact your Authorized Service Dealer.</li> </ol>
The cutting disk turns in the wrong direction	<ol style="list-style-type: none"> <li>1. The auxiliary valve lever is in the wrong position.</li> <li>2. The hydraulic hoses are reversed.</li> </ol>	<ol style="list-style-type: none"> <li>1. Move the auxiliary valve lever to the rearward position.</li> <li>2. Disconnect hoses and switch positions.</li> </ol>

# Declaration of Incorporation

The Toro Company, 8111 Lyndale Avenue South, Bloomington, MN, USA declares that the following unit(s) conform(s) to the directives listed, when installed in accordance with the accompanying instructions onto certain Toro models as indicated on the relevant Declarations of Conformity.

Model No.	Serial No.	Product Description	Invoice Description	General Description	Directive
22429	315000001 and Up	Stump Grinder	STUMP GRINDER ATTACHMENT CE	Stump Grinder	2006/42/EC

Relevant technical documentation has been compiled as required per Part B of Annex VII of 2006/42/EC.

We will undertake to transmit, in response to requests by national authorities, relevant information on this partly completed machinery. The method of transmission shall be electronic transmittal.

This machinery shall not be put into service until incorporated into approved Toro models as indicated on the associated Declaration of Conformity and in accordance with all instructions, whereby it can be declared in conformity with all relevant Directives.

Certified:



Joe Hager  
Sr. Engineering Manager  
8111 Lyndale Ave. South  
Bloomington, MN 55420, USA  
February 4, 2015

EU Technical Contact:

Marcel Dutrieux  
Manager European Product Integrity  
Toro Europe NV  
Nijverheidsstraat 5  
2260 Oevel  
Belgium  
Tel. +32 16 386 659

## International Distributor List

Distributor:	Country:	Phone Number:	Distributor:	Country:	Phone Number:
Agrolanc Kft	Hungary	36 27 539 640	Maquiver S.A.	Colombia	57 1 236 4079
Balama Prima Engineering Equip.	Hong Kong	852 2155 2163	Maruyama Mfg. Co. Inc.	Japan	81 3 3252 2285
B-Ray Corporation	Korea	82 32 551 2076	Mountfield a.s.	Czech Republic	420 255 704 220
Casco Sales Company	Puerto Rico	787 788 8383	Mountfield a.s.	Slovakia	420 255 704 220
Ceres S.A.	Costa Rica	506 239 1138	Munditol S.A.	Argentina	54 11 4 821 9999
CSSC Turf Equipment (pvt) Ltd.	Sri Lanka	94 11 2746100	Norma Garden	Russia	7 495 411 61 20
Cyril Johnston & Co.	Northern Ireland	44 2890 813 121	Oslinger Turf Equipment SA	Ecuador	593 4 239 6970
Cyril Johnston & Co.	Republic of Ireland	44 2890 813 121	Oy Hako Ground and Garden Ab	Finland	358 987 00733
Equiver	Mexico	52 55 539 95444	Parkland Products Ltd.	New Zealand	64 3 34 93760
Femco S.A.	Guatemala	502 442 3277	Perfetto	Poland	48 61 8 208 416
ForGarder OU	Estonia	372 384 6060	Pratoverde SRL.	Italy	39 049 9128 128
G.Y.K. Company Ltd.	Japan	81 726 325 861	Prochaska & Cie	Austria	43 1 278 5100
Geomechaniki of Athens	Greece	30 10 935 0054	RT Cohen 2004 Ltd.	Israel	972 986 17979
Golf international Turizm	Turkey	90 216 336 5993	Riversa	Spain	34 9 52 83 7500
Guandong Golden Star	China	86 20 876 51338	Lely Turfcare	Denmark	45 66 109 200
Hako Ground and Garden	Sweden	46 35 10 0000	Solvart S.A.S.	France	33 1 30 81 77 00
Hako Ground and Garden	Norway	47 22 90 7760	Spypros Stavrinides Limited	Cyprus	357 22 434131
Hayter Limited (U.K.)	United Kingdom	44 1279 723 444	Surge Systems India Limited	India	91 1 292299901
Hydroturf Int. Co Dubai	United Arab Emirates	97 14 347 9479	T-Markt Logistics Ltd.	Hungary	36 26 525 500
Hydroturf Egypt LLC	Egypt	202 519 4308	Toro Australia	Australia	61 3 9580 7355
Irrimac	Portugal	351 21 238 8260	Toro Europe NV	Belgium	32 14 562 960
Irrigation Products Int'l Pvt Ltd.	India	0091 44 2449 4387	Valtech	Morocco	212 5 3766 3636
Jean Heybroek b.v.	Netherlands	31 30 639 4611	Victus Emak	Poland	48 61 823 8369

### European Privacy Notice

#### The Information Toro Collects

Toro Warranty Company (Toro) respects your privacy. In order to process your warranty claim and contact you in the event of a product recall, we ask you to share certain personal information with us, either directly or through your local Toro company or dealer.

The Toro warranty system is hosted on servers located within the United States where privacy law may not provide the same protection as applies in your country.

**BY SHARING YOUR PERSONAL INFORMATION WITH US, YOU ARE CONSENTING TO THE PROCESSING OF YOUR PERSONAL INFORMATION AS DESCRIBED IN THIS PRIVACY NOTICE.**

#### The Way Toro Uses Information

Toro may use your personal information to process warranty claims, to contact you in the event of a product recall and for any other purpose which we tell you about. Toro may share your information with Toro's affiliates, dealers or other business partners in connection with any of these activities. We will not sell your personal information to any other company. We reserve the right to disclose personal information in order to comply with applicable laws and with requests by the appropriate authorities, to operate our systems properly or for our own protection or that of other users.

#### Retention of your Personal Information

We will keep your personal information as long as we need it for the purposes for which it was originally collected or for other legitimate purposes (such as regulatory compliance), or as required by applicable law.

#### Toro's Commitment to Security of Your Personal Information

We take reasonable precautions in order to protect the security of your personal information. We also take steps to maintain the accuracy and current status of personal information.

#### Access and Correction of your Personal Information

If you would like to review or correct your personal information, please contact us by email at [legal@toro.com](mailto:legal@toro.com).

### Australian Consumer Law

Australian customers will find details relating to the Australian Consumer Law either inside the box or at your local Toro Dealer.



# The Toro Underground Warranty

Underground  
Equipment

## A Limited Warranty

### Conditions and Products Covered

The Toro Company and its affiliate, Toro Warranty Company, pursuant to an agreement between them, jointly warrant your Toro Underground Equipment ("Product") to be free from defects in materials or workmanship. Where a warrantable condition exists, we will repair the Product at no cost to you including diagnostics, labor, and parts. The following warranty applies from the date the Product is delivered to the original retail purchaser or rental owner.

#### Products

Engine Powered Units & Fluid Mixers

All Serialized Attachments

Rock Hammer

Engines

#### Warranty Period

1 year or 1000 operating hours, whichever occurs first

1 year

6 months

Through engine manufacturers: 2 years or 2000 operating hours, whichever occurs first

drive, or track chains, track pads, drive sprockets, idlers, rollers, blades, cutting edges, or other ground engaging components.

- Failures caused by outside influence. Conditions considered to be outside influence include, but are not limited to, weather, storage practices, contamination, use of unapproved fuels, coolants, lubricants, additives, water, or chemicals, etc.
- Failure or performance issues due to the use of fuels (e.g. gasoline, diesel, or biodiesel) that do not conform to their respective industry standards.
- Normal noise, vibration, wear and tear, and deterioration.
- Normal "wear and tear" includes, but is not limited to, damage to seats due to wear or abrasion, worn painted surfaces, scratched decals, etc.
- Hauling expenses, travel time, mileage, or overtime associated with transporting product to the authorized Toro dealer.

### Instructions for Obtaining Warranty Service

You are responsible for notifying the Underground Dealer from whom you purchased the Product as soon as you believe a warrantable condition exists. If you need help locating a Underground Dealer, or if you have questions regarding your warranty rights or responsibilities, you may contact us at:

Toro Customer Care  
Toro Warranty Company  
8111 Lyndale Avenue South  
Bloomington, MN 55420-1196  
Toll Free at 855-493-0088 (U.S. Customers)  
1-952-948-4318 (International Customers)

### Owner Responsibilities

As the Product owner, you are responsible for required maintenance and adjustments stated in your *Operator's Manual*. Failure to perform required maintenance and adjustments can be grounds for disallowing a warranty claim.

### Items and Conditions Not Covered

Not all product failures or malfunctions that occur during the warranty period are defects in materials or workmanship. This warranty does not cover the following:

- Product failures which result from the use of non-Toro replacement parts, or from installation and use of add-on, or modified non-Toro branded accessories and products. A separate warranty may be provided by the manufacturer of these items.
- Product failures which result from failure to perform recommended maintenance and/or adjustments. Failure to properly maintain your Toro product per the Recommended Maintenance listed in the *Operator's Manual* can result in claims for warranty being denied.
- Product failures which result from operating the Product in an abusive, negligent, or reckless manner.
- Parts subject to consumption through use unless found to be defective. Examples of parts which are consumed, or used up, during normal Product operation include, but are not limited to: brakes, filters, lights, bulbs, belts, tracks or tires, digging teeth, digging booms, digging,

### Parts

Parts scheduled for replacement as required maintenance in the *Operator's Manual*, are warranted for the period of time up to the scheduled replacement time for that part. Parts replaced under this warranty are covered for the duration of the original product warranty and become the property of Toro. Toro will make the final decision whether to repair any existing part or assembly or replace it. Toro may use remanufactured parts for warranty repairs.

### Maintenance is at Owner's Expense

Engine tune-up, lubrication, cleaning and polishing, replacement of filters, coolant, and completing recommended maintenance are some of the normal services Toro products require that are at the owner's expense.

### General Conditions

Repair by an Authorized Toro Underground Dealer is your sole remedy under this warranty.

**Neither The Toro Company nor Toro Warranty Company is liable for indirect, incidental or consequential damages in connection with the use of the Toro Products covered by this warranty, including any cost or expense of providing substitute equipment or service during reasonable periods of malfunction or non-use pending completion of repairs under this warranty. Except for the Emissions warranty referenced below, if applicable, there is no other express warranty. All implied warranties of merchantability and fitness for use are limited to the duration of this express warranty.**

Some states do not allow exclusions of incidental or consequential damages, or limitations on how long an implied warranty lasts, so the above exclusions and limitations may not apply to you. This warranty gives you specific legal rights, and you may also have other rights which vary from state to state.

### Note regarding engine warranty:

The Emissions Control System on your Product may be covered by a separate warranty meeting requirements established by the U.S. Environmental Protection Agency (EPA) and/or the California Air Resources Board (CARB). The hour limitations set forth above do not apply to the Emissions Control System Warranty. Refer to the Engine Emission Control Warranty Statement supplied with your product or contained in the engine manufacturer's documentation for details.

### Countries Other than the United States or Canada

Customers who have purchased Toro products exported from the United States or Canada should contact their Toro Distributor (Dealer) to obtain guarantee policies for your country, province, or state. If for any reason you are dissatisfied with your Underground Dealer's service or have difficulty obtaining guarantee information, contact the Toro importer.

**Australian Consumer Law:** Australian customers will find details relating to the Australian Consumer Law either inside the box or at your local Toro Dealer.