



Count on it.

Parts Catalog

TimeMaster 30in Lawn Mower

Model No. 20200—Serial No. 312008662 and Up



Ordering Replacement Parts

To order replacement parts, please supply the part number, the quantity, and the description of each part desired.

Understanding Reference Numbers

Each identified part in an illustration has a reference number. The reference number for a part also appears in the parts list, along with other information about the part.

This catalog uses two special reference number formats, one to indicate parts in a service assembly and another to indicate the quantity of a given part in an illustration.

Service Assembly Reference Numbers

Parts in service assemblies have reference numbers in the form a:b. The a represents the reference number of the entire service assembly and the b represents a sequential number unique to each part within the service assembly.

For example, a wheel assembly might be identified by reference number 6, the tire by 6:1, the valve by 6:2, and the wheel by 6:3. When you order the assembly identified by reference number 6, you receive all parts identified by reference numbers 6:1, 6:2, and 6:3. However, you may also order any part individually. Reference numbers of this type appear in illustration and in parts lists.

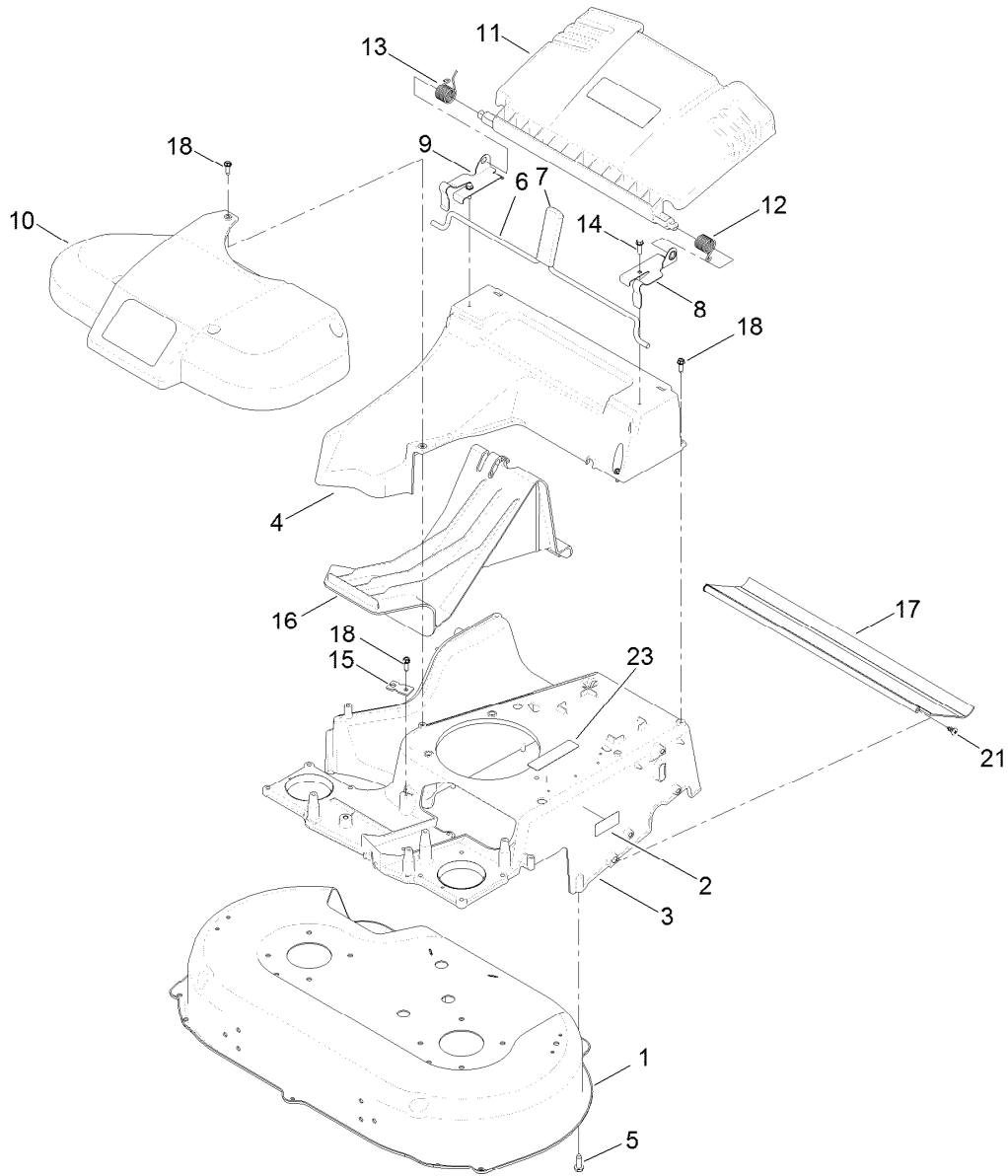
Reference Numbers Indicating Quantity

In an illustration, if a reference number indicates more than one part, the reference number has the form nX y. The n represents the quantity of the part, the X is the multiplication symbol, and the y represents the reference number.

For example, in an illustration, the reference number 2X 37 means that two of the parts identified by reference number 37 are indicated.

Contents

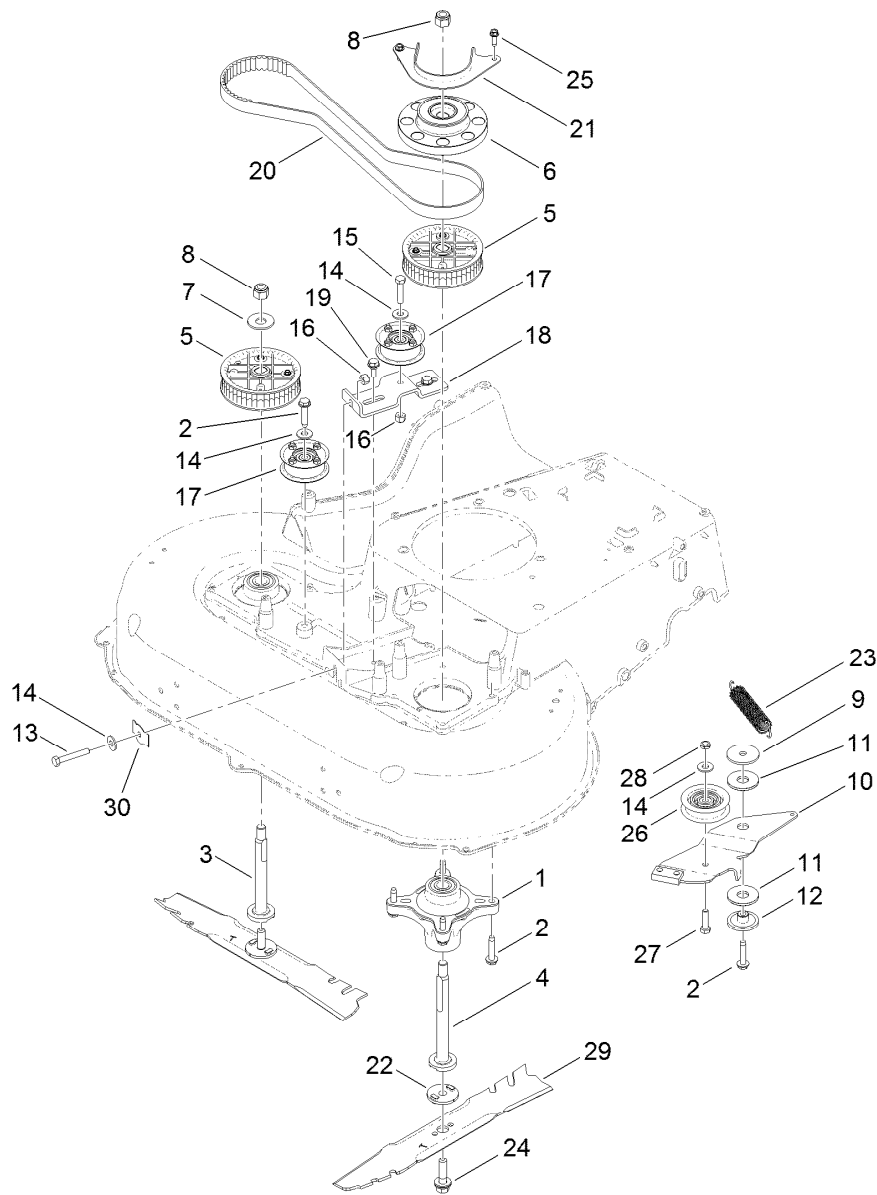
Deck and Frame Assembly	4
Belt, Spindle and Blade Assembly	5
Side Discharge Chute Assembly	6
Bag Assembly	7
Engine and Pulley Assembly	8
Front Wheel and Axle Assembly	9
Handle Assembly	10
Transmission, Rear Wheel and Height-of-Cut Assembly	12
Attachments and Accessories	13



Deck and Frame Assembly

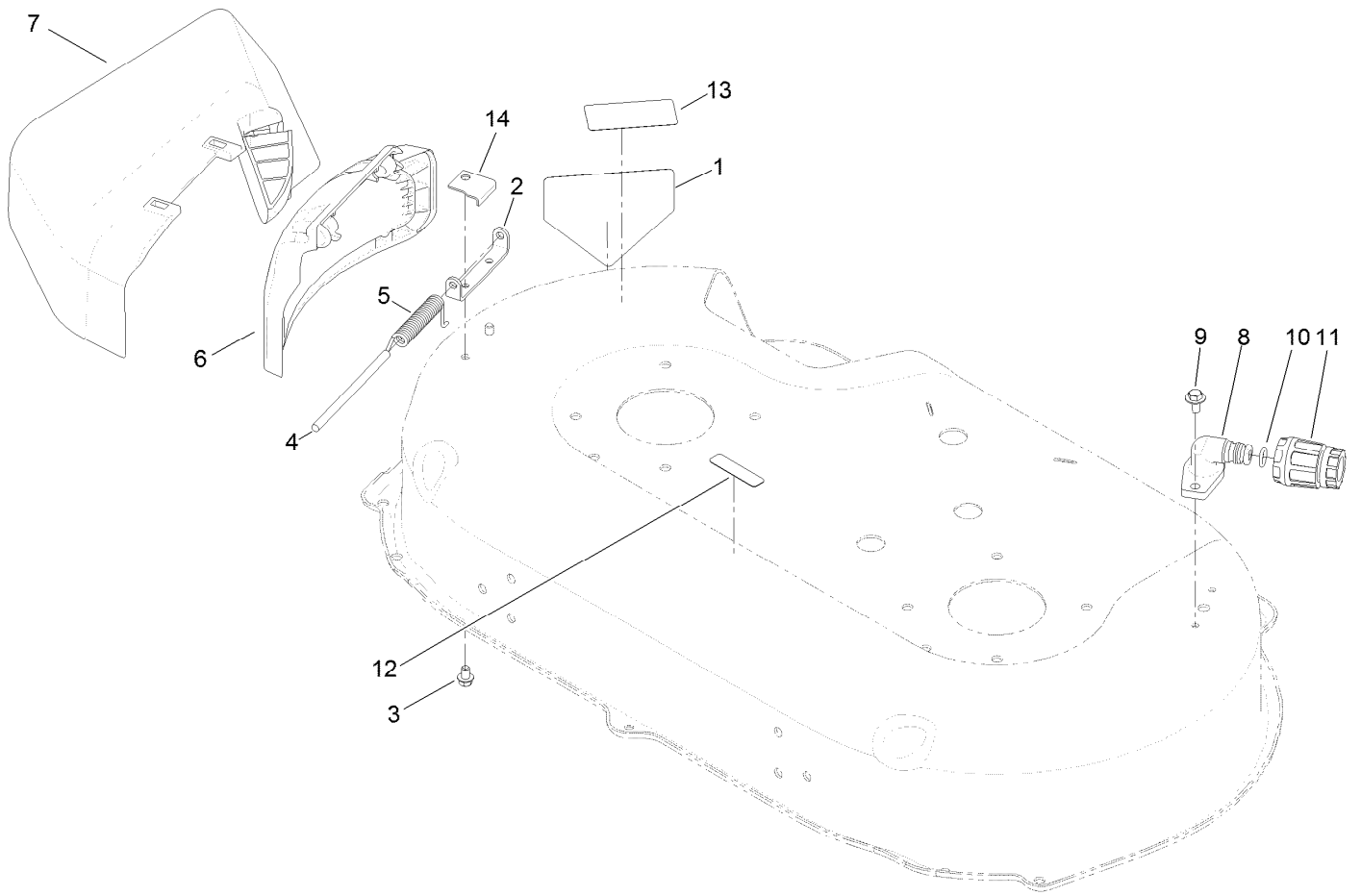
<i>Ref.</i>	<i>Part Number</i>	<i>Qty.</i>	<i>Description</i>	<i>Ref.</i>	<i>Part Number</i>	<i>Qty.</i>	<i>Description</i>
1	121-9170	1	Housing ASM	11	120-7048	1	Rear Deflector ASM
2	121-5684	1	Decal-Location, Service Dealer	12	115-2859	1	Spring-Torsion
3	120-3318-01	1	Frame	13	114-7924	1	Spring-Torsion
4	120-3336	1	Chute	14	46-8091	2	Screw-HWH
5	701243	2	Screw-HWHTF	15	107-7497	1	Bracket-Cable, Traction
6	120-3344	1	Rod-Release, Handle	16	120-5225	1	Plug-Mulch
7	120-7018	1	Grip-Lever	17	120-6241	1	Shield-Trailing
8	121-9114	1	Bracket-Door, LH	18	49-2040	9	Screw-HWHTF
9	121-9115	1	Bracket-Door, RH	21	117-1092	2	Screw-PTH
10	120-7049	1	Belt Cover ASM	23	117-2718	1	Decal-Arrester, Spark
				99	125-5072	1	Frame Plate Kit (Service) ●

● Not illustrated



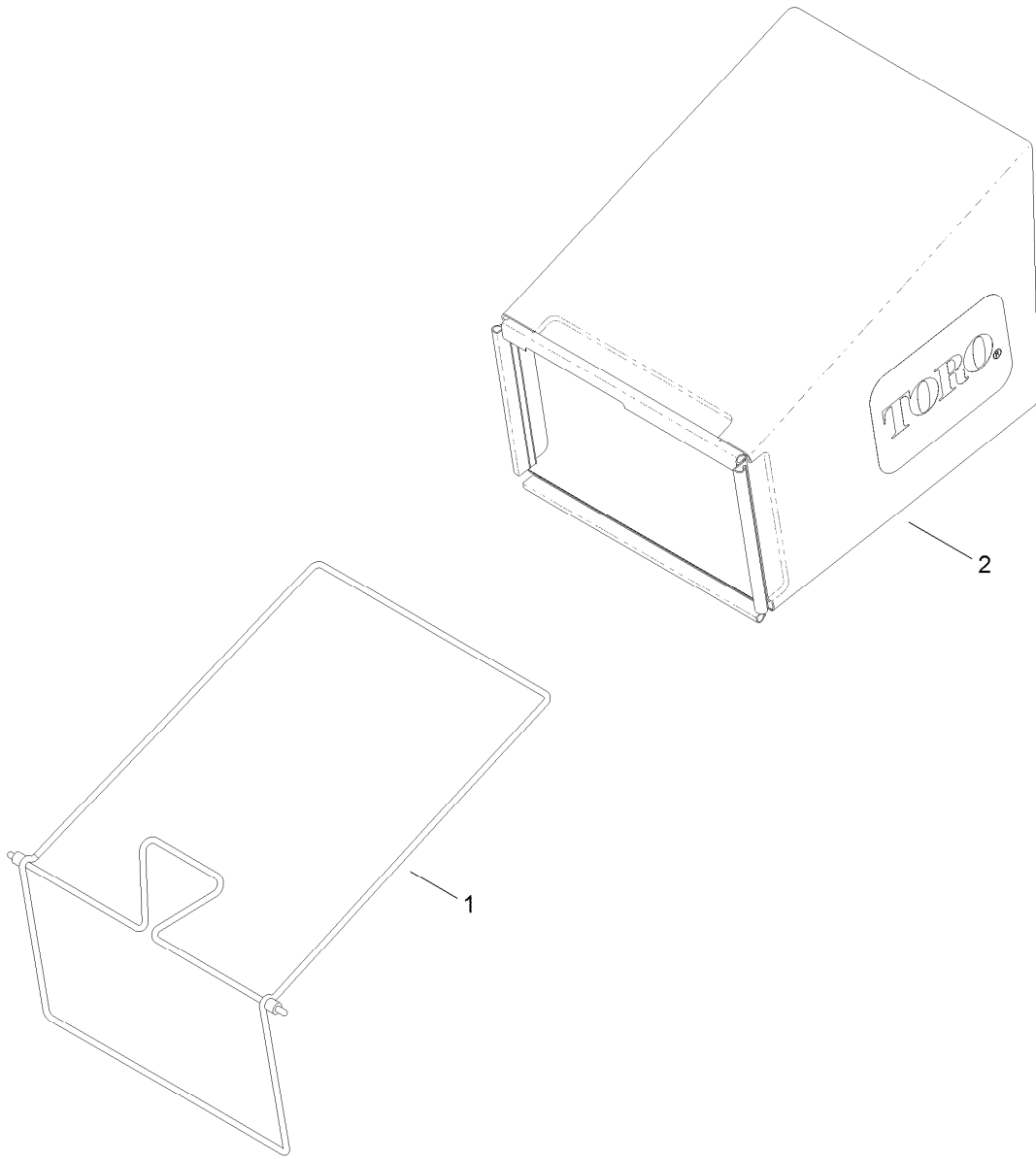
Belt, Spindle and Blade Assembly

<i>Ref.</i>	<i>Part Number</i>	<i>Qty.</i>	<i>Description</i>	<i>Ref.</i>	<i>Part Number</i>	<i>Qty.</i>	<i>Description</i>
1	120-6234	2	Spindle ASM	16	3296-29	2	Nut-Lock, NI
2	32144-57	10	Screw	17	121-5763	2	Pulley
3	120-5234	1	Shaft-Spindle	18	120-3348	1	Bracket-Idler
4	120-5235	1	Shaft-Spindle	19	120-7024	2	Screw-Shoulder, HHF
5	120-7042	2	Sprocket ASM	20	120-3335	1	Belt-Synchronous
6	120-3334	1	Pulley-Brake, Spindle	21	120-5245-03	1	Guide-Belt, Spindle
7	109-9505	2	Washer-Spring	22	120-5236	2	Adapter-Blade
8	3296-19	2	Nut-Hex	23	120-9458	1	Spring-Extension, Brake
9	63-7400	1	Washer-Rebound	24	105-8579	2	Bolt-Blade
10	120-6242	1	Arm-Brake	25	49-2040	2	Screw-HWHTF
11	121-2305	2	Washer-Friction, Composite	26	120-7082	1	Pulley-Idler
12	120-9490	1	Spacer	27	322-6	1	Screw-HH
13	9114524	1	Bolt-TAP, HH	28	3296-47	1	Nut-Lock, NI
14	3256-3	4	Washer-Flat	29	120-9500-03	2	Blade-Atomic, 15.4In
15	322-7	1	Screw-HH	30	121-2336	1	Spring-Flat



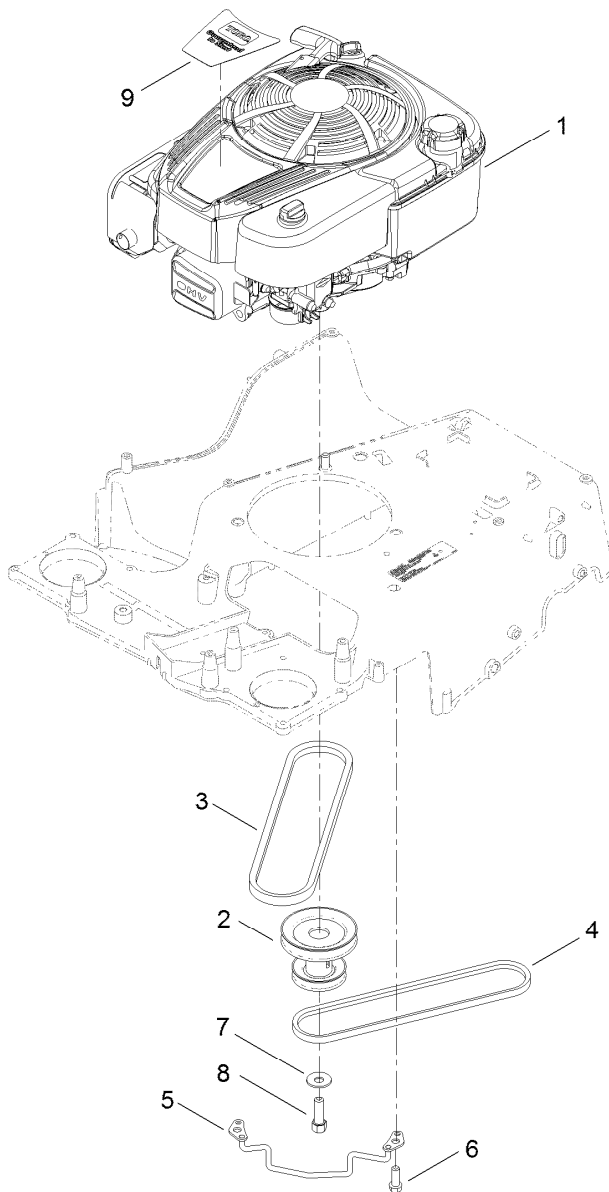
Side Discharge Chute Assembly

Ref.	Part Number	Qty.	Description
1	94-8072	1	Decal-Danger
2	112-6416	1	Bracket-Cover
3	99-8445	2	Screw-HWH
4	99-5291	1	Rod-Cover
5	121-5843	1	Spring-Torsion, Cover
6	121-9197	1	Deflector-Side
7	121-2319	1	Chute-Discharge, Side
8	95-2747	1	Fitting-Washout
9	46-8560	2	Screw-HHFTF
10	46-6290	1	O-Ring
11	95-3270	1	Connector-Hose
12	120-9570	1	Decal-Warning
13	108-8117	1	Decal-Placement, Foot
14	121-5842	1	Plate-Spring



Bag Assembly

<i>Ref.</i>	<i>Part Number</i>	<i>Qty.</i>	<i>Description</i>
1	121-5766-03	1	Frame-Bag
2	121-5770	1	Bag-Grass

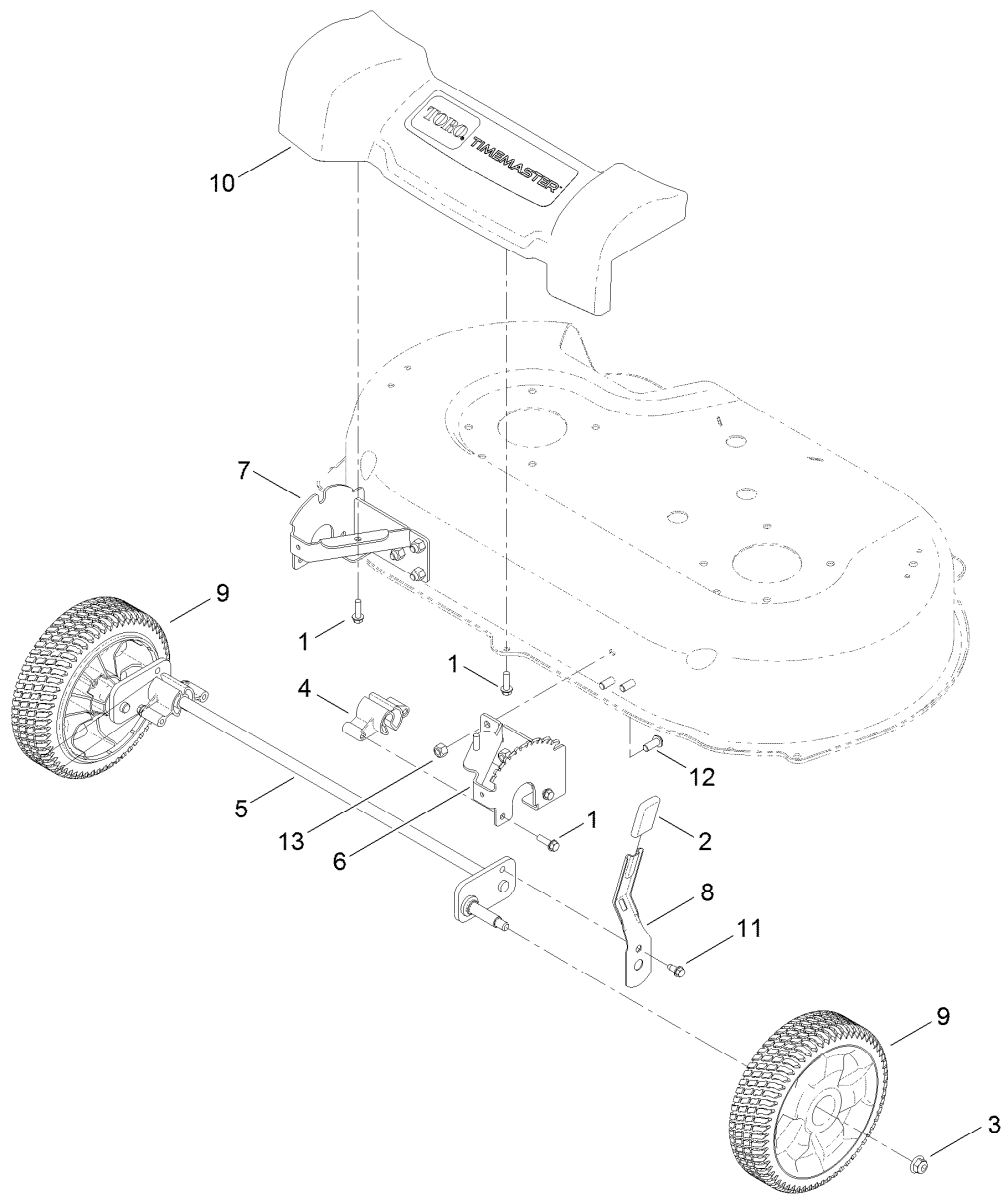


Engine and Pulley Assembly

Ref.	Part Number	Qty.	Description
1		1	Engine-Briggs, 121S170127F1 ●■
2	120-3333	1	Pulley-Engine
3	121-5765	1	V-Belt
4	120-9470	1	V-Belt, Traction
5	120-7077	1	Guide-Belt
6	95-1726	3	Screw-Taptite
7	3290-465	1	Washer-Belleville
8	26-0671	1	Screw-HH
9	121-2318	1	Decal-Shroud

● Not serviced separately

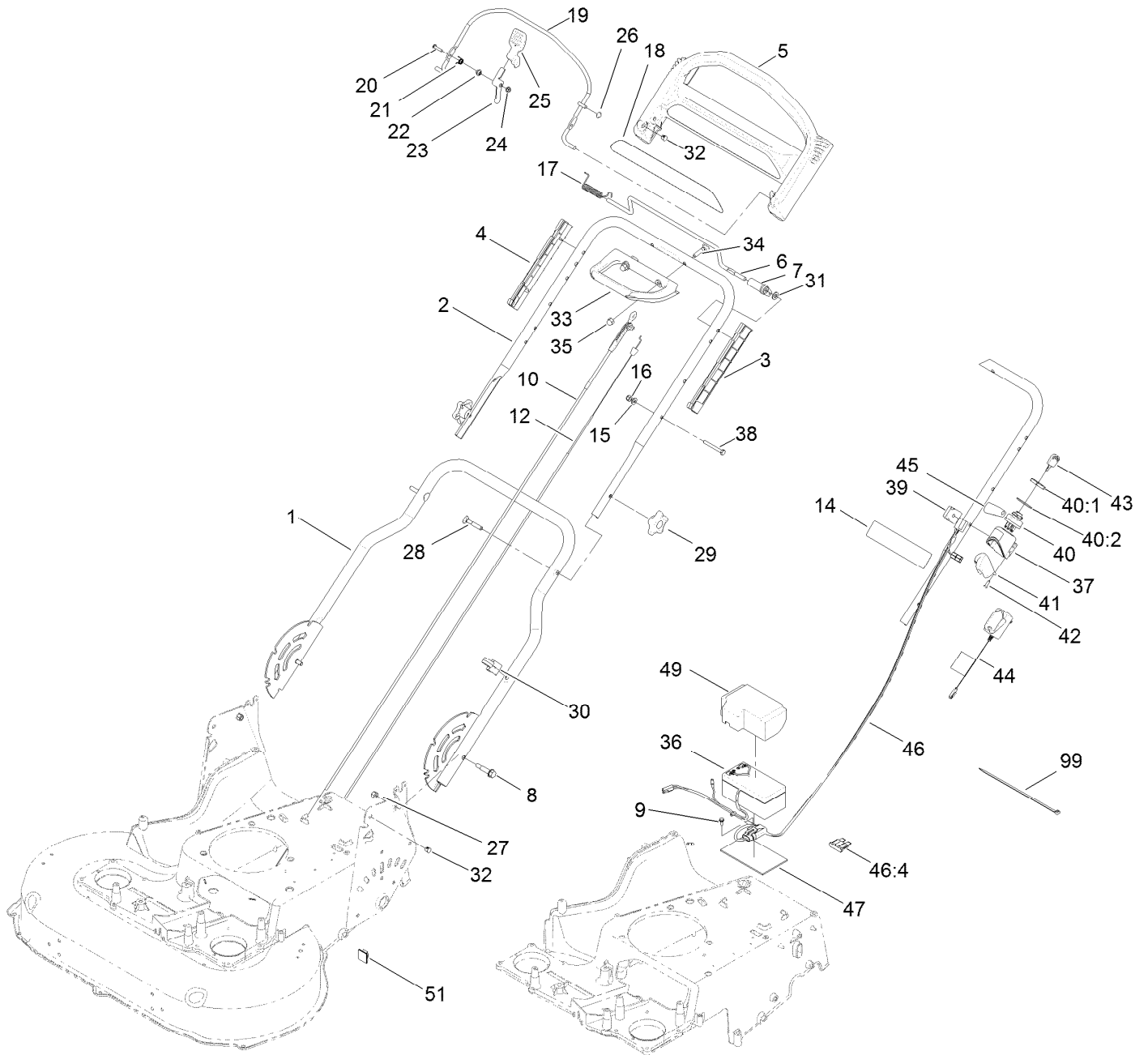
■ Obtain parts from www.briggsandstratton.com



Front Wheel and Axle Assembly

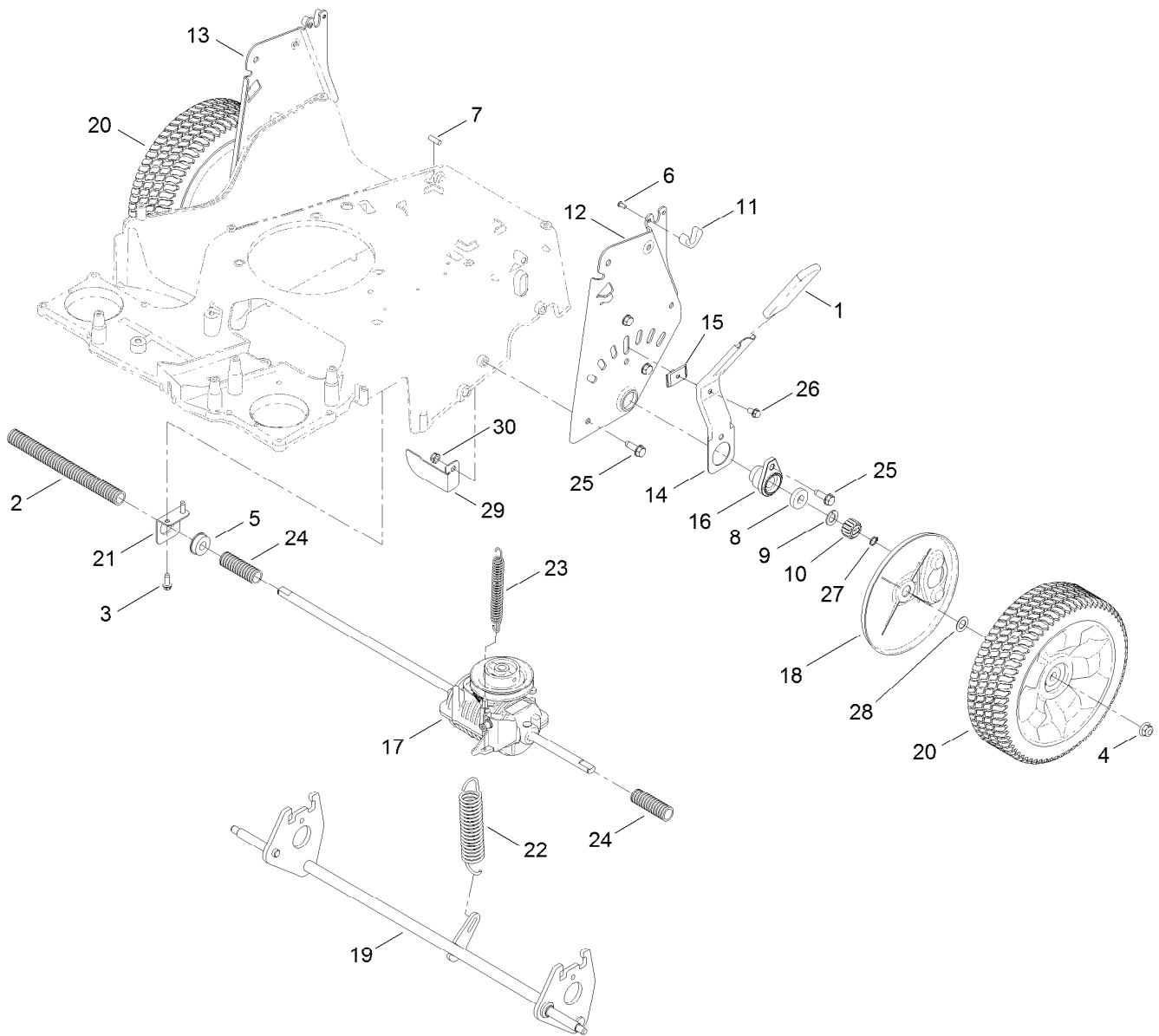
Ref.	Part Number	Qty.	Description
1	46-8091	7	Screw-HWH
2	120-9535	1	Grip-Lever
3	104-8301	2	Nut-Flange, NI
4	114-7913	2	Bushing-Pivot, Front
5	120-6238	1	Axle-Front
6	120-7037-03	1	Plate-HOC, LH
7	120-7038-03	1	Plate-HOC, RH
8	120-7043	1	Arm-Spring
9	120-7045	2	8 Inch Wheel ASM
10	120-7061	1	Front Cover ASM
11	700057	1	Screw-HWH
12	3274-55	6	Screw-HSBH
13	3296-29	6	Nut-Lock, NI

Handle Assembly



Handle Assembly (continued)

<i>Ref.</i>	<i>Part Number</i>	<i>Qty.</i>	<i>Description</i>	<i>Ref.</i>	<i>Part Number</i>	<i>Qty.</i>	<i>Description</i>
1	120-5204-05	1	Handle-Lower	29	117-5976	2	Knob-Handle
2	121-5783-05	1	Handle-Upper	30	114-7988	1	Guide-Cable
3	105-6842	1	Guide-LH	31	3256-23	1	Washer-Flat
4	105-6841	1	Guide-RH	32	104-9368	3	Plug-Dome
5	104-8678	1	Handle-Control	33	120-7087	1	Handle-Assist, Traction
6	99-1588	1	Bar-Control, Traction	34	99-6005	2	Bolt-Carriage
7	99-1589	1	Lever-Traction	35	32111-8	2	Nut-Lock, Cap
8	120-7025	2	Bolt-Shoulder, HHF	36	106-8397	1	Battery-Wet
9	32144-1	1	Screw-Taptite	37	108-3795	1	Housing-Switch, Key
10	120-6243	1	Cable-Brake, BBC	38	321-50	1	Screw-HH
12	120-6244	1	Cable-Traction	39	92-7729	1	Anchor-Cable, Upper
14	104-7953	1	Decal	40	23-0660	1	Switch-Starter
15	3256-1	1	Washer-Flat	40:1	218-461	1	Nut-HH
16	3296-73	1	Nut-Lock, NI	40:2	3254-5	1	Washer-Tooth, Internal
17	121-9118	1	Spring-Torsion	41	108-3796	1	Cover-Swtch
18	117-1019	1	Decal	42	32144-111	2	Screw-PPH
19	108-3788-03	1	Bail-Brake	43	700918	1	Key
20	106-9169	1	Screw-HWH	44	114-1588	1	Charger-Battery
21	107-7462	1	Spring-Torsion	45	108-9751	1	Decal-Switch, Ignition
22	107-7463	1	Spacer	46	117-0070	1	Harness-Wire
23	106-6802	1	Lever	46:4	99-6124	1	Fuse-40 Amp
24	32128-17	1	Nut-Lock, Flange	47	108-0987	1	Foam-Battery
25	112-8884	1	Knob-BBC	49	120-3329	1	Cover-Battery
26	3290-337	1	Nut-Speed	51	121-5836	1	Guide-Cable
27	3296-29	2	Nut-Lock, NI	99	614249	2	Tie-Cable
28	112-8876	2	Screw-Handle				



Transmission, Rear Wheel and Height-of-Cut Assembly

Ref.	Part Number	Qty.	Description
1	1-633295	1	Grip-Lever, Lift
2	121-5799	1	Conduit-Convolved
3	49-2040	2	Screw-HWHTF
4	104-8301	2	Nut-Flange, NI
5	104-8699	1	Bearing-Ball
6	105-9437	2	Screw-PPH
7	106-5681	1	Pin-Stop
8	109-8020	2	Bearing-Ball
9	110-7191	2	Washer-Thrust
10	110-9417	2	Gear-Pinion, 15T
11	115-8406	2	Anchor-Bag
12	120-3342-03	1	Plate-HOC, LH
13	120-3343-03	1	Plate-HOC, RH
14	120-5208	1	Arm-Spring, Rear
15	120-5209	1	Key-Springarm

Ref.	Part Number	Qty.	Description
16	120-5210	2	Retainer-Bearing
17	120-5211	1	Transmission-Msv2 Gt
18	120-6233	2	Cover-Gear
19	120-6237	1	Axle-Rear
20	120-7006	2	10 Inch Wheel Gear ASM
21	120-7008	1	Mount-Bearing
22	120-7026	1	Spring-Extension
23	120-7027	1	Spring-Extension
24	121-5800	2	Conduit-Convolved
25	701243	8	Screw-HWHTF
26	32144-4	1	Screw-HWH
27	32151-61	2	Ring-Retaining
28	36-4780	2	Washer-Plain
29	121-5821	1	Bracket-Stop
30	3296-47	1	Nut-Lock, NI

Attachments and Accessories

For 20200 TimeMaster 30in Lawn Mower

Product Name	Model/Part
High-Lift Blade and Baffle Kit	127-6879
Replacement Blade Kit	20120

Notes:

Notes:



Count on it.