



Count on it.

Parts Catalog

**LT3340 Heavy-Duty Triple Turf
Mower Traction Unit**

Model No. 30657—Serial No. 40000000 and Up



Ordering Replacement Parts

To order replacement parts, please supply the part number, the quantity, and the description of each part desired.

Understanding Reference Numbers

Each identified part in an illustration has a reference number. The reference number for a part also appears in the parts list, along with other information about the part.

This catalog uses two special reference number formats, one to indicate parts in a service assembly and another to indicate the quantity of a given part in an illustration.

Service Assembly Reference Numbers

Parts in service assemblies have reference numbers in the form a:b. The a represents the reference number of the entire service assembly and the b represents a sequential number unique to each part within the service assembly.

For example, a wheel assembly might be identified by reference number 6, the tire by 6:1, the valve by 6:2, and the wheel by 6:3. When you order the assembly identified by reference number 6, you receive all parts identified by reference numbers 6:1, 6:2, and 6:3. However, you may also order any part individually. Reference numbers of this type appear in illustration and in parts lists.

Reference Numbers Indicating Quantity

In an illustration, if a reference number indicates more than one part, the reference number has the form nX y. The n represents the quantity of the part, the X is the multiplication symbol, and the y represents the reference number.

For example, in an illustration, the reference number 2X 37 means that two of the parts identified by reference number 37 are indicated.

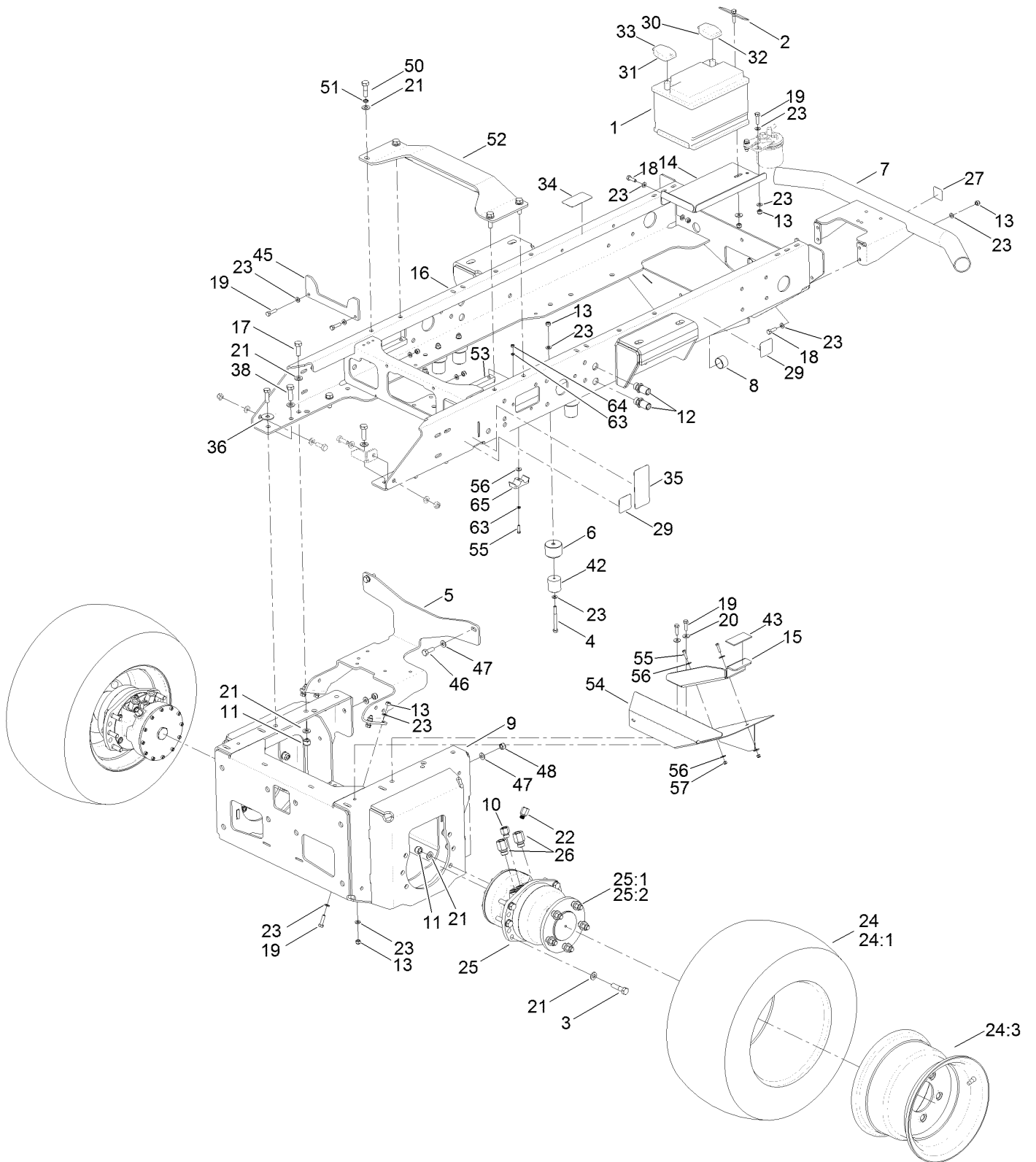
Contents

Main Frame, Front Wheel and Battery Assembly	6
Engine Mounting Assembly	8
Radiator and Shroud Assembly	10
Rear Axle Assembly	12
Steering Column, Seat and Platform Assembly	14
Steering Column Assembly No. 111-6756	16
Pedal Control Assembly	18
Fuel Tank and Storage Pod Assembly	20
Hood Assembly	22
Front Lift Arm Assembly	24
Center Arm Assembly	26
Roll-Over Protection System Assembly	28
Lift/Steer Hydraulic Circuit Assembly	30
Cutter Hydraulic Circuit Assembly	32
Hydraulic Oil Tank Assembly	34
Lift Manifold Assembly	36
Transmission and Tandem Pump Assembly	38
Hydraulic Pump Assembly No. 111-6774	40
Rear Transmission Block Assembly	42
Control Panel Assembly	44
Filter Assembly	46
Cutter Component Assembly	48
Loom Kit	50
Electrical Assembly	52
Transmission Hydraulic Circuit Assembly	54
Transmission Manifold Assembly	56
Center Flap Assembly	58
Cutter Control Manifold Assembly	60
Crankcase Assembly	62
Oil Pan and Oil Pump Assembly	63
Cylinder Head Assembly	64
Gear Case and Oil Filter Cartridge Assembly	65
Cylinder Head Cover Assembly	66
Dipstick and Guide Assembly	67
Main Bearing Case Assembly	68
Camshaft and Idle Gear Shaft Assembly	69
Piston and Crankshaft Assembly	70
Flywheel Assembly	71
Fuel Camshaft and Governor Shaft Assembly	72
Idle Apparatus and Stop Solenoid Assembly	73
Injection Pump and Fuel Pump Assembly	74
Speed Control Plate Assembly	75
Nozzle Holder and Glow Plug Assembly	76
Nozzle Holder Assembly	77
Governor Assembly	78
Fuel Filter Assembly	79
Alternator and Pulley Assembly	80
Alternator Components Assembly	81
Starter Assembly	82
Starter (Component Part) Assembly	83
Water Flange and Thermostat Assembly	84
Water Pump Assembly	85
Valve and Rocker Arm Assembly	86
Intake and Exhaust Manifold Assembly	87

Contents (continued)

Miscellaneous Engine Parts 88
Attachments and Accessories 89

Main Frame, Front Wheel and Battery Assembly



Main Frame, Front Wheel and Battery Assembly (continued)

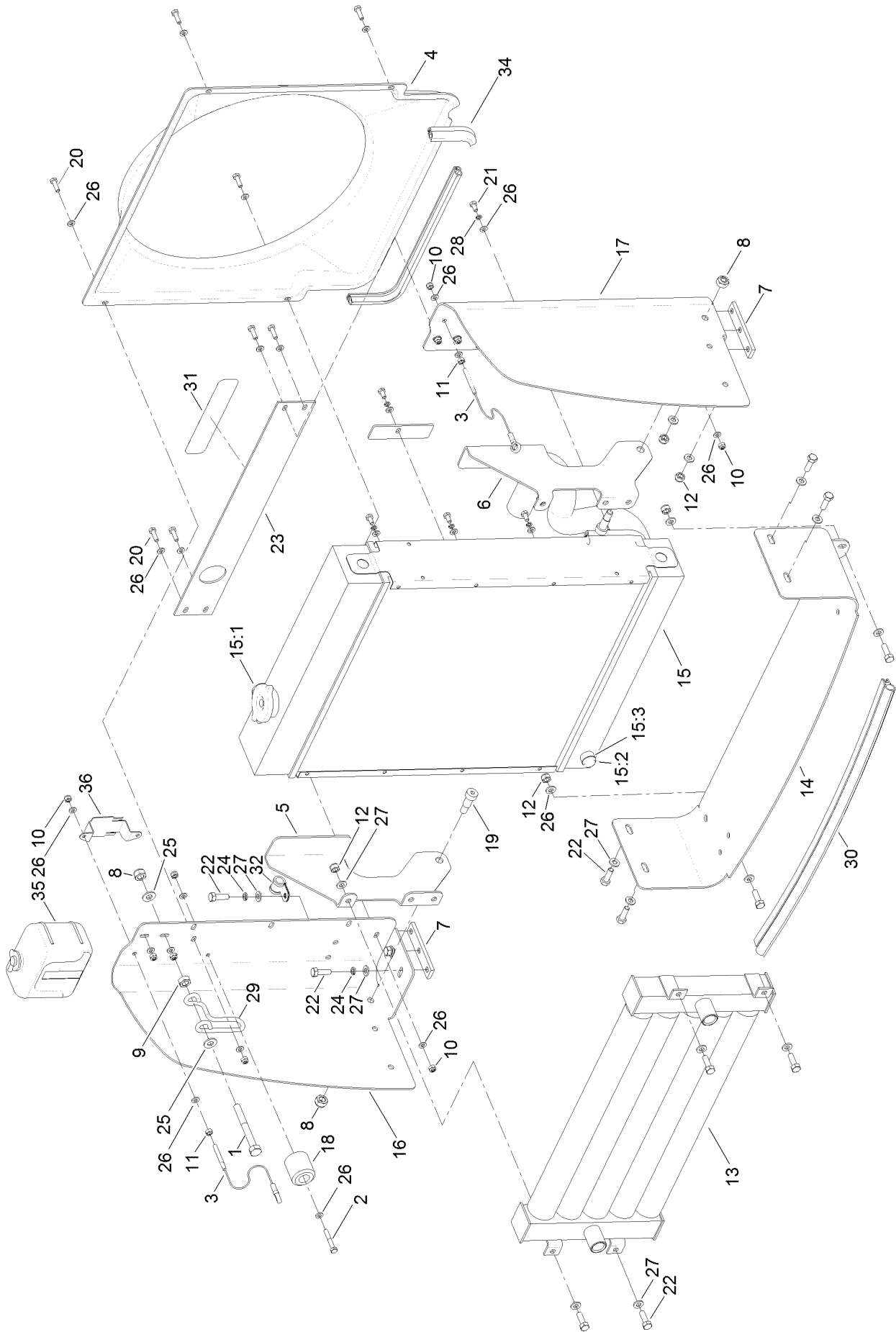
<i>Ref.</i>	<i>Part Number</i>	<i>Qty.</i>	<i>Description</i>	<i>Ref.</i>	<i>Part Number</i>	<i>Qty.</i>	<i>Description</i>
1	70-09-015	1	Battery	25:2	74-07-016	5	Nut
2	70-01-340	1	Retainer-Battery	26	111-3529	4	Adaptor
3	09552	12	Screw-HH	27	70-13-072	1	Decal
4	ZBH1H080U	4	Bolt	29	950832	4	Decal
5	111-6791-03	1	Bracket-Manifold, Cutter	30	70-09-171	1	Terminal-Positive
6	111-5305	4	Bump-Stop	31	70-09-172	1	Terminal-Negative
7	111-3110-03	1	Bumper-Rear	32	111-3690	1	Cable-Battery, Positive
8	65-07-051	2	Bushing	33	70-09-170	1	Cable-Battery, Negative
9	111-2105-03	1	Chassis-Front	34	950889	1	Decal-Warning
10	111-3509	2	Adaptor	35	111-3901	1	Decal-Transmission, Oil
11	ZNN1L000U	18	Nut-Nyloc	36	111-9529	2	Plate-Securing
12	09-06-216	2	Adaptor-Bulkhead	38	ZDH1L040U	2	Screw-HH
13	09441	21	Nut-Hex, NI	42	61-07-003	4	Buffer-Rubber
14	111-2599-03	1	Plate-Mount, Battery	43	HY910808	1	Strip-Neoprene
15	111-3217-03	1	Support-Platform, Front (LH)	45	111-5538-03	1	Location-Plate
16	111-7788-03	1	Chassis-Rear W/A	46	09392	2	Screw-HH
17	ZDH1L035U	4	Screw-HH	47	09479	4	Washer-Plain
18	03162	6	Screw-HH	48	ZNN1J000U	2	Nut-Hex, NI
19	09369	10	Screw-HH	50	63-11-010	4	Bolt-HH
20	09267	3	Washer	51	09599	4	Washer-Lock
21	HY09485	38	Washer-Plain	52	111-7065-03	1	Brace
22	111-3538	2	Adaptor	53	111-7094	2	Brace-Chassis
23	ZWP1H000U	36	Washer-Plain	54	111-7252-03	1	Deflector-Grass, Cutter (LH)
24	111-6878	2	Wheel ASM	55	09364	3	Screw-HH
24:1	111-6879	1	Rim-Wheel	56	09262	5	Washer
24:2	74-07-012	1	Tube-Inner ●	57	09544	2	Nut-Nyloc
24:3	74-07-027	1	Tire	63	09472	2	Washer-Plain
25	111-6761	2	HYD Motor ASM	64	09438	1	Nut-Nyloc
25:1	111-7059	5	Stud-Wheel	65	56-7974	1	Clamp-Tube

● Not illustrated

Engine Mounting Assembly (continued)

<i>Ref.</i>	<i>Part Number</i>	<i>Qty.</i>	<i>Description</i>	<i>Ref.</i>	<i>Part Number</i>	<i>Qty.</i>	<i>Description</i>
1	111-3805	1	Air Filter ASM	27	940213	1	Tail Pipe-Exhaust
1:1	111-3808	1	Filter-Element, Main	28	111-3806	3	Screw-HSH
1:2	111-3809	1	Filter-Element, Safety	29	111-3555	1	Seal-Air Intake
3	910816	4	Isomount-Engine	30	50-11-005	10	Screw-HH
4	922851	1	Housing-Bell	31	111-0597	2	Screw-HH
5	09547	1	Screw-HH	32	03162	10	Screw-HH
6	09371	1	Bolt	33	09369	4	Screw-HH
7	111-3298	1	Pivot-Throttle, Boss	34	ZDH1H035U	8	Screw-HH
8	74-01-327	2	Bracket-Loom, Tie	35	09283	8	Washer
9	111-2588-03	1	Bracket-Air Cleaner	36	09267	5	Washer
10	111-3043-03	2	Bracket-Mount, Engine	37	03469	20	Washer-Spring
13	111-3299-03	1	Bracket-Throttle	38	ZWQ1J000U	12	Washer-Plain
14	111-2556	1	Coupling	39	ZWP1F000U	6	Washer-Plain
15	111-1290	1	Engine-Kubota	40	ZWP1H000U	26	Washer-Plain
16	111-3045-03	1	Stay-Exhaust	41	09480	15	Washer-Lock
17	111-4012	1	Flange-Exhaust	42	09474	5	Washer-Spring
18	910936	2	Clip-Jubilee	43	70-09-023	1	Cable-Earth
19	924438	4	Clamp-Hose	44	111-3807	1	Bracket-Mounting, Air Filter
20	111-2567	1	Hose-Bottom, Radiator	45	953870	1	Indicator-Filter Blockage
21	910921	1	Hose-Top	46	09645	4	Setscrew-HH
22	09437	2	Nut	47	104-4247	1	Spacer-Fan
23	09441	2	Nut-Hex, NI	48	110-0966	1	Fan-Cooling
24	ZNH1H000U	5	Nut-Hex	49	111-6937-03	1	Washer-Pad, Intake Air
25	09231	8	Nut-Hex	50	111-7141-03	2	Bracket-Mount, Engine
26	70-11-005	1	Pin-Split				

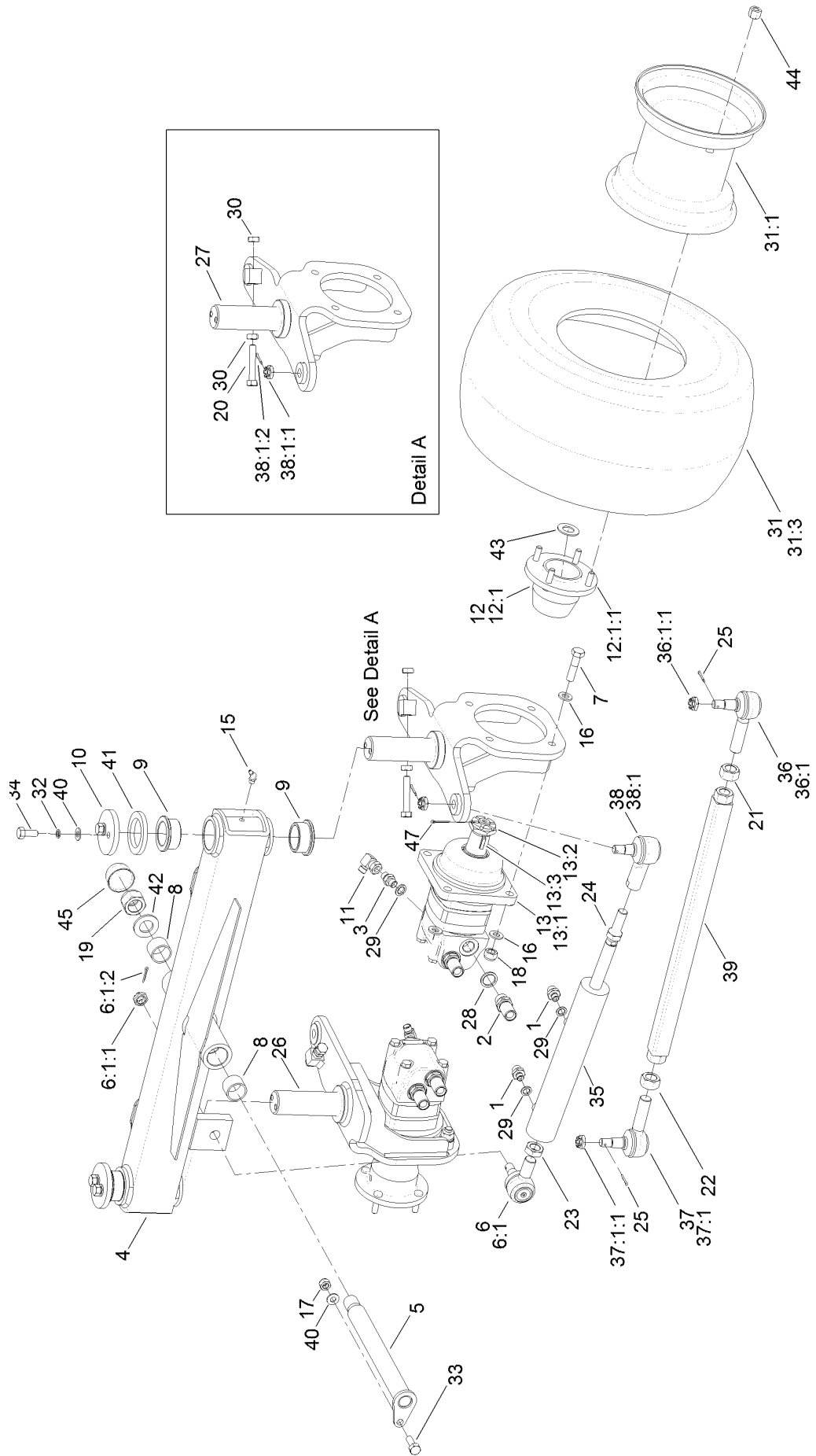
Radiator and Shroud Assembly



Radiator and Shroud Assembly (continued)

<i>Ref.</i>	<i>Part Number</i>	<i>Qty.</i>	<i>Description</i>	<i>Ref.</i>	<i>Part Number</i>	<i>Qty.</i>	<i>Description</i>
1	ZBH1J090U	1	Screw-HH	17	111-3007-03	1	Bracket-Radiator, RH
2	ZBH1F040U	2	Screw-HH	18	61-07-003	2	Buffer-Rubber
3	924825	2	Cable-Stay, Cover	19	ZIS1J020S	2	Bolt-Shoulder, Socket Head
4	111-3301	1	Cowl-Fan	20	09363	8	Screw-HH
5	111-3010-03	1	Hinge-Oil Cooler, LH	21	09361	6	Screw-HH
6	111-3011-03	1	Hinge-Oil Cooler, RH	22	03162	16	Screw-HH
7	111-3281	2	Bar-Nut	23	111-3008-03	1	Seal-Top
8	ZNN1J000U	3	Nut-Hex, NI	24	03469	6	Washer-Spring
9	09449	1	Nut	25	ZWQ1J000U	2	Washer-Plain
10	09438	12	Nut-Nyloc	26	09472	30	Washer-Plain
11	09437	2	Nut	27	ZWP1H000U	24	Washer-Plain
12	09441	10	Nut-Hex, NI	28	09474	6	Washer-Spring
13	70-06-171	1	Cooler-Oil	29	104-5429	1	Clamp-Form, Wire
14	111-3009-03	1	Plate-Seal, Lower	30	994808	3	Excluder-Draught
15	111-5193	1	Radiator ASM	31	111-3902	1	Decal-Engine, Fan/Radiator
15:1	111-0698	1	Cap-Radiator	32	111-6082	1	Clamp-Cable
15:2	30-06-200	1	Plug-HYD	34	111-7053	1	Seal-Bubble, Side
15:3	200134	1	Washer	35	111-7452	1	Tank-Reserve, Coolant
16	111-3006-03	1	Bracket-Radiator, LH	36	108-9930-03	1	Bracket-Bottle

Rear Axle Assembly



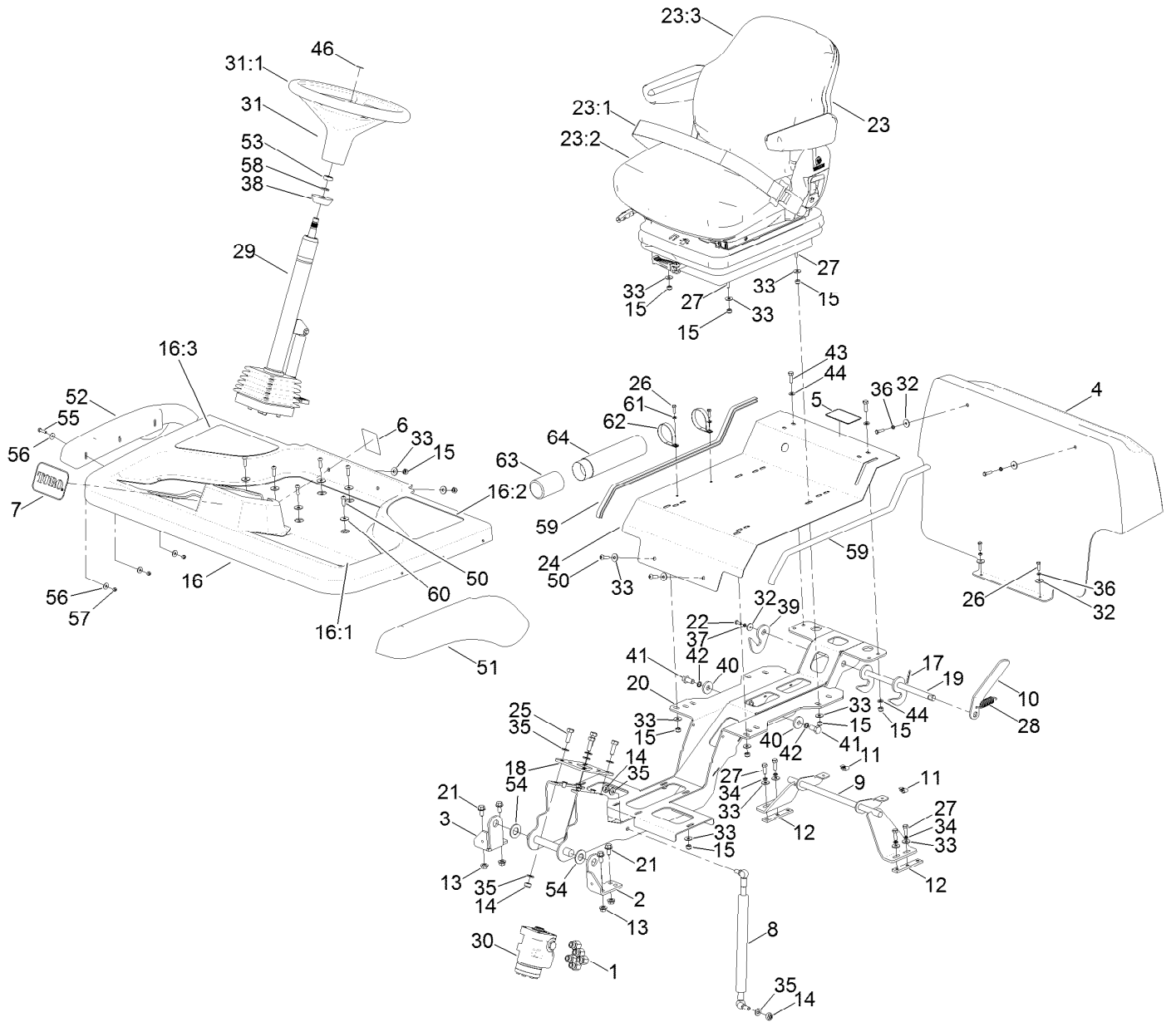
Rear Axle Assembly (continued)

<i>Ref.</i>	<i>Part Number</i>	<i>Qty.</i>	<i>Description</i>	<i>Ref.</i>	<i>Part Number</i>	<i>Qty.</i>	<i>Description</i>
1	50-06-009	2	Adaptor-BSP	28	10-06-032	4	Seal-Dowty
2	09-06-216	4	Adaptor-Bulkhead	29	10-06-030	4	Seal-Dowty
3	10-06-085	2	Adaptor	30	09449	4	Nut
4	111-4995-03	1	Axle-Rear	31	111-6876	2	Wheel ASM
5	111-3265	1	Pin-Axle	31:1	111-6877	1	Rim-Wheel
6	111-6578-03	1	Joint-Ball	31:2	72-07-068	1	Tube-Inner ●
6:1		1	Ball Joint ●■	31:3	924803	1	Tire
6:1:1	111-5116	1	Nut-Castle	32	09480	4	Washer-Lock
6:1:2	09306	1	Pin-Split	33	09392	1	Screw-HH
7	09552	8	Screw-HH	34	09395	4	Screw-HH
8	70-05-031	2	Bushing	35	111-9940	1	Steering Cylinder ASM
9	111-3681	4	Bushing-Flanged, Oilite	35:99	111-9939	1	Seal Kit ●
10	70-01-197	2	Cap-Washer	36	71-4740-03	1	RH Tie Rod End ASM
11	31-06-004	2	Elbow-Compact	36:1		1	End-Rod, Tie (RH) ●■
12	111-5176-03	2	Wheel Hub ASM	36:1:1	105-7941	1	Nut-Hex, Slotted ●
12:1		1	Hub-Wheel ■	36:1:2	105-7835	1	Seal ●
12:1:1	65-07-019	4	Stud-Wheel ●	36:1:3	302-5	1	Fitting-Grease
13	111-9745	2	HYD Motor ASM	37	2411-46-03	1	LH Tie Rod ASM
13:1	111-9864	1	Seal Kit	37:1		1	End-Rod, Tie (LH) ●■
13:2	70-06-081	1	Castle-Nut	37:1:1	302-5	1	Fitting-Grease ●
13:3	70-06-089	1	Key	37:1:2	105-7835	1	Seal ●
15	63-07-027	3	Zerk-Grease, BSP (90 DEG)	37:1:3	105-7941	1	Nut-Hex, Slotted ●
16	HY09485	16	Washer-Plain	38	111-5087-03	1	Joint-Ball
17	ZNN1J000U	1	Nut-Hex, NI	38:1		1	Joint-Ball ●■
18	09650	8	Nut-Hex, Nyloc	38:1:1	111-5116	1	Nut-Castle ●
19	ZNN1X000U	1	Nut-Hex, Nyloc	38:1:2	09306	1	Pin-Split ●
20	ZDH1J060U	2	Setscrew-HH	39	111-7924-03	1	Rod-Tie
21	84-5300	1	Nut-Jam	40	ZWQ1J000U	5	Washer-Plain
22	110-5337	1	Nut-Jam	41	70-07-149	2	Washer-Felt
23	09828	1	Nut	42	09555	1	Washer
24	09827	1	Nut	43	ZWP1T000U	2	Washer-Plain
25	70-11-005	2	Pin-Split	44	65-07-009	8	Nut-Wheel, Dome
26	111-4982-03	1	RH Rear Yoke ASM	45	10-11-100	1	Cap-Nut
27	111-4983-03	1	LH Rear Yoke ASM	47	70-11-004	2	Pin-Split

● Not illustrated

■ Not serviced separately

Steering Column, Seat and Platform Assembly

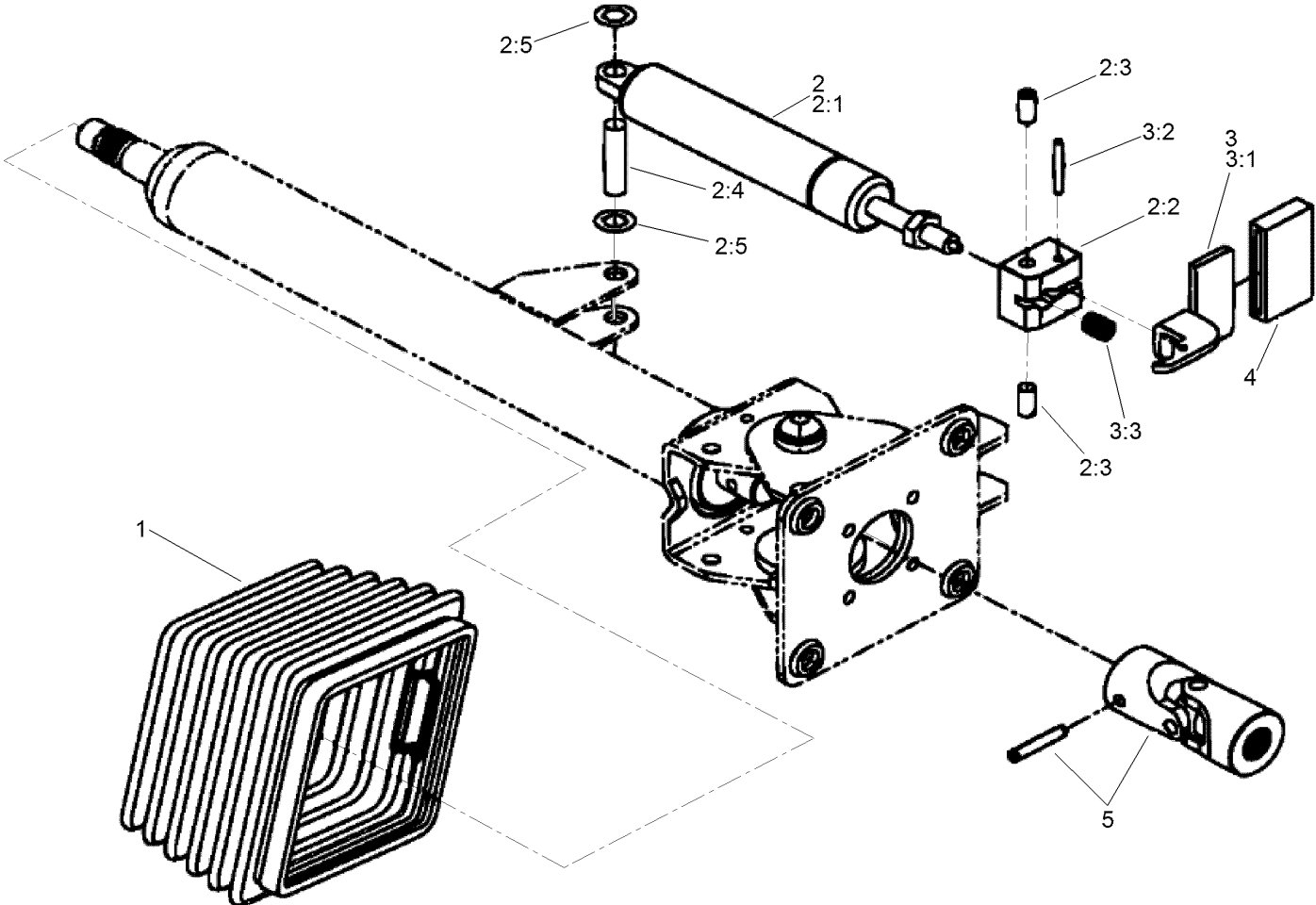


Steering Column, Seat and Platform Assembly (continued)

<i>Ref.</i>	<i>Part Number</i>	<i>Qty.</i>	<i>Description</i>	<i>Ref.</i>	<i>Part Number</i>	<i>Qty.</i>	<i>Description</i>
1	111-3509	5	Adaptor	29	111-6756	1	Steering Column ASM
2	111-3243-03	1	Bracket-Platform Pivot, LH	30	111-7464	1	Valve-Steering, Control
3	111-2665-03	1	Bracket-Platform Pivot, RH	30:99	94-4095	1	Centering Spring Kit ●
4	111-3293	1	Bulkhead	30:99	130-8358	1	Seal Kit ●
5	111-3566	1	Decal-Latch, Platform	31	98-1471	1	Wheel-Steering
6	111-3562	1	Decal	31:1	98-1468	1	Cover-Wheel, Steering
7	67-1300	1	Decal	32	09263	5	Washer
8	111-9857	1	Gas Strut	33	09267	20	Washer
9	111-3140-03	1	Bar-Latch	34	03469	4	Washer-Spring
10	111-3269-03	1	Lever-Latch, Platform	35	ZWQ1J000U	10	Washer-Plain
11	410076	2	Nut	36	09264	4	Washer-Spring
12	111-3281	2	Bar-Nut	37	09474	1	Washer-Spring
13	63-11-015	4	Nut-Flanged	38	93-5429	1	Collar-Foam
14	ZNN1J000U	6	Nut-Hex, NI	39	111-3268	1	Latch-Plate, Platform
15	09441	16	Nut-Hex, NI	40	63-01-115	2	Washer
16	111-9744	1	Operator Platform	41	09571	2	Screw-HH
16:1	111-3506	1	Mat-Floor	42	09599	2	Washer-Lock
16:2	111-3507	1	Mat-Side, LH	43	03162	2	Screw-HH
16:3	111-3508	1	Mat-Side, RH	44	ZWP1H000U	4	Washer-Plain
17	70-11-004	1	Pin-Split	46	98-1459	1	Decal
18	111-2899-03	1	Plate-Mount Pump, Steering	50	ZHS1H025U	8	Screw-HSBH
19	111-3266	1	Latch-Platform	51	111-4921	1	Mudguard-LH
20	111-9565-03	1	Support-Platform	52	111-4922	1	Mudguard-RH
21	63-11-018	4	Screw-Durloc	53	09827	1	Nut
22	09362	1	Screw-HH	54	09499	2	Washer
23	111-4935	1	Seat ASM (Incl. Seat Belt)	55	09364	8	Screw-HH
23:1	111-4936	1	Retractable Seat Belt ASM	56	09262	12	Washer
23:2	111-5543	1	Cushion-Seat	57	09438	8	Nut-Nyloc
23:3	111-5544	1	Cushion-Backrest	58	HY4200	1	Washer-Spring
23:99	111-0410	1	Switch-Presence, Operator ●	59	50-08-001	2	Edging-Rubber
24	111-3069-03	1	Pan-Seat	60	09270	6	Washer-Plain
25	09392	4	Screw-HH	61	09472	4	Washer-Plain
26	09363	4	Screw-HH	62	107-1865	2	R-Clamp
27	03162	8	Screw-HH	63	104-7048	1	Cap-Housing
28	70-07-063	1	Spring-Extension	64	104-7050	1	Tube-Manual
				99	994808	1	Excluder-Draught ●

● Not illustrated

Steering Column Assembly No. 111-6756

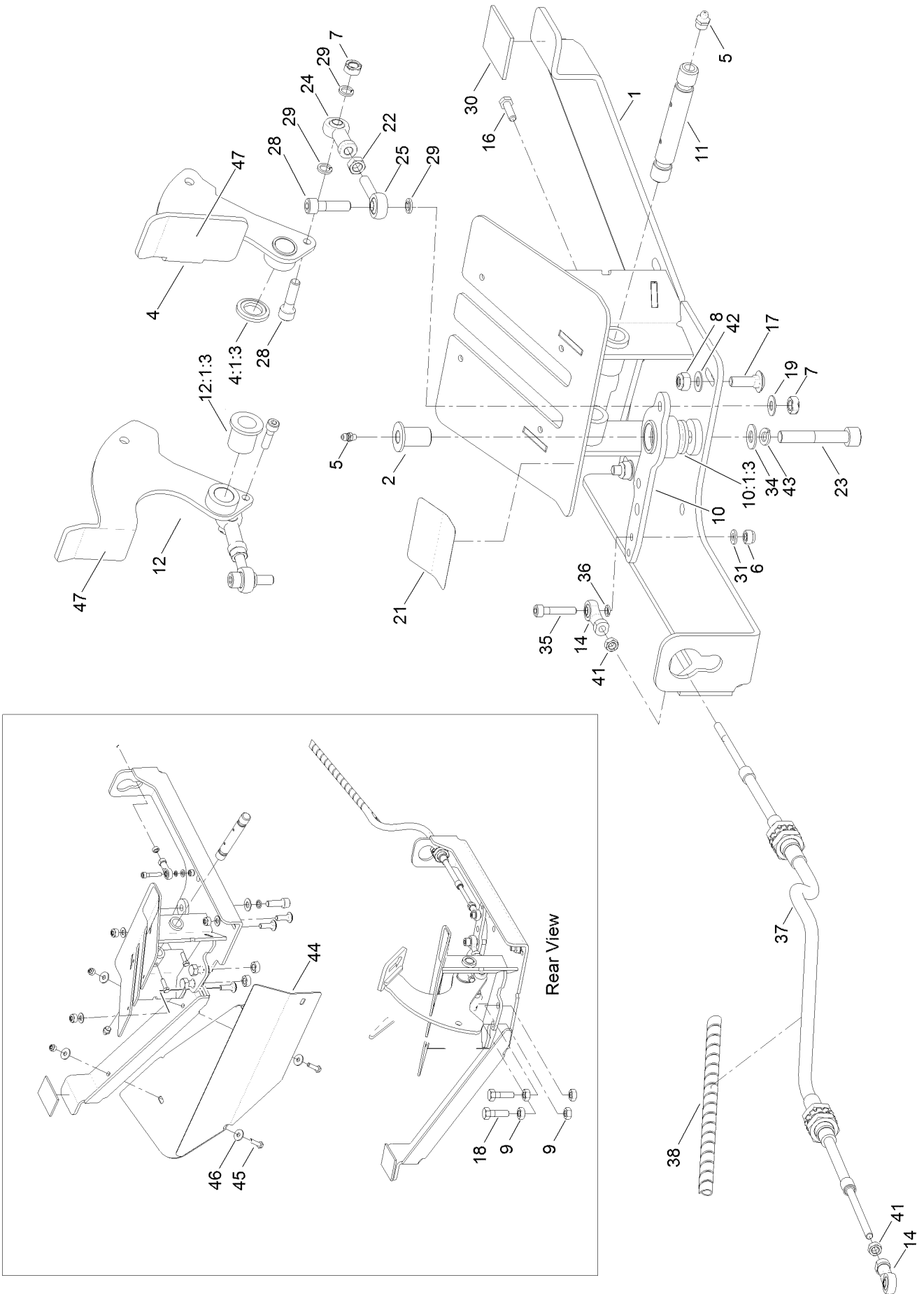


Steering Column Assembly No. 111-6756 (continued)

<i>Ref.</i>	<i>Part Number</i>	<i>Qty.</i>	<i>Description</i>	<i>Ref.</i>	<i>Part Number</i>	<i>Qty.</i>	<i>Description</i>
1	110-6462	1	Bellows-Rubber	3	110-6464	1	Pedal Service Kit
2	110-6463	1	Cylinder Service Kit	3:1		1	Pedal ●
2:1		1	Cylinder-Gas ●	3:2		1	Pin ●
2:2		1	Block-Pedal ●	3:3		1	Spring ●
2:3		2	Bolt ●	4	110-6465	1	Cover-Pedal
2:4		1	Pin ●	5	111-7314	1	Universal Joint Kit
2:5		2	Washer-Lock ●				

● Not serviced separately

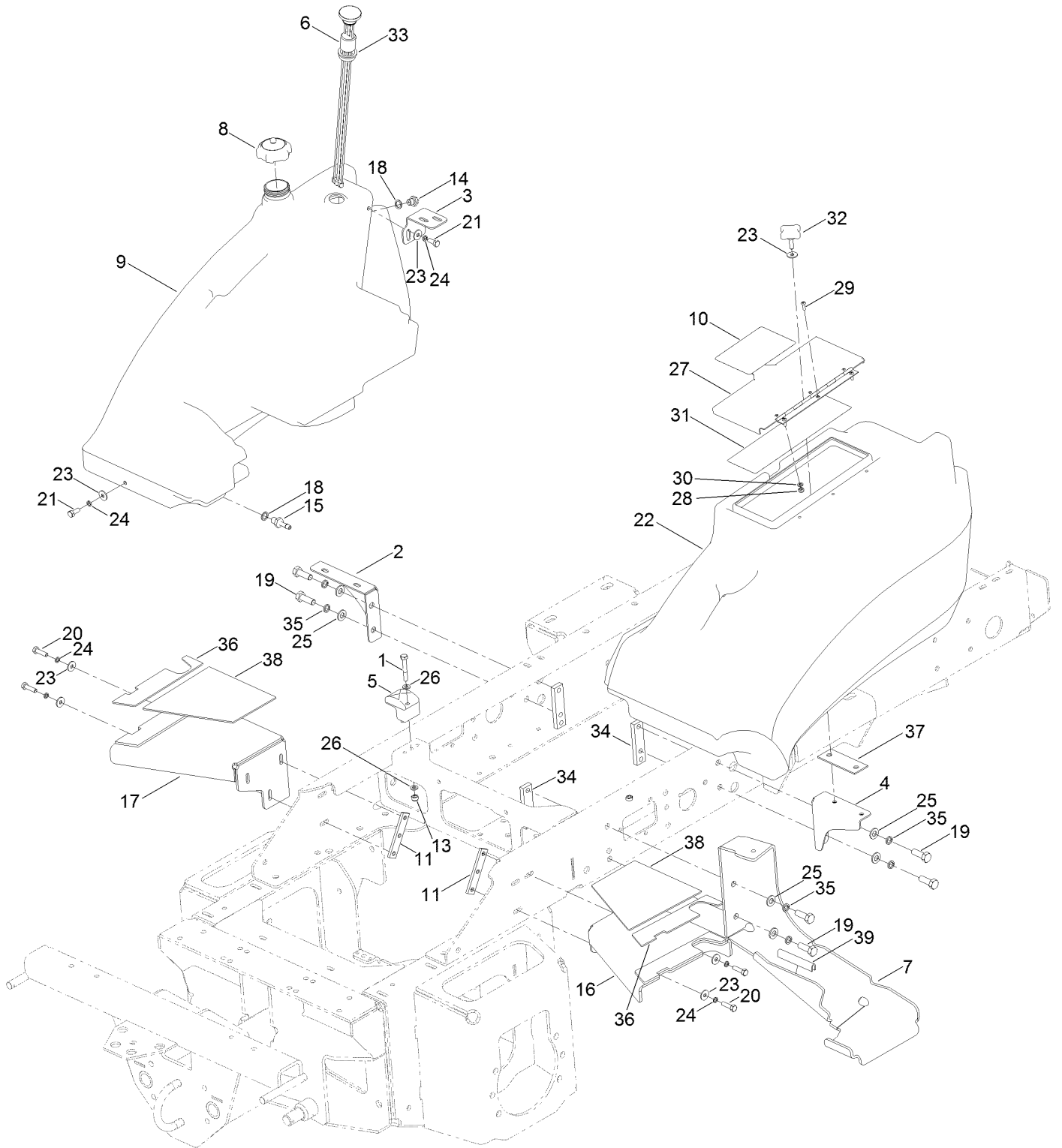
Pedal Control Assembly



Pedal Control Assembly (continued)

<i>Ref.</i>	<i>Part Number</i>	<i>Qty.</i>	<i>Description</i>	<i>Ref.</i>	<i>Part Number</i>	<i>Qty.</i>	<i>Description</i>
1	111-7175-03	1	Pedal-Mounting	23	ZCS1J030U	1	Screw-Soc
2	111-7122	1	Boss-Pedal, Link	24	111-2896	2	Rod-End, Female
4	111-9243-03	1	Forward Pedal ASM	25	111-6147	2	Rod End
4:1:3	953868	1	Bushing-Flange, Oilite	28	ZCS1H030U	4	Screw-Cap
5	10-11-017	2	Fitting-Straight	29	111-6948	6	Washer-Spring
6	09544	3	Nut-Nyloc	30	HY910808	1	Strip-Neoprene
7	ZNB1H000U	4	Nut	31	09472	1	Washer-Plain
8	09441	3	Nut-Hex, NI	34	09479	1	Washer-Plain
9	09449	2	Nut	35	111-4586	1	Screw-HSH
10	111-7068-03	1	Pedal Link ASM	36	09474	1	Washer-Spring
10:1:3	953868	1	Bushing-Flange, Oilite	37	111-7140	1	Cable-Transmission
11	111-1310	1	Pin-Control, Pedal	38	111-6133	1	Guard-Spiral
12	111-9244-03	1	Reverse Pedal ASM	41	09437	2	Nut
12:1:3	953868	1	Bushing-Flange, Oilite	42	09267	3	Washer
14	111-4579	2	Rod End-Female/Female	43	09480	1	Washer-Lock
16	09363	2	Screw-HH	44	111-7253-03	1	Deflector-Grass, Cutter (RH)
17	09373	3	Bolt-Coach	45	09364	2	Screw-HH
18	09392	2	Screw-HH	46	09262	4	Washer
19	09475	2	Washer	47	70-07-067	1	Tape-Slip, Anti
21	111-3567	1	Decal-Pedal, Operation				
22	ZNH1H000U	2	Nut-Hex				

Fuel Tank and Storage Pod Assembly

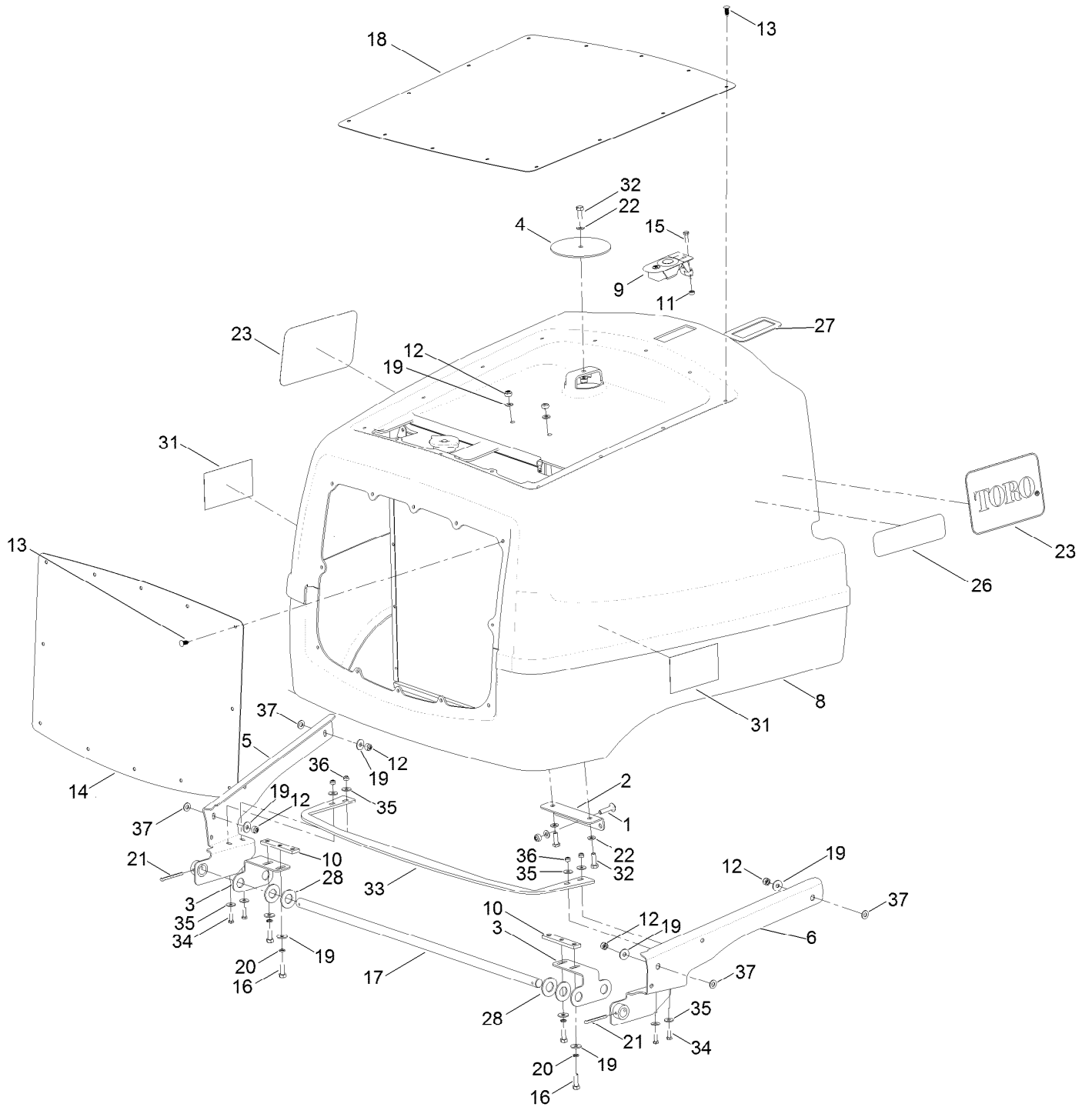


Fuel Tank and Storage Pod Assembly (continued)

<i>Ref.</i>	<i>Part Number</i>	<i>Qty.</i>	<i>Description</i>	<i>Ref.</i>	<i>Part Number</i>	<i>Qty.</i>	<i>Description</i>
1	09565	1	Screw-HH	22	111-3295	1	Pod-Storage
2	111-3452-03	1	Bracket-Fuel Tank	23	09267	9	Washer
3	111-3453-03	1	Bracket-Fuel Tank, Upper	24	03469	6	Washer-Spring
4	111-3424-03	1	Bracket-Storage Pod	25	HY09485	6	Washer-Plain
5	107-4543	1	Clamp	26	ZWP1H000U	2	Washer-Plain
6	104-5603	1	Gauge-Level, Fuel	27	111-7242-03	1	Cover-Storage
7	111-7306-01	1	Step-Foot, Rev	28	09430	3	Nut-Nyloc
8	111-3531	1	Cap-Fuel	29	111-3381	3	Screw-HSBH
9	111-3294	1	Tank-Fuel	30	09470	3	Washer
10	111-5007	1	Decal-Warning, Inclines	31	111-7249	1	Decal-Maintenance
11	111-3281	2	Bar-Nut	32	111-3666	3	Handwheel
13	09441	1	Nut-Hex, NI	33	95-8972	1	Grommet
14	910352	1	Pipe-Fuel, Return	34	111-4490	3	Bar-Nut
15	910351	1	Pipe-Suction, Fuel	35	09599	6	Washer-Lock
16	111-9042-03	1	Support-Platform	36	111-9044	2	Pad-Support, Outer
17	111-9041-03	1	Support-Platform	37	111-5388	1	Pad-Rubber, Storage Pod
18	111-3925	2	Washer-Fiber	38	111-9043	2	Pad-Support, Inner
19	ZDH1L035U	6	Screw-HH	39	50-08-001	1	Edging-Rubber
20	09369	4	Screw-HH	99	70-07-067	1	Tape-Slip, Anti ●
21	09368	2	Screw-HH				

● Not illustrated

Hood Assembly

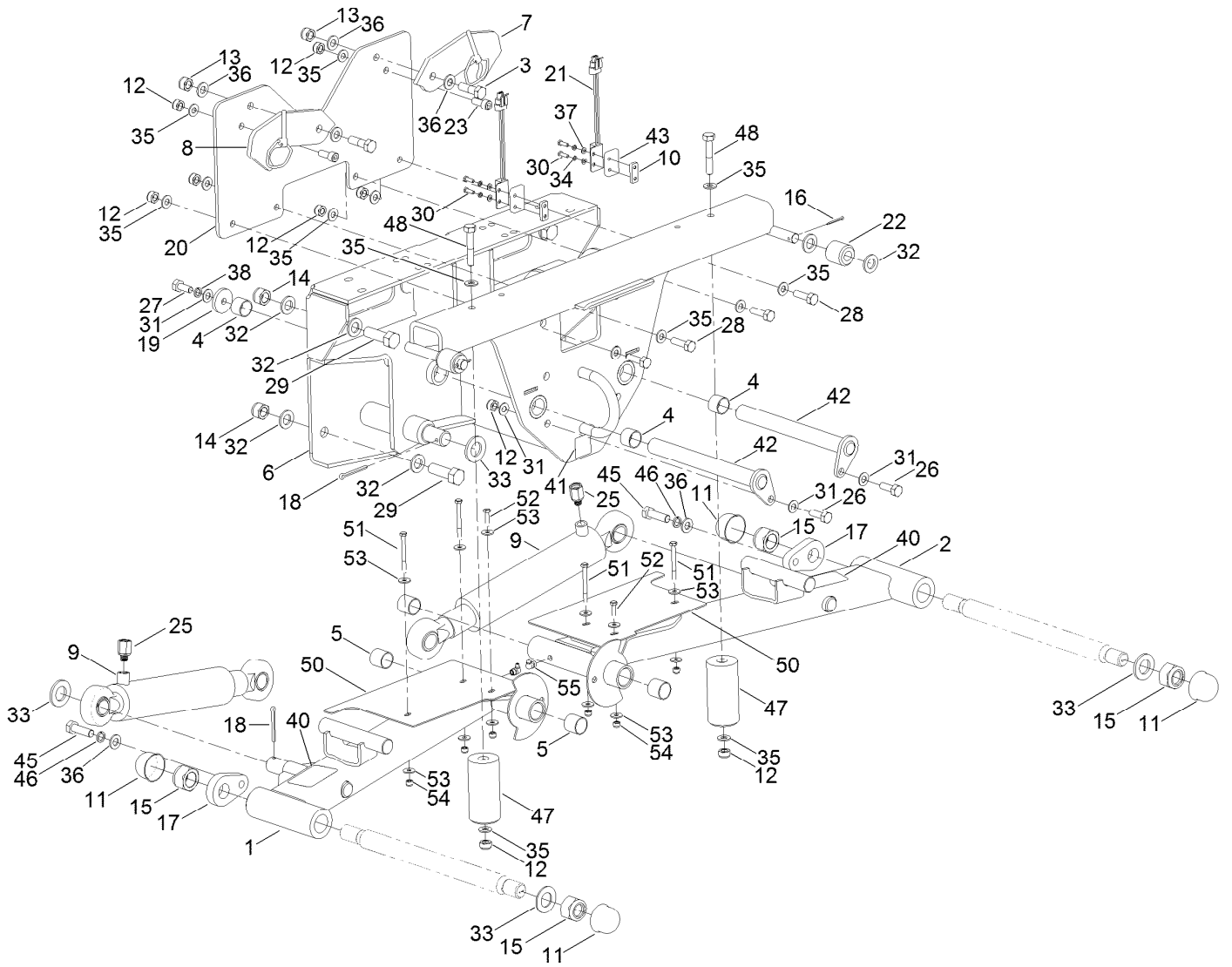


Hood Assembly (continued)

<i>Ref.</i>	<i>Part Number</i>	<i>Qty.</i>	<i>Description</i>	<i>Ref.</i>	<i>Part Number</i>	<i>Qty.</i>	<i>Description</i>
1	09369	1	Screw-HH	19	09267	11	Washer
2	111-2111-03	1	Bracket-Engine, Cover	20	03469	4	Washer-Spring
3	111-7483-03	2	Bracket, Hinge-Shaft	21	74-11-003	2	Pin-Split
4	111-3557-03	1	Cover-Air, Intake	22	ZWP1H000U	4	Washer-Plain
5	111-3490-03	1	Hinge-Cover, Engine (LH)	23	111-3728	2	Decal
6	111-3491-03	1	Hinge-Cover, Engine (RH)	26	111-3984	2	Decal
8	111-6920	1	Cover-Engine	27	111-4158-03	1	Plate-Support, Latch
9	950831	1	Latch-Sealed, Lever	28	09499	4	Washer
10	111-3281	2	Bar-Nut	31	94-8099	2	Decal
11	09437	1	Nut	32	09368	3	Screw-HH
12	09441	8	Nut-Hex, NI	33	111-8236-03	1	Plate-Tie, Cover
13	117-2382	26	Plug-Plastic	34	09363	4	Screw-HH
14	111-6919-03	1	Screen-Rear	35	09262	8	Washer
15	09364	1	Screw-HH	36	09438	4	Nut-Nyloc
16	03162	4	Screw-HH	37	09475	4	Washer
17	111-7482	1	Shaft-Hinge, Cover	99	111-7488	5	Seal-Cover, Screen ●
18	111-6918-03	1	Screen-Top				

● Not illustrated

Front Lift Arm Assembly

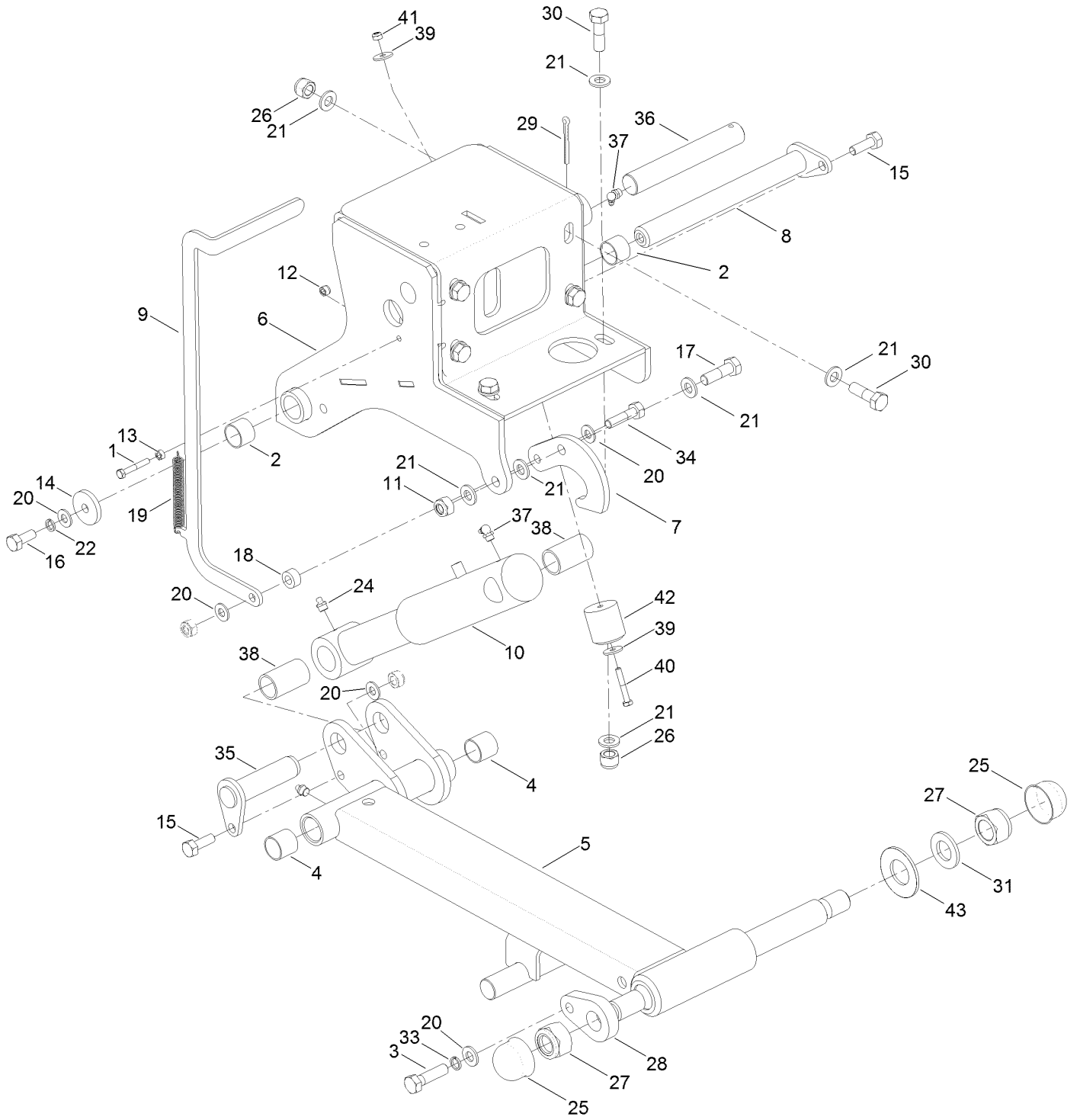


Front Lift Arm Assembly (continued)

<i>Ref.</i>	<i>Part Number</i>	<i>Qty.</i>	<i>Description</i>	<i>Ref.</i>	<i>Part Number</i>	<i>Qty.</i>	<i>Description</i>
1	111-1390-03	1	Arm-Front, RH	27	09395	2	Screw-HH
2	111-4100-03	1	Arm-Front, LH	28	ZDH1J035U	4	Screw-HH
3	63-11-010	2	Bolt-HH	29	ZDH1P050U	8	Screw-HH
4	74-07-028	4	Bushing	30	ZDH1E016U	4	Screw-HH
5	876066	4	Bushing	31	09479	6	Washer-Plain
6	111-8096-03	1	Frame-Pivot, Arm	32	09491	20	Washer-Plain
7	111-7922-01	1	Plate-Latch, LH	33	09555	6	Washer
8	111-7921-01	1	Plate-Latch, RH	34	09644	4	Washer-Spring
9	111-1998	2	HYD Lift Cylinder ASM	35	ZWQ1J000U	14	Washer-Plain
9:1	111-2561	2	Fitting-Grease ●	36	HY09485	6	Washer-Plain
9:2	111-3471	1	Seal Kit ●	37	09470	4	Washer
10	111-3336	2	Bar-Switch, Proximity	38	09480	2	Washer-Lock
11	10-11-100	4	Cap-Nut	40	70-13-077	2	Decal-Danger
12	ZNN1J000U	10	Nut-Hex, NI	41	70-13-072	1	Decal
13	09650	2	Nut-Hex, Nyloc	42	111-3248	2	Pin-Pivot, Front Arm
14	09456	8	Nut	43	111-3676	2	Spacer-Switch, Proximity
15	ZNN1X000U	4	Nut-Hex, Nyloc	45	ZDH1L040U	2	Screw-HH
16	70-11-005	2	Pin-Split	46	09599	2	Washer-Lock
17	63-01-185W	2	Retainer-Pin	47	111-4157	2	Stop-Bump
18	74-11-003	4	Pin-Split	48	09397	2	Bolt
19	111-3366	2	Plate-Retaining, Bush	50	111-6822-03	2	Deflector-Arm, Mounted
20	111-4093-03	1	Mount-Latch, Plate	51	09703	4	Bolt-HH
21	105-0023	2	Switch-Proximity	52	09364	2	Screw-HH
22	922112	2	Roller	53	09262	12	Washer
23	ZCS1J025U	2	Screw-HSH	54	09544	6	Nut-Nyloc
25	111-3538	2	Adaptor	55	63-07-027	2	Zerk-Grease, BSP (90 DEG)
26	09392	2	Screw-HH				

● Not illustrated

Center Arm Assembly

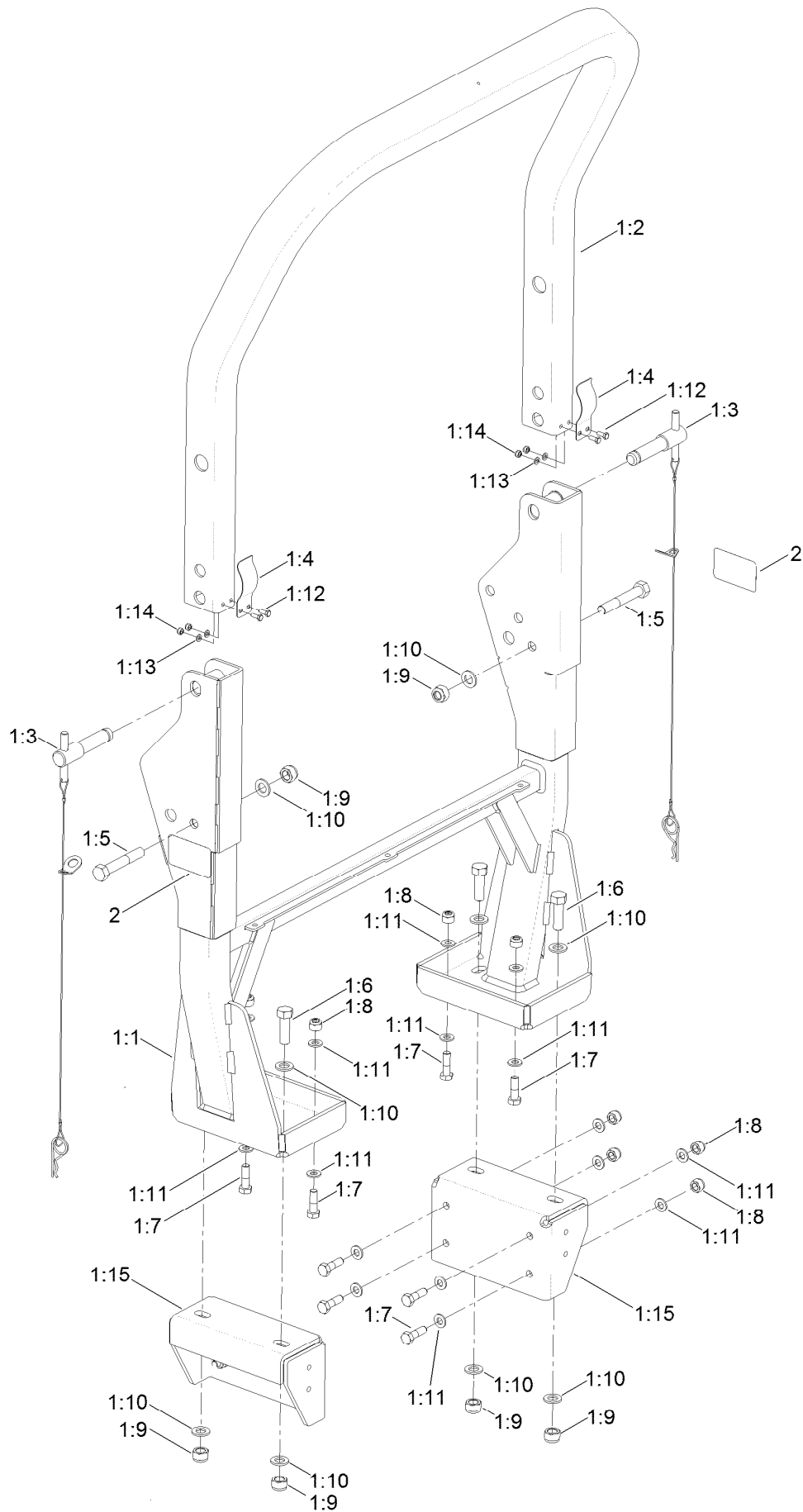


Center Arm Assembly (continued)

<i>Ref.</i>	<i>Part Number</i>	<i>Qty.</i>	<i>Description</i>	<i>Ref.</i>	<i>Part Number</i>	<i>Qty.</i>	<i>Description</i>
1	ZBH1F040U	1	Screw-HH	21	HY09485	17	Washer-Plain
2	74-07-028	2	Bushing	22	09480	1	Washer-Lock
3	ZBH1L045U	1	Screw-HH	24	10-11-017	1	Fitting-Straight
4	876066	2	Bushing	25	10-11-100	2	Cap-Nut
5	111-5158-03	1	Center Arm ASM	26	ZNN1L000U	6	Nut-Nyloc
6	111-5190-03	1	Center Arm Mount ASM	27	ZNN1X000U	2	Nut-Hex, Nyloc
7	111-3099-01	1	Latch-Head, Center	28	63-01-185W	1	Retainer-Pin
8	111-3248	1	Pin-Pivot, Front Arm	29	74-11-003	2	Pin-Split
9	111-3122-01	1	Handle-Head, Center	30	09415	6	Screw-HH
10	910109W	1	Cylinder-Lift	31	09555	3	Washer
10:99	50-06-013	1	Seal Kit ●	33	09599	1	Washer-Lock
11	09650	1	Nut-Hex, Nyloc	34	09611	1	Bolt-HH
12	09544	1	Nut-Nyloc	35	74-05-108	1	Pin-Wing, Arm
13	09437	1	Nut	36	111-5212	1	Pin-Plain
14	111-3366	1	Plate-Retaining, Bush	37	63-07-027	2	Zerk-Grease, BSP (90 DEG)
15	09392	2	Screw-HH	38	25-07-007	2	Bushing-Tension
16	09395	1	Screw-HH	39	09263	2	Washer
17	ZDH1L035U	1	Screw-HH	40	ZBH1F040U	1	Screw-HH
18	111-3457	1	Spacer-Latch, Center Head	41	09438	1	Nut-Nyloc
19	111-3329	1	Spring-Latch, Center Head	42	61-07-003	1	Buffer-Rubber
20	ZWQ1J000U	7	Washer-Plain	43	767815	1	Washer-Belleville

● Not illustrated

Roll-Over Protection System Assembly



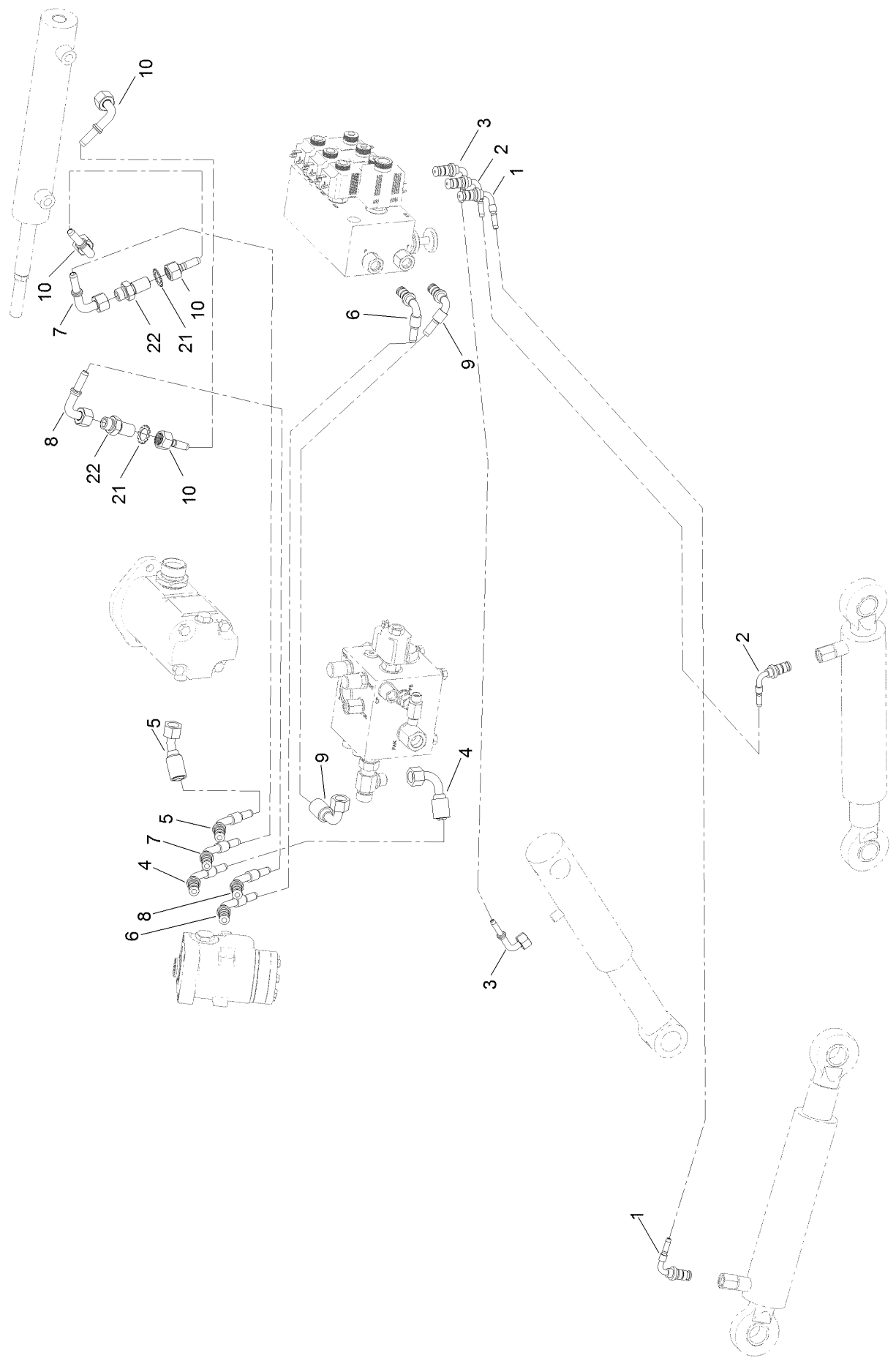
Roll-Over Protection System Assembly (continued)

<i>Ref.</i>	<i>Part Number</i>	<i>Qty.</i>	<i>Description</i>	<i>Ref.</i>	<i>Part Number</i>	<i>Qty.</i>	<i>Description</i>
1		1	ROPS ASM ●■	1:9	09456	6	Nut
1:1	111-9047-03	1	ROPS-Lower	1:10	09491	10	Washer-Plain
1:2	111-8040-03	1	ROPS-Upper	1:11	HY09485	24	Washer-Plain
1:3	111-9280	2	Pin Assembly	1:12	09362	4	Screw-HH
1:4	110-5696	2	Spring-Leaf	1:13	09472	4	Washer-Plain
1:5	ZBH1P100U	2	Bolt	1:14	09438	4	Nut-Nyloc
1:6	ZDH1P050U	4	Screw-HH	1:15	111-9065-03	2	Bracket-Chassis, ROPS
1:7	63-11-010	12	Bolt-HH	2	111-0773	2	Decal
1:8	111-9291	12	Nut-Hex, Nyloc				

● Not illustrated

■ Not serviced separately

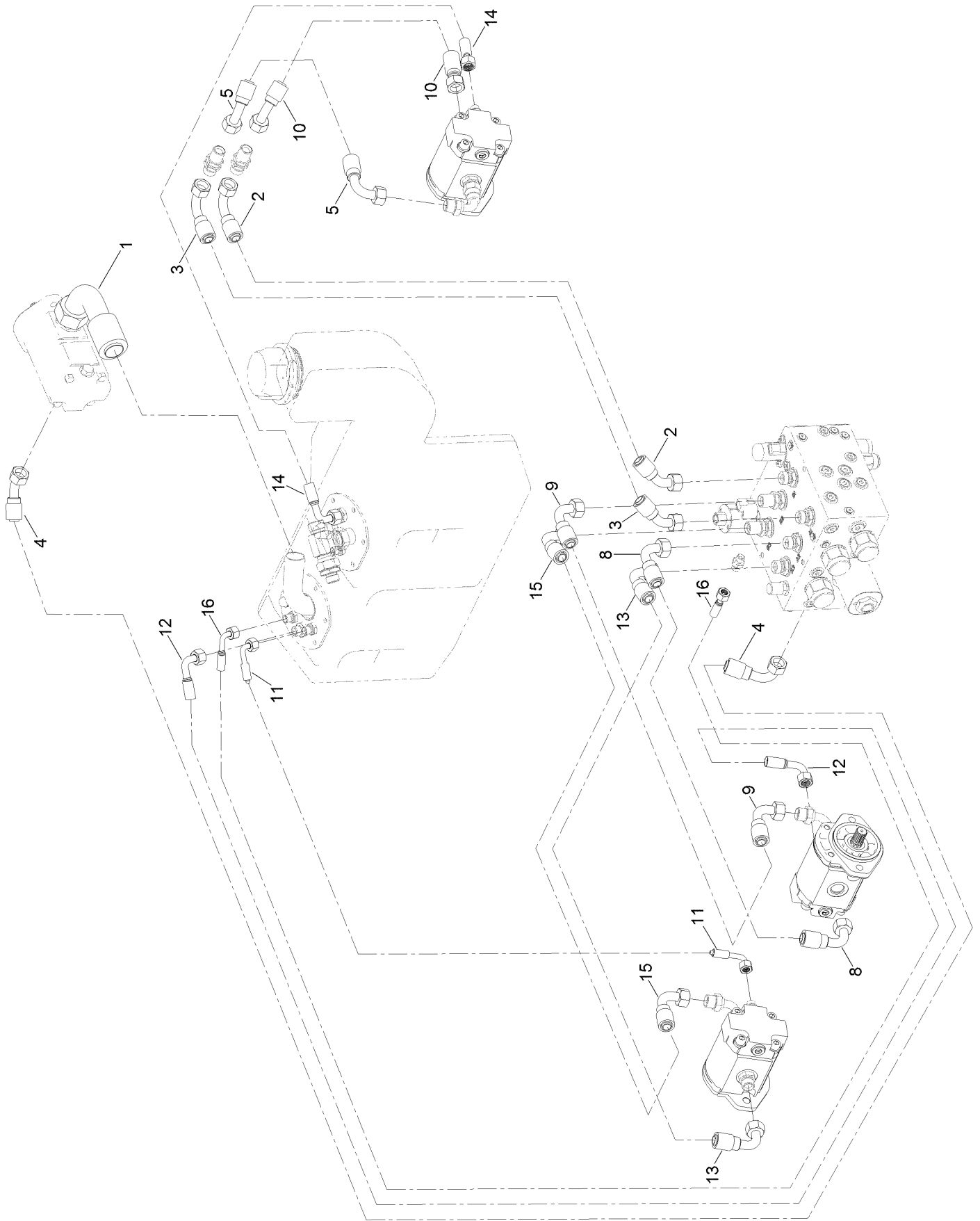
Lift/Steer Hydraulic Circuit Assembly



Lift/Steer Hydraulic Circuit Assembly (continued)

<i>Ref.</i>	<i>Part Number</i>	<i>Qty.</i>	<i>Description</i>	<i>Ref.</i>	<i>Part Number</i>	<i>Qty.</i>	<i>Description</i>
1	111-3602	1	Hose	7	111-7538	1	Hose
2	111-3603	1	Hose	8	111-7539	1	Hose
3	111-3611	1	Hose	9	111-3618	1	Hose
4	111-3613	1	Hose	10	111-7537	2	Hose
5	111-3614	1	Hose	21	111-5622	2	Washer-Lock, Serrated
6	111-3615	1	Hose	22	30-06-208	2	Adaptor

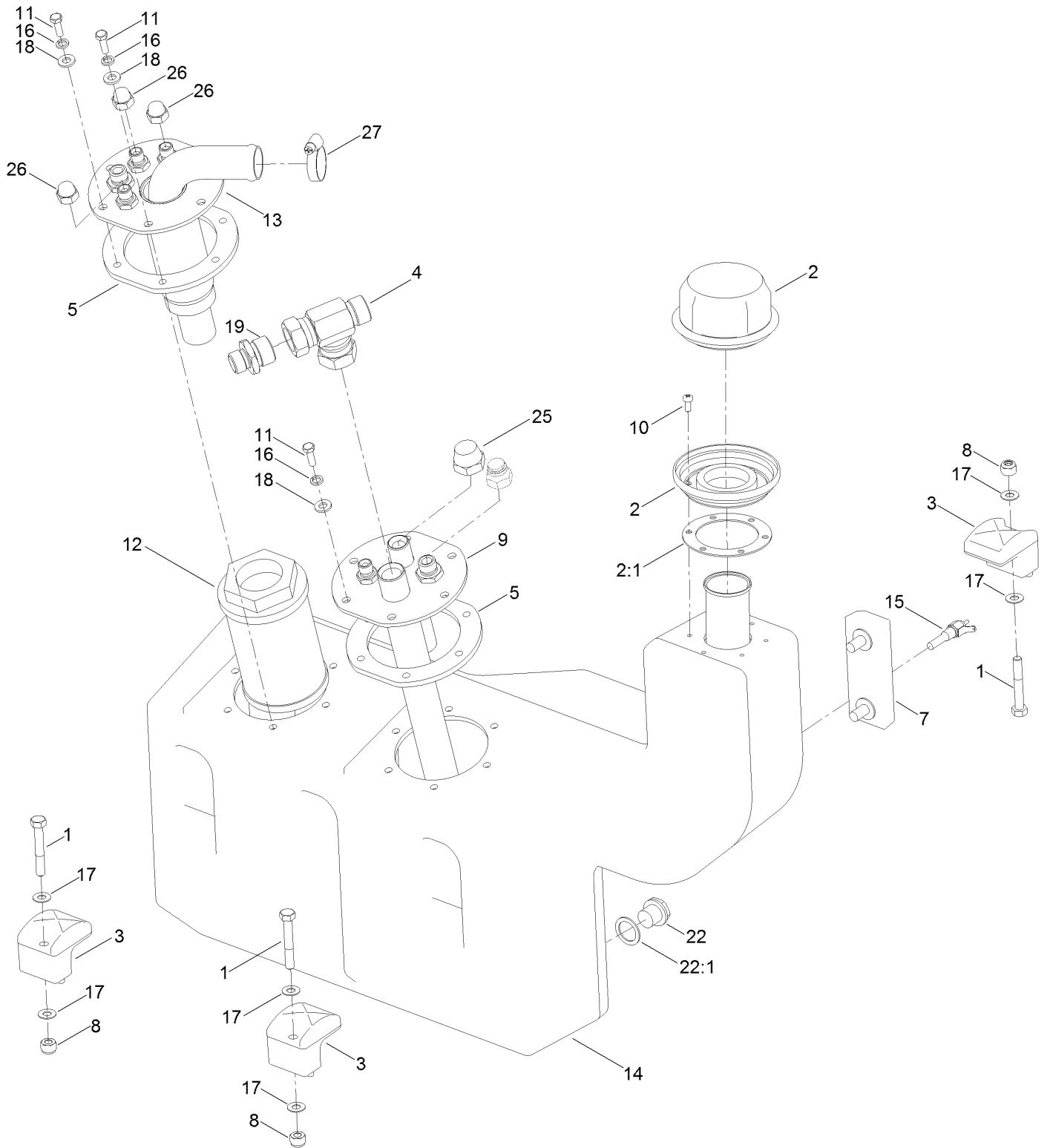
Cutter Hydraulic Circuit Assembly



Cutter Hydraulic Circuit Assembly (continued)

<i>Ref.</i>	<i>Part Number</i>	<i>Qty.</i>	<i>Description</i>	<i>Ref.</i>	<i>Part Number</i>	<i>Qty.</i>	<i>Description</i>
1	111-5486	1	Hose	10	111-6772	1	Hose
2	111-6766	1	Hose	11	111-9324	1	Hose
3	111-6767	1	Hose	12	111-9830	1	Hose
4	111-6768	1	Hose	13	111-8070	1	Hose
5	111-6769	1	Hose	14	134-0079	1	Hose
8	111-8072	1	Hose	15	111-8071	1	Hose
9	111-8073	1	Hose	16	111-9325	1	Hose

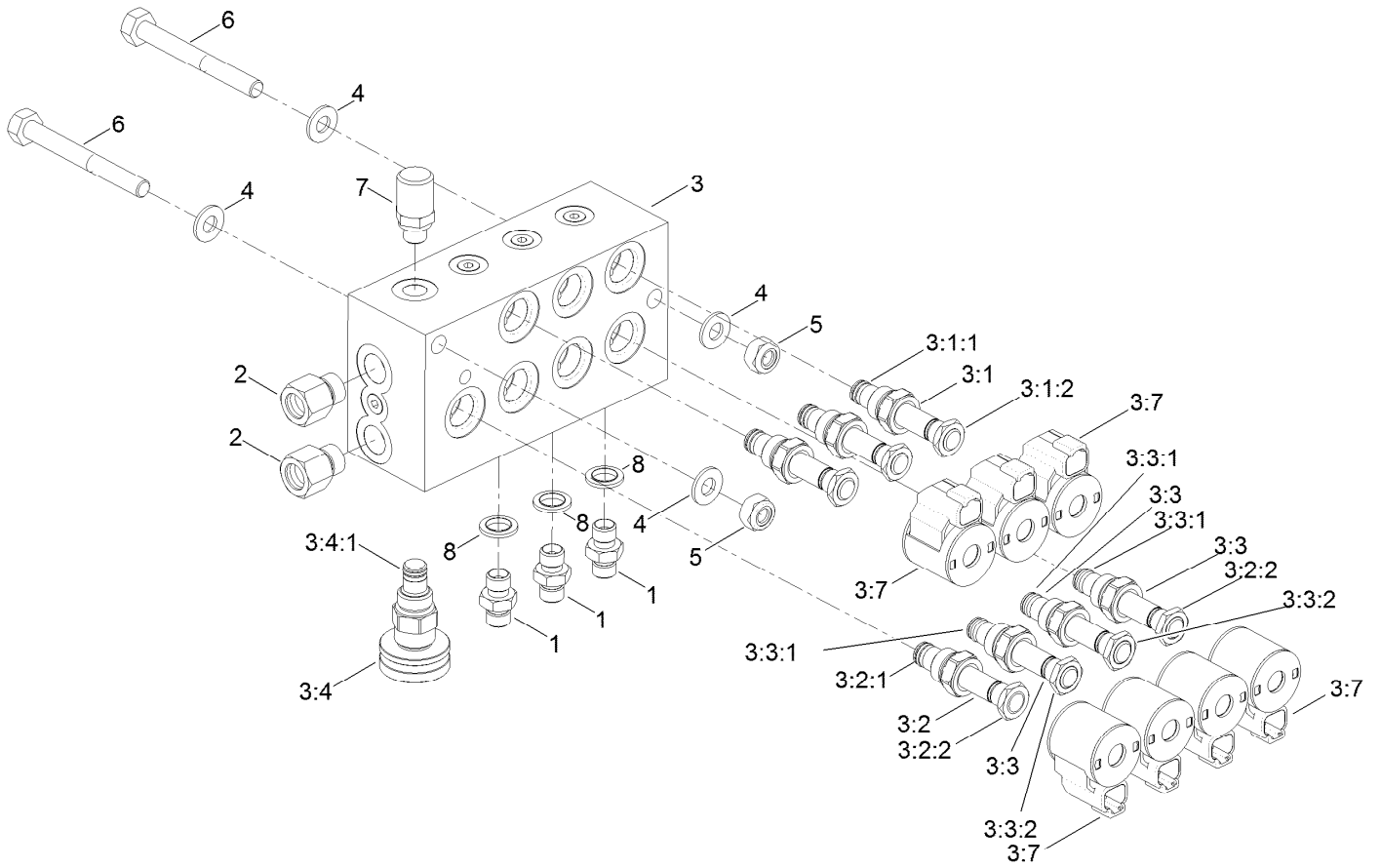
Hydraulic Oil Tank Assembly



Hydraulic Oil Tank Assembly (continued)

<i>Ref.</i>	<i>Part Number</i>	<i>Qty.</i>	<i>Description</i>	<i>Ref.</i>	<i>Part Number</i>	<i>Qty.</i>	<i>Description</i>
1	09565	3	Screw-HH	13	111-9532	1	Flange-Suction
2	HY910601	1	Cap-Breather, Filler	14	111-9528	1	Tank-Oil, Hydraulic
2:1	910648	1	Cap-Gasket, Filler	15	940852	1	Switch-Temperature
3	107-4543	3	Clamp	16	09474	12	Washer-Spring
4	60-06-009	1	Adaptor-Tee	17	09475	6	Washer
5	111-9531	2	Gasket-Flange	18	09472	12	Washer-Plain
7	65-06-018	1	Gauge-Level, Oil	19	09-06-201	1	Adaptor
8	09442	3	Nut	22	20-06-207	1	Plug-Magnetic
9	111-9533-03	1	Flange-Return	22:1	111-7925	1	Washer-Fiber
10	09634	6	Screw-PPH, HD	25	65-06-330	1	Cap-BSP
11	09363	12	Screw-HH	26	66-06-003	1	Cap-BSP
12	10-06-025	1	Filter-Suction	27	10-11-034	1	Clamp-Hose, Hi-Torque

Lift Manifold Assembly

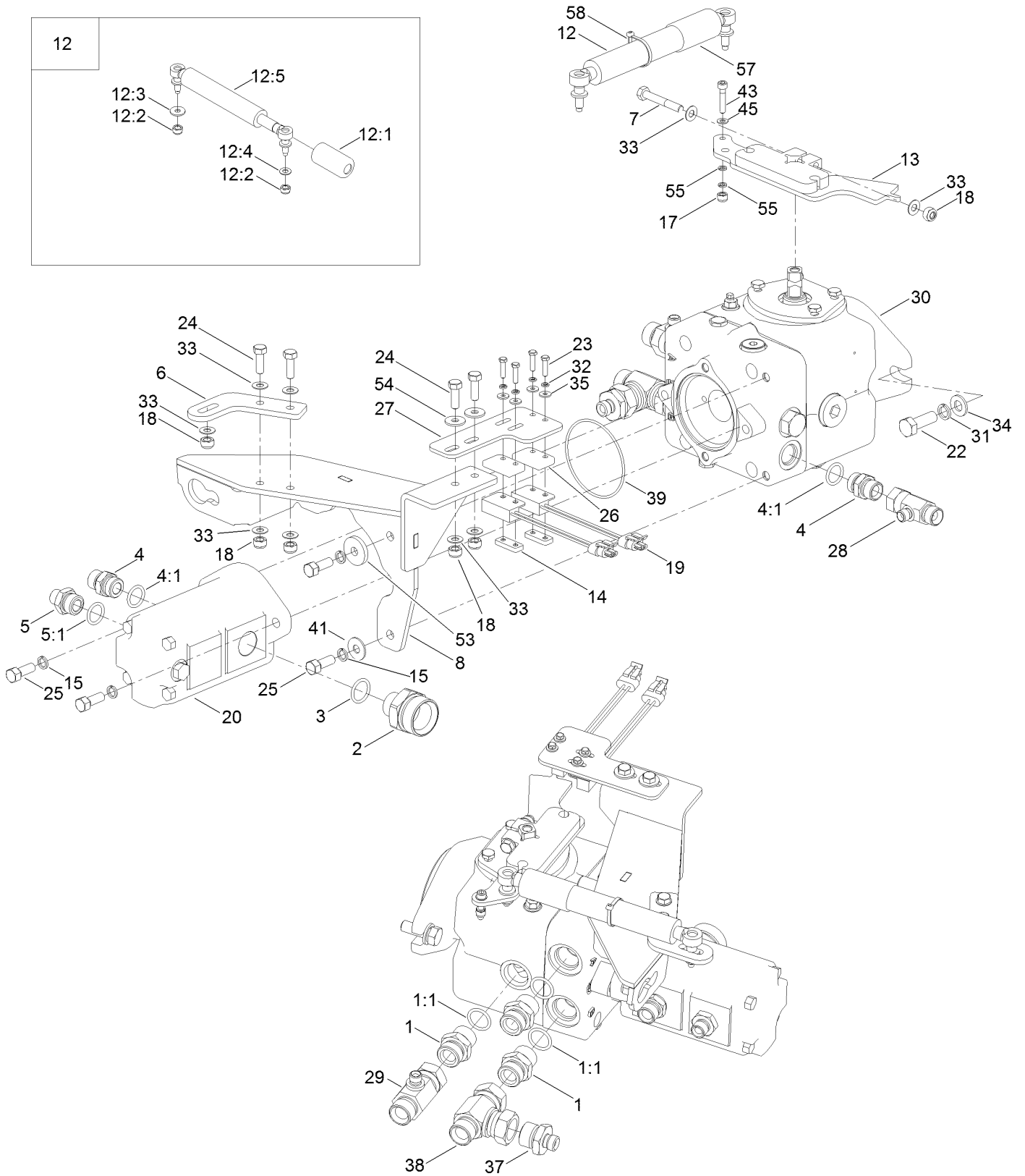


Lift Manifold Assembly (continued)

<i>Ref.</i>	<i>Part Number</i>	<i>Qty.</i>	<i>Description</i>	<i>Ref.</i>	<i>Part Number</i>	<i>Qty.</i>	<i>Description</i>
1	10-06-085	3	Adaptor	3:3:2	110-2634	1	Nut-Coil
2	111-3509	2	Adaptor	3:4	111-5513	1	Valve-Needle, Weight
3	111-8419	1	Manifold-Control, Lift	3:4:1	107-7527	1	Seal Kit
3:1	111-9623	3	Valve-Solenoid	3:5	111-9625	3	Orifice-Flow, Control ●
3:1:1	107-7527	1	Seal Kit	3:6	106-1025	4	Plug-HYD ●
3:1:2	110-2634	1	Nut-Coil	3:7	112-0197	7	E Coil-12V Dc
3:2	111-9624	1	Valve-Solenoid	4	ZWQ1J000U	4	Washer-Plain
3:2:1	105-9156	1	Seal Kit	5	ZNN1J000U	2	Nut-Hex, NI
3:2:2	107-7812	1	Nut-Solenoid	6	ZBH1J090U	2	Screw-HH
3:3	112-9206	3	Solenoid Valve ASM	7	910615	1	Point-BSPP
3:3:1	105-9156	1	Seal Kit	8	10-06-030	3	Seal-Dowty

● Not illustrated

Transmission and Tandem Pump Assembly



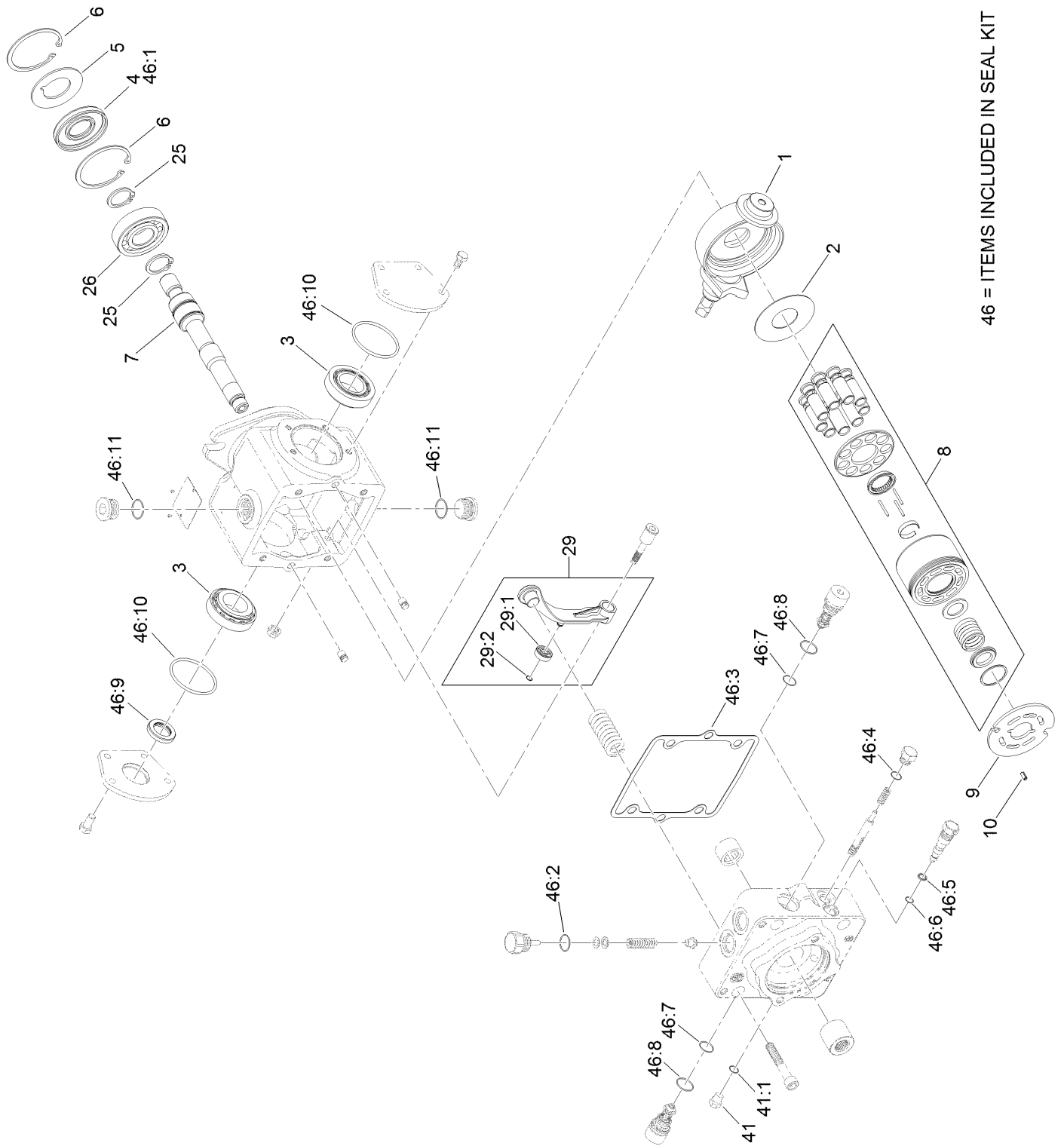
HYD FITTINGS VARIATION 30657

Transmission and Tandem Pump Assembly (continued)

<i>Ref.</i>	<i>Part Number</i>	<i>Qty.</i>	<i>Description</i>	<i>Ref.</i>	<i>Part Number</i>	<i>Qty.</i>	<i>Description</i>
1	70-06-050	3	Adaptor-Boss	20:99	70-06-153	1	Seal Kit ●
1:1	70-06-168	1	Seal-O Ring	22	ZDH1L035U	2	Screw-HH
2	134-0023	1	Adaptor M/M	23	ZDH1E020U	4	Screw-HH
3	70-06-168	1	Seal-O Ring	24	03162	4	Screw-HH
4	63-06-104	2	Adaptor-BSP	25	HY103653	4	Screw-HH
4:1	63-06-111	1	Seal-O Ring	26	111-3676	2	Spacer-Switch, Proximity
5	70-06-053	1	Adaptor-Boss	27	111-3260-03	1	Adjuster-Switches
5:1	63-06-111	1	Seal-O Ring	28	74-06-019	1	Adaptor-Tee
6	111-6853-03	1	Adjuster-Damper	29	111-3639	1	Tee-BSP
7	09565	1	Screw-HH	30	111-6774	1	Pump-Transmission
8	111-6456-03	1	Bracket-Control, Pump	31	09599	2	Washer-Lock
12	111-9548	1	Damper Kit	32	09644	4	Washer-Spring
12:1	111-9774	1	Sleeve-Rubber	33	09475	10	Washer
12:2	09441	2	Nut-Hex, NI	34	HY09485	2	Washer-Plain
12:3	09267	1	Washer	35	09257	4	Washer
12:4	09475	1	Washer	37	20-06-212	1	Adaptor-BSP
12:5	111-8425	1	Damper	38	60-06-009	1	Adaptor-Tee
12:99	74-07-020	1	Tie-Cable ●	39	70-06-028	1	O-Ring
13	111-6814	1	Lever-Control, Pump	41	HY03355	1	Washer-Plated
14	111-3336	2	Bar-Switch, Proximity	43	111-4586	1	Screw-HSH
15	09273	4	Washer-Spring	45	ZWP1F000U	1	Washer-Plain
17	09544	1	Nut-Nyloc	53	65-01-559	1	Washer-Space
18	09441	7	Nut-Hex, NI	54	09267	2	Washer
19	105-0023	2	Switch-Proximity	55	09474	2	Washer-Spring
20	111-3553	1	Tandem Pump ASM	57	111-9774	1	Sleeve-Rubber
20:1	70-06-028	1	O-Ring ●	58	HY3966	1	Tie-Cable

● Not illustrated

Hydraulic Pump Assembly No. 111-6774



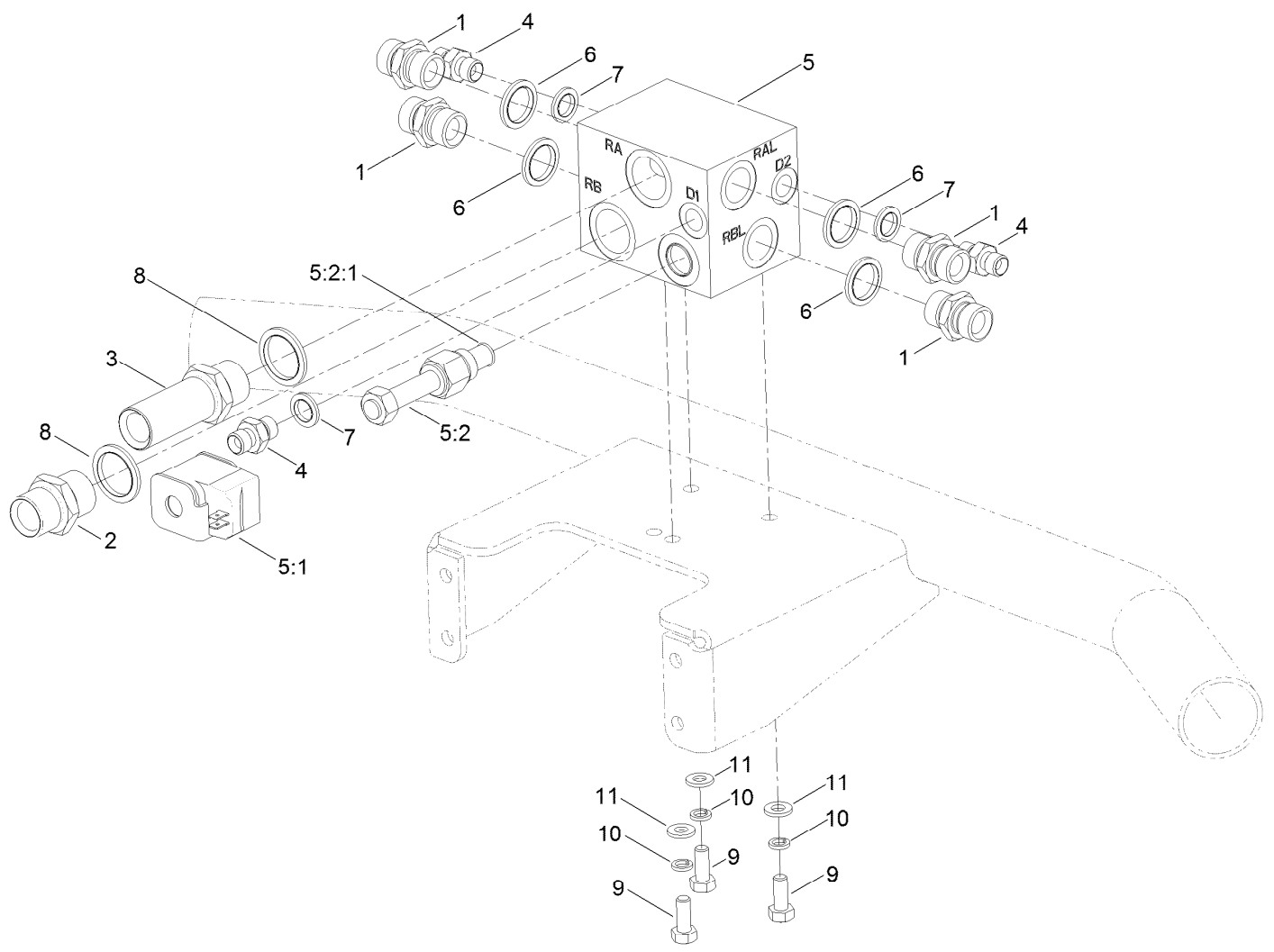
46 = ITEMS INCLUDED IN SEAL KIT

Hydraulic Pump Assembly No. 111-6774 (continued)

<i>Ref.</i>	<i>Part Number</i>	<i>Qty.</i>	<i>Description</i>	<i>Ref.</i>	<i>Part Number</i>	<i>Qty.</i>	<i>Description</i>
1	115-8092	1	Swashplate	41		1	Plug-Flush ●
2	75-0400	1	Plate-Thrust	41:1	111-4928	1	O-Ring
3	110-6483	2	Bearing Kit	46	110-6481	1	Seal Kit
4	110-6471	1	Seal-Lip	46:1	110-6471	1	Seal-Lip
5	95-4400	1	Washer-Backup	46:2	28-3570	1	O-Ring
6	69-3200	2	Ring-Retaining	46:3	110-6476	1	Gasket-Cap, End
7	111-9640	1	Shaft-Auxiliary	46:4	131-8631	2	O-Ring
8	110-6472	1	Cylinder Block Kit	46:5	25-2630	1	Ring-Back Up
9	110-6473	1	Plate-Valve (Clockwise)	46:6	110-6498	1	O-Ring
10	131-3800	1	Pin-Slotted	46:7	75-0240	2	O-Ring
25	69-3170	2	Ring-Retaining	46:8	84-0560	2	O-Ring
26	75-0460	1	Bearing-Ball	46:9	110-6478	1	Seal-Lip
29	110-6497	1	Neutral Return Arm ASM	46:10	84-0430	2	O-Ring
29:1	110-6494	1	Bearing-Cam	46:11	131-8614	2	O-Ring
29:2	110-3056	1	Ring-Retaining				

● Not serviced separately

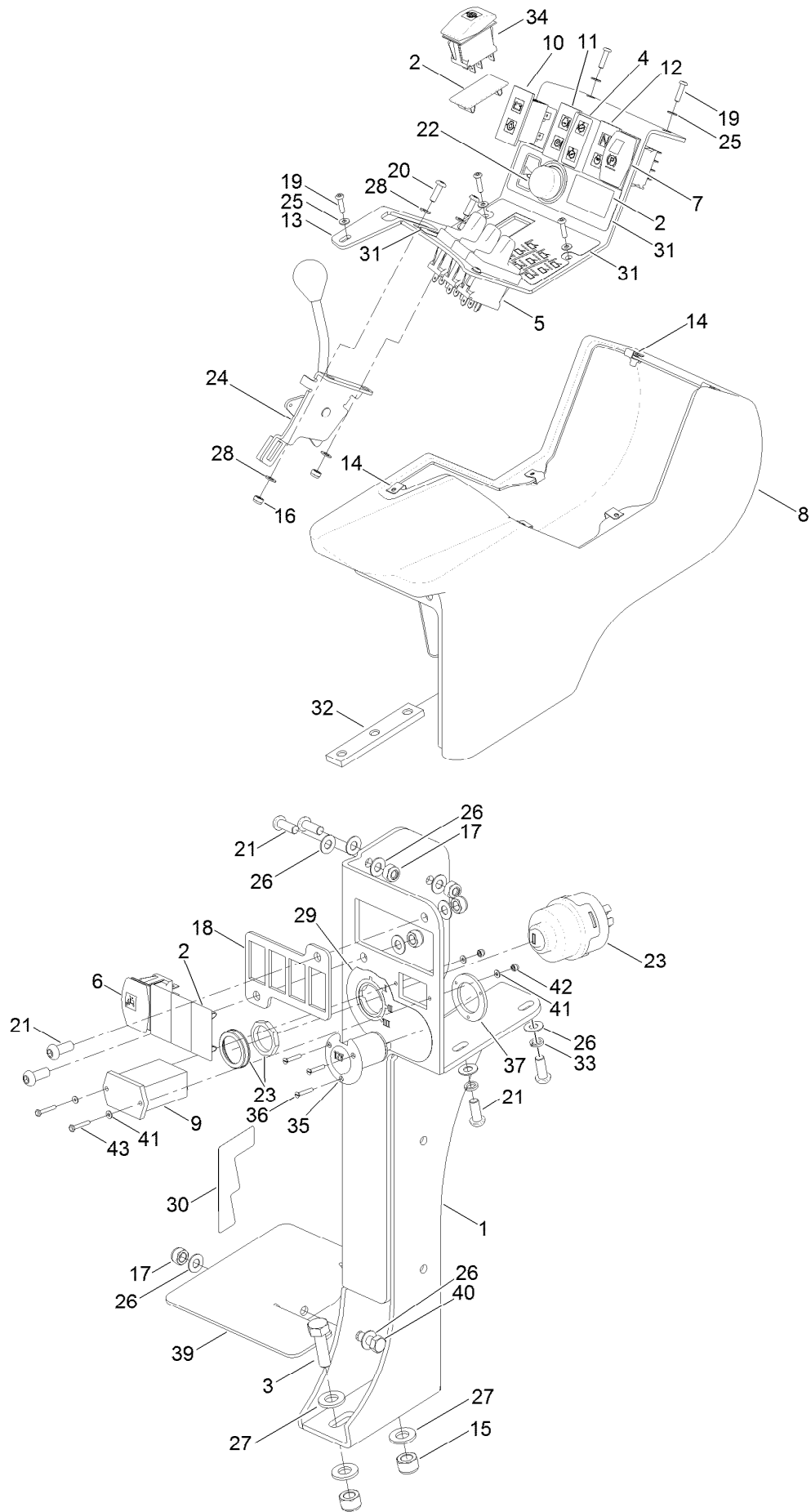
Rear Transmission Block Assembly



Rear Transmission Block Assembly (continued)

<i>Ref.</i>	<i>Part Number</i>	<i>Qty.</i>	<i>Description</i>	<i>Ref.</i>	<i>Part Number</i>	<i>Qty.</i>	<i>Description</i>
1	10-06-078	4	Adaptor-BSPP	5:2:1	910642	1	Seal Kit
2	10-06-044	1	Adaptor-BSP	6	10-06-032	4	Seal-Dowty
3	111-7494	1	Adaptor-BSP	7	10-06-030	3	Seal-Dowty
4	10-06-085	3	Adaptor	8	10-06-033	2	Seal-Dowty
5	924687	1	Manifold-Transmission, Rear	9	09368	3	Screw-HH
5:1	910627	1	Coil-Solenoid	10	03469	3	Washer-Spring
5:2	924688	1	Valve-Solenoid	11	ZWP1H000U	3	Washer-Plain

Control Panel Assembly

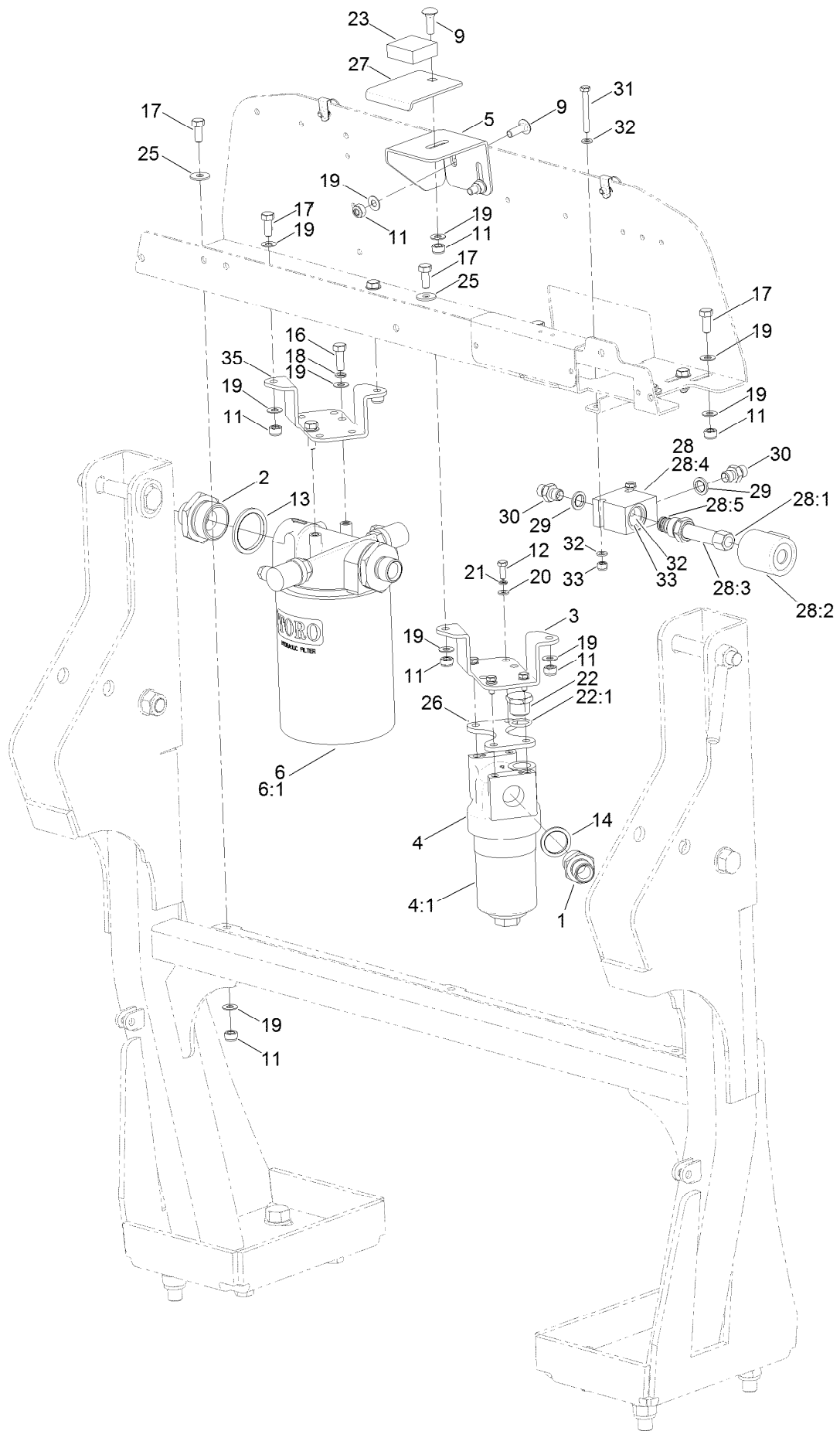


Control Panel Assembly (continued)

<i>Ref.</i>	<i>Part Number</i>	<i>Qty.</i>	<i>Description</i>	<i>Ref.</i>	<i>Part Number</i>	<i>Qty.</i>	<i>Description</i>
1	111-8496-03	1	Control Arm ASM	23	74-09-009	1	Switch-Ignition
2	111-2337	4	Blank-Switch	23:1	74-09-017	1	Key-Ignition ●
3	09394	2	Bolt	23:2	74-09-010	1	Switch-Cover ●
4	111-2253	1	Switch-Cutters	24	111-7090	1	Cable-Throttle
5	111-2956	3	Switch-Lift	25	09658	6	Washer
6	111-2451	1	Switch-Limited	26	09475	10	Washer
7	111-2254	1	Switch-Parking Brake, On-None-On	27	HY09485	4	Washer-Plain
8	111-3004	1	Pod-Control	28	09470	4	Washer
9	75-6820	1	Hourmeter	29	111-3344	1	Decal-Switch, Ignition
10	111-2333	1	Indicator-Illuminated	30	111-3658	1	Decal-Latch, Cutterhead
11	111-2334	1	Indicator-Illuminated	31	111-3277	1	Decal
12	111-3026	1	Indicator-Illuminated	32	111-3281	1	Bar-Nut
13	111-2963-03	1	Instrument-Panel	33	03469	2	Washer-Spring
14	111-3079	6	U-Nut	34	111-8021	1	Switch-Lock
15	09447	2	Nut	35	111-2888	1	Socket
16	09430	2	Nut-Nyloc	36	111-3539	3	Screw-Slot, Countersunk
17	09441	5	Nut-Hex, NI	37	111-6026	1	Bracket-Securing
18	111-8494-03	1	Plate-Switch	39	111-5239-03	1	Plate-Filler
19	111-3473	6	Screw-Button	40	09368	1	Screw-HH
20	111-3381	2	Screw-HSBH	41	HY09697	4	Washer-Plain
21	ZHS1H020U	6	Screw-HSBH	42	HY09698	2	Nut-Nyloc
22	924618	1	Switch-Horn, Push	43	09696	2	Setscrew

● Not illustrated

Filter Assembly

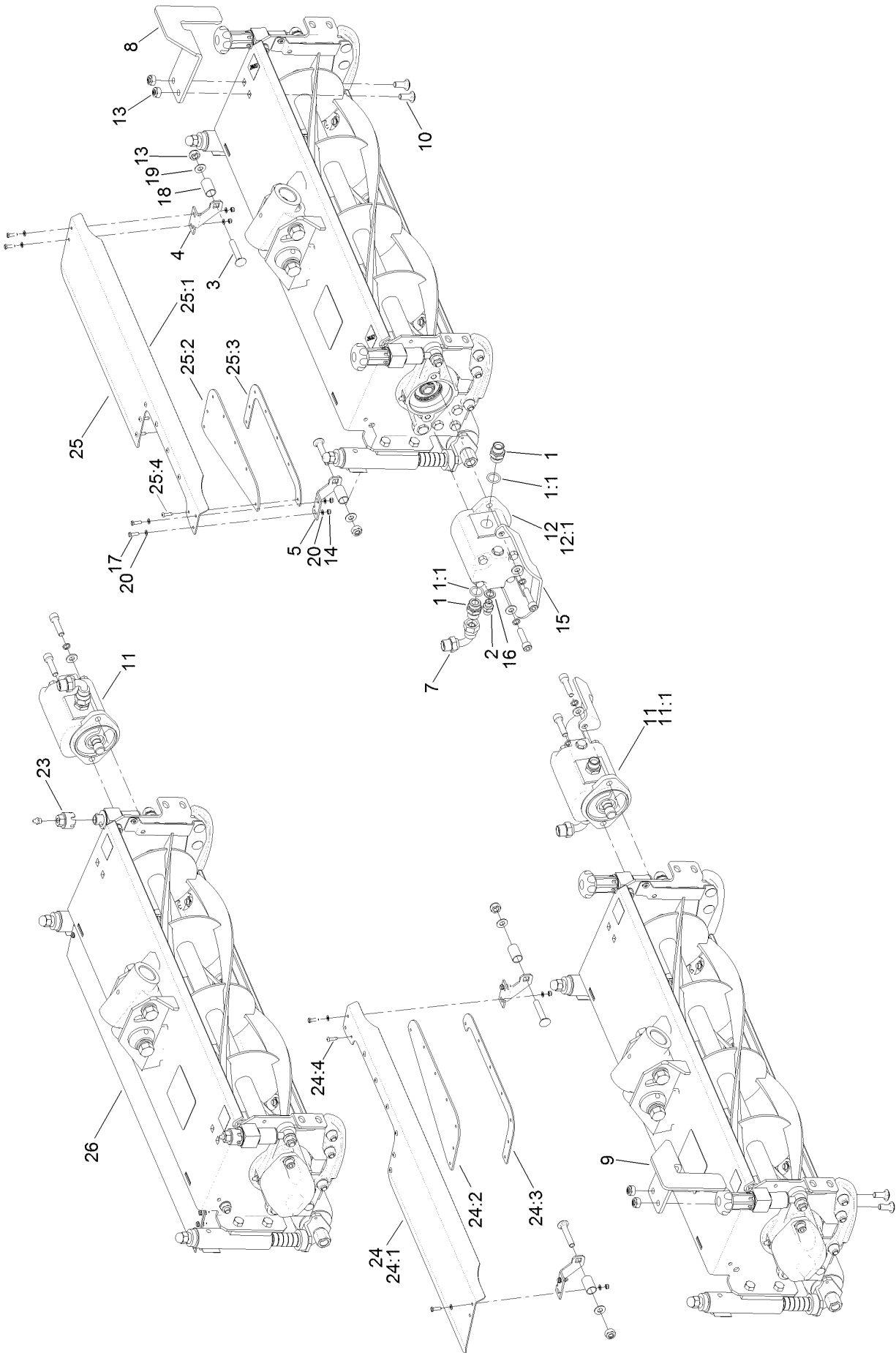


Filter Assembly (continued)

<i>Ref.</i>	<i>Part Number</i>	<i>Qty.</i>	<i>Description</i>	<i>Ref.</i>	<i>Part Number</i>	<i>Qty.</i>	<i>Description</i>
1	09-06-201	1	Adaptor	22	111-3926	1	Plug
2	25-06-050	2	Adaptor	22:1	63-06-111	1	Seal-O Ring
3	111-3485-03	1	Bracket-Filter, Oil	23	488023	1	Pad-Foam, Short
4	924708	1	Pressure Filter ASM	25	09267	3	Washer
4:1	924709	1	Element-Filter, Pressure	26	111-4843-03	1	Spacer-Oil Filter
4:2	924710	1	Indicator-Filter, Pressure ●	27	111-6096-03	1	Plate-Latch, Bonnet
5	111-6095-03	1	Plate-Latch, Bulkhead	28	111-6777	1	Manifold-Relief, Motor
6	111-7508	1	Return Filter ASM	28:1	110-2635	1	Nut-Coil
6:1	924692	1	Element-Filter	28:2	111-5625	1	Coil-Solenoid
9	09373	3	Bolt-Coach	28:3	111-6838	1	Valva-Solenoid, Internal Relief
11	09441	12	Nut-Hex, NI	28:4	111-6839	1	Line Body
12	09362	4	Screw-HH	28:5	110-6316	1	Seal Kit
13	10-06-035	2	Seal-Dowty	29	10-06-030	2	Seal-Dowty
14	10-06-033	2	Seal-Dowty	30	10-06-085	2	Adaptor
16	03162	2	Screw-HH	31	ZDH1F050U	2	Setscrew
17	09368	7	Screw-HH	32	09472	4	Washer-Plain
18	03469	2	Washer-Spring	33	09544	2	Nut-Nyloc
19	09475	18	Washer	34	994626	1	Adaptor-BSPP ●
20	09472	4	Washer-Plain	35	134-0449-03	1	Bracket-Filter
21	09474	4	Washer-Spring				

● Not illustrated

Cutter Component Assembly

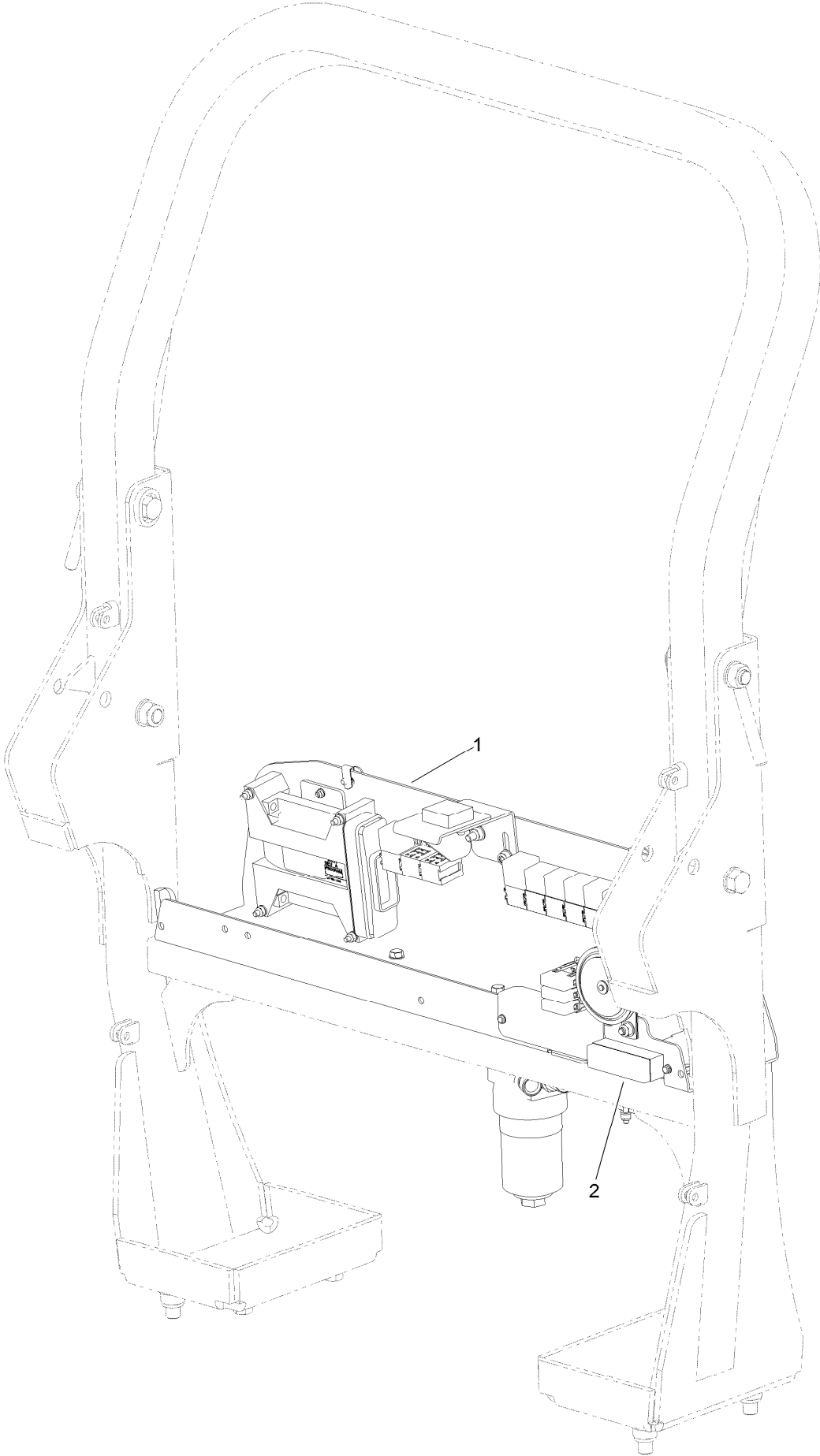


Cutter Component Assembly (continued)

<i>Ref.</i>	<i>Part Number</i>	<i>Qty.</i>	<i>Description</i>	<i>Ref.</i>	<i>Part Number</i>	<i>Qty.</i>	<i>Description</i>
1	63-06-104	6	Adaptor-BSP	16	10-06-030	3	Seal-Dowty
1:1	63-06-111	1	Seal-O Ring	17	ZDH1E016U	12	Screw-HH
2	10-06-085	3	Adaptor	18	876049	6	Spacer-Deflector
3	ZBK1J055U	6	Bolt-CARR	19	09479	30	Washer-Plain
4	876041	3	Bracket-Deflector, LH	20	09470	24	Washer
5	876042	3	Bracket-Deflector, RH	21	HY922101	1	Spanner-Adjuster, Cutterhead ●
7	25-06-066	3	Elbow-BSP	23	111-3927	2	Boss-Adjuster
8	876086W	1	Guard-HOC, LH	24	111-7649	1	Shield ASM
9	876087W	1	Guard-HOC, RH	24:1	111-7265-03	1	Deflector-Grass, Cutter RH
10	15-11-003	4	Bolt-CARR	24:2	111-6870	1	Panel-Rubber
11	111-7445	2	HYD CW Motor ASM	24:3	111-6871-03	1	Retainer
11:1	111-8146	1	Seal Kit	24:4	09320	7	Rivet
11:2	107-7821	1	Valve-Anticavitation ●	25	111-7648	1	Shield ASM
12	111-7446	1	HYD CCW Motor ASM	25:1	111-7266-03	1	Deflector-Grass, Cutter LH
12:1	111-8146	1	Seal Kit	25:2	111-6870	1	Panel-Rubber
12:2	107-7821	1	Valve-Anticavitation ●	25:3	111-6871-03	1	Retainer
13	ZNN1J000U	10	Nut-Hex, NI	25:4	09320	7	Rivet
14	09430	12	Nut-Nyloc	26	876040W	1	Deflector-Rear
15	111-7462-03	2	Guard, Motor				

● Not illustrated

Loom Kit

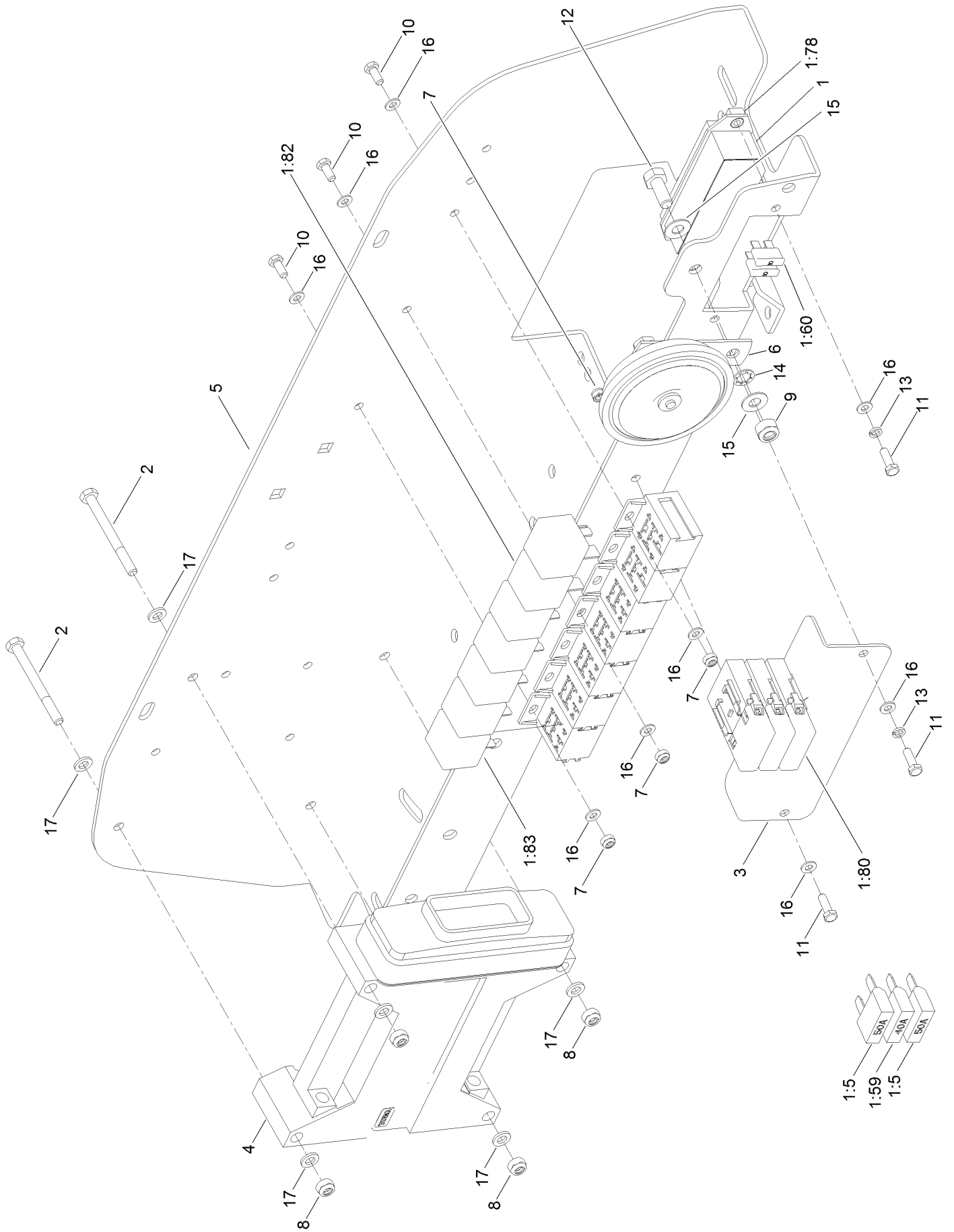


Loom Kit (continued)

<i>Ref.</i>	<i>Part Number</i>	<i>Qty.</i>	<i>Description</i>
1	111-6820	1	Loom Kit
2	70-09-151	1	Fuse-15A
99	HY3966	30	Tie-Cable ●

● Not illustrated

Electrical Assembly

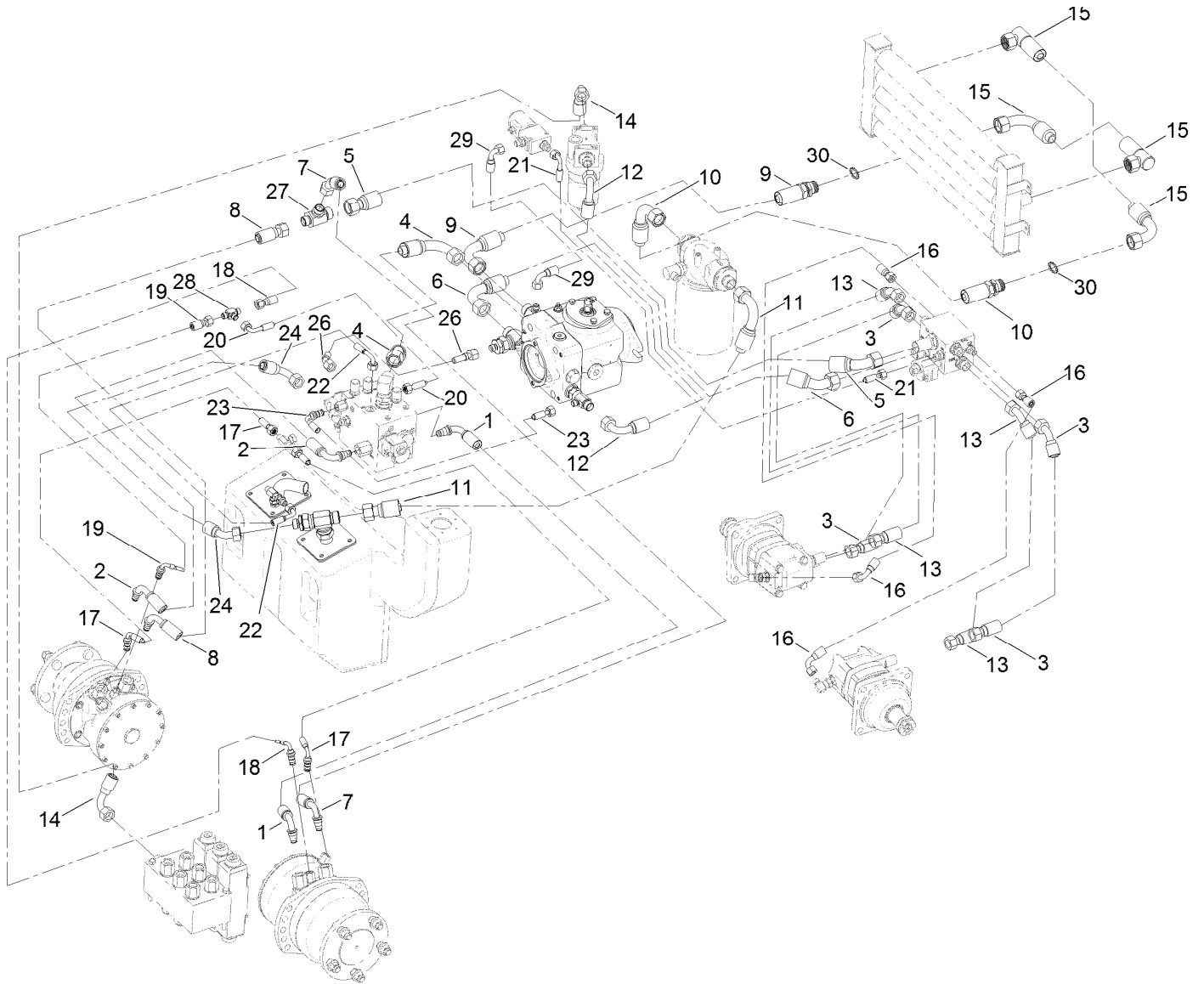


Electrical Assembly (continued)

<i>Ref.</i>	<i>Part Number</i>	<i>Qty.</i>	<i>Description</i>	<i>Ref.</i>	<i>Part Number</i>	<i>Qty.</i>	<i>Description</i>
1	111-9115	1	Harness-Main	6	70-09-108	1	Horn ASM
1:5	995714	2	Fuse-50A	7	09430	4	Nut-Nyloc
1:34	111-0348	2	Diode ●	8	09438	4	Nut-Nyloc
1:59	111-2898	1	Fuse-40A	9	09441	1	Nut-Hex, NI
1:60	70-09-026	3	Fuse-10A	10	ZDH1E012U	3	Screw-HH
1:76	111-0360	6	Base-Relay ●	11	ZDH1E016U	3	Screw-HH
1:77	111-0361	2	Base-Relay, 70A ●	12	09368	1	Screw-HH
1:78	70-09-096	1	Box-Fuse	13	09644	2	Washer-Spring
1:79	111-0303	1	Bracket-Maxifuse ●	14	09476	2	Washer-Shakeproof
1:80	111-0302	3	Cover	15	09475	2	Washer
1:81	111-0283	3	Holder-Maxifuse ●	16	09470	10	Washer
1:82	924625	2	Relay-70A	17	09472	8	Washer-Plain
1:83	111-0336	5	Relay-30A	99	111-6745	1	Harness-Manifold, Cutters ●
2	09703	4	Bolt-HH	99	111-3663	1	Heat Shrink ●
3	111-4842-03	1	Bracket-Fuse	99	111-6751	1	Harness-Solenoid, Reverse ●
4	111-8006	1	Controller ASM				
5	134-0435-03	1	Plate-Base, Electrical				

● Not illustrated

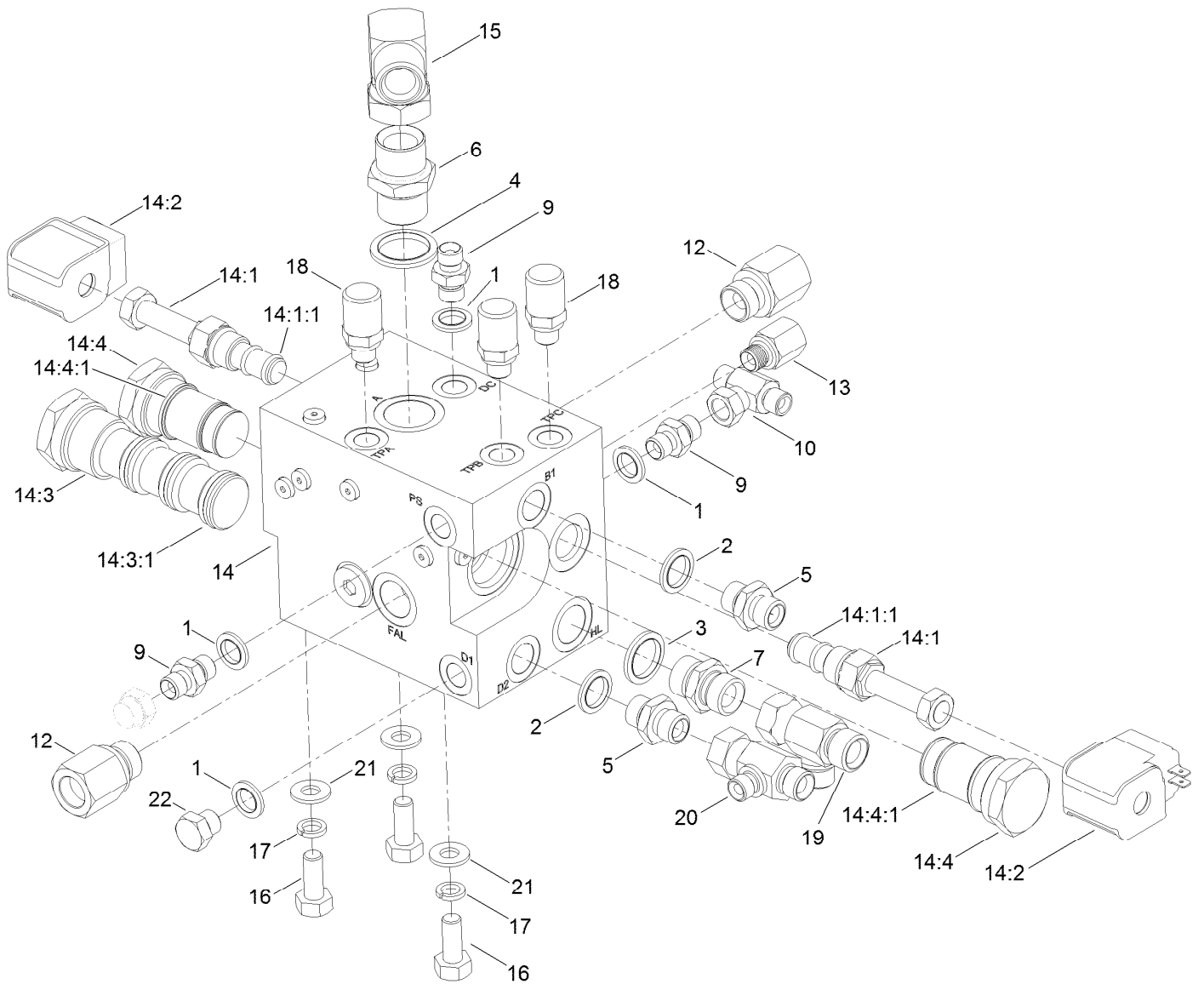
Transmission Hydraulic Circuit Assembly



Transmission Hydraulic Circuit Assembly (continued)

<i>Ref.</i>	<i>Part Number</i>	<i>Qty.</i>	<i>Description</i>	<i>Ref.</i>	<i>Part Number</i>	<i>Qty.</i>	<i>Description</i>
1	111-4473	1	Hose	16	111-3604	2	Hose
2	111-4474	1	Hose (1/2 Inch)	17	111-4483	2	Hose (1/4 Inch)
3	111-3576	2	Hose	18	111-3606	1	Hose
4	111-4475	1	Hose (3/4 Inch)	19	111-3607	1	Hose
5	111-3578	1	Hose	20	111-4480	1	Hose
6	111-4479	1	Hose	21	111-4481	1	Hose
7	111-4476	1	Hose (1/2 Inch)	22	111-6163	1	Hose
8	111-4477	1	Hose	23	111-4472	1	Hose
9	111-4478	1	Hose	24	111-5627	1	Hose (1/2 Inch)
10	111-3587	1	Hose	26	111-4485	1	Hose (3/8 Inch)
11	111-3588	1	Hose	27	111-3642	1	Tee-BSP
12	111-3593	1	Hose	28	30-06-201	1	Tee
13	111-3595	2	Hose	29	111-6765	1	Hose
14	111-6950	1	Hose	30	111-9293	2	Washer-Tooth
15	111-3599	2	Hose				

Transmission Manifold Assembly

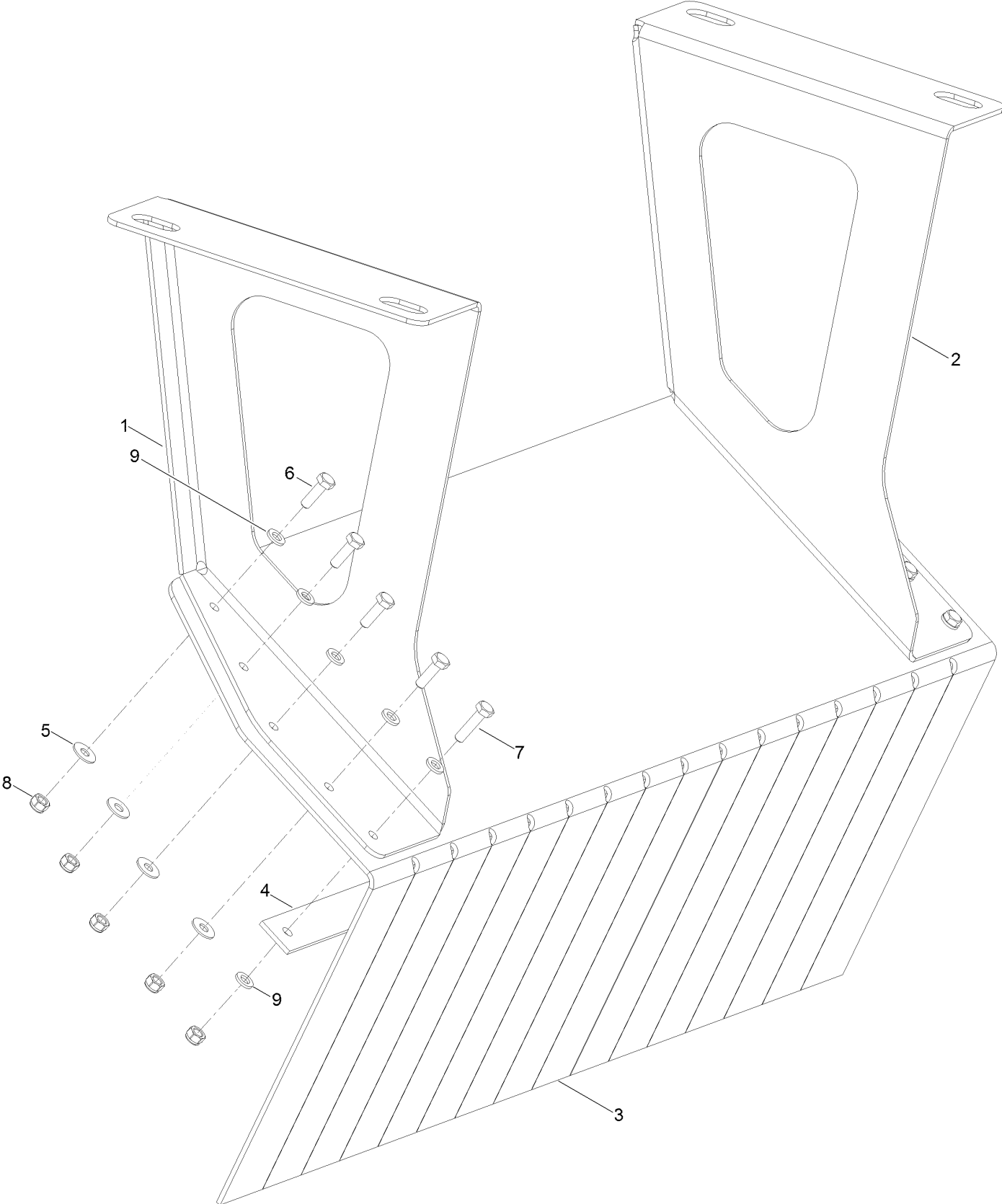


Transmission Manifold Assembly (continued)

<i>Ref.</i>	<i>Part Number</i>	<i>Qty.</i>	<i>Description</i>	<i>Ref.</i>	<i>Part Number</i>	<i>Qty.</i>	<i>Description</i>
1	10-06-030	4	Seal-Dowty	14:3:1	111-7188	1	Seal Kit
2	10-06-031	2	Seal-Dowty	14:4	111-4467	2	Valve-Diverter
3	10-06-032	1	Seal-Dowty	14:4:1	134-0259	1	Seal Kit
4	10-06-033	1	Seal-Dowty	14:7	106-1024	10	Plug-Leak, Zero ●
5	10-06-042	2	Adaptor-BSPP	14:8	106-1027	1	Plug-HYD ●
6	10-06-044	1	Adaptor-BSP	14:99	910629	1	Valve-Shuttle ●
7	10-06-078	1	Adaptor-BSPP	14:99:1	910635	1	Seal Kit ●
9	10-06-085	2	Adaptor	15	111-4443	1	Elbow-BSP
10	60-06-011	1	Tee-BSP	16	09395	3	Screw-HH
12	111-3529	2	Adaptor	17	09480	3	Washer-Lock
13	111-3538	1	Adaptor	18	910615	3	Point-BSPP
14	111-3993	1	Manifold-Front, Transmission	19	953732	1	Tee-BSP
14:1	111-3533	2	Valve-Solenoid	20	953806	1	Tee
14:1:1	134-0258	1	Seal Kit ●	21	ZWQ1J000U	3	Washer-Plain
14:2	910627	2	Coil-Solenoid	22	30-06-200	2	Plug-HYD
14:3	111-4466	1	Valve-Flow, Divider/Combiner				

● Not illustrated

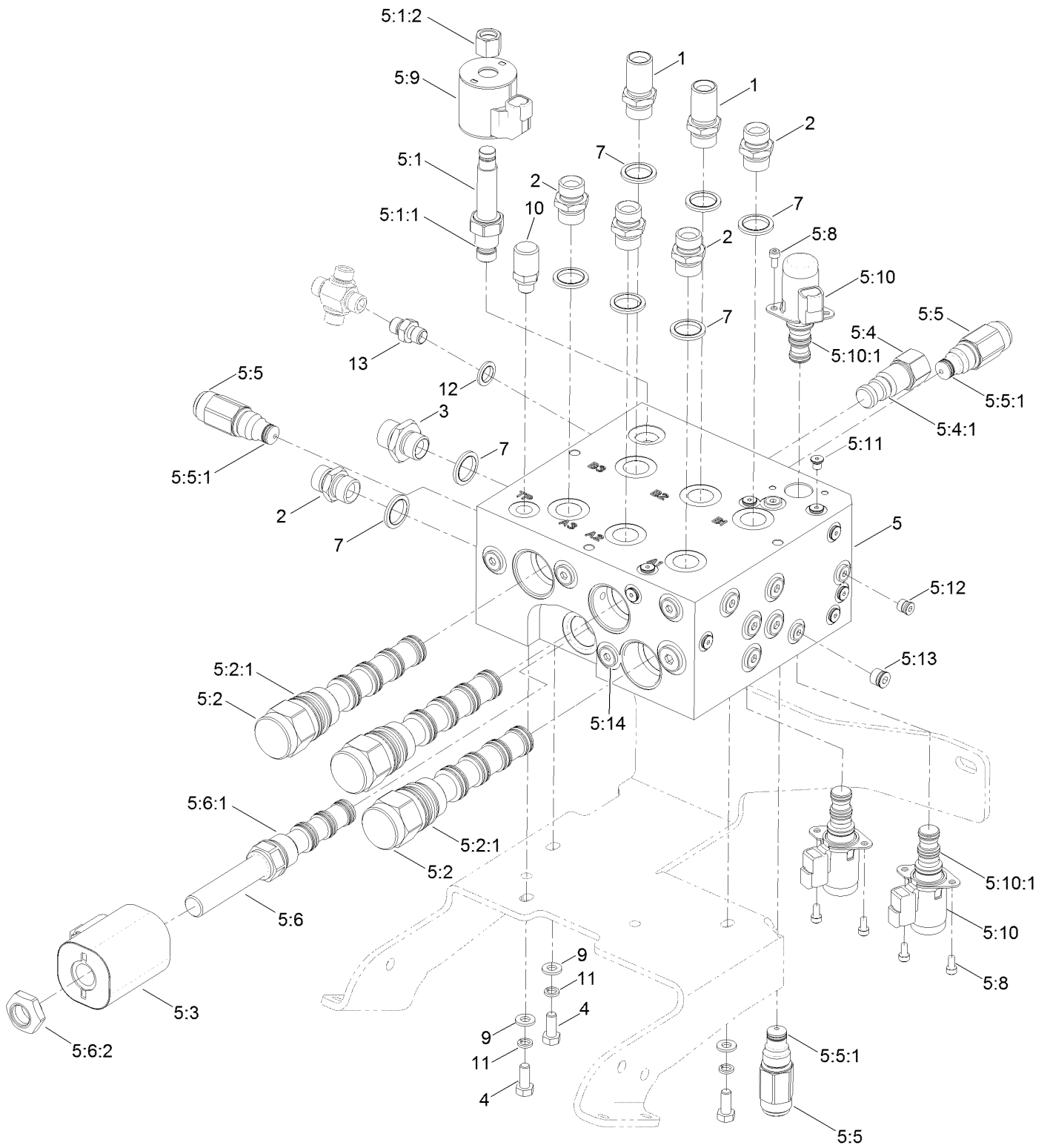
Center Flap Assembly



Center Flap Assembly (continued)

<i>Ref.</i>	<i>Part Number</i>	<i>Qty.</i>	<i>Description</i>	<i>Ref.</i>	<i>Part Number</i>	<i>Qty.</i>	<i>Description</i>
1	111-9473-03	1	Mount-Flap, LH	6	09363	8	Screw-HH
2	111-9474-03	1	Mount-Flap, RH	7	09364	2	Screw-HH
3	111-6173	1	Deflector-Chassis, Wide	8	09438	10	Nut-Nyloc
4	111-7477-03	1	Strap-Deflector, Chassis	9	09472	12	Washer-Plain
5	09262	8	Washer				

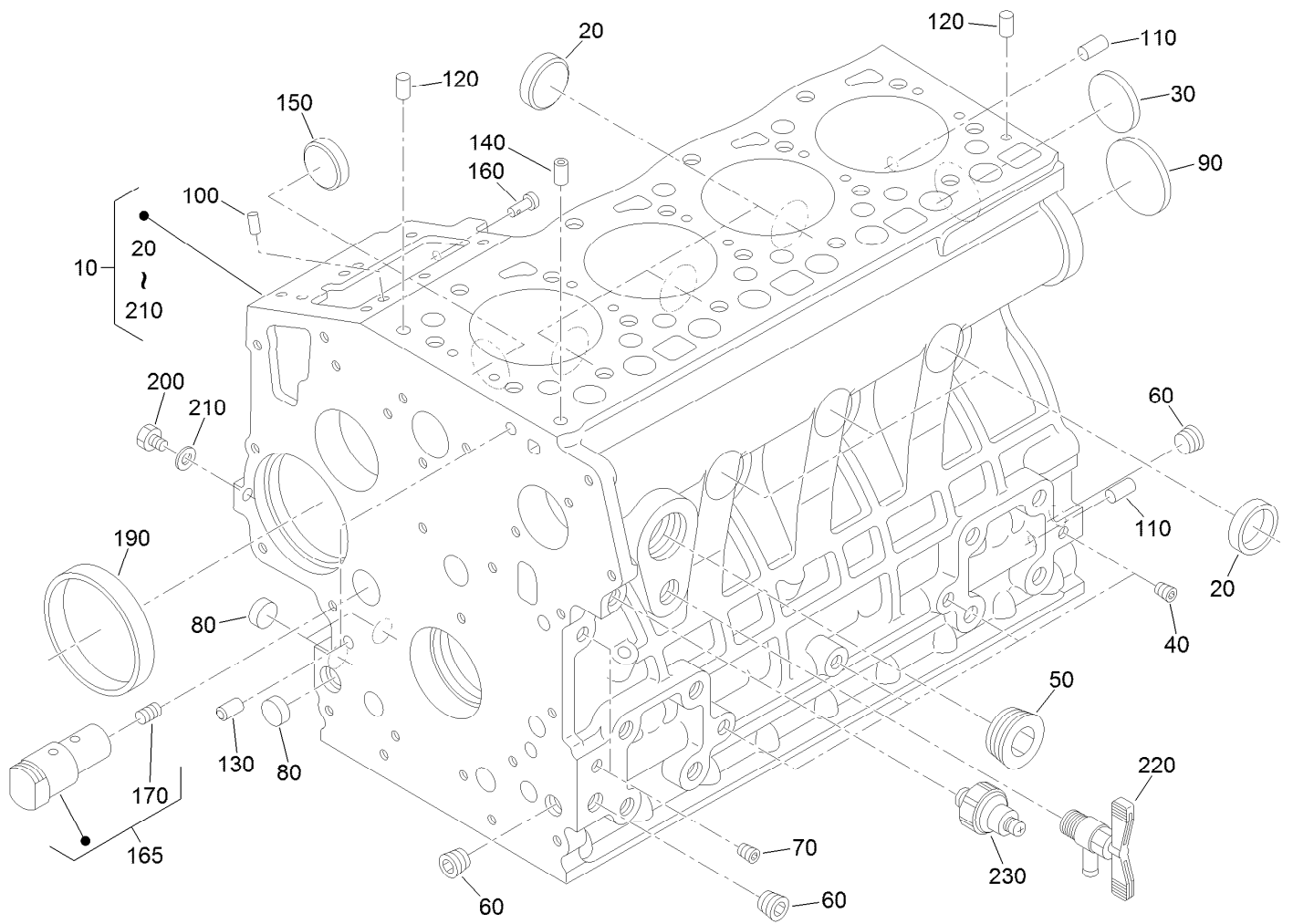
Cutter Control Manifold Assembly



Cutter Control Manifold Assembly (continued)

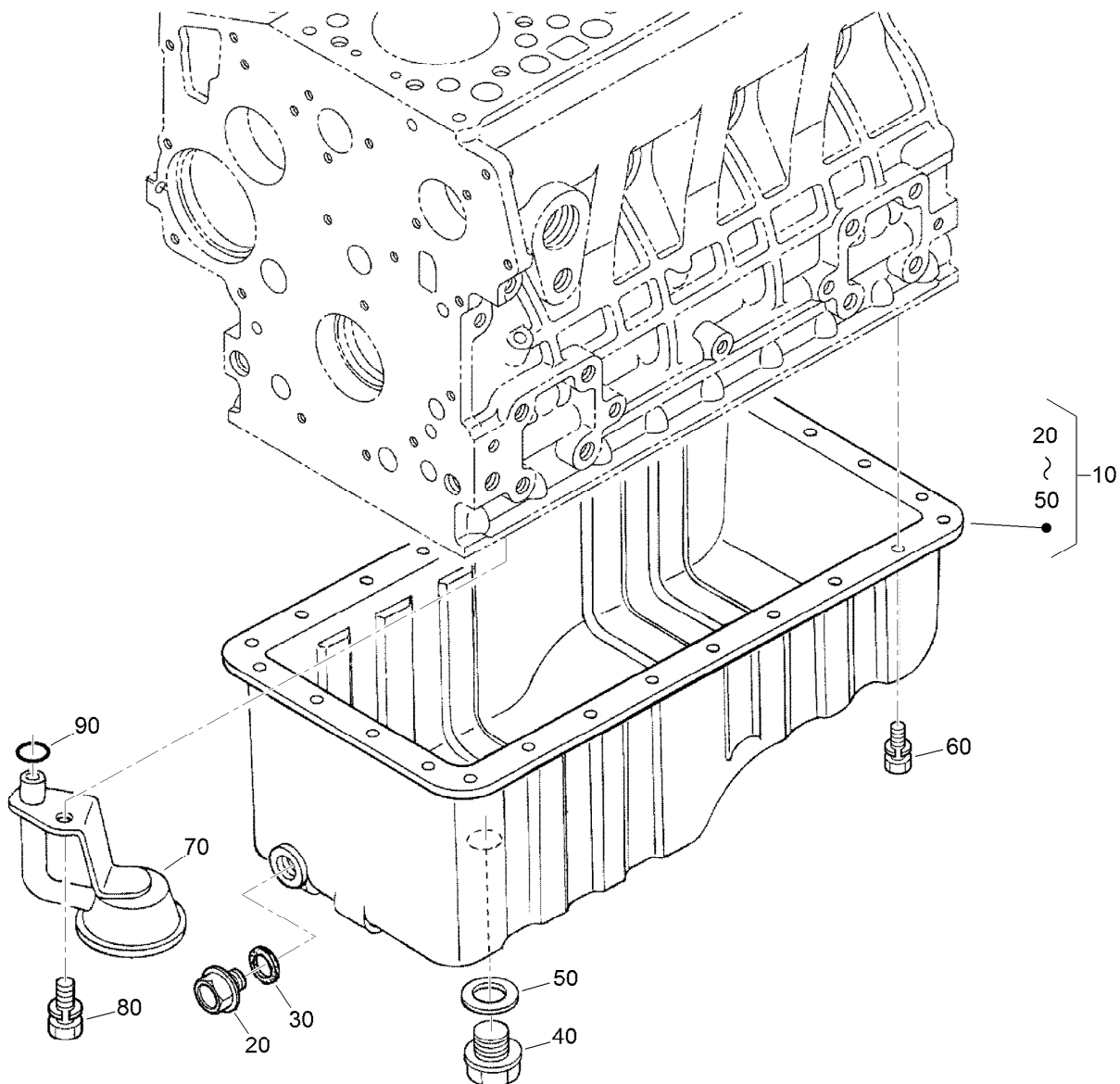
<i>Ref.</i>	<i>Part Number</i>	<i>Qty.</i>	<i>Description</i>	<i>Ref.</i>	<i>Part Number</i>	<i>Qty.</i>	<i>Description</i>
1	09-06-216	2	Adaptor-Bulkhead	5:6:1	111-6836	1	Seal Kit
2	10-06-078	5	Adaptor-BSPP	5:6:2	111-6840	1	Coil-Nut
3	950726	1	Adaptor-BSP	5:8	115-8733	6	Screw -HSH
4	09368	3	Screw-HH	5:9	119-4619	1	Coil-Solenoid
5	111-6597	1	Cutters Manifold ASM	5:10	125-7554	3	Valve-Solenoid
5:1	111-6825	1	Pressure-Proportional, Relief Valve	5:10:1	125-7561	1	Seal Kit ●
5:1:1	111-6826	1	Seal Kit ●	5:11	106-1024	14	Plug-Leak, Zero
5:1:2	119-2160	1	Nut-Coil	5:12	106-1025	5	Plug-HYD
5:2	111-6829	3	Valve-Spool, Piloted	5:13	106-1026	14	Plug-HYD
5:2:1	111-6830	1	Seal Kit ●	5:14	106-1027	2	Plug-HYD
5:3	111-6831	1	Coil-12V	7	10-06-032	8	Seal-Dowty
5:4	111-6832	1	Logic Element-Vented	9	ZWP1H000U	3	Washer-Plain
5:4:1	111-6827	1	Seal Kit ●	10	910615	1	Point-BSPP
5:5	111-6833	3	Relief Valve	11	03469	3	Washer-Spring
5:5:1	111-6828	1	Seal Kit	12	10-06-030	1	Seal-Dowty
5:6	111-6835	1	Valve-Solenoid	13	10-06-085	1	Adaptor

● Not illustrated



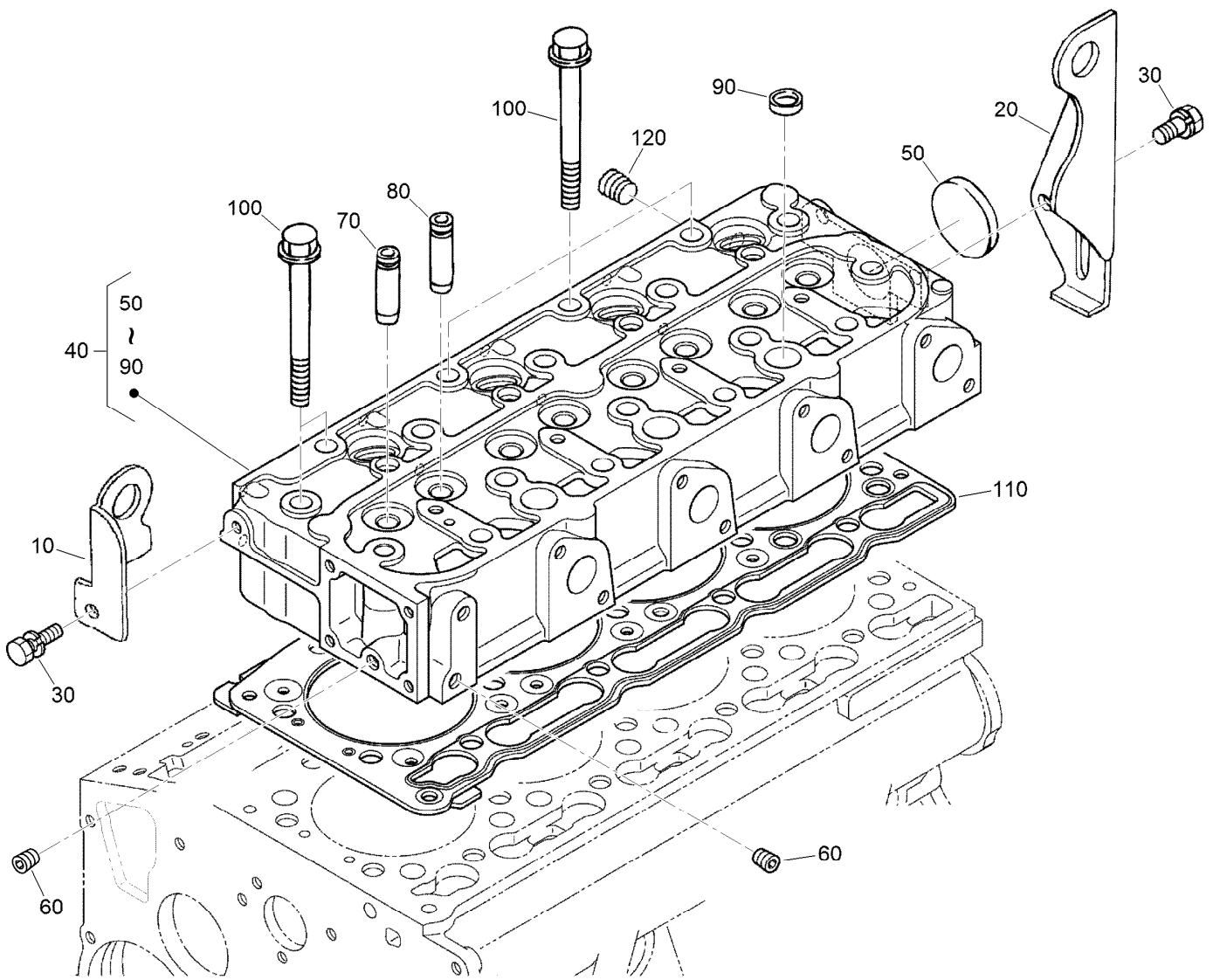
Crankcase Assembly

<i>Ref.</i>	<i>Part Number</i>	<i>Qty.</i>	<i>Description</i>	<i>Ref.</i>	<i>Part Number</i>	<i>Qty.</i>	<i>Description</i>
10	120-2558	1	Crankcase ASM	130	98-9387	2	Pin-Pipe
20	98-9398	6	Cap-Sealing	140	98-9539	1	Pin-Pipe
30	98-7539	1	Cap-Sealing	150	98-9599	1	Plug
40	98-9687	4	Plug	160	105-3796	1	Pin-Spring, Start
50	105-3779	1	Plug	165	130-1237	1	Idler Shaft ASM
60	98-9597	3	Plug	170	98-9675	1	Plug
70	98-7487	2	Plug	190	98-9656	1	Bushing-Governor, Gear
80	98-9379	3	Plug-Expansion	200	120-2559	1	Plug
90	98-9668	1	Plug-Expansion	210	98-7428	1	Gasket
100	98-9375	2	Pin-Straight	220	120-3121	1	Draincock ASM
110	98-9377	2	Pin-Straight	230	98-7764	1	Switch-Oil
120	98-9376	2	Pin-Straight				



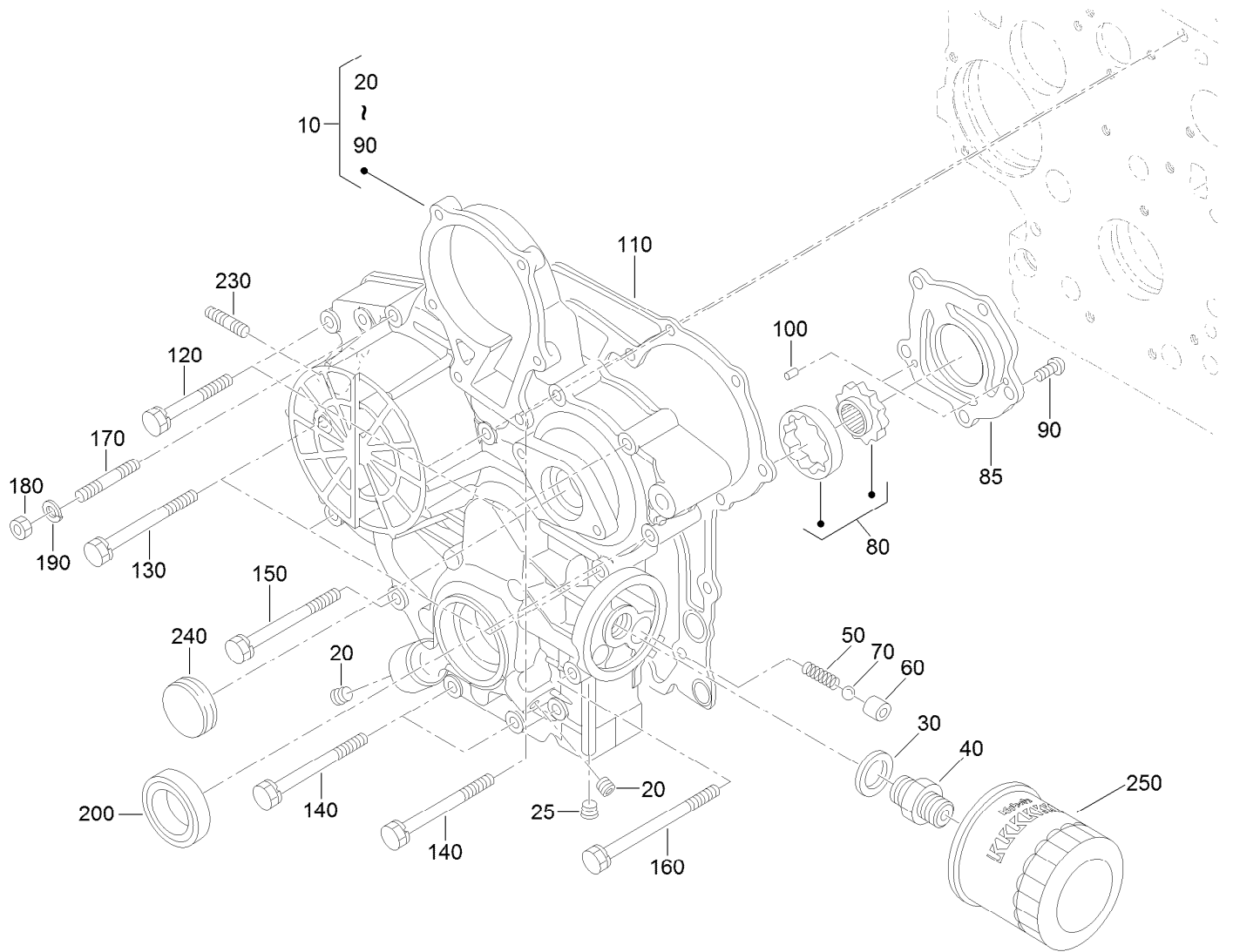
Oil Pan and Oil Pump Assembly

Ref.	Part Number	Qty.	Description
10	130-1283	1	Oil Pan Kit
20	114-8151	1	Plug-Drain
30	98-7524	1	Gasket
40	105-3703	1	Plug-Drain
50	110-9715	1	Gasket-Pan, Oil
60	98-9351	26	Bolt
70	115-4116	1	Filter-Oil
80	98-7526	1	Bolt
90	105-3776	1	O-Ring



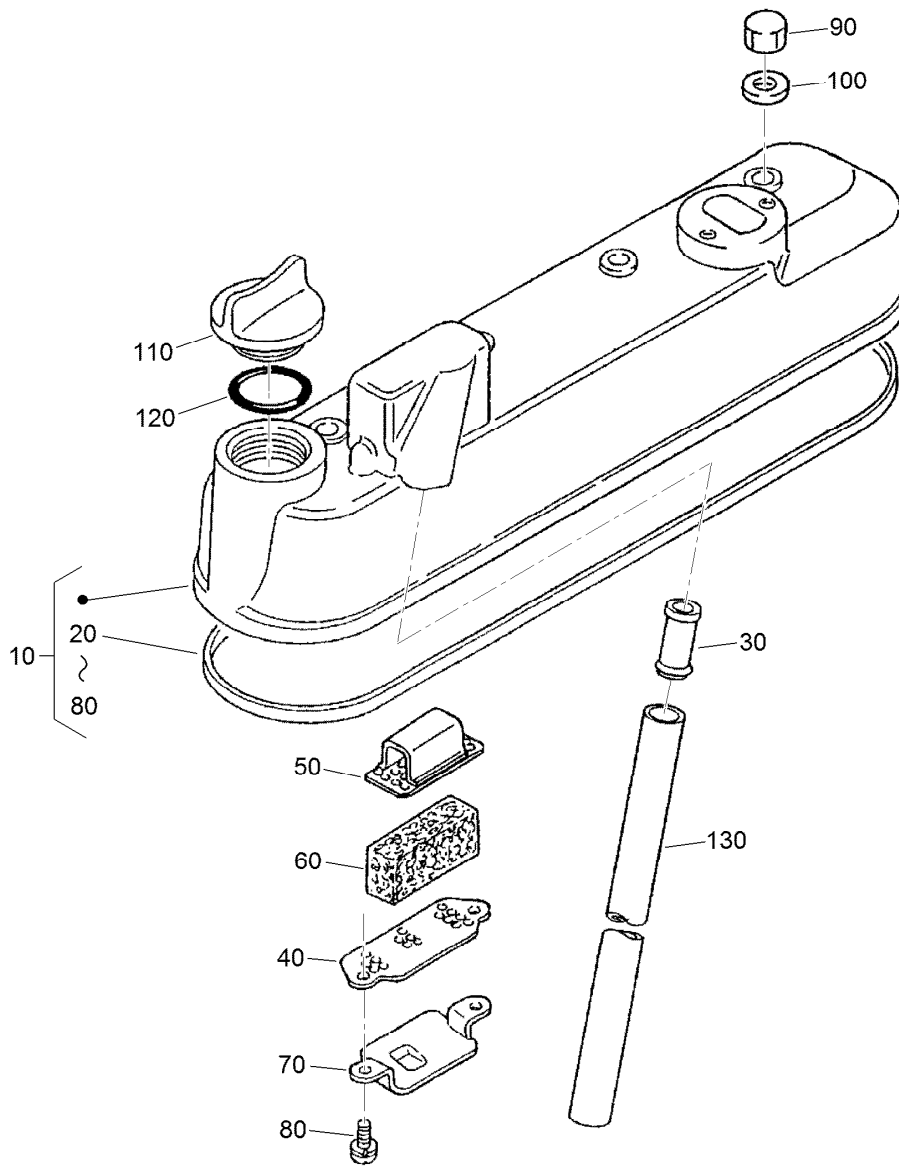
Cylinder Head Assembly

Ref.	Part Number	Qty.	Description
10	130-1231	1	Hook-Engine
20	98-9478	1	Hook-Engine
30	100-9195	2	Bolt
40	130-1382	1	*obs* Cylinder Head ASM
50	105-3705	1	Cap-Sealing
60	98-9687	2	Plug
70	107-9066	4	Guide-Valve, Inlet
80	107-9067	4	Guide-Valve, Exhaust
90	98-9389	3	Cap-Sealing
100	98-9479	18	Bolt-Head, Cylinder
110	127-0434	1	Gasket-Head, Cylinder
120	98-9444	1	Plug



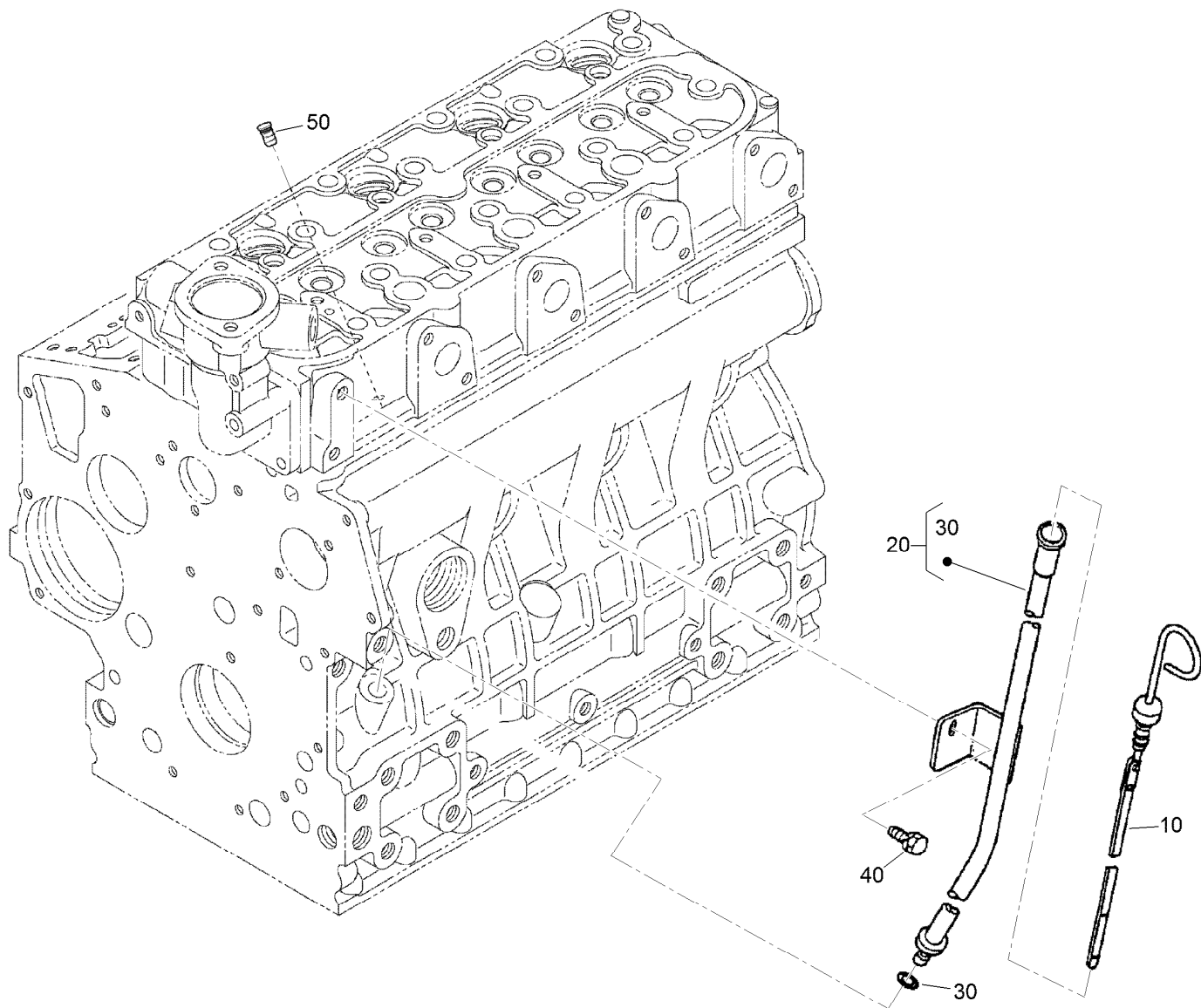
Gear Case and Oil Filter Cartridge Assembly

Ref.	Part Number	Qty.	Description	Ref.	Part Number	Qty.	Description
10	130-1243	1	Gear Case ASM	120	100-1765	3	Bolt
20	98-9598	2	Plug	130	125-9063	4	Bolt-Sems
25	98-7487	1	Plug	140	98-9356	4	Bolt
30	98-7562	1	Washer-Plain	150	107-9074	1	Bolt
40	98-9388	1	Joint-Pipe	160	98-9586	1	Bolt
50	130-1511	1	Spring	170	105-3709	1	Stud
60	130-1510	1	Valve-Relief	180	100-2203	1	Nut-Flange
70	98-9380	1	Ball	190	98-7699	1	Washer-Spring
80	130-1508	1	Rotor ASM	200	119-8038	1	Seal-Oil
85	130-1509	1	Cover-Pump, Oil	230	105-3710	2	Stud
90	130-1164	5	Screw-Binding	240	98-9641	1	Cover-Case, Gear
100	107-9072	2	Pin-Straight	250	108-3841	1	Filter-Oil
110	98-9633	1	Gasket-Case, Gear				



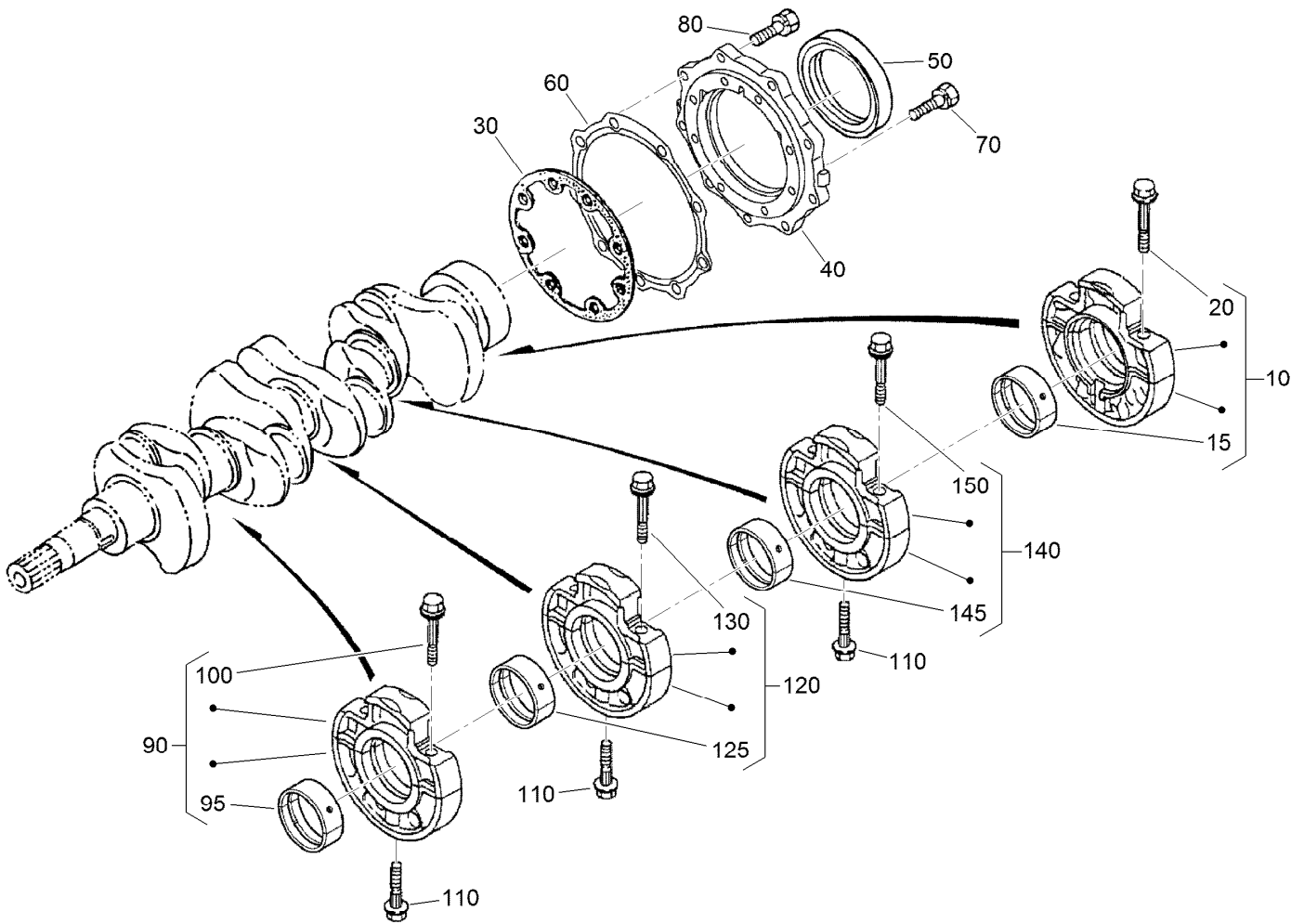
Cylinder Head Cover Assembly

Ref.	Part Number	Qty.	Description
10	105-3711	1	Cylinder Head Cover ASM
20	105-3712	1	Gasket-Cover, Head
30	98-9492	1	Joint-Pipe, Breather
40	98-9488	1	Plate-Element, Breather
50	98-9489	1	Plate-Element, Breather
60	98-9493	1	Element-Breather
70	98-9490	1	Shield-Oil, Breather
80	98-9364	2	Screw (With Washer)
90	98-9455	4	Nut-Cap
100	98-9454	4	Gasket
110	107-9075	1	Plug-Filler, Oil
120	99-3446	1	O-Ring
130	98-9491	1	Pipe-Breather



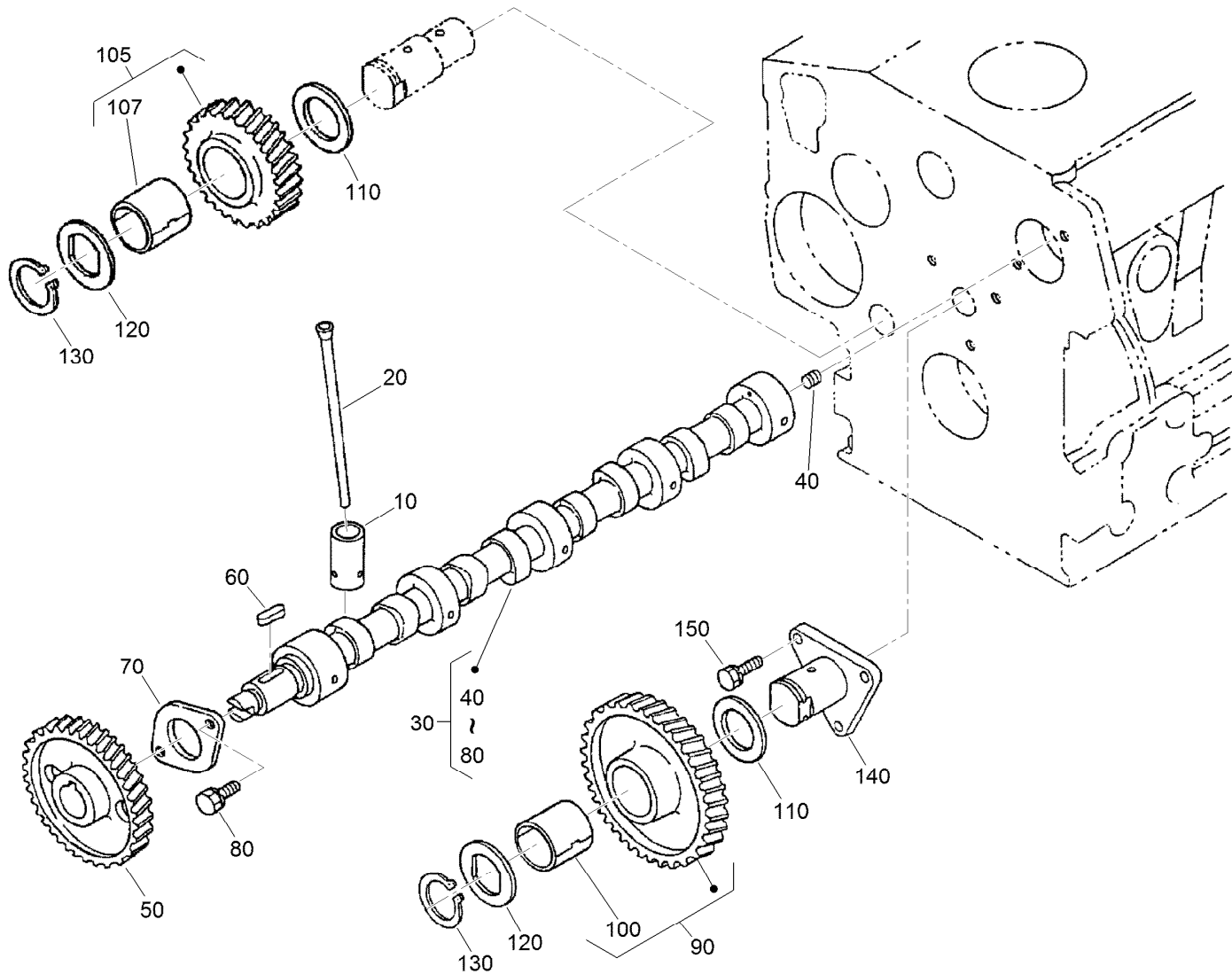
Dipstick and Guide Assembly

<i>Ref.</i>	<i>Part Number</i>	<i>Qty.</i>	<i>Description</i>
10	120-3124	1	Gauge-Oil
20	98-9672	1	Oil Gauge Guide ASM
30	98-9722	1	O-Ring
40	100-9195	1	Bolt
50	110-3720	1	Plug-Gauge, Oil



Main Bearing Case Assembly

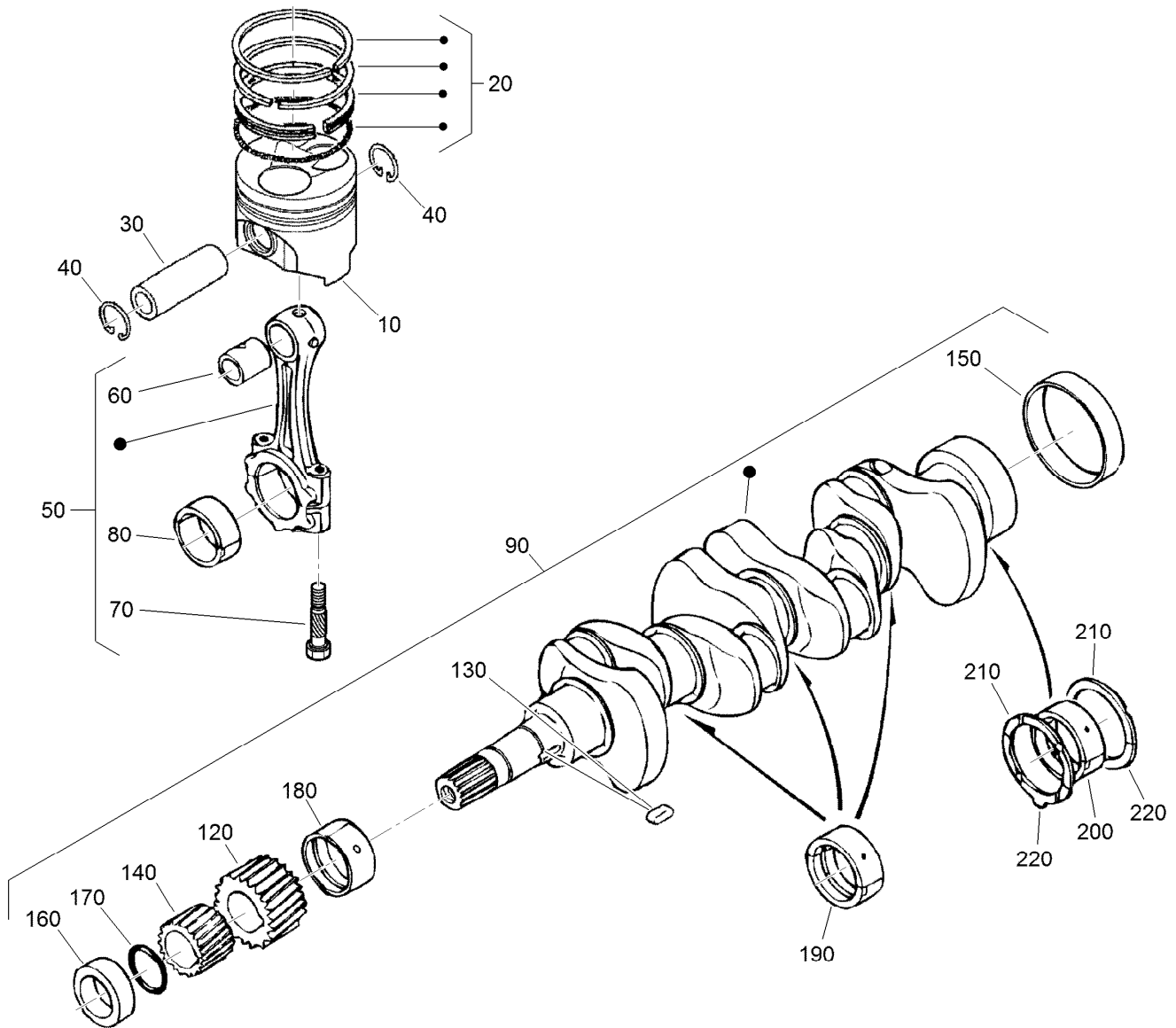
<i>Ref.</i>	<i>Part Number</i>	<i>Qty.</i>	<i>Description</i>	<i>Ref.</i>	<i>Part Number</i>	<i>Qty.</i>	<i>Description</i>
10	112-7026	1	Wheel Bearing Case ASM	95	98-9524	1	Metal-Crankshaft (STD Set)
15	115-4121	1	Metal-Crankshaft (STD)	100	98-9484	2	Bolt-Case, Bearing
20	98-9484	2	Bolt-Case, Bearing	110	98-9485	3	Bolt-Case, Bearing
30	127-0440	1	Gasket-Case, Bearing	120	115-4107	1	Main Bearing Case ASM
40	112-7046	1	Cover-Case, Bearing	125	98-9524	1	Metal-Crankshaft (STD Set)
50	112-0180	1	Seal-Oil	130	98-9484	2	Bolt-Case, Bearing
60	112-7037	1	Gasket-Cover, Case	140	130-1265	1	Main Bearing Case ASM
70	127-0441	8	Bolt	145	98-9524	1	Metal-Crankshaft (STD Set)
80	127-0442	9	Bolt	150	98-9484	2	Bolt-Case, Bearing
90	115-4106	1	Main Bearing Case ASM				



Camshaft and Idle Gear Shaft Assembly

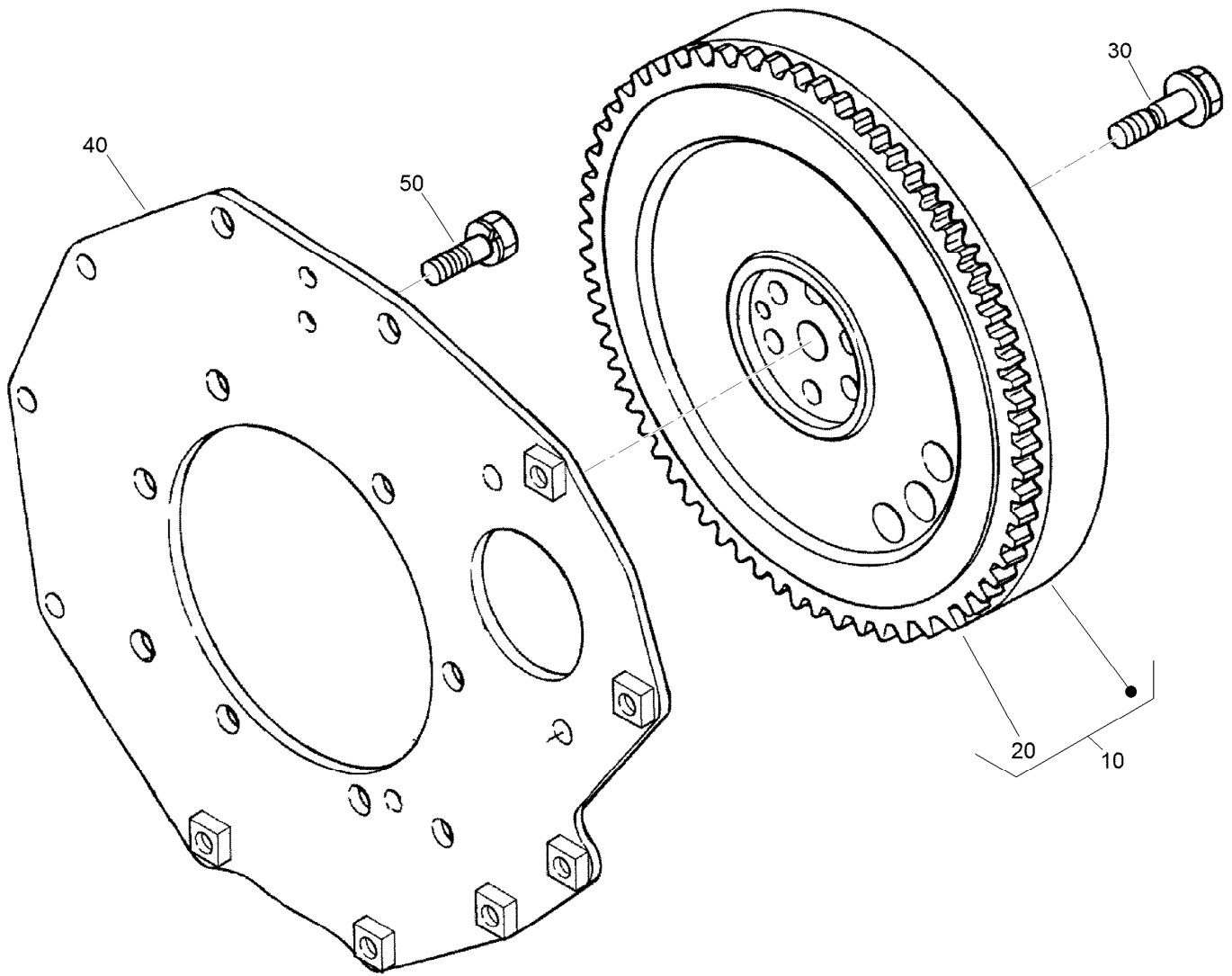
<i>Ref.</i>	<i>Part Number</i>	<i>Qty.</i>	<i>Description</i>
10	112-0185	8	Tappet
20	127-0421	8	Rod-Push
30	120-3116	1	Camshaft ASM
40	110-3729	1	Ball
50	98-9512	1	Gear-Cam
60	98-9378	1	Key-Feather
70	98-9510	1	Stopper-Camshaft
80	98-7692	2	Bolt
90	117-7584	1	Idle Gear ASM

<i>Ref.</i>	<i>Part Number</i>	<i>Qty.</i>	<i>Description</i>
100	117-7585	1	Bushing-Gear, Idle
105	130-1259	1	Idler Gear ASM
107	117-7585	1	Bushing-Gear, Idle
110	98-9535	1	Collar-Gear, Idle
120	98-9536	1	Collar-Gear, Idle
130	98-9534	1	Circlip-Gear, Idle
140	98-9533	1	Shaft-Gear, Idle
150	98-7692	3	Bolt



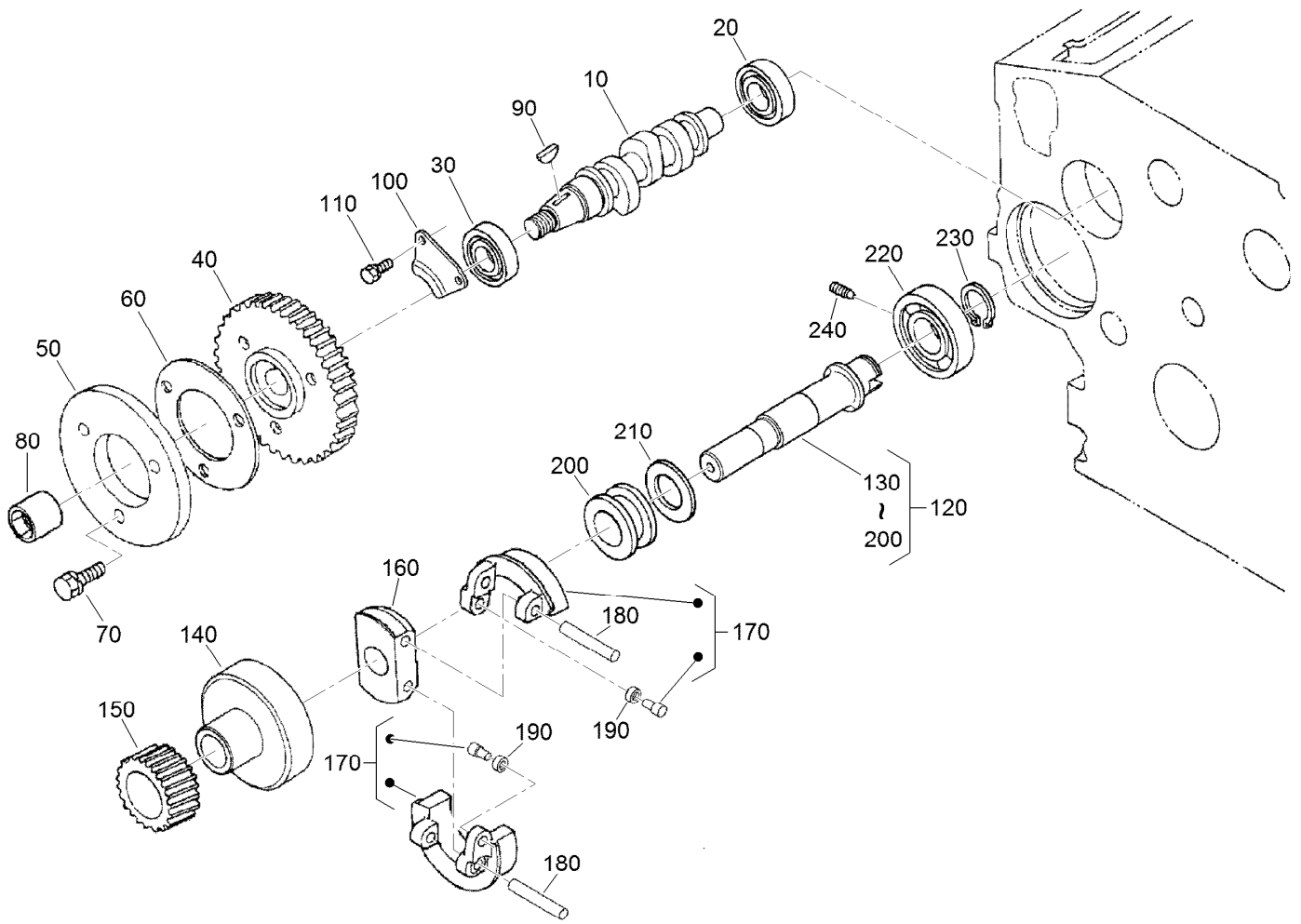
Piston and Crankshaft Assembly

<i>Ref.</i>	<i>Part Number</i>	<i>Qty.</i>	<i>Description</i>	<i>Ref.</i>	<i>Part Number</i>	<i>Qty.</i>	<i>Description</i>
10	112-8404	4	Piston (STD)	160	127-0444	1	Collar-Crankshaft
10	112-8414	4	Piston (+0.5Mm)	170	105-3783	1	O-Ring
20	98-9551	4	Piston Ring ASM (STD)	180	112-7005	1	Bearing-Main (STD)
20	108-1404	4	Piston Ring ASM (+0.5Mm)	180	98-9528	1	Bearing-Main (-0.2Mm)
30	98-9513	4	Pin-Piston	180	130-1274	1	Metal-Crankshaft (-0.40Mm)
40	98-9514	8	Circlip-Pin, Piston	190	98-9524	3	Metal-Crankshaft (STD Set)
50	117-7586	4	Connecting Rod ASM	190	127-0433	3	Metal-Crankshaft (-0.2Mm)
60	115-3014	4	Bushing-Pin, Piston	190	98-9531	3	Bearing-Main (0.4Mm)
70	98-9517	8	Bolt-Rod, Connecting	200	115-4121	1	Metal-Crankshaft (STD)
80	98-9553	4	Bearing-Rod (STD)	200	112-7039	1	Metal-Crankshaft (0.2Mm)
80	117-7587	4	Metal-Crankpin (-0.2Mm)	200	112-7040	1	Metal-Crankshaft (-0.4Mm)
80	117-7588	4	Metal-Crankpin (-0.4Mm)	210	98-9413	2	Bearing-Thrust (STD)
90	120-2561	1	Crankshaft ASM	210	127-0416	2	Metal-Side (+0.2Mm)
120	117-7561	1	Gear-Crankshaft	210	127-0417	2	Metal-Side (+0.40Mm)
130	98-9666	1	Key	220	98-9688	2	Bearing-Thrust (STD)
140	127-0445	1	Gear-Drive, Oil Pump	220	127-0437	2	Metal-Side (+0.2Mm)
150	98-9522	1	Sleeve-Crankshaft	220	127-0438	2	Metal-Side (+0.40Mm)



Flywheel Assembly

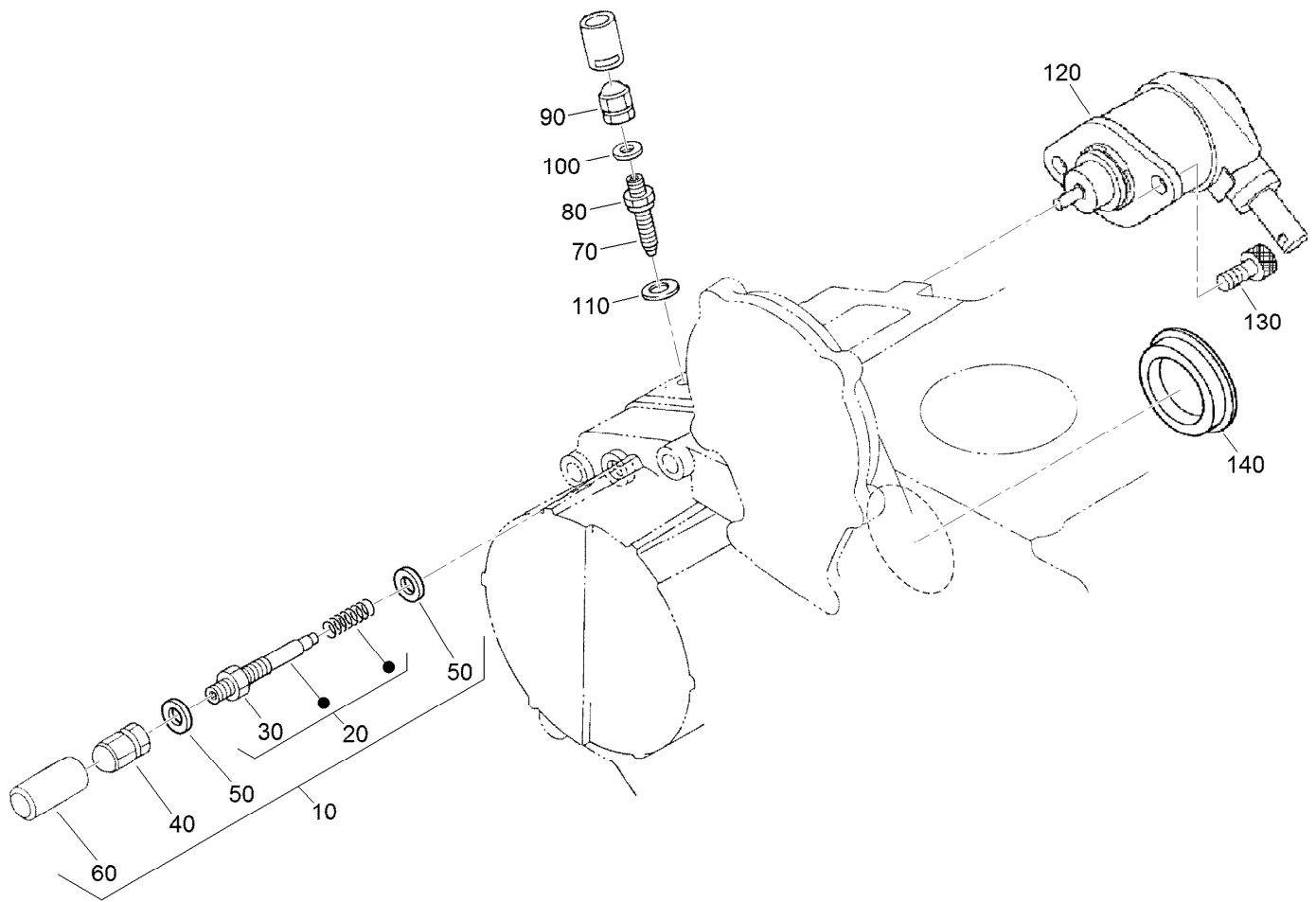
<i>Ref.</i>	<i>Part Number</i>	<i>Qty.</i>	<i>Description</i>
10	105-3721	1	Flywheel ASM
20	115-3015	1	Gear-Ring
30	98-9537	6	Bolt-Flywheel
40	98-9486	1	Plate-End, Rear
50	98-9392	8	Bolt



Fuel Camshaft and Governor Shaft Assembly

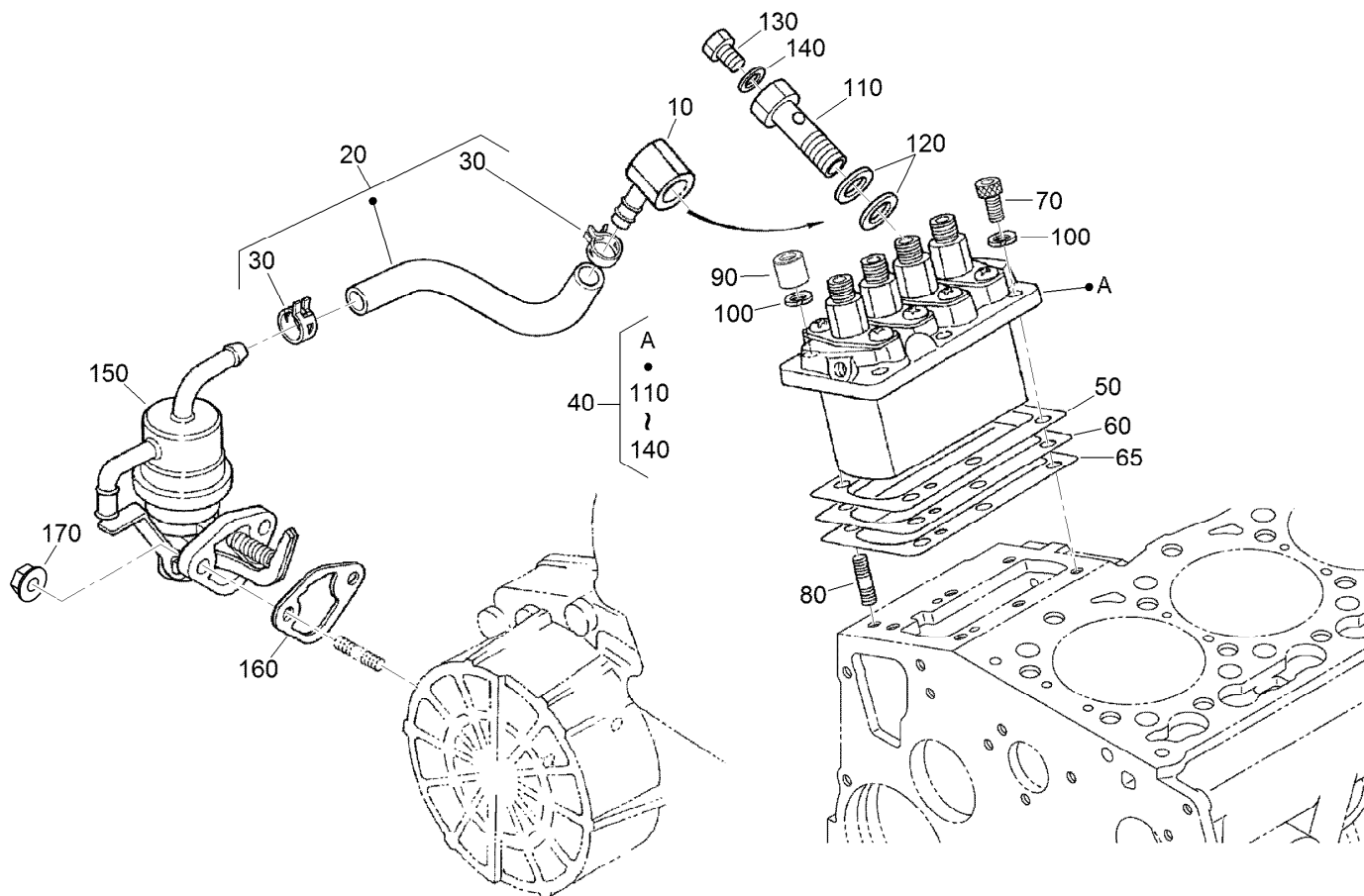
<i>Ref.</i>	<i>Part Number</i>	<i>Qty.</i>	<i>Description</i>
10	105-3723	1	Camshaft-Fuel
20	107-9077	1	Bearing-Ball
30	107-9078	1	Bearing-Ball
40	98-9669	1	Gear-Pump, Injection
50	130-1239	1	Cam-Fuel
60	98-9548	1	Washer
70	98-9350	3	Bolt
80	130-1512	1	Nut
90	98-9595	1	Key-Woodruff
100	98-9511	1	Stopper-Fuel, Camshaft
110	98-7692	2	Bolt
120	130-1266	1	Governor Shaft ASM

<i>Ref.</i>	<i>Part Number</i>	<i>Qty.</i>	<i>Description</i>
130	105-3725	1	Shaft-Governor
140	98-9562	1	Holder-Gear, Governor
150	98-9673	1	Gear-Governor
160	98-9561	1	Holder-Weight, Governor
170	130-1240	2	Governor Weight ASM
180	98-9560	2	Shaft-Weight, Governor
190	98-9692	2	Roller
200	98-9563	1	Sleeve-Governor
210	98-9564	1	Washer-Thrust
220	107-9079	1	Bearing-Ball
230	98-9657	1	Circlip-Shaft, Governor
240	98-9565	1	Screw-Set



Idle Apparatus and Stop Solenoid Assembly

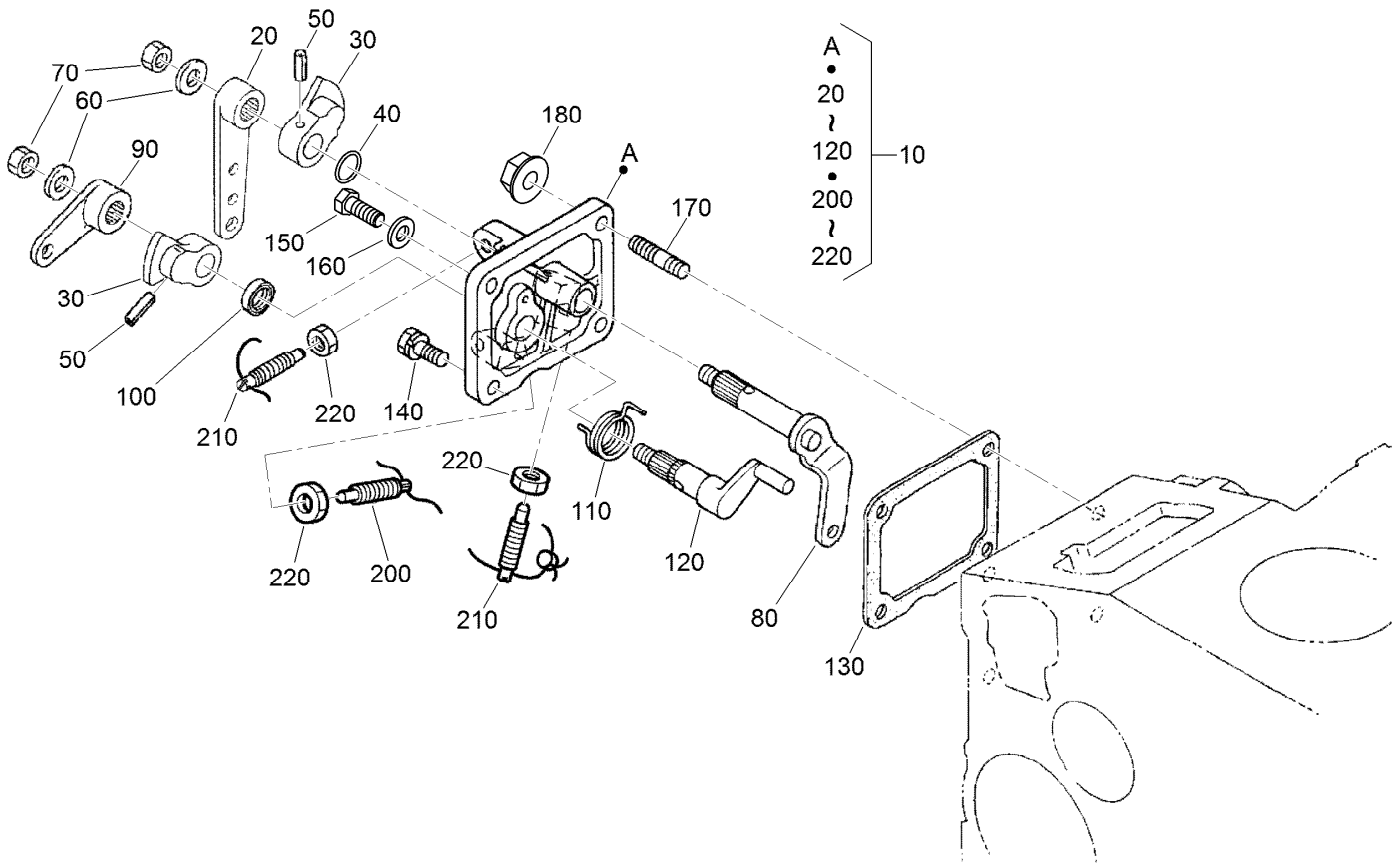
<i>Ref.</i>	<i>Part Number</i>	<i>Qty.</i>	<i>Description</i>
10	98-9678	1	Idle Apparatus ASM
20	112-7014	1	Adjusting Bolt ASM
30	98-9439	1	Nut
40	112-0181	1	Nut
50	98-7654	2	Gasket
60	98-7656	1	Cap
70	112-7015	1	Bolt-Adjusting
80	100-2175	1	Nut-Lock
90	112-0181	1	Nut
100	98-7654	1	Gasket
110	107-9081	1	Gasket
120	104-5155	1	Solenoid-Stop
130	130-1155	2	Screw-HSH
140	112-7016	1	Cover-Pump



Injection Pump and Fuel Pump Assembly

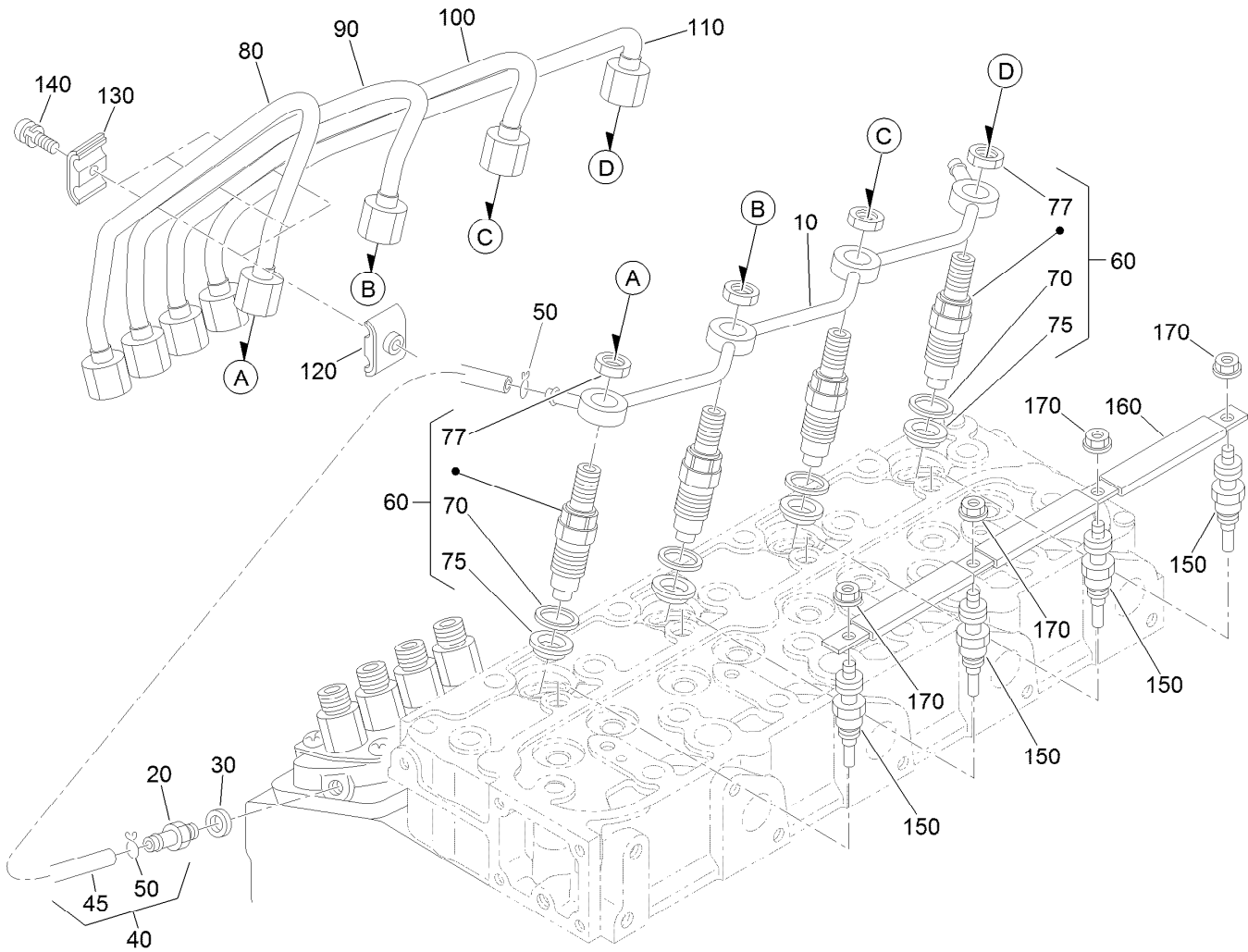
Ref.	Part Number	Qty.	Description
10	98-9596	1	Joint-Eye
20	130-1238	1	Fuel Pipe ASM
30	100-2217	2	Clip-Pipe
40	105-3727	1	Injection Pump ASM
50	105-3728	1	Shim-Pump, Injection (.20Mm)
50	105-3729	1	Shim-Pump, Injection (.25Mm)
60	105-3730	1	Shim-Pump, Injection (.30Mm)
60	115-3016	1	Shim-Pump, Injection (.350Mm)
65	115-3017	1	Shim-Pump, Injection (.175Mm)

Ref.	Part Number	Qty.	Description
70	117-7564	3	Bolt-Hex Soc HD
80	98-9438	3	Stud
90	98-9440	3	Nut-Cap
100	98-7699	3	Washer-Spring
110	98-9464	1	Bolt-Joint
120	98-9445	2	Gasket
130	98-9430	1	Screw
140	98-9446	1	Gasket
150	98-9677	1	Fuel Pump ASM
160	98-9636	1	Gasket-Pump, Fuel
170	100-2203	2	Nut-Flange



Speed Control Plate Assembly

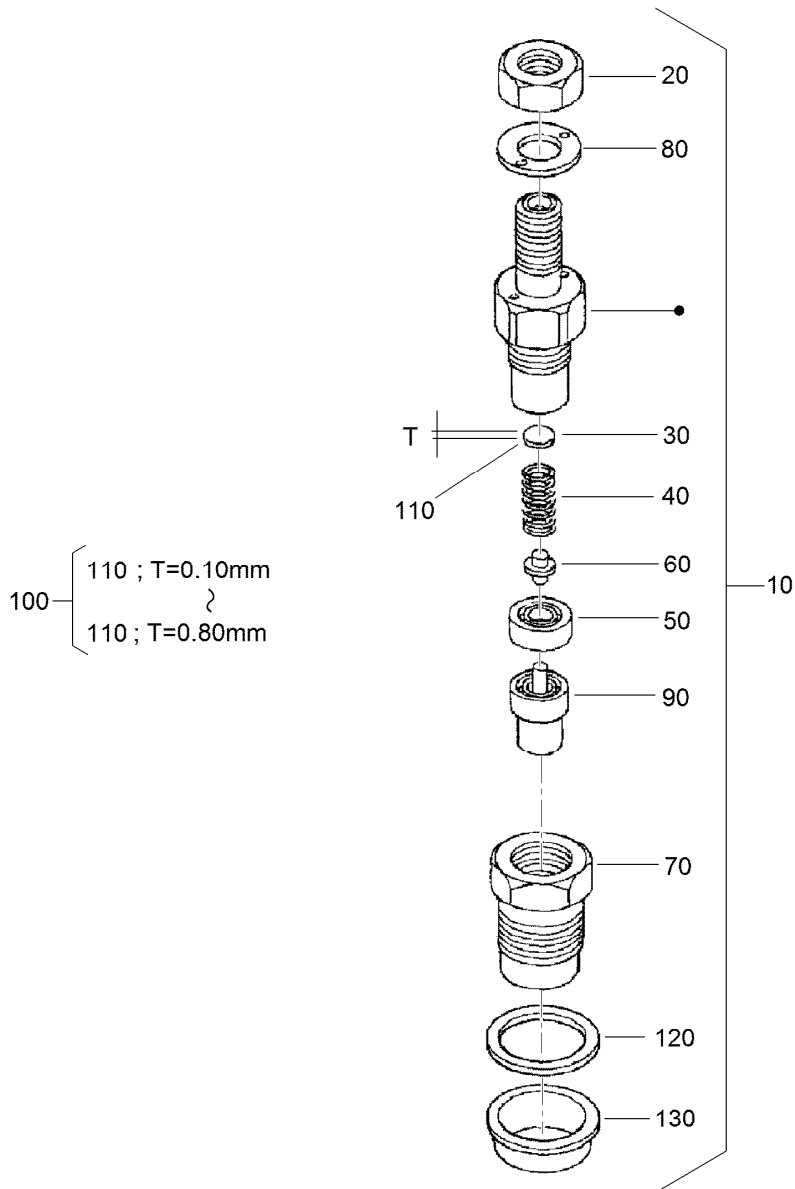
<i>Ref.</i>	<i>Part Number</i>	<i>Qty.</i>	<i>Description</i>	<i>Ref.</i>	<i>Part Number</i>	<i>Qty.</i>	<i>Description</i>
10	98-9661	1	Control Plate ASM	120	98-9664	1	Shaft-Lever, Stop
20	98-9662	1	Lever-Control, Speed	130	98-9637	1	Gasket
30	98-9572	2	Lever-Control, Speed	140	98-7692	1	Bolt
40	105-3788	1	O-Ring	150	127-0401	1	Bolt-Hex
50	98-7602	2	Pin-Spring	160	98-7654	1	Gasket
60	98-9594	2	Washer-Plain	170	105-3710	2	Stud
70	98-9589	2	Nut	180	100-2203	2	Nut-Flange
80	98-9658	1	Governor Lever ASM	200	117-7565	2	Bolt-Adjusting
90	98-9663	1	Lever-Stop, Engine	210	117-7566	1	Bolt-Adjusting
100	98-7601	1	Seal-Oil	220	98-7572	3	Nut
110	98-9472	1	Spring-Return				



Nozzle Holder and Glow Plug Assembly

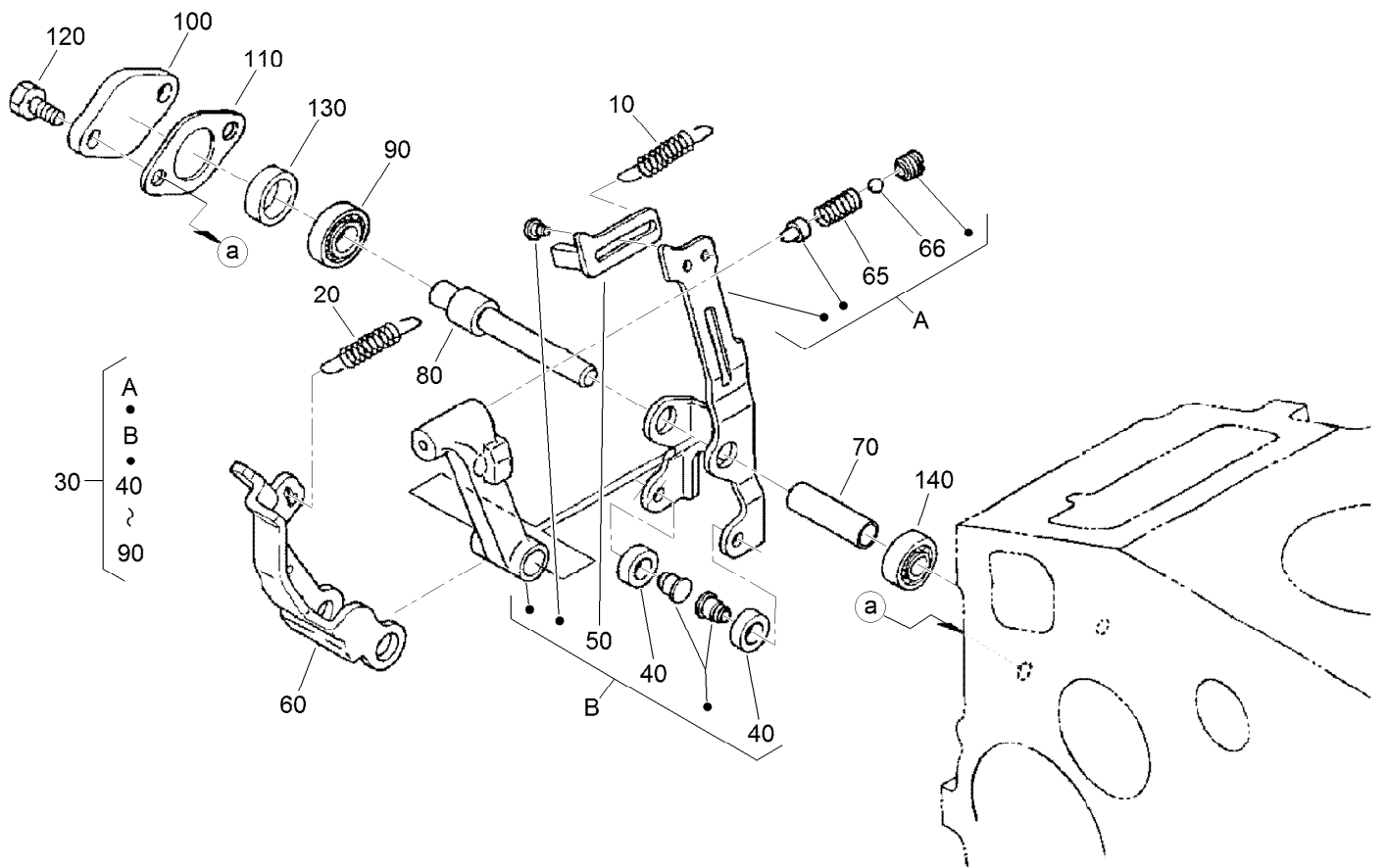
Ref.	Part Number	Qty.	Description
10	105-3737	1	Over Flow Pipe ASM
20	98-9431	1	Screw-Bleeder, Air
30	98-7654	1	Gasket
40	98-9420	1	Overflow Pipe ASM
45	112-0182	1	Pipe-Overflow
50	98-7671	2	Clip-Pipe
60	108-2866	4	Nozzle Holder Kit
70	98-7676	4	Gasket
75	98-7677	4	Seal-Heat
77	121-2411	4	Nut

Ref.	Part Number	Qty.	Description
80	98-9653	1	Pipe-Injection
90	98-9654	1	Pipe-Injection
100	98-9655	1	Pipe-Injection
110	105-3738	1	Pipe-Injection
120	98-7682	3	Clamp-Pipe
130	98-7683	3	Clamp-Pipe
140	98-7684	3	Screw (W/Washer)
150	115-3019	4	Plug-Glow
160	105-3739	1	Cord-Plug, Glow
170	99-8377	4	Nut-Flange



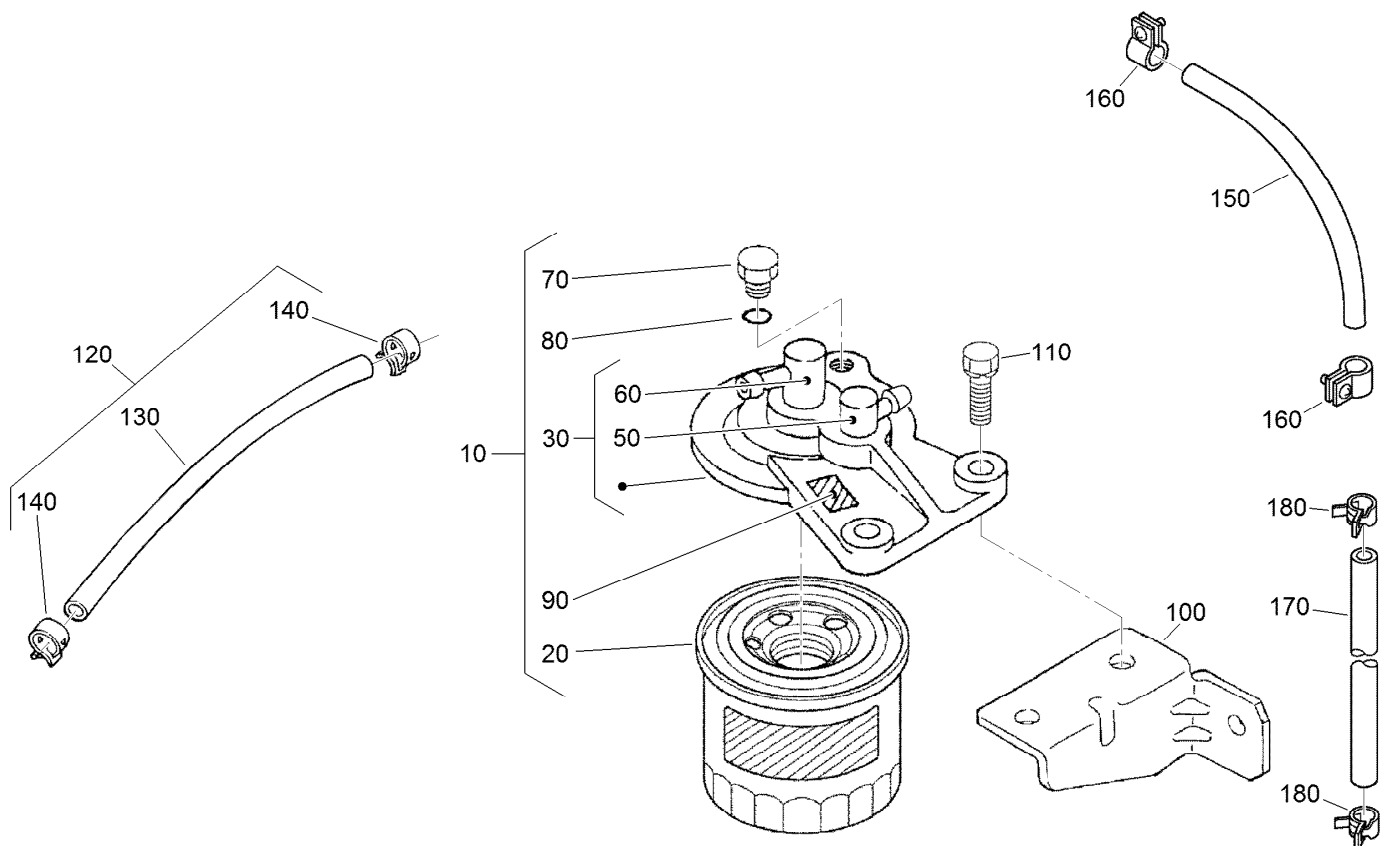
Nozzle Holder Assembly

Ref.	Part Number	Qty.	Description	Ref.	Part Number	Qty.	Description
10	108-2866	4	Nozzle Holder Kit	110	99-8311	4	Washer-Adjust (0.20Mm)
20	121-2411	4	Nut	110	99-8312	4	Washer-Adjust (0.30Mm)
30	99-8302	4	Washer-Adjusting	110	99-8313	4	Washer-Adjust (0.40Mm)
40	99-8303	4	Spring-Nozzle	110	99-8314	4	Washer-Adjust (0.50Mm)
50	99-8304	4	Spacer-Distance	110	99-8315	4	Washer-Adjust (0.52Mm)
60	99-8305	4	Rod-Push	110	99-8316	4	Washer-Adjust (0.54Mm)
70	99-8306	4	Nut-Nozzle	110	99-8317	4	Washer-Adjust (0.56Mm)
80	99-8307	4	Washer-Plain	110	99-8318	4	Washer-Adjust (0.58Mm)
90	107-7826	4	Piece-Nozzle	110	99-8319	4	Washer-Adjust (0.80Mm)
100	99-8309	4	Adjusting Washer ASM	120	98-7676	4	Gasket
110	99-8310	4	Washer-Adjust (0.10Mm)	130	98-7677	4	Seal-Heat



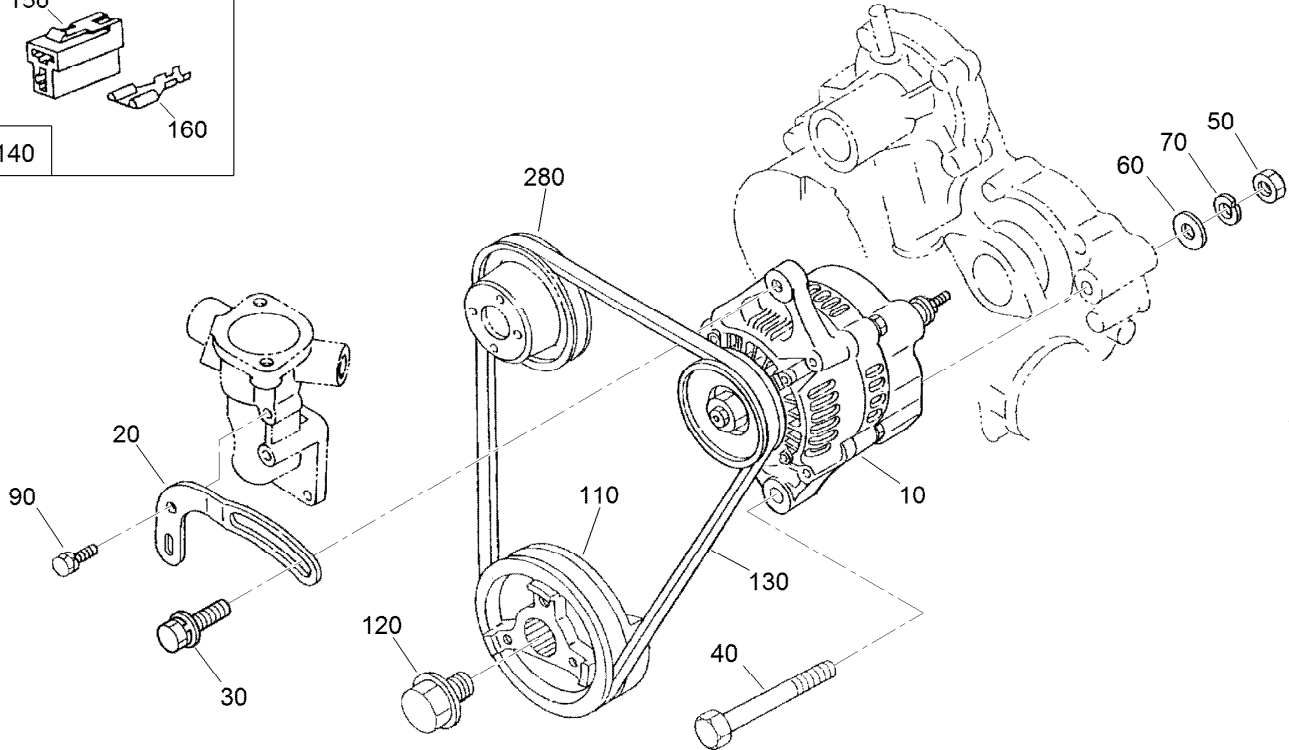
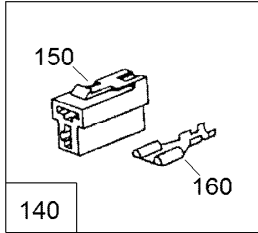
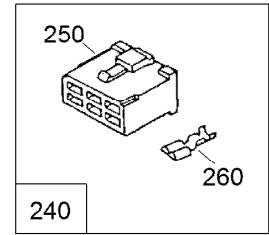
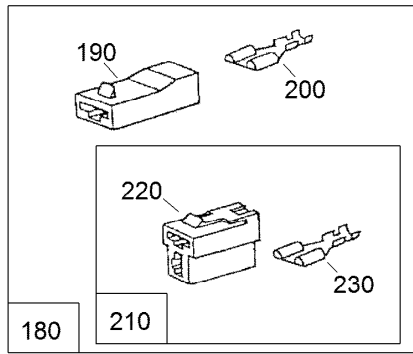
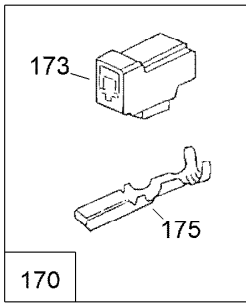
Governor Assembly

<i>Ref.</i>	<i>Part Number</i>	<i>Qty.</i>	<i>Description</i>	<i>Ref.</i>	<i>Part Number</i>	<i>Qty.</i>	<i>Description</i>
10	105-3741	1	Spring-Start	70	107-9085	1	Shaft-Lever, Fork
20	98-9681	1	Spring-Governor	80	107-9086	1	Shaft-Lever, Fork
30	115-4502	1	Fork Lever ASM	90	98-9570	1	Bearing-Miniaturize
40	98-9692	2	Roller	100	115-4122	1	Cover-Shaft, Fork Lever
50	107-9083	1	Lever-Thrust	110	98-9682	1	Gasket
60	107-9084	1	Lever-Fork	120	98-9350	2	Bolt
65	108-2867	1	Spring	130	98-9567	1	Collar
66	98-7580	2	Ball	140	98-9571	1	Bearing-Miniaturize



Fuel Filter Assembly

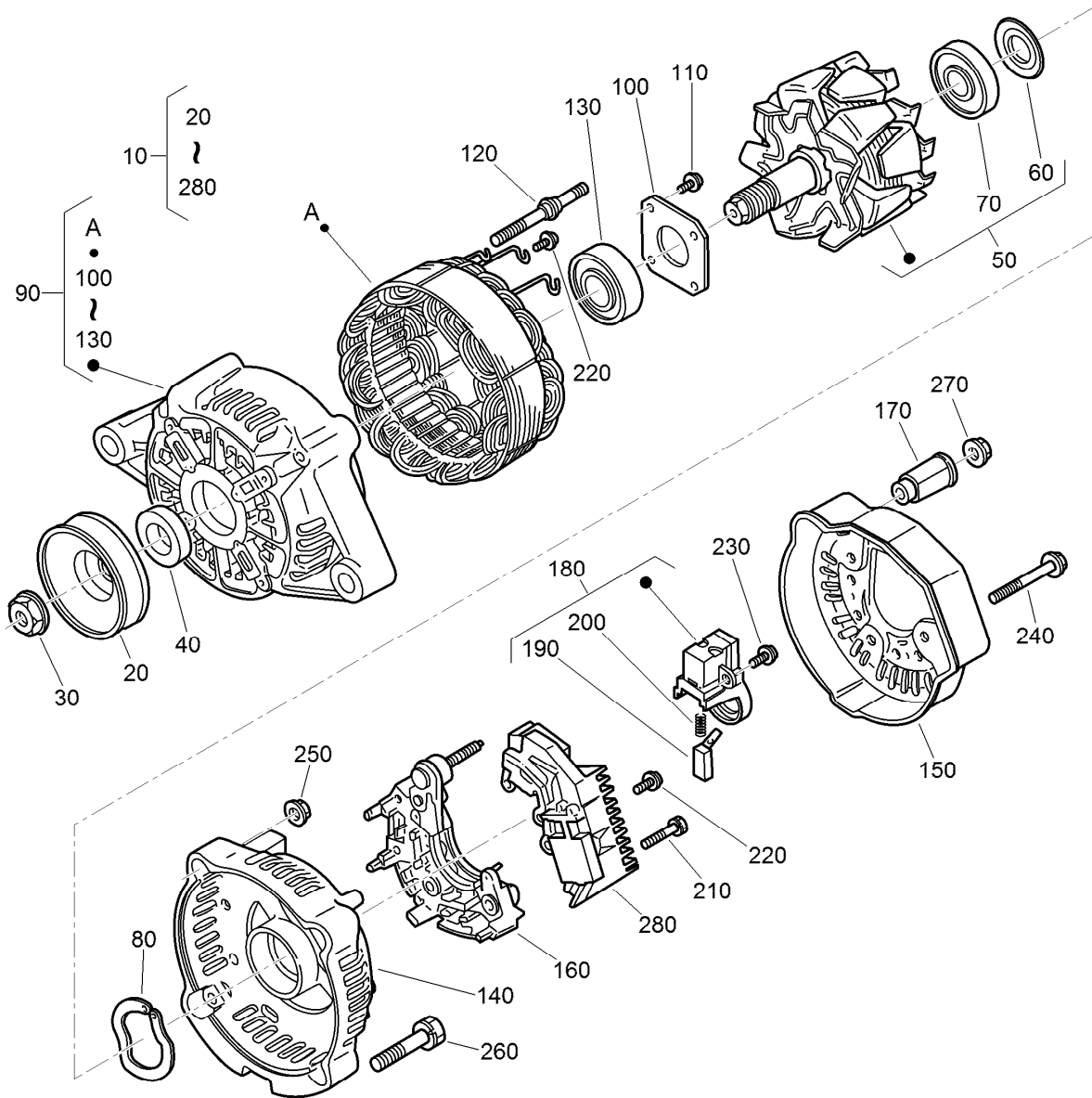
<i>Ref.</i>	<i>Part Number</i>	<i>Qty.</i>	<i>Description</i>	<i>Ref.</i>	<i>Part Number</i>	<i>Qty.</i>	<i>Description</i>
10	130-1188	1	Fuel Filter ASM	110	98-7610	2	Bolt
20	130-1187	1	Element-Filter	120	130-1270	1	Fuel Pipe ASM
30	130-1189	1	Filter Cover ASM	130	130-1172	1	Tube-Fuel
50	130-1180	1	Joint-Pipe	140	100-2217	2	Clip-Pipe
60	130-1181	1	Joint-Pipe	150	130-1222	1	Pipe-Fuel
70	130-1329	1	Plug-Filter Breather	160	98-7616	4	Clip-Pipe
80	130-1179	1	O Ring	170	130-1330	1	Pipe-Over Flow, Fuel
90	130-1190	1	Mark-Form	180	98-7672	6	Clip-Pipe
100	130-1271	1	Holder-Fuel Filter				



Alternator and Pulley Assembly

Ref.	Part Number	Qty.	Description
10	98-9474	1	Alternator ASM
20	112-7047	1	Stay-Dynamo
30	108-7088	1	Bolt
40	98-9360	1	Bolt
50	98-7737	1	Nut
60	98-9366	1	Washer-Plain
70	98-7738	1	Washer-Spring
90	98-7692	1	Bolt
110	105-3745	1	Pulley-Drive, Fan
120	98-9585	1	Bolt
130	98-9676	1	V-Belt
140	127-1606	1	Coupler ASM
150	98-9698	1	Connector
160	98-9699	2	Terminal

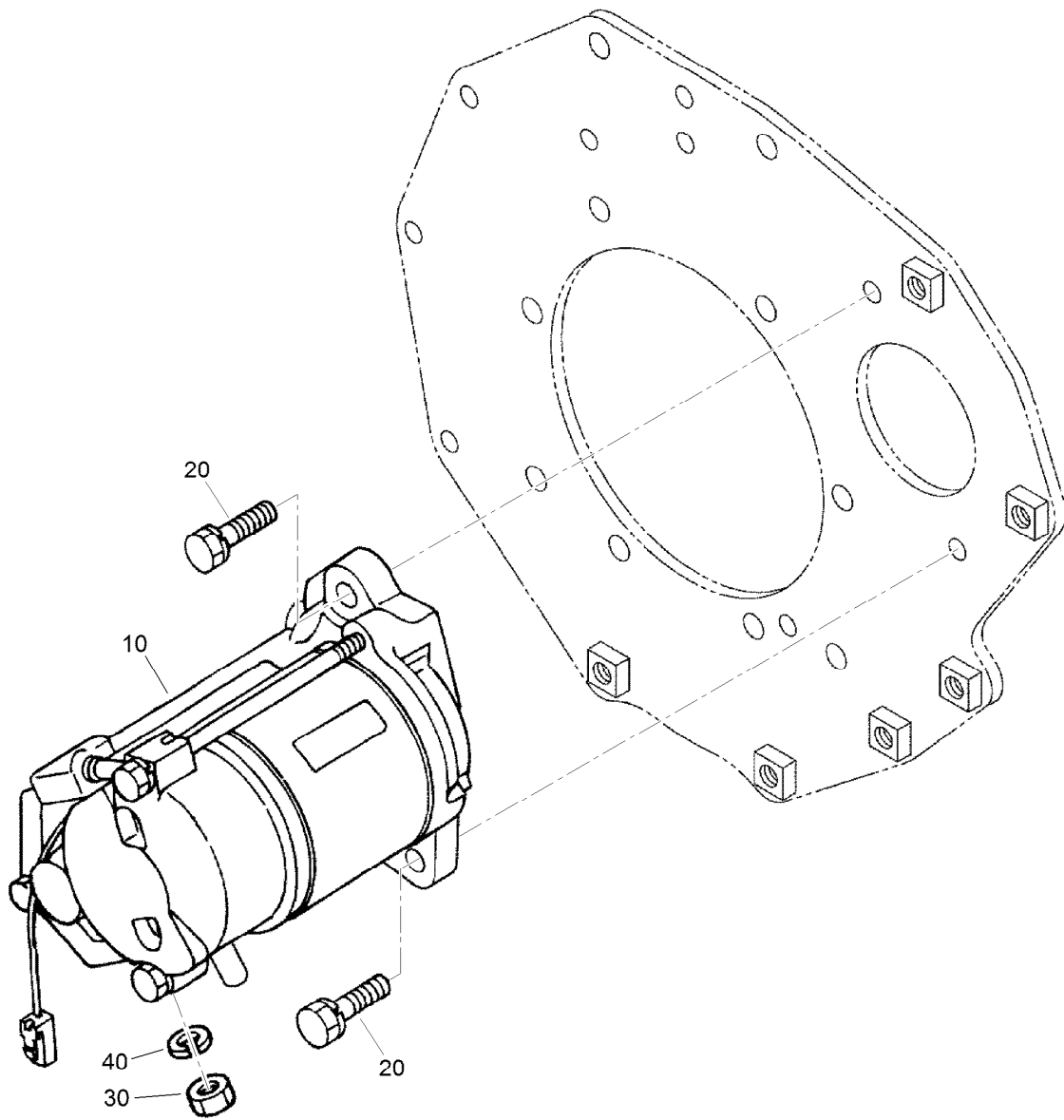
Ref.	Part Number	Qty.	Description
170	115-8600	1	Coupler ASM
173	115-8601	1	Connector
175	115-8602	1	Terminal
180	130-1229	1	Relay Coupler ASM
190	130-1230	2	Connector
200	130-1228	2	Terminal
210	127-1606	1	Coupler ASM
220	98-9698	1	Connector
230	98-9699	2	Terminal
240	130-1290	1	Connector Coupler ASM
250	98-9697	1	Connector
260	98-9699	5	Terminal
280	98-9584	1	Pulley-Fan



Alternator Components Assembly

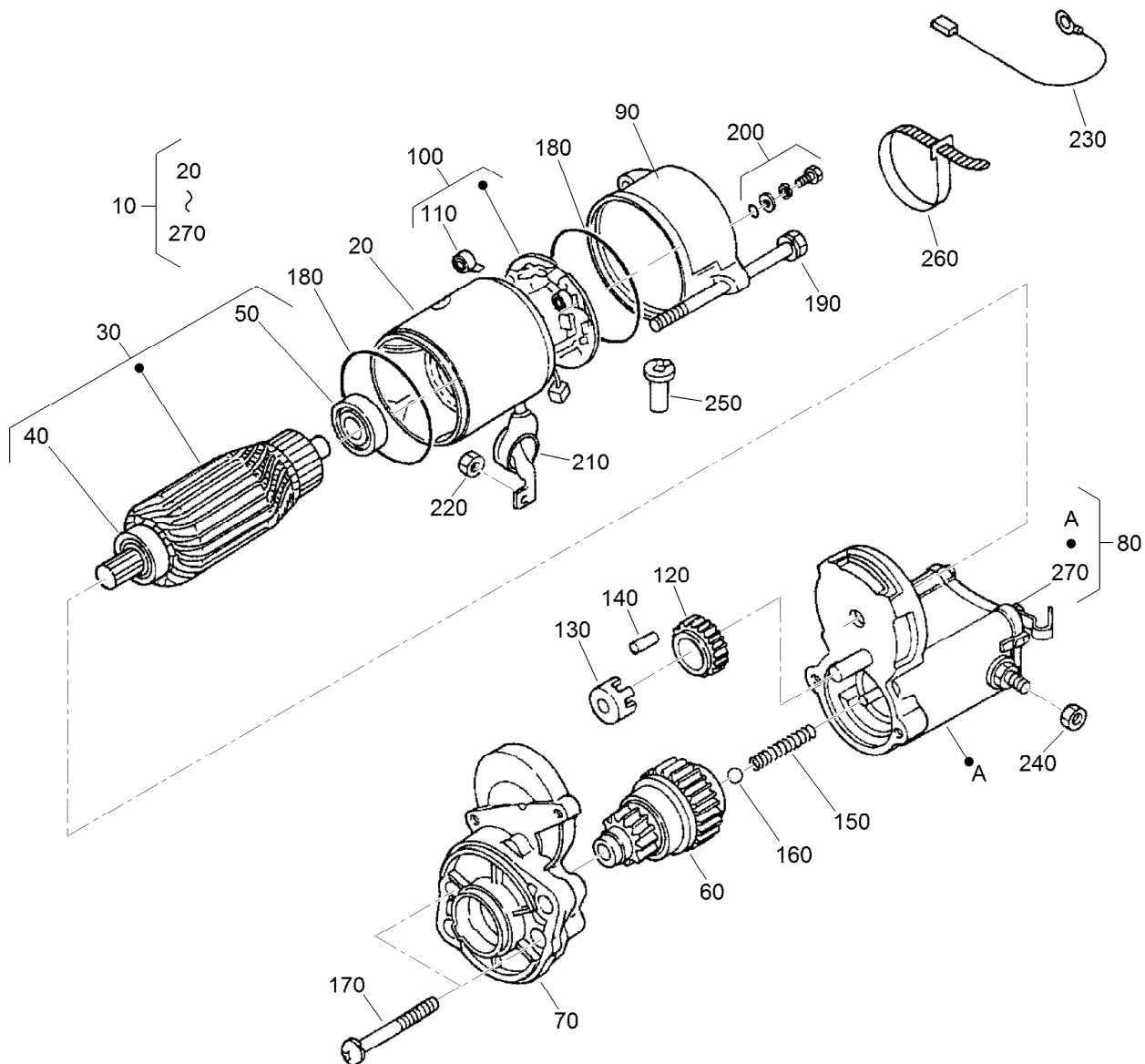
Ref.	Part Number	Qty.	Description
10	98-9474	1	Alternator ASM
20	98-9453	1	Pulley-Dynamo
30	98-7708	1	Nut
40	98-7709	1	Collar
50	107-0136	1	Rotor ASM
60	98-7711	1	Cover-Bearing
70	107-0138	1	Bearing-Ball
80	98-7713	1	Washer-Thrust
90	107-0139	1	Drive End Frame ASM
100	98-7715	1	Plate-Retainer
110	98-7716	4	Screw-Head, Round
120	98-7717	2	Bolt-Through
130	107-0137	1	Bearing-Ball
140	107-9087	1	Frame-End

Ref.	Part Number	Qty.	Description
150	107-0140	1	Cover-End
160	127-1612	1	Rectifier ASM
170	98-7722	1	Bushing-Insulation
180	107-0141	1	Brush Holder ASM
190	98-7724	2	Brush
200	98-7725	2	Spring-Brush
210	98-7726	2	Screw-Head, Round
220	98-7727	6	Screw-Head, Round
230	98-7728	1	Screw-Head, Round
240	98-7729	3	Bolt
250	98-7730	2	Nut
260	98-7731	2	Bolt
270	98-7732	1	Nut
280	110-3799	1	Regulator ASM



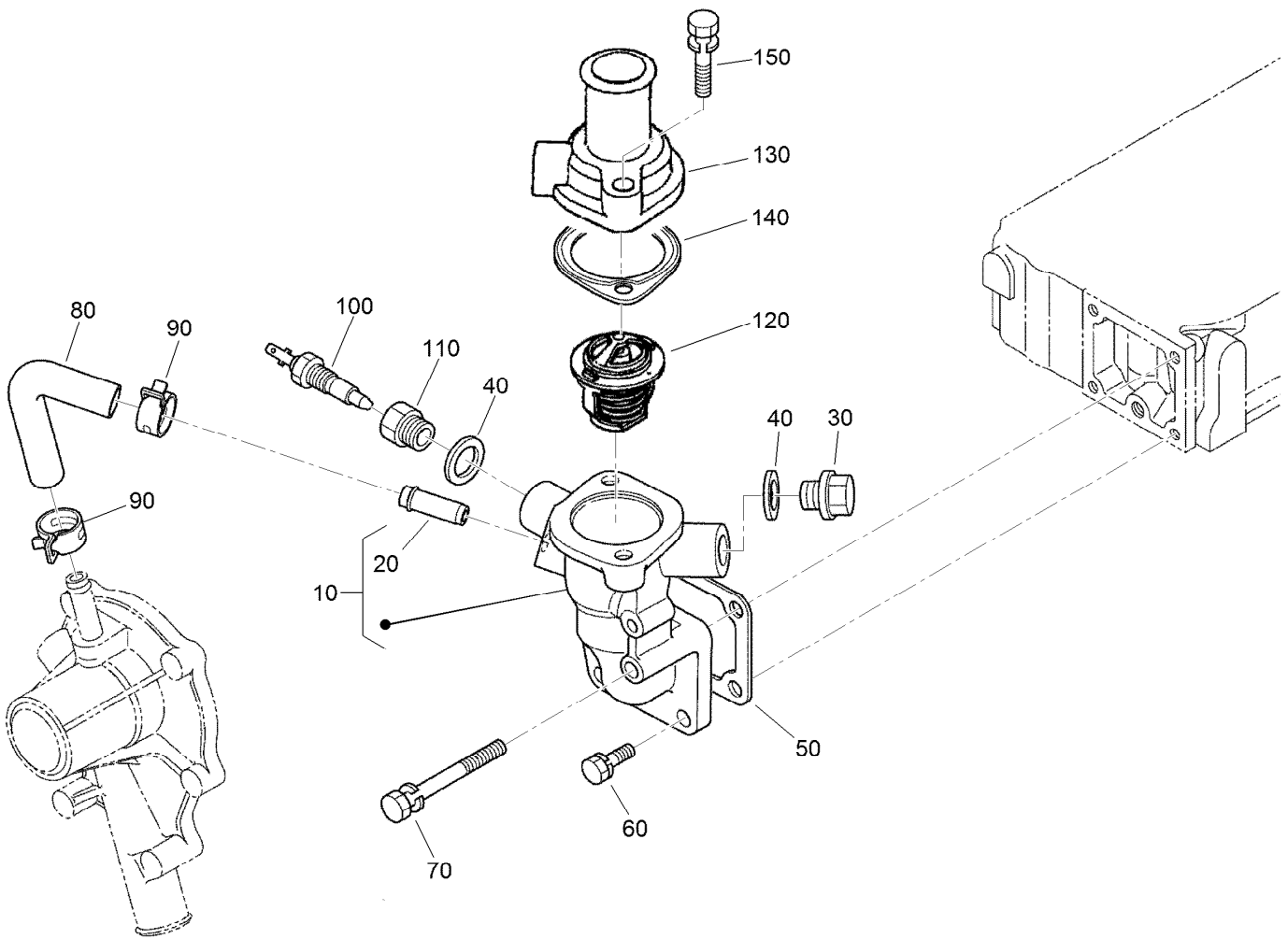
Starter Assembly

<i>Ref.</i>	<i>Part Number</i>	<i>Qty.</i>	<i>Description</i>
10	98-9705	1	Starter ASM
20	98-7697	2	Bolt
30	98-7739	1	Nut
40	105-2893	1	Washer-Spring



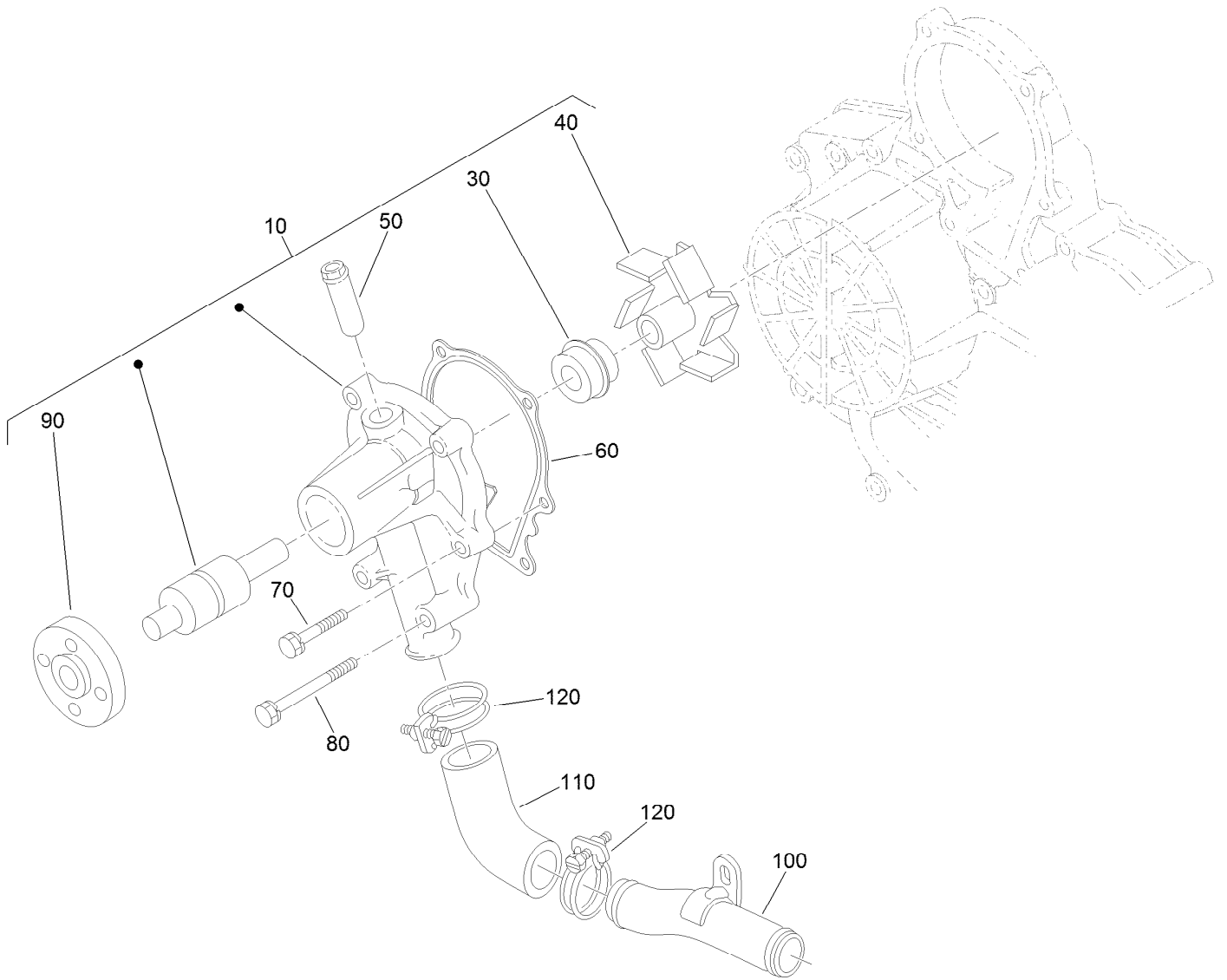
Starter (Component Part) Assembly

Ref.	Part Number	Qty.	Description	Ref.	Part Number	Qty.	Description
10	98-9705	1	Starter ASM	150	98-7754	1	Spring
20	104-8608	1	Yoke ASM	160	98-7755	1	Ball
30	98-7742	1	Armature ASM	170	98-7756	2	Bolt
40	98-7744	1	Bearing	180	98-7757	2	O-Ring
50	98-7743	1	Bearing	190	100-9240	2	Bolt
60	99-8373	1	Clutch-Running, Over	200	98-7758	2	Bolt ASM
70	99-8374	1	Frame-End, Drive	210	99-8375	1	Cover
80	105-3746	1	Magnetic Switch ASM	220	99-8371	1	Nut-Hex
90	98-7748	1	Frame-End	230	98-9711	1	Cord-Solenoid, Stop
100	98-7749	1	Brush Holder ASM	240	99-8376	1	Nut-Hex
110	98-7750	4	Spring-Brush	250	98-7759	1	Pipe-Drain
120	98-7751	1	Gear	260	98-9712	1	Band-Cover
130	98-7752	1	Retainer	270	105-2886	1	Cover ASM
140	98-7753	5	Roller				



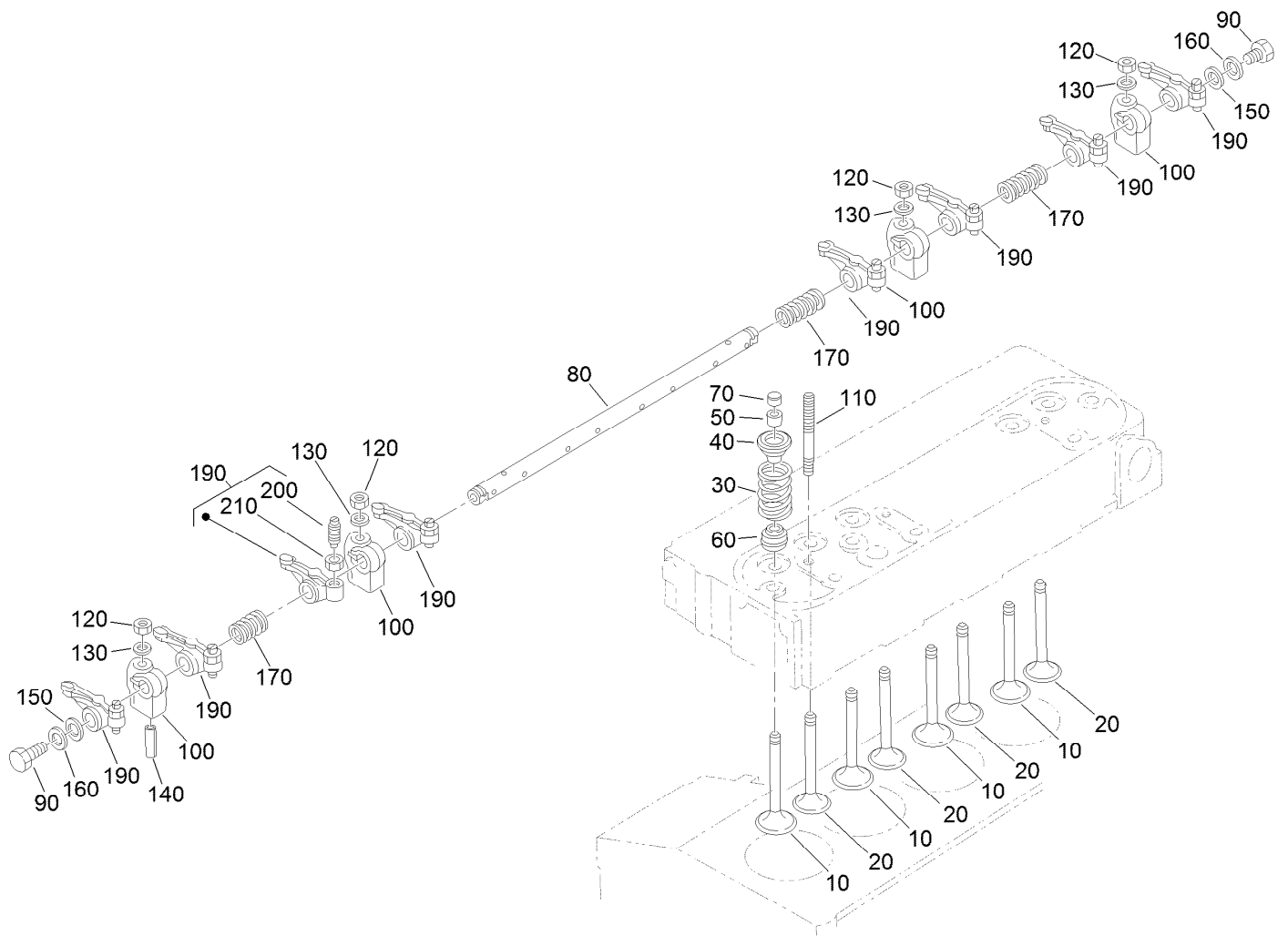
Water Flange and Thermostat Assembly

<i>Ref.</i>	<i>Part Number</i>	<i>Qty.</i>	<i>Description</i>
10	98-9713	1	Water Flange ASM
20	98-9580	1	Pipe-Return, Water
30	105-3747	1	Plug
40	99-3583	2	Gasket
50	98-9638	1	Gasket-Flange, Water
60	98-7692	3	Bolt
70	98-9356	1	Bolt
80	98-9578	1	Pipe-Return, Water
90	98-9579	2	Band-Pipe
100	100-1983	1	Thermo-Switch
110	130-1377	1	Adapter-Thermoswitch
120	98-7778	1	Thermostat ASM
130	98-9471	1	Cover-Thermostat
140	105-3748	1	Gasket-Thermostat
150	98-7777	2	Bolt



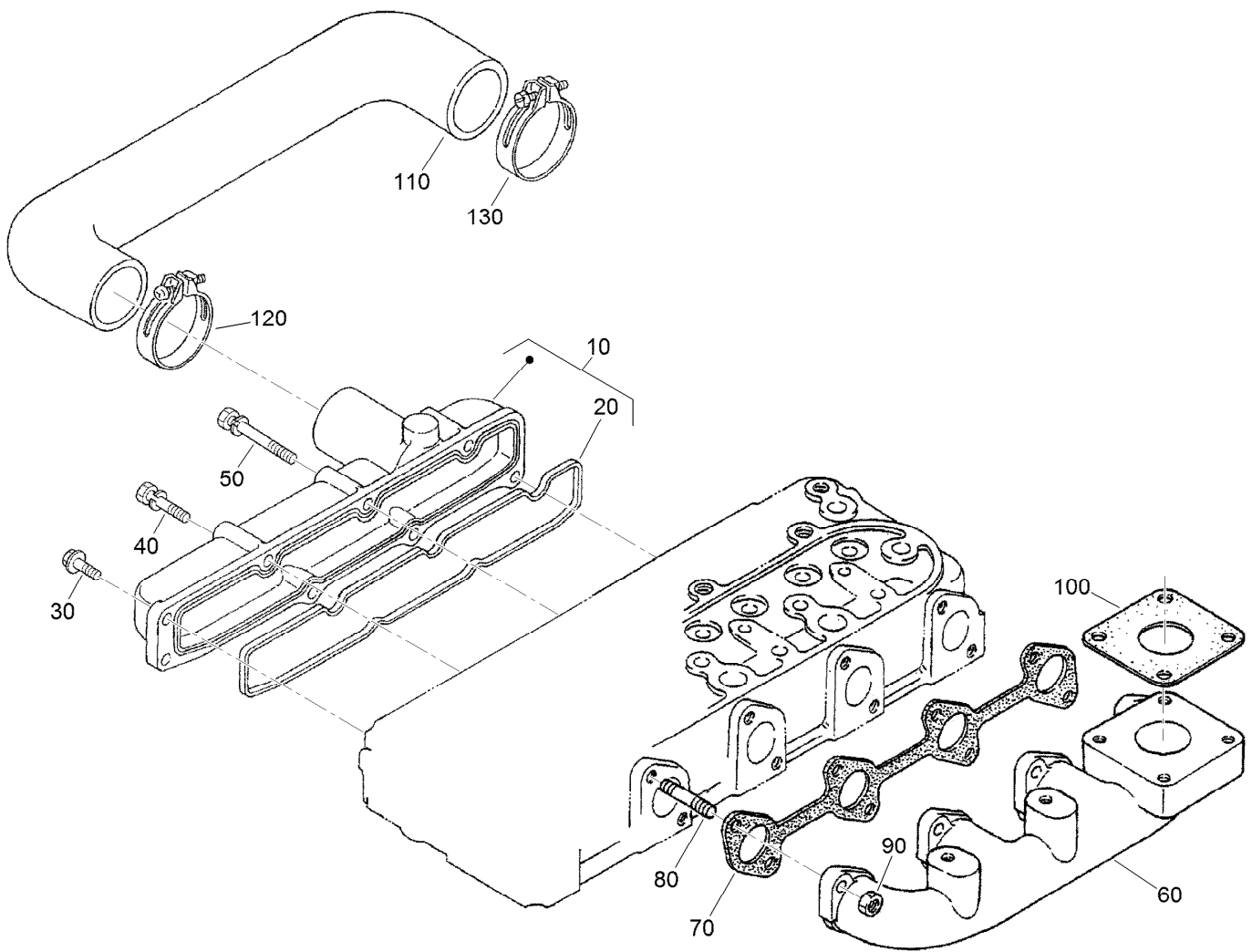
Water Pump Assembly

Ref.	Part Number	Qty.	Description
10	107-9089	1	Water Pump ASM
30	105-3750	1	Mechanical Seal ASM
40	112-7017	1	Impeller-Pump, Water
50	100-1932	1	Pipe-Return, Water
60	99-3454	1	Gasket-Pump, Water
70	98-9353	4	Bolt
80	107-9090	2	Bolt
90	99-3516	1	Flange-Pump, Water
100	98-9716	1	Pipe-Water
110	107-9091	1	Pipe-Water
120	98-9717	2	Clamp



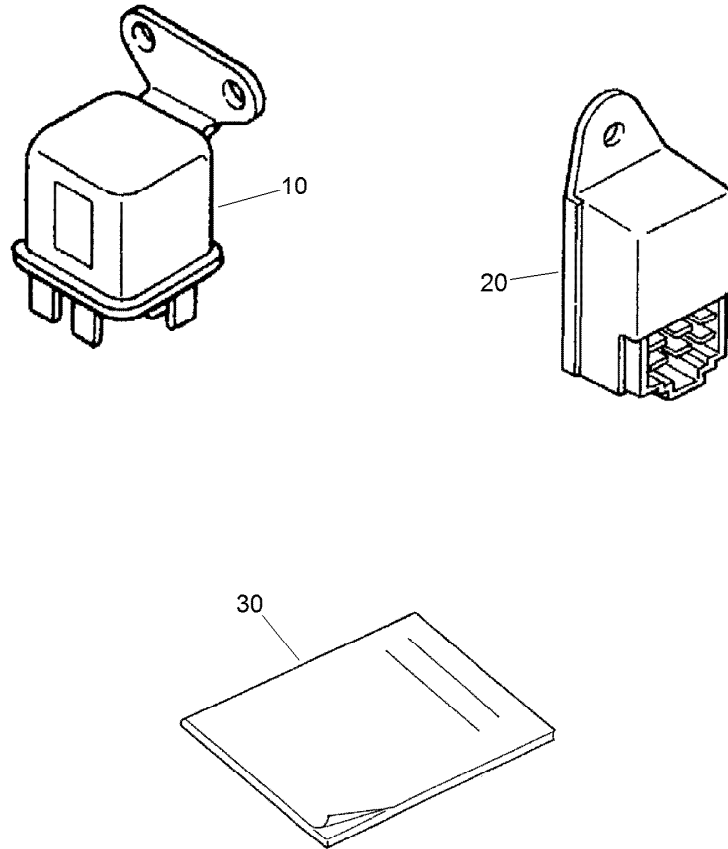
Valve and Rocker Arm Assembly

<i>Ref.</i>	<i>Part Number</i>	<i>Qty.</i>	<i>Description</i>	<i>Ref.</i>	<i>Part Number</i>	<i>Qty.</i>	<i>Description</i>
10	112-7018	4	Valve-Inlet	110	98-9506	4	Stud
20	120-2564	4	Valve-Exhaust	120	98-9393	4	Nut
30	98-9648	8	Spring-Valve	130	98-9385	4	Washer-Flat
40	107-9092	8	Retainer-Spring	140	105-3758	1	Pin-Spring
50	117-7572	8	Collet-Spring, Valve	150	98-9507	2	Washer-Shaft, Rocker Arm
60	99-8385	8	Seal-Stem, Valve	160	110-3832	2	Washer-Plain
70	98-9497	8	Cap-Valve	170	98-9504	3	Spring-Arm, Rocker
80	127-0420	1	Shaft-Arm, Rocker	190	112-7020	8	Rocker Arm ASM
90	99-8363	2	Bolt-Flange	200	98-9502	8	Screw-Adjusting
100	98-9505	4	Bracket-Arm, Rocker	210	98-9503	8	Nut



Intake and Exhaust Manifold Assembly

<i>Ref.</i>	<i>Part Number</i>	<i>Qty.</i>	<i>Description</i>
10	130-1257	1	Intake Manifold ASM
20	105-3760	1	Gasket-Manifold, Intake
30	127-0403	3	Bolt-Flange
40	98-9353	2	Bolt
50	125-9063	3	Bolt-Sems
60	130-1268	1	Manifold-Exhaust
70	105-3765	1	Gasket-Manifold, Exhaust
80	98-9588	8	Stud
90	98-9665	8	Nut
100	99-8343	2	Gasket-Muffler
110	130-1284	1	Pipe-Inlet
120	130-1196	2	Band-Pipe
130	130-1182	2	Band-Pipe



Miscellaneous Engine Parts

<i>Ref.</i>	<i>Part Number</i>	<i>Qty.</i>	<i>Description</i>
10	130-1244	1	Relay ASM
20	130-1211	1	Timer-Lamp, Glow
30	115-4104	1	Operator Manual

Attachments and Accessories

For 30657 LT3340 Heavy-Duty Triple Turf Mower Traction Unit

Product Name	Model/Part
MK3 200mm (8in) 4-Blade Cutting Unit.....	02800
MK3 200mm (8in) 6-Blade Cutting Unit.....	02801
MK3 200mm (8in) 8-Blade Cutting Unit.....	02802
MK3 200mm (8in) 10-Blade Cutting Unit.....	02803
MK3 250mm (10in) 4-Blade Cutting Unit.....	02810
MK3 250mm (10in) 6-Blade Cutting Unit.....	02811
MK3 250mm (10in) 8-Blade Cutting Unit.....	02812
Floating Cutting Unit Kit, 3-Plex Mower.....	02820
Smooth Roller 200mm (8in) Cutting Unit.....	02822
Grooved Roller 200mm (8in) Cutting Unit.....	02823
Standard Seat Fabric Upgrade Kit.....	02864
Deluxe Replacement PVC Air Seat.....	02865
Deluxe Replacement Fabric Air Seat.....	02866
Cab Mauser KS-534 (Including Heater).....	02890
Air Conditioning Kit.....	02891
Air Conditioning Fit Kit (CT, LT & GM).....	02892
Kevlar Tyre Kit.....	02914
Road Light Kit (Includes Brake Light Kit).....	02915
Flashing Beacon Kit, LT-F3000 Heavy-Duty Triple Turf Flail Mower.....	02920
Blower Carrier Kit, CT, LT, LT-F Series Turf Mowers or Groundsmaster 3400 Traction Unit.....	02921
TÜV Kit - Speed Decal 20kph.....	02980
TÜV Kit - Deck Cover 3-gang.....	02982
TÜV Kit - German Vehicle Serial Plate.....	02983
Warning Triangle.....	111-4250
Fuse-In Line.....	111-5101

Notes:

Notes:



Count on it.