



**Count on it.**

**Parts Catalog**

**Z Master® Professional 6000  
Series Riding Mower**

**with 152cm TURBO FORCE® Side Discharge  
Mower**

Model No. 74925TE—Serial No. 40000000 and Up



# Ordering Replacement Parts

To order replacement parts, please supply the part number, the quantity, and the description of each part desired.

## Understanding Reference Numbers

Each identified part in an illustration has a reference number. The reference number for a part also appears in the parts list, along with other information about the part.

This catalog uses two special reference number formats, one to indicate parts in a service assembly and another to indicate the quantity of a given part in an illustration.

## Service Assembly Reference Numbers

Parts in service assemblies have reference numbers in the form a:b. The a represents the reference number of the entire service assembly and the b represents a sequential number unique to each part within the service assembly.

For example, a wheel assembly might be identified by reference number 6, the tire by 6:1, the valve by 6:2, and the wheel by 6:3. When you order the assembly identified by reference number 6, you receive all parts identified by reference numbers 6:1, 6:2, and 6:3. However, you may also order any part individually. Reference numbers of this type appear in illustration and in parts lists.

## Reference Numbers Indicating Quantity

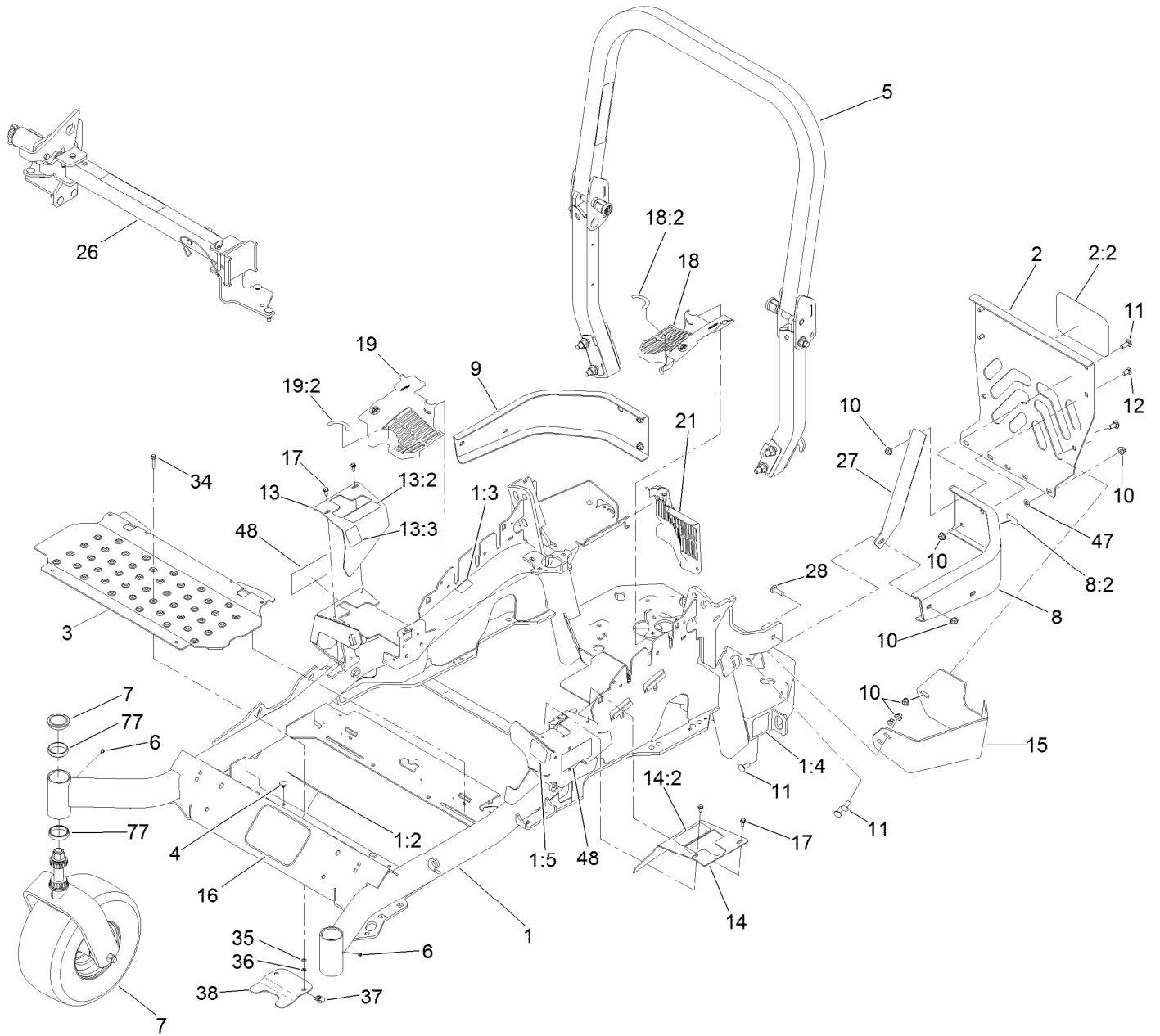
In an illustration, if a reference number indicates more than one part, the reference number has the form nX y. The n represents the quantity of the part, the X is the multiplication symbol, and the y represents the reference number.

For example, in an illustration, the reference number 2X 37 means that two of the parts identified by reference number 37 are indicated.

# Contents

|  |    |
|--|----|
| Frame, Caster and Z Stand Assembly .....               | 4  |
| Roll-Over Protection System Assembly No. 116-0232..... | 6  |
| Caster Wheel and Fork Assembly .....                   | 8  |
| Z Stand Assembly .....                                 | 10 |
| Hydraulic Pump, Idler and Belt Assembly.....           | 12 |
| Pump Idler Assembly No. 116-1255 .....                 | 14 |
| LH Hydro Assembly No. 126-1325 .....                   | 16 |
| RH Hydro Assembly No. 126-1326 .....                   | 18 |
| Parking Brake and Wheel Assembly .....                 | 20 |
| Fuel Assembly .....                                    | 22 |
| Fuel Tank Assembly No. 135-0643 .....                  | 24 |
| Seat Mounting Assembly .....                           | 26 |
| Seat Assembly No. 125-3107 .....                       | 28 |
| Motion Control Assembly .....                          | 30 |
| Fender, Console and Control Assembly .....             | 32 |
| LH Console Assembly No. 115-7401 .....                 | 34 |
| RH Console Assembly No. 115-7400 .....                 | 36 |
| Electrical System Assembly .....                       | 38 |
| Deck Lift Assembly.....                                | 40 |
| Height-of-Cut Assembly No. 117-3842.....               | 42 |
| Engine, Muffler and Clutch Assembly .....              | 44 |
| Deck Assembly .....                                    | 46 |
| Deck Decal Assembly No. 131-7683 .....                 | 48 |
| Idler Arm Assembly .....                               | 50 |
| Spindle Assembly No. 127-0560.....                     | 52 |
| Rubber Deflector Assembly No. 108-2792.....            | 54 |
| Attachments and Accessories .....                      | 56 |

# Frame, Caster and Z Stand Assembly

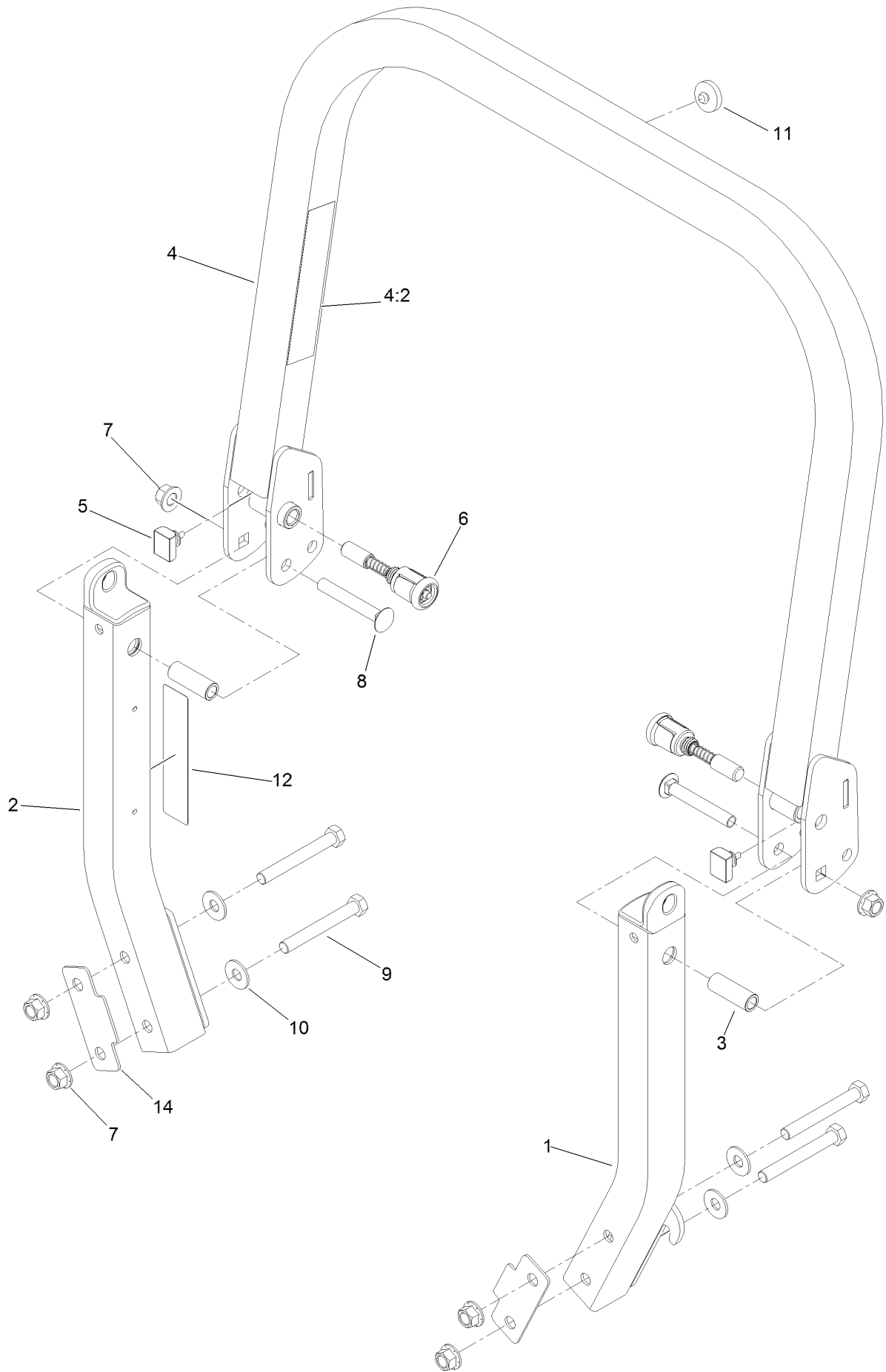


## Frame, Caster and Z Stand Assembly (continued)

| <i>Ref.</i> | <i>Part Number</i> | <i>Qty.</i> | <i>Description</i>           | <i>Ref.</i> | <i>Part Number</i> | <i>Qty.</i> | <i>Description</i>          |
|-------------|--------------------|-------------|------------------------------|-------------|--------------------|-------------|-----------------------------|
| 1           | 131-7681           | 1           | Main Frame ASM               | 14          | 117-3831           | 1           | LH Motion Control Cover ASM |
| 1:2         | 132-0871           | 1           | Decal-Danger                 | 14:2        | 99-8936            | 1           | Decal-Control, Motion       |
| 1:3         | 106-5517           | 2           | Decal-Warning                | 15          | 117-0908-03        | 1           | Guard-Muffler               |
| 1:4         | 106-2655           | 2           | Decal-Hazard, Pinched Finger | 16          | 68-3640            | 1           | Decal                       |
| 1:5         | 117-3864           | 1           | Decal-Fuel Fill, CE          | 17          | 32144-10           | 4           | Screw-HWH                   |
| 2           | 115-7410           | 1           | Rear Guard ASM               | 18          | 117-3838           | 1           | LH Hydro Guard ASM          |
| 2:2         | 67-7320            | 1           | Decal                        | 18:2        | 117-3811           | 1           | Decal-Hydro Oil             |
| 3           | 116-8898-01        | 1           | Floorpan                     | 19          | 117-3839           | 1           | RH Hydro Guard ASM          |
| 4           | 1-513658           | 2           | Bumper                       | 19:2        | 117-3811           | 1           | Decal-Hydro Oil             |
| 5           | 116-0232           | 1           | ROPS ASM                     | 21          | 109-9058           | 1           | Guard-Hydro, Rear (RH)      |
| 6           | 1-811010           | 2           | Plug                         | 26          |                    | 1           | Z Stand ASM ●               |
| 7           |                    | 2           | Caster Wheel ASM ●           | 27          | 127-0324-03        | 1           | Strap                       |
| 8           | 117-3829           | 1           | LH Rear Bumper ASM           | 28          | 3231-25            | 1           | Bolt-CARR                   |
| 8:2         | 106-5517           | 1           | Decal-Warning                | 34          | 3234-4             | 2           | Screw-HHF                   |
| 9           | 116-0057-03        | 1           | Bumper-RH                    | 35          | 3256-60            | 2           | Washer-Flat                 |
| 10          | 104-8301           | 11          | Nut-Flange, NI               | 36          | 106-8737           | 2           | Nut-Retainer                |
| 11          | 3231-22            | 7           | Screw-CARR                   | 37          | 107069             | 2           | Clip                        |
| 12          | 3231-21            | 3           | Screw-CARR                   | 38          | 119-0395-03        | 1           | Adapter-Captive             |
| 13          | 116-5898           | 1           | RH Motion Control Cover ASM  | 47          | 107-3154           | 2           | Nut-Push                    |
| 13:2        | 99-8936            | 1           | Decal-Control, Motion        | 48          | 120-5895           | 2           | Decal                       |
| 13:3        | 116-5988           | 1           | Decal-Park Brake, CE         | 77          | 1-543508           | 4           | Cup-Bearing                 |

● Not serviced separately

# Roll-Over Protection System Assembly No. 116-0232

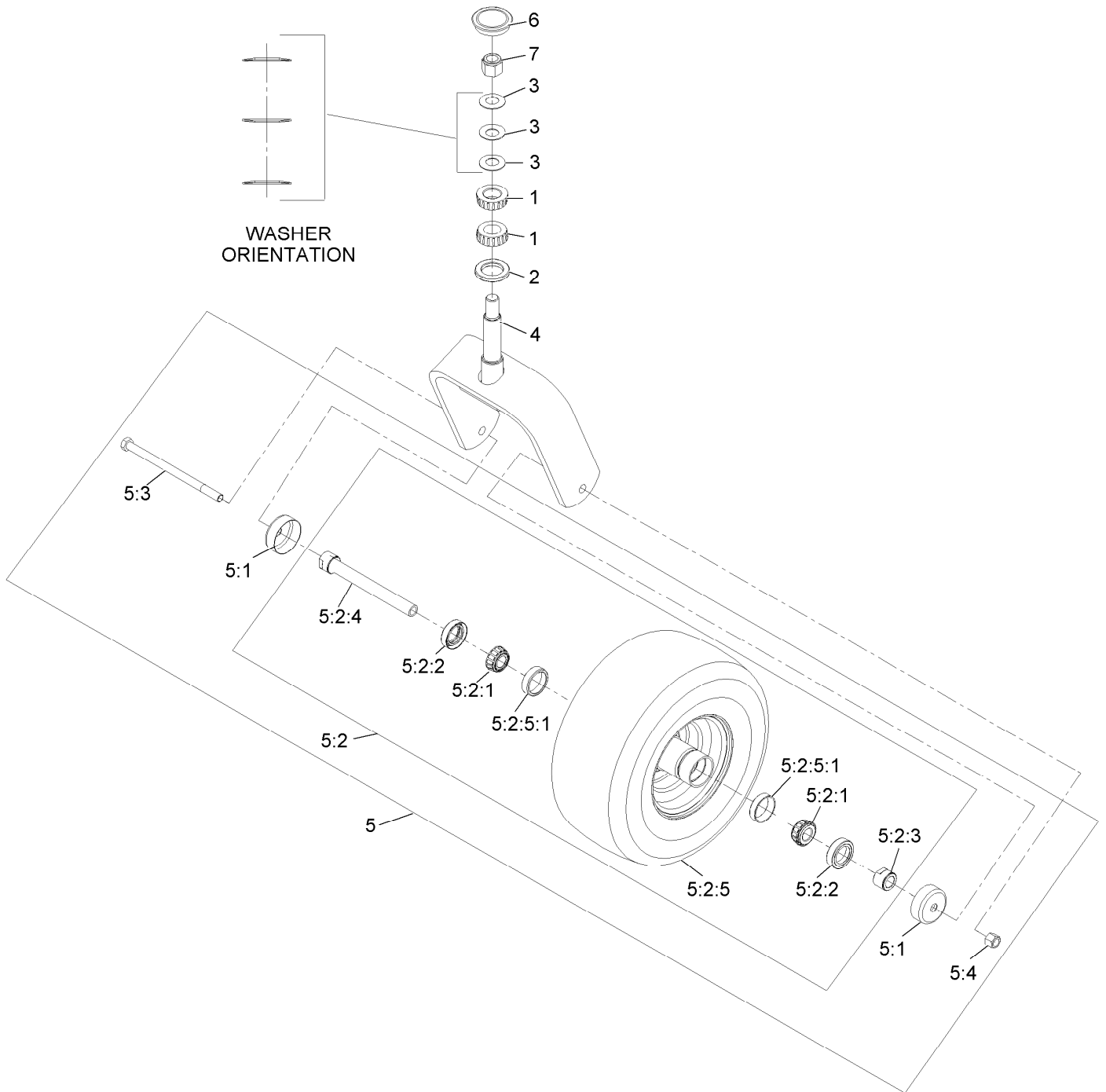


# Roll-Over Protection System Assembly No. 116-0232 (continued)

| <i>Ref.</i> | <i>Part Number</i> | <i>Qty.</i> | <i>Description</i> | <i>Ref.</i> | <i>Part Number</i> | <i>Qty.</i> | <i>Description</i>       |
|-------------|--------------------|-------------|--------------------|-------------|--------------------|-------------|--------------------------|
| 1           |                    | 1           | Leg-ROPS, LH ●     | 7           | 99-5107            | 6           | Nut-Lock                 |
| 2           |                    | 1           | Leg-ROPS, RH ●     | 8           | 3233-10            | 2           | Screw-CARR               |
| 3           | 109-6653           | 2           | Spacer             | 9           | 325-35             | 4           | Screw-HH                 |
| 4           |                    | 1           | Upper ROPS ASM ●   | 10          | 109-9505           | 4           | Washer-Spring            |
| 4:2         | 107-3069           | 1           | Decal-Warning      | 11          | 109-9233           | 1           | Bumper-Push-In, Rubber   |
| 5           | 109-5337           | 2           | Bumper-ROPS        | 12          | 117-0346           | 1           | Decal-Caution, Fuel Vent |
| 6           | 116-0104           | 2           | Pin-Spring         | 14          | 116-0960           | 2           | Spacer                   |

● Not serviced separately

# Caster Wheel and Fork Assembly





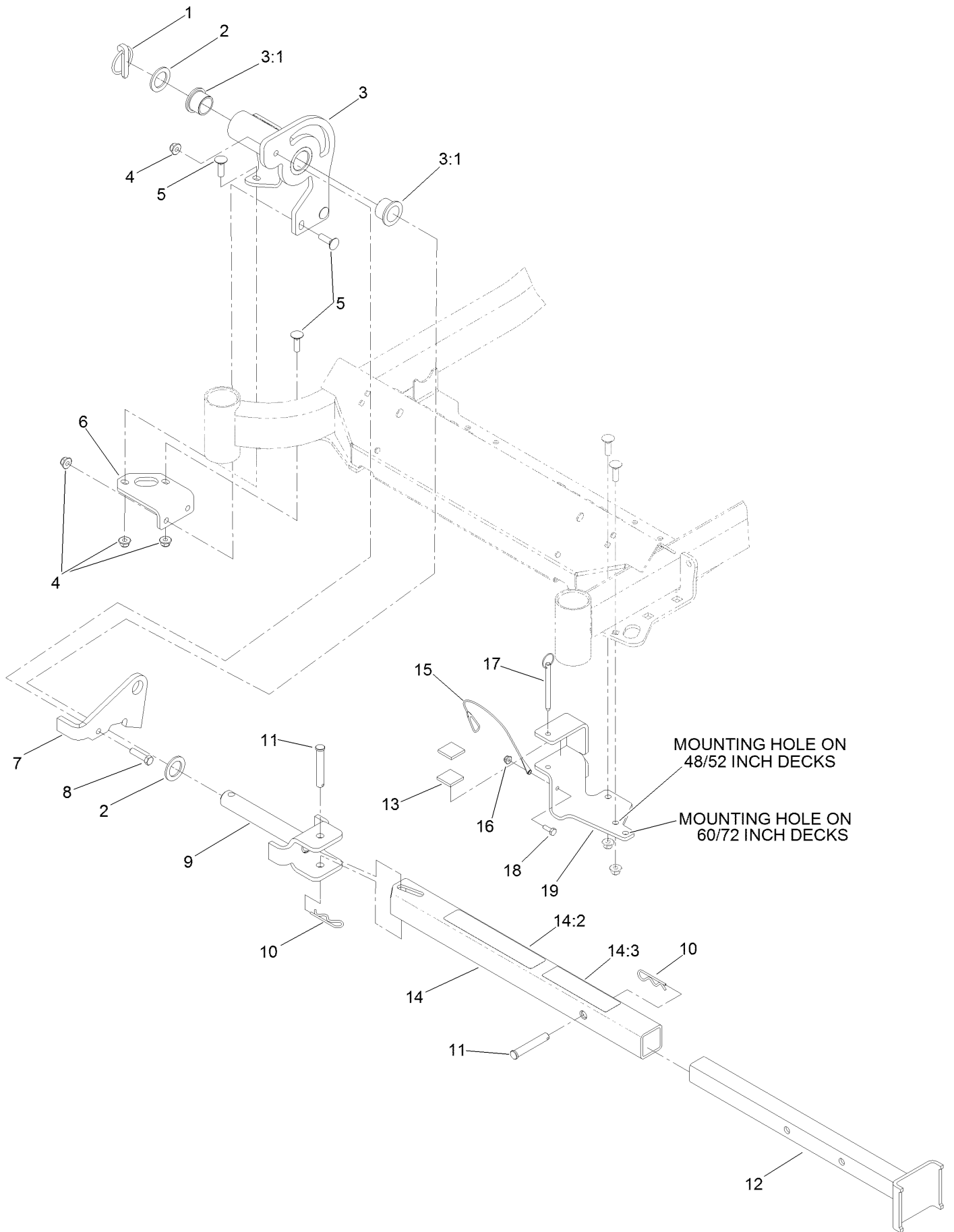
## Caster Wheel and Fork Assembly (continued)

| <i>Ref.</i> | <i>Part Number</i> | <i>Qty.</i> | <i>Description</i>      | <i>Ref.</i> | <i>Part Number</i> | <i>Qty.</i> | <i>Description</i>   |
|-------------|--------------------|-------------|-------------------------|-------------|--------------------|-------------|----------------------|
| 1           | 1-543509           | 2           | Bearing-Roller, Tapered | 5:2:3       | 103-3051           | 1           | Spacer-Nut ■         |
| 2           | 116-5647           | 1           | Seal-Grease             | 5:2:4       | 126-5361           | 1           | Axle Caster ASM      |
| 3           | 1-633508           | 3           | Washer-Bellville        | 5:2:5       |                    | 1           | Wheel And Tire ASM ● |
| 4           | 116-6707-01        | 1           | Caster                  | 5:2:5:1     | 1-633584           | 2           | Bearing-Cup          |
| 5           | 109-9127           | 1           | Wheel & Tire ASM        | 5:3         | 325-39             | 1           | Screw-HH             |
| 5:1         | 103-2768           | 2           | Guard-Seal              | 5:4         | 3296-23            | 1           | Nut-Lock, NI         |
| 5:2         |                    | 1           | Wheel And Tire ASM ●    | 6           | 103-4882           | 1           | Cap-Grease           |
| 5:2:1       | 1-633585           | 2           | Bearing-Cone, Taper     | 7           | 3296-51            | 1           | Nut-Lock, NI         |
| 5:2:2       | 103-0063           | 2           | Seal-Caster             |             |                    |             |                      |

● Not serviced separately

■ Use Pro-Lock, Nut Type (P/N 1-840022, .5ml tube) on threads.

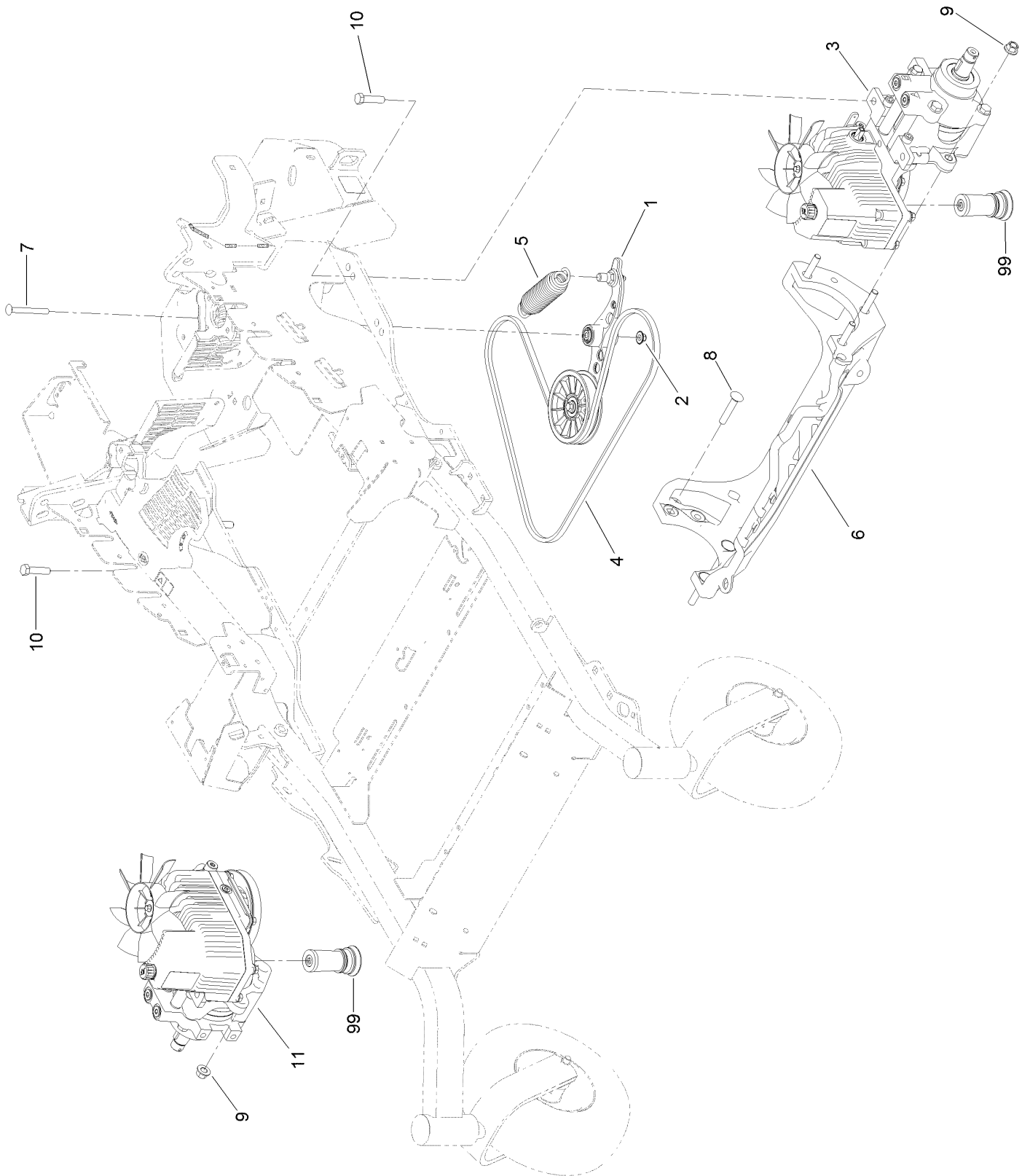
# Z Stand Assembly



## Z Stand Assembly (continued)

| <i>Ref.</i> | <i>Part Number</i> | <i>Qty.</i> | <i>Description</i>   | <i>Ref.</i> | <i>Part Number</i> | <i>Qty.</i> | <i>Description</i>    |
|-------------|--------------------|-------------|----------------------|-------------|--------------------|-------------|-----------------------|
| 1           | 283-71             | 1           | Pin-Lynch            | 11          | 283-55             | 2           | Pin-Clevis            |
| 2           | 3-6781             | 2           | Washer-Thrust        | 12          | 115-3631-01        | 1           | Tube-Inner            |
| 3           | 136-1669           | 1           | Pivot Plate ASM      | 13          | 115-3613           | 2           | Cushion-Rubber        |
| 3:1         | 94-1291            | 2           | Bushing              | 14          | 115-3634           | 1           | Outer Tube ASM        |
| 4           | 104-8301           | 8           | Nut-Flange, NI       | 14:2        | 106-7464           | 1           | Decal-Z Stand         |
| 5           | 3231-25            | 7           | Bolt-CARR            | 14:3        | 107-3969           | 1           | Decal-Warning         |
| 6           | 115-3619-01        | 1           | Bracket-Mount, Pivot | 15          | 100-9385           | 1           | Lanyard-Nylon         |
| 7           | 136-1657-01        | 1           | Plate-Latch          | 16          | 104-7201           | 1           | Nut-Flange, NI        |
| 8           | 323-8              | 1           | Screw-HH             | 17          | 105-1647           | 1           | Pin-Hitch, Cotterless |
| 9           | 100-9692-01        | 1           | Pin-Pivot            | 18          | 321-4              | 1           | Screw-HH              |
| 10          | 3290-355           | 2           | Pin-Hair             | 19          | 115-3625-01        | 1           | Cradle-Z Stand        |

# Hydraulic Pump, Idler and Belt Assembly

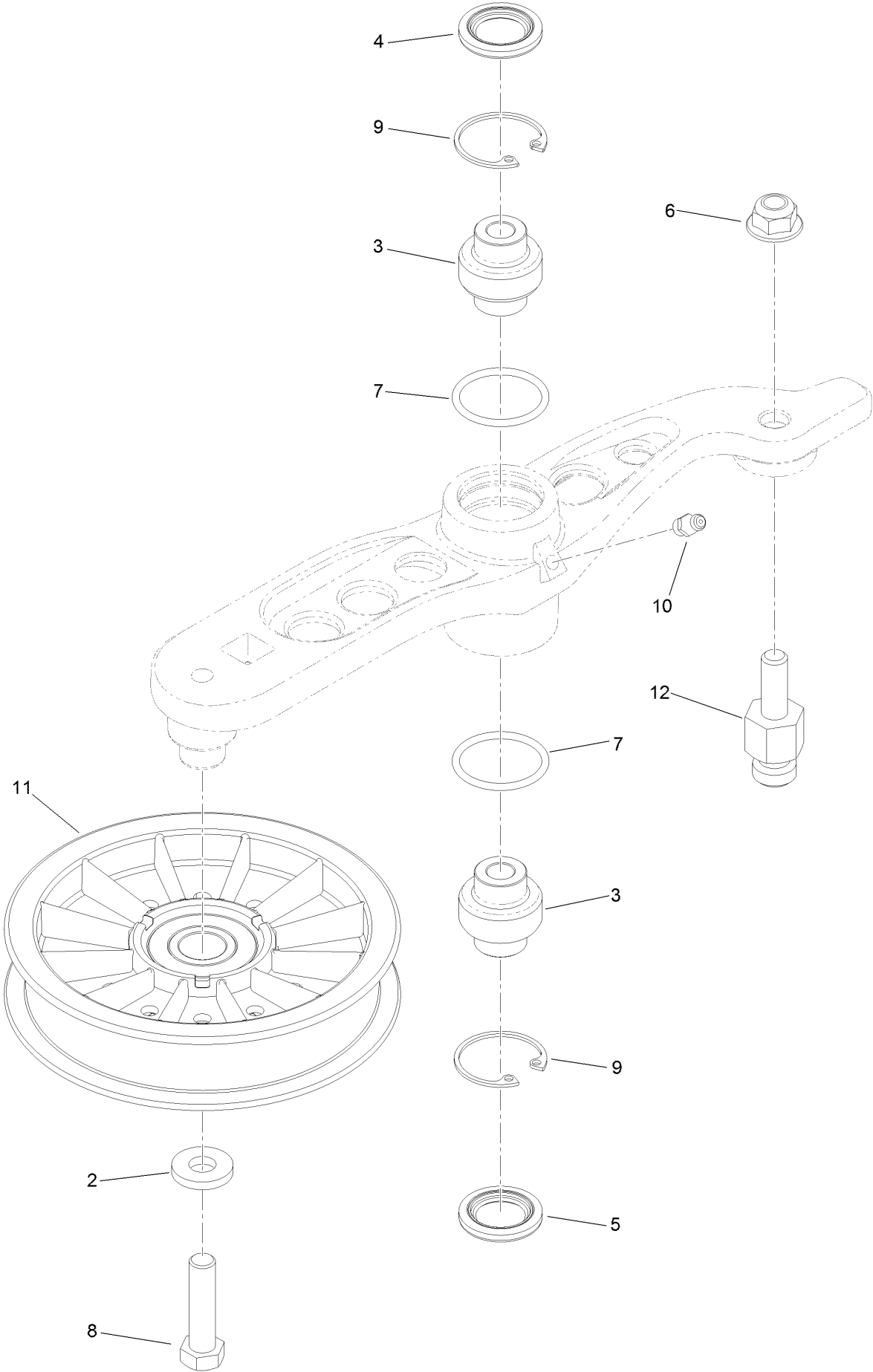


## Hydraulic Pump, Idler and Belt Assembly (continued)

| <i>Ref.</i> | <i>Part Number</i> | <i>Qty.</i> | <i>Description</i>              | <i>Ref.</i> | <i>Part Number</i> | <i>Qty.</i> | <i>Description</i>              |
|-------------|--------------------|-------------|---------------------------------|-------------|--------------------|-------------|---------------------------------|
| 1           | 116-1255           | 1           | Pump Idler ASM                  | 9           | 99-5107            | 6           | Nut-Lock                        |
| 2           | 109-6658           | 1           | Nut-Flange, NI                  | 10          | 325-8              | 4           | Screw-HH                        |
| 3           | 126-1325           | 1           | LH Hydro ASM (16Cc W/<br>Shock) | 11          | 126-1326           | 1           | RH Hydro ASM (16Cc W/<br>Shock) |
| 4           | 109-3388           | 1           | Belt                            | 99          | 114-4713           | 1           | Hypr-Oil 500 (Quart) ●          |
| 5           | 116-6317           | 1           | Spring-Extension                | 99          | 114-4714           | 1           | Hypr-Oil 500 (Gallon) ●         |
| 6           | 116-7558           | 1           | Cradle-Hydro                    | 99          | 114-4715           | 1           | Hypr-Oil 500-5 (5 Gallon) ●     |
| 7           | 116-1502           | 1           | Bolt-Shoulder, Carriage         | 99          | 117-0390           | 1           | Filter-Hydro                    |
| 8           | 126-0095           | 6           | Screw-CARR                      |             |                    |             |                                 |

● Not illustrated

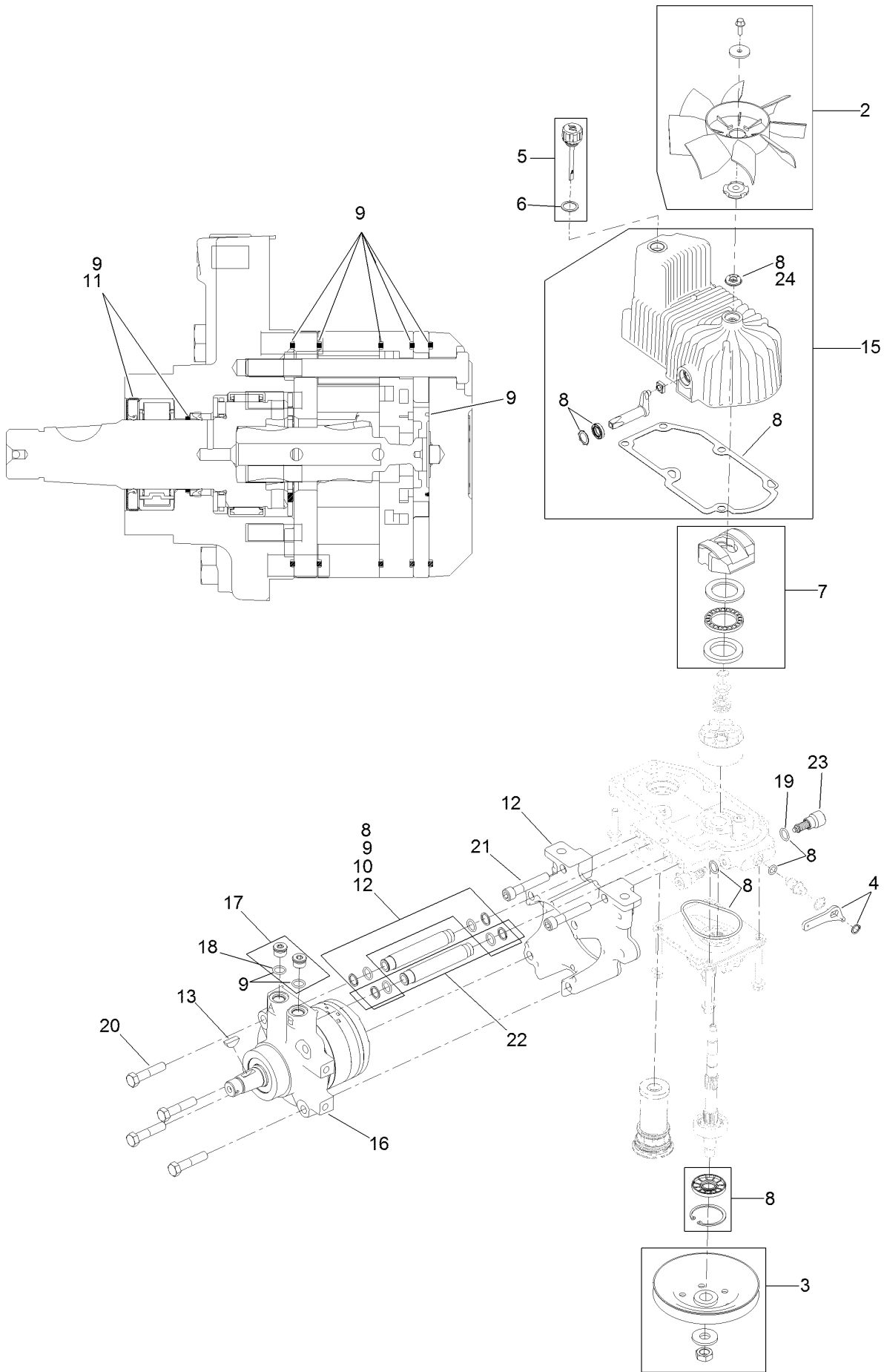
# Pump Idler Assembly No. 116-1255



## Pump Idler Assembly No. 116-1255 (continued)

| <i>Ref.</i> | <i>Part Number</i> | <i>Qty.</i> | <i>Description</i> | <i>Ref.</i> | <i>Part Number</i> | <i>Qty.</i> | <i>Description</i> |
|-------------|--------------------|-------------|--------------------|-------------|--------------------|-------------|--------------------|
| 2           | 43-0940            | 1           | Spacer             | 8           | 323-8              | 1           | Screw-HH           |
| 3           | 103-3504           | 2           | Bearing-Spherical  | 9           | 32120-10           | 2           | Ring-Snap          |
| 4           | 103-3505           | 1           | Seal-Double Lip    | 10          | 302-19             | 1           | Fitting-Grease     |
| 5           | 103-3506           | 1           | Seal-Lip, Single   | 11          | 109-8076           | 1           | Pulley-Idler       |
| 6           | 109-6658           | 1           | Nut-Flange, NI     | 12          | 132-4724           | 1           | Pin-Anchor, Spring |
| 7           | 106-7159           | 2           | O-Ring             |             |                    |             |                    |

# LH Hydro Assembly No. 126-1325



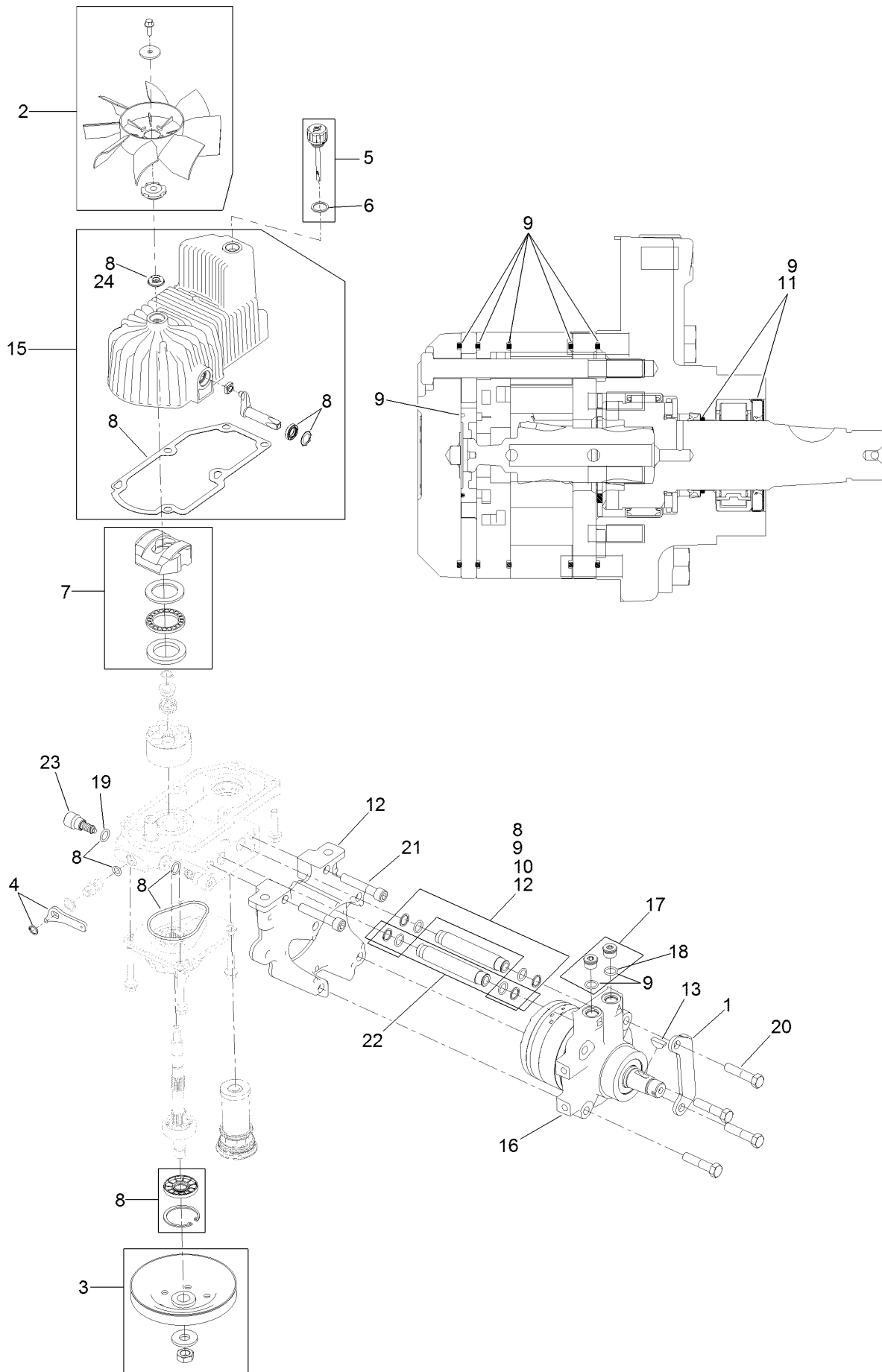


## LH Hydro Assembly No. 126-1325 (continued)

| <i>Ref.</i> | <i>Part Number</i> | <i>Qty.</i> | <i>Description</i>            | <i>Ref.</i> | <i>Part Number</i> | <i>Qty.</i> | <i>Description</i>         |
|-------------|--------------------|-------------|-------------------------------|-------------|--------------------|-------------|----------------------------|
| 2           | 116-0233           | 1           | Fan Kit                       | 15          | 116-3287           | 1           | Housing-LH                 |
| 3           | 116-0234           | 1           | Pulley Kit                    | 16          | 116-8917           | 1           | Motor-Hydraulic, LH 280Cc  |
| 4           | 116-0235           | 1           | Handle-Bypass Valve,<br>Hydro | 17          | 116-7901           | 1           | Magnetic Plugs Service Kit |
| 5           | 116-0236           | 1           | Dipstick-Hydro W/Gasket       | 18          | 76-1900            | 2           | O-Ring                     |
| 6           | 116-0237           | 1           | Gasket-Dipstick, Hydro        | 19          | 116-8662           | 2           | O-Ring-Check Valve         |
| 7           | 116-1367           | 1           | Swash Block Kit               | 20          | 116-8974           | 4           | Screw HH                   |
| 8           | 116-1368           | 1           | Pump Seal Kit                 | 21          | 116-8975           | 2           | Screw-HSH                  |
| 9           | 116-1369           | 1           | Motor Seal Kit                | 22          | 116-9922           | 2           | Hydraulic Tube Kit         |
| 10          | 116-1370           | 1           | Tube Seal Kit                 | 23          | 126-7467           | 2           | Shock Valve, 16Cc Hydro    |
| 11          | 116-1371           | 1           | Output Shaft Seal Kit         | 24          | 126-7711           | 1           | Seal-Fan Drive             |
| 12          | 116-5469           | 1           | Nose Cup-Uht                  | 99          | 116-1373           | 1           | Flow Test Kit ●            |
| 13          | 3257-42            | 1           | Key-Woodruff                  | 99          | 116-4245           | 1           | Puller-Pulley              |

● Not illustrated

# RH Hydro Assembly No. 126-1326

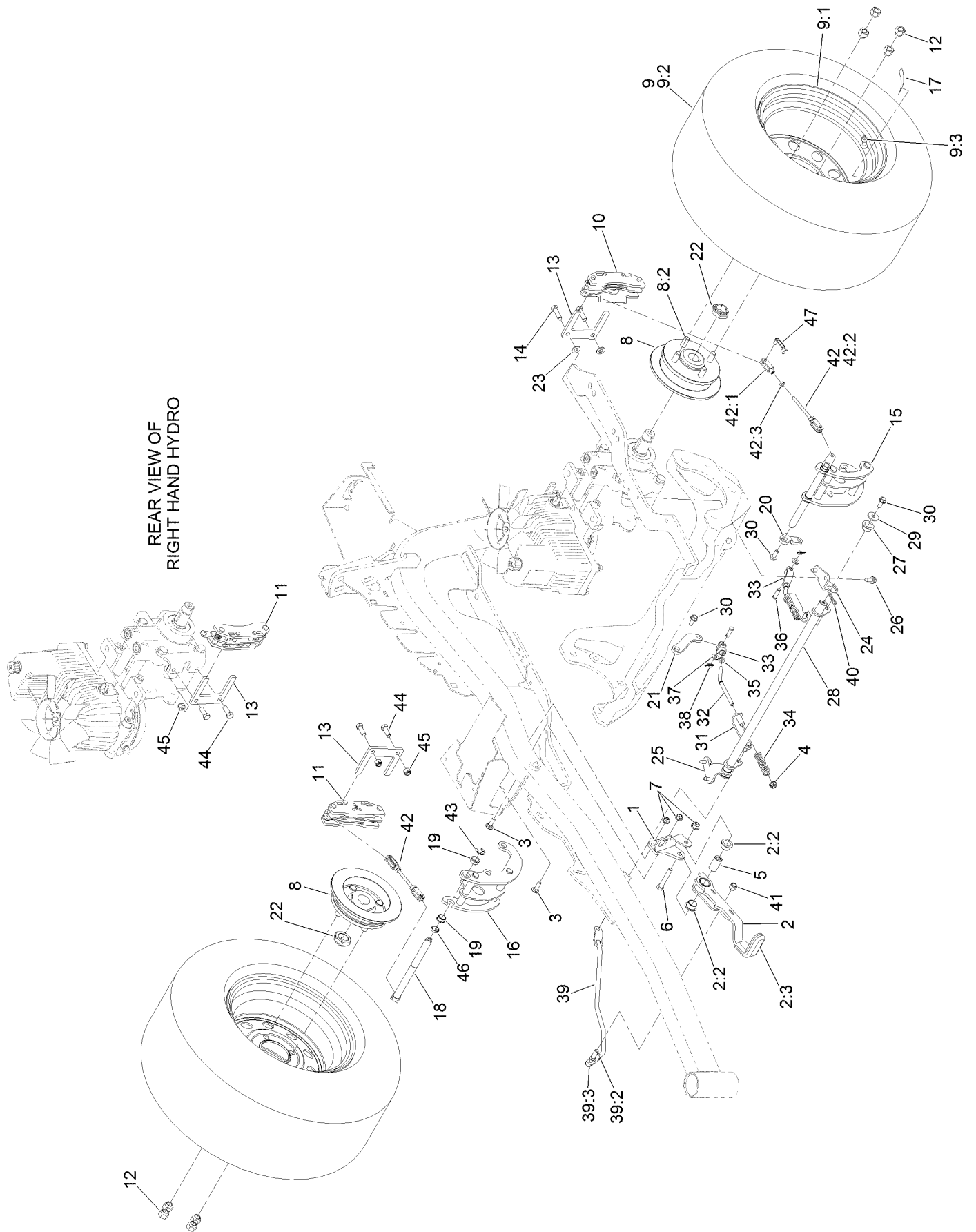


## RH Hydro Assembly No. 126-1326 (continued)

| <i>Ref.</i> | <i>Part Number</i> | <i>Qty.</i> | <i>Description</i>            | <i>Ref.</i> | <i>Part Number</i> | <i>Qty.</i> | <i>Description</i>         |
|-------------|--------------------|-------------|-------------------------------|-------------|--------------------|-------------|----------------------------|
| 1           | 116-9063           | 1           | Mount-Shoe, Horse             | 13          | 3257-42            | 1           | Key-Woodruff               |
| 2           | 116-0233           | 1           | Fan Kit                       | 15          | 116-3288           | 1           | Housing-RH                 |
| 3           | 116-0234           | 1           | Pulley Kit                    | 16          | 116-8918           | 1           | Motor-Hydraulic, RH 280Cc  |
| 4           | 116-0235           | 1           | Handle-Bypass Valve,<br>Hydro | 17          | 116-7901           | 1           | Magnetic Plugs Service Kit |
| 5           | 116-0236           | 1           | Dipstick-Hydro W/Gasket       | 18          | 76-1900            | 2           | O-Ring                     |
| 6           | 116-0237           | 1           | Gasket-Dipstick, Hydro        | 19          | 116-8662           | 2           | O-Ring-Check Valve         |
| 7           | 116-1367           | 1           | Swash Block Kit               | 20          | 116-8974           | 4           | Screw HH                   |
| 8           | 116-1368           | 1           | Pump Seal Kit                 | 21          | 116-8975           | 2           | Screw-HSH                  |
| 9           | 116-1369           | 1           | Motor Seal Kit                | 22          | 116-9922           | 2           | Hydraulic Tube Kit         |
| 10          | 116-1370           | 1           | Tube Seal Kit                 | 23          | 126-7467           | 2           | Shock Valve, 16Cc Hydro    |
| 11          | 116-1371           | 1           | Output Shaft Seal Kit         | 24          | 126-7711           | 1           | Seal-Fan Drive             |
| 12          | 116-5469           | 1           | Nose Cup-Uht                  | 99          | 116-1373           | 1           | Flow Test Kit ●            |
|             |                    |             |                               | 99          | 116-4245           | 1           | Puller-Pulley              |

● Not illustrated

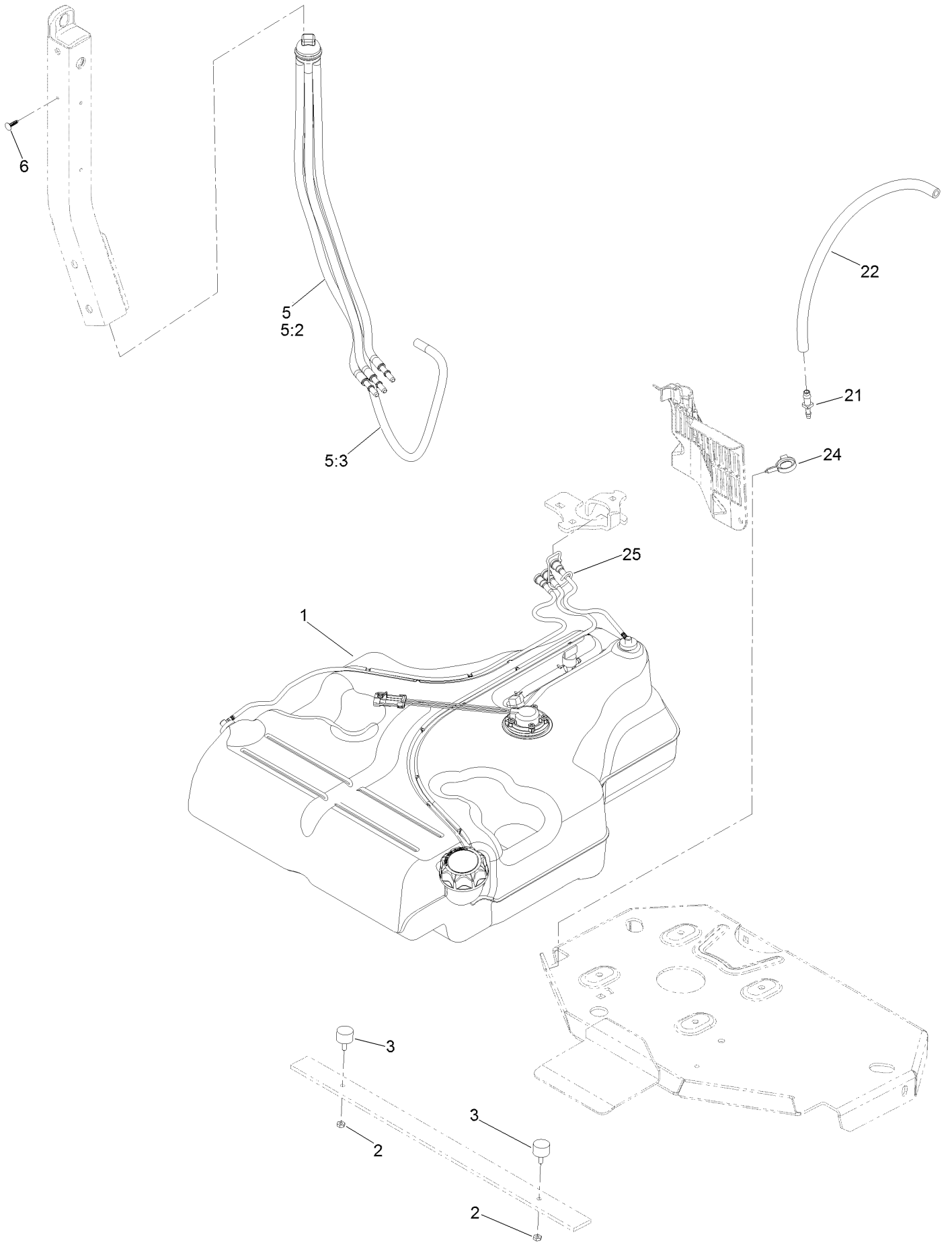
# Parking Brake and Wheel Assembly



## Parking Brake and Wheel Assembly (continued)

| <i>Ref.</i> | <i>Part Number</i> | <i>Qty.</i> | <i>Description</i>             | <i>Ref.</i> | <i>Part Number</i> | <i>Qty.</i> | <i>Description</i>  |
|-------------|--------------------|-------------|--------------------------------|-------------|--------------------|-------------|---------------------|
| 1           | 116-9096-01        | 1           | Bracket-Mount                  | 24          | 116-9681           | 1           | Mount-Pivot, LH     |
| 2           | 126-0970           | 1           | Brake Lever ASM                | 25          | 116-9682           | 1           | Mount-Pivot, RH     |
| 2:2         | 109-8054           | 2           | Bushing-Flange                 | 26          | 32144-70           | 4           | Screw-HWHTF         |
| 2:3         | 1-633268           | 1           | Grip-Lever                     | 27          | 109-8054           | 2           | Bushing-Flange      |
| 3           | 3230-2             | 2           | Bolt-CARR                      | 28          | 116-9080           | 1           | Shaft-Cross         |
| 4           | 104-8300           | 4           | Nut-Flange, NI                 | 29          | 115-7109           | 2           | Washer-Flat         |
| 5           | 116-9117           | 1           | Handle-Pivot, Brake            | 30          | 98-9940            | 4           | Screw               |
| 6           | 323-11             | 1           | Screw-HH                       | 31          | 116-9609           | 2           | Bracket-L           |
| 7           | 104-8301           | 1           | Nut-Flange, NI                 | 32          | 116-9086           | 2           | Linkage-Mid         |
| 8           | 116-1746           | 2           | Wheel Hub ASM                  | 33          | 126-3693           | 2           | Yoke-Offset         |
| 8:2         | 116-1696           | 4           | Stud-Wheel                     | 34          | 116-9085           | 2           | Spring-Compression  |
| 9           | 115-3588           | 2           | Wheel And Tire ASM             | 35          | 3220-2             | 2           | Nut-Jam             |
| 9:1         | 109-2871           | 1           | Rim                            | 36          | 1-808280           | 2           | Pin-Clevis          |
| 9:2         | 1-633993           | 1           | Tire                           | 37          | 3256-23            | 4           | Washer-Flat         |
| 9:3         | 232-27             | 1           | Stem-Valve                     | 38          | 116-6639           | 2           | Pin-Cotter, Locking |
| 10          | 109-2889           | 1           | Caliper-Brake                  | 39          | 116-9102           | 1           | Front Linkage ASM   |
| 11          | 116-9103           | 1           | Caliper-Brake, RH              | 39:2        | 94-7572            | 1           | End-Tie Rod, RH     |
| 12          | 242-50             | 8           | Nut-Lug                        | 39:3        | 3220-3             | 1           | Nut-HJ              |
| 13          | 109-0958           | 2           | Plate-Mount, Brake             | 40          | 119-1415           | 2           | Pin-Cotter, Locking |
| 14          | 92-5727            | 2           | Screw-Lock, Patch              | 41          | 3296-6             | 1           | Nut-Lock            |
| 15          | 126-4248           | 1           | Mount-Bellcrank, LH            | 42          | 126-7587           | 2           | Rear Linkage ASM    |
| 16          | 126-4249           | 1           | Mount-Bellcrank, RH            | 42:1        | 126-7588           | 2           | Yoke                |
| 17          | 126-2055           | 2           | Decal-Torque, Wheel Hub<br>Lug | 42:2        | 116-9069           | 1           | Linkage, Rear       |
| 18          | 126-4251           | 2           | Bellcrank                      | 42:3        | 3220-1             | 1           | Nut-Jam             |
| 19          | 126-6199           | 4           | Bushing-Igus                   | 43          | 32120-19           | 2           | E-Ring              |
| 20          | 126-3715           | 1           | Arm-Inner, LH                  | 44          | 323-6              | 2           | Screw-HH            |
| 21          | 126-3716           | 1           | Arm-Inner, RH                  | 45          | 3296-39            | 2           | Nut-Lock, NI        |
| 22          | 116-1399           | 2           | Locknut                        | 46          | 126-6200           | 2           | Spacer              |
| 23          | 3256-24            | 2           | Washer-Flat                    | 47          | 126-6395           | 4           | Pin-Clevis, Spring  |

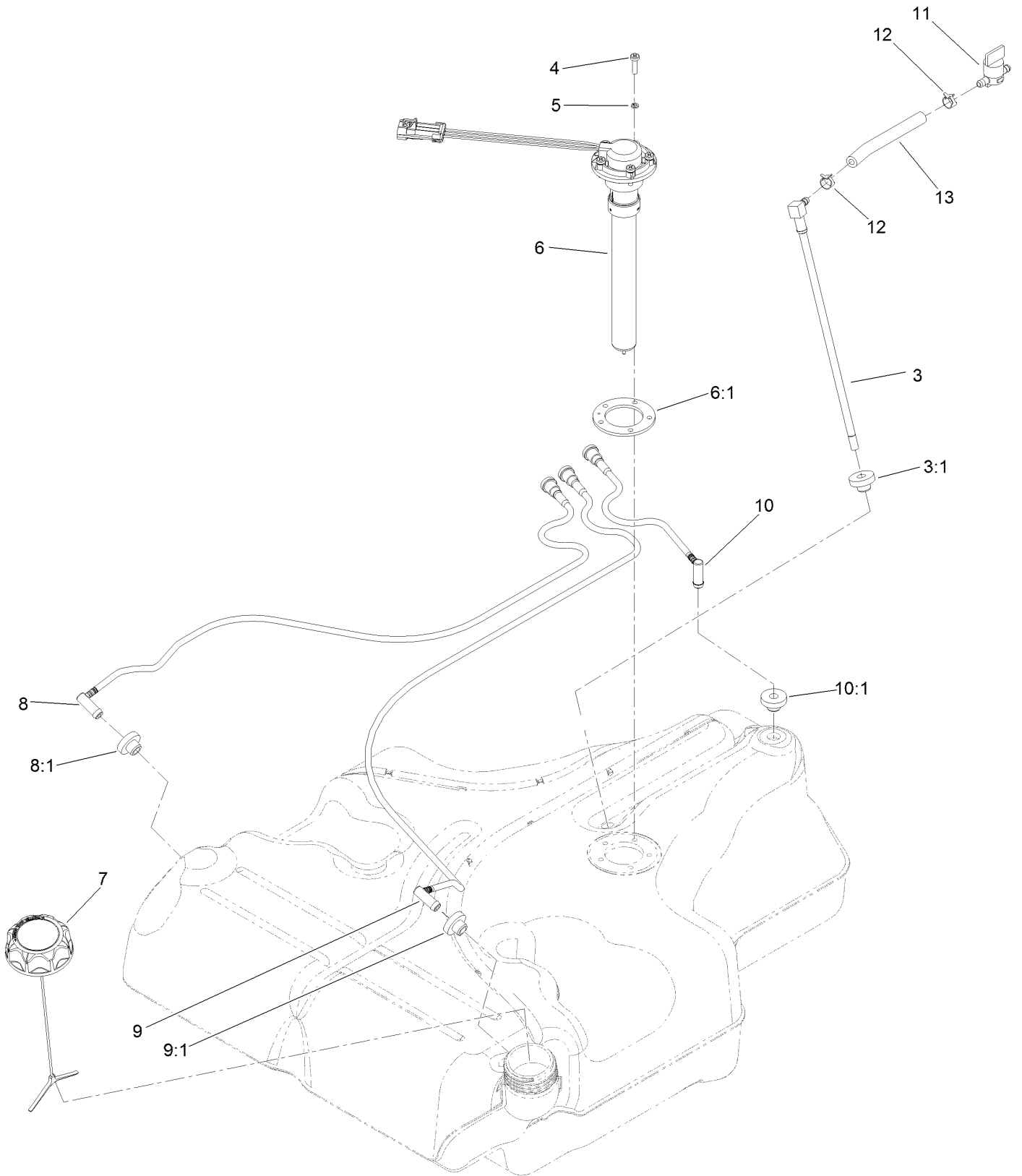
# Fuel Assembly



## Fuel Assembly (continued)

| <i>Ref.</i> | <i>Part Number</i> | <i>Qty.</i> | <i>Description</i>      | <i>Ref.</i> | <i>Part Number</i> | <i>Qty.</i> | <i>Description</i>   |
|-------------|--------------------|-------------|-------------------------|-------------|--------------------|-------------|----------------------|
| 1           | 135-0643           | 1           | Fuel Tank ASM           | 6           | 125-8067           | 1           | Plug-Plastic         |
| 2           | 3218-1             | 2           | Nut-Jam                 | 21          | 116-5072           | 1           | Fitting-Straight     |
| 3           | 116-6380           | 2           | Bumper-Rubber (W/ Stud) | 22          | 116-5087           | 1           | Hose-Fuel            |
| 5           | 127-0583           | 1           | Fuel Manifold Vent ASM  | 24          | 105-1853           | 1           | Clamp-Hose           |
| 5:2         | 109-0302           | 3           | Hose-Fuel               | 25          | 116-6005           | 1           | Retainer-Line, Vapor |
| 5:3         | 108-5376           | 1           | Hose-Fuel               |             |                    |             |                      |

# Fuel Tank Assembly No. 135-0643

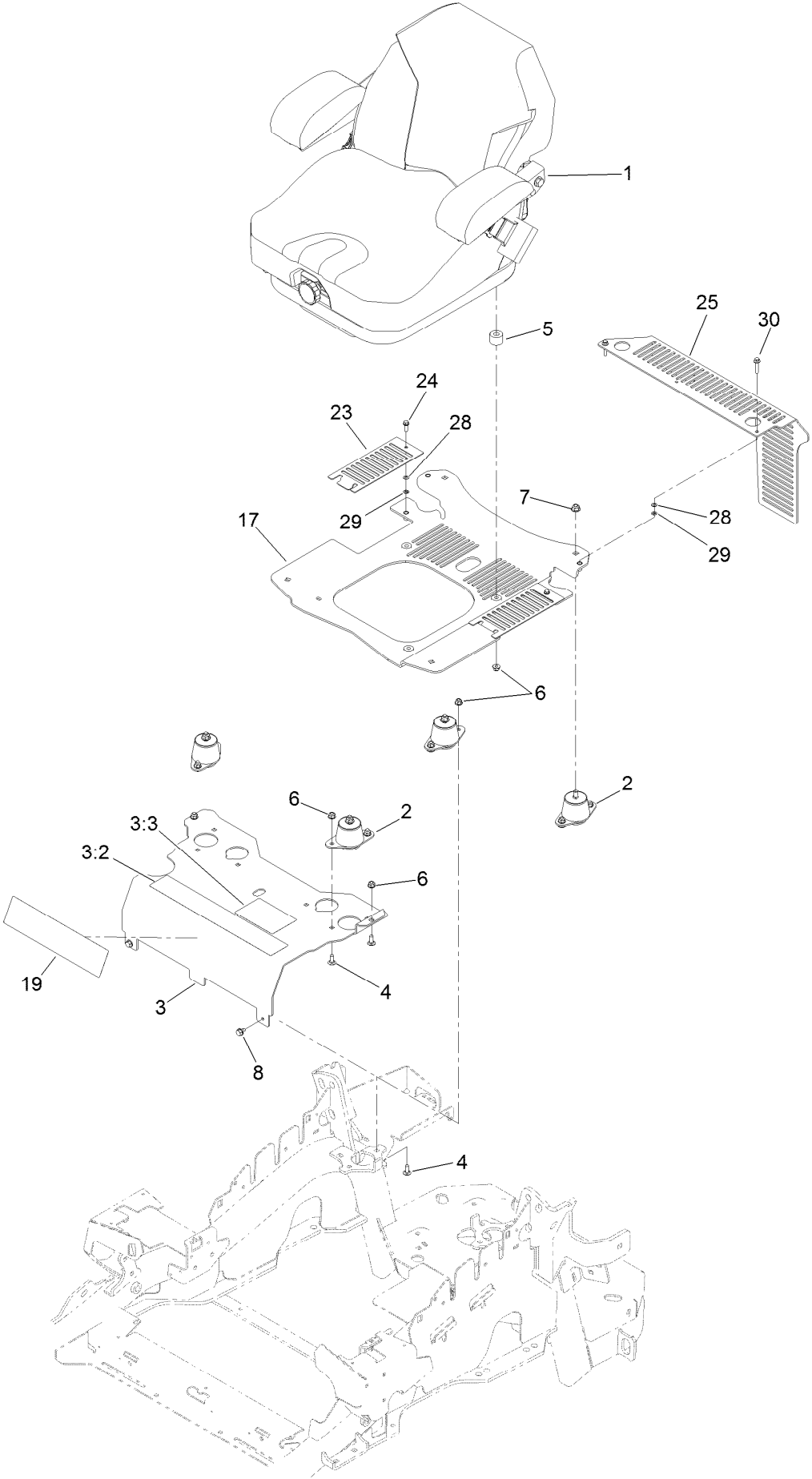




## Fuel Tank Assembly No. 135-0643 (continued)

| <i>Ref.</i> | <i>Part Number</i> | <i>Qty.</i> | <i>Description</i>              | <i>Ref.</i> | <i>Part Number</i> | <i>Qty.</i> | <i>Description</i>                |
|-------------|--------------------|-------------|---------------------------------|-------------|--------------------|-------------|-----------------------------------|
| 3           | 116-2459           | 1           | Fuel Line Kit (With Grommet)    | 8:1         | 46-6560            | 1           | Bushing                           |
| 3:1         | 46-6560            | 1           | Bushing                         | 9           | 116-2461           | 1           | LH Vent Line Kit (With Grommet)   |
| 4           | 3290-500           | 5           | Screw-PPH                       | 9:1         | 46-6560            | 1           | Bushing                           |
| 5           | 3253-17            | 5           | Washer-Lock                     | 10          | 116-2462           | 1           | Rear Vent Line Kit (With Grommet) |
| 6           | 126-3913           | 1           | Float-Sender, Fuel              | 10:1        | 46-6560            | 1           | Bushing                           |
| 6:1         | 126-3950           | 1           | Gasket-Sender                   | 11          | 1-603770           | 1           | Valve-Fuel                        |
| 7           | 126-1789           | 1           | Cap-Fuel, Ratcheting            | 12          | 2412-98            | 2           | Clamp-Hose                        |
| 8           | 116-2460           | 1           | RH Vent Line Kit (With Grommet) | 13          | 109-0650           | 1           | Hose-Fuel                         |

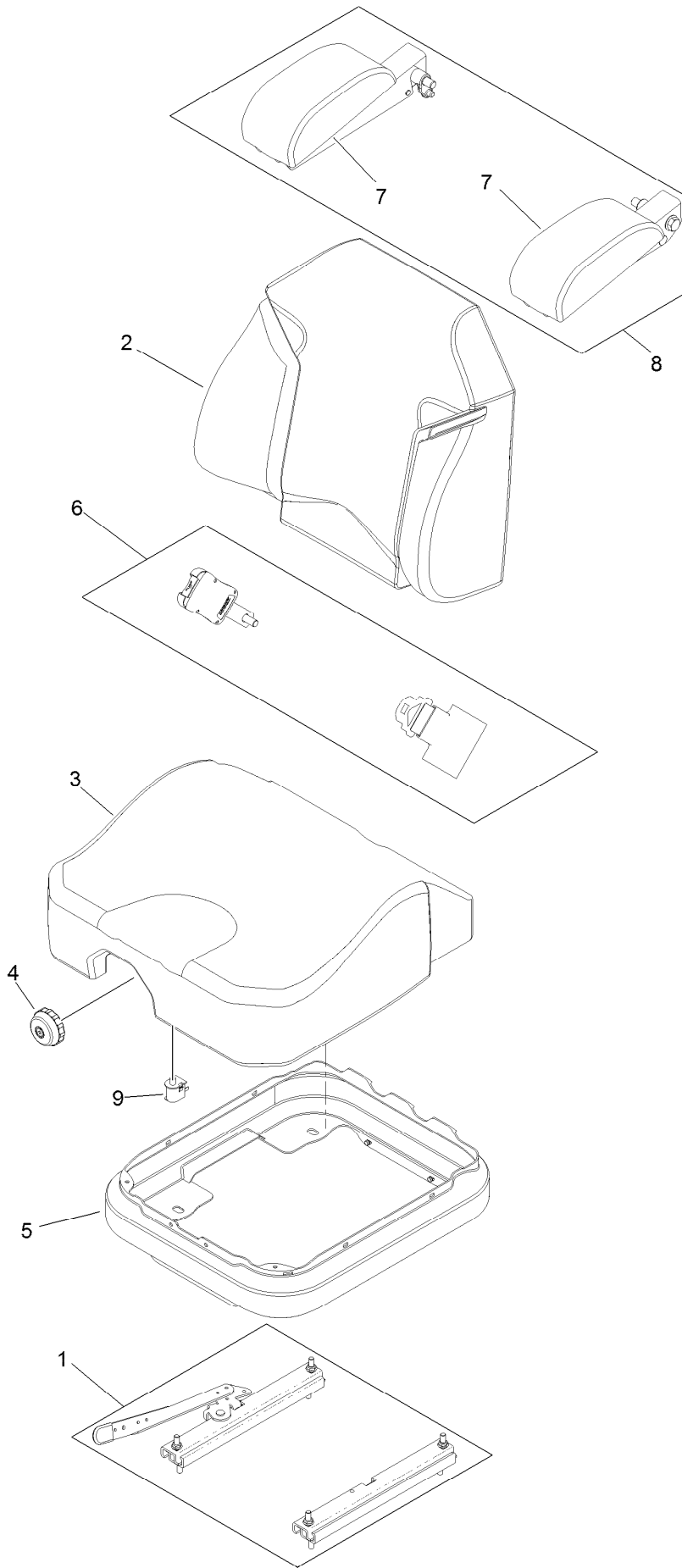
# Seat Mounting Assembly



## Seat Mounting Assembly (continued)

| <i>Ref.</i> | <i>Part Number</i> | <i>Qty.</i> | <i>Description</i>  | <i>Ref.</i> | <i>Part Number</i> | <i>Qty.</i> | <i>Description</i> |
|-------------|--------------------|-------------|---------------------|-------------|--------------------|-------------|--------------------|
| 1           | 125-3107           | 1           | Suspension Seat ASM | 8           | 9266934            | 2           | Screw              |
| 2           | 109-9034           | 4           | Isolator-Seat       | 17          | 117-0910           | 1           | Seat Base ASM      |
| 3           | 116-2324           | 1           | Mount-Seat          | 19          | 119-2507           | 1           | Decal              |
| 3:2         | 114-4468           | 1           | Decal-Console       | 23          | 117-0901-03        | 2           | Cover              |
| 3:3         | 125-9383           | 1           | Decal-Service Aid   | 24          | 32105-15           | 2           | Screw-HWH          |
| 4           | 3230-23            | 11          | Screw-CARR          | 25          | 114-1548-03        | 1           | Guard              |
| 5           | 116-9329           | 4           | Spacer              | 28          | 3256-60            | 4           | Washer-Flat        |
| 6           | 104-8300           | 18          | Nut-Flange, NI      | 29          | 106-8737           | 4           | Nut-Retainer       |
| 7           | 104-8301           | 4           | Nut-Flange, NI      | 30          | 3234-21            | 2           | Screw-HHF          |

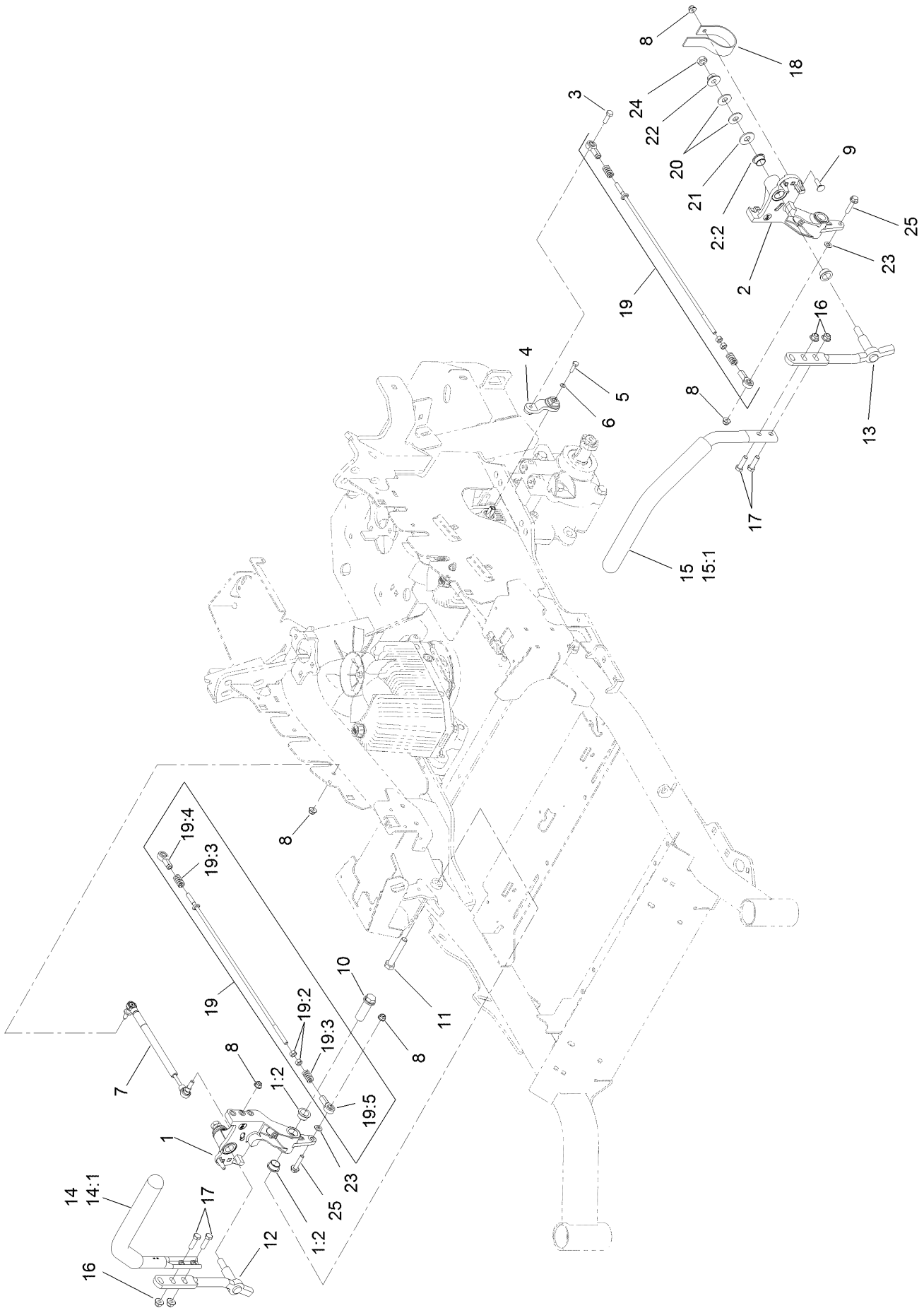
# Seat Assembly No. 125-3107



## Seat Assembly No. 125-3107 (continued)

| <i>Ref.</i> | <i>Part Number</i> | <i>Qty.</i> | <i>Description</i>       | <i>Ref.</i> | <i>Part Number</i> | <i>Qty.</i> | <i>Description</i>    |
|-------------|--------------------|-------------|--------------------------|-------------|--------------------|-------------|-----------------------|
| 1           | 116-8910           | 1           | Seat Track Set           | 6           | 126-2061           | 1           | Seat Belt Service Kit |
| 2           | 125-3112           | 1           | Cover-Back               | 7           | 109-9802           | 1           | Arm Rest Pad Set      |
| 3           | 125-3111           | 1           | Cover-Cushion            | 8           | 109-9803           | 1           | Arm Rest Set          |
| 4           | 116-8911           | 1           | Knob-Adjuster            | 9           | 82-2190            | 1           | Switch-Bail           |
| 5           | 116-5659           | 1           | Cover-Suspension Bellows |             |                    |             |                       |

# Motion Control Assembly

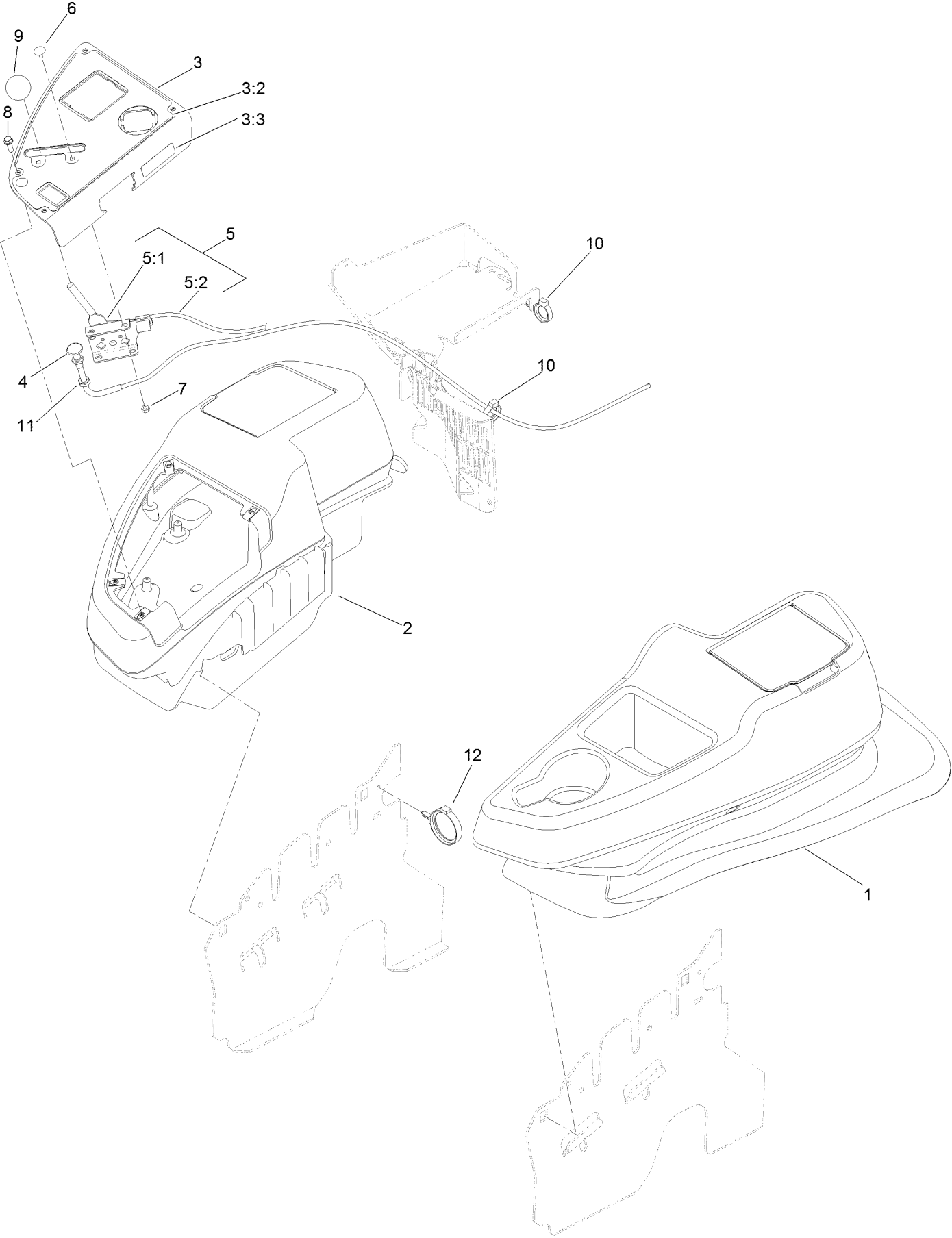


## Motion Control Assembly (continued)

| <i>Ref.</i> | <i>Part Number</i> | <i>Qty.</i> | <i>Description</i>                | <i>Ref.</i> | <i>Part Number</i> | <i>Qty.</i> | <i>Description</i>     |
|-------------|--------------------|-------------|-----------------------------------|-------------|--------------------|-------------|------------------------|
| 1           | 116-0880           | 1           | RH Motion Control And Bushing ASM | 14          | 109-6589           | 1           | RH Steering Handle ASM |
| 1:2         | 109-8054           | 4           | Bushing-Flange                    | 14:1        | 109-5668           | 1           | Grip-Control, Lever    |
| 2           | 116-0881           | 1           | LH Motion Control And Bushing ASM | 15          | 109-6590           | 1           | LH Steering Handle ASM |
| 2:2         | 109-8054           | 4           | Bushing-Flange                    | 15:1        | 109-5668           | 1           | Grip-Control, Lever    |
| 3           | 116-0648           | 2           | Screw-HH, Thread Locking ●        | 16          | 104-8301           | 4           | Nut-Flange, NI         |
| 4           | 109-4581           | 2           | Arm-Control, Pump                 | 17          | 323-7              | 4           | Screw-HH               |
| 5           | 9080046            | 2           | Screw-HH ●                        | 18          | 109-5575           | 2           | Spring-Leaf            |
| 6           | 1-303435           | 2           | Washer-Spring                     | 19          | 109-8106           | 2           | Front Pump Linkage ASM |
| 7           | 116-0027           | 2           | Damper-Control, Motion            | 19:2        | 3219-2             | 2           | Nut-Hex                |
| 8           | 104-8300           | 8           | Nut-Flange, NI                    | 19:3        | 1-323245           | 2           | Spring-Compression     |
| 9           | 3230-2             | 2           | Bolt-CARR                         | 19:4        | 1-633152           | 1           | Balljoint-LH           |
| 10          | 109-5891           | 2           | Hub-Threaded                      | 19:5        | 1-543017           | 1           | Balljoint-RH           |
| 11          | 325-12             | 2           | Screw-HH                          | 20          | 109-9505           | 4           | Washer-Spring          |
| 12          | 116-0039           | 1           | Lever-Control Motion, RH          | 21          | 3256-6             | 2           | Washer-Flat            |
| 13          | 116-0040           | 1           | Lever-Control Motion, LH          | 22          | 32128-56           | 2           | Nut-HF                 |
|             |                    |             |                                   | 23          | 3256-23            | 2           | Washer-Flat            |
|             |                    |             |                                   | 24          | 3218-5             | 2           | Nut-Jam                |
|             |                    |             |                                   | 25          | 115-1794           | 2           | Screw-HHF              |

● Use Pro-Lock, Nut Type (P/N 1-840022, .5ml tube) on threads.

# Fender, Console and Control Assembly

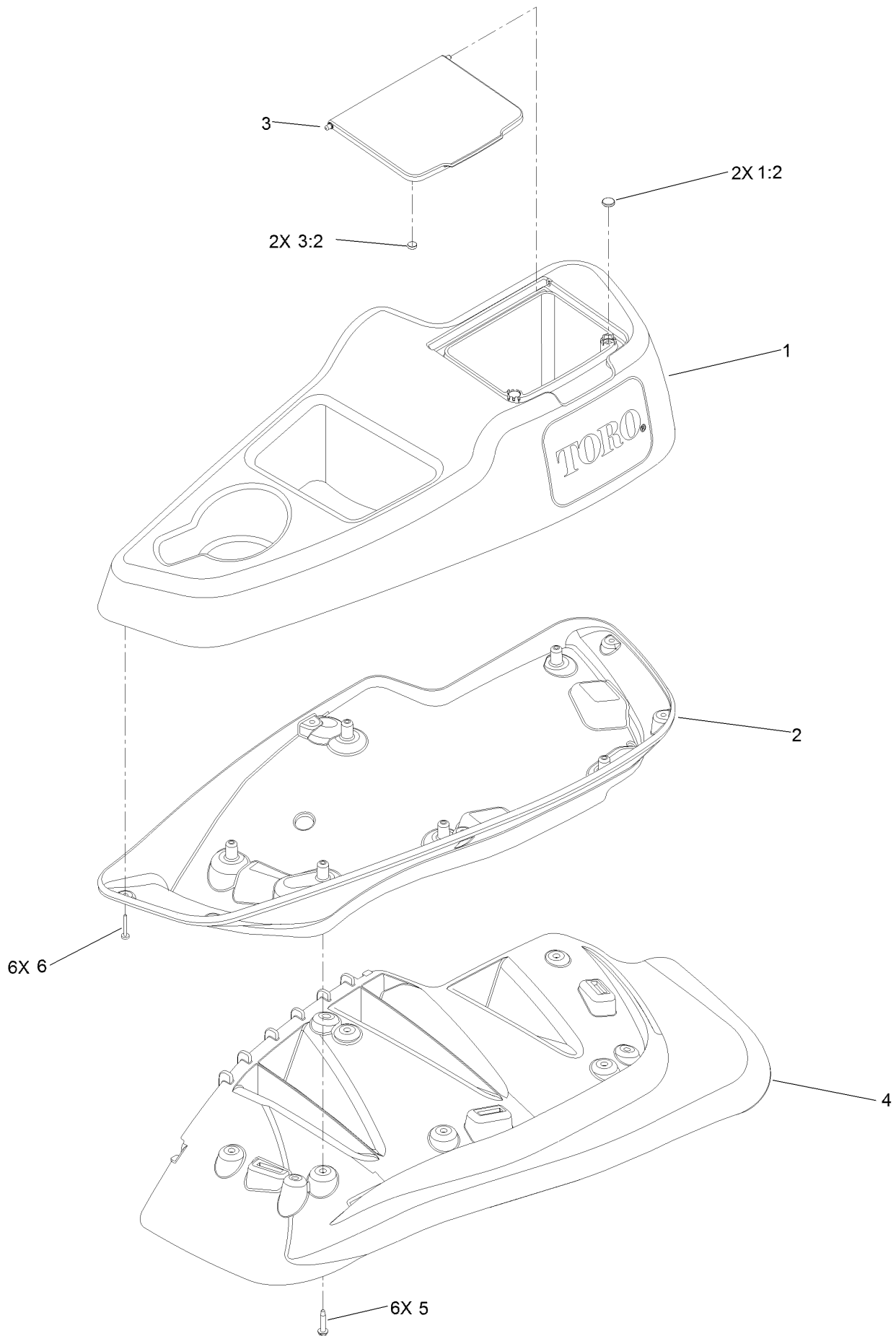




## Fender, Console and Control Assembly (continued)

| <i>Ref.</i> | <i>Part Number</i> | <i>Qty.</i> | <i>Description</i>   | <i>Ref.</i> | <i>Part Number</i> | <i>Qty.</i> | <i>Description</i> |
|-------------|--------------------|-------------|----------------------|-------------|--------------------|-------------|--------------------|
| 1           | 115-7401           | 1           | LH Console ASM       | 5:2         | 110-5728           | 1           | Cable-Throttle     |
| 2           | 115-7400           | 1           | RH Console ASM       | 6           | 1-807513           | 2           | Bolt-CARR          |
| 3           | 114-9836           | 1           | Control Panel ASM    | 7           | 3296-2             | 2           | Nut-Lock, NI       |
| 3:2         | 120-5897           | 1           | Decal-Panel, Control | 8           | 32105-15           | 4           | Screw-HWH          |
| 3:3         | 114-4466           | 1           | Decal-Fuses          | 9           | 1-603175           | 1           | Knob-Ball          |
| 4           | 115-2753           | 1           | Control-Choke        | 10          | 105-1853           | 1           | Clamp-Hose         |
| 5           | 110-5727           | 1           | Throttle Control ASM | 11          | 3220-3             | 1           | Nut-HJ             |
| 5:1         | 112-2334           | 1           | Lever-Throttle       | 12          | 117-7817           | 1           | Clamp-Harness      |

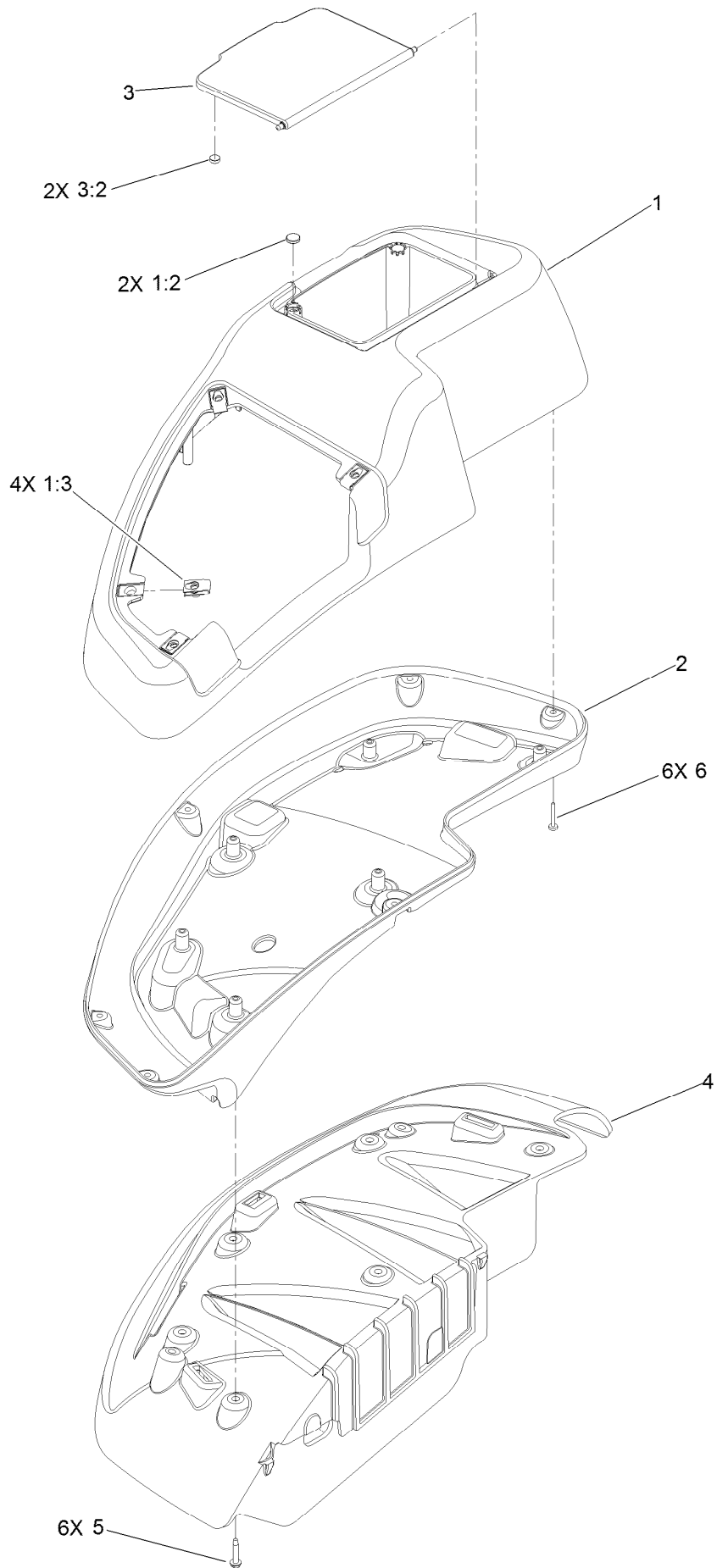
# LH Console Assembly No. 115-7401



# LH Console Assembly No. 115-7401 (continued)

| <i>Ref.</i> | <i>Part Number</i> | <i>Qty.</i> | <i>Description</i>      | <i>Ref.</i> | <i>Part Number</i> | <i>Qty.</i> | <i>Description</i>   |
|-------------|--------------------|-------------|-------------------------|-------------|--------------------|-------------|----------------------|
| 1           | 114-1539           | 1           | LH Wide Console Top ASM | 3:2         | 114-5896           | 2           | Magnet               |
| 1:2         | 117-0883           | 2           | Puck                    | 4           | 109-9085           | 1           | Fender-Wide, LH      |
| 2           | 115-3641           | 1           | Console-Lower, LH Wide  | 5           | 32144-89           | 6           | Screw-Thread Forming |
| 3           | 114-1537           | 1           | Wide Lid ASM            | 6           | 117-0347           | 6           | Screw-PPH            |

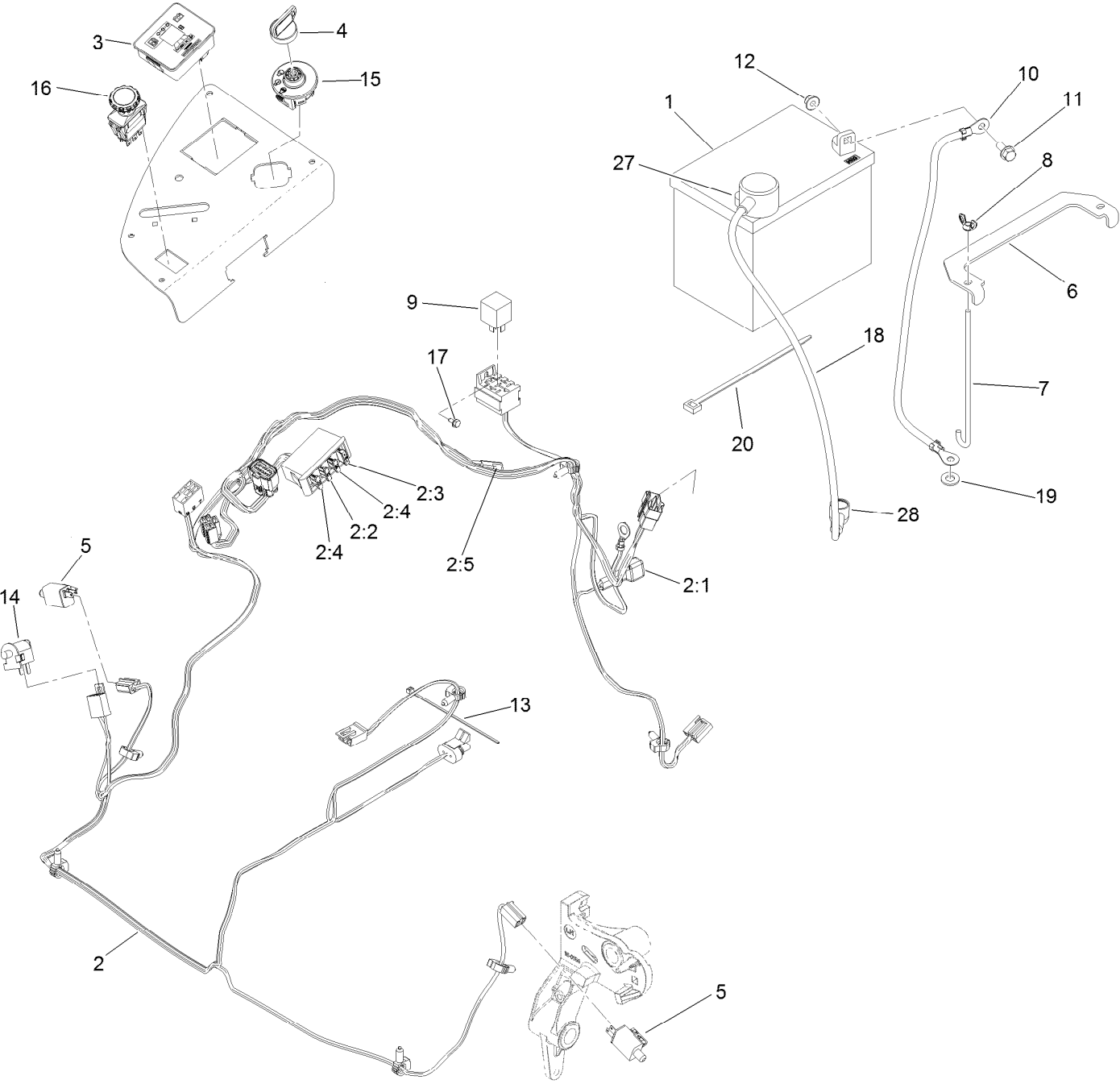
# RH Console Assembly No. 115-7400



## RH Console Assembly No. 115-7400 (continued)

| <i>Ref.</i> | <i>Part Number</i> | <i>Qty.</i> | <i>Description</i>      | <i>Ref.</i> | <i>Part Number</i> | <i>Qty.</i> | <i>Description</i>   |
|-------------|--------------------|-------------|-------------------------|-------------|--------------------|-------------|----------------------|
| 1           | 114-1538           | 1           | RH Wide Top Console ASM | 3:2         | 114-5896           | 2           | Magnet               |
| 1:2         | 117-0883           | 2           | Puck                    | 4           | 109-9083           | 1           | Fender-Wide, RH      |
| 1:3         | 107069             | 4           | Clip                    | 5           | 32144-89           | 6           | Screw-Thread Forming |
| 2           | 115-3643           | 1           | Console-Lower, RH Wide  | 6           | 117-0347           | 6           | Screw-PPH            |
| 3           | 114-1537           | 1           | Wide Lid ASM            |             |                    |             |                      |

# Electrical System Assembly

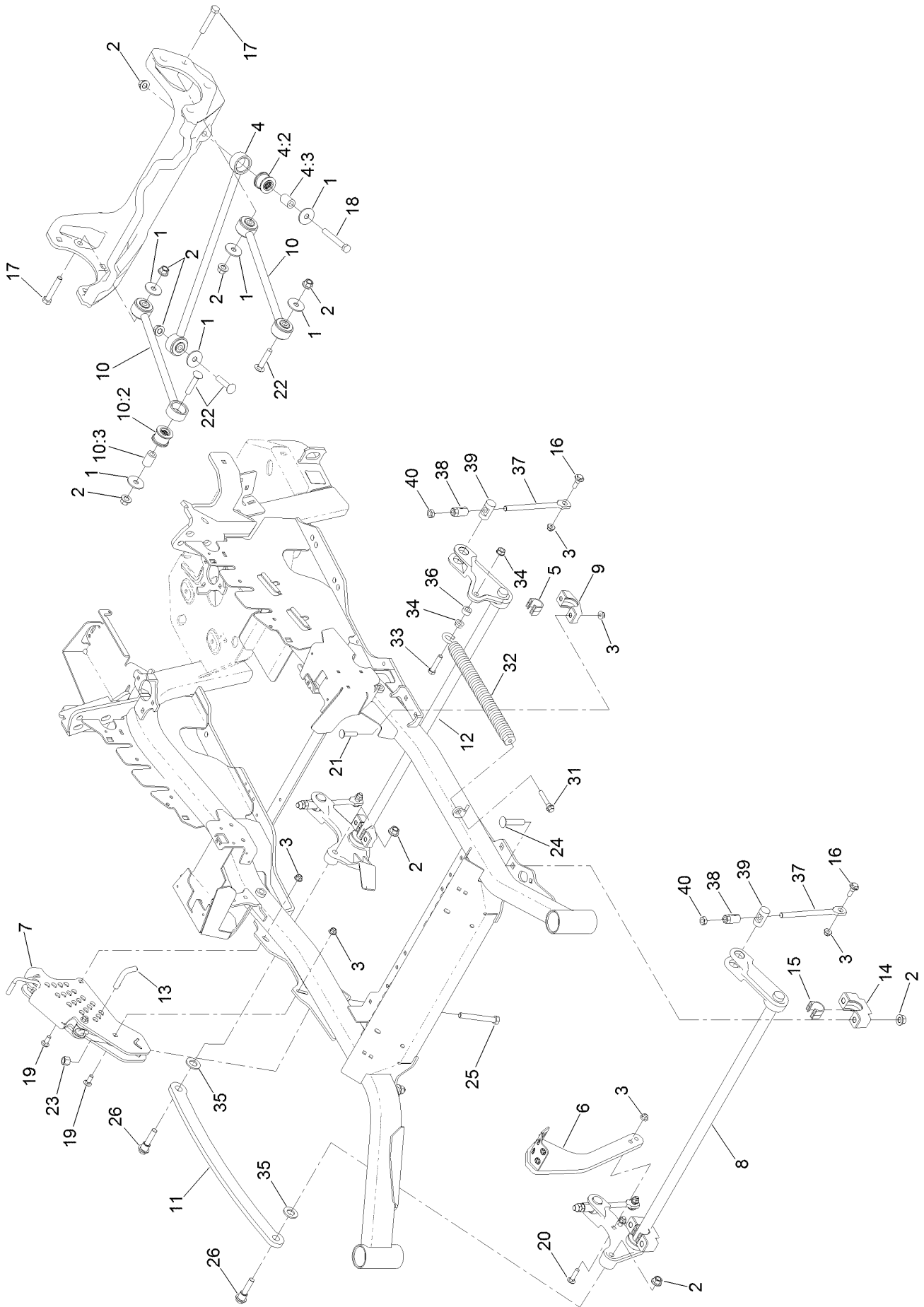


## Electrical System Assembly (continued)

| <i>Ref.</i> | <i>Part Number</i> | <i>Qty.</i> | <i>Description</i>      | <i>Ref.</i> | <i>Part Number</i> | <i>Qty.</i> | <i>Description</i>      |
|-------------|--------------------|-------------|-------------------------|-------------|--------------------|-------------|-------------------------|
| 1           | 104-8162           | 1           | Battery-Dry             | 10          | 114-1218           | 1           | Cable-Battery, Negative |
| 2           | 116-6009           | 1           | Harness-Wire, Main ●    | 11          | 3234-5             | 2           | Screw-HHF               |
| 2:1         | 103-3895           | 1           | Diode                   | 12          | 104-8300           | 2           | Nut-Flange, NI          |
| 2:2         | 218-578            | 1           | Fuse-Blade, 10 Amp      | 13          | 1-303287           | 3           | Tie-Cable               |
| 2:3         | 109355             | 1           | Fuse-Blade, 15 Amp      | 14          | 82-2190            | 1           | Switch-Bail             |
| 2:4         | 109102             | 2           | Fuse-Blade, 25 Amp      | 15          | 117-2221           | 1           | Switch-Ignition         |
| 2:5         | 116-0053           | 1           | Cap-Plug                | 16          | 116-0124           | 1           | Switch-PTO, 10 Amp      |
| 3           | 117-3882           | 1           | Fuel/Hour Meter ASM     | 17          | 104-2065           | 1           | Screw-HWH               |
| 4           | 63-8360            | 1           | Key-Ignition            | 18          | 115-3864           | 1           | Cable-Battery, Positive |
| 5           | 110-6765           | 2           | Switch                  | 19          | 3256-24            | 1           | Washer-Flat             |
| 6           | 116-0042-03        | 1           | Strap-Tie Down, Battery | 20          | 1-303335           | 1           | Tie-Plastic             |
| 7           | 1-633651           | 2           | Bolt-Holddown           | 27          | 109-2407           | 1           | Insulator-Battery       |
| 8           | 1-543792           | 2           | Wingnut                 | 28          | 1-543393           | 1           | Insulator-Solenoid      |
| 9           | 1-643275           | 1           | Relay                   |             |                    |             |                         |

● Use dielectric grease on all unsealed connectors and terminals only. Do not apply in sealed connectors.

# Deck Lift Assembly

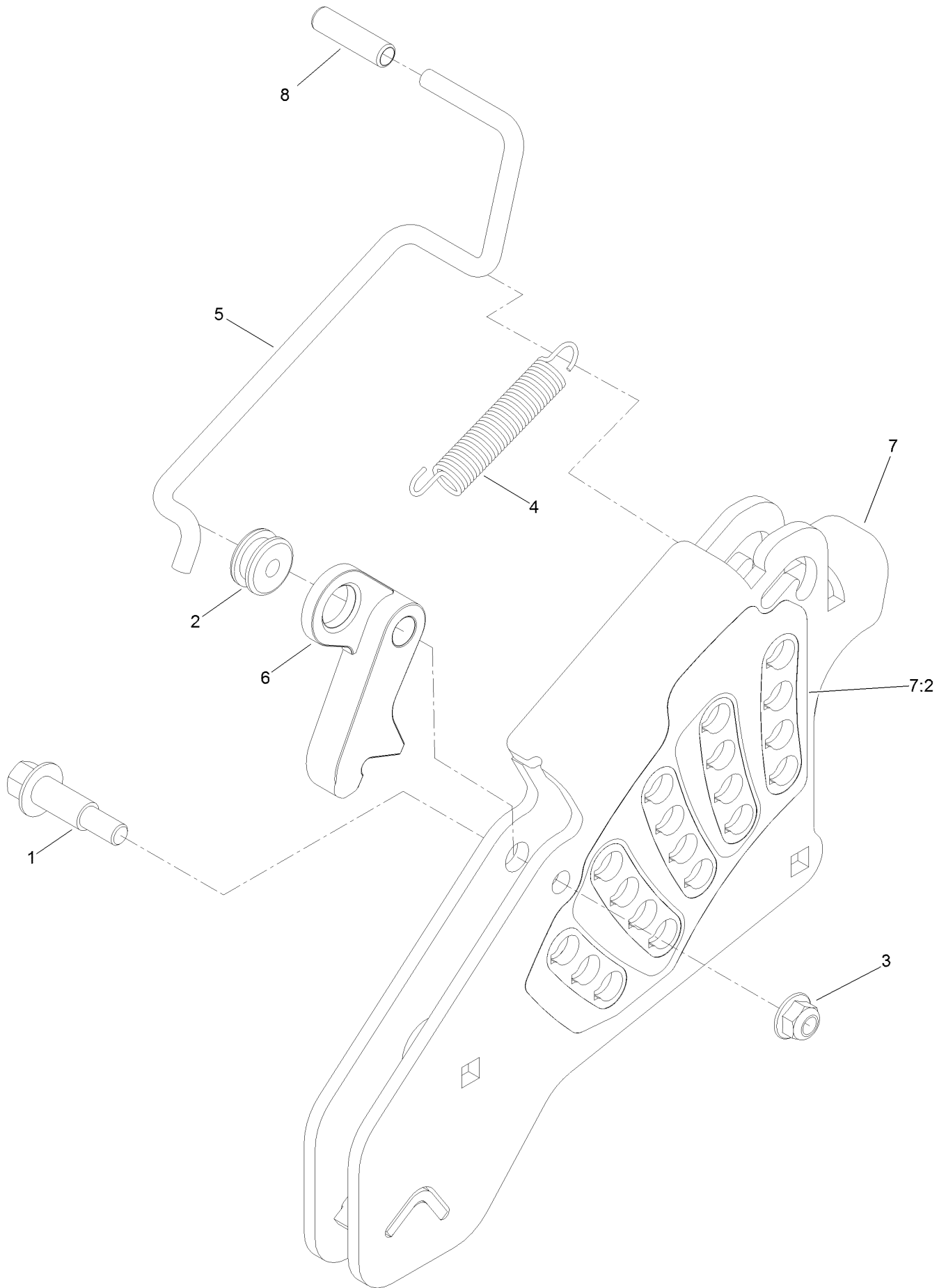




## Deck Lift Assembly (continued)

| <i>Ref.</i> | <i>Part Number</i> | <i>Qty.</i> | <i>Description</i>                   | <i>Ref.</i> | <i>Part Number</i> | <i>Qty.</i> | <i>Description</i>         |
|-------------|--------------------|-------------|--------------------------------------|-------------|--------------------|-------------|----------------------------|
| 1           | 86-1990            | 6           | Washer-Thrust                        | 15          | 109-9410           | 2           | Bearing-Cross Shaft, Front |
| 2           | 99-5107            | 12          | Nut-Lock                             | 16          | 109-9840           | 4           | Screw-Shoulder, HHF        |
| 3           | 104-8301           | 12          | Nut-Flange, NI                       | 17          | 325-12             | 2           | Screw-HH                   |
| 4           | 109-5013           | 1           | Panhard Rod ASM                      | 18          | 325-17             | 1           | Screw-HH                   |
| 4:2         | 109-5009           | 2           | Bushing-Suspension,<br>Rubber        | 19          | 3231-2             | 2           | Bolt-CARR                  |
| 4:3         | 109-5010           | 2           | Spacer                               | 20          | 3231-4             | 2           | Screw-CARR                 |
| 5           | 109-7173           | 2           | Bearing-Cross Shaft, Rear            | 21          | 3231-7             | 4           | Screw-CARR                 |
| 6           | 116-1919-01        | 1           | Lever-Foot                           | 22          | 3233-34            | 3           | Screw-CARR                 |
| 7           | 117-3842           | 1           | Height-Of-Cut ASM                    | 23          | 3296-23            | 1           | Nut-Lock, NI               |
| 8           | 126-2477-03        | 1           | Decklift-Front                       | 24          | 116-1700           | 4           | Bolt-CARR                  |
| 9           | 127-0553           | 2           | Support-Cross Shaft,<br>Bearing Rear | 25          | 116-0559           | 1           | Bolt-TAP                   |
| 10          | 109-7952           | 2           | Deck Strut ASM                       | 26          | 116-2022           | 2           | Screw-HHF, Shoulder        |
| 10:2        | 109-5009           | 2           | Bushing-Suspension,<br>Rubber        | 31          | 92-7674            | 1           | Bolt-Shoulder              |
| 10:3        | 109-5010           | 2           | Spacer                               | 32          | 116-0000           | 1           | Spring-Extension           |
| 11          | 116-0797-03        | 1           | Link-Lift, Deck                      | 33          | 109-9065           | 1           | Screw-HH                   |
| 12          | 116-2645-03        | 1           | Lift-Deck, Rear                      | 34          | 32128-37           | 2           | Nut-HF                     |
| 13          | 116-5584           | 1           | Pin-HOC                              | 35          | 3256-28            | 2           | Washer-Flat                |
| 14          | 109-9409           | 2           | Support-Cross Shaft,<br>Bearing      | 36          | 116-2695           | 1           | Spacer                     |
|             |                    |             |                                      | 37          | 109-8007           | 4           | Link-Adjuster, Deck Lift   |
|             |                    |             |                                      | 38          | 109-7840           | 4           | Adjuster-Lift, Deck        |
|             |                    |             |                                      | 39          | 109-8353           | 4           | Trunnion                   |
|             |                    |             |                                      | 40          | 3218-5             | 4           | Nut-Jam                    |

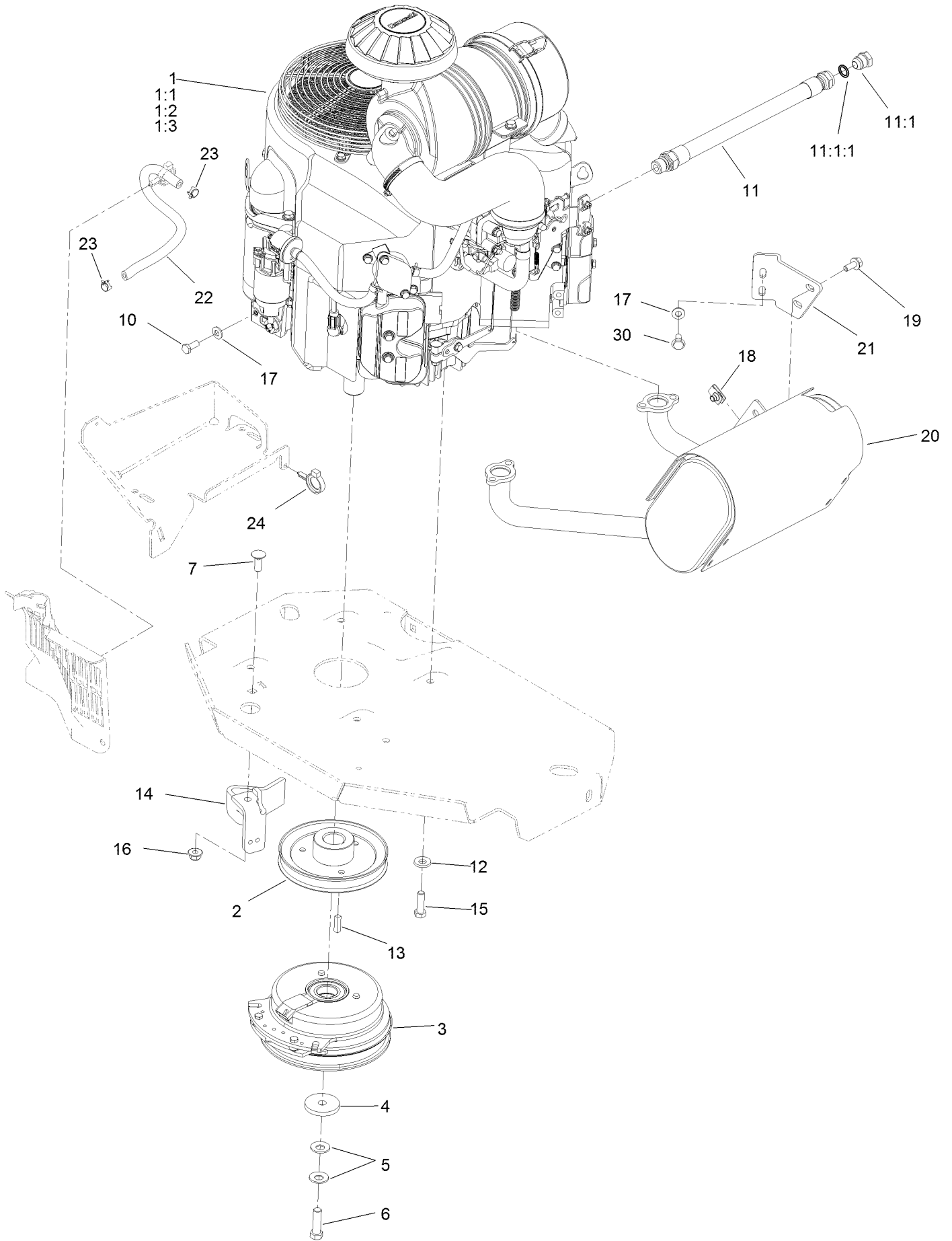
# Height-of-Cut Assembly No. 117-3842



## Height-of-Cut Assembly No. 117-3842 (continued)

| <i>Ref.</i> | <i>Part Number</i> | <i>Qty.</i> | <i>Description</i>  | <i>Ref.</i> | <i>Part Number</i> | <i>Qty.</i> | <i>Description</i>    |
|-------------|--------------------|-------------|---------------------|-------------|--------------------|-------------|-----------------------|
| 1           | 62-1330            | 1           | Bolt-Shoulder       | 6           | 116-0118           | 1           | Pawl-Transport, HOC   |
| 2           | 109-7130           | 1           | Grommet             | 7           | 117-3837           | 1           | Plate-Height Adjuster |
| 3           | 104-8301           | 1           | Nut-Flange, NI      | 7:2         | 114-4470           | 1           | Decal-HOC             |
| 4           | 109-7124           | 1           | Spring-Extension    | 8           | 109-8250           | 1           | Grip-Lever            |
| 5           | 109-7128           | 1           | Rod-Lock, Transport |             |                    |             |                       |

# Engine, Muffler and Clutch Assembly



## Engine, Muffler and Clutch Assembly (continued)

| <i>Ref.</i> | <i>Part Number</i> | <i>Qty.</i> | <i>Description</i>                          | <i>Ref.</i> | <i>Part Number</i> | <i>Qty.</i> | <i>Description</i> |
|-------------|--------------------|-------------|---|-------------|--------------------|-------------|--------------------|
| 1           |                    | 1           | Engine-Kawasaki,<br>Fx801V-S04-R ■▲         | 11:1        | 353-508            | 1           | Plug-HH ●          |
| 1:1         |                    | 1           | Kawasaki 49065-2078<br>Engine Oil Filter ■▲ | 11:1:1      | 237-42             | 1           | O-Ring             |
| 1:2         |                    | 1           | Kawasaki 11013-7044<br>Engine Air Filter ■▲ | 12          | 98-5975            | 4           | Washer-Belleville  |
| 1:3         |                    | 1           | Kawasaki 11013-7045<br>Safety Filter ■▲     | 13          | 1-807259           | 1           | Key                |
| 2           | 109-9905           | 1           | Sheave                                      | 14          | 116-2612-01        | 1           | Clutch-Anchor      |
| 3           | 116-1620           | 1           | Clutch Kit                                  | 15          | 323-7              | 4           | Screw-HH           |
| 4           | 109-6919           | 1           | Washer-Clutch                               | 16          | 104-8301           | 1           | Nut-Flange, NI     |
| 5           | 1-603610           | 2           | Washer-Spring                               | 17          | 1-303334           | 3           | Washer-Spring      |
| 6           | 109-9761           | 1           | Screw-HH ◆                                  | 18          | 94-2413            | 2           | Nut-U              |
| 7           | 3231-22            | 1           | Screw-CARR                                  | 19          | 3234-5             | 2           | Screw-HHF          |
| 10          | 33114-020          | 1           | Screw-HH                                    | 20          | 116-1712           | 1           | Muffler            |
| 11          | 116-4924           | 1           | Engine Oil Drain Hose ASM                   | 21          | 116-0203           | 1           | Bracket-Muffler    |
|             |                    |             |   | 22          | 109-0296           | 1           | Hose-Fuel          |
|             |                    |             |   | 23          | 2412-98            | 2           | Clamp-Hose         |
|             |                    |             |   | 24          | 105-1853           | 1           | Clamp-Hose         |
|             |                    |             |   | 30          | 95-4184            | 2           | Screw-HHF          |

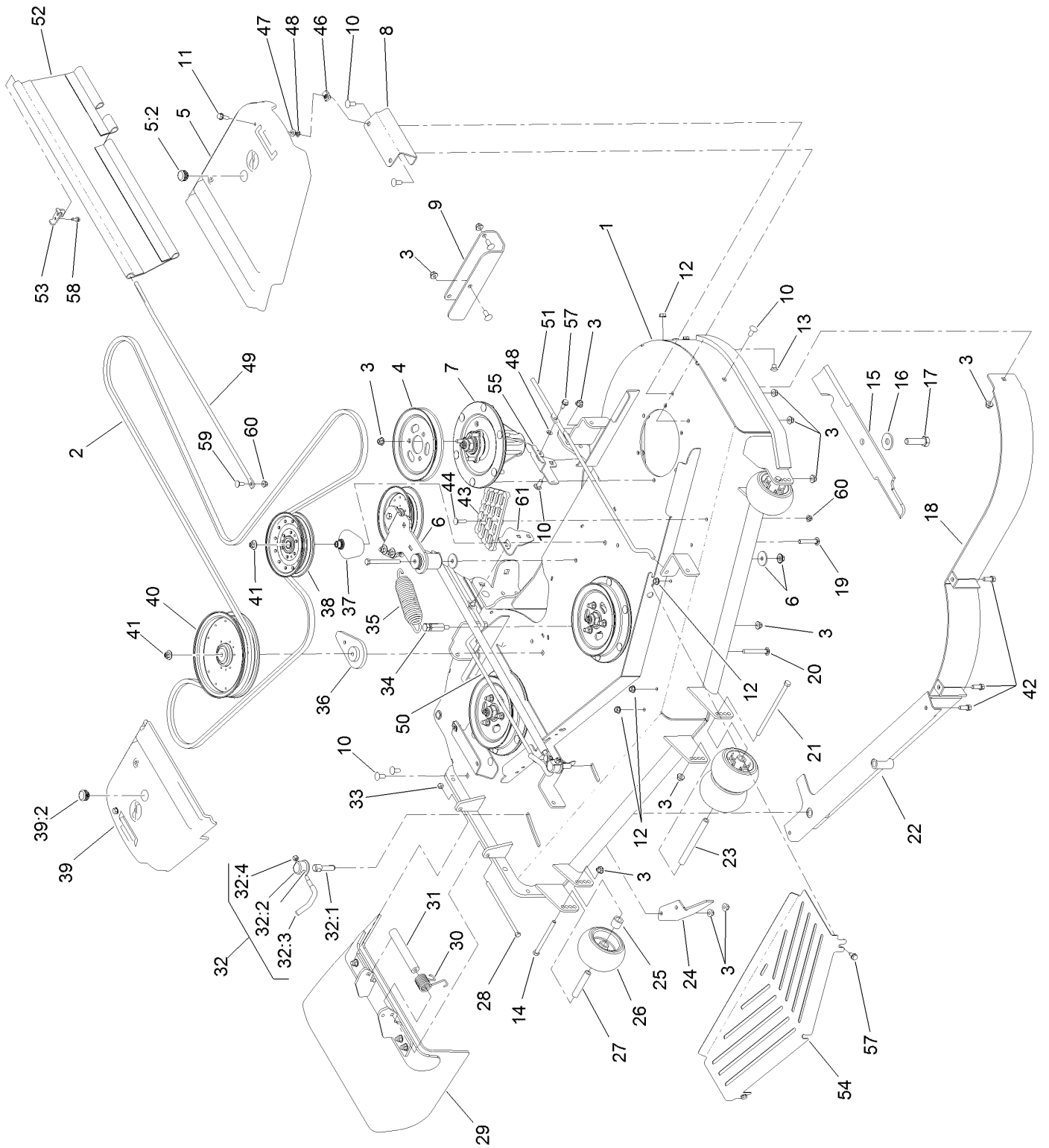
● Torque to 24-26 ft-lb

▲ Obtain parts from [www.kawpowerepc.com](http://www.kawpowerepc.com)

◆ Use Pro-Lock, Nut Type (P/N 1-840022, .5ml tube) on threads.

■ Not serviced separately

# Deck Assembly

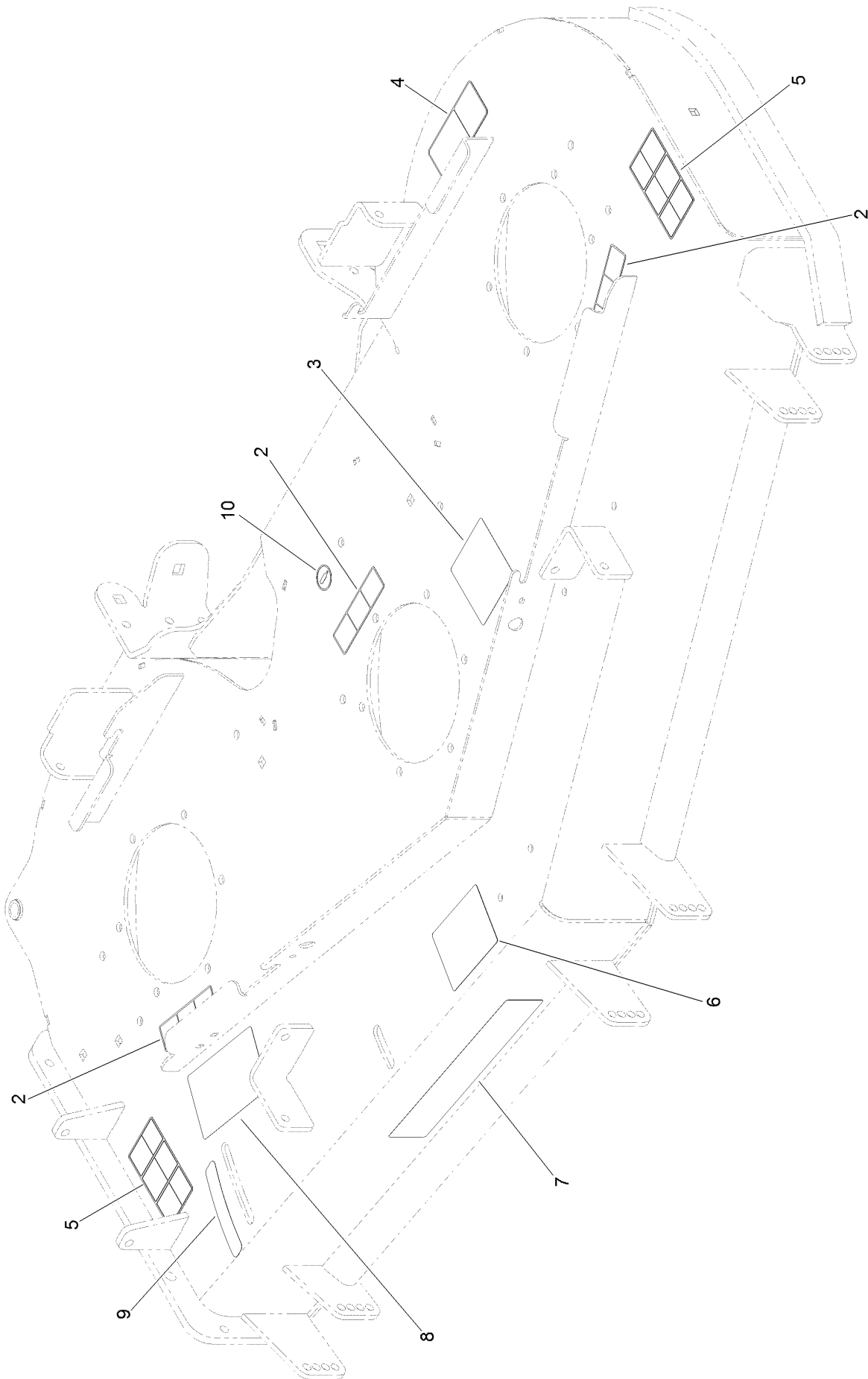


## Deck Assembly (continued)

| <i>Ref.</i> | <i>Part Number</i> | <i>Qty.</i> | <i>Description</i>       | <i>Ref.</i> | <i>Part Number</i> | <i>Qty.</i> | <i>Description</i>          |
|-------------|--------------------|-------------|--------------------------|-------------|--------------------|-------------|-----------------------------|
| 1           | 131-7683           | 1           | Deck Decal ASM           | 32:2        | 107-1644           | 1           | Cap-Lock                    |
| 2           | 114-5858           | 1           | Belt-V                   | 32:3        | 106-3241           | 1           | Lever-Lock                  |
| 3           | 104-8301           | 44          | Nut-Flange, NI           | 32:4        | 3296-29            | 1           | Nut-Lock, NI                |
| 4           | 105-7734           | 3           | Pulley                   | 33          | 3296-29            | 1           | Nut-Lock, NI                |
| 5           | 117-7816           | 1           | LH Belt Cover ASM        | 34          | 114-5867           | 1           | Anchor-Spring, Tall         |
| 5:2         | 117-3824           | 1           | Plug-Plastic             | 35          | 116-6317           | 1           | Spring-Extension            |
| 6           |                    | 1           | Idler Arm ASM ●          | 36          | 109-9416           | 1           | Spacer-Idler                |
| 7           | 127-0560           | 3           | Spindle ASM              | 37          | 109-2872           | 1           | Spacer-Pulley               |
| 8           | 114-5882-01        | 2           | Bracket-Cover, Belt      | 38          | 136-5404           | 1           | Pulley-Idler, Flat          |
| 9           | 121-8031-01        | 1           | Plate-Skid               | 39          | 117-7815           | 1           | RH Belt Cover ASM           |
| 10          | 3231-27            | 13          | Screw-CARR               | 39:2        | 117-3824           | 1           | Plug-Plastic                |
| 11          | 3234-29            | 2           | Screw-HHF                | 40          | 109-8590           | 1           | Pulley-Idler                |
| 12          | 3290-357           | 6           | Nut-HHF, Whiz            | 41          | 109-6658           | 2           | Nut-Flange, NI              |
| 13          | 108-5387           | 3           | Screw-CARR               | 42          | 92-1624            | 3           | Screw-HWH                   |
| 14          | 323-23             | 2           | Screw-HH                 | 43          | 126-4781-03        | 1           | Step-Deck                   |
| 15          | 105-7718-03        | 3           | Blade-Hi Flow            | 44          | 3230-3             | 1           | Screw-CARR                  |
| 16          | 103-0865           | 3           | Washer-Blade Bolt, Heavy | 46          | 94-2413            | 2           | Nut-U                       |
| 17          | 51-4060            | 3           | Screw-Blade              | 47          | 73-0041            | 2           | Washer-Thrust               |
| 18          | 114-5842-01        | 1           | Baffle                   | 48          | 117-2749           | 4           | Nut-Push                    |
| 19          | 3231-40            | 1           | Bolt-CARR, Short Neck    | 49          | 131-3987           | 2           | Rod-Support, Upper          |
| 20          | 3231-42            | 1           | Screw-CARR               | 50          | 131-3990           | 1           | Rod Support, RH Lower       |
| 21          | 108-5388           | 1           | Screw-HH                 | 51          | 131-3989           | 1           | Rod Support, LH Lower       |
| 22          | 127-4858-01        | 1           | Baffle ASM               | 52          | 131-4009           | 2           | Guard Side                  |
| 23          | 98-5967            | 1           | Spacer-Wheel             | 53          | 131-4194-03        | 2           | Bracket-Mounting, Upper     |
| 24          | 106-3216-01        | 1           | Baffle-Discharge         | 54          | 131-3981-03        | 1           | Shield-Front                |
| 25          | 98-7913            | 2           | Tube-Spacer              | 55          | 131-4196-03        | 1           | Bracket-Mounting, Rear (LH) |
| 26          | 1-603299           | 4           | Roller-Scalp, Anti       | 57          | 32144-70           | 4           | Screw-HWHTF                 |
| 27          | 98-7912            | 2           | Tube-Spanner             | 58          | 32144-10           | 2           | Screw-HWH                   |
| 28          | 322-50             | 1           | Screw-HH                 | 59          | 3230-23            | 2           | Screw-CARR                  |
| 29          | 108-2792           | 1           | Rubber Deflector ASM     | 60          | 104-8300           | 3           | Nut-Flange, NI              |
| 30          | 108-4052           | 1           | Spring-Torsion           | 61          | 132-0920-03        | 1           | Bracket-Mounting, Rear (RH) |
| 31          | 105-4622           | 1           | Spacer                   |             |                    |             |                             |
| 32          | 107-1664           | 2           | Lever ASM                |             |                    |             |                             |
| 32:1        | 106-3239           | 1           | Screw-Lock               |             |                    |             |                             |

● Not serviced separately

# Deck Decal Assembly No. 131-7683

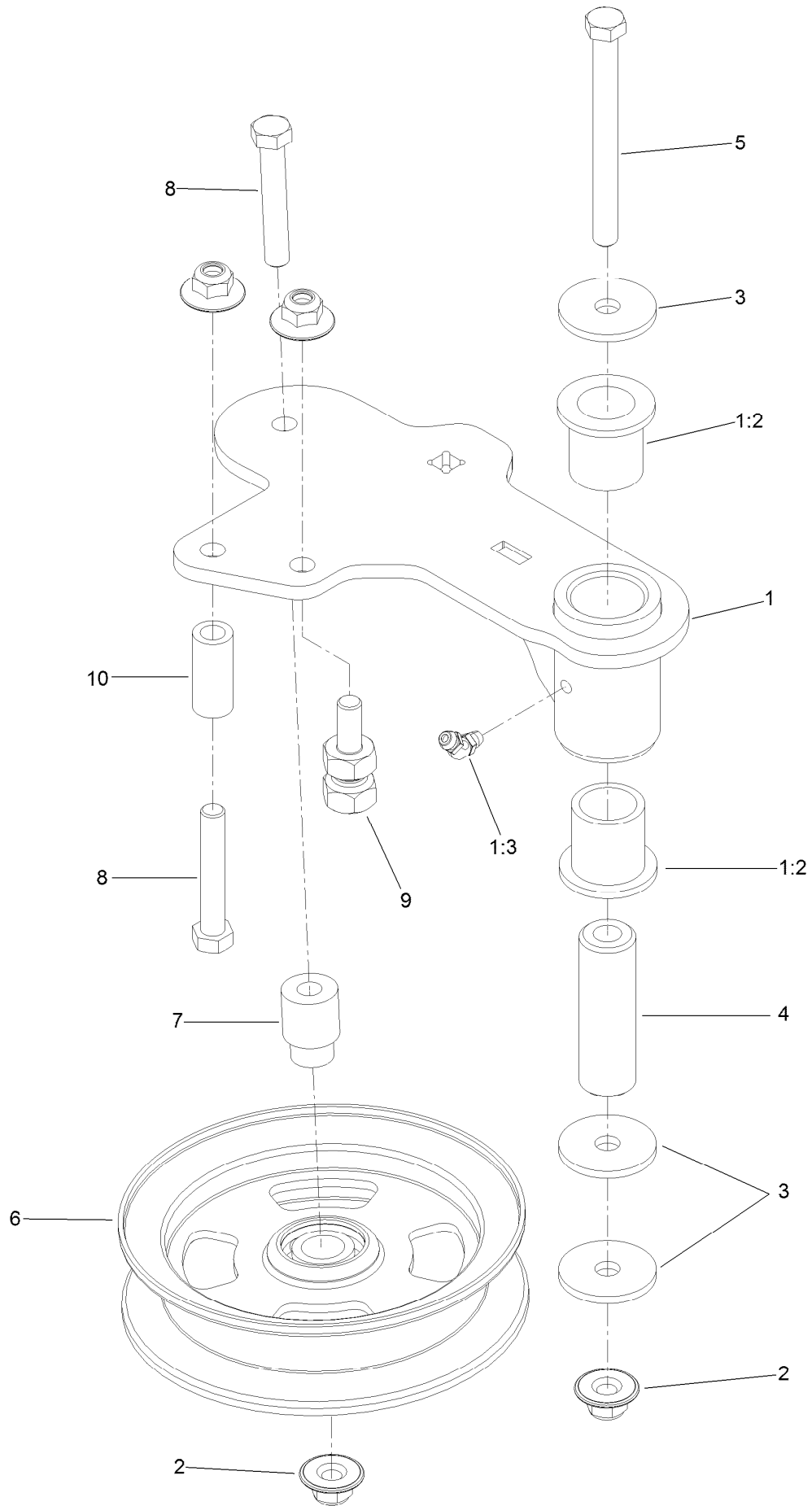




## Deck Decal Assembly No. 131-7683 (continued)

| <i>Ref.</i> | <i>Part Number</i> | <i>Qty.</i> | <i>Description</i>       | <i>Ref.</i> | <i>Part Number</i> | <i>Qty.</i> | <i>Description</i>       |
|-------------|--------------------|-------------|--------------------------|-------------|--------------------|-------------|--------------------------|
| 2           | 112-9028           | 3           | Decal-Missing, Cover     | 7           | 107-1619           | 1           | Decal                    |
| 3           | 136-5508           | 1           | Decal-Routing, Deck Belt | 8           | 110-2068           | 1           | Decal-Adjustment, Baffle |
| 4           | 93-7818            | 1           | Decal-Torque, Blade Bolt | 9           | 110-2067           | 1           | Decal-Setting, Baffle    |
| 5           | 117-3848           | 2           | Decal-Danger             | 10          | 58-6520            | 1           | Decal-Grease             |
| 6           | 127-0326           | 1           | Decal-Anti Scalp         |             |                    |             |                          |

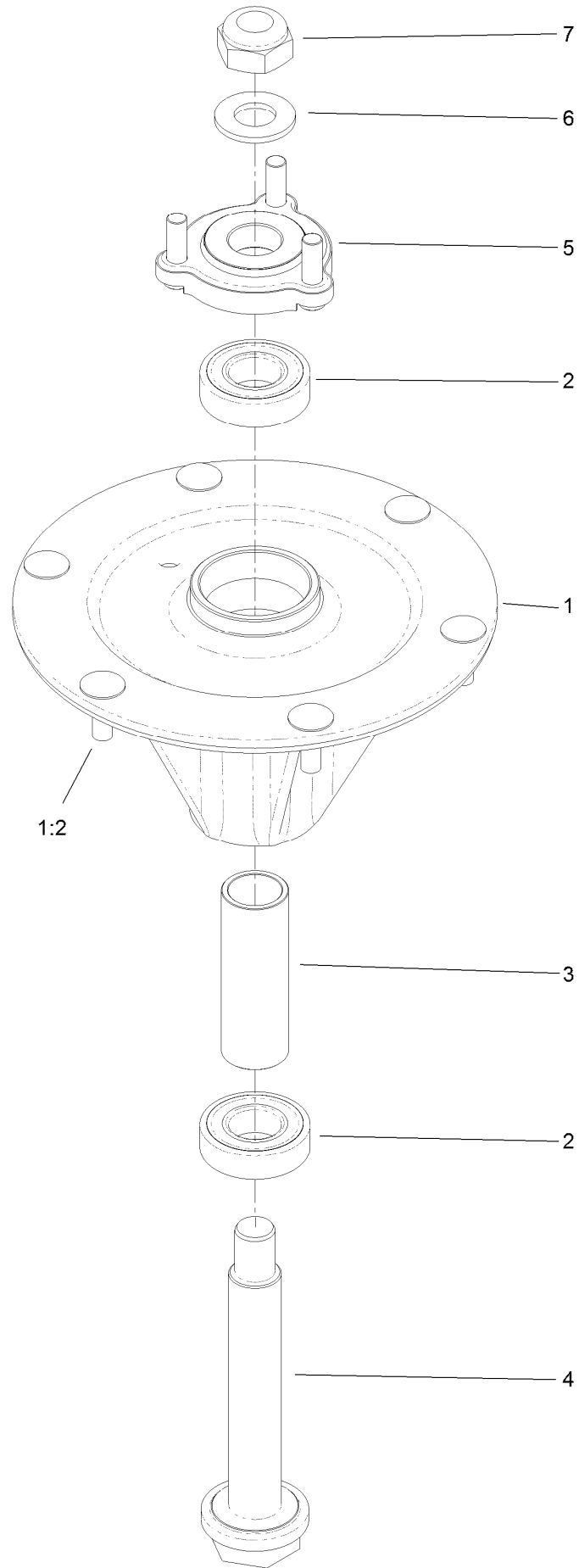
# Idler Arm Assembly



## Idler Arm Assembly (continued)

| <i>Ref.</i> | <i>Part Number</i> | <i>Qty.</i> | <i>Description</i> | <i>Ref.</i> | <i>Part Number</i> | <i>Qty.</i> | <i>Description</i>   |
|-------------|--------------------|-------------|--------------------|-------------|--------------------|-------------|----------------------|
| 1           | 114-5870           | 1           | Idler Arm ASM      | 5           | 98-5961            | 1           | Screw-HH             |
| 1:2         | 1-303514           | 2           | Bearing-Flanged    | 6           | 132-9425           | 1           | Pulley-Idler, Flat   |
| 1:3         | 1481               | 1           | Fitting-Grease     | 7           | 112-4212           | 1           | Mount-Pulley         |
| 2           | 109-6658           | 4           | Nut-Flange, NI     | 8           | 323-11             | 2           | Screw-HH             |
| 3           | 1-213069           | 3           | Washer             | 9           | 132-4729           | 1           | Anchor-Spring, Short |
| 4           | 114-5848           | 1           | Spacer-Plain       | 10          | 104-0151           | 1           | Spacer               |

# Spindle Assembly No. 127-0560

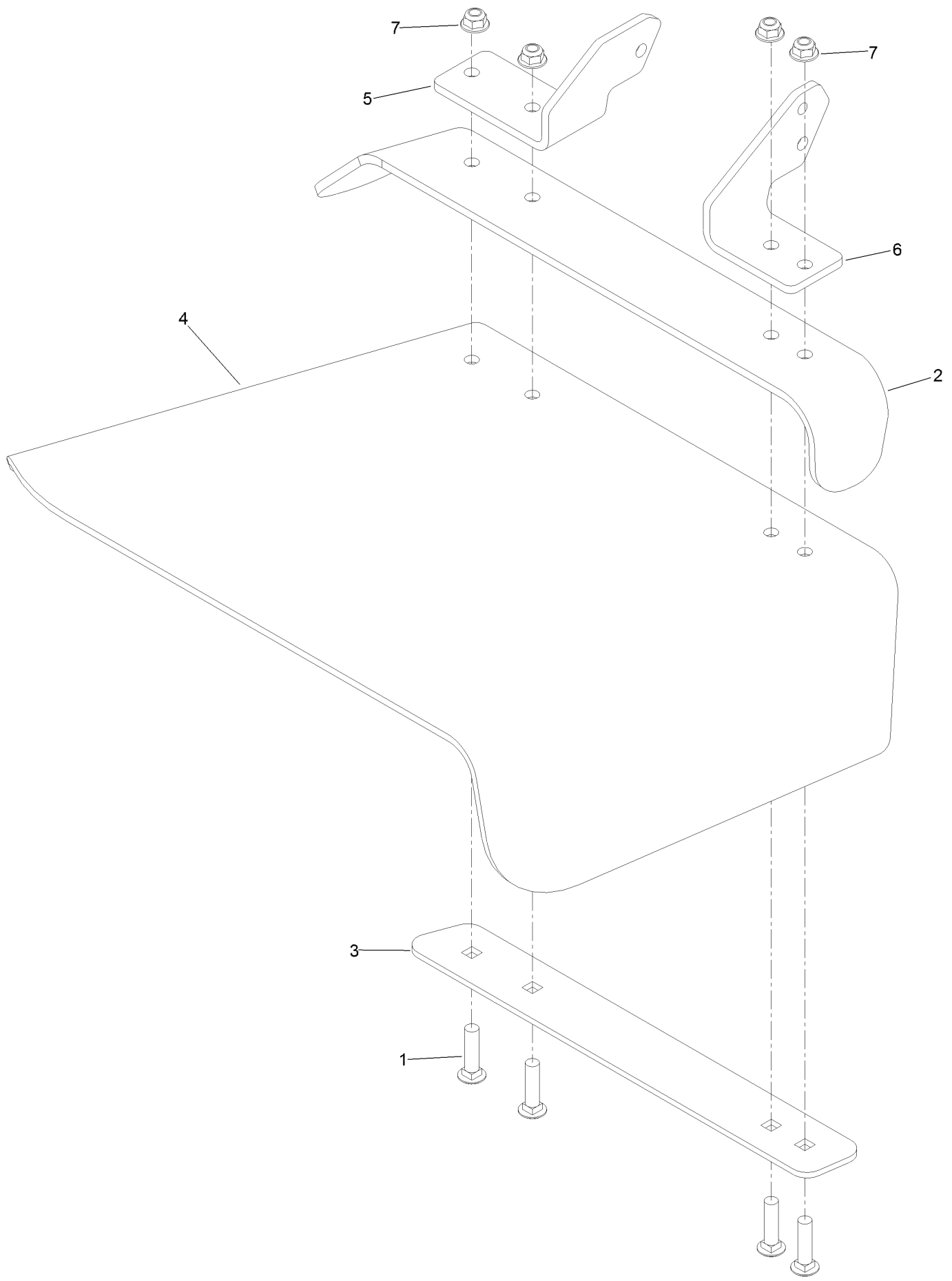


## Spindle Assembly No. 127-0560 (continued)

| <i>Ref.</i> | <i>Part Number</i> | <i>Qty.</i> | <i>Description</i>               | <i>Ref.</i> | <i>Part Number</i> | <i>Qty.</i> | <i>Description</i>          |
|-------------|--------------------|-------------|----------------------------------|-------------|--------------------|-------------|-----------------------------|
| 1           |                    | 1           | Spindle Housing ASM<br>W/Studs ● | 4           | 127-0556           | 1           | Shaft-Spindle, Ball Bearing |
| 1:2         | 114-8195           | 6           | Bolt-Ribbed Neck                 | 5           | 127-0557           | 1           | Hub-Spindle (W/Studs)       |
| 2           | 116-0720           | 2           | Bearing-Ball                     | 6           | 92-5836            | 1           | Washer                      |
| 3           | 127-0554           | 1           | Spacer-Bearing                   | 7           | 3296-67            | 1           | Nut-Lock, NI                |

● Not serviced separately

# Rubber Deflector Assembly No. 108-2792



# Rubber Deflector Assembly No. 108-2792 (continued)

| <i>Ref.</i> | <i>Part Number</i> | <i>Qty.</i> | <i>Description</i> | <i>Ref.</i> | <i>Part Number</i> | <i>Qty.</i> | <i>Description</i> |
|-------------|--------------------|-------------|--------------------|-------------|--------------------|-------------|--------------------|
| 1           | 3231-4             | 4           | Screw-CARR         | 5           | 108-4059-01        | 1           | Plate-Hinge, Rear  |
| 2           | 106-3246-01        | 1           | Deflector          | 6           | 106-3253-01        | 1           | Plate-Hinge, Front |
| 3           | 106-3248-03        | 1           | Strap-Discharge    | 7           | 104-8301           | 4           | Nut-Flange, NI     |
| 4           | 108-5029           | 1           | Deflector-Rubber   |             |                    |             |                    |

# Attachments and Accessories

## For 74925TE Z Master Professional 6000 Series Riding Mower with 152cm TURBO FORCE Side Discharge Mower

| <b>Product Name</b>                          | <b>Model/Part</b> |
|--|-------------------|
| Blower and Drive Kit .....                   | 78553             |
| E-Z Vac Triple Bagging System .....          | 78563             |
| E-Z Vac DFS Collection System .....          | 78567             |
| Deluxe Suspension Seat Kit .....             | 117-6174          |
| Deluxe Seat Kit .....                        | 121-7595          |
| Recycler Kit .....                           | 115-7468          |
| Operator Controlled Discharge Chute Kit..... | 117-3600          |
| Z Stand Kit .....                            | 121-4811          |
| Seat Cover W/arm rest .....                  | 117-0095          |
| Bimini Folding Shade Assembly .....          | 115-4510          |
| Light Kit.....                               | 116-1154          |
| Hitch Kit .....                              | 109-9487          |
| Filter Minder Gauge .....                    | 99-4664           |
| Trash Holder Kit.....                        | TC26              |
| Hypr-Oil 500 (quart).....                    | 114-4713          |
| Hypr-Oil 500 (gallon).....                   | 114-4714          |
| Hypr-Oil 500-5 (5 gallon).....               | 114-4715          |
| Jack Kit .....                               | 127-6666          |
| Blade-Hi Flow, 20.5in.....                   | 105-7718-03       |
| Blade-Mid Flow, 20.5in .....                 | 105-7715-03       |
| Blade-Lo Flow, 20.5in .....                  | 105-7716-03       |
| Blade-Atomic, 20.5in .....                   | 105-8777-03       |
| Blade-Recycler, 20.5in.....                  | 105-7777-03       |
| 6 Pack Blade, 20.5in Hi-Flow .....           | 108-1114          |
| 6 Pack Blade, 20.5in Mid-Flow .....          | 108-1123          |
| 6 Pack-Blade, 20.5in Lo Flow .....           | 108-1128          |
| 6 Pack-Blade, 20.5in Atomic.....             | 108-1115          |
| 6 Pack-Blade, 20.5in Recycler.....           | 110-0405          |
| Roller Striper Kit.....                      | 115-7470          |
| CE Bagger Compliance Kit .....               | 127-0338          |
| Toro Deluxe Rider Cover.....                 | 490-7319          |
| Spark Arrestor Screen .....                  | 75-6880           |
| Anti-Scalp Kit (Trim Side).....              | 108-4140          |
| Turbo Baffle Kit .....                       | 107-1634          |
| Seat Tilt Frame And Iso Mount Kit.....       | 121-7596          |
| Jack Mount Kit .....                         | 127-6665          |



**Notes:**

**Notes:**

**Notes:**



**Count on it.**