



**Count on it.**

**Parts Catalog**

**Z Master® Professional 6000  
Series Riding Mower**

**with 122cm TURBO FORCE® Side Discharge  
Mower**

Model No. 74902TE—Serial No. 40000000 and Up



# Ordering Replacement Parts

To order replacement parts, please supply the part number, the quantity, and the description of each part desired.

## Understanding Reference Numbers

Each identified part in an illustration has a reference number. The reference number for a part also appears in the parts list, along with other information about the part.

This catalog uses two special reference number formats, one to indicate parts in a service assembly and another to indicate the quantity of a given part in an illustration.

## Service Assembly Reference Numbers

Parts in service assemblies have reference numbers in the form a:b. The a represents the reference number of the entire service assembly and the b represents a sequential number unique to each part within the service assembly.

For example, a wheel assembly might be identified by reference number 6, the tire by 6:1, the valve by 6:2, and the wheel by 6:3. When you order the assembly identified by reference number 6, you receive all parts identified by reference numbers 6:1, 6:2, and 6:3. However, you may also order any part individually. Reference numbers of this type appear in illustration and in parts lists.

## Reference Numbers Indicating Quantity

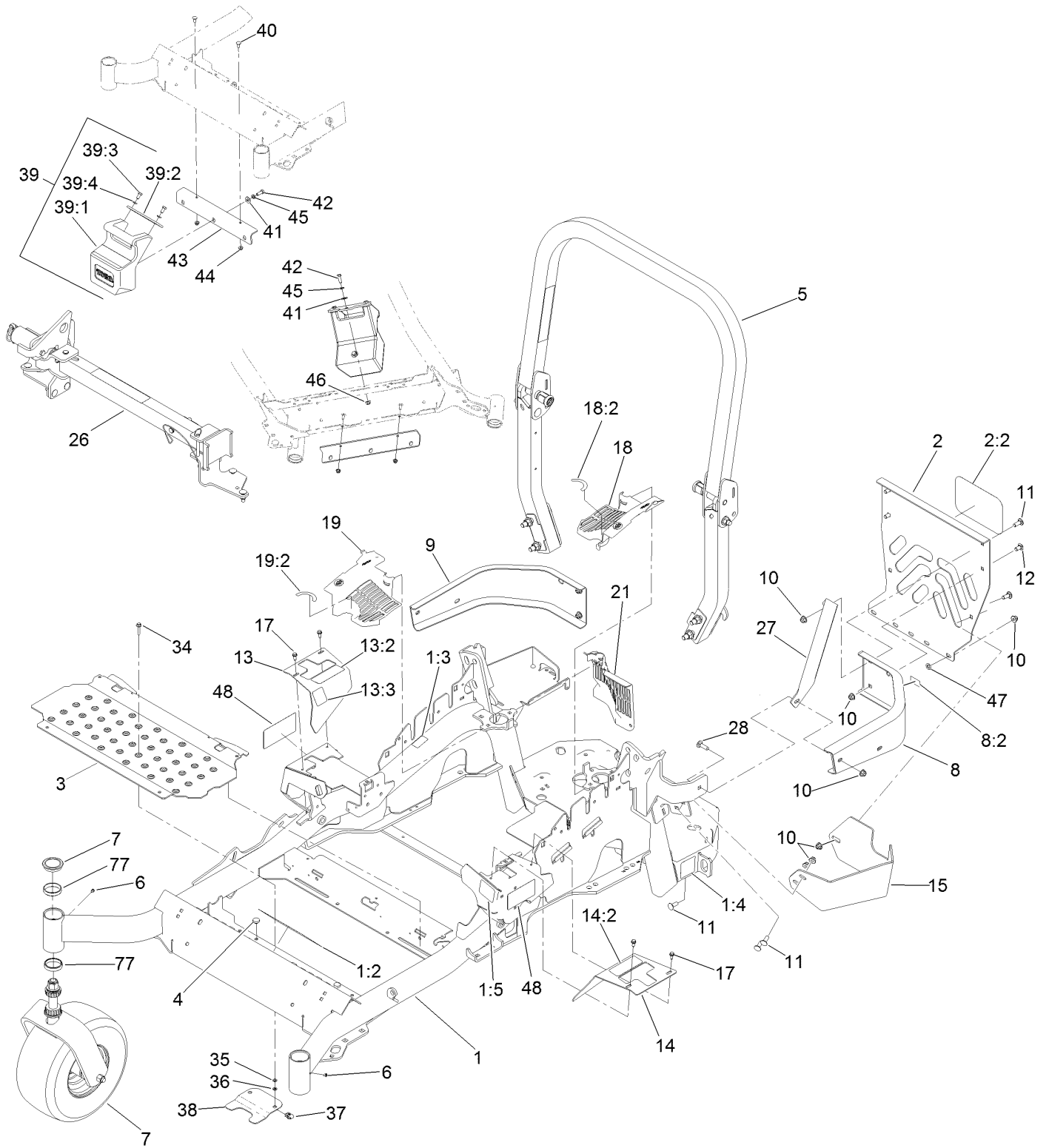
In an illustration, if a reference number indicates more than one part, the reference number has the form nX y. The n represents the quantity of the part, the X is the multiplication symbol, and the y represents the reference number.

For example, in an illustration, the reference number 2X 37 means that two of the parts identified by reference number 37 are indicated.

# Contents

Frame, Caster and Z Stand Assembly .....	4
Roll-Over Protection System Assembly No. 116-0232.....	6
Caster Wheel and Fork Assembly .....	8
Z Stand Assembly .....	10
Hydraulic Pump, Idler and Belt Assembly.....	12
Pump Idler Assembly No. 116-1255 .....	14
LH Hydro Assembly No. 126-1321 .....	16
RH Hydro Assembly No. 126-1322 .....	18
Parking Brake and Wheel Assembly .....	20
Fuel System Assembly .....	22
Fuel Tank Assembly No. 126-6494 .....	24
Seat Mounting Assembly .....	26
Seat Assembly No. 125-3107 .....	28
Motion Control Assembly .....	30
Fender, Console and Control Assembly .....	32
LH Console Assembly No. 115-7403 .....	34
RH Console Assembly No. 115-7402 .....	36
Electrical System Assembly .....	38
Deck Lift Assembly.....	40
Height-of-Cut Assembly No. 117-3842.....	42
Engine, Clutch and Muffler Assembly .....	44
Deck Assembly .....	46
Deck Decal Assembly No. 131-7673 .....	48
Idler Arm Assembly .....	50
Spindle Assembly No. 127-0560.....	52
Rubber Deflector Assembly No. 108-2792.....	54
Attachments and Accessories .....	56

# Frame, Caster and Z Stand Assembly

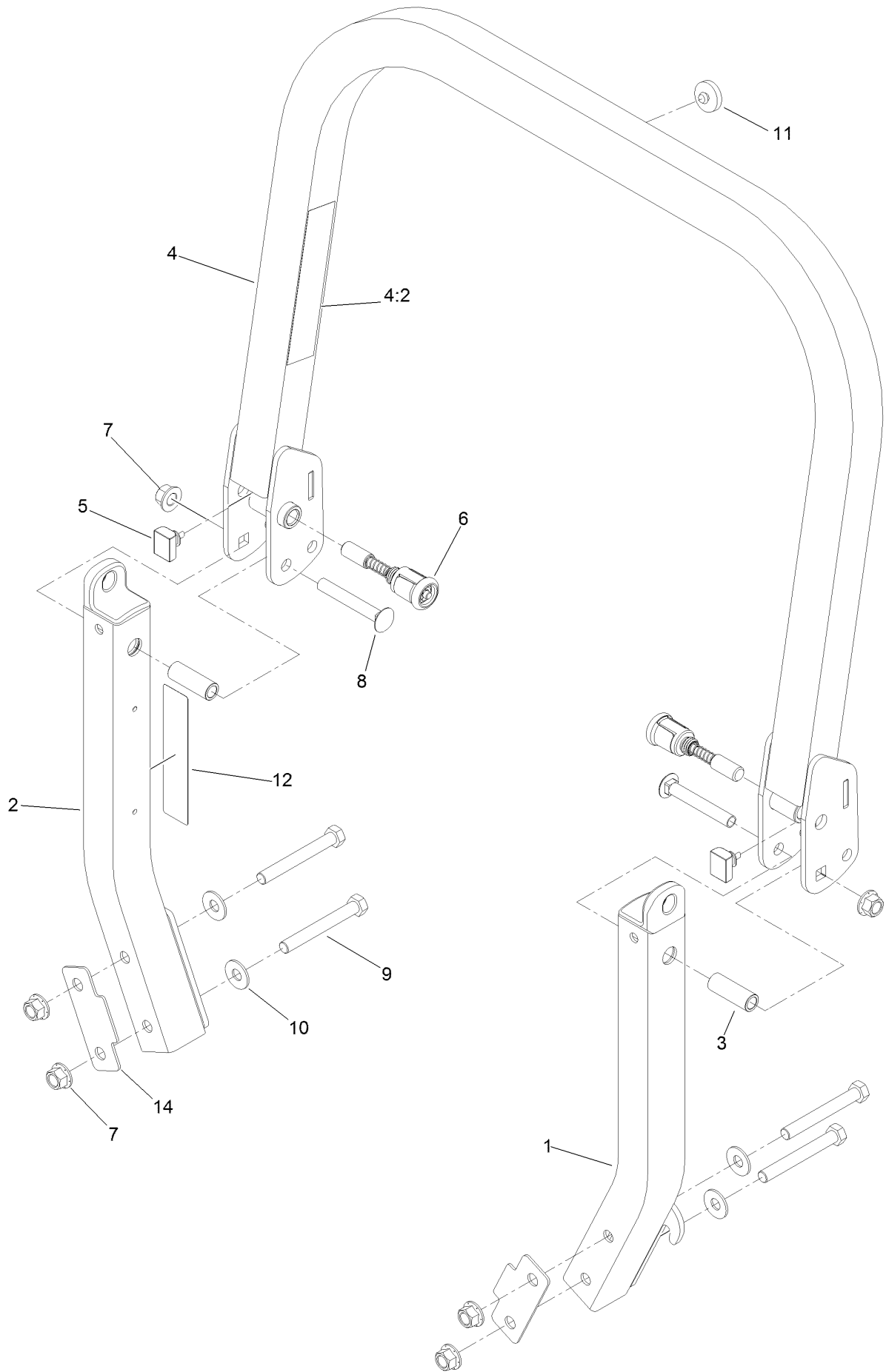


## Frame, Caster and Z Stand Assembly (continued)

<i>Ref.</i>	<i>Part Number</i>	<i>Qty.</i>	<i>Description</i>	<i>Ref.</i>	<i>Part Number</i>	<i>Qty.</i>	<i>Description</i>
1	131-7671	1	Main Frame ASM	18:2	117-3811	1	Decal-Hydro Oil
1:2	132-0871	1	Decal-Danger	19	117-3839	1	RH Hydro Guard ASM
1:3	106-5517	2	Decal-Warning	19:2	117-3811	1	Decal-Hydro Oil
1:4	106-2655	2	Decal-Hazard, Pinched Finger	21	109-9058	1	Guard-Hydro, Rear (RH)
1:5	117-3864	1	Decal-Fuel Fill, CE	26		1	Z Stand ASM ●
2	115-7410	1	Rear Guard ASM	27	127-0324-03	1	Strap
2:2	67-7320	1	Decal	28	3231-25	1	Bolt-CARR
3	116-8898-01	1	Floorpan	34	3234-4	2	Screw-HHF
4	1-513658	2	Bumper	35	3256-60	2	Washer-Flat
5	116-0232	1	ROPS ASM	36	106-8737	2	Nut-Retainer
6	1-811010	2	Plug	37	107069	2	Clip
7		2	Front Caster ASM ●	38	119-0395-03	1	Adapter-Captive
8	117-3829	1	LH Rear Bumper ASM	39		1	Weight ASM ●
8:2	106-5517	1	Decal-Warning	39:1	120-7881	1	Weight-43 Lb
9	116-0057-03	1	Bumper-RH	39:2	115-3616-01	1	Tab-Support, Weight
10	104-8301	11	Nut-Flange, NI	39:3	323-4	2	Screw-HH
11	3231-22	7	Screw-CARR	39:4	3253-5	2	Washer-Lock
12	3231-21	3	Screw-CARR	40	3230-23	2	Screw-CARR
13	116-5898	1	RH Motion Control Cover ASM	41	3256-4	2	Washer-Flat
13:2	99-8936	1	Decal-Control, Motion	42	323-6	2	Screw-HH
13:3	116-5988	1	Decal-Park Brake, CE	43	115-3615-01	1	Bracket-Mount, Weight
14	117-3831	1	LH Motion Control Cover ASM	44	104-8300	2	Nut-Flange, NI
14:2	99-8936	1	Decal-Control, Motion	45	3253-5	2	Washer-Lock
15	117-0908-03	1	Guard-Muffler	46	104-8301	1	Nut-Flange, NI
17	32144-10	4	Screw-HWH	47	107-3154	2	Nut-Push
18	117-3838	1	LH Hydro Guard ASM	48	120-5895	2	Decal
				77	1-543508	4	Cup-Bearing

● Not serviced separately

# Roll-Over Protection System Assembly No. 116-0232

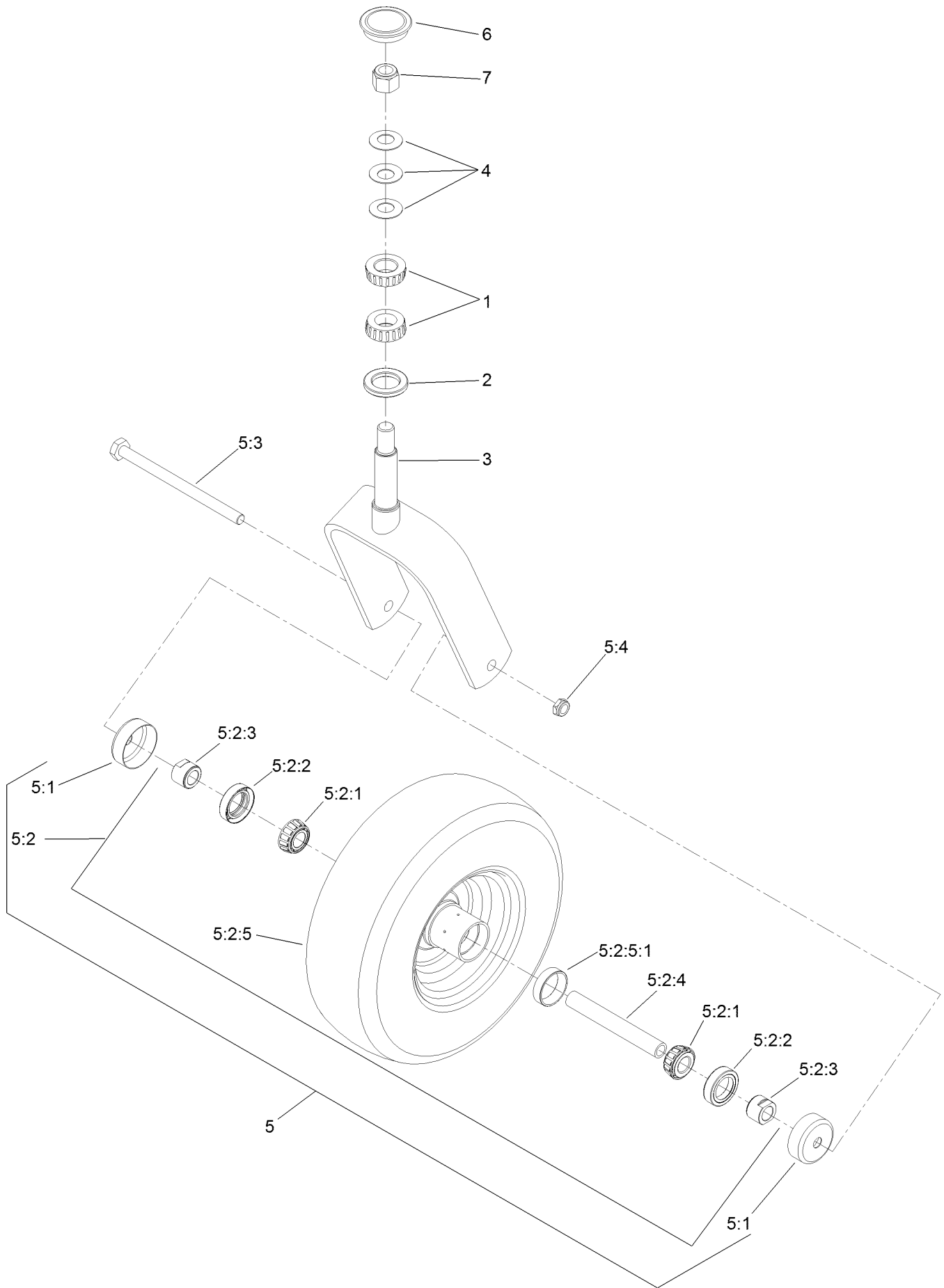


# Roll-Over Protection System Assembly No. 116-0232 (continued)

<i>Ref.</i>	<i>Part Number</i>	<i>Qty.</i>	<i>Description</i>	<i>Ref.</i>	<i>Part Number</i>	<i>Qty.</i>	<i>Description</i>
1		1	Leg-ROPS, LH ●	7	99-5107	6	Nut-Lock
2		1	Leg-ROPS, RH ●	8	3233-10	2	Screw-CARR
3	109-6653	2	Spacer	9	325-35	4	Screw-HH
4		1	Upper ROPS ASM ●	10	109-9505	4	Washer-Spring
4:2	107-3069	1	Decal-Warning	11	109-9233	1	Bumper-Push-In, Rubber
5	109-5337	2	Bumper-ROPS	12	117-0346	1	Decal-Caution, Fuel Vent
6	116-0104	2	Pin-Spring	14	116-0960	2	Spacer

● Not serviced separately

# Caster Wheel and Fork Assembly





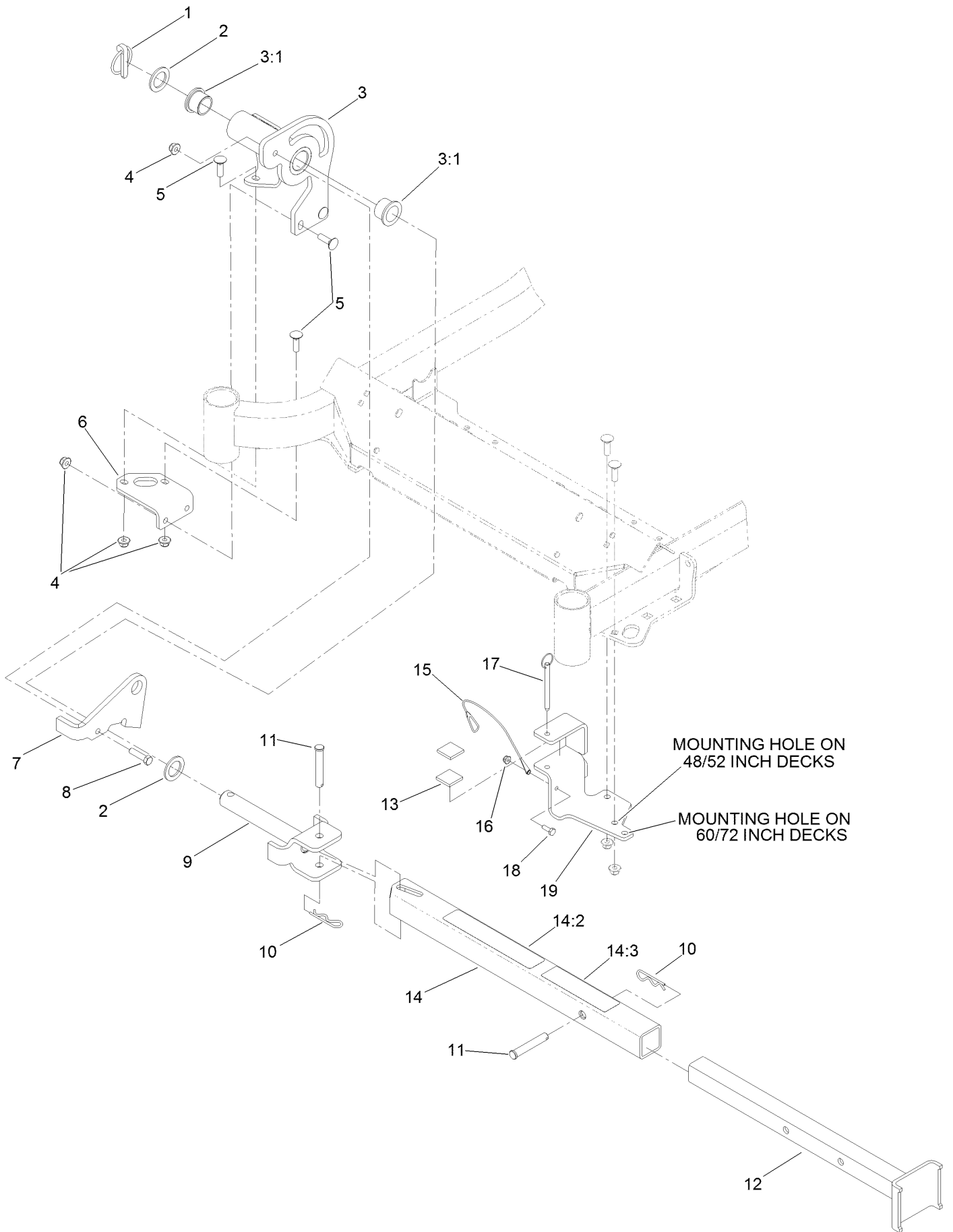
## Caster Wheel and Fork Assembly (continued)

<i>Ref.</i>	<i>Part Number</i>	<i>Qty.</i>	<i>Description</i>	<i>Ref.</i>	<i>Part Number</i>	<i>Qty.</i>	<i>Description</i>
1	1-543509	2	Bearing-Roller, Tapered	5:2:3	103-3051	1	Spacer-Nut ■
2	116-5647	1	Seal-Grease	5:2:4	126-5360	1	Axle ASM-Caster
3	116-6702-01	1	Fork-Caster	5:2:5		1	Wheel And Tire ASM ●
4	1-633508	3	Washer-Bellville	5:2:5:1	1-633584	2	Bearing-Cup
5	109-9126	1	Wheel & Tire ASM	5:3	325-42	1	Screw-HH
5:1	103-2768	2	Guard-Seal	5:4	3296-23	1	Nut-Lock, NI
5:2		1	Wheel And Tire ASM ●	6	103-4882	1	Cap-Grease
5:2:1	1-633585	2	Bearing-Cone, Taper	7	3296-51	1	Nut-Lock, NI
5:2:2	103-0063	2	Seal-Caster				

● Not serviced separately

■ Use Pro-Lock, Nut Type (P/N 1-840022, .5ml tube) on threads.

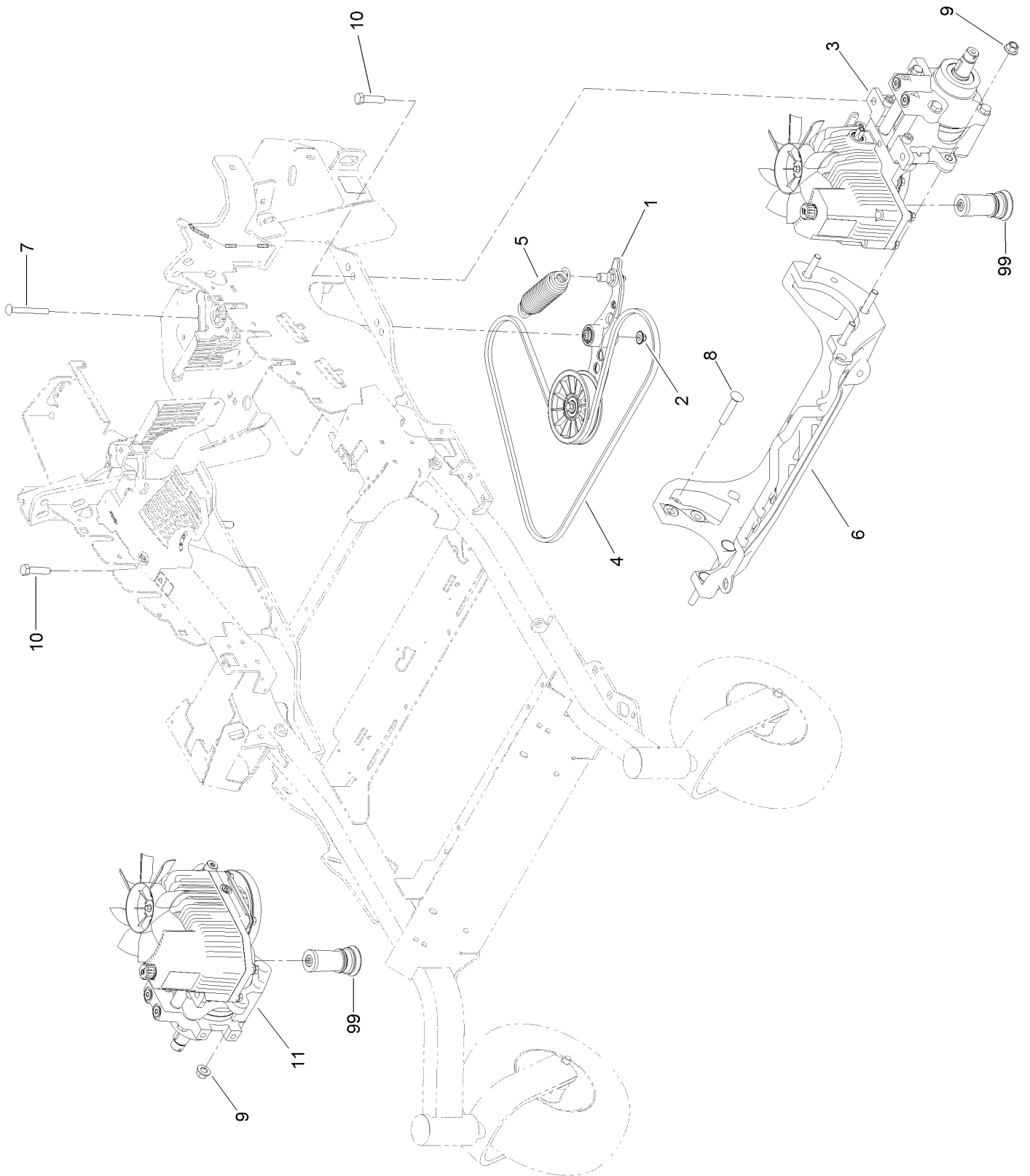
# Z Stand Assembly



## Z Stand Assembly (continued)

<i>Ref.</i>	<i>Part Number</i>	<i>Qty.</i>	<i>Description</i>	<i>Ref.</i>	<i>Part Number</i>	<i>Qty.</i>	<i>Description</i>
1	283-71	1	Pin-Lynch	11	283-55	2	Pin-Clevis
2	3-6781	2	Washer-Thrust	12	115-3631-01	1	Tube-Inner
3	136-1669	1	Pivot Plate ASM	13	115-3613	2	Cushion-Rubber
3:1	94-1291	2	Bushing	14	115-3634	1	Outer Tube ASM
4	104-8301	8	Nut-Flange, NI	14:2	106-7464	1	Decal-Z Stand
5	3231-25	7	Bolt-CARR	14:3	107-3969	1	Decal-Warning
6	115-3619-01	1	Bracket-Mount, Pivot	15	100-9385	1	Lanyard-Nylon
7	136-1657-01	1	Plate-Latch	16	104-7201	1	Nut-Flange, NI
8	323-8	1	Screw-HH	17	105-1647	1	Pin-Hitch, Cotterless
9	100-9692-01	1	Pin-Pivot	18	321-4	1	Screw-HH
10	3290-355	2	Pin-Hair	19	115-3625-01	1	Cradle-Z Stand

# Hydraulic Pump, Idler and Belt Assembly



## Hydraulic Pump, Idler and Belt Assembly (continued)

<i>Ref.</i>	<i>Part Number</i>	<i>Qty.</i>	<i>Description</i>	<i>Ref.</i>	<i>Part Number</i>	<i>Qty.</i>	<i>Description</i>
1	116-1255	1	Pump Idler ASM	9	99-5107	6	Nut-Lock
2	109-6658	1	Nut-Flange, NI	10	325-8	4	Screw-HH
3	126-1321	1	LH Hydro ASM (12Cc W/ Check)	11	126-1322	1	RH Hydro ASM (12Cc W/ Check)
4	109-3388	1	Belt	99	114-4713	1	Hypr-Oil 500 (Quart) ●
5	116-6317	1	Spring-Extension	99	114-4714	1	Hypr-Oil 500 (Gallon) ●
6	116-7558	1	Cradle-Hydro	99	114-4715	1	Hypr-Oil 500-5 (5 Gallon) ●
7	116-1502	1	Bolt-Shoulder, Carriage	99	117-0390	1	Filter-Hydro
8	126-0095	6	Screw-CARR				

● Not illustrated

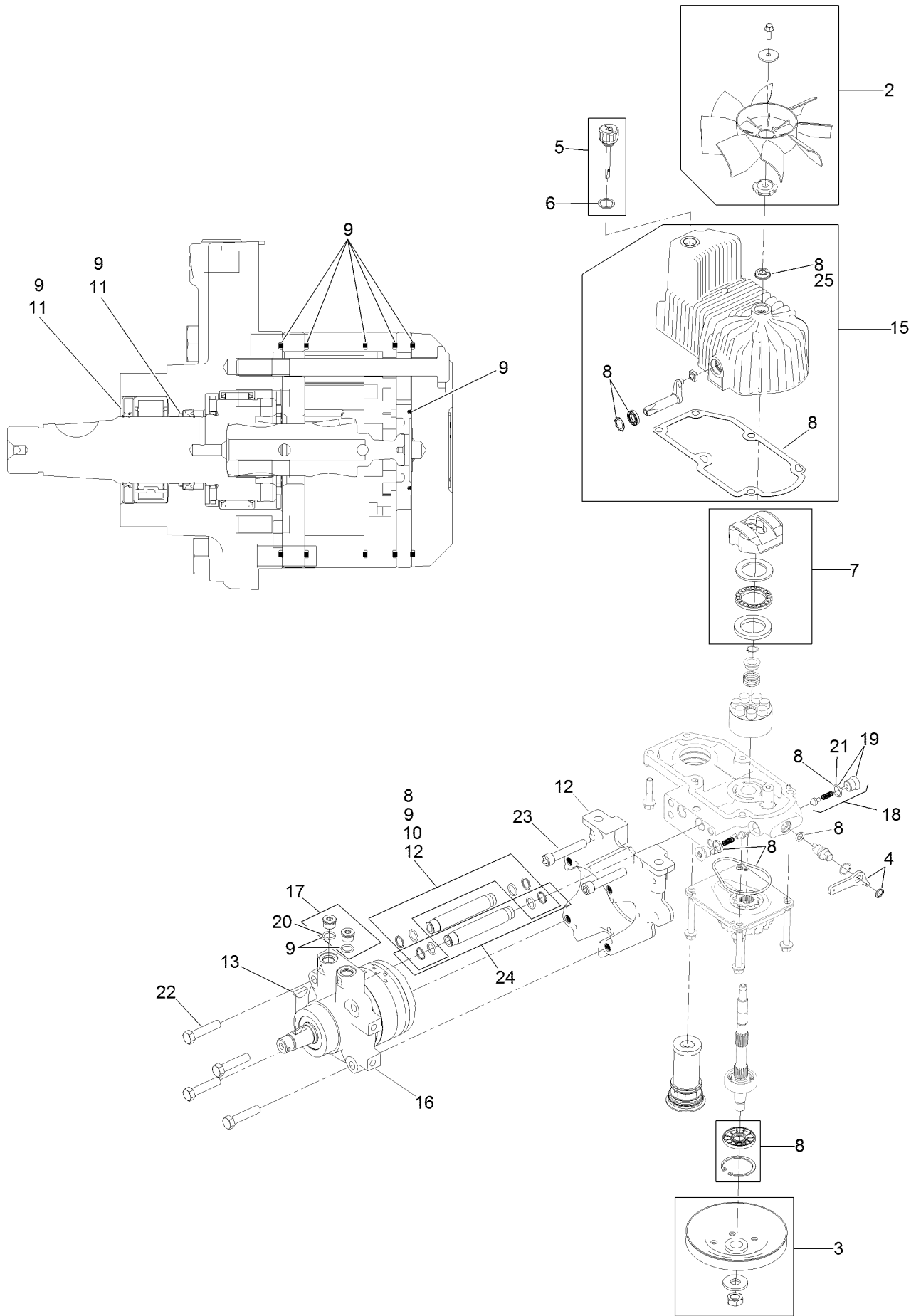
# Pump Idler Assembly No. 116-1255



## Pump Idler Assembly No. 116-1255 (continued)

<i>Ref.</i>	<i>Part Number</i>	<i>Qty.</i>	<i>Description</i>	<i>Ref.</i>	<i>Part Number</i>	<i>Qty.</i>	<i>Description</i>
2	43-0940	1	Spacer	8	323-8	1	Screw-HH
3	103-3504	2	Bearing-Spherical	9	32120-10	2	Ring-Snap
4	103-3505	1	Seal-Double Lip	10	302-19	1	Fitting-Grease
5	103-3506	1	Seal-Lip, Single	11	109-8076	1	Pulley-Idler
6	109-6658	1	Nut-Flange, NI	12	132-4724	1	Pin-Anchor, Spring
7	106-7159	2	O-Ring				

# LH Hydro Assembly No. 126-1321



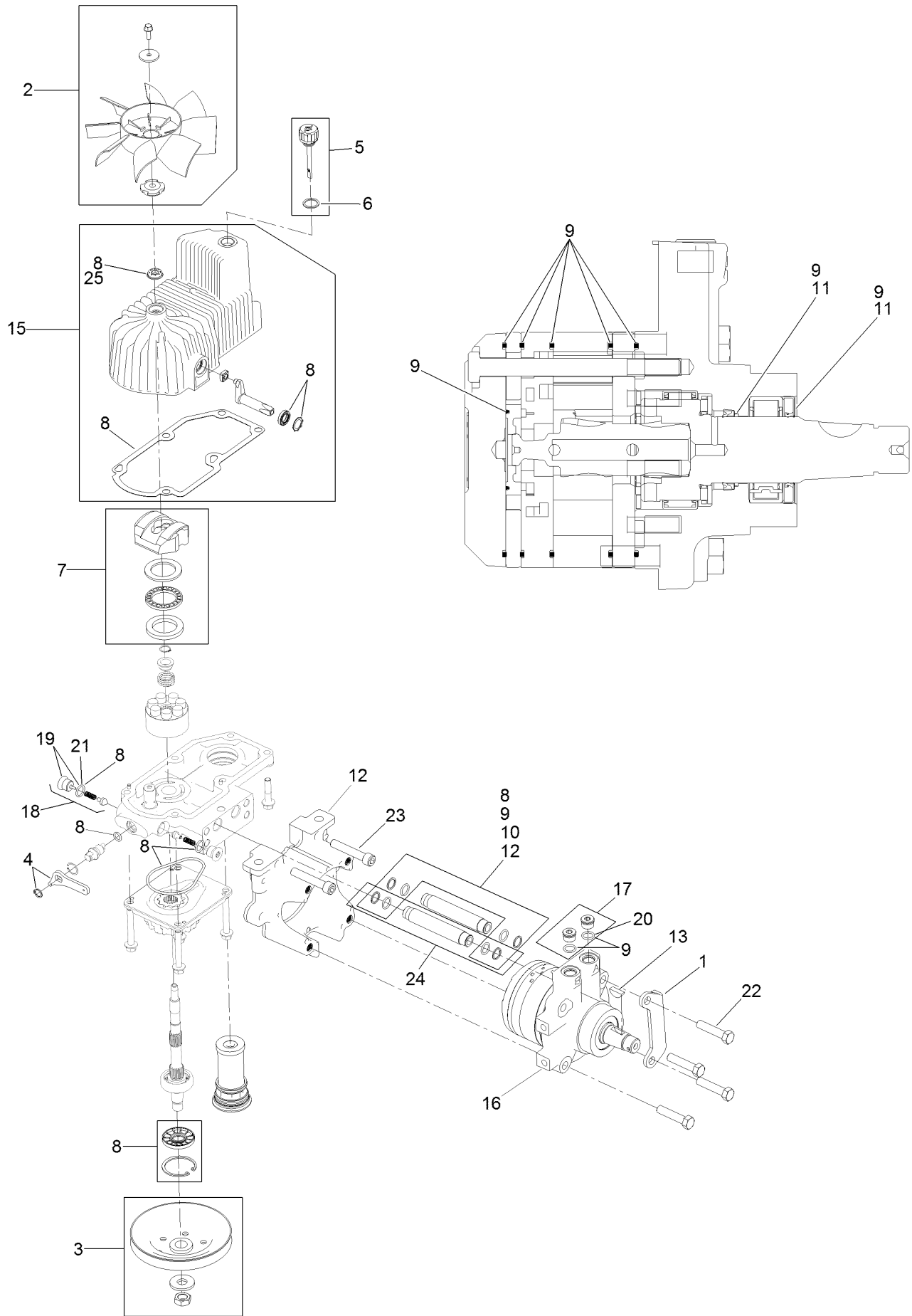


## LH Hydro Assembly No. 126-1321 (continued)

<i>Ref.</i>	<i>Part Number</i>	<i>Qty.</i>	<i>Description</i>	<i>Ref.</i>	<i>Part Number</i>	<i>Qty.</i>	<i>Description</i>
2	116-0233	1	Fan Kit	15	116-3287	1	Housing-LH
3	116-0234	1	Pulley Kit	16	116-8915	1	Motor-Hydraulic LH 240Cc
4	116-0235	1	Handle-Bypass Valve, Hydro	17	116-7901	1	Magnetic Plugs Service Kit
5	116-0236	1	Dipstick-Hydro W/Gasket	18	116-1630	2	Check Valve ASM
6	116-0237	1	Gasket-Dipstick, Hydro	19	116-1631	2	Plug-Check (W/O-Ring)
7	116-1367	1	Swash Block Kit	20	76-1900	2	O-Ring
8	116-1368	1	Pump Seal Kit	21	116-8662	2	O-Ring-Check Valve
9	116-1369	1	Motor Seal Kit	22	116-8974	4	Screw HH
10	116-1370	1	Tube Seal Kit	23	116-8975	2	Screw-HSH
11	116-1371	1	Output Shaft Seal Kit	24	116-9922	2	Hydraulic Tube Kit
12	116-5469	1	Nose Cup-Uht	25	126-7711	1	Seal-Fan Drive
13	3257-42	1	Key-Woodruff	99	116-1373	1	Flow Test Kit ●
				99	116-4245	1	Puller-Pulley ●

● Not illustrated

# RH Hydro Assembly No. 126-1322

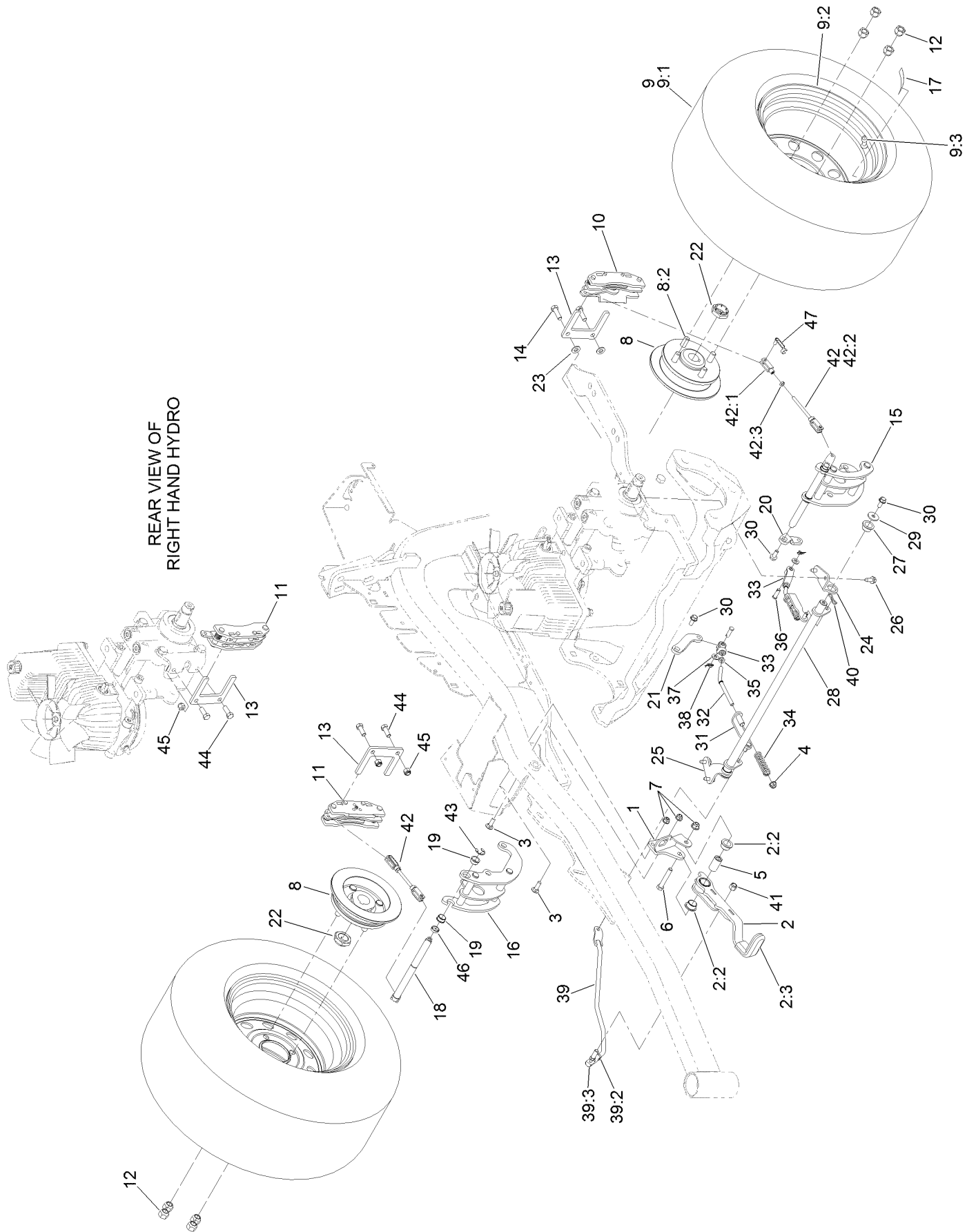


## RH Hydro Assembly No. 126-1322 (continued)

<i>Ref.</i>	<i>Part Number</i>	<i>Qty.</i>	<i>Description</i>	<i>Ref.</i>	<i>Part Number</i>	<i>Qty.</i>	<i>Description</i>
1	116-9063	1	Mount-Shoe, Horse	15	116-3288	1	Housing-RH
2	116-0233	1	Fan Kit	16	116-8916	1	Motor-Hydraulic RH 240Cc
3	116-0234	1	Pulley Kit	17	116-7901	1	Magnetic Plugs Service Kit
4	116-0235	1	Handle-Bypass Valve, Hydro	18	116-1630	2	Check Valve ASM
5	116-0236	1	Dipstick-Hydro W/Gasket	19	116-1631	2	Plug-Check (W/O-Ring)
6	116-0237	1	Gasket-Dipstick, Hydro	20	76-1900	2	O-Ring
7	116-1367	1	Swash Block Kit	21	116-8662	2	O-Ring-Check Valve
8	116-1368	1	Pump Seal Kit	22	116-8974	4	Screw HH
9	116-1369	1	Motor Seal Kit	23	116-8975	2	Screw-HSH
10	116-1370	1	Tube Seal Kit	24	116-9922	2	Hydraulic Tube Kit
11	116-1371	1	Output Shaft Seal Kit	25	126-7711	1	Seal-Fan Drive
12	116-5469	1	Nose Cup-Uht	99	116-1373	1	Flow Test Kit ●
13	3257-42	1	Key-Woodruff	99	116-4245	1	Puller-Pulley ●

● Not illustrated

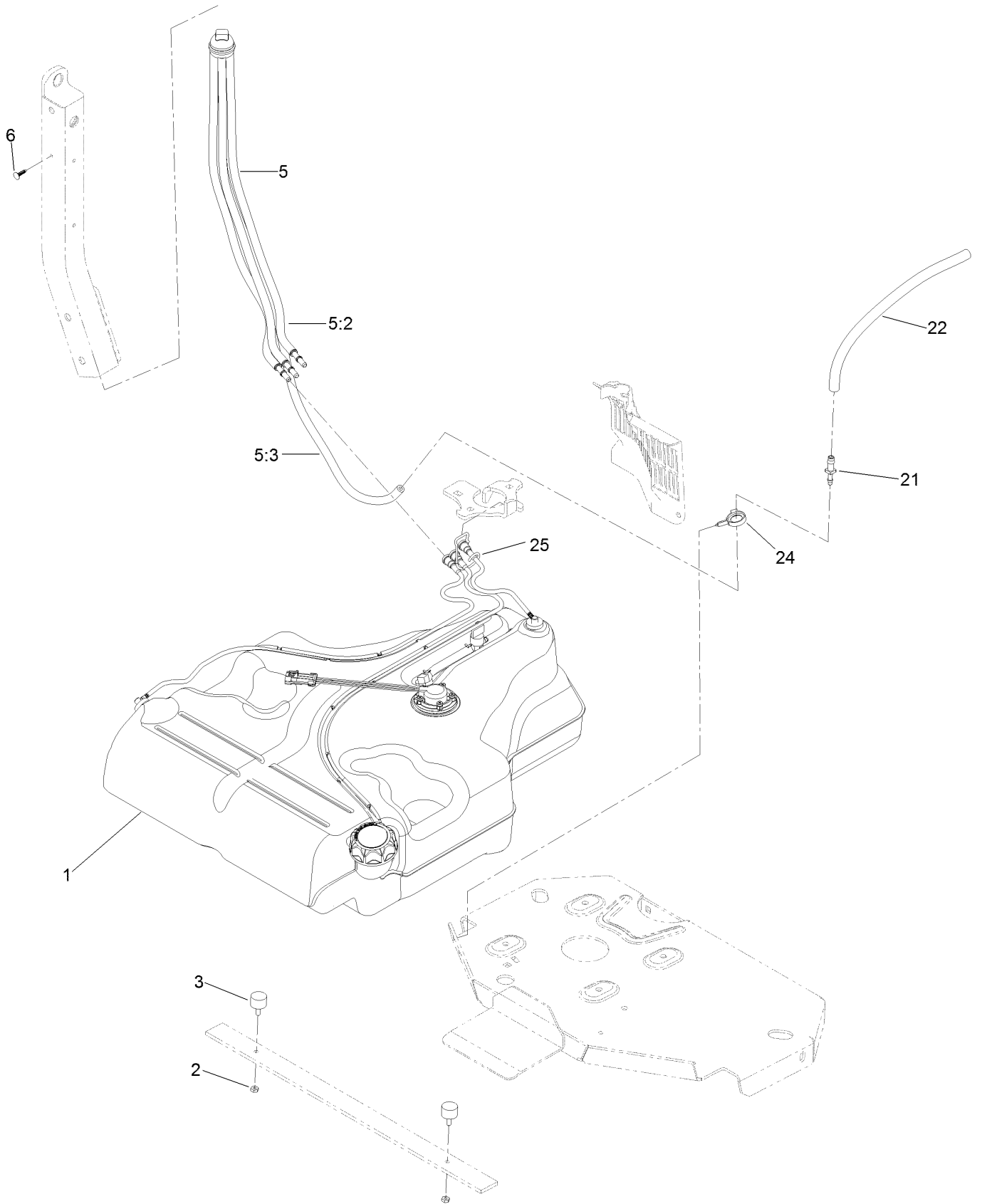
# Parking Brake and Wheel Assembly



## Parking Brake and Wheel Assembly (continued)

<i>Ref.</i>	<i>Part Number</i>	<i>Qty.</i>	<i>Description</i>	<i>Ref.</i>	<i>Part Number</i>	<i>Qty.</i>	<i>Description</i>
1	116-9096-01	1	Bracket-Mount	24	116-9681	1	Mount-Pivot, LH
2	126-0970	1	Brake Lever ASM	25	116-9682	1	Mount-Pivot, RH
2:2	109-8054	2	Bushing-Flange	26	32144-70	4	Screw-HWHTF
2:3	1-633268	1	Grip-Lever	27	109-8054	2	Bushing-Flange
3	3230-2	2	Bolt-CARR	28	116-9080	1	Shaft-Cross
4	104-8300	4	Nut-Flange, NI	29	115-7109	2	Washer-Flat
5	116-9117	1	Handle-Pivot, Brake	30	98-9940	4	Screw
6	323-11	1	Screw-HH	31	116-9608	2	Bracket-L
7	104-8301	1	Nut-Flange, NI	32	116-9086	2	Linkage-Mid
8	116-1746	2	Wheel Hub ASM	33	126-3693	2	Yoke-Offset
8:2	116-1696	4	Stud-Wheel	34	116-9085	2	Spring-Compression
9	127-9543	2	Wheel And Tire ASM	35	3220-2	2	Nut-Jam
9:1	127-9523	1	Tire	36	1-808280	2	Pin-Clevis
9:2	109-3645	1	Rim ASM	37	3256-23	4	Washer-Flat
9:3	232-27	1	Stem-Valve	38	116-6639	2	Pin-Cotter, Locking
10	109-2889	1	Caliper-Brake	39	116-9102	1	Front Linkage ASM
11	116-9103	1	Caliper-Brake, RH	39:2	94-7572	1	End-Tie Rod, RH
12	242-50	8	Nut-Lug	39:3	3220-3	1	Nut-HJ
13	109-0958	2	Plate-Mount, Brake	40	119-1415	2	Pin-Cotter, Locking
14	92-5727	2	Screw-Lock, Patch	41	3296-6	1	Nut-Lock
15	126-4248	1	Mount-Bellcrank, LH	42	126-7587	2	Rear Linkage ASM
16	126-4249	1	Mount-Bellcrank, RH	42:1	126-7588	2	Yoke
17	126-2055	2	Decal-Torque, Wheel Hub Lug	42:2	116-9069	1	Linkage, Rear
18	126-4251	2	Bellcrank	42:3	3220-1	1	Nut-Jam
19	126-6199	4	Bushing-Igus	43	32120-19	2	E-Ring
20	126-3715	1	Arm-Inner, LH	44	323-6	2	Screw-HH
21	126-3716	1	Arm-Inner, RH	45	3296-39	2	Nut-Lock, NI
22	116-1399	2	Locknut	46	126-6200	2	Spacer
23	3256-24	2	Washer-Flat	47	126-6395	4	Pin-Clevis, Spring

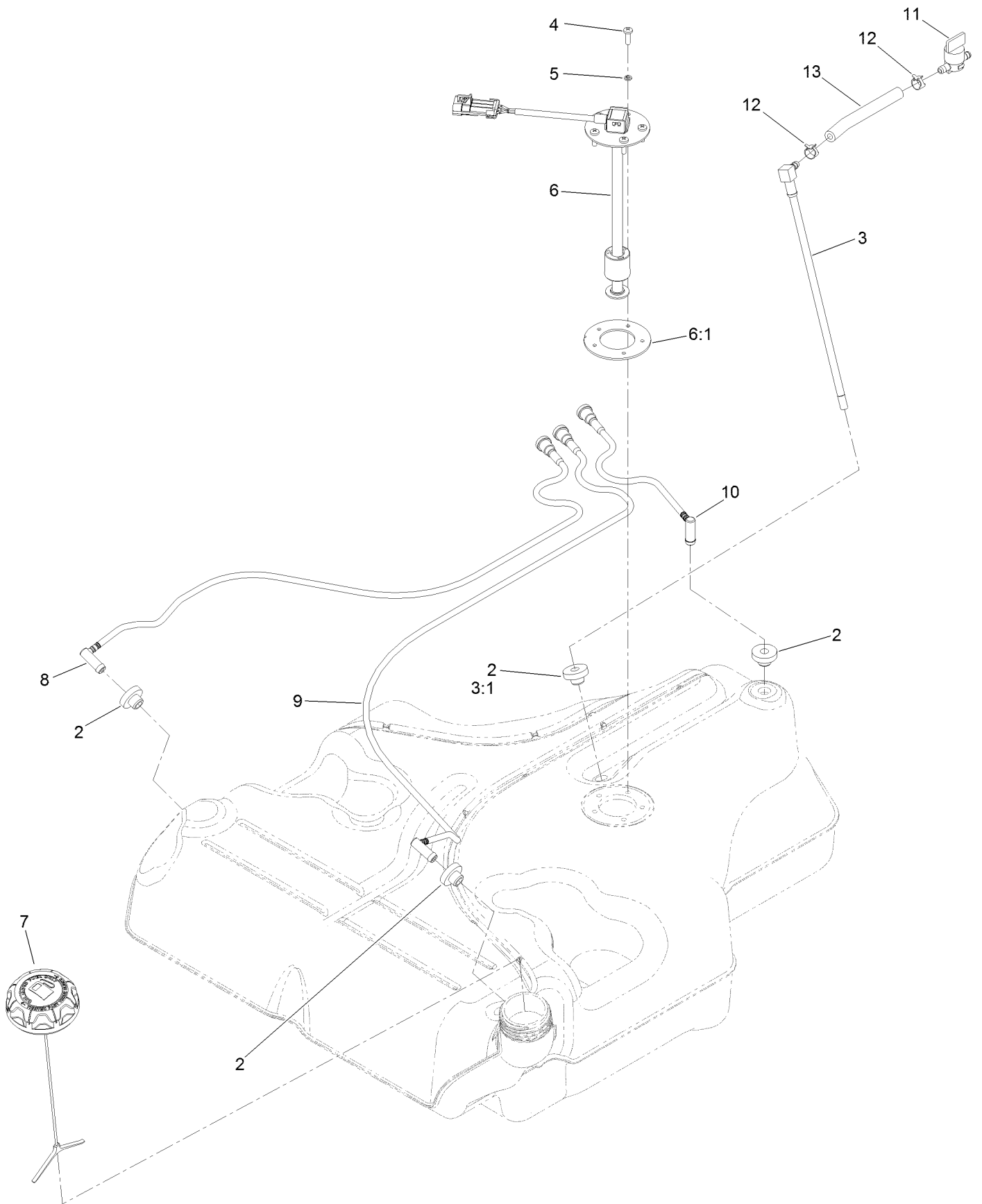
# Fuel System Assembly



## Fuel System Assembly (continued)

<i>Ref.</i>	<i>Part Number</i>	<i>Qty.</i>	<i>Description</i>	<i>Ref.</i>	<i>Part Number</i>	<i>Qty.</i>	<i>Description</i>
1	126-6494	1	Fuel Tank ASM	6	125-8067	1	Plug-Plastic
2	3218-1	2	Nut-Jam	21	98-2952	1	Fitting-Straight
3	116-6380	2	Bumper-Rubber (W/ Stud)	22	116-5087	1	Hose-Fuel
5	127-0583	1	Fuel Manifold Vent ASM	24	105-1853	1	Clamp-Hose
5:2	109-0302	3	Hose-Fuel	25	116-6005	1	Retainer-Line, Vapor
5:3	108-5376	1	Hose-Fuel				

# Fuel Tank Assembly No. 126-6494

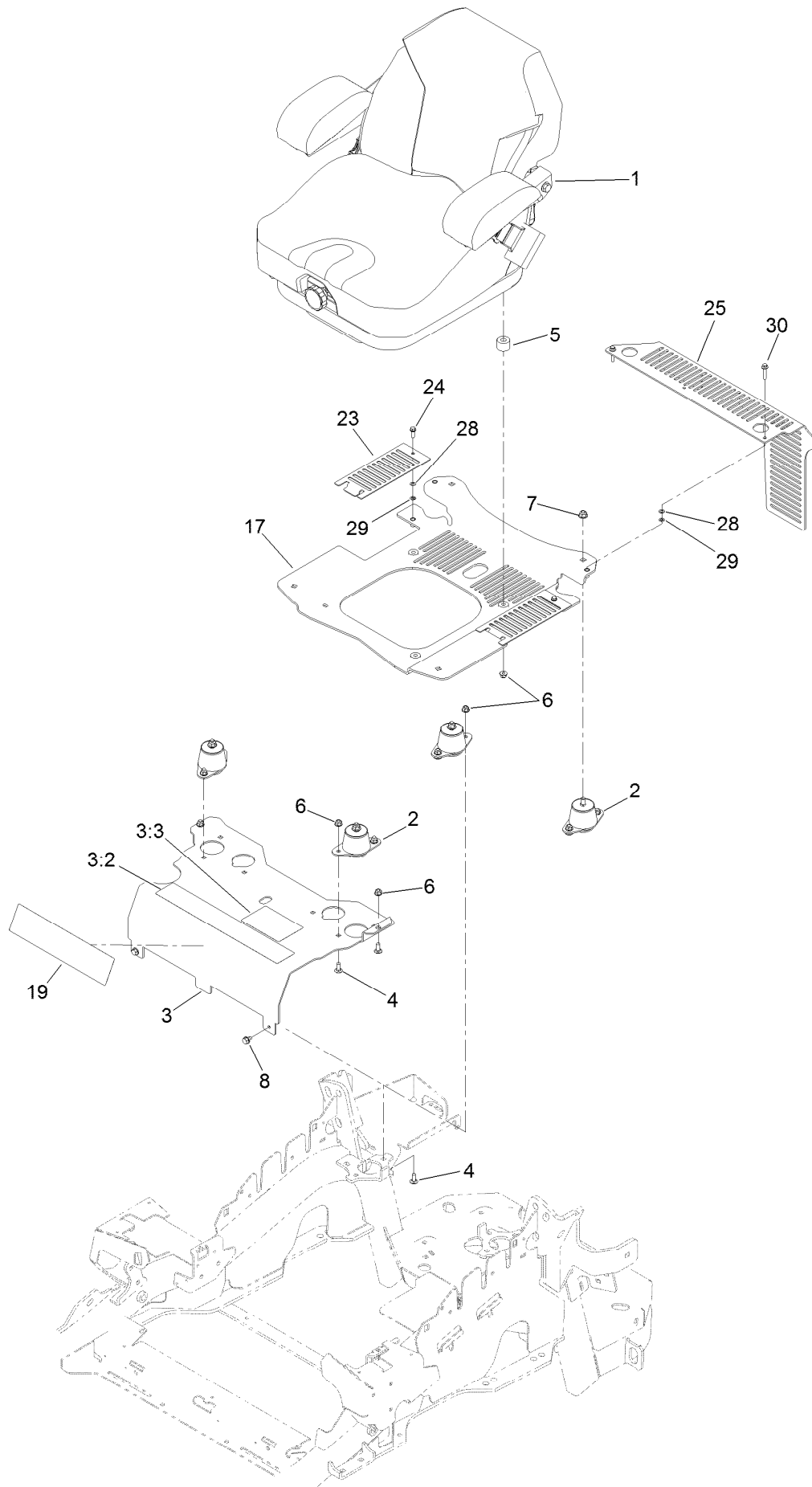




## Fuel Tank Assembly No. 126-6494 (continued)

<i>Ref.</i>	<i>Part Number</i>	<i>Qty.</i>	<i>Description</i>	<i>Ref.</i>	<i>Part Number</i>	<i>Qty.</i>	<i>Description</i>
2	46-6560	4	Bushing	8	116-2460	1	RH Vent Line Kit (With Grommet)
3	116-2459	1	Fuel Line Kit (With Grommet)	9	116-2461	1	LH Vent Line Kit (With Grommet)
3:1	46-6560	1	Bushing	10	116-2462	1	Rear Vent Line Kit (With Grommet)
4	3290-500	5	Screw-PPH	11	1-603770	1	Valve-Fuel
5	3253-17	5	Washer-Lock	12	2412-98	2	Clamp-Hose
6	126-3913	1	Float-Sender, Fuel	13	109-0650	1	Hose-Fuel
6:1	126-3950	1	Gasket-Sender				
7	126-1789	1	Cap-Fuel, Ratcheting				

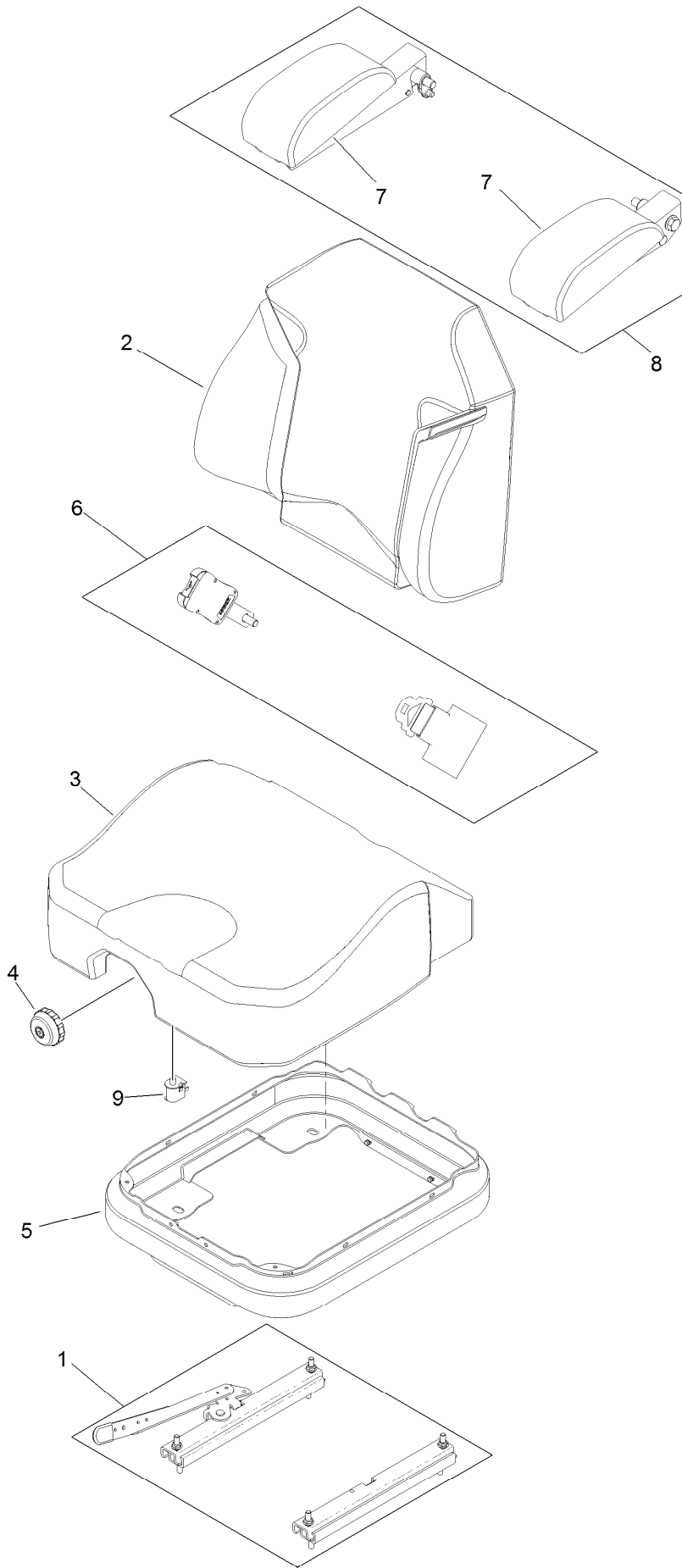
# Seat Mounting Assembly



## Seat Mounting Assembly (continued)

<i>Ref.</i>	<i>Part Number</i>	<i>Qty.</i>	<i>Description</i>	<i>Ref.</i>	<i>Part Number</i>	<i>Qty.</i>	<i>Description</i>
1	125-3107	1	Suspension Seat ASM	8	9266934	2	Screw
2	109-9034	4	Isolator-Seat	17	117-0910	1	Seat Base ASM
3	116-2324	1	Mount-Seat	19	119-2507	1	Decal
3:2	114-4468	1	Decal-Console	23	117-0901-03	2	Cover
3:3	125-9383	1	Decal-Service Aid	24	32105-15	2	Screw-HWH
4	3230-23	11	Screw-CARR	25	119-4241-03	1	Guard-CE
5	116-9329	4	Spacer	28	3256-60	4	Washer-Flat
6	104-8300	18	Nut-Flange, NI	29	106-8737	4	Nut-Retainer
7	104-8301	4	Nut-Flange, NI	30	3234-21	2	Screw-HHF

# Seat Assembly No. 125-3107



## Seat Assembly No. 125-3107 (continued)

<i>Ref.</i>	<i>Part Number</i>	<i>Qty.</i>	<i>Description</i>	<i>Ref.</i>	<i>Part Number</i>	<i>Qty.</i>	<i>Description</i>
1	116-8910	1	Seat Track Set	6	126-2061	1	Seat Belt Service Kit
2	125-3112	1	Cover-Back	7	109-9802	1	Arm Rest Pad Set
3	125-3111	1	Cover-Cushion	8	109-9803	1	Arm Rest Set
4	116-8911	1	Knob-Adjuster	9	82-2190	1	Switch-Bail
5	116-5659	1	Cover-Suspension Bellows				

# Motion Control Assembly

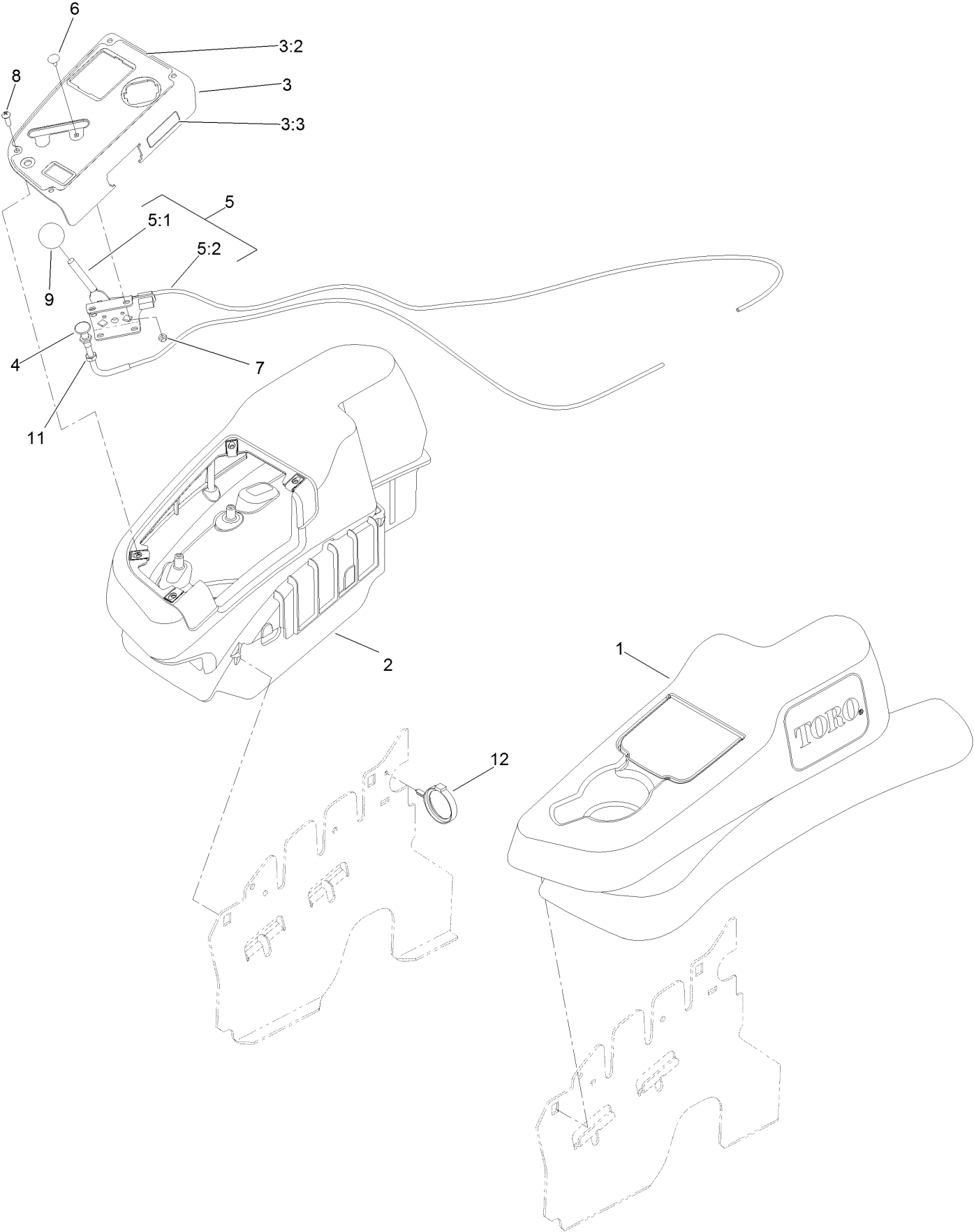


## Motion Control Assembly (continued)

<i>Ref.</i>	<i>Part Number</i>	<i>Qty.</i>	<i>Description</i>	<i>Ref.</i>	<i>Part Number</i>	<i>Qty.</i>	<i>Description</i>
1	116-0880	1	RH Motion Control And Bushing ASM	14	109-6589	1	RH Steering Handle ASM
1:2	109-8054	4	Bushing-Flange	14:1	109-5668	1	Grip-Control, Lever
2	116-0881	1	LH Motion Control And Bushing ASM	15	109-6590	1	LH Steering Handle ASM
2:2	109-8054	4	Bushing-Flange	15:1	109-5668	1	Grip-Control, Lever
3	116-0648	2	Screw-HH, Thread Locking ●	16	104-8301	4	Nut-Flange, NI
4	109-4581	2	Arm-Control, Pump	17	323-7	4	Screw-HH
5	9080046	2	Screw-HH ●	18	109-5575	2	Spring-Leaf
6	1-303435	2	Washer-Spring	19	109-8107	2	Pump Linkage Rear ASM
7	116-0027	2	Damper-Control, Motion	19:2	3219-2	2	Nut-Hex
8	104-8300	8	Nut-Flange, NI	19:3	1-323245	2	Spring-Compression
9	3230-2	2	Bolt-CARR	19:4	1-633152	1	Balljoint-LH
10	109-5891	2	Hub-Threaded	19:5	1-543017	1	Balljoint-RH
11	325-12	2	Screw-HH	20	109-9505	4	Washer-Spring
12	116-0039	1	Lever-Control Motion, RH	21	3256-6	2	Washer-Flat
13	116-0040	1	Lever-Control Motion, LH	22	32128-56	2	Nut-HF
				23	3256-23	2	Washer-Flat
				24	3218-5	2	Nut-Jam
				25	115-1794	2	Screw-HHF

● Use Pro-Lock, Nut Type (P/N 1-840022, .5ml tube) on threads.

# Fender, Console and Control Assembly

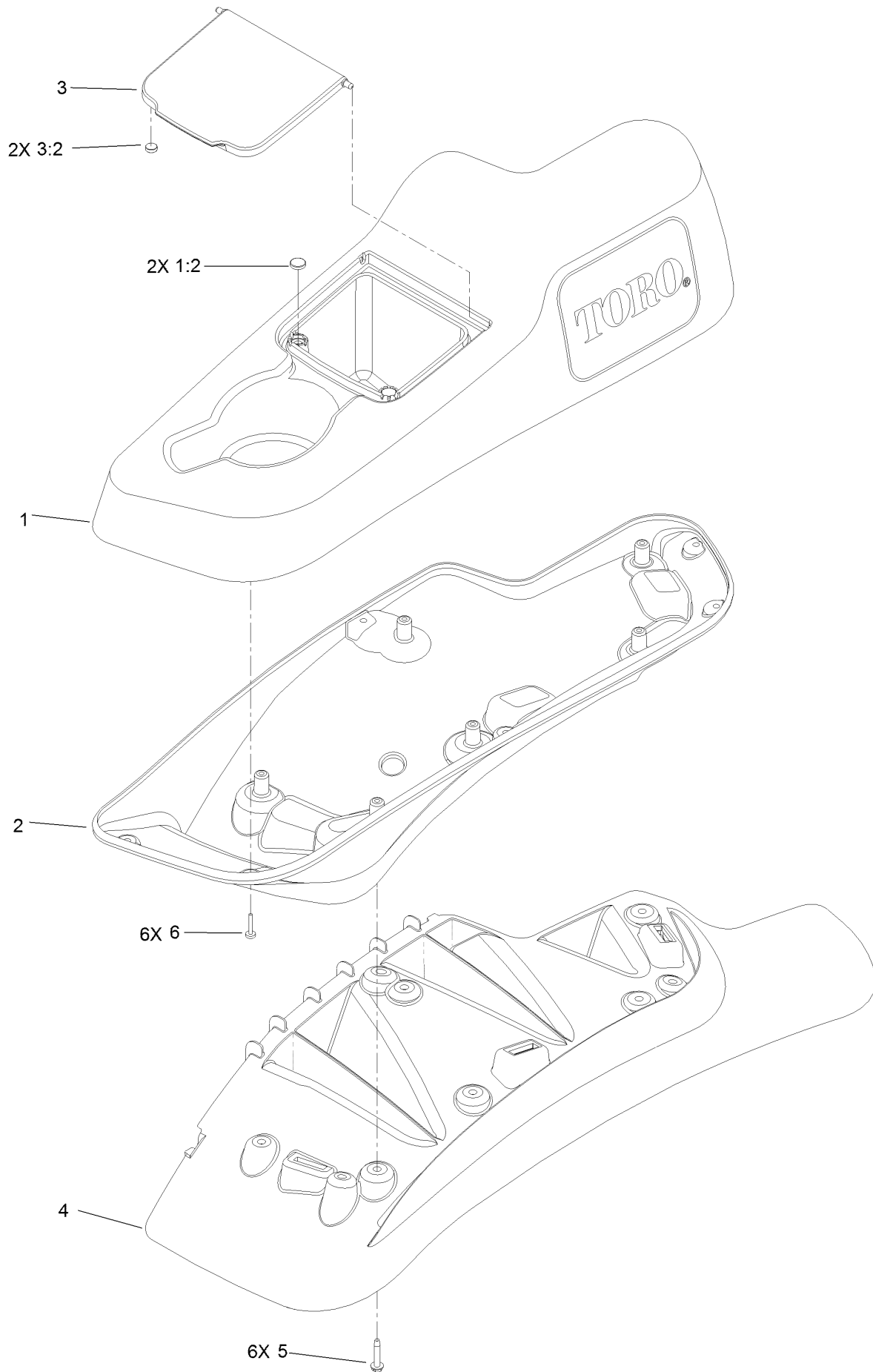




## Fender, Console and Control Assembly (continued)

<i>Ref.</i>	<i>Part Number</i>	<i>Qty.</i>	<i>Description</i>	<i>Ref.</i>	<i>Part Number</i>	<i>Qty.</i>	<i>Description</i>
1	115-7403	1	LH Narrow Fender/Console ASM	5:1	112-2334	1	Lever-Throttle
2	115-7402	1	RH Narrow Fender/Console ASM	5:2	110-5728	1	Cable-Throttle
3	114-9837	1	Control Panel ASM	6	1-807513	2	Bolt-CARR
3:2	120-5898	1	Decal-Control Panel	7	3296-2	2	Nut-Lock, NI
3:3	114-4466	1	Decal-Fuses	8	32105-15	4	Screw-HWH
4	115-2753	1	Control-Choke	9	1-603175	1	Knob-Ball
5	110-5727	1	Throttle Control ASM	11	3220-3	1	Nut-HJ
				12	117-7817	1	Clamp-Harness

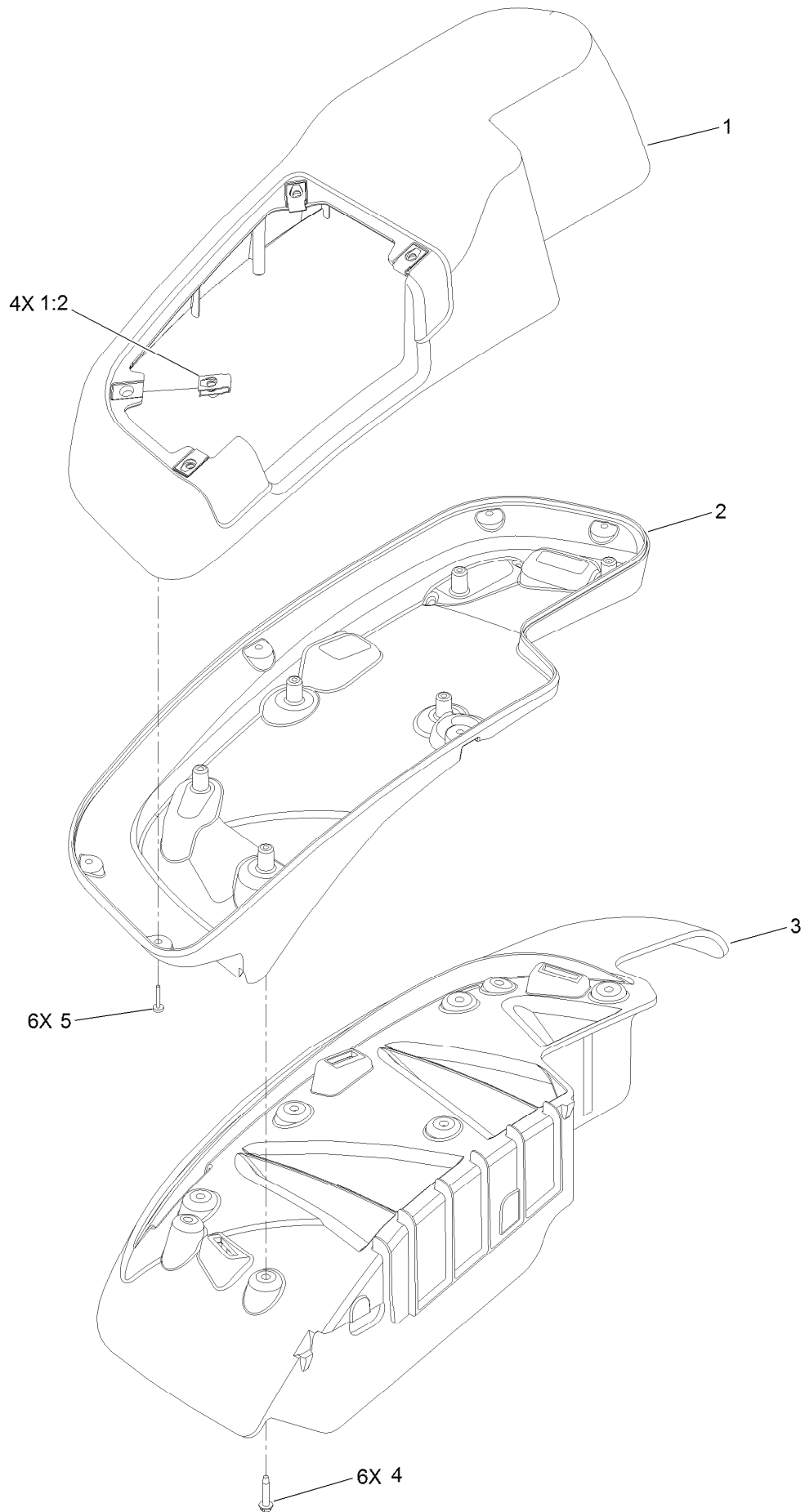
# LH Console Assembly No. 115-7403



## LH Console Assembly No. 115-7403 (continued)

<i>Ref.</i>	<i>Part Number</i>	<i>Qty.</i>	<i>Description</i>	<i>Ref.</i>	<i>Part Number</i>	<i>Qty.</i>	<i>Description</i>
1	114-1541	1	LH Console Top ASM	3:2	114-5896	2	Magnet
1:2	117-0883	2	Puck	4	109-9080	1	Fender-LH
2	114-9821	1	LH Lower Console ASM	5	32144-89	6	Screw-Thread Forming
3	114-1536	1	Lid ASM	6	117-0347	6	Screw-PPH

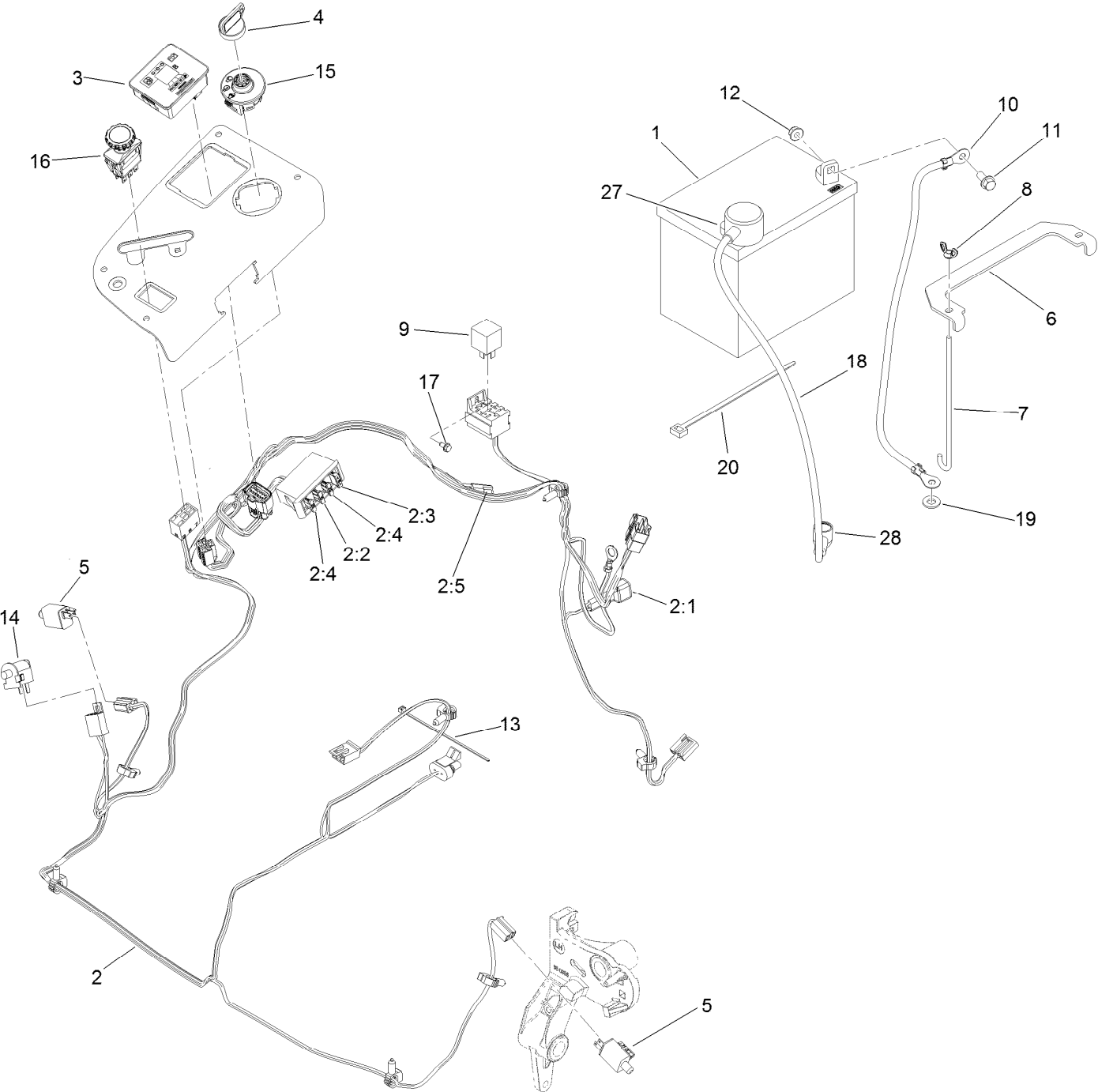
# RH Console Assembly No. 115-7402



## RH Console Assembly No. 115-7402 (continued)

<i>Ref.</i>	<i>Part Number</i>	<i>Qty.</i>	<i>Description</i>	<i>Ref.</i>	<i>Part Number</i>	<i>Qty.</i>	<i>Description</i>
1	114-1542	1	RH Console Top ASM	3	109-9077	1	Fender-Narrow, RH
1:2	107069	4	Clip	4	32144-89	6	Screw-Thread Forming
2	114-9823	1	Console-Narrow, RH	5	117-0347	6	Screw-PPH

# Electrical System Assembly

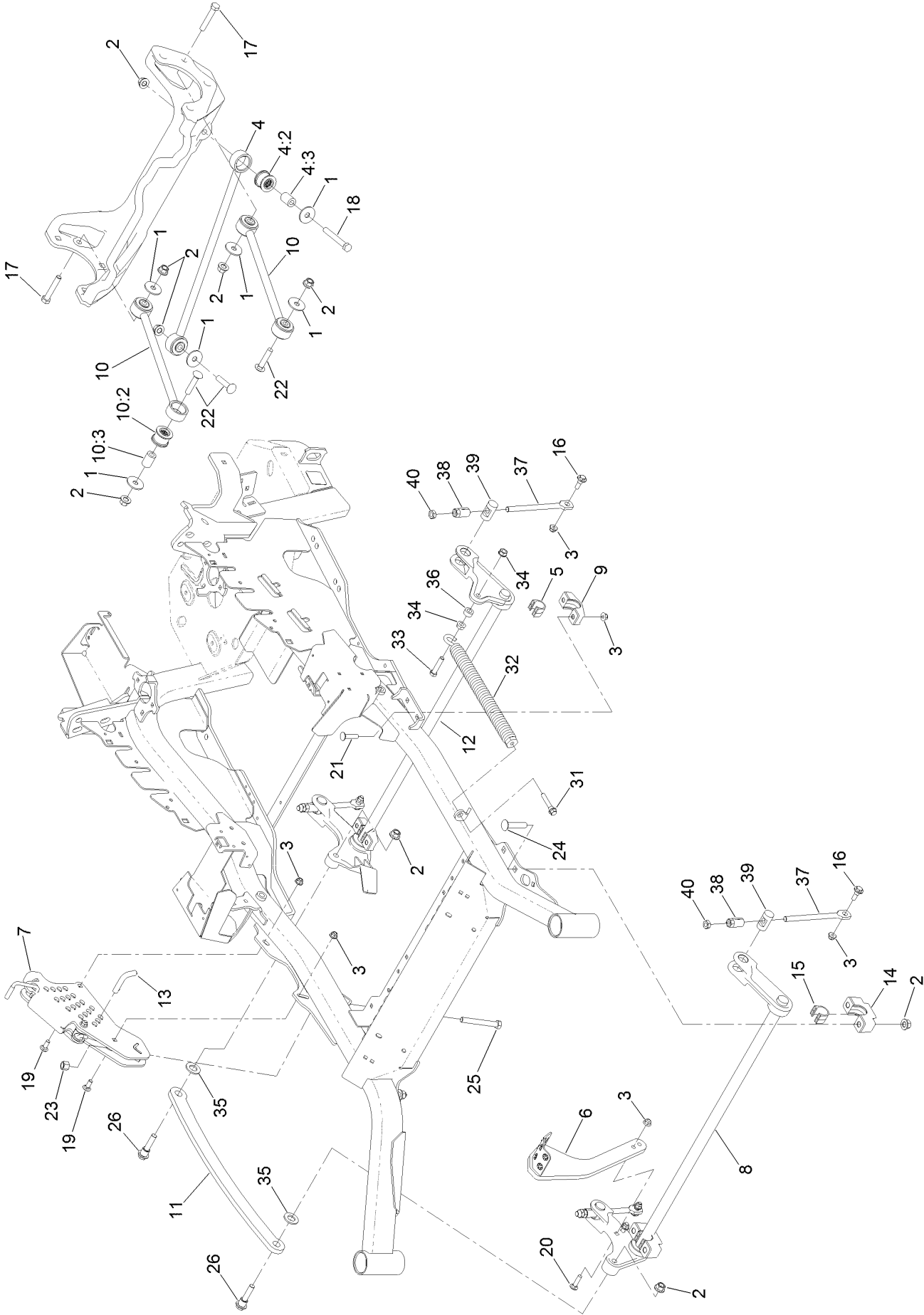


## Electrical System Assembly (continued)

<i>Ref.</i>	<i>Part Number</i>	<i>Qty.</i>	<i>Description</i>	<i>Ref.</i>	<i>Part Number</i>	<i>Qty.</i>	<i>Description</i>
1	104-8162	1	Battery-Dry	10	114-1218	1	Cable-Battery, Negative
2	116-6009	1	Harness-Wire, Main ●	11	3234-5	2	Screw-HHF
2:1	103-3895	1	Diode	12	104-8300	2	Nut-Flange, NI
2:2	218-578	1	Fuse-Blade, 10 Amp	13	1-303287	3	Tie-Cable
2:3	109355	1	Fuse-Blade, 15 Amp	14	82-2190	1	Switch-Bail
2:4	109102	2	Fuse-Blade, 25 Amp	15	117-2221	1	Switch-Ignition
2:5	116-0053	1	Cap-Plug	16	116-0124	1	Switch-PTO, 10 Amp
3	117-3882	1	Fuel/Hour Meter ASM	17	104-2065	1	Screw-HWH
4	63-8360	1	Key-Ignition	18	115-3864	1	Cable-Battery, Positive
5	110-6765	2	Switch	19	3256-24	1	Washer-Flat
6	116-0042-03	1	Strap-Tie Down, Battery	20	1-303335	1	Tie-Plastic
7	1-633651	2	Bolt-Holddown	27	109-2407	1	Insulator-Battery
8	1-543792	2	Wingnut	28	1-543393	1	Insulator-Solenoid
9	1-643275	1	Relay				

● Use dielectric grease on all unsealed connectors and terminals only. Do not apply in sealed connectors.

# Deck Lift Assembly

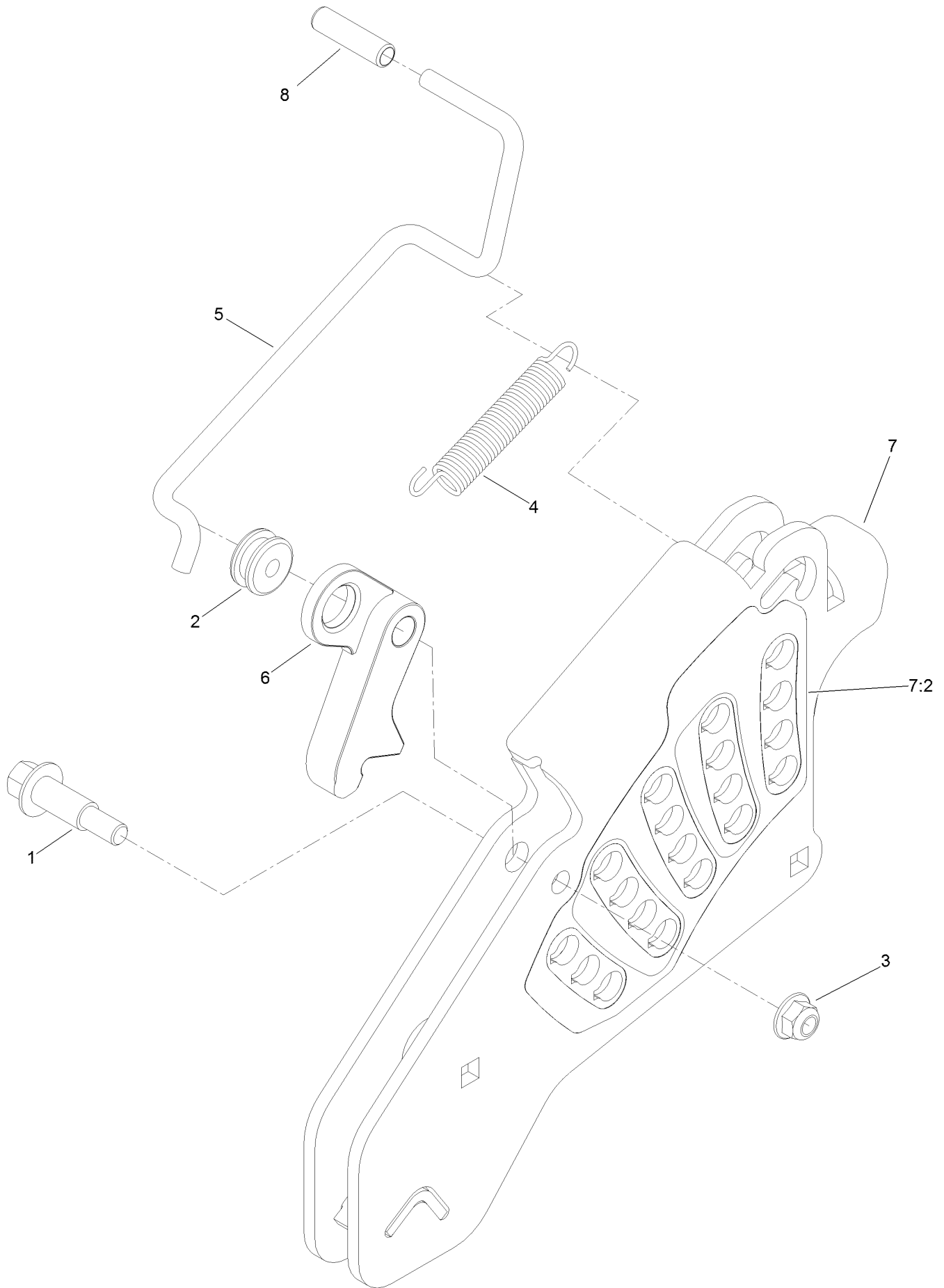




## Deck Lift Assembly (continued)

<i>Ref.</i>	<i>Part Number</i>	<i>Qty.</i>	<i>Description</i>	<i>Ref.</i>	<i>Part Number</i>	<i>Qty.</i>	<i>Description</i>
1	86-1990	6	Washer-Thrust	15	109-9410	2	Bearing-Cross Shaft, Front
2	99-5107	12	Nut-Lock	16	109-9840	4	Screw-Shoulder, HHF
3	104-8301	12	Nut-Flange, NI	17	325-12	2	Screw-HH
4	109-5013	1	Panhard Rod ASM	18	325-17	1	Screw-HH
4:2	109-5009	2	Bushing-Suspension, Rubber	19	3231-2	2	Bolt-CARR
4:3	109-5010	2	Spacer	20	3231-4	2	Screw-CARR
5	109-7173	2	Bearing-Cross Shaft, Rear	21	3231-7	4	Screw-CARR
6	116-1919-01	1	Lever-Foot	22	3233-34	3	Screw-CARR
7	117-3842	1	Height-Of-Cut ASM	23	3296-23	1	Nut-Lock, NI
8	126-2477-03	1	Decklift-Front	24	116-1700	4	Bolt-CARR
9	127-0553	2	Support-Cross Shaft, Bearing Rear	25	116-0559	1	Bolt-TAP
10	109-7952	2	Deck Strut ASM	26	116-2022	2	Screw-HHF, Shoulder
10:2	109-5009	2	Bushing-Suspension, Rubber	31	92-7674	1	Bolt-Shoulder
10:3	109-5010	2	Spacer	32	116-0886	1	Extension Spring ASM
11	116-0797-03	1	Link-Lift, Deck	33	109-9065	1	Screw-HH
12	116-2645-03	1	Lift-Deck, Rear	34	32128-37	2	Nut-HF
13	116-5584	1	Pin-HOC	35	3256-28	2	Washer-Flat
14	109-9409	2	Support-Cross Shaft, Bearing	36	116-2695	1	Spacer
				37	109-8007	4	Link-Adjuster, Deck Lift
				38	109-7840	4	Adjuster-Lift, Deck
				39	109-8353	4	Trunnion
				40	3218-5	4	Nut-Jam

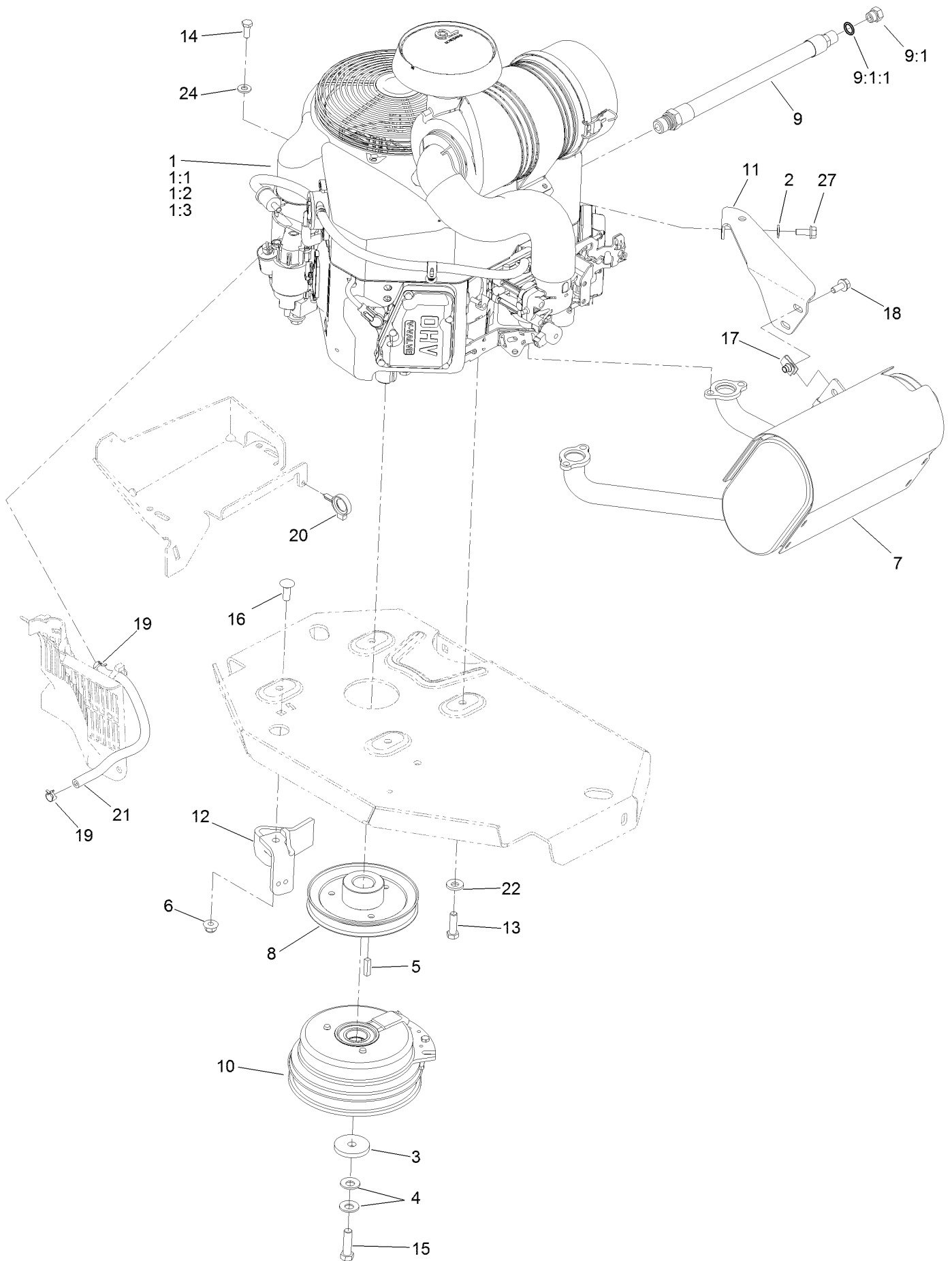
# Height-of-Cut Assembly No. 117-3842



## Height-of-Cut Assembly No. 117-3842 (continued)

<i>Ref.</i>	<i>Part Number</i>	<i>Qty.</i>	<i>Description</i>	<i>Ref.</i>	<i>Part Number</i>	<i>Qty.</i>	<i>Description</i>
1	62-1330	1	Bolt-Shoulder	6	116-0118	1	Pawl-Transport, HOC
2	109-7130	1	Grommet	7	117-3837	1	Plate-Height Adjuster
3	104-8301	1	Nut-Flange, NI	7:2	114-4470	1	Decal-HOC
4	109-7124	1	Spring-Extension	8	109-8250	1	Grip-Lever
5	109-7128	1	Rod-Lock, Transport				

# Engine, Clutch and Muffler Assembly



## Engine, Clutch and Muffler Assembly (continued)

<i>Ref.</i>	<i>Part Number</i>	<i>Qty.</i>	<i>Description</i>	<i>Ref.</i>	<i>Part Number</i>	<i>Qty.</i>	<i>Description</i>
1		1	Engine-Kawasaki, Fx651V-S07-R ■▲	9:1	353-508	1	Plug-HH ●
1:1		1	Kawasaki 49065-7007 Engine Oil Filter ▲■	9:1:1	237-42	1	O-Ring
1:2		1	Kawasaki 11013-7044 Engine Air Filter ▲■	10	116-1620	1	Clutch Kit
1:3		1	Kawasaki 11013-7045 Safety Filter ▲■	11	116-1435	1	Bracket-Muffler
2	1-303334	1	Washer-Spring	12	116-2612-01	1	Clutch-Anchor
3	109-6919	1	Washer-Clutch	13	323-7	4	Screw-HH
4	1-603610	2	Washer-Spring	14	33114-020	1	Screw-HH
5	1-807259	1	Key	15	109-9761	1	Screw-HH □
6	104-8301	1	Nut-Flange, NI	16	3231-22	1	Screw-CARR
7	116-1715	1	Muffler	17	94-2413	2	Nut-U
8	109-9905	1	Sheave	18	3234-5	2	Screw-HHF
9	116-4924	1	Engine Oil Drain Hose ASM ◆	19	2412-98	2	Clamp-Hose
				20	105-1853	1	Clamp-Hose
				21	109-0296	1	Hose-Fuel
				22	98-5975	4	Washer-Belleville
				24	33094-00	1	Washer-Plain
				27	95-4184	1	Screw-HHF

● Torque to 24-26 ft-lb

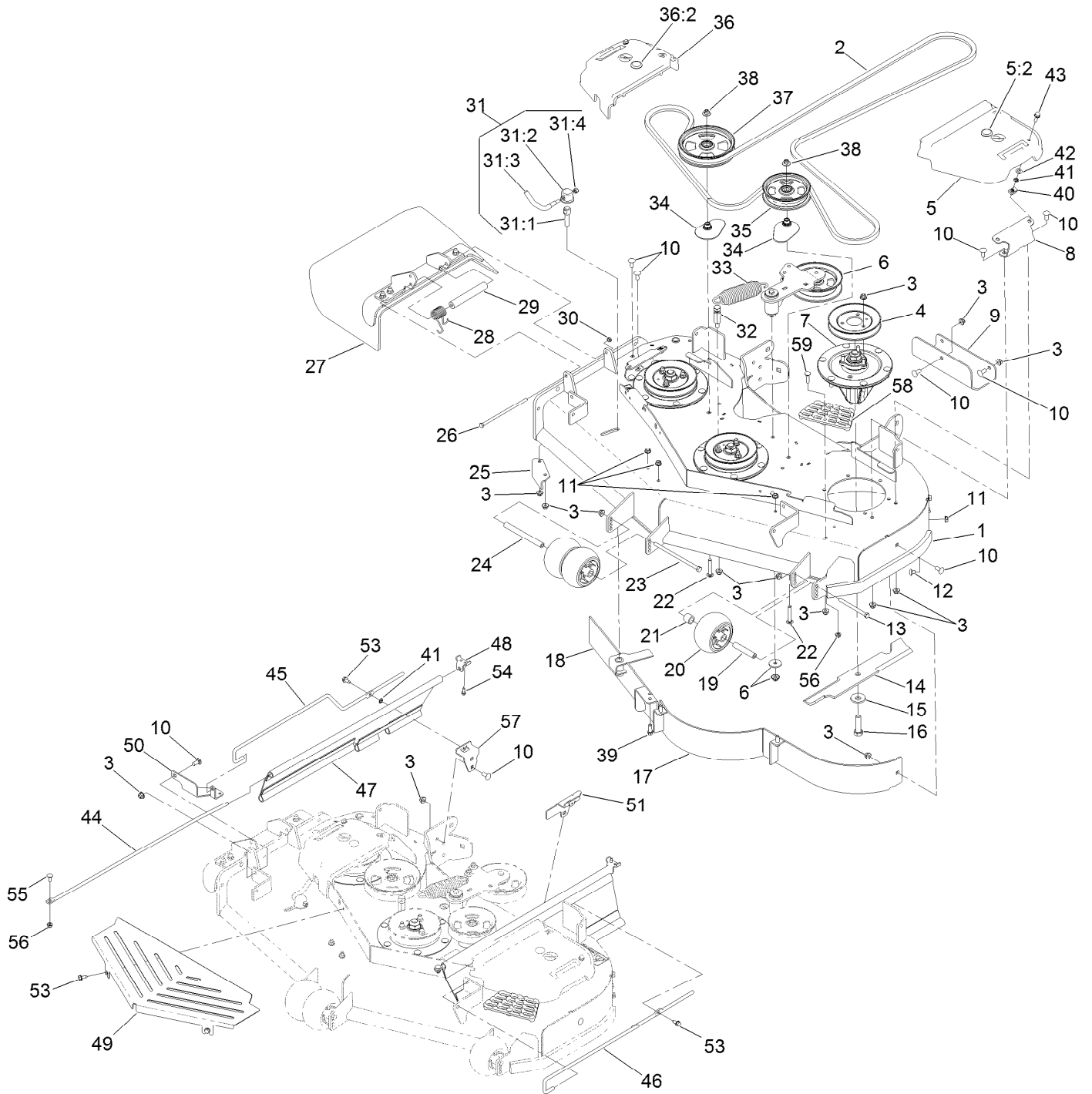
▲ Obtain parts from [www.kawpowerepc.com](http://www.kawpowerepc.com)

◆ Use a Teflon Pipe Sealant or equivalent on threads.

□ Use Pro-Lock, Nut Type (P/N 1-840022, .5ml tube) on threads.

■ Not serviced separately

# Deck Assembly

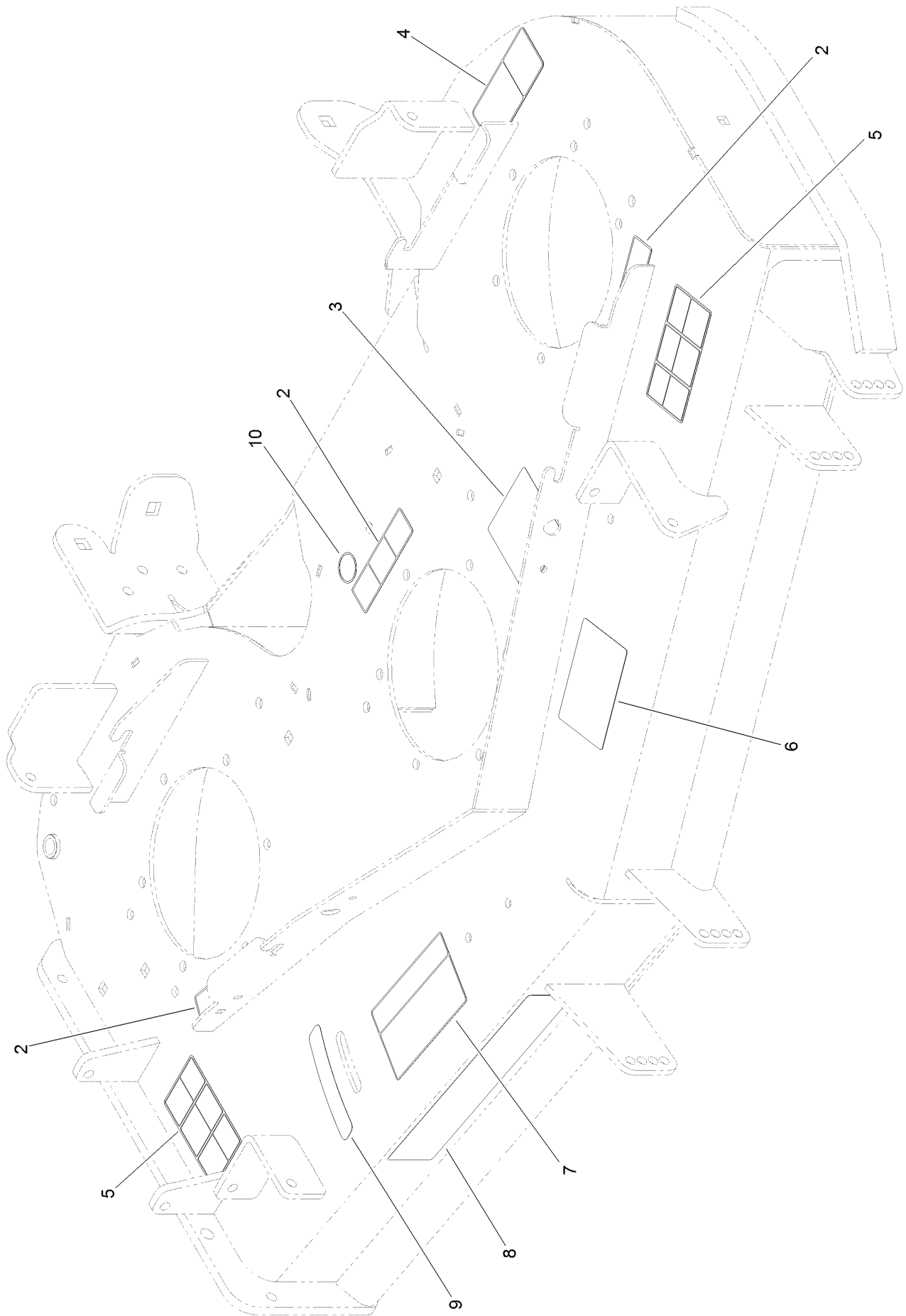


## Deck Assembly (continued)

<i>Ref.</i>	<i>Part Number</i>	<i>Qty.</i>	<i>Description</i>	<i>Ref.</i>	<i>Part Number</i>	<i>Qty.</i>	<i>Description</i>
1	131-7673	1	Deck Decal ASM	31:2	107-1644	1	Cap-Lock
2	115-7407	1	Belt-V	31:3	106-3241	1	Lever-Lock
3	104-8301	44	Nut-Flange, NI	31:4	3296-29	1	Nut-Lock, NI
4	115-7440	3	Pulley	32	114-5867	1	Anchor-Spring, Tall
5	117-7814	1	LH Belt Cover ASM	33	116-6317	1	Spring-Extension
5:2	117-3824	1	Plug-Plastic	34	109-2872	2	Spacer-Pulley
6		1	Idler Arm ASM ●	35	136-5405	1	Pulley-Idler, Flat
7	127-0560	3	Spindle ASM (No Grease)	36	117-7813	1	RH Belt Cover ASM
8	114-5881-01	2	Bracket-Cover, Belt	36:2	117-3824	1	Plug-Plastic
9	121-7975-01	1	Plate-Skid	37	136-5404	1	Pulley-Idler, Flat
10	3231-27	14	Screw-CARR	38	109-6658	2	Nut-Flange, NI
11	3290-357	6	Nut-HHF, Whiz	39	92-1624	3	Screw-HWH
12	108-5387	3	Screw-CARR	40	94-2413	2	Nut-U
13	323-23	1	Screw-HH	41	117-2749	4	Nut-Push
14	107-3192-03	3	Blade-16.5 Inch (High Flow)	42	73-0041	2	Washer-Thrust
15	103-0865	3	Washer-Blade Bolt, Heavy	43	3234-29	2	Screw-HHF
16	51-4060	3	Screw-Blade	44	131-3987	2	Rod-Support, Upper
17	114-5862-01	1	Baffle	45	131-4191	1	Rod-Support, Lower (RH)
18	131-1480-01	1	Adjustable Baffle ASM	46	131-4192	1	Rod-Support, Lower (LH)
19	98-7912	1	Tube-Spanner	47	131-7652	2	Guard-Side
20	1-603299	3	Roller-Scalp, Anti	48	131-4194-03	2	Bracket-Mounting, Upper
21	98-7913	1	Tube-Spacer	49	131-3979-03	1	Shield-Front
22	3231-40	2	Bolt-CARR, Short Neck	50	131-4195-03	1	Bracket-Mounting, Front
23	108-5388	1	Screw-HH	51	131-4196-03	1	Bracket-Mounting, Rear (LH)
24	98-5967	1	Spacer-Wheel	53	32144-70	4	Screw-HWHTF
25	107-8541-01	1	Baffle-Discharge	54	32144-10	2	Screw-HWH
26	322-50	1	Screw-HH	55	3230-23	2	Screw-CARR
27	108-2792	1	Rubber Deflector ASM	56	104-8300	3	Nut-Flange, NI
28	108-4052	1	Spring-Torsion	57	132-0920-03	1	Bracket-Mounting, Rear (RH)
29	105-4622	1	Spacer	58	126-4781-03	1	Step-Deck
30	3296-47	1	Nut-Lock, NI	59	3230-3	1	Screw-CARR
31	107-1664	1	Lever ASM				
31:1	106-3239	1	Screw-Lock				

● Not serviced separately

# Deck Decal Assembly No. 131-7673

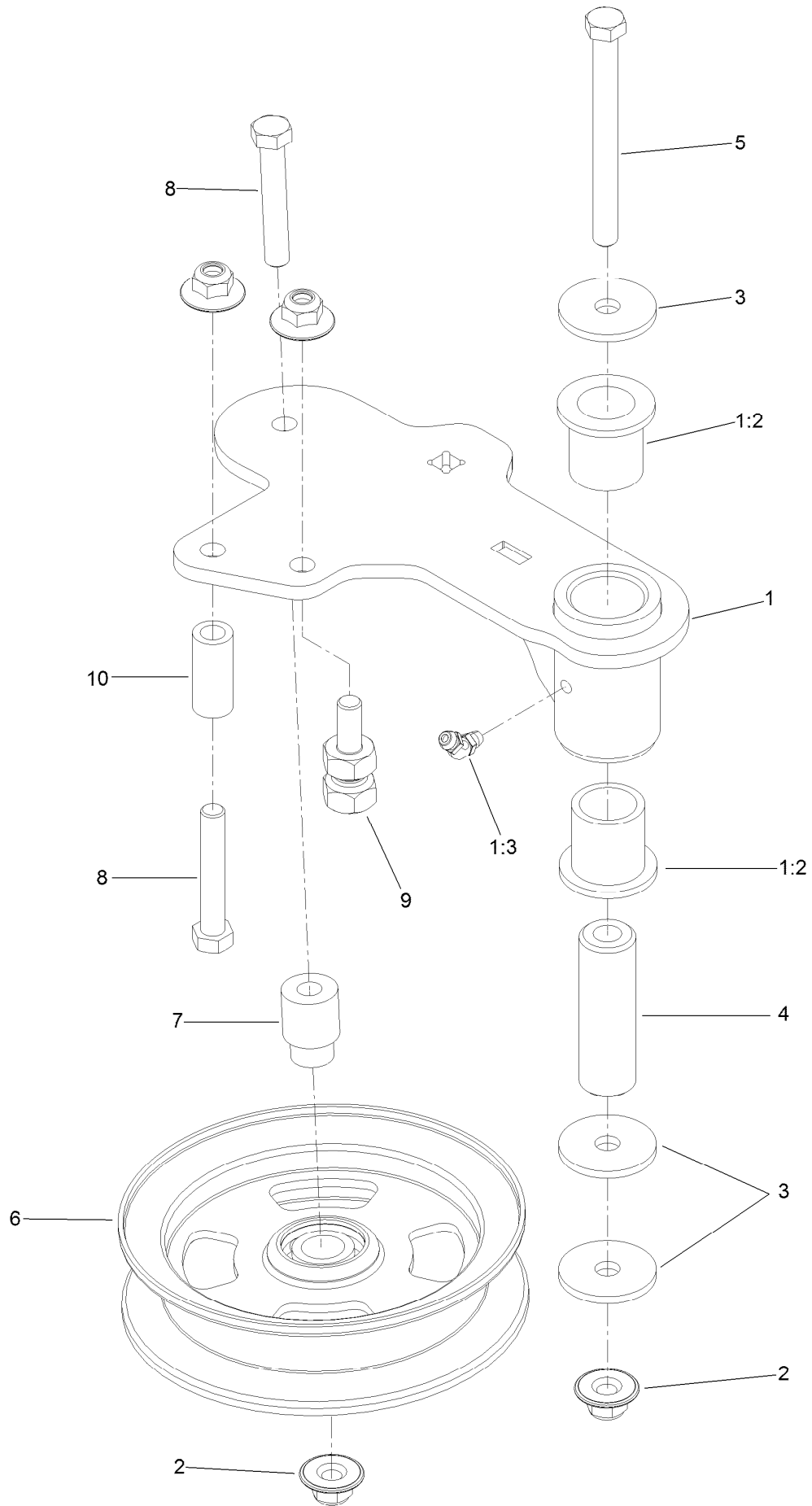




## Deck Decal Assembly No. 131-7673 (continued)

<i>Ref.</i>	<i>Part Number</i>	<i>Qty.</i>	<i>Description</i>	<i>Ref.</i>	<i>Part Number</i>	<i>Qty.</i>	<i>Description</i>
2	112-9028	3	Decal-Missing, Cover	7	110-2068	1	Decal-Adjustment, Baffle
3	136-5508	1	Decal-Routing, Deck Belt	8	107-1690	1	Decal
4	93-7818	1	Decal-Torque, Blade Bolt	9	110-2067	1	Decal-Setting, Baffle
5	117-3848	2	Decal-Danger	10	58-6520	1	Decal-Grease
6	127-0326	1	Decal-Anti Scalp				

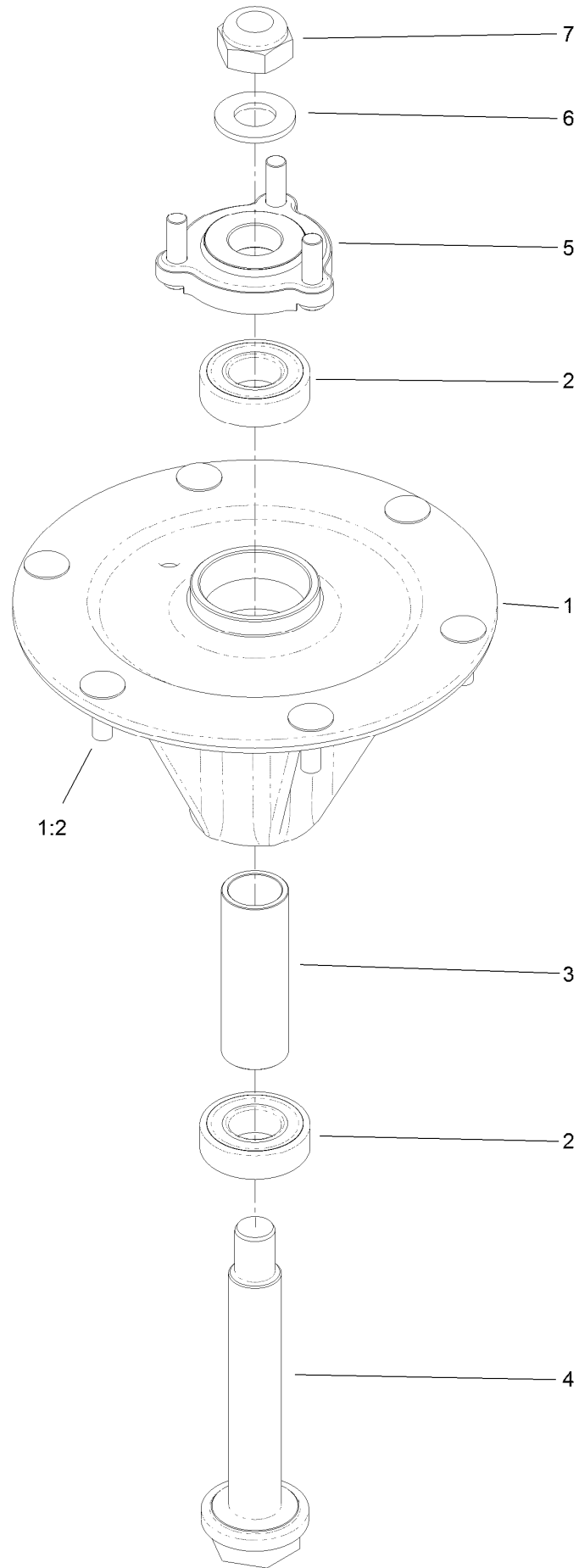
# Idler Arm Assembly



## Idler Arm Assembly (continued)

<i>Ref.</i>	<i>Part Number</i>	<i>Qty.</i>	<i>Description</i>	<i>Ref.</i>	<i>Part Number</i>	<i>Qty.</i>	<i>Description</i>
1	114-5870	1	Idler Arm ASM	5	98-5961	1	Screw-HH
1:2	1-303514	2	Bearing-Flanged	6	132-9425	1	Pulley-Idler, Flat
1:3	1481	1	Fitting-Grease	7	112-4212	1	Mount-Pulley
2	109-6658	4	Nut-Flange, NI	8	323-11	2	Screw-HH
3	1-213069	3	Washer	9	132-4729	1	Anchor-Spring, Short
4	114-5848	1	Spacer-Plain	10	104-0151	1	Spacer

# Spindle Assembly No. 127-0560

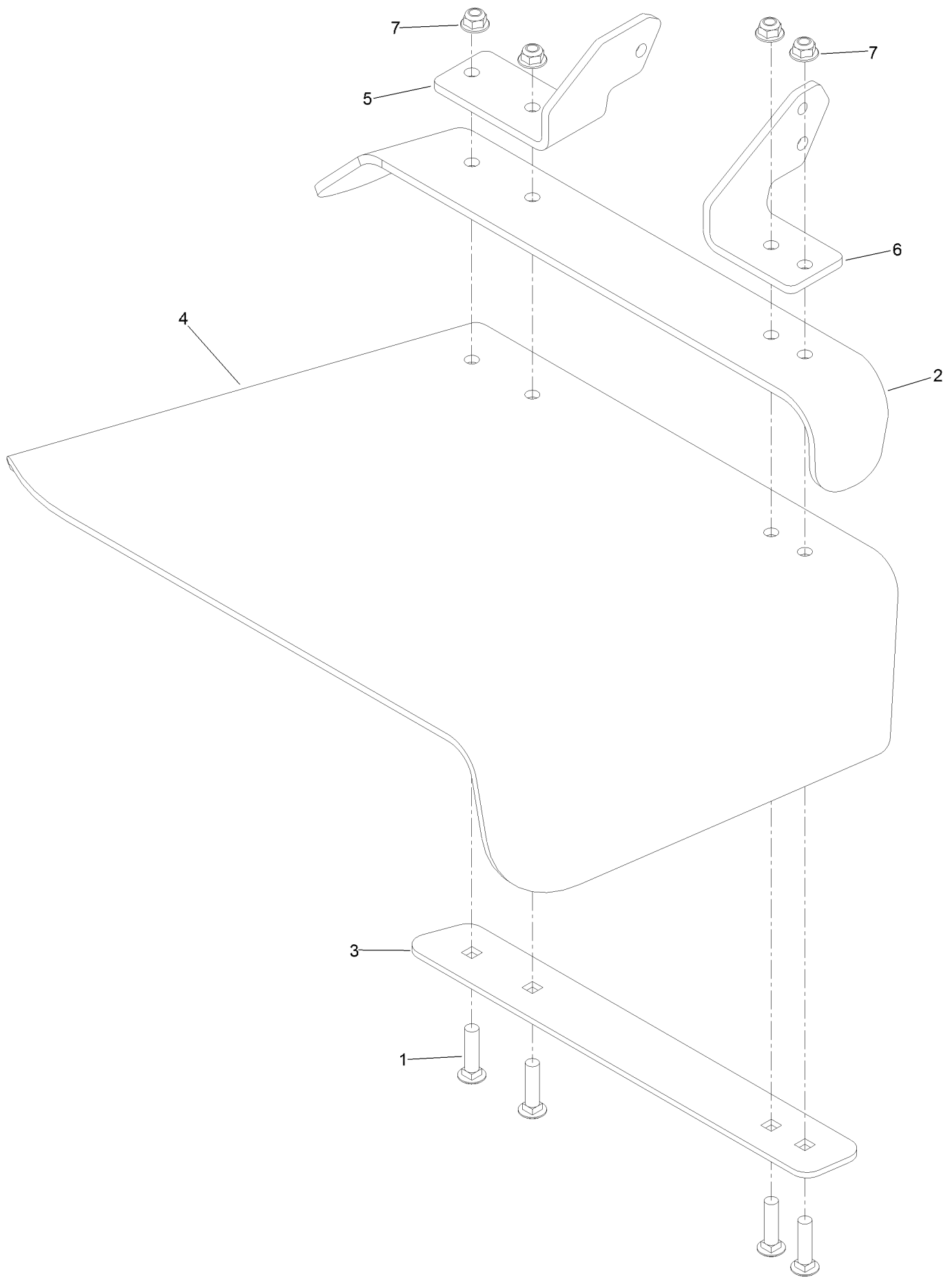


## Spindle Assembly No. 127-0560 (continued)

<i>Ref.</i>	<i>Part Number</i>	<i>Qty.</i>	<i>Description</i>	<i>Ref.</i>	<i>Part Number</i>	<i>Qty.</i>	<i>Description</i>
1		1	Spindle Housing ASM W/Studs ●	4	127-0556	1	Shaft-Spindle, Ball Bearing
1:2	114-8195	6	Bolt-Ribbed Neck	5	127-0557	1	Hub-Spindle (W/Studs)
2	116-0720	2	Bearing-Ball	6	92-5836	1	Washer
3	127-0554	1	Spacer-Bearing	7	3296-67	1	Nut-Lock, NI

● Not serviced separately

# Rubber Deflector Assembly No. 108-2792



# Rubber Deflector Assembly No. 108-2792 (continued)

<i>Ref.</i>	<i>Part Number</i>	<i>Qty.</i>	<i>Description</i>	<i>Ref.</i>	<i>Part Number</i>	<i>Qty.</i>	<i>Description</i>
1	3231-4	4	Screw-CARR	5	108-4059-01	1	Plate-Hinge, Rear
2	106-3246-01	1	Deflector	6	106-3253-01	1	Plate-Hinge, Front
3	106-3248-03	1	Strap-Discharge	7	104-8301	4	Nut-Flange, NI
4	108-5029	1	Deflector-Rubber				

# Attachments and Accessories

## For 74902TE Z Master Professional 6000 Series Riding Mower with 122cm TURBO FORCE Side Discharge Mower

<b>Product Name</b>	<b>Model/Part</b>
Recycler Kit .....	115-7466
Blower and Drive Kit .....	78551
E-Z Vac Twin Bagging System.....	78562
E-Z Vac DFS Collection System .....	78566
Deluxe Suspension Seat Kit .....	117-6174
Deluxe Seat Kit.....	121-7595
Operator Controlled Discharge Chute Kit.....	117-3600
Bimini Folding Shade Assembly .....	115-4510
Z Stand Kit.....	121-4811
Seat Cover W/arm rest .....	117-0095
Blade-Lo Flow, 16.5in (6 Pack) .....	110-0415
Blade-Low Flow, 16.5in.....	107-3193-03
Light Kit.....	116-1154
Hitch Kit .....	109-9487
Blade-Mid Flow, 16.5in (6 Pack) .....	110-0418
Blade-Mid Flow, 16.5in .....	107-3194-03
Trash Holder Kit.....	TC26
Blade-Hi Flow, 16.5in (6 Pack).....	110-0414
Blade-Hi Flow, 16.5in.....	107-3192-03
Blade-Recycler, 16.5in (6 Pack).....	110-0416
Blade-Recycling, 16.5in.....	107-3196-03
Blade-Atomic, 16.5in (6 Pack) .....	110-0417
Blade-Atomic, 16.5in .....	107-3195-03
Spark Arrestor Screen .....	75-6880
Hypr-Oil 500 (quart) .....	114-4713
Hypr-Oil 500 (gallon).....	114-4714
Hypr-Oil 500-5 (5 gallon).....	114-4715
Roller Striper Kit.....	115-7470
CE Bagger Compliance Kit .....	127-0336
Filter Minder Gauge .....	99-4664
Toro Deluxe Rider Cover.....	490-7319
Anti-Scalp Kit (Trim Side).....	108-4140
Seat Tilt Frame And Iso Mount Kit.....	121-7596
Jack Mount Kit .....	127-6665
Jack Kit.....	127-6666



**Notes:**

**Notes:**

**Notes:**



**Count on it.**