



TimeCutter® SW Riding Mower

Model No. SW TimeCutter Models

Setup Instructions

Setup

Loose Parts

Use the chart below to verify that all parts have been shipped.

Procedure	Description	Qty.	Use
1	No parts required	–	Connect the battery.
2	Rear hitch Bolt (5/16 x 1 inch) Locknut (5/16 inch)	1 2 2	Install the rear hitch.
3	Steering wheel Top cover Locknut Rear cover Screws	1 1 1 1 2	Install the steering wheel.
4	Seat assembly Seat rod Hairpin cotter pins Spacers (certain models only)	1 1 2 2	Install the seat assembly.
5	Grass deflector (if not installed)	1	Install the grass deflector.
6	No parts required	–	Check the mower adjustment.
7	Ignition key Hose coupling (not included with CE models) Operator's Manual Engine Owner's Manual (non-Toro engines) KeyChoice® key (blue)	1 1 1 1 1	Complete the setup.

Note: Determine the left and right sides of the machine from the normal operating position.



1

Connecting the Battery

No Parts Required

Procedure

⚠ WARNING

CALIFORNIA Proposition 65 Warning

Battery posts, terminals, and related accessories contain lead and lead compounds, chemicals known to the State of California to cause cancer and reproductive harm. Wash hands after handling.

1. Locate the battery and negative battery cable.
2. Remove the plastic cap from the negative battery post.
3. Remove the fasteners on the negative battery cable, and use them to secure the negative battery cable to the negative battery post (Figure 1).

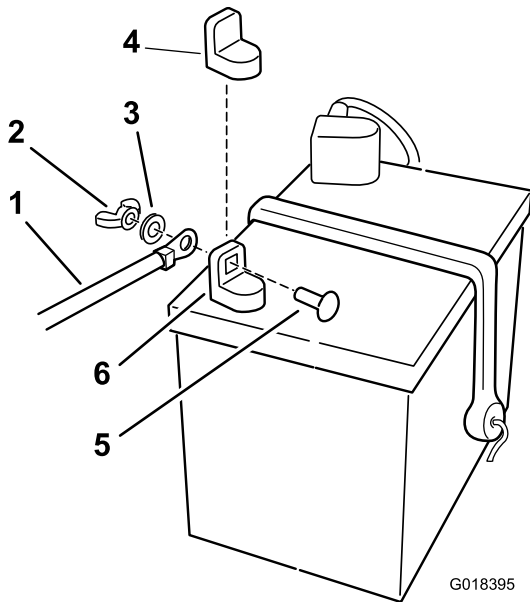


Figure 1

- | | |
|---------------------------|------------------------------|
| 1. Negative battery cable | 4. Negative battery post cap |
| 2. Wing nut | 5. Carriage bolt |
| 3. Washer | 6. Negative battery post |

2

Installing the Rear Hitch

Parts needed for this procedure:

1	Rear hitch
2	Bolt (5/16 x 1 inch)
2	Locknut (5/16 inch)

Procedure

1. Install the bracket to the frame as shown in Figure 2.
2. Torque the bolts between 19.8 and 25.4 N-m (175 and 225 in-lb).

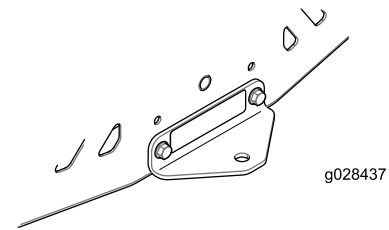
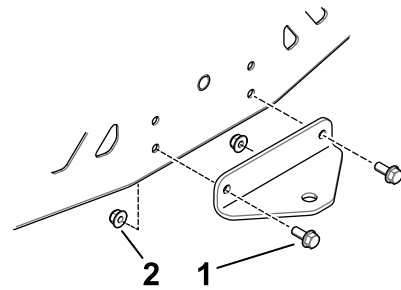


Figure 2

- | | |
|----------|-------------|
| 1. Bolts | 2. Locknuts |
|----------|-------------|

3

Installing the Steering Wheel

Parts needed for this procedure:

1	Steering wheel
1	Top cover
1	Locknut
1	Rear cover
2	Screws

Procedure

1. Rotate the steering column up to the user position (Figure 3).

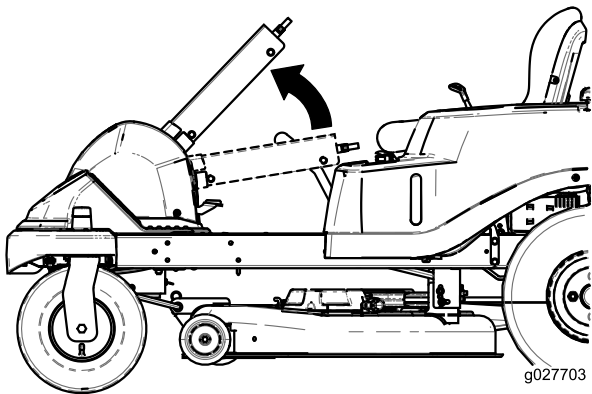


Figure 3

g027703
g027705

2. Position the steering wheel as shown in Figure 5.
3. Install the steering wheel and top cover to the steering column with the locknut (Figure 4).
4. Torque the locknut between 36.6 and 44.7 N-m (27 and 33 ft-lb).
5. Install the steering-wheel cover.

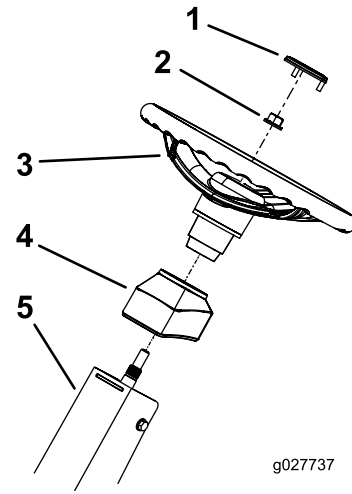


Figure 4

g027737

g027737

1. Steering-wheel cover
2. Locknut
3. Steering wheel
4. Top cover
5. Column

6. Install the rear cover to the back of the footrest with the tabs at the bottom inside the footrest and the 2 screws in the top (Figure 5).

Note: Ensure the tabs of the rear cover are inside the footrest.

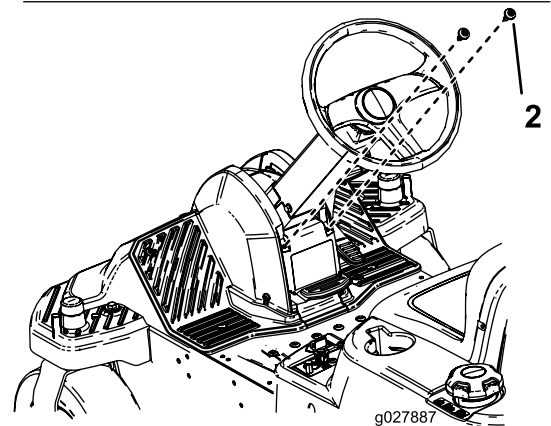
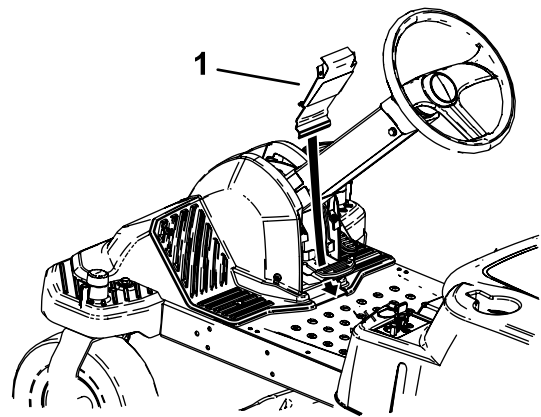


Figure 5

g027887

g027887

1. Back cover
2. Screws

4

Installing the Seat Assembly

Parts needed for this procedure:

1	Seat assembly
1	Seat rod
2	Hairpin cotter pins
2	Spacers (certain models only)

Procedure

1. Install the seat assembly to the frame with the seat rod, 2 hairpin cotter pins, and 2 spacers (certain models only) as shown in [Figure 6](#).

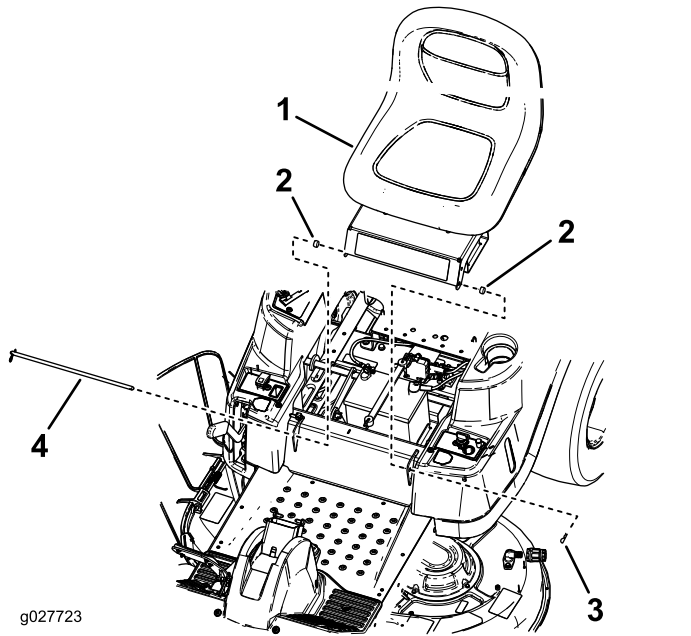


Figure 6

1. Seat assembly
2. Spacers
3. Hairpin cotter
4. Seat rod with hairpin cotter installed

2. Connect the seat switch ([Figure 7](#)).

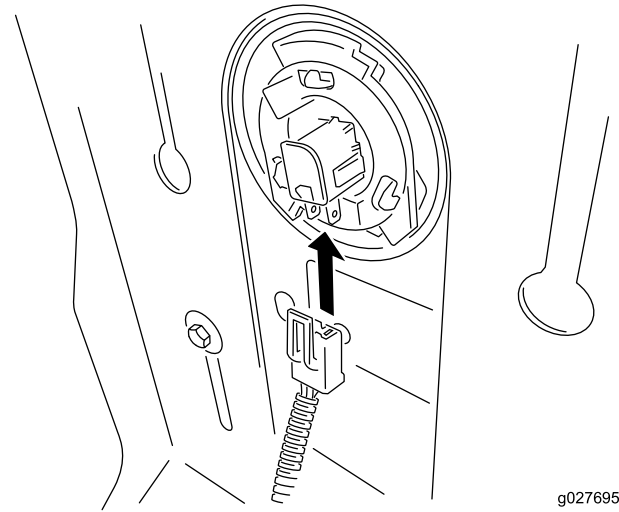


Figure 7

3. Route the wire harness to the right side of the machine and push the plastic connector into the seat frame hole ([Figure 8](#)).

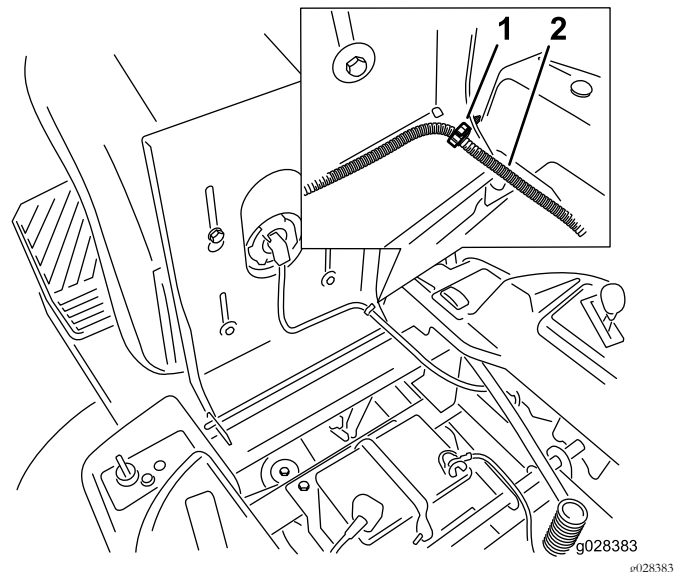


Figure 8

1. Plastic connector in seat frame hole
2. Wire harness

5

Installing the Grass Deflector

Parts needed for this procedure:

1	Grass deflector (if not installed)
---	------------------------------------

Procedure

If the grass deflector is not installed, remove it from the packaging and install it onto the mower deck. Refer to your *Operator's Manual* for the correct procedure to install the grass deflector.

6

Checking the Mower Adjustment

No Parts Required

Procedure

Adjust the side-to-side level and the front-to-rear blade slope. Use the relevant procedures in the *Operator's Manual* to verify that the deck is level, and make any adjustments as necessary. Refer to the *Operator's Manual* for more information.

7

Completing the Setup

Parts needed for this procedure:

1	Ignition key
1	Hose coupling (not included with CE models)
1	<i>Operator's Manual</i>
1	<i>Engine Owner's Manual</i> (non-Toro engines)
1	KeyChoice® key (blue)

Procedure

Checking the Tire Pressure

Check the front and rear tires for proper inflation; refer to Checking the Tire Pressure in the *Operator's Manual* for the recommended inflation pressure.

Checking the Side-Discharge Chute

Remove the packing restraint holding the side discharge chute up and lower the chute into place.

Checking the Engine-Oil Level

Before you start the engine and use the machine, check the oil level in the engine crankcase; refer to Checking the Oil Level in the *Operator's Manual*.

Keep all the following items with the machine:

- Ignition key
- KeyChoice key (blue)
- Hose coupling (not included in CE models)
- *Operator's Manual*
- *Engine Owner's Manual* (non-Toro engines)

Notes:

Notes:



Count on it.